

# Veritas Storage Foundation™ Cluster File System High Availability 6.0.1 Installation Guide - Linux

# Veritas Storage Foundation™ Cluster File System High Availability Installation Guide

The software described in this book is furnished under a license agreement and may be used only in accordance with the terms of the agreement.

Product version: 6.0.1

Document version: 6.0.1 Rev 7

## Legal Notice

Copyright © 2015 Symantec Corporation. All rights reserved.

Symantec, the Symantec Logo, the Checkmark Logo, Veritas, Veritas Storage Foundation, CommandCentral, NetBackup, Enterprise Vault, and LiveUpdate are trademarks or registered trademarks of Symantec Corporation or its affiliates in the U.S. and other countries. Other names may be trademarks of their respective owners.

The product described in this document is distributed under licenses restricting its use, copying, distribution, and decompilation/reverse engineering. No part of this document may be reproduced in any form by any means without prior written authorization of Symantec Corporation and its licensors, if any.

THE DOCUMENTATION IS PROVIDED "AS IS" AND ALL EXPRESS OR IMPLIED CONDITIONS, REPRESENTATIONS AND WARRANTIES, INCLUDING ANY IMPLIED WARRANTY OF MERCHANTABILITY, FITNESS FOR A PARTICULAR PURPOSE OR NON-INFRINGEMENT, ARE DISCLAIMED, EXCEPT TO THE EXTENT THAT SUCH DISCLAIMERS ARE HELD TO BE LEGALLY INVALID. SYMANTEC CORPORATION SHALL NOT BE LIABLE FOR INCIDENTAL OR CONSEQUENTIAL DAMAGES IN CONNECTION WITH THE FURNISHING, PERFORMANCE, OR USE OF THIS DOCUMENTATION. THE INFORMATION CONTAINED IN THIS DOCUMENTATION IS SUBJECT TO CHANGE WITHOUT NOTICE.

The Licensed Software and Documentation are deemed to be commercial computer software as defined in FAR 12.212 and subject to restricted rights as defined in FAR Section 52.227-19 "Commercial Computer Software - Restricted Rights" and DFARS 227.7202, "Rights in Commercial Computer Software or Commercial Computer Software Documentation", as applicable, and any successor regulations. Any use, modification, reproduction release, performance, display or disclosure of the Licensed Software and Documentation by the U.S. Government shall be solely in accordance with the terms of this Agreement.

Symantec Corporation  
350 Ellis Street  
Mountain View, CA 94043

<http://www.symantec.com>

# Technical Support

Symantec Technical Support maintains support centers globally. Technical Support's primary role is to respond to specific queries about product features and functionality. The Technical Support group also creates content for our online Knowledge Base. The Technical Support group works collaboratively with the other functional areas within Symantec to answer your questions in a timely fashion. For example, the Technical Support group works with Product Engineering and Symantec Security Response to provide alerting services and virus definition updates.

Symantec's support offerings include the following:

- A range of support options that give you the flexibility to select the right amount of service for any size organization
- Telephone and/or Web-based support that provides rapid response and up-to-the-minute information
- Upgrade assurance that delivers software upgrades
- Global support purchased on a regional business hours or 24 hours a day, 7 days a week basis
- Premium service offerings that include Account Management Services

For information about Symantec's support offerings, you can visit our website at the following URL:

[www.symantec.com/business/support/index.jsp](http://www.symantec.com/business/support/index.jsp)

All support services will be delivered in accordance with your support agreement and the then-current enterprise technical support policy.

## Contacting Technical Support

Customers with a current support agreement may access Technical Support information at the following URL:

[www.symantec.com/business/support/contact\\_techsupp\\_static.jsp](http://www.symantec.com/business/support/contact_techsupp_static.jsp)

Before contacting Technical Support, make sure you have satisfied the system requirements that are listed in your product documentation. Also, you should be at the computer on which the problem occurred, in case it is necessary to replicate the problem.

When you contact Technical Support, please have the following information available:

- Product release level
- Hardware information

- Available memory, disk space, and NIC information
- Operating system
- Version and patch level
- Network topology
- Router, gateway, and IP address information
- Problem description:
  - Error messages and log files
  - Troubleshooting that was performed before contacting Symantec
  - Recent software configuration changes and network changes

## Licensing and registration

If your Symantec product requires registration or a license key, access our technical support Web page at the following URL:

[www.symantec.com/business/support/](http://www.symantec.com/business/support/)

## Customer service

Customer service information is available at the following URL:

[www.symantec.com/business/support/](http://www.symantec.com/business/support/)

Customer Service is available to assist with non-technical questions, such as the following types of issues:

- Questions regarding product licensing or serialization
- Product registration updates, such as address or name changes
- General product information (features, language availability, local dealers)
- Latest information about product updates and upgrades
- Information about upgrade assurance and support contracts
- Information about the Symantec Buying Programs
- Advice about Symantec's technical support options
- Nontechnical presales questions
- Issues that are related to CD-ROMs or manuals

## Support agreement resources

If you want to contact Symantec regarding an existing support agreement, please contact the support agreement administration team for your region as follows:

Asia-Pacific and Japan [customercare\\_apac@symantec.com](mailto:customercare_apac@symantec.com)

Europe, Middle-East, and Africa [semea@symantec.com](mailto:semea@symantec.com)

North America and Latin America [supportolutions@symantec.com](mailto:supportsolutions@symantec.com)

## Documentation

Product guides are available on the media in PDF format. Make sure that you are using the current version of the documentation. The document version appears on page 2 of each guide. The latest product documentation is available on the Symantec website.

<https://sort.symantec.com/documents>

Your feedback on product documentation is important to us. Send suggestions for improvements and reports on errors or omissions. Include the title and document version (located on the second page), and chapter and section titles of the text on which you are reporting. Send feedback to:

[doc\\_feedback@symantec.com](mailto:doc_feedback@symantec.com)

For information regarding the latest HOWTO articles, documentation updates, or to ask a question regarding product documentation, visit the Storage and Clustering Documentation forum on Symantec Connect.

<https://www-secure.symantec.com/connect/storage-management/forums/storage-and-clustering-documentation>

## About Symantec Connect

Symantec Connect is the peer-to-peer technical community site for Symantec's enterprise customers. Participants can connect and share information with other product users, including creating forum posts, articles, videos, downloads, blogs and suggesting ideas, as well as interact with Symantec product teams and Technical Support. Content is rated by the community, and members receive reward points for their contributions.

<http://www.symantec.com/connect/storage-management>

# Contents

Technical Support .....	4
Section 1      Installation overview and planning .....	21
Chapter 1      Introducing Storage Foundation Cluster File System High Availability .....	22
About Veritas Storage Foundation Cluster File System High Availability .....	22
About I/O fencing .....	23
About Veritas Operations Manager .....	24
About Veritas Operations Manager .....	24
About configuring SFCFSHA clusters for data integrity .....	25
About I/O fencing for Storage Foundation Cluster File System High Availability in virtual machines that do not support SCSI-3 PR .....	26
About I/O fencing components .....	26
About data disks .....	27
About coordination points .....	27
About preferred fencing .....	28
Chapter 2      System requirements .....	29
Release notes .....	29
Hardware compatibility list (HCL) .....	30
Supported operating systems .....	30
Veritas Storage Foundation Cluster File System High Availability hardware requirements .....	30
I/O fencing requirements .....	31
Coordinator disk requirements for I/O fencing .....	31
CP server requirements .....	32
Non-SCSI-3 I/O fencing requirements .....	35
Database requirements .....	36
VxVM licenses .....	36
Cross-Platform Data Sharing licensing .....	37
Disk space requirements .....	37

	Synchronizing time on Cluster File Systems .....	37
	Discovering product versions and various requirement information .....	37
	Number of nodes supported .....	38
Chapter 3	Planning to install SFCFSHA .....	39
	About planning for SFCFSHA installation .....	39
	About installation and configuration methods .....	40
	About response files .....	41
	About the Veritas installer .....	42
	Downloading the Veritas Storage Foundation Cluster File System High Availability software .....	44
	Optimizing LLT media speed settings on private NICs .....	45
	Guidelines for setting the media speed of the LLT interconnects .....	45
	Verifying network interfaces for persistent names .....	46
	Prerequisites for installing Veritas Storage Foundation Cluster File System High Availability .....	46
	Sample SFCFSHA configuration on a Fibre Channel fabric .....	47
	About the VRTSspt RPM troubleshooting tools .....	48
Chapter 4	Licensing SFCFSHA .....	49
	About Veritas product licensing .....	49
	Setting or changing the product level for keyless licensing .....	50
	Installing Veritas product license keys .....	52
Section 2	Preinstallation tasks .....	53
Chapter 5	Preparing to install SFCFSHA .....	54
	Installation preparation overview .....	54
	About using ssh or rsh with the Veritas installer .....	55
	Setting up shared storage .....	55
	Setting up shared storage: SCSI .....	56
	Setting up shared storage: Fibre Channel .....	57
	Setting environment variables .....	59
	Mounting the product disc .....	59
	Assessing the system for installation readiness .....	60
	About Symantec Operations Readiness Tools .....	61
	Prechecking your systems using the Veritas installer .....	61



Section 3	Installation using the script-based installer .....	62
Chapter 6	Installing SFCFSHA .....	63
	Installing Storage Foundation Cluster File System High Availability using the product installer .....	63
Chapter 7	Preparing to configure SFCFSHA clusters for data integrity .....	67
	About planning to configure I/O fencing .....	67
	Typical SFCFSHA cluster configuration with server-based I/O fencing .....	71
	Recommended CP server configurations .....	72
	Setting up the CP server .....	75
	Planning your CP server setup .....	75
	Installing the CP server using the installer .....	76
	Configuring the CP server cluster in secure mode .....	77
	Setting up shared storage for the CP server database .....	78
	Configuring the CP server using the installer program .....	79
	Configuring the CP server manually .....	88
	Verifying the CP server configuration .....	90
	Configuring the CP server using the Web-based installer .....	90
Chapter 8	Configuring SFCFSHA .....	92
	Overview of tasks to configure Storage Foundation Cluster File System High Availability using the script-based installer .....	93
	Starting the software configuration .....	94
	Specifying systems for configuration .....	95
	Configuring the cluster name .....	96
	Configuring private heartbeat links .....	96
	Configuring the virtual IP of the cluster .....	99
	Configuring Veritas Storage Foundation Cluster File System High Availability in secure mode .....	101
	Configuring a secure cluster node by node .....	102
	Configuring the first node .....	102
	Configuring the remaining nodes .....	103
	Completing the secure cluster configuration .....	104
	Adding VCS users .....	106
	Configuring SMTP email notification .....	107
	Configuring SNMP trap notification .....	108

	Configuring global clusters .....	110
	Completing the SFCFSHA configuration .....	111
	Verifying the NIC configuration .....	112
	Verifying and updating licenses on the system .....	113
	Checking licensing information on the system .....	113
	Updating product licenses .....	113
	Configuring the Storage Foundation for Databases repository database after installation .....	115
Chapter 9	Configuring SFCFSHA clusters for data integrity .....	116
	Setting up disk-based I/O fencing using installsfcfsha .....	116
	Configuring disk-based I/O fencing using installsfcfsha .....	116
	Initializing disks as VxVM disks .....	119
	Checking shared disks for I/O fencing .....	120
	Setting up server-based I/O fencing using installsfcfsha .....	124
	Setting up non-SCSI-3 server-based I/O fencing in virtual environments using installsfcfsha .....	134
	Enabling or disabling the preferred fencing policy .....	135
Section 4	Installation using the Web-based installer .....	138
Chapter 10	Installing SFCFSHA .....	139
	About the Web-based installer .....	139
	Before using the Veritas Web-based installer .....	140
	Starting the Veritas Web-based installer .....	140
	Obtaining a security exception on Mozilla Firefox .....	141
	Performing a pre-installation check with the Veritas Web-based installer .....	142
	Installing SFCFSHA with the Web-based installer .....	142
Chapter 11	Configuring SFCFSHA .....	145
	Configuring Storage Foundation Cluster File System High Availability using the Web-based installer .....	145
	Configuring Storage Foundation Cluster File System High Availability for data integrity using the Web-based installer .....	150

Section 5	Automated installation using response files .....	159
Chapter 12	Performing an automated SFCFSHA installation .....	160
	Installing SFCFSHA using response files .....	160
	Response file variables to install Veritas Storage Foundation Cluster File System High Availability .....	161
	Sample response file for Veritas Storage Foundation Cluster File System High Availability installation .....	163
Chapter 13	Performing an automated SFCFSHA configuration .....	165
	Configuring SFCFSHA using response files .....	165
	Response file variables to configure Veritas Storage Foundation Cluster File System High Availability .....	166
	Sample response file for Veritas Storage Foundation Cluster File System High Availability configuration .....	175
Chapter 14	Performing an automated I/O fencing configuration using response files .....	177
	Configuring I/O fencing using response files .....	177
	Response file variables to configure disk-based I/O fencing .....	178
	Sample response file for configuring disk-based I/O fencing .....	181
	Configuring CP server using response files .....	182
	Response file variables to configure CP server .....	182
	Sample response file for configuring the CP server on single node VCS cluster .....	184
	Sample response file for configuring the CP server on SFHA cluster .....	185
	Response file variables to configure server-based I/O fencing .....	186
	Sample response file for configuring server-based I/O fencing .....	187
	Response file variables to configure non-SCSI-3 server-based I/O fencing .....	188
	Sample response file for configuring non-SCSI-3 server-based I/O fencing .....	189

Section 6	Installation using operating system-specific methods .....	190
Chapter 15	Installing SFCFSHA using operating system-specific methods .....	191
	Installing SFCFSHA using Kickstart .....	191
	Sample Kickstart configuration file .....	194
	Installing Veritas Storage Foundation Cluster File System High Availability using yum .....	196
Chapter 16	Configuring SFCFSHA using operating system-specific methods .....	202
	Configuring Veritas Storage Foundation Cluster File System High Availability manually .....	202
	Configuring Veritas Volume Manager .....	202
	Configuring Veritas File System .....	202
Chapter 17	Manually configuring SFCFSHA clusters for data integrity .....	205
	Setting up disk-based I/O fencing manually .....	205
	Identifying disks to use as coordinator disks .....	206
	Setting up coordinator disk groups .....	206
	Creating I/O fencing configuration files .....	207
	Modifying VCS configuration to use I/O fencing .....	208
	Verifying I/O fencing configuration .....	210
	Setting up server-based I/O fencing manually .....	210
	Preparing the CP servers manually for use by the SFCFSHA cluster .....	211
	Configuring server-based fencing on the SFCFSHA cluster manually .....	214
	Configuring CoordPoint agent to monitor coordination points .....	220
	Verifying server-based I/O fencing configuration .....	222
	Setting up non-SCSI-3 fencing in virtual environments manually .....	223
	Sample /etc/vxfenmode file for non-SCSI-3 fencing .....	225

Section 7	Upgrade of SFCFSHA .....	229
Chapter 18	Planning to upgrade SFCFSHA .....	230
	Upgrade methods for SFCFSHA .....	230
	Supported upgrade paths for SFCFSHA 6.0.1 .....	231
	About using the installer to upgrade when the root disk is encapsulated .....	236
	Preparing to upgrade SFCFSHA .....	236
	Getting ready for the upgrade .....	236
	Creating backups .....	237
	Determining if the root disk is encapsulated .....	238
	Pre-upgrade planning for Veritas Volume Replicator .....	238
	Preparing to upgrade VVR when VCS agents are configured .....	241
	Upgrading the array support .....	245
Chapter 19	Performing a typical Storage Foundation Cluster File System High Availability upgrade using the installer .....	247
	Performing a full upgrade .....	247
	Ensuring the file systems are clean .....	247
	Performing the upgrade .....	248
Chapter 20	Performing a rolling upgrade of SFCFSHA .....	254
	Performing a rolling upgrade using the installer .....	254
	About rolling upgrades .....	254
	Supported rolling upgrade paths .....	257
	Performing a rolling upgrade using the script-based installer .....	257
	Performing a rolling upgrade of SFCFSHA using the Web-based installer .....	259
Chapter 21	Performing a phased upgrade of SFCFSHA .....	262
	Performing a phased upgrade of SFCFSHA .....	262
	Prerequisites for a phased upgrade .....	262
	Planning for a phased upgrade .....	263
	Phased upgrade limitations .....	263
	Moving the service groups to the second subcluster .....	263
	Upgrading the SFCFSHA stack on the first subcluster .....	266
	Preparing the second subcluster .....	267
	Activating the first subcluster .....	270
	Upgrading the operating system on the second subcluster .....	271

	Upgrading the second subcluster .....	271
	Completing the phased upgrade .....	272
Chapter 22	Performing an automated SFCFSHA upgrade using response files .....	274
	Upgrading SFCFSHA using response files .....	274
	Response file variables to upgrade Veritas Storage Foundation Cluster File System High Availability .....	275
	Sample response file for upgrading Veritas Storage Foundation Cluster File System High Availability .....	276
Chapter 23	Upgrading Veritas Volume Replicator .....	278
	Upgrading Veritas Volume Replicator .....	278
	Upgrading VVR without disrupting replication .....	278
Chapter 24	Migrating from SFHA to SFCFSHA .....	281
	Migrating from SFHA to SFCFSHA 6.0.1 .....	281
Chapter 25	Performing post-upgrade tasks .....	284
	Re-joining the backup boot disk group into the current disk group .....	284
	Reverting to the backup boot disk group after an unsuccessful upgrade .....	285
Section 8	Post-installation tasks .....	286
Chapter 26	Verifying the SFCFSHA installation .....	287
	Performing a postcheck on a node .....	287
	Verifying that the products were installed .....	288
	Installation log files .....	288
	Using the installation log file .....	288
	Using the summary file .....	289
	Checking Veritas Volume Manager processes .....	289
	Verifying agent configuration for Storage Foundation Cluster File System High Availability .....	289
	Configuring VCS for Storage Foundation Cluster File System High Availability .....	290
	main.cf file .....	290
	Storage Foundation Cluster File System HA Only .....	291
	Veritas Cluster Server application failover services .....	292

	Configuring the cluster UUID when creating a cluster manually .....	292
	About the cluster UUID .....	292
	Verifying the LLT, GAB, and VCS configuration files .....	292
	Verifying LLT, GAB, and cluster operation .....	293
	Verifying LLT .....	293
	Verifying GAB .....	295
	Verifying the cluster .....	297
	Verifying the cluster nodes .....	298
Section 9	Configuration of disaster recovery environments .....	301
Chapter 27	Configuring disaster recovery environments .....	302
	Disaster recovery options for SFCFSHA .....	302
	About setting up a campus cluster for disaster recovery .....	303
	About setting up a global cluster environment for SFCFSHA .....	305
	About configuring a parallel global cluster using Veritas Volume Replicator (VVR) for replication .....	306
Section 10	Uninstallation of SFCFSHA .....	309
Chapter 28	Uninstalling Storage Foundation Cluster File System High Availability .....	310
	Shutting down cluster operations .....	310
	Removing VxFS file systems .....	311
	Removing rootability .....	311
	Moving volumes to disk partitions .....	312
	Moving volumes onto disk partitions using VxVM .....	312
	Disabling the agents on a system .....	314
	Removing the Replicated Data Set .....	315
	Uninstalling SFCFSHA RPMs using the script-based installer .....	316
	Uninstalling SFCFSHA with the Veritas Web-based installer .....	318
	Removing license files (Optional) .....	319
	Removing the CP server configuration using the installer program .....	319
	Removing the Storage Foundation for Databases (SFDB) repository after removing the product .....	321

Chapter 29	Uninstalling using response files .....	324
	Uninstalling SFCFSHA using response files .....	324
	Response file variables to uninstall Veritas Storage Foundation Cluster File System High Availability .....	325
	Sample response file for Veritas Storage Foundation Cluster File System High Availability uninstallation .....	326
Section 11	Adding and removing nodes .....	327
Chapter 30	Adding a node to SFCFSHA clusters .....	328
	About adding a node to a cluster .....	328
	Before adding a node to a cluster .....	329
	Adding a node to a cluster using the SFCFSHA installer .....	332
	Adding a node using the Web-based installer .....	335
	Adding the node to a cluster manually .....	336
	Starting Veritas Volume Manager (VxVM) on the new node .....	337
	Configuring cluster processes on the new node .....	337
	Setting up the node to run in secure mode .....	339
	Starting fencing on the new node .....	342
	After adding the new node .....	342
	Configuring Cluster Volume Manager (CVM) and Cluster File System (CFS) on the new node .....	343
	Configuring the ClusterService group for the new node .....	344
	Configuring server-based fencing on the new node .....	345
	Adding the new node to the vxfen service group .....	346
	Updating the Storage Foundation for Databases (SFDB) repository after adding a node .....	347
	Sample configuration file for adding a node to the cluster .....	348
Chapter 31	Removing a node from SFCFSHA clusters .....	352
	About removing a node from a cluster .....	352
	Removing a node from a cluster .....	353
	Modifying the VCS configuration files on existing nodes .....	354
	Modifying the Cluster Volume Manager (CVM) configuration on the existing nodes to remove references to the deleted node .....	357
	Removing the node configuration from the CP server .....	357
	Removing security credentials from the leaving node .....	358
	Updating the Storage Foundation for Databases (SFDB) repository after removing a node .....	358
	Sample configuration file for removing a node from the cluster .....	359



Section 12	Installation reference .....	362
Appendix A	Installation scripts .....	363
	Installation script options .....	363
	About using the postcheck option .....	368
Appendix B	Tunable files for installation .....	371
	About setting tunable parameters using the installer or a response file .....	371
	Setting tunables for an installation, configuration, or upgrade .....	372
	Setting tunables with no other installer-related operations .....	373
	Setting tunables with an un-integrated response file .....	374
	Preparing the tunables file .....	375
	Setting parameters for the tunables file .....	375
	Tunables value parameter definitions .....	376
Appendix C	Configuration files .....	383
	About the LLT and GAB configuration files .....	383
	About the AMF configuration files .....	385
	About I/O fencing configuration files .....	386
	Sample configuration files for CP server .....	388
	CP server hosted on a single node main.cf file .....	389
	CP server hosted on an SFHA cluster main.cf file .....	391
	Sample main.cf file for CP server hosted on a single node that runs VCS .....	395
	Sample main.cf file for CP server hosted on a two-node SFHA cluster .....	397
	Sample CP server configuration (/etc/vxcps.conf) file output .....	400
Appendix D	Configuring the secure shell or the remote shell for communications .....	401
	About configuring secure shell or remote shell communication modes before installing products .....	401
	Manually configuring and passwordless ssh .....	402
	Restarting the ssh session .....	406
	Enabling rsh for Linux .....	406

Appendix E	Storage Foundation Cluster File System High Availability components .....	408
	Veritas Storage Foundation Cluster File System High Availability installation RPMs .....	408
	Veritas Cluster Server installation RPMs .....	411
	Veritas Cluster File System installation RPMs .....	412
	Veritas Storage Foundation obsolete and reorganized installation RPMs .....	413
Appendix F	High availability agent information .....	416
	About agents .....	416
	VCS agents included within SFCFSHA .....	417
	Enabling and disabling intelligent resource monitoring for agents manually .....	417
	Administering the AMF kernel driver .....	419
	CVMCluster agent .....	420
	Entry points for CVMCluster agent .....	421
	Attribute definition for CVMCluster agent .....	421
	CVMCluster agent type definition .....	422
	CVMCluster agent sample configuration .....	422
	CVMVxconfigd agent .....	423
	Entry points for CVMVxconfigd agent .....	423
	Attribute definition for CVMVxconfigd agent .....	424
	CVMVxconfigd agent type definition .....	425
	CVMVxconfigd agent sample configuration .....	426
	CVMVolDg agent .....	426
	Entry points for CVMVolDg agent .....	426
	Attribute definition for CVMVolDg agent .....	427
	CVMVolDg agent type definition .....	428
	CVMVolDg agent sample configuration .....	429
	CFSMount agent .....	429
	Entry points for CFSMount agent .....	430
	Attribute definition for CFSMount agent .....	430
	CFSMount agent type definition .....	432
	CFSMount agent sample configuration .....	433
	CFSfsckd agent .....	433
	Entry points for CFSfsckd agent .....	433
	Attribute definition for CFSfsckd agent .....	434
	CFSfsckd agent type definition .....	435
	CFSfsckd agent sample configuration .....	436

Appendix G	Troubleshooting the SFCFSHA installation .....	437
	Restarting the installer after a failed connection .....	437
	What to do if you see a licensing reminder .....	438
	Storage Foundation Cluster File System High Availability installation	
	issues .....	438
	Incorrect permissions for root on remote system .....	438
	Inaccessible system .....	440
	Storage Foundation Cluster File System High Availability	
	problems .....	440
	Unmount failures .....	440
	Mount failures .....	440
	Command failures .....	441
	Performance issues .....	442
	High availability issues .....	442
	Installer cannot create UUID for the cluster .....	443
	The vxfsntshdw utility fails when SCSI TEST UNIT READY command	
	fails .....	444
	Troubleshooting CP server .....	444
	Troubleshooting issues related to the CP server service	
	group .....	445
	Checking the connectivity of CP server .....	445
	Troubleshooting server-based fencing on the SFCFSHA cluster	
	nodes .....	445
	Issues during fencing startup on SFCFSHA cluster nodes set up	
	for server-based fencing .....	446
	Issues during online migration of coordination points .....	446
	Troubleshooting the webinstaller .....	447
Appendix H	Sample SFCFSHA cluster setup diagrams for CP	
	server-based I/O fencing .....	449
	Configuration diagrams for setting up server-based I/O fencing .....	449
	Two unique client clusters served by 3 CP servers .....	449
	Client cluster served by highly available CPS and 2 SCSI-3	
	disks .....	450
	Two node campus cluster served by remote CP server and 2	
	SCSI-3 disks .....	452
	Multiple client clusters served by highly available CP server and	
	2 SCSI-3 disks .....	454

Appendix I	Configuring LLT over UDP .....	456
	Using the UDP layer for LLT .....	456
	When to use LLT over UDP .....	456
	Manually configuring LLT over UDP using IPv4 .....	456
	Broadcast address in the /etc/lldtab file .....	457
	The link command in the /etc/lldtab file .....	458
	The set-addr command in the /etc/lldtab file .....	458
	Selecting UDP ports .....	459
	Configuring the netmask for LLT .....	459
	Configuring the broadcast address for LLT .....	460
	Sample configuration: direct-attached links .....	460
	Sample configuration: links crossing IP routers .....	462
	Using the UDP layer of IPv6 for LLT .....	463
	When to use LLT over UDP .....	463
	Manually configuring LLT over UDP using IPv6 .....	464
	The link command in the /etc/lldtab file .....	464
	The set-addr command in the /etc/lldtab file .....	465
	Selecting UDP ports .....	465
	Sample configuration: direct-attached links .....	466
	Sample configuration: links crossing IP routers .....	467
Appendix J	Compatibility issues when installing Storage Foundation Cluster File System High Availability with other products .....	469
	Installing, uninstalling, or upgrading Storage Foundation products when other Veritas products are present .....	470
	Installing, uninstalling, or upgrading Storage Foundation products when VOM is already present .....	470
	Installing, uninstalling, or upgrading Storage Foundation products when ApplicationHA is already present .....	470
	Installing, uninstalling, or upgrading Storage Foundation products when NetBackup is already present .....	471
Index .....		472

# Installation overview and planning

- [Chapter 1. Introducing Storage Foundation Cluster File System High Availability](#)
- [Chapter 2. System requirements](#)
- [Chapter 3. Planning to install SFCFSHA](#)
- [Chapter 4. Licensing SFCFSHA](#)

# Introducing Storage Foundation Cluster File System High Availability

This chapter includes the following topics:

- [About Veritas Storage Foundation Cluster File System High Availability](#)
- [About I/O fencing](#)
- [About Veritas Operations Manager](#)
- [About configuring SFCFSA clusters for data integrity](#)
- [About I/O fencing for Storage Foundation Cluster File System High Availability in virtual machines that do not support SCSI-3 PR](#)
- [About I/O fencing components](#)

## About Veritas Storage Foundation Cluster File System High Availability

Veritas Storage Foundation Cluster File System High Availability by Symantec extends Veritas Storage Foundation to support shared data in a storage area network (SAN) environment. Using Storage Foundation Cluster File System High Availability, multiple servers can concurrently access shared storage and files transparently to applications.

Veritas Storage Foundation Cluster File System High Availability also provides increased automation and intelligent management of availability and performance.

Veritas Storage Foundation Cluster File System High Availability includes Veritas Cluster Server, which adds high availability functionality to the product.

The Veritas File Replicator feature can also be licensed with this product.

To install the product, follow the instructions in the *Veritas Storage Foundation Cluster File System High Availability Installation Guide*.

For information on high availability environments, read the Veritas Cluster Server documentation.

## About I/O fencing

I/O fencing protects the data on shared disks when nodes in a cluster detect a change in the cluster membership that indicates a split-brain condition.

The fencing operation determines the following:

- The nodes that must retain access to the shared storage
- The nodes that must be ejected from the cluster

This decision prevents possible data corruption. When you install Storage Foundation Cluster File System High Availability, the installer installs the `VRTSvxXfen` RPM, which includes the I/O fencing driver. To protect data on shared disks, you must configure I/O fencing after you install and configure Storage Foundation Cluster File System High Availability.

I/O fencing technology uses coordination points for arbitration in the event of a network partition.

I/O fencing coordination points can be coordinator disks or coordination point servers (CP servers) or both. You can configure disk-based or server-based I/O fencing:

Disk-based I/O fencing

I/O fencing that uses coordinator disks is referred to as disk-based I/O fencing.

Disk-based I/O fencing ensures data integrity in a single cluster.

#### Server-based I/O fencing

I/O fencing that uses at least one CP server system is referred to as server-based I/O fencing.

Server-based fencing can include only CP servers, or a mix of CP servers and coordinator disks.

Server-based I/O fencing ensures data integrity in clusters.

In virtualized environments that do not support SCSI-3 PR, Storage Foundation Cluster File System High Availability supports non-SCSI-3 server-based I/O fencing.

See [“About I/O fencing for Storage Foundation Cluster File System High Availability in virtual machines that do not support SCSI-3 PR”](#) on page 26.

See [“About planning to configure I/O fencing”](#) on page 67.

---

**Note:** Symantec recommends that you use I/O fencing to protect your cluster against split-brain situations.

---

See the *Veritas Storage Foundation Cluster File System High Availability Administrator's Guide*.

## About Veritas Operations Manager

Veritas Operations Manager by Symantec gives you a single, centralized management console for the Veritas Storage Foundation and High Availability products. You can use it to monitor, visualize, and manage storage and cluster resources, and generate reports about them. Veritas Operations Manager lets administrators centrally manage diverse datacenter environments.

## About Veritas Operations Manager

Veritas Operations Manager provides a centralized management console for Veritas Storage Foundation and High Availability products. You can use Veritas Operations Manager to monitor, visualize, and manage storage resources and generate reports.

Symantec recommends using Veritas Operations Manager (VOM) to manage Storage Foundation and Cluster Server environments.

You can download Veritas Operations Manager at no charge at <http://go.symantec.com/vom>.



Refer to the Veritas Operations Manager documentation for installation, upgrade, and configuration instructions.

The Veritas Enterprise Administrator (VEA) console is no longer packaged with Storage Foundation products. If you want to continue using VEA, a software version is available for download from <http://www.symantec.com/operations-manager/support>. Veritas Storage Foundation Management Server is deprecated.

If you want to manage a single cluster using Cluster Manager (Java Console), a version is available for download from [https://www4.symantec.com/Vrt/offer?a\\_id=89446](https://www4.symantec.com/Vrt/offer?a_id=89446). You cannot manage the new features of this release using the Java Console. Veritas Cluster Server Management Console is deprecated.

## About configuring SFCFSHA clusters for data integrity

When a node fails, SFCFSHA takes corrective action and configures its components to reflect the altered membership. If an actual node failure did not occur and if the symptoms were identical to those of a failed node, then such corrective action would cause a split-brain situation.

Some example scenarios that can cause such split-brain situations are as follows:

- **Broken set of private networks**

If a system in a two-node cluster fails, the system stops sending heartbeats over the private interconnects. The remaining node then takes corrective action. The failure of the private interconnects, instead of the actual nodes, presents identical symptoms and causes each node to determine its peer has departed. This situation typically results in data corruption because both nodes try to take control of data storage in an uncoordinated manner.
- **System that appears to have a system-hang**

If a system is so busy that it appears to stop responding, the other nodes could declare it as dead. This declaration may also occur for the nodes that use the hardware that supports a "break" and "resume" function. When a node drops to PROM level with a break and subsequently resumes operations, the other nodes may declare the system dead. They can declare it dead even if the system later returns and begins write operations.

I/O fencing is a feature that prevents data corruption in the event of a communication breakdown in a cluster. SFCFSHA uses I/O fencing to remove the risk that is associated with split-brain. I/O fencing allows write access for members of the active cluster. It blocks access to storage from non-members so that even a node that is alive is unable to cause damage.

After you install and configure SFCFSHA, you must configure I/O fencing in SFCFSHA to ensure data integrity.

See [“About planning to configure I/O fencing”](#) on page 67.

## About I/O fencing for Storage Foundation Cluster File System High Availability in virtual machines that do not support SCSI-3 PR

In a traditional I/O fencing implementation, where the coordination points are coordination point servers (CP servers) or coordinator disks, Veritas Clustered Volume Manager and Veritas I/O fencing modules provide SCSI-3 persistent reservation (SCSI-3 PR) based protection on the data disks. This SCSI-3 PR protection ensures that the I/O operations from the losing node cannot reach a disk that the surviving sub-cluster has already taken over.

See the *Veritas Cluster Server Administrator's Guide* for more information on how I/O fencing works.

In virtualized environments that do not support SCSI-3 PR, Storage Foundation Cluster File System High Availability attempts to provide reasonable safety for the data disks. Storage Foundation Cluster File System High Availability requires you to configure non-SCSI-3 server-based I/O fencing in such environments. Non-SCSI-3 fencing uses CP servers as coordination points with some additional configuration changes to support I/O fencing in such environments.

See [“Setting up non-SCSI-3 server-based I/O fencing in virtual environments using installsfcfsha”](#) on page 134.

See [“Setting up non-SCSI-3 fencing in virtual environments manually”](#) on page 223.

## About I/O fencing components

The shared storage for SFCFSHA must support SCSI-3 persistent reservations to enable I/O fencing. SFCFSHA involves two types of shared storage:

- Data disks—Store shared data  
See [“About data disks”](#) on page 27.
- Coordination points—Act as a global lock during membership changes  
See [“About coordination points”](#) on page 27.

## About data disks

Data disks are standard disk devices for data storage and are either physical disks or RAID Logical Units (LUNs).

These disks must support SCSI-3 PR and must be part of standard VxVM or CVM disk groups. CVM is responsible for fencing data disks on a disk group basis. Disks that are added to a disk group and new paths that are discovered for a device are automatically fenced.

## About coordination points

Coordination points provide a lock mechanism to determine which nodes get to fence off data drives from other nodes. A node must eject a peer from the coordination points before it can fence the peer from the data drives. SFCFSHA prevents split-brain when vxfen races for control of the coordination points and the winner partition fences the ejected nodes from accessing the data disks.

---

**Note:** Typically, a fencing configuration for a cluster must have three coordination points. Symantec also supports server-based fencing with a single CP server as its only coordination point with a caveat that this CP server becomes a single point of failure.

---

The coordination points can either be disks or servers or both.

- Coordinator disks

Disks that act as coordination points are called coordinator disks. Coordinator disks are three standard disks or LUNs set aside for I/O fencing during cluster reconfiguration. Coordinator disks do not serve any other storage purpose in the SFCFSHA configuration.

You can configure coordinator disks to use Veritas Volume Manager Dynamic Multi-pathing (DMP) feature. Dynamic Multi-pathing (DMP) allows coordinator disks to take advantage of the path failover and the dynamic adding and removal capabilities of DMP. So, you can configure I/O fencing to use either DMP devices or the underlying raw character devices. I/O fencing uses SCSI-3 disk policy that is either raw or dmp based on the disk device that you use. The disk policy is dmp by default.

See the *Veritas Storage Foundation Administrator's Guide*.

- Coordination point servers

The coordination point server (CP server) is a software solution which runs on a remote system or cluster. CP server provides arbitration functionality by allowing the SFCFSHA cluster nodes to perform the following tasks:

- Self-register to become a member of an active SFCFSHA cluster (registered with CP server) with access to the data drives
- Check which other nodes are registered as members of this active SFCFSHA cluster
- Self-unregister from this active SFCFSHA cluster
- Forcefully unregister other nodes (preempt) as members of this active SFCFSHA cluster

In short, the CP server functions as another arbitration mechanism that integrates within the existing I/O fencing module.

---

**Note:** With the CP server, the fencing arbitration logic still remains on the SFCFSHA cluster.

---

Multiple SFCFSHA clusters running different operating systems can simultaneously access the CP server. TCP/IP based communication is used between the CP server and the SFCFSHA clusters.

## About preferred fencing

The I/O fencing driver uses coordination points to prevent split-brain in a VCS cluster. By default, the fencing driver favors the subcluster with maximum number of nodes during the race for coordination points. With the preferred fencing feature, you can specify how the fencing driver must determine the surviving subcluster.

You can configure the preferred fencing policy using the cluster-level attribute PreferredFencingPolicy for the following:

- Enable system-based preferred fencing policy to give preference to high capacity systems.
- Enable group-based preferred fencing policy to give preference to service groups for high priority applications.
- Disable preferred fencing policy to use the default node count-based race policy.

See the *Veritas Storage Foundation Cluster File System High Availability Administrator's Guide* for more details.

See [“Enabling or disabling the preferred fencing policy”](#) on page 135.

# System requirements

This chapter includes the following topics:

- [Release notes](#)
- [Hardware compatibility list \(HCL\)](#)
- [Supported operating systems](#)
- [Veritas Storage Foundation Cluster File System High Availability hardware requirements](#)
- [I/O fencing requirements](#)
- [Database requirements](#)
- [VxVM licenses](#)
- [Cross-Platform Data Sharing licensing](#)
- [Disk space requirements](#)
- [Synchronizing time on Cluster File Systems](#)
- [Discovering product versions and various requirement information](#)
- [Number of nodes supported](#)

## Release notes

The *Release Notes* for each Veritas product contains last minute news and important details for each product, including updates to system requirements and supported software. Review the Release Notes for the latest information before you start installing the product.

The product documentation is available on the Web at the following location:

<https://sort.symantec.com/documents>

## Hardware compatibility list (HCL)

The hardware compatibility list contains information about supported hardware and is updated regularly. Before installing or upgrading Storage Foundation and High Availability Solutions products, review the current compatibility list to confirm the compatibility of your hardware and software.

For the latest information on supported hardware, visit the following URL:

<http://www.symantec.com/docs/TECH170013>

For information on specific High Availability setup requirements, see the *Veritas Cluster Server Installation Guide*.

## Supported operating systems

For information on supported operating systems, see the *Veritas Storage Foundation Cluster File System High Availability Release Notes*.

## Veritas Storage Foundation Cluster File System High Availability hardware requirements

The following hardware requirements apply to Veritas Storage Foundation Cluster File System High Availability.

**Table 2-1** Hardware requirements for Veritas Storage Foundation Cluster File System High Availability

Requirement	Description
Memory	2 GB of memory.
CPU	A minimum of 2 CPUs.
Node	All nodes in a Cluster File System must have the same operating system version and update level.
Shared storage	Shared storage can be one or more shared disks or a disk array connected either directly to the nodes of the cluster or through a Fibre Channel Switch. Nodes can also have non-shared or local devices on a local I/O channel. It is advisable to have <code>/</code> , <code>/usr</code> , <code>/var</code> and other system partitions on local devices.

**Table 2-1** Hardware requirements for Veritas Storage Foundation Cluster File System High Availability (*continued*)

Requirement	Description
Fibre Channel switch	Each node in the cluster must have a Fibre Channel I/O channel to access shared storage devices. The primary component of the Fibre Channel fabric is the Fibre Channel switch.
Cluster platforms	<p>There are several hardware platforms that can function as nodes in a Veritas Storage Foundation Cluster File System High Availability (SFCFSA) cluster.</p> <p>See the <i>Veritas Storage Foundation Cluster File System High Availability Release Notes</i>.</p> <p>For a cluster to work correctly, all nodes must have the same time. If you are not running the Network Time Protocol (NTP) daemon, make sure the time on all the systems comprising your cluster is synchronized.</p>

## I/O fencing requirements

Depending on whether you plan to configure disk-based fencing or server-based fencing, make sure that you meet the requirements for coordination points:

- Coordinator disks  
See [“Coordinator disk requirements for I/O fencing”](#) on page 31.
- CP servers  
See [“CP server requirements”](#) on page 32.

If you have installed Storage Foundation Cluster File System High Availability in a virtual environment that is not SCSI-3 PR compliant, review the requirements to configure non-SCSI-3 server-based fencing.

See [“Non-SCSI-3 I/O fencing requirements”](#) on page 35.

## Coordinator disk requirements for I/O fencing

Make sure that the I/O fencing coordinator disks meet the following requirements:

- For disk-based I/O fencing, you must have at least three coordinator disks or there must be odd number of coordinator disks.
- The coordinator disks can be raw devices, DMP devices, or iSCSI devices.
- Each of the coordinator disks must use a physically separate disk or LUN.

- Symantec recommends using the smallest possible LUNs for coordinator disks.
- Each of the coordinator disks should exist on a different disk array, if possible.
  - The coordinator disks must support SCSI-3 persistent reservations.
  - Symantec recommends using hardware-based mirroring for coordinator disks.
  - Coordinator disks must not be used to store data or must not be included in disk groups that store user data.
  - Coordinator disks cannot be the special devices that array vendors use. For example, you cannot use EMC gatekeeper devices as coordinator disks.

## CP server requirements

Storage Foundation Cluster File System High Availability 6.0.1 clusters (application clusters) support coordination point servers (CP servers) which are hosted on the following VCS and SFHA versions:

- VCS 6.0.1, VCS 6.0, VCS 6.0 PR1, VCS 6.0 RP1, VCS 5.1SP1, or VCS 5.1 single-node cluster  
Single-node VCS clusters with VCS 5.1 SP1 RP1 and later or VCS 6.0 and later that hosts CP server does not require LLT and GAB to be configured.
- SFHA 6.0.1, SFHA 6.0, SFHA 6.0 PR1, SFHA 6.0 RP1, 5.1SP1, or 5.1 cluster

---

**Warning:** Before you upgrade 5.1 CP server nodes to use VCS or SFHA 6.0.1, you must upgrade all the application clusters that use this CP server to version 6.0.1. Application clusters at version 5.1 cannot communicate with CP server that runs VCS or SFHA 5.1 SP1 or later.

---

Make sure that you meet the basic hardware requirements for the VCS/SFHA cluster to host the CP server.

See the *Veritas Cluster Server Installation Guide* or the *Veritas Storage Foundation High Availability Installation Guide*.

---

**Note:** While Symantec recommends at least three coordination points for fencing, a single CP server as coordination point is a supported server-based fencing configuration. Such single CP server fencing configuration requires that the coordination point be a highly available CP server that is hosted on an SFHA cluster.

---

Make sure you meet the following additional CP server requirements which are covered in this section before you install and configure CP server:



- Hardware requirements
- Operating system requirements
- Networking requirements (and recommendations)
- Security requirements

[Table 2-2](#) lists additional requirements for hosting the CP server.

**Table 2-2** CP server hardware requirements

Hardware required	Description
Disk space	<p>To host the CP server on a VCS cluster or SFHA cluster, each host requires the following file system space:</p> <ul style="list-style-type: none"> <li>■ 550 MB in the /opt directory (additionally, the language pack requires another 15 MB)</li> <li>■ 300 MB in /usr</li> <li>■ 20 MB in /var</li> <li>■ 10 MB in /etc (for the CP server database)</li> </ul> <p>See <a href="#">“Disk space requirements”</a> on page 37.</p>
Storage	When CP server is hosted on an SFHA cluster, there must be shared storage between the nodes of this SFHA cluster.
RAM	Each CP server requires at least 512 MB.
Network	Network hardware capable of providing TCP/IP connection between CP servers and SFCFSHA clusters (application clusters).

[Table 2-3](#) displays the CP server supported operating systems and versions. An application cluster can use a CP server that runs any of the following supported operating systems.

**Table 2-3** CP server supported operating systems and versions

CP server	Operating system and version
<p>CP server hosted on a VCS single-node cluster or on an SFHA cluster</p>	<p>CP server supports any of the following operating systems:</p> <ul style="list-style-type: none"> <li>■ AIX 6.1 and 7.1</li> <li>■ HP-UX 11i v3</li> <li>■ Linux:               <ul style="list-style-type: none"> <li>■ RHEL 5</li> <li>■ RHEL 6</li> <li>■ SLES 10</li> <li>■ SLES 11</li> </ul> </li> <li>■ Oracle Solaris 10</li> <li>■ Oracle Solaris 11</li> </ul> <p>Review other details such as supported operating system levels and architecture for the supported operating systems.</p> <p>See the <i>Veritas Cluster Server Release Notes</i> or the <i>Veritas Storage Foundation High Availability Release Notes</i> for that platform.</p>

Following are the CP server networking requirements and recommendations:

- Symantec recommends that network access from the application clusters to the CP servers should be made highly-available and redundant. The network connections require either a secure LAN or VPN.
- The CP server uses the TCP/IP protocol to connect to and communicate with the application clusters by these network paths. The CP server listens for messages from the application clusters using TCP port 14250. This is the default port that can be changed during a CP server configuration. Symantec recommends that you configure multiple network paths to access a CP server. If a network path fails, CP server does not require a restart and continues to listen on all the other available virtual IP addresses.
- The CP server supports either Internet Protocol version 4 or version 6 (IPv4 or IPv6 addresses) when communicating with the application clusters. If the CP server is configured to use an IPv6 virtual IP address, then the application clusters should also be on the IPv6 network where the CP server is hosted.
- When placing the CP servers within a specific network configuration, you must take into consideration the number of hops from the different application cluster nodes to the CP servers. As a best practice, Symantec recommends that the number of hops and network latency from the different application cluster nodes to the CP servers should be equal. This ensures that if an event occurs that

results in an I/O fencing scenario, there is no bias in the race due to difference in number of hops or network latency between the CPS and various nodes.

For secure communication between the SFCFSHA cluster (application cluster) and the CP server, review the following support matrix:

<b>Communication mode</b>	<b>CP server in secure mode</b>	<b>CP server in non-secure mode</b>
SFCFSHA cluster in secure mode	Yes	Yes
SFCFSHA cluster in non-secure mode	Yes	Yes

For secure communications between the SFCFSHA and CP server, consider the following requirements and suggestions:

- In a secure communication environment, all CP servers that are used by the application cluster must be configured with security enabled. A configuration where the application cluster uses some CP servers running with security enabled and other CP servers running with security disabled is not supported.
- For non-secure communication between CP server and application clusters, there is no need to configure Symantec Product Authentication Service. In non-secure mode, authorization is still provided by CP server for the application cluster users. The authorization that is performed only ensures that authorized users can perform appropriate actions as per their user privileges on the CP server.

For information about establishing secure communications between the application cluster and CP server, see the *Veritas Storage Foundation Cluster File System High Availability Administrator's Guide*.

## Non-SCSI-3 I/O fencing requirements

Supported virtual environment for non-SCSI-3 fencing:

- VMware Server ESX 3.5, 4.0, and 5.0 on AMD Opteron or Intel Xeon EM64T (x86\_64)  
Guest operating system: See the *Veritas Storage Foundation Cluster File System High Availability Release Notes* for the list of supported Linux operating systems.

Make sure that you also meet the following requirements to configure non-SCSI-3 fencing in the virtual environments that do not support SCSI-3 PR:

- Storage Foundation Cluster File System High Availability must be configured with Cluster attribute UseFence set to SCSI3

- All coordination points must be CP servers

## Database requirements

The following TechNote identifies the most current information on supported database and operating system combinations:

<http://www.symantec.com/docs/DOC4039>

---

**Note:** SFCFSHA supports running Oracle, DB2, and Sybase on VxFS and VxVM. SFCFSHA does not support running SFDB tools with DB2 and Oracle.

---

## VxVM licenses

The following table shows the levels of licensing in Veritas Volume Manager and the features supported at each level.

[Table 2-4](#) describes the levels of licensing in Veritas Volume Manager and supported features.

**Table 2-4** Levels of licensing in Veritas Volume Manager and supported features

VxVM License	Description of Supported Features
Full	Concatenation, spanning, rootability, volume resizing, multiple disk groups, co-existence with native volume manager, striping, mirroring, DRL logging for mirrors, striping plus mirroring, mirroring plus striping, RAID-5, RAID-5 logging, Smartsync, hot sparing, hot-relocation, online data migration, online relayout, volume snapshots, volume sets, Intelligent Storage Provisioning, FastResync with Instant Snapshots, Storage Expert, Device Discovery Layer (DDL), Dynamic Multipathing (DMP), and Veritas Operations Manager (VOM).
Add-on Licenses	Features that augment the Full VxVM license such as clustering functionality (cluster-shareable disk groups and shared volumes) and Veritas Volume Replicator.

---

**Note:** You need a Full VxVM license to make effective use of add-on licenses to VxVM.

---

To see the license features that are enabled in VxVM

- ◆ Enter the following command:

```
# vxdctl license
```

## Cross-Platform Data Sharing licensing

The Cross-Platform Data Sharing (CDS) feature is also referred to as Portable Data Containers.

The ability to import a CDS disk group on a platform that is different from the platform on which the disk group was last imported is controlled by a CDS license. CDS licenses are included as part of the Veritas Storage Foundation license.

## Disk space requirements

Before installing your products, confirm that your system has enough free disk space.

Use the **Perform a Pre-installation Check (P)** menu for the Web-based installer to determine whether there is sufficient space.

Or, go to the installation directory and run the installer with the `-precheck` option.

```
# ./installer -precheck
```

See [“About the Veritas installer”](#) on page 42.

## Synchronizing time on Cluster File Systems

SFCFSHA requires that the system clocks on all nodes are synchronized using some external component such as the Network Time Protocol (NTP) daemon. If the nodes are not in sync, timestamps for change (`ctime`) and modification (`mtime`) may not be consistent with the sequence in which operations actually happened.

## Discovering product versions and various requirement information

Symantec provides several methods to check the Veritas product you have installed, plus various requirement information.

You can check the existing product versions using the `installer` command with the `-version` option before or after you install. After you have installed the current version of the product, you can use the `showversion` script in the `/opt/VRTS/install` directory to find version information.

The information that the `version` option or the `showversion` script discovers on systems includes the following:

- The installed version of all released Storage Foundation and High Availability Suite of products
- The required RPMs or patches (if applicable) that are missing
- The available updates (including patches or hotfixes) from Symantec Operations Readiness Tools (SORT) for the installed products

To run the version checker

- 1 Mount the media.
- 2 Start the installer with the `-version` option.

```
# ./installer -version system1 system2
```

## Number of nodes supported

SFCFSHA supports cluster configurations with up to 64 nodes.

# Planning to install SFCFSHA

This chapter includes the following topics:

- [About planning for SFCFSHA installation](#)
- [About installation and configuration methods](#)
- [About the Veritas installer](#)
- [Downloading the Veritas Storage Foundation Cluster File System High Availability software](#)
- [Optimizing LLT media speed settings on private NICs](#)
- [Guidelines for setting the media speed of the LLT interconnects](#)
- [Verifying network interfaces for persistent names](#)
- [Prerequisites for installing Veritas Storage Foundation Cluster File System High Availability](#)
- [Sample SFCFSHA configuration on a Fibre Channel fabric](#)
- [About the VRTSspt RPM troubleshooting tools](#)

## About planning for SFCFSHA installation

Before you continue, make sure that you are using the current version of this guide. The latest documentation is available on the Symantec Symantec Operations Readiness Tools (SORT) website.

<https://sort.symantec.com/documents>

Document version: 6.0.1 Rev 7.

This installation guide is designed for system administrators who already have a knowledge of basic UNIX system and network administration. Basic knowledge

includes commands such as `tar`, `mkdir`, and simple shell scripting. Also required is basic familiarity with the specific platform and operating system where SFCFSHA will be installed.

Follow the preinstallation instructions if you are installing Veritas Storage Foundation Cluster File System High Availability.

## About installation and configuration methods

You can use one of the following methods to install and configure SFCFSHA.

**Table 3-1** Installation and configuration methods

Method	Description
<p>Interactive installation and configuration using the script-based installer</p> <p><b>Note:</b> If you obtained SFCFSHA from an electronic download site, you must use the <code>installsfcfsha</code> script instead of the <code>installer</code> script.</p>	<p>You can use one of the following script-based installers:</p> <ul style="list-style-type: none"> <li>■ Common product installer script: <code>installer</code> The common product installer script provides a menu that simplifies the selection of installation and configuration options.</li> <li>■ Product-specific installation script: <code>installsfcfsha</code></li> <li>■ The product-specific installation script provides command-line interface options. Installing and configuring with the <code>installsfcfsha</code> script is identical to specifying SFCFSHA from the <code>installer</code> script. Use this method to install or configure only SFCFSHA.</li> </ul>
<p>Silent installation using the response file</p>	<p>The response file automates installation and configuration by using system and configuration information stored in a specified file instead of prompting for information. You can use the script-based installers with the response file to install silently on one or more systems.</p> <p>See <a href="#">“About response files”</a> on page 41.</p>
<p>Web-based installer</p>	<p>The Web-based installer provides an interface to manage the installation and configuration from a remote site using a standard Web browser.</p> <p><code>webinstaller</code></p> <p>See <a href="#">“About the Web-based installer”</a> on page 139.</p>



**Table 3-1** Installation and configuration methods (*continued*)

Method	Description
Kickstart	<p>The Kickstart enables the system administrator automatically to install systems based on predefined customized configurations. Kickstart is an automatic operating system installation method available for the Red Hat Linux operating system.</p> <p>See <a href="#">“Installing SFCFSHA using Kickstart”</a> on page 191.</p>
Manual installation and configuration	<p>Manual installation uses the Linux commands to install SFCFSHA. To retrieve a list of all RPMs and patches required for all products in the correct installation order, enter:</p> <pre># installer -allpkgs</pre> <p>Use the Linux commands to install SFCFSHA. Then use a manual or an interactive method with <code>installsfcfsa</code> or <code>installer</code> script to configure the SFCFSHA stack.</p>

## About response files

The installer or product installation script generates a response file during any installation, configuration, upgrade (except rolling upgrade), or uninstall procedure. The response file contains the configuration information that you entered during the procedure. When the procedure completes, the installation script displays the location of the response files.

You can use the response file for future installation procedures by invoking an installation script with the `-responsefile` option. The response file passes arguments to the script to automate the installation of that product. You can edit the file to automate installation and configuration of additional systems.

You can generate a response file using the `-makeresponsefile` option.

See [“Installation script options”](#) on page 363.

### Syntax in the response file

The syntax of the Perl statements that are included in the response file variables varies. It can depend on whether the variables require scalar or list values.

For example, in the case of a string value:

```
$CFG{Scalar_variable}="value";
```

or, in the case of an integer value:

```
$CFG{Scalar_variable}=123;
```

or, in the case of a list:

```
$CFG{List_variable}=["value", "value", "value"];
```

## About the Veritas installer

To install your Veritas product, use one of the following methods:

- The general product installer. The general product installer enables you to install and configure the product, verify preinstallation requirements, and view the product’s description. You perform the installation from a disc, and you are prompted to choose a product to install.  
 See [“Installing Storage Foundation Cluster File System High Availability using the product installer”](#) on page 63.
- Product-specific installation scripts. If you obtained a standalone Veritas product from an electronic download site, the single product download files do not contain the general product installer. Use the product installation script to install the individual products. You can find these scripts at the root of the product media in the scripts directory. These scripts are also installed with the product.

[Table 3-2](#) lists all the SFHA Solutions product installation scripts. The list of product installation scripts that you find on your system depends on the product that you install on your system.

---

**Note:** The name of the script is different depending on whether you run the script from the install media or from a system on which the product software is installed.

---

**Table 3-2** Product installation scripts

Veritas product name	Product installation script (When running the script from the install media)	Product installation script (When running the script from a system on which the SFHA Solutions product is installed)
Veritas Cluster Server (VCS)	installvcs	installvcs<version>
Veritas Storage Foundation (SF)	installsf	installsf<version>
Veritas Storage Foundation and High Availability (SFHA)	installsfha	installsfha<version>

**Table 3-2** Product installation scripts (*continued*)

Veritas product name	Product installation script (When running the script from the install media)	Product installation script (When running the script from a system on which the SFHA Solutions product is installed)
Veritas Storage Foundation Cluster File System High Availability (SFCFSHA)	<code>installsfcfsha</code>	<code>installsfcfsha&lt;version&gt;</code>
Veritas Storage Foundation for Oracle RAC (SF Oracle RAC)	<code>installsfrac</code>	<code>installsfrac&lt;version&gt;</code>
Veritas Storage Foundation for Sybase ASE CE (SF Sybase CE)	<code>installsfsybasece</code>	<code>installsfsybasece&lt;version&gt;</code>
Veritas Dynamic Multi-Pathing	<code>installdmp</code>	<code>installdmp&lt;version&gt;</code>
Symantec VirtualStore	<code>installsvs</code>	<code>installsvs&lt;version&gt;</code>

The scripts that are installed on the system include the product version in the script name. For example, to install the SFCFSHA script from the install media, run the `installsfcfsha` command. However, to run the script from the installed binaries, run the `installsfcfsha<version>` command.

For example, for the 6.0.1 version:

```
# /opt/VRTS/install/installsfcfsha601 -configure
```

---

**Note:** Do not include the release version if you use the general product installer to install the product.

---

At most points during the installation you can type the following characters for different actions:

- Use `b` (back) to return to a previous section of the installation procedure. The back feature of the installation scripts is context-sensitive, so it returns to the beginning of a grouped section of questions.
- Use `Control+c` to stop and exit the program if an installation procedure hangs. After a short delay, the script exits.
- Use `q` to quit the installer.

- Use ? to display help information.
- Use the Enter button to accept a default response.

See “[Installation script options](#)” on page 363.

## Downloading the Veritas Storage Foundation Cluster File System High Availability software

One method of obtaining the Veritas Storage Foundation Cluster File System High Availability software is to download it to your local system from the Symantec Web site.

For a Trialware download, perform the following. Contact your Veritas representative for more information.

### To download the trialware version of the software

- 1 Open the following link in your browser:  
<http://www.symantec.com/index.jsp>
- 2 In Products and Solutions section, click the **Trialware & Downloads** link.
- 3 On the next page near the bottom of the page, click **Business Continuity**.
- 4 Under Cluster Server, click **Download Now**.
- 5 In the new window, click **Download Now**.
- 6 Review the terms and conditions, and click **I agree**.
- 7 You can use existing credentials to log in or create new credentials.
- 8 Find the product that you want to download and select it. Continue with the installation.

If you download a standalone Veritas product, the single product download files do not contain the product installer. Use the installation script for the specific product to install the product.

---

**Note:** Trialware is the full product version. The enabled licensing places the product in a demo or a trial state.

---

See “[About the Veritas installer](#)” on page 42.

### To download the software

- 1 Verify that you have enough space on your filesystem to store the downloaded software.

The estimated space for download, gunzip, and tar extract is 1 GB.

If you plan to install the software on the same system, make sure that you also have enough space for the installed software.

See [“Disk space requirements”](#) on page 37.

- 2 To see the space available, you can use the `df` command with the name of the local file system where you intend to download the software.

```
# df -k filesystem
```

---

**Caution:** When you select a location to download files, do not select a directory that contains Veritas products from a previous release or maintenance pack. Make sure that different versions exist in different directories.

---

- 3 Download the software, specifying the file system with sufficient space for the file.

## Optimizing LLT media speed settings on private NICs

For optimal LLT communication among the cluster nodes, the interface cards on each node must use the same media speed settings. Also, the settings for the switches or the hubs that are used for the LLT interconnections must match that of the interface cards. Incorrect settings can cause poor network performance or even network failure.

If you use different media speed for the private NICs, Symantec recommends that you configure the NICs with lesser speed as low-priority links to enhance LLT performance.

## Guidelines for setting the media speed of the LLT interconnects

Review the following guidelines for setting the media speed of the LLT interconnects:

- Symantec recommends that you manually set the same media speed setting on each Ethernet card on each node.

If you use different media speed for the private NICs, Symantec recommends that you configure the NICs with lesser speed as low-priority links to enhance LLT performance.

- If you have hubs or switches for LLT interconnects, then set the hub or switch port to the same setting as used on the cards on each node.
- If you use directly connected Ethernet links (using crossover cables), Symantec recommends that you set the media speed to the highest value common to both cards, typically 1000\_Full\_Duplex.

Details for setting the media speeds for specific devices are outside of the scope of this manual. Consult the device's documentation or the operating system manual for more information.

## Verifying network interfaces for persistent names

VCS requires that the network interface cards use persistent interface names. By default, SLES 10, RHEL5 and later Linux flavors use udev to achieve persistent interface names.

### To verify and configure persistent network interfaces

- ◆ Make sure that the network interface names are persistent.

If the network interface names are not persistent, then manually configure persistent interfaces.

For RHEL, SLES, and OEL, refer to the OS documentation for information on configuring persistent interfaces.

## Prerequisites for installing Veritas Storage Foundation Cluster File System High Availability

Each cluster node must be connected to the public network and each must have a unique host name by which it can be addressed on the public network. The local node from which you install does not have to be part of the cluster.

Provide the following information when installing SFCFSHA:

- The cluster name, beginning with a letter (a-z, A-Z).
- A unique ID from 0-65535 for the cluster. Within the public subnet, a new cluster using a duplicate cluster ID can cause existing clusters to fail.
- The host names of the cluster nodes.

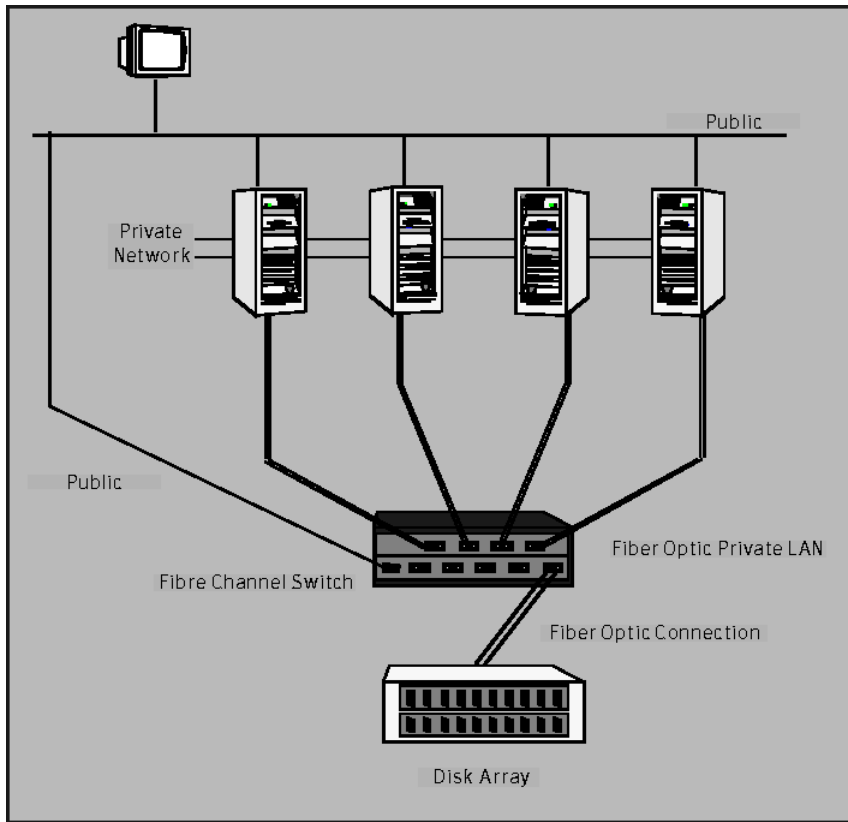
- The device names of the network interface cards (NICs) used for the private networks among nodes.
- Establishing communication between nodes is required to install Veritas software from a remote system, or to install and configure a cluster. The node from which the installation utility is run must have permissions to run `rsh` (remote shell) or `ssh` (secure shell) utilities as root on all cluster nodes or remote systems.
- Symantec recommends configuring the cluster with I/O fencing enabled. I/O fencing requires shared devices to support SCSI-3 Persistent Reservations (PR). Enabling I/O fencing prevents data corruption caused by a split brain scenario.  
 The Veritas Storage Foundation Cluster File System High Availability is supported without I/O fencing enabled. However, without I/O fencing enabled, split brain scenarios can result in data corruption.
- In a large cluster environment, make sure the first volume of the volume set is large enough to accommodate all of the metadata. A large cluster environment includes more than 14 nodes, and a volume set with more than 40 volumes. The minimum size of the first volume should be more than 900M.

## Sample SFCFSHA configuration on a Fibre Channel fabric

VxFS cluster functionality runs optimally on a Fibre Channel fabric. Fibre Channel technology provides the fastest, most reliable, and highest bandwidth connectivity currently available. By employing Fibre Channel technology, SFCFSHA can be used in conjunction with the latest Veritas Storage Area Network (SAN) applications to provide a complete data storage and retrieval solution.

[Figure 3-1](#) shows the configuration of a cluster file system on a Fibre Channel fabric with a disk array.

**Figure 3-1** Four Node SFCFSHA Cluster Built on Fibre Channel Fabric



## About the VRTSspt RPM troubleshooting tools

The VRTSspt RPM provides a group of tools for troubleshooting a system and collecting information on its configuration. If you install and use the VRTSspt RPM, it will be easier for Symantec Support to diagnose any issues you may have.

The tools can gather Veritas File System and Veritas Volume Manager metadata information and establish various benchmarks to measure file system and volume manager performance. Although the tools are not required for the operation of any Veritas product, Symantec recommends installing them should a support case be needed to be opened with Symantec Support. Use caution when you use the VRTSspt RPM, and always use it in concert with Symantec Support.



# Licensing SFCFSHA

This chapter includes the following topics:

- [About Veritas product licensing](#)
- [Setting or changing the product level for keyless licensing](#)
- [Installing Veritas product license keys](#)

## About Veritas product licensing

You have the option to install Veritas products without a license key. Installation without a license does not eliminate the need to obtain a license. A software license is a legal instrument governing the usage or redistribution of copyright protected software. The administrator and company representatives must ensure that a server or cluster is entitled to the license level for the products installed. Symantec reserves the right to ensure entitlement and compliance through auditing.

If you encounter problems while licensing this product, visit the Symantec licensing support website.

[www.symantec.com/techsupp/](http://www.symantec.com/techsupp/)

The Veritas product installer prompts you to select one of the following licensing methods:

- Install a license key for the product and features that you want to install.  
When you purchase a Symantec product, you receive a License Key certificate. The certificate specifies the product keys and the number of product licenses purchased.
- Continue to install without a license key.  
The installer prompts for the product modes and options that you want to install, and then sets the required product level.

Within 60 days of choosing this option, you must install a valid license key corresponding to the license level entitled. If you do not comply with the above terms, continuing to use the Symantec product is a violation of your end user license agreement, and results in warning messages.

For more information about keyless licensing, see the following URL:

<http://go.symantec.com/sfhakeyless>

If you upgrade to this release from a prior release of the Veritas software, the installer asks whether you want to upgrade the key to the new version. The existing license keys may not activate new features in this release.

If you upgrade with the product installer, or if you install or upgrade with a method other than the product installer, you must do one of the following to license the products:

- Run the `vxkeyless` command to set the product level for the products you have purchased. This option also requires that you manage the server or cluster with a management server.  
See “Setting or changing the product level for keyless licensing” on page 50.  
See the `vxkeyless(1m)` manual page.
- Use the `vxlicinst` command to install a valid product license key for the products you have purchased.  
See “Installing Veritas product license keys” on page 52.  
See the `vxlicinst(1m)` manual page.

You can also use the above options to change the product levels to another level that you are authorized to use. For example, you can add the replication option to the installed product. You must ensure that you have the appropriate license for the product level and options in use.

---

**Note:** In order to change from one product group to another, you may need to perform additional steps.

---

## Setting or changing the product level for keyless licensing

The keyless licensing method uses product levels to determine the Veritas products and functionality that are licensed.

For more information to use keyless licensing and to download the management server, see the following URL:

<http://go.symantec.com/vom>

When you set the product license level for the first time, you enable keyless licensing for that system. If you install with the product installer and select the keyless option, you are prompted to select the product and feature level that you want to license.

After you install, you can change product license levels at any time to reflect the products and functionality that you want to license. When you set a product level, you agree that you have the license for that functionality.

### To set or change the product level

- 1 Change your current working directory:

```
# cd /opt/VRTSvlic/bin
```

- 2 View the current setting for the product level.

```
# ./vxkeyless -v display
```

- 3 View the possible settings for the product level.

```
# ./vxkeyless displayall
```

- 4 Set the desired product level.

```
# ./vxkeyless set prod_levels
```

where *prod\_levels* is a comma-separated list of keywords. The keywords are the product levels as shown by the output of step 3.

If you want to remove keyless licensing and enter a key, you must clear the keyless licenses. Use the NONE keyword to clear all keys from the system.

---

**Warning:** Clearing the keys disables the Veritas products until you install a new key or set a new product level.

---

### To clear the product license level

- 1 View the current setting for the product license level.

```
# ./vxkeyless [-v] display
```

- 2 If there are keyless licenses installed, remove all keyless licenses:

```
# ./vxkeyless [-q] set NONE
```

For more details on using the `vxkeyless` utility, see the `vxkeyless(1m)` manual page.

# Installing Veritas product license keys

The VRTSvlic RPM enables product licensing. After the VRTSvlic is installed, the following commands and their manual pages are available on the system:

<code>vxlicinst</code>	Installs a license key for a Symantec product
<code>vxlicrep</code>	Displays currently installed licenses
<code>vxlictest</code>	Retrieves features and their descriptions encoded in a license key

Even though other products are included on the enclosed software discs, you can only use the Symantec software products for which you have purchased a license.

## To install a new license

- ◆ Run the following commands. In a cluster environment, run the commands on each node in the cluster:

```
# cd /opt/VRTS/bin  
  
# ./vxlicinst -k license key
```

To see a list of your vxkeyless keys, enter the following command:

```
# ./vxkeyless display
```

After you upgrade from a previous release, the output you see when you run the `vxkeyless display` command includes the previous release's vxkeyless keys. Each vxkeyless key name includes the suffix `_previous_release_version>`. For example, `DMP_6.0`, or `SFENT_VR_5.1SP1`, or `VCS_GCO_5.1`. During the upgrade process, the CPI installer prompts you to update the vxkeyless keys to the current release level. If you update the vxkeyless keys during the upgrade process, you no longer see the `_previous_release_number>` suffix after the keys are updated.

# Preinstallation tasks

- [Chapter 5. Preparing to install SFCFSHA](#)

# Preparing to install SFCFSHA

This chapter includes the following topics:

- [Installation preparation overview](#)
- [About using ssh or rsh with the Veritas installer](#)
- [Setting up shared storage](#)
- [Setting environment variables](#)
- [Mounting the product disc](#)
- [Assessing the system for installation readiness](#)

## Installation preparation overview

[Table 5-1](#) provides an overview of an installation using the product installer.

**Table 5-1** Installation overview

Installation task	Section
Obtain product licenses.	See <a href="#">“About Veritas product licensing”</a> on page 49.
Download the software, or insert the product DVD.	See <a href="#">“Downloading the Veritas Storage Foundation Cluster File System High Availability software”</a> on page 44. See <a href="#">“Mounting the product disc”</a> on page 59.

**Table 5-1** Installation overview (*continued*)

Installation task	Section
Set environment variables.	See <a href="#">“Setting environment variables”</a> on page 59.
Configure the secure shell (ssh) or remote shell (rsh) on all nodes.	See <a href="#">“About configuring secure shell or remote shell communication modes before installing products”</a> on page 401.
Verify that hardware, software, and operating system requirements are met.	See <a href="#">“Release notes”</a> on page 29.
Check that sufficient disk space is available.	See <a href="#">“Disk space requirements”</a> on page 37.
Use the installer to install the products.	See <a href="#">“About the Veritas installer”</a> on page 42.

## About using ssh or rsh with the Veritas installer

The installer uses passwordless secure shell (ssh) or remote shell (rsh) communications among systems. The installer uses the ssh or rsh daemon that comes bundled with the operating system. During an installation, you choose the communication method that you want to use. You then provide the installer with the superuser passwords for the systems where you plan to install. The ssh or rsh communication among the systems is removed when the installation process completes, unless the installation abruptly terminates. If installation terminated abruptly, use the installation script's `-comcleanup` option to remove the ssh or rsh configuration from the systems.

See [“Installation script options”](#) on page 363.

In most installation, configuration, upgrade (where necessary), and uninstallation scenarios, the installer can configure ssh or rsh on the target systems. In the following scenarios, you need to set up ssh or rsh manually:

- When you perform installer sessions using a response file.

See [“About configuring secure shell or remote shell communication modes before installing products”](#) on page 401.

## Setting up shared storage

The following sections describe how to set up the SCSI and the Fibre Channel devices that the cluster systems share.

For I/O fencing, the data disks must support SCSI-3 persistent reservations. You need to configure a coordinator disk group that supports SCSI-3 PR and verify that it works.

---

**Note:** Storage Foundation Cluster File System High Availability also supports non-SCSI3 server-based fencing configuration in virtual environments that do not support SCSI-3 PR-compliant storage.

---

See [“About planning to configure I/O fencing”](#) on page 67.

See also the *Veritas Storage Foundation Cluster File System High Availability Administrator's Guide* for a description of I/O fencing.

## Setting up shared storage: SCSI

Perform the following steps to set up shared storage.

### To set up shared storage

- 1 Connect the disk to the first cluster system.
- 2 Power on the disk.
- 3 Connect a terminator to the other port of the disk.
- 4 Boot the system. The disk is detected while the system boots.
- 5 Press CTRL+A to bring up the SCSI BIOS settings for that disk.

Set the following:

- Set Host adapter SCSI ID = 7, or to an appropriate value for your configuration.
- Set Host Adapter BIOS in Advanced Configuration Options to Disabled.

- 6 Format the shared disk and create required partitions on it.

Perform the following:

- Identify your shared disk name. If you have two internal SCSI hard disks, your shared disk is /dev/sdc. Identify whether the shared disk is sdc, sdb, and so on.

- Type the following command:

```
# fdisk /dev/shareddiskname
```

For example, if your shared disk is sdc, type:

```
# fdisk /dev/sdc
```



- Create disk groups and volumes using Volume Manager utilities.
- To apply a file system on the volumes, type:

```
# mkfs -t fs-type /dev/vx/dsk/disk-group/volume
```

For example, enter the following command:

```
# mkfs -t vxfs /dev/vx/dsk/dg/vol01
```

Where the name of the disk group is dg, the name of the volume is vol01, and the file system type is vxfs.

- 7 Power off the disk.
- 8 Remove the terminator from the disk and connect the disk to the other cluster system.
- 9 Power on the disk.
- 10 Boot the second system. The system can now detect the disk.
- 11 Press Ctrl+A to bring up the SCSI BIOS settings for the disk.  
Set the following:
  - Set Host adapter SCSI ID = 6, or to an appropriate value for your configuration. Note that the SCSI ID should be different from the one configured on the first cluster system.
  - Set Host Adapter BIOS in Advanced Configuration Options to Disabled.
- 12 Verify that you can view the shared disk using the `fdisk` command.

## Setting up shared storage: Fibre Channel

Perform the following steps to set up Fibre Channel.

### To set up shared storage for Fibre Channel

- 1 Connect the Fibre Channel disk to a cluster system.
- 2 Boot the system and change the settings of the Fibre Channel. Perform the following tasks for all QLogic adapters in the system:
  - Press Alt+Q to bring up the QLogic adapter settings menu.
  - Choose **Configuration Settings**.
  - Click Enter.
  - Choose **Advanced Adapter Settings**.
  - Click Enter.

- Set the Enable Target Reset option to **Yes** (the default value).
  - Save the configuration.
  - Reboot the system.
- 3 Verify that the system detects the Fibre Channel disks properly.
  - 4 Create volumes. Format the shared disk and create required partitions on it and perform the following:
    - Identify your shared disk name. If you have two internal SCSI hard disks, your shared disk is `/dev/sdc`. Identify whether the shared disk is `sdc`, `sdb`, and so on.
    - Type the following command:

```
# fdisk /dev/shareddiskname
```

For example, if your shared disk is `sdc`, type:

```
# fdisk /dev/sdc
```
    - Create disk groups and volumes using Volume Manager utilities.
    - To apply a file system on the volumes, type:

```
# mkfs -t fs-type /dev/vx/dsk/disk-group/volume
```

For example, enter the following command:

```
# mkfs -t vxfs /dev/vx/dsk/dg/vol01
```

Where the name of the disk group is `dg`, the name of the volume is `vol01`, and the file system type is `vxfs`.
  - 5 Repeat step 2 and step 3 for all nodes in the clusters that require connections with Fibre Channel.
  - 6 Power off this cluster system.
  - 7 Connect the same disks to the next cluster system.
  - 8 Turn on the power for the second system.
  - 9 Verify that the second system can see the disk names correctly—the disk names should be the same.
- See [“Verifying that the nodes have access to the same disk”](#) on page 121.

## Setting environment variables

Most of the commands used in the installation are in the `/sbin` or `/usr/sbin` directory. Add these directories to your `PATH` environment variable as necessary.

After installation, SFCFSHA commands are in `/opt/VRTS/bin`. SFCFSHA manual pages are stored in `/opt/VRTS/man`.

Specify `/opt/VRTS/bin` in your `PATH` after the path to the standard Linux commands.

Some VCS custom scripts reside in `/opt/VRTSvcs/bin`. If you are installing a high availability product, add `/opt/VRTSvcs/bin` to the `PATH` also.

To invoke the VxFS-specific `df`, `fsdb`, `ncheck`, or `umount` commands, type the full path name: `/opt/VRTS/bin/command`.

To set your `MANPATH` environment variable to include `/opt/VRTS/man` do the following:

- If you are using a shell such as `sh` or `bash`, enter the following:

```
$ MANPATH=$MANPATH:/opt/VRTS/man; export MANPATH
```

- If you are using a shell such as `csh` or `tcsh`, enter the following:

```
% setenv MANPATH $(MANPATH) :/opt/VRTS/man
```

On a Red Hat system, also include the `1m` manual page section in the list defined by your `MANSECT` environment variable.

- If you are using a shell such as `sh` or `bash`, enter the following:

```
$ MANSECT=$MANSECT:1m; export MANSECT
```

- If you are using a shell such as `csh` or `tcsh`, enter the following:

```
% setenv MANSECT $(MANSECT) :1m
```

If you use the `man(1)` command to access manual pages, set `LC_ALL=C` in your shell to ensure that they display correctly.

## Mounting the product disc

You must have superuser (root) privileges to load the SFCFSHA software.

### To mount the product disc

- 1 Log in as superuser on a system where you want to install SFCFSHA.  
 The system from which you install SFCFSHA need not be part of the cluster.  
 The systems must be in the same subnet.

- 2 Insert the product disc with the SFCFSHA software into a drive that is connected to the system.  
 The disc is automatically mounted.

- 3 If the disc does not automatically mount, then enter:

```
# mkdir /mnt/cdrom
# mount -o ro /dev/cdrom /mnt/cdrom
```

- 4 Navigate to the location of the RPMs.

```
# cd /mnt/cdrom/dist_arch/rpms
```

Where *dist* is rhel5, rhel6, sles10, or sles11, and *arch* is x86\_64 for RHEL and SLES.

## Assessing the system for installation readiness

Symantec provides the following tools for assessing your system, to ensure that the system meets the requirements for installing Veritas Storage Foundation Cluster File System High Availability 6.0.1.

### Symantec Operations Readiness Tools

Symantec Operations Readiness Tools (SORT) is a Web-based application that is designed to support Symantec enterprise products.

See [“About Symantec Operations Readiness Tools”](#) on page 61.

### Prechecking your systems using the installer

Performs a pre-installation check on the specified systems. The Veritas product installer reports whether the specified systems meet the minimum requirements for installing Veritas Storage Foundation Cluster File System High Availability 6.0.1.

See [“Prechecking your systems using the Veritas installer”](#) on page 61.

## About Symantec Operations Readiness Tools

[Symantec Operations Readiness Tools \(SORT\)](#) is a Web site that automates and simplifies some of the most time-consuming administrative tasks. SORT helps you manage your datacenter more efficiently and get the most out of your Symantec products.

Among its broad set of features, SORT lets you do the following:

- Generate server-specific reports that describe how to prepare your servers for installation or upgrade of Symantec enterprise products.
- Access a single site with the latest production information, including patches, agents, and documentation.
- Create automatic email notifications for changes in patches, documentation, and array-specific modules.

To access SORT, go to:

<https://sort.symantec.com>

## Prechecking your systems using the Veritas installer

The script-based and Web-based installer's precheck option checks for the following:

- Recommended swap space for installation
- Recommended memory sizes on target systems for Veritas programs for best performance
- Required operating system versions

### To use the precheck option

- 1 Start the script-based or Web-based installer.

See [“Installing SFCFSHA with the Web-based installer”](#) on page 142.

- 2 Select the precheck option:

- From the Web-based installer, select the **Perform a Pre-Installation Check** from the Task pull-down menu.
- In the script-based installer, from root on the system where you want to perform the check, start the installer.

```
# ./installer
```

In the Task Menu, press the p key to start the precheck.

- 3 Review the output and make the changes that the installer recommends.

# Installation using the script-based installer

- [Chapter 6. Installing SFCFSHA](#)
- [Chapter 7. Preparing to configure SFCFSHA clusters for data integrity](#)
- [Chapter 8. Configuring SFCFSHA](#)
- [Chapter 9. Configuring SFCFSHA clusters for data integrity](#)

# Installing SFCFSHA

This chapter includes the following topics:

- [Installing Storage Foundation Cluster File System High Availability using the product installer](#)

## Installing Storage Foundation Cluster File System High Availability using the product installer

The product installer is the recommended method to license and install Storage Foundation Cluster File System High Availability.

The following sample procedure is based on the installation of a Veritas Storage Foundation Cluster File System High Availability cluster with two nodes: "sys1" and "sys2" If you are installing on standalone systems only, some steps are unnecessary, and these are indicated.

Default responses are enclosed by parentheses. Press Return to accept defaults.

---

**Note:** If you have obtained a Veritas product from an electronic download site, the single product download files do not contain the `installer` installation script, so you must use the product installation script to install the product. For example, if you download Veritas Cluster File System High Availability, use the `installsfcfsha` script instead of the `installer` script.

---

### To install Veritas Storage Foundation Cluster File System High Availability

- 1 To install on multiple systems, set up the systems so that commands between systems execute without prompting for passwords or confirmations.

See [“About configuring secure shell or remote shell communication modes before installing products”](#) on page 401.

- 2 Load and mount the software disc.
- 3 Move to the top-level directory on the disc.

```
# cd /dvd_mount
```

- 4 From this directory, type the following command to install on the local system. Also use this command to install on remote systems provided that the secure shell or remote shell utilities are configured:

```
# ./installer
```

- 5 Enter **I** to install and press Return.
- 6 From the Installation menu, choose the **I** option for Install and enter the number for Storage Foundation Cluster File System High Availability. Press Return.
- 7 At the prompt, specify whether you accept the terms of the End User License Agreement (EULA).

```
Do you agree with the terms of the End User License Agreement as
specified in the
storage_foundation_cluster_file_system_ha/EULA/lang/EULA_CFSHA_Ux_6.0.1.pdf
file present
```

```
on the media? [y,n,q,?] y
```

- 8 Select from one of the following install options:
  - Minimal RPMs: installs only the basic functionality for the selected product.
  - Recommended RPMs: installs the full feature set without optional RPMs.
  - All RPMs: installs all available RPMs.

Each option displays the disk space that is required for installation. Select which option you want to install and press Return.

- 9 You are prompted to enter the system names (in the following example, "sys1" and "sys2") on which the software is to be installed. Enter the system name or names and then press Return.

```
Enter the system names separated by spaces:[q?] (sys1 sys2)
```



- 10 During the initial system check, the installer verifies that communication between systems has been set up. The installer prompts you to allow it to set up ssh or rsh. After the installation, the installer cleans up the ssh or rsh as needed.
- 11 After the system checks complete, the installer displays a list of the RPMs that will be installed. Press Enter to continue with the installation.
- 12 You are prompted to choose your licensing method.

To comply with the terms of Symantec's End User License Agreement, you have 60 days to either:

\* Enter a valid license key matching the functionality in use on the systems

\* Enable keyless licensing and manage the systems with a Management Server.

For more details visit <http://go.symantec.com/sfhakeyless>. The product is fully functional during these 60 days.

- 1) Enter a valid license key
- 2) Enable keyless licensing and complete system licensing later

How would you like to license the systems? [1-2,q] (2) 2

If you have a valid license key, select 1 and enter the license key at the prompt. Skip to step 16.

To install using keyless licensing, select 2. You are prompted for the product modes and the options that you want to install and license.

---

**Note:** The keyless license option enables you to install without entering a key. However, you must still have a valid license to install and use Veritas products.

---

Keyless licensing requires that you manage the systems with a Management Server. Refer to the following URL for details:

<http://go.symantec.com/vom>

**13 Select *yes* to enable replication.**

```
Would you like to enable replication? [y,n,q] (n) y
    1) Veritas Volume Replicator
    2) Veritas File Replicator
    3) Both
Please select the replication option you would like to enable
[1-3,q,?] (1) 1
```

**14 Select *yes* to enable the Global Cluster Option.****15 At the prompt, specify whether you want to send your installation information to Symantec.**

```
Would you like to send the information about this installation
to Symantec to help improve installation in the future? [y,n,q,?]
(y) y
```

**16 The product installation completes.**

Review the output and summary files. Reboot nodes as requested. Run the following command to configure SFCFSHA.

```
# /opt/VRTS/install/installsfcfsha<version> -configure
```

Where *<version>* is the specific release version.

See [“About the Veritas installer”](#) on page 42.

# Preparing to configure SFCFSHA clusters for data integrity

This chapter includes the following topics:

- [About planning to configure I/O fencing](#)
- [Setting up the CP server](#)

## About planning to configure I/O fencing

After you configure SFCFSHA with the installer, you must configure I/O fencing in the cluster for data integrity.

You can configure disk-based I/O fencing or server-based I/O fencing. If your enterprise setup has multiple clusters that use VCS for clustering, Symantec recommends you to configure server-based I/O fencing.

The coordination points in server-based fencing can include only CP servers or a mix of CP servers and coordinator disks.

Symantec also supports server-based fencing with a single coordination point which is a single highly available CP server that is hosted on an SFHA cluster.

---

**Warning:** For server-based fencing configurations that use a single coordination point (CP server), the coordination point becomes a single point of failure. In such configurations, the arbitration facility is not available during a failover of the CP server in the SFHA cluster. So, if a network partition occurs on any application cluster during the CP server failover, the application cluster is brought down. Symantec recommends the use of single CP server-based fencing only in test environments.

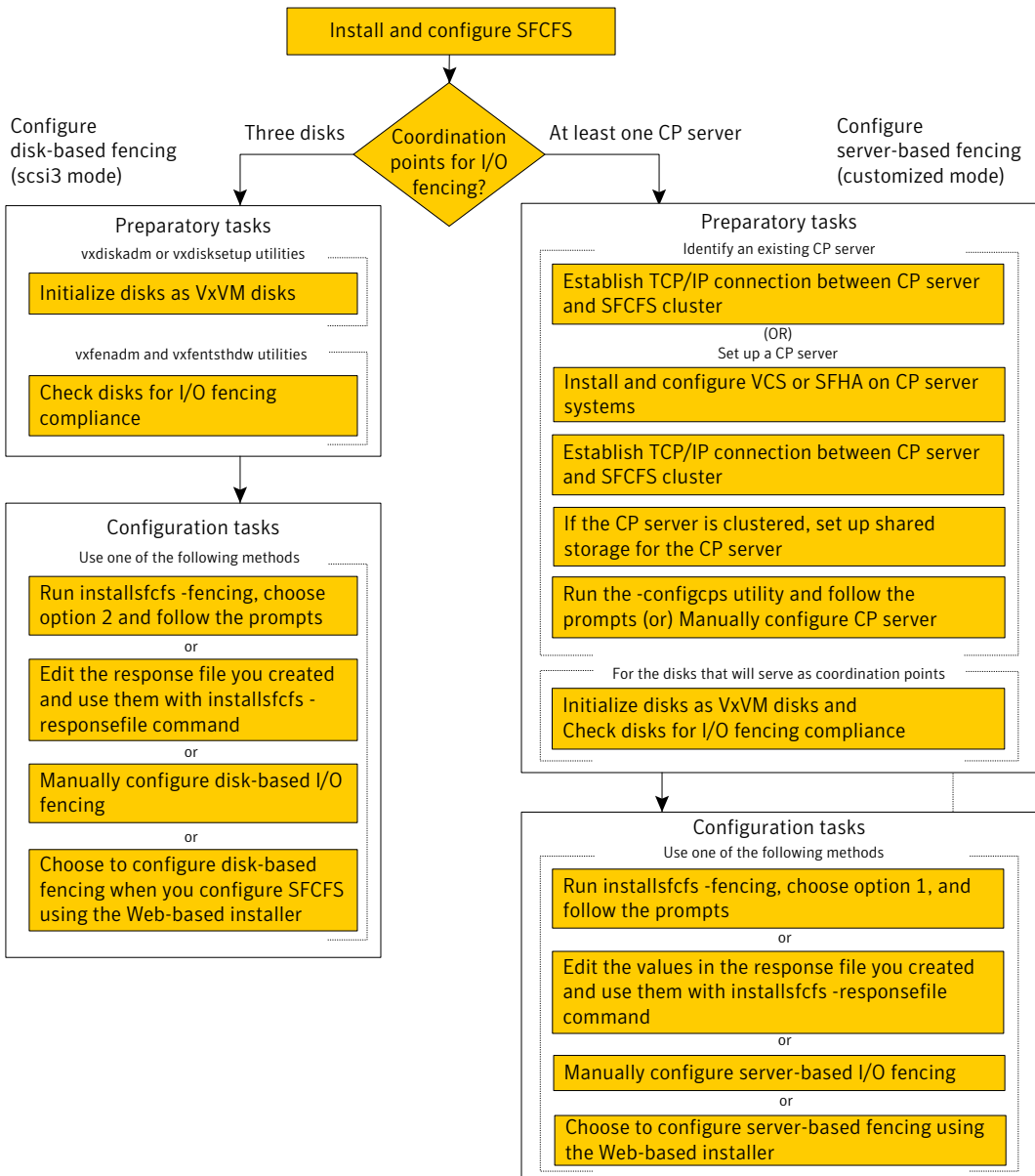
---

If you have installed Storage Foundation Cluster File System High Availability in a virtual environment that is not SCSI-3 PR compliant, you can configure non-SCSI-3 server-based fencing.

See [Figure 7-2](#) on page 70.

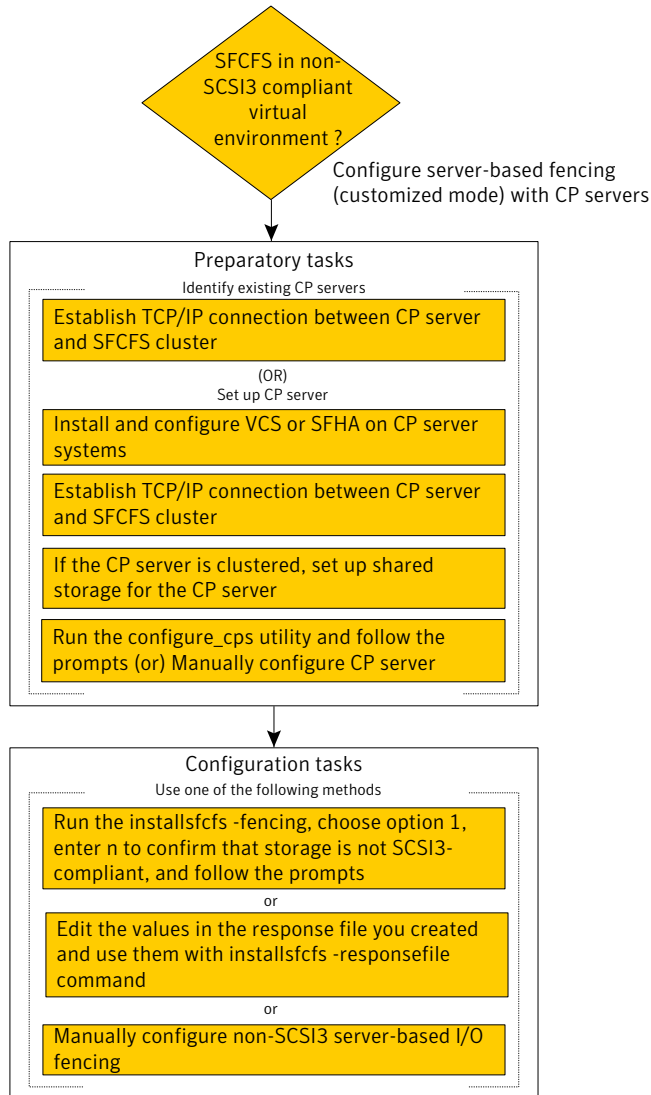
[Figure 7-1](#) illustrates a high-level flowchart to configure I/O fencing for the Storage Foundation Cluster File System High Availability cluster.

**Figure 7-1** Workflow to configure I/O fencing



**Figure 7-2** Illustrates a high-level flowchart to configure non-SCSI-3 server-based I/O fencing for the Storage Foundation Cluster File System High Availability cluster in virtual environments that do not support SCSI-3 PR.

Figure 7-2 Workflow to configure non-SCSI-3 server-based I/O fencing



After you perform the preparatory tasks, you can use any of the following methods to configure I/O fencing:

- Using the `installsfcfs` See [“Setting up disk-based I/O fencing using `installsfcfs`”](#) on page 116.  
 See [“Setting up server-based I/O fencing using `installsfcfs`”](#) on page 124.  
 See [“Setting up non-SCSI-3 server-based I/O fencing in virtual environments using `installsfcfs`”](#) on page 134.
- Using the Web-based installer See [“Configuring Storage Foundation Cluster File System High Availability for data integrity using the Web-based installer”](#) on page 150.
- Using response files See [“Response file variables to configure disk-based I/O fencing”](#) on page 178.  
 See [“Response file variables to configure server-based I/O fencing”](#) on page 186.  
 See [“Response file variables to configure non-SCSI-3 server-based I/O fencing”](#) on page 188.  
 See [“Configuring I/O fencing using response files”](#) on page 177.
- Manually editing configuration files See [“Setting up disk-based I/O fencing manually”](#) on page 205.  
 See [“Setting up server-based I/O fencing manually”](#) on page 210.  
 See [“Setting up non-SCSI-3 fencing in virtual environments manually”](#) on page 223.

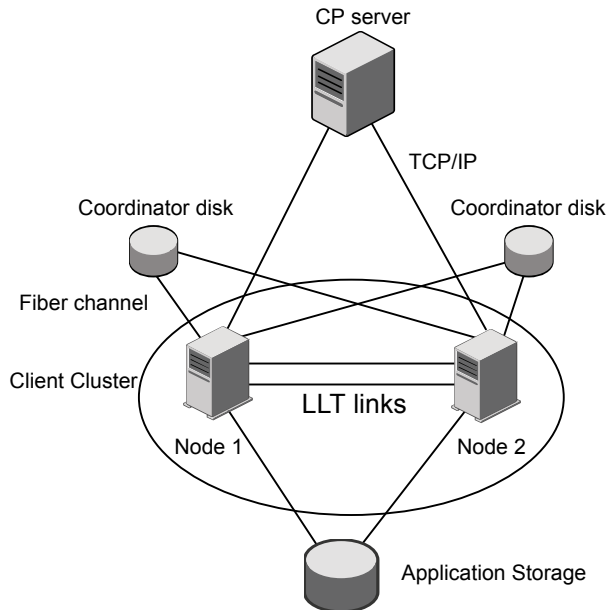
You can also migrate from one I/O fencing configuration to another.

See the *Veritas Storage foundation High Availability Administrator’s Guide* for more details.

## Typical SFCFSHA cluster configuration with server-based I/O fencing

[Figure 7-3](#) displays a configuration using a SFCFSHA cluster (with two nodes), a single CP server, and two coordinator disks. The nodes within the SFCFSHA cluster are connected to and communicate with each other using LLT links.

**Figure 7-3** CP server, SFCFSHA cluster, and coordinator disks



## Recommended CP server configurations

Following are the recommended CP server configurations:

- Multiple application clusters use three CP servers as their coordination points  
 See [Figure 7-4](#) on page 73.
- Multiple application clusters use a single CP server and single or multiple pairs of coordinator disks (two) as their coordination points  
 See [Figure 7-5](#) on page 74.
- Multiple application clusters use a single CP server as their coordination point  
 This single coordination point fencing configuration must use a highly available CP server that is configured on an SFHA cluster as its coordination point.  
 See [Figure 7-6](#) on page 74.

---

**Warning:** In a single CP server fencing configuration, arbitration facility is not available during a failover of the CP server in the SFHA cluster. So, if a network partition occurs on any application cluster during the CP server failover, the application cluster is brought down.

---



Although the recommended CP server configurations use three coordination points, you can use more than three coordination points for I/O fencing. Ensure that the total number of coordination points you use is an odd number. In a configuration where multiple application clusters share a common set of CP server coordination points, the application cluster as well as the CP server use a Universally Unique Identifier (UUID) to uniquely identify an application cluster.

Figure 7-4 displays a configuration using three CP servers that are connected to multiple application clusters.

**Figure 7-4** Three CP servers connecting to multiple application clusters

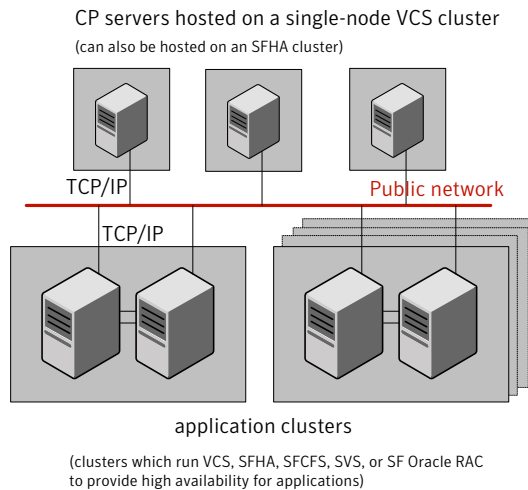


Figure 7-5 displays a configuration using a single CP server that is connected to multiple application clusters with each application cluster also using two coordinator disks.

**Figure 7-5** Single CP server with two coordinator disks for each application cluster

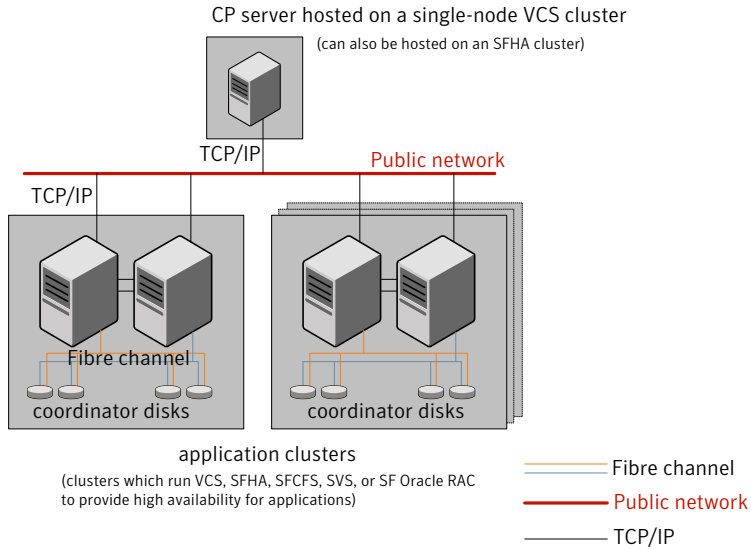
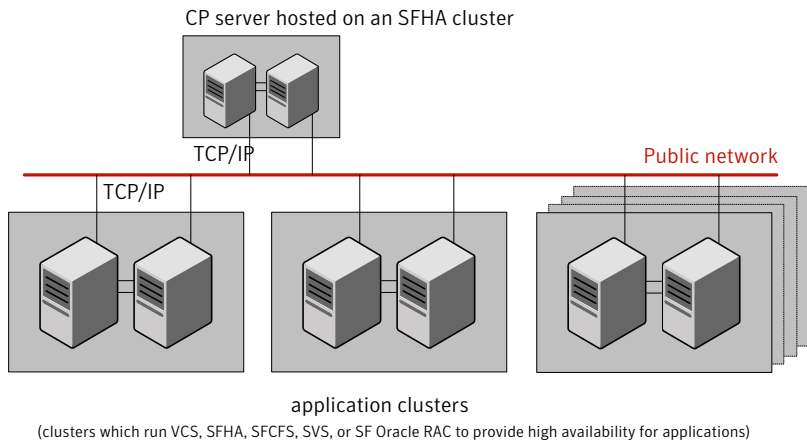


Figure 7-6 displays a configuration using a single CP server that is connected to multiple application clusters.

**Figure 7-6** Single CP server connecting to multiple application clusters



See "Configuration diagrams for setting up server-based I/O fencing" on page 449.

# Setting up the CP server

Table 7-1 lists the tasks to set up the CP server for server-based I/O fencing.

**Table 7-1** Tasks to set up CP server for server-based I/O fencing

Task	Reference
Plan your CP server setup	See <a href="#">“Planning your CP server setup”</a> on page 75.
Install the CP server	See <a href="#">“Installing the CP server using the installer”</a> on page 76.
Configure the CP server cluster in secure mode	See <a href="#">“Configuring the CP server cluster in secure mode”</a> on page 77.
Set up shared storage for the CP server database	See <a href="#">“Setting up shared storage for the CP server database”</a> on page 78.
Configure the CP server	See <a href="#">“Configuring the CP server using the installer program”</a> on page 79. See <a href="#">“Configuring the CP server using the Web-based installer”</a> on page 90. See <a href="#">“Configuring the CP server manually”</a> on page 88. See <a href="#">“Configuring CP server using response files”</a> on page 182.
Verify the CP server configuration	See <a href="#">“Verifying the CP server configuration”</a> on page 90.

## Planning your CP server setup

Follow the planning instructions to set up CP server for server-based I/O fencing.

### To plan your CP server setup

- 1 Decide whether you want to host the CP server on a single-node VCS cluster, or on an SFHA cluster.  
Symantec recommends hosting the CP server on an SFHA cluster to make the CP server highly available.
- 2 If you host the CP server on an SFHA cluster, review the following information. Make sure you make the decisions and meet these prerequisites when you set up the CP server:

- You must set up shared storage for the CP server database during your CP server setup.
  - Decide whether you want to configure server-based fencing for the SFCFSHA cluster (application cluster) with a single CP server as coordination point or with at least three coordination points. Symantec recommends using at least three coordination points.
- 3 Decide whether you want to configure the CP server cluster in secure mode. Symantec recommends configuring the CP server cluster in secure mode to secure the communication between the CP server and its clients (SFCFSHA clusters). It also secures the HAD communication on the CP server cluster.
- 4 Set up the hardware and network for your CP server. See [“CP server requirements”](#) on page 32.
- 5 Have the following information handy for CP server configuration:
- Name for the CP server  
The CP server name should not contain any special characters. CP server name can include alphanumeric characters, underscore, and hyphen.
  - Port number for the CP server  
Allocate a TCP/IP port for use by the CP server. Valid port range is between 49152 and 65535. The default port number is 14250.
  - Virtual IP address, network interface, netmask, and networkhosts for the CP server  
You can configure multiple virtual IP addresses for the CP server.

## Installing the CP server using the installer

Perform the following procedure to install and configure VCS or SFHA on CP server systems.

### To install and configure VCS or SFHA on the CP server systems

- ◆ Depending on whether your CP server uses a single system or multiple systems, perform the following tasks:

CP server setup uses a single system	<p>Install and configure VCS to create a single-node VCS cluster.</p> <p>During installation, make sure to select all RPMs for installation. The VRTScps RPM is installed only if you select to install all RPMs.</p> <p>See the <i>Veritas Cluster Server Installation Guide</i> for instructions on installing and configuring VCS.</p> <p>Proceed to configure the CP server.</p> <p>See “<a href="#">Configuring the CP server using the installer program</a>” on page 79.</p> <p>See “<a href="#">Configuring the CP server manually</a>” on page 88.</p>
CP server setup uses multiple systems	<p>Install and configure SFHA to create an SFHA cluster. This makes the CP server highly available.</p> <p>Meet the following requirements for CP server:</p> <ul style="list-style-type: none"> <li>■ During installation, make sure to select all RPMs for installation. The VRTScps RPM is installed only if you select to install all RPMs.</li> <li>■ During configuration, configure disk-based fencing (scsi3 mode).</li> </ul> <p>See the <i>Veritas Storage Foundation and High Availability Installation Guide</i> for instructions on installing and configuring SFHA.</p> <p>Proceed to set up shared storage for the CP server database.</p>

## Configuring the CP server cluster in secure mode

You must configure security on the CP server only if you want to secure the communication between the CP server and the SFCFSHA cluster (CP client).

This step secures the HAD communication on the CP server cluster.

---

**Note:** If you already configured the CP server cluster in secure mode during the VCS configuration, then skip this section.

---

**To configure the CP server cluster in secure mode**

- ◆ Run the installer as follows to configure the CP server cluster in secure mode.

If you have VCS installed on the CP server, run the following command:

```
# /opt/VRTS/install/installvcs<version> -security
```

Where *<version>* is the specific release version.

See [“About the Veritas installer”](#) on page 42.

If you have SFHA installed on the CP server, run the following command:

```
# /opt/VRTS/install/installsfha<version> -security
```

Where *<version>* is the specific release version.

See [“About the Veritas installer”](#) on page 42.

## Setting up shared storage for the CP server database

If you configured SFHA on the CP server cluster, perform the following procedure to set up shared storage for the CP server database.

Symantec recommends that you create a mirrored volume for the CP server database and that you use the VxFS file system type.

### To set up shared storage for the CP server database

- 1 Create a disk group containing the disks. You require two disks to create a mirrored volume.

For example:

```
# vxdg init cps_dg disk1 disk2
```

- 2 Create a mirrored volume over the disk group.

For example:

```
# vxassist -g cps_dg make cps_vol volume_size layout=mirror
```

- 3 Create a file system over the volume.

The CP server configuration utility only supports vxfs file system type. If you use an alternate file system, then you must configure CP server manually.

Depending on the operating system that your CP server runs, enter the following command:

```
AIX # mkfs -V vxfs /dev/vx/rdisk/cps_dg/cps_volume
```

```
HP-UX # mkfs -F vxfs /dev/vx/rdisk/cps_dg/cps_volume
```

```
Linux # mkfs -t vxfs /dev/vx/rdisk/cps_dg/cps_volume
```

```
Solaris # mkfs -F vxfs /dev/vx/rdisk/cps_dg/cps_volume
```

## Configuring the CP server using the installer program

Use the `configcps` option available in the installer program to configure the CP server.

Perform one of the following procedures:

For CP servers on single-node VCS cluster: See [“To configure the CP server on a single-node VCS cluster”](#) on page 80.

For CP servers on an SFHA cluster: See [“To configure the CP server on an SFHA cluster”](#) on page 84.

**To configure the CP server on a single-node VCS cluster**

1 Verify that the `VRTScps` package is installed on the node.

2 Run the `installvcs<version>` program with the `configcps` option.

```
# /opt/VRTS/install/installvcs<version> -configcps
```

Where `<version>` is the specific release version.

See [“About the Veritas installer”](#) on page 42.

3 Installer checks the cluster information and prompts if you want to configure CP Server on the cluster.

Enter `y` to confirm.

4 Select an option based on how you want to configure Coordination Point server.

```
1) Configure Coordination Point Server on single node VCS system
2) Configure Coordination Point Server on SFHA cluster
3) Unconfigure Coordination Point Server
```

5 Enter the option: `[1-3,q] 1`.

The installer then runs the following preconfiguration checks:

- Checks to see if a single-node VCS cluster is running with the supported platform.

The CP server requires VCS to be installed and configured before its configuration.

- Checks to see if the CP server is already configured on the system. If the CP server is already configured, then the installer informs the user and requests that the user unconfigure the CP server before trying to configure it.

6 Enter the name of the CP Server.

```
Enter the name of the CP Server: [b] mycpserver1
```



- 7 Enter valid virtual IP addresses for the CP Server. A CP Server can be configured with more than one virtual IP address. You can also use IPv6 address.

Enter valid IP addresses for Virtual IPs for the CP Server, separated by space [b] **10.200.58.231 10.200.58.232**

---

**Note:** Ensure that the virtual IP address of the CP server and the IP address of the NIC interface on the CP server belongs to the same subnet of the IP network. This is required for communication to happen between client nodes and CP server.

---

- 8 Enter the corresponding CP server port number for each virtual IP address or press Enter to accept the default value (14250).

Enter corresponding port number for each Virtual IP address in the range [49152, 65535], separated by space, or simply accept the default port suggested: [b] **(14250) 65535**

- 9 Choose whether the communication between the CP server and the VCS clusters has to be made secure. If you have not configured the CP server cluster in secure mode, enter **n** at the prompt.

---

**Warning:** If the CP server cluster is not configured in secure mode, and if you enter **y**, then the script immediately exits. You must configure the CP server cluster in secure mode and rerun the CP server configuration script.

---

Symantec recommends secure communication between the CP server and application clusters. Enabling security requires Symantec Product Authentication Service to be installed and configured on the cluster. Do you want to enable Security for the communications? [y,n,q,b] (y) **n**

- 10 Enter the absolute path of the CP server database or press **Enter** to accept the default value (/etc/VRTScps/db).

Enter absolute path of the database: [b] **(/etc/VRTScps/db)**

**11 Verify and confirm the CP server configuration information.**

```
CP Server configuration verification:
-----
CP Server Name: mycpserver1
CP Server Virtual IP(s): 10.200.58.231, 10.200.58.232
CP Server Port(s): 65535, 14250
CP Server Security: 0
CP Server Database Dir: /etc/VRTScps/db
-----
```

Is this information correct? [y,n,q,?] **(y)**

**12 The installer proceeds with the configuration process, and creates a vxcps.conf configuration file.**

```
Successfully generated the /etc/vxcps.conf configuration file
Successfully created directory /etc/VRTScps/db on node
```

**13 Configure the CP Server Service Group (CPSSG) for this cluster.**

```
Enter the number of NIC resources that you want to configure.
You must use a public NIC.
Enter how many NIC resources you want to configure (1 to 2): 2
```

Answer the following questions for each NIC resource that you want to configure.

**14 Enter a valid network interface for the virtual IP address for the CP server process.**

```
Enter a valid network interface on linux92216 for NIC resource - 1: eth0
Enter a valid network interface on linux92216 for NIC resource - 2: eth1
```

**15 Enter the NIC resource you want to associate with the virtual IP addresses.**

```
Enter the NIC resource you want to associate with the virtual IP 10.200.58.231 (1 to 2): 1
Enter the NIC resource you want to associate with the virtual IP 10.200.58.232 (1 to 2): 2
```

## 16 Enter the networkhosts information for each NIC resource.

Symantec recommends configuring NetworkHosts attribute to ensure NIC resource to be always online

```
Do you want to add NetworkHosts attribute for the NIC device eth0
on system linux92216? [y,n,q] y
Enter a valid IP address to configure NetworkHosts for NIC eth0
on system linux92216: 10.200.56.22
```

```
Do you want to add another Network Host? [y,n,q] n
```

## 17 Enter the netmask for virtual IP addresses. If you entered an IPv6 address, enter the prefix details at the prompt.

```
Enter the netmask for virtual IP 10.200.58.231: (255.255.252.0)
Enter the netmask for virtual IP 10.200.58.232: (255.255.252.0)
```

## 18 Installer displays the status of the Coordination Point Server configuration. After the configuration process has completed, a success message appears.

```
For example:
Updating main.cf with CPSSG service group.. Done
Successfully added the CPSSG service group to VCS configuration.
Trying to bring CPSSG service group
ONLINE and will wait for upto 120 seconds
```

```
The Veritas Coordination Point Server is ONLINE
```

```
The Veritas Coordination Point Server has been
configured on your system.
```

## 19 Run the hagrps -state command to ensure that the CPSSG service group has been added.

```
For example:
# hagrps -state CPSSG
#Group Attribute System Value
CPSSG State... |ONLINE|
```

It also generates the configuration file for CP server (/etc/vxcps.conf). The vxcpserv process and other resources are added to the VCS configuration in the CP server service group (CPSSG).

For information about the CPSSG, refer to the *Veritas Cluster Server Administrator's Guide*.

### To configure the CP server on an SFHA cluster

- 1 Verify that the `VRTScps` package is installed on each node.
- 2 Ensure that you have configured passwordless ssh or rsh on the CP server cluster nodes.
- 3 Run the `installsfha<version>` program with the `configcps` option.

```
# ./installsfha<version> -configcps
```

Where `<version>` is the specific release version.

See [“About the Veritas installer”](#) on page 42.

- 4 Installer checks the cluster information and prompts if you want to configure CP Server on the cluster.  
 Enter `y` to confirm.
- 5 Select an option based on how you want to configure Coordination Point server.

```
1) Configure Coordination Point Server on single node VCS system
2) Configure Coordination Point Server on SFHA cluster
3) Unconfigure Coordination Point Server
```

- 6 Enter `2` at the prompt to configure CP server on an SFHA cluster.

The installer then runs the following preconfiguration checks:

- Checks to see if an SFHA cluster is running with the supported platform. The CP server requires SFHA to be installed and configured before its configuration.
- Checks to see if the CP server is already configured on the system. If the CP server is already configured, then the installer informs the user and requests that the user unconfigure the CP server before trying to configure it.

- 7 Enter the name of the CP server.

```
Enter the name of the CP Server: [b] cps1
```

- 8 Enter valid virtual IP addresses for the CP Server. A CP Server can be configured with more than one virtual IP address. You can also use IPv6 address.

```
Enter valid IP addresses for Virtual IPs for the CP Server,
separated by space [b] 10.200.58.231 10.200.58.232
```

- 9 Enter the corresponding CP server port number for each virtual IP address or press Enter to accept the default value (14250).

Enter corresponding port number for each Virtual IP address in the range [49152, 65535], separated by space, or simply accept the default port suggested: [b] **(14250) 65535**

- 10 Choose whether the communication between the CP server and the VCS clusters has to be made secure. If you have not configured the CP server cluster in secure mode, enter **n** at the prompt.

---

**Warning:** If the CP server cluster is not configured in secure mode, and if you enter **y**, then the script immediately exits. You must configure the CP server cluster in secure mode and rerun the CP server configuration script.

---

Symantec recommends secure communication between the CP server and application clusters. Enabling security requires Symantec Product Authentication Service to be installed and configured on the cluster.

Do you want to enable Security for the communications? [y,n,q,b] **(y)**

- 11 Enter absolute path of the database.

CP Server uses an internal database to store the client information. As the CP Server is being configured on SFHA cluster, the database should reside on shared storage with vxfs file system. Please refer to documentation for information on setting up of shared storage for CP server database.

Enter absolute path of the database: [b] **/cpsdb**

- 12 Verify and confirm the CP server configuration information.

CP Server configuration verification:

```
CP Server Name: cps1
CP Server Virtual IP(s): 10.200.58.231, 10.200.58.232
CP Server Port(s): 65535, 14250
CP Server Security: 1
CP Server Database Dir: /cpsdb
```

Is this information correct? [y,n,q,?] **(y)**

**13 The installer proceeds with the configuration process, and creates a vxcps.conf configuration file.**

```
Successfully generated the /etc/vxcps.conf configuration file
Copying configuration file /etc/vxcps.conf to sys0....Done
Creating mount point /cps_mount_data on sys0. ... Done
Copying configuration file /etc/vxcps.conf to sys0. ... Done
Press Enter to continue.
```

**14 Configure CP Server Service Group (CPSSG) for this cluster.**

Enter the number of NIC resources that you want to configure. You must use a public NIC.

Enter how many NIC resources you want to configure (1 to 2): **2**

Answer the following questions for each NIC resource that you want to configure.

**15 Enter a valid network interface for the virtual IP address for the CP server process.**

Enter a valid network interface on linux92216 for NIC resource - 1: eth0

Enter a valid network interface on linux92216 for NIC resource - 2: eth1

**16 Enter the NIC resource you want to associate with the virtual IP addresses.**

Enter the NIC resource you want to associate with the virtual IP 10.200.58.231 (1 to 2): 1

Enter the NIC resource you want to associate with the virtual IP 10.200.58.232 (1 to 2): 2

**17 Enter the networkhosts information for each NIC resource.**

Symantec recommends configuring NetworkHosts attribute to ensure NIC resource to be always online

Do you want to add NetworkHosts attribute for the NIC device eth0 on system linux92216? [y,n,q] **y**

Enter a valid IP address to configure NetworkHosts for NIC eth0 on system linux92216: **10.200.56.22**

Do you want to add another Network Host? [y,n,q] **n**

Do you want to apply the same NetworkHosts for all systems? [y,n,q] **(y)**

- 18** Enter the netmask for virtual IP addresses. If you entered an IPv6 address, enter the prefix details at the prompt.

```
Enter the netmask for virtual IP 10.200.58.231: (255.255.252.0)
Enter the netmask for virtual IP 10.200.58.232: (255.255.252.0)
```

- 19** Configure a disk group for CP server database. You can choose an existing disk group or create a new disk group.

Symantec recommends to use the disk group that has at least two disks on which mirrored volume can be created.  
 Select one of the options below for CP Server database disk group:

- 1) Create a new disk group
- 2) Using an existing disk group

```
Enter the choice for a disk group: [1-2,q] 2
```

- 20** Select one disk group as the CP Server database disk group.

```
Select one disk group as CP Server database disk group: [1-3,q] 3
1) mycpsdg
2) cpsdgl
3) newcpsdg
```

- 21** Select the CP Server database volume.

You can choose to use an existing volume or create new volume for CP Server database. If you chose newly created disk group, you can only choose to create new volume for CP Server database.

Select one of the options below for CP Server database volume:

- 1) Create a new volume on disk group newcpsdg
- 2) Using an existing volume on disk group newcpsdg

- 22** Enter the choice for a volume: [1-2,q] 2.

- 23** Select one volume as CP Server database volume [1-1,q] 1

```
1) newcpsvol
```

- 24** After the VCS configuration files are updated, a success message appears.

```
For example:
Updating main.cf with CPSSG service group .... Done
Successfully added the CPSSG service group to VCS configuration.
```

- 25** If the cluster is secure, installer creates the softlink `/var/VRTSvcs/vcsauth/data/CPSERVER` to `/cpsdb/CPSERVER` and check if credentials are already present at `/cpsdb/CPSERVER`. If not, installer creates credentials in the directory, otherwise, installer asks if you want to reuse existing credentials.

```
Do you want to reuse these credentials? [y,n,q] (y)
```

- 26** After the configuration process has completed, a success message appears.

```
For example:
Trying to bring CPSSG service group ONLINE and will wait for upto 120 seconds
The Veritas Coordination Point Server is ONLINE
The Veritas Coordination Point Server has been configured on your system.
```

- 27** Run the `hagrp -state` command to ensure that the CPSSG service group has been added.

```
For example:
# hagrp -state CPSSG
#Group Attribute System Value
CPSSG State cps1 |ONLINE|
CPSSG State cps2 |OFFLINE|
```

It also generates the configuration file for CP server (`/etc/vxcps.conf`). The `vxcpserv` process and other resources are added to the VCS configuration in the CP server service group (CPSSG).

For information about the CPSSG, refer to the *Veritas Cluster Server Administrator's Guide*.

## Configuring the CP server manually

Perform the following steps to manually configure the CP server.



### To manually configure the CP server

- 1 Stop VCS on each node in the CP server cluster using the following command:

```
# hstop -local
```

- 2 Edit the `main.cf` file to add the CPSSG service group on any node. Use the CPSSG service group in the sample `main.cf` as an example:

See [“Sample configuration files for CP server”](#) on page 388.

Customize the resources under the CPSSG service group as per your configuration.

- 3 Verify the `main.cf` file using the following command:

```
# hacf -verify /etc/VRTSvcs/conf/config
```

If successfully verified, copy this `main.cf` to all other cluster nodes.

- 4 Create the `/etc/vxcps.conf` file using the sample configuration file provided at `/etc/vxcps/vxcps.conf.sample`.

Based on whether you have configured the CP server cluster in secure mode or not, do the following:

- For a CP server cluster which is configured in secure mode, edit the `/etc/vxcps.conf` file to set `security=1`.
- For a CP server cluster which is not configured in secure mode, edit the `/etc/vxcps.conf` file to set `security=0`.

Symantec recommends enabling security for communication between CP server and the application clusters.

- 5 Start VCS on all the cluster nodes.

```
# hstart
```

- 6 Verify that the CP server service group (CPSSG) is online.

```
# hagrps -state CPSSG
```

Output similar to the following appears:

```
# Group Attribute System Value
CPSSG State cps1.symantecexample.com |ONLINE|
```

## Verifying the CP server configuration

Perform the following steps to verify the CP server configuration.

### To verify the CP server configuration

- 1 Verify that the following configuration files are updated with the information you provided during the CP server configuration process:
  - `/etc/vxcps.conf` (CP server configuration file)
  - `/etc/VRTSvcs/conf/config/main.cf` (VCS configuration file)
  - `/etc/VRTScps/db` (default location for CP server database)
- 2 Run the `cpsadm` command to check if the `vxcpserv` process is listening on the configured Virtual IP.

```
# cpsadm -s cp_server -a ping_cps
```

where `cp_server` is the virtual IP address or the virtual hostname of the CP server.

## Configuring the CP server using the Web-based installer

Perform the following steps to configure the CP server using the Web-based installer.

### To configure Storage Foundation Cluster File System High Availability on a cluster

- 1 Start the Web-based installer.  
 See [“Starting the Veritas Web-based installer”](#) on page 140.
- 2 On the Select a task and a product page, select the task and the product as follows:

Task	I/O fencing configuration
Product	Storage Foundation Cluster File System/HA

Click **Next**.

- 3 On the Select Cluster page, enter the system names where you want to configure Storage Foundation Cluster File System High Availability and click **Next**.
- 4 In the Confirmation dialog box, verify cluster information is correct and choose whether or not to configure I/O fencing.
  - To configure I/O fencing, click **Yes**.
  - To configure I/O fencing later, click **No**.

- 5 On the Select Option page, select Configure CP Server on VCS and click **Next**.
- 6 On the Configure CP Server page, provide CP server information, such as, name, virtual IPs, port numbers, and absolute path of the database to store the configuration details.

Click **Next**.

- 7 Configure the CP Server Service Group (CPSSG), select the number of NIC resources, and associate NIC resources to virtual IPs that are going to be used to configure the CP Server.

Click **Next**.

- 8 Configure network hosts for the CP server.

Click **Next**.

- 9 Configure disk group for the CP server.

Click **Next**.

---

**Note:** This step is not applicable for a single node cluster.

---

- 10 Configure volume for the disk group associated to the CP server.

Click **Next**.

---

**Note:** This step is not applicable for a single node cluster.

---

- 11 Click **Finish** to complete configuring the CP server.

# Configuring SFCFSHA

This chapter includes the following topics:

- [Overview of tasks to configure Storage Foundation Cluster File System High Availability using the script-based installer](#)
- [Starting the software configuration](#)
- [Specifying systems for configuration](#)
- [Configuring the cluster name](#)
- [Configuring private heartbeat links](#)
- [Configuring the virtual IP of the cluster](#)
- [Configuring Veritas Storage Foundation Cluster File System High Availability in secure mode](#)
- [Configuring a secure cluster node by node](#)
- [Adding VCS users](#)
- [Configuring SMTP email notification](#)
- [Configuring SNMP trap notification](#)
- [Configuring global clusters](#)
- [Completing the SFCFSHA configuration](#)
- [Verifying and updating licenses on the system](#)
- [Configuring the Storage Foundation for Databases repository database after installation](#)

# Overview of tasks to configure Storage Foundation Cluster File System High Availability using the script-based installer

**Table 8-1** lists the tasks that are involved in configuring Storage Foundation Cluster File System High Availability using the script-based installer.

**Table 8-1** Tasks to configure Storage Foundation Cluster File System High Availability using the script-based installer

Task	Reference
Start the software configuration	See <a href="#">“Starting the software configuration”</a> on page 94.
Specify the systems where you want to configure Storage Foundation Cluster File System High Availability	See <a href="#">“Specifying systems for configuration”</a> on page 95.
Configure the basic cluster	See <a href="#">“Configuring the cluster name”</a> on page 96. See <a href="#">“Configuring private heartbeat links”</a> on page 96.
Configure virtual IP address of the cluster (optional)	See <a href="#">“Configuring the virtual IP of the cluster”</a> on page 99.
Configure the cluster in secure mode (optional)	See <a href="#">“Configuring Veritas Storage Foundation Cluster File System High Availability in secure mode”</a> on page 101.
Add VCS users (required if you did not configure the cluster in secure mode)	See <a href="#">“Adding VCS users”</a> on page 106.
Configure SMTP email notification (optional)	See <a href="#">“Configuring SMTP email notification”</a> on page 107.
Configure SNMP email notification (optional)	See <a href="#">“Configuring SNMP trap notification”</a> on page 108.
Configure global clusters (optional) <b>Note:</b> You must have enabled Global Cluster Option when you installed Storage Foundation Cluster File System High Availability.	See <a href="#">“Configuring global clusters”</a> on page 110.

**Table 8-1** Tasks to configure Storage Foundation Cluster File System High Availability using the script-based installer (*continued*)

Task	Reference
Complete the software configuration	See <a href="#">“Completing the SFCFSHA configuration”</a> on page 111.

## Starting the software configuration

You can configure Storage Foundation Cluster File System High Availability using the Veritas product installer or the `installsfcfsha` command.

---

**Note:** If you want to reconfigure Storage Foundation Cluster File System High Availability, before you start the installer you must stop all the resources that are under VCS control using the `hastop` command or the `hagrps -offline` command.

---

### To configure Storage Foundation Cluster File System High Availability using the product installer

- 1 Confirm that you are logged in as the superuser and that you have mounted the product disc.
- 2 Start the installer.

```
# ./installer
```

The installer starts the product installation program with a copyright message and specifies the directory where the logs are created.

- 3 From the opening Selection Menu, choose: `c` for "Configure an Installed Product."
- 4 From the displayed list of products to configure, choose the corresponding number for your product:

Storage Foundation Cluster File System High Availability

### To configure Storage Foundation Cluster File System High Availability using the `installsfcfsha` program

- 1 Confirm that you are logged in as the superuser.
- 2 Start the `installsfcfsha` program, with the `configure` option.

```
# /opt/VRTS/install/installsfcfsha<version> -configure
```

Where `<version>` is the specific release version.

See [“About the Veritas installer”](#) on page 42.

The installer begins with a copyright message and specifies the directory where the logs are created.

## Specifying systems for configuration

The installer prompts for the system names on which you want to configure Storage Foundation Cluster File System High Availability. The installer performs an initial check on the systems that you specify.

### To specify system names for configuration

- 1 Enter the names of the systems where you want to configure Storage Foundation Cluster File System High Availability.

```
Enter the operating_system system names separated  
by spaces: [q,?] (sys1) sys1 sys2
```

- 2 Review the output as the installer verifies the systems you specify.

The installer does the following tasks:

- Checks that the local node running the installer can communicate with remote nodes  
If the installer finds `ssh` binaries, it confirms that `ssh` can operate without requests for passwords or passphrases. If `ssh` binaries cannot communicate with remote nodes, the installer tries `remsh` binaries. And if both `ssh` and `rsh` binaries fail, the installer prompts to help the user to setup `ssh` or `rsh` binaries.
- Makes sure that the systems are running with the supported operating system
- Verifies that Storage Foundation Cluster File System High Availability is installed

- Exits if Veritas Storage Foundation Cluster File System High Availability 6.0.1 is not installed
- 3 Review the installer output about the I/O fencing configuration and confirm whether you want to configure fencing in enabled mode.

```
Do you want to configure I/O Fencing in enabled mode? [y,n,q,?] (y)
```

See [“About planning to configure I/O fencing”](#) on page 67.

## Configuring the cluster name

Enter the cluster information when the installer prompts you.

### To configure the cluster

- 1 Review the configuration instructions that the installer presents.
- 2 Enter a unique cluster name.

```
Enter the unique cluster name: [q,?] clus1
```

## Configuring private heartbeat links

You now configure the private heartbeat links that LLT uses. VCS provides the option to use LLT over Ethernet or over UDP (User Datagram Protocol). Symantec recommends that you configure heartbeat links that use LLT over Ethernet for high performance, unless hardware requirements force you to use LLT over UDP. If you want to configure LLT over UDP, make sure you meet the prerequisites.

See [“Using the UDP layer for LLT”](#) on page 456.

The following procedure helps you configure LLT over Ethernet.

### To configure private heartbeat links

- 1 Choose one of the following options at the installer prompt based on whether you want to configure LLT over Ethernet or UDP.
  - Option 1: LLT over Ethernet (answer installer questions)  
Enter the heartbeat link details at the installer prompt to configure LLT over Ethernet.  
Skip to step 2.
  - Option 2: LLT over UDP (answer installer questions)  
Make sure that each NIC you want to use as heartbeat link has an IP address configured. Enter the heartbeat link details at the installer prompt to configure LLT over UDP. If you had not already configured IP addresses



to the NICs, the installer provides you an option to detect the IP address for a given NIC.

Skip to step 3.

- Option 3: Automatically detect configuration for LLT over Ethernet  
Allow the installer to automatically detect the heartbeat link details to configure LLT over Ethernet. The installer tries to detect all connected links between all systems.  
Make sure that you activated the NICs for the installer to be able to detect and automatically configure the heartbeat links.  
Skip to step 5.

---

**Note:** Option 3 is not available when the configuration is a single node configuration.

---

- 2 If you chose option 1, enter the network interface card details for the private heartbeat links.

The installer discovers and lists the network interface cards.

You must not enter the network interface card that is used for the public network (typically eth0.)

```
Enter the NIC for the first private heartbeat link on sys1:
```

```
[b,q,?] eth1
```

```
eth1 has an IP address configured on it. It could be a  
public NIC on sys1.
```

```
Are you sure you want to use eth1 for the first private  
heartbeat link? [y,n,q,b,?] (n) y
```

```
Would you like to configure a second private heartbeat link?
```

```
[y,n,q,b,?] (y)
```

```
Enter the NIC for the second private heartbeat link on sys1:
```

```
[b,q,?] eth2
```

```
eth2 has an IP address configured on it. It could be a  
public NIC on sys1.
```

```
Are you sure you want to use eth2 for the second private  
heartbeat link? [y,n,q,b,?] (n) y
```

```
Would you like to configure a third private heartbeat link?
```

```
[y,n,q,b,?] (n)
```

```
Do you want to configure an additional low priority heartbeat  
link? [y,n,q,b,?] (n)
```

- 3** If you chose option 2, enter the NIC details for the private heartbeat links. This step uses examples such as *private\_NIC1* or *private\_NIC2* to refer to the available names of the NICs.

```

Enter the NIC for the first private heartbeat
link on sys1: [b,q,?] private_NIC1
Do you want to use address 192.168.0.1 for the
first private heartbeat link on sys1: [y,n,q,b,?] (y)
Enter the UDP port for the first private heartbeat
link on sys1: [b,q,?] (50000) ?
Would you like to configure a second private
heartbeat link? [y,n,q,b,?] (y)
Enter the NIC for the second private heartbeat
link on sys1: [b,q,?] private_NIC2
Do you want to use address 192.168.1.1 for the
second private heartbeat link on sys1: [y,n,q,b,?] (y)
Enter the UDP port for the second private heartbeat
link on sys1: [b,q,?] (50001) ?
Do you want to configure an additional low priority
heartbeat link? [y,n,q,b,?] (n) y
Enter the NIC for the low priority heartbeat
link on sys1: [b,q,?] (private_NIC0)
Do you want to use address 192.168.3.1 for
the low priority heartbeat link on sys1: [y,n,q,b,?] (y)
Enter the UDP port for the low priority heartbeat
link on sys1: [b,q,?] (50004)

```

- 4** Choose whether to use the same NIC details to configure private heartbeat links on other systems.

```

Are you using the same NICs for private heartbeat links on all
systems? [y,n,q,b,?] (y)

```

If you want to use the NIC details that you entered for sys1, make sure the same NICs are available on each system. Then, enter **y** at the prompt.

For LLT over UDP, if you want to use the same NICs on other systems, you still must enter unique IP addresses on each NIC for other systems.

If the NIC device names are different on some of the systems, enter **n**. Provide the NIC details for each system as the program prompts.

- 5 If you chose option 3, the installer detects NICs on each system and network links, and sets link priority.

If the installer fails to detect heartbeat links or fails to find any high-priority links, then choose option 1 or option 2 to manually configure the heartbeat links.

See step 2 for option 1, or step 3 for option 2.

- 6 Enter a unique cluster ID:

```
Enter a unique cluster ID number between 0-65535: [b,q,?] (60842)
```

The cluster cannot be configured if the cluster ID 60842 is in use by another cluster. Installer performs a check to determine if the cluster ID is duplicate. The check takes less than a minute to complete.

```
Would you like to check if the cluster ID is in use by another  
cluster? [y,n,q] (y)
```

- 7 Verify and confirm the information that the installer summarizes.

## Configuring the virtual IP of the cluster

You can configure the virtual IP of the cluster to use to connect from the Cluster Manager (Java Console), Veritas Operations Manager (VOM), or to specify in the RemoteGroup resource.

See the *Veritas Cluster Server Administrator's Guide* for information on the Cluster Manager.

See the *Veritas Cluster Server Bundled Agents Reference Guide* for information on the RemoteGroup agent.

### To configure the virtual IP of the cluster

- 1 Review the required information to configure the virtual IP of the cluster.
- 2 When the system prompts whether you want to configure the virtual IP, enter `y`.
- 3 Confirm whether you want to use the discovered public NIC on the first system. Do one of the following:
  - If the discovered NIC is the one to use, press `Enter`.
  - If you want to use a different NIC, type the name of a NIC to use and press `Enter`.

```
Active NIC devices discovered on sys1: eth0
Enter the NIC for Virtual IP of the Cluster to use on sys1:
[b,q,?] (eth0)
```

**4** Confirm whether you want to use the same public NIC on all nodes.

Do one of the following:

- If all nodes use the same public NIC, enter *y*.
- If unique NICs are used, enter *n* and enter a NIC for each node.

```
Is eth0 to be the public NIC used by all systems
[y,n,q,b,?] (y)
```

**5** Enter the virtual IP address for the cluster.

You can enter either an IPv4 address or an IPv6 address.

For IPv4:     ■ Enter the virtual IP address.

```
Enter the Virtual IP address for the Cluster:
[b,q,?] 192.168.1.16
```

- Confirm the default netmask or enter another one:

```
Enter the netmask for IP 192.168.1.16: [b,q,?]
(255.255.240.0)
```

- Verify and confirm the Cluster Virtual IP information.

Cluster Virtual IP verification:

```
NIC: eth0
IP: 192.168.1.16
Netmask: 255.255.240.0
```

```
Is this information correct? [y,n,q] (y)
```

For IPv6

- Enter the virtual IP address.

```
Enter the Virtual IP address for the Cluster:
[b, q, ?] 2001:454e:205a:110:203:baff:feee:10
```

- Enter the prefix for the virtual IPv6 address you provided. For example:

```
Enter the Prefix for IP
2001:454e:205a:110:203:baff:feee:10: [b, q, ?] 64
```

- Verify and confirm the Cluster Virtual IP information.

```
Cluster Virtual IP verification:
```

```
NIC: eth0
IP: 2001:454e:205a:110:203:baff:feee:10
Prefix: 64
```

```
Is this information correct? [y, n, q] (y)
```

If you want to set up trust relationships for your secure cluster, refer to the following topics:

See [“Configuring a secure cluster node by node”](#) on page 102.

## Configuring Veritas Storage Foundation Cluster File System High Availability in secure mode

Configuring SFCFSHA in secure mode ensures that all the communication between the systems is encrypted and users are verified against security credentials. SFCFSHA user names and passwords are not used when a cluster is running in secure mode. You can select the secure mode to be FIPS compliant while configuring the secure mode.

**To configure SFCFSHA in secure mode**

**1** Enter appropriate choices when the installer prompts you:

```
Would you like to configure the VCS cluster in
secure mode [y,n,q] (n) y
1. Configure the cluster in secure mode without FIPS
2. Configure the cluster in secure mode with FIPS
3. Back to previous menu
Select the option you would like to perform [1-2,b,q] (1) 2
```

**2** To verify the cluster is in secure mode after configuration, run the command:

```
# haclus -<value> SecureClus
```

The command returns 1 if cluster is in secure mode, else returns 0.

## Configuring a secure cluster node by node

For environments that do not support passwordless ssh or passwordless rsh, you cannot use the `-security` option to enable secure mode for your cluster. Instead, you can use the `-securityonnode` option to configure a secure cluster node by node. Moreover, to enable security in fips mode, use the `-fips` option together with `-securityonnode`.

[Table 8-2](#) lists the tasks that you must perform to configure a secure cluster.

**Table 8-2** Configuring a secure cluster node by node

Task	Reference
Configure security on one node	See <a href="#">“Configuring the first node”</a> on page 102.
Configure security on the remaining nodes	See <a href="#">“Configuring the remaining nodes”</a> on page 103.
Complete the manual configuration steps	See <a href="#">“Completing the secure cluster configuration”</a> on page 104.

### Configuring the first node

Perform the following steps on one node in your cluster.

### To configure security on the first node

- 1 Ensure that you are logged in as superuser.
- 2 Enter the following command:

```
# /opt/VRTS/install/installsfcfsha<version> -securityonnode
```

Where *<version>* is the specific release version.

See [“About the Veritas installer”](#) on page 42.

The installer lists information about the cluster, nodes, and service groups. If VCS is not configured or if VCS is not running on all nodes of the cluster, the installer prompts whether you want to continue configuring security. It then prompts you for the node that you want to configure.

```
VCS is not running on all systems in this cluster. All VCS systems  
must be in RUNNING state. Do you want to continue? [y,n,q] (n) y
```

```
1) Perform security configuration on first node and export  
security configuration files.
```

```
2) Perform security configuration on remaining nodes with  
security configuration files.
```

```
Select the option you would like to perform [1-2,q,?] 1
```

---

**Warning:** All VCS configurations about cluster users are deleted when you configure the first node. You can use the `/opt/VRTSvcs/bin/hauser` command to create cluster users manually.

---

- 3 The installer completes the secure configuration on the node. It specifies the location of the security configuration files and prompts you to copy these files to the other nodes in the cluster. The installer also specifies the location of log files, summary file, and response file.
- 4 Copy the security configuration files from the location specified by the installer to temporary directories on the other nodes in the cluster.

## Configuring the remaining nodes

On each of the remaining nodes in the cluster, perform the following steps.

**To configure security on each remaining node**

- 1 Ensure that you are logged in as superuser.
- 2 Enter the following command:

```
# /opt/VRTS/install/installsfcfsha<version> -securityonnode
```

Where *<version>* is the specific release version.

See [“About the Veritas installer”](#) on page 42.

The installer lists information about the cluster, nodes, and service groups. If VCS is not configured or if VCS is not running on all nodes of the cluster, the installer prompts whether you want to continue configuring security. It then prompts you for the node that you want to configure. Enter **2**.

```
VCS is not running on all systems in this cluster. All VCS systems  
must be in RUNNING state. Do you want to continue? [y,n,q] (n) y
```

```
1) Perform security configuration on first node and export  
security configuration files.
```

```
2) Perform security configuration on remaining nodes with  
security configuration files.
```

```
Select the option you would like to perform [1-2,q.?] 2
```

The installer completes the secure configuration on the node. It specifies the location of log files, summary file, and response file.

## Completing the secure cluster configuration

Perform the following manual steps to complete the configuration.



**To complete the secure cluster configuration**

- 1 On the first node, freeze all service groups except the ClusterService service group.

```
# /opt/VRTSvcs/bin/haconf -makerw
# /opt/VRTSvcs/bin/hagrp -list Frozen=0
# /opt/VRTSvcs/bin/hagrp -freeze groupname -persistent
# /opt/VRTSvcs/bin/haconf -dump -makero
```

- 2 On the first node, stop the VCS engine.

```
# /opt/VRTSvcs/bin/hastop -all -force
```

- 3 On all nodes, stop the CmdServer.

```
# /opt/VRTSvcs/bin/CmdServer -stop
```

- 4 On the first node, edit the `/etc/VRTSvcs/conf/config/main.cf` file to resemble the following:

```
cluster clus1 (
SecureClus = 1
)
```

- 5 On all nodes, create the `/etc/VRTSvcs/conf/config/.secure` file.

```
# touch /etc/VRTSvcs/conf/config/.secure
```

- 6 On the first node, start VCS. Then start VCS on the remaining nodes.

```
# /opt/VRTSvcs/bin/hastart
```

- 7 On all nodes, start CmdServer.

```
# /opt/VRTSvcs/bin/CmdServer
```

- 8 On the first node, unfreeze the service groups.

```
# /opt/VRTSvcs/bin/haconf -makerw
```

```
# /opt/VRTSvcs/bin/hagrp -list Frozen=1
```

```
# /opt/VRTSvcs/bin/hagrp -unfreeze groupname -persistent
```

```
# /opt/VRTSvcs/bin/haconf -dump -makero
```

## Adding VCS users

If you have enabled a secure VCS cluster, you do not need to add VCS users now. Otherwise, on systems operating under an English locale, you can add VCS users at this time.

### To add VCS users

- 1 Review the required information to add VCS users.
- 2 Reset the password for the Admin user, if necessary.

```
Do you wish to accept the default cluster credentials of  
'admin/password'? [y,n,q] (y) n  
Enter the user name: [b,q,?] (admin)  
Enter the password:  
Enter again:
```

- 3 To add a user, enter **y** at the prompt.

```
Do you want to add another user to the cluster? [y,n,q] (y)
```

- 4 Enter the user's name, password, and level of privileges.

```
Enter the user name: [b,q,?] smith  
Enter New Password:*****
```

```
Enter Again:*****
```

```
Enter the privilege for user smith (A=Administrator, O=Operator,  
G=Guest): [b,q,?] a
```

- 5 Enter **n** at the prompt if you have finished adding users.

```
Would you like to add another user? [y,n,q] (n)
```

- 6 Review the summary of the newly added users and confirm the information.

## Configuring SMTP email notification

You can choose to configure VCS to send event notifications to SMTP email services. You need to provide the SMTP server name and email addresses of people to be notified. Note that you can also configure the notification after installation.

Refer to the *Veritas Cluster Server Administrator's Guide* for more information.

### To configure SMTP email notification

- 1 Review the required information to configure the SMTP email notification.
- 2 Specify whether you want to configure the SMTP notification.

```
Do you want to configure SMTP notification? [y,n,q,?] (n) y
```

If you do not want to configure the SMTP notification, you can skip to the next configuration option.

See [“Configuring SNMP trap notification”](#) on page 108.

- 3 Provide information to configure SMTP notification.

Provide the following information:

- Enter the NIC information.

```
Active NIC devices discovered on sys1: eth0
Enter the NIC for the VCS Notifier to use on sys1:
[b,q,?] (eth0)
Is eth0 to be the public NIC used by all systems?
[y,n,q,b,?] (y)
```

- Enter the SMTP server's host name.

```
Enter the domain-based hostname of the SMTP server
(example: smtp.yourcompany.com): [b,q,?] smtp.example.com
```

- Enter the email address of each recipient.

```
Enter the full email address of the SMTP recipient
(example: user@yourcompany.com): [b,q,?] ozzie@example.com
```

- Enter the minimum security level of messages to be sent to each recipient.

```
Enter the minimum severity of events for which mail should be
sent to ozzie@example.com [I=Information, W=Warning,
E=Error, S=SevereError]: [b,q,?] w
```

#### 4 Add more SMTP recipients, if necessary.

- If you want to add another SMTP recipient, enter `y` and provide the required information at the prompt.

```
Would you like to add another SMTP recipient? [y,n,q,b] (n) y
```

```
Enter the full email address of the SMTP recipient
(example: user@yourcompany.com): [b,q,?] harriet@example.com
```

```
Enter the minimum severity of events for which mail should be
sent to harriet@example.com [I=Information, W=Warning,
E=Error, S=SevereError]: [b,q,?] E
```

- If you do not want to add, answer `n`.

```
Would you like to add another SMTP recipient? [y,n,q,b] (n)
```

#### 5 Verify and confirm the SMTP notification information.

```
NIC: eth0
```

```
SMTP Address: smtp.example.com
```

```
Recipient: ozzie@example.com receives email for Warning or
higher events
```

```
Recipient: harriet@example.com receives email for Error or
higher events
```

```
Is this information correct? [y,n,q] (y)
```

## Configuring SNMP trap notification

You can choose to configure VCS to send event notifications to SNMP management consoles. You need to provide the SNMP management console name to be notified and message severity levels.

Note that you can also configure the notification after installation.

Refer to the *Veritas Cluster Server Administrator's Guide* for more information.

### To configure the SNMP trap notification

- 1 Review the required information to configure the SNMP notification feature of VCS.

- 2 Specify whether you want to configure the SNMP notification.

```
Do you want to configure SNMP notification? [y,n,q,?] (n) y
```

If you skip this option and if you had installed a valid HA/DR license, the installer presents you with an option to configure this cluster as global cluster. If you did not install an HA/DR license, the installer proceeds to configure SFCFSHA based on the configuration details you provided.

See [“Configuring global clusters”](#) on page 110.

- 3 Provide information to configure SNMP trap notification.

Provide the following information:

- Enter the NIC information.

```
Active NIC devices discovered on sys1: eth0
Enter the NIC for the VCS Notifier to use on sys1:
[b,q,?] (eth0)
Is eth0 to be the public NIC used by all systems?
[y,n,q,b,?] (y)
```

- Enter the SNMP trap daemon port.

```
Enter the SNMP trap daemon port: [b,q,?] (162)
```

- Enter the SNMP console system name.

```
Enter the SNMP console system name: [b,q,?] sys5
```

- Enter the minimum security level of messages to be sent to each console.

```
Enter the minimum severity of events for which SNMP traps
should be sent to sys5 [I=Information, W=Warning, E=Error,
S=SevereError]: [b,q,?] E
```

- 4 Add more SNMP consoles, if necessary.

- If you want to add another SNMP console, enter **y** and provide the required information at the prompt.

```
Would you like to add another SNMP console? [y,n,q,b] (n) y
Enter the SNMP console system name: [b,q,?] sys4
```

```
Enter the minimum severity of events for which SNMP traps
should be sent to sys4 [I=Information, W=Warning,
E=Error, S=SevereError]: [b,q,?] S
```

- If you do not want to add, answer n.

```
Would you like to add another SNMP console? [y,n,q,b] (n)
```

## 5 Verify and confirm the SNMP notification information.

```
NIC: eth0
```

```
SNMP Port: 162
```

```
Console: sys5 receives SNMP traps for Error or
higher events
```

```
Console: sys4 receives SNMP traps for SevereError or
higher events
```

```
Is this information correct? [y,n,q] (y)
```

# Configuring global clusters

If you had installed a valid HA/DR license, the installer provides you an option to configure this cluster as global cluster.

You can configure global clusters to link clusters at separate locations and enable wide-area failover and disaster recovery. The installer adds basic global cluster information to the VCS configuration file. You must perform additional configuration tasks to set up a global cluster.

See the *Veritas Storage Foundation Cluster File System High Availability Installation Guide* for instructions to set up Storage Foundation Cluster File System High Availability global clusters.

---

**Note:** If you installed a HA/DR license to set up replicated data cluster or campus cluster, skip this installer option.

---

### To configure the global cluster option

- 1 Review the required information to configure the global cluster option.
- 2 Specify whether you want to configure the global cluster option.

```
Do you want to configure the Global Cluster Option? [y,n,q] (n) y
```

If you skip this option, the installer proceeds to configure VCS based on the configuration details you provided.

- 3 Provide information to configure this cluster as global cluster.

The installer prompts you for a NIC, a virtual IP address, and value for the netmask.

If you had entered virtual IP address details, the installer discovers the values you entered. You can use the same virtual IP address for global cluster configuration or enter different values.

You can also enter an IPv6 address as a virtual IP address.

- 4 Verify and confirm the configuration of the global cluster. For example:

```
For IPv4:      Global Cluster Option configuration verification:

                NIC: eth0
                IP: 10.198.89.22
                Netmask: 255.255.240.0

                Is this information correct? [y,n,q] (y)
```

```
For IPv6      Global Cluster Option configuration verification:

                NIC: eth0
                IP: 2001:454e:205a:110:203:baff:feee:10
                Prefix: 64

                Is this information correct? [y,n,q] (y)
```

## Completing the SFCFSHA configuration

After you enter the SFCFSHA configuration information, the installer prompts to stop the SFCFSHA processes to complete the configuration process. The installer continues to create configuration files and copies them to each system. The installer also configures a cluster UUID value for the cluster at the end of the configuration.

After the installer successfully configures SFCFSHA, it restarts SFCFSHA and its related processes.

**To complete the SFCFSHA configuration**

- 1 If prompted, press Enter at the following prompt.

```
Do you want to stop SFCFSHA processes now? [y,n,q,?] (y)
```

- 2 Review the output as the installer stops various processes and performs the configuration. The installer then restarts SFCFSHA and its related processes.
- 3 Enter y at the prompt to send the installation information to Symantec.

```
Would you like to send the information about this installation
to Symantec to help improve installation in the future?
[y,n,q,?] (y) y
```

- 4 After the installer configures Storage Foundation Cluster File System High Availability successfully, note the location of summary, log, and response files that installer creates.

The files provide the useful information that can assist you with the configuration and can also assist future configurations.

summary file	Describes the cluster and its configured resources.
log file	Details the entire configuration.
response file	Contains the configuration information that can be used to perform secure or unattended installations on other systems.
	See <a href="#">“Configuring SFCFSHA using response files”</a> on page 165.

## Verifying the NIC configuration

The installer verifies on all the nodes if all NICs have PERSISTENT\_NAME set correctly.

If the persistent interface names are not configured correctly for the network devices, the installer displays the following messages:

```
PERSISTENT_NAME is not set for all the NICs.
You need to set them manually before the next reboot.
```

Set the PERSISTENT\_NAME for all the NICs.



---

**Warning:** If the installer finds the network interface name to be different from the name in the configuration file, then the installer exits.

---

## Verifying and updating licenses on the system

After you install Storage Foundation Cluster File System High Availability, you can verify the licensing information using the `vxlicrep` program. You can replace the demo licenses with a permanent license.

See [“Checking licensing information on the system”](#) on page 113.

See [“Updating product licenses”](#) on page 113.

### Checking licensing information on the system

You can use the `vxlicrep` program to display information about the licenses on a system.

#### To check licensing information

- 1 Navigate to the folder containing the `vxlicrep` program and enter:

```
# vxlicrep
```

- 2 Review the output to determine the following information:
  - The license key
  - The type of license
  - The product for which it applies
  - Its expiration date, if any. Demo keys have expiration dates. Permanent keys and site keys do not have expiration dates.

### Updating product licenses

You can use the `./installer -license` command or the `vxlicinst -k` to add the Storage Foundation Cluster File System High Availability license key on each node. If you have Storage Foundation Cluster File System High Availability already installed and configured and you use a demo license, you can replace the demo license.

See [“Replacing a Storage Foundation Cluster File System High Availability demo license with a permanent license”](#) on page 114.

**To update product licenses using the installer command**

- 1 On each node, enter the license key using the command:

```
# ./installer -license
```

- 2 At the prompt, enter your license number.

**To update product licenses using the vxlicinst command**

- ◆ On each node, enter the license key using the command:

```
# vxlicinst -k license key
```

## Replacing a Storage Foundation Cluster File System High Availability demo license with a permanent license

When a Storage Foundation Cluster File System High Availability demo key license expires, you can replace it with a permanent license using the `vxlicinst(1)` program.

**To replace a demo key**

- 1 Make sure you have permissions to log in as root on each of the nodes in the cluster.
- 2 Shut down Storage Foundation Cluster File System High Availability on all nodes in the cluster:

```
# hstop -all -force
```

This command does not shut down any running applications.

- 3 Enter the permanent license key using the following command on each node:

```
# vxlicinst -k license key
```

- 4 Make sure demo licenses are replaced on all cluster nodes before starting Storage Foundation Cluster File System High Availability.

```
# vxlicrep
```

- 5 Start Storage Foundation Cluster File System High Availability on each node:

```
# hstart
```

## Configuring the Storage Foundation for Databases repository database after installation

If you want to use Storage Foundation for Databases (SFDB), you must set up the SFDB repository after installing and configuring SFCFSHA and Oracle. For SFDB repository set up procedures:

See *Veritas Storage Foundation: Storage and Availability Management for Oracle Databases*

# Configuring SFCFSHA clusters for data integrity

This chapter includes the following topics:

- [Setting up disk-based I/O fencing using `installsfcfsa`](#)
- [Setting up server-based I/O fencing using `installsfcfsa`](#)
- [Setting up non-SCSI-3 server-based I/O fencing in virtual environments using `installsfcfsa`](#)
- [Enabling or disabling the preferred fencing policy](#)

## Setting up disk-based I/O fencing using `installsfcfsa`

You can configure I/O fencing using the `-fencing` option of the `installsfcfsa`.

### Configuring disk-based I/O fencing using `installsfcfsa`

---

**Note:** The installer stops and starts Storage Foundation Cluster File System High Availability to complete I/O fencing configuration. Make sure to unfreeze any frozen VCS service groups in the cluster for the installer to successfully stop Storage Foundation Cluster File System High Availability.

---

## To set up disk-based I/O fencing using the `installsfcfsha`

- 1 Start the `installsfcfsha` with `-fencing` option.

```
# /opt/VRTS/install/installsfcfsha<version> -fencing
```

Where `<version>` is the specific release version.

See [“About the Veritas installer”](#) on page 42.

The `installsfcfsha` starts with a copyright message and verifies the cluster information.

Note the location of log files which you can access in the event of any problem with the configuration process.

- 2 Confirm that you want to proceed with the I/O fencing configuration at the prompt.

The program checks that the local node running the script can communicate with remote nodes and checks whether Storage Foundation Cluster File System High Availability 6.0.1 is configured properly.

- 3 Review the I/O fencing configuration options that the program presents. Type `2` to configure disk-based I/O fencing.

```
Select the fencing mechanism to be configured in this  
Application Cluster [1-4,b,q] 2
```

- 4 Review the output as the configuration program checks whether VxVM is already started and is running.
  - If the check fails, configure and enable VxVM before you repeat this procedure.
  - If the check passes, then the program prompts you for the coordinator disk group information.
- 5 Choose whether to use an existing disk group or create a new disk group to configure as the coordinator disk group.

The program lists the available disk group names and provides an option to create a new disk group. Perform one of the following:

- To use an existing disk group, enter the number corresponding to the disk group at the prompt.

The program verifies whether the disk group you chose has an odd number of disks and that the disk group has a minimum of three disks.
- To create a new disk group, perform the following steps:
  - Enter the number corresponding to the **Create a new disk group** option.

The program lists the available disks that are in the CDS disk format in the cluster and asks you to choose an odd number of disks with at least three disks to be used as coordinator disks.

Symantec recommends that you use three disks as coordination points for disk-based I/O fencing.

If the available VxVM CDS disks are less than the required, installer asks whether you want to initialize more disks as VxVM disks. Choose the disks you want to initialize as VxVM disks and then use them to create new disk group.

- Enter the numbers corresponding to the disks that you want to use as coordinator disks.
  - Enter the disk group name.
- 6 Verify that the coordinator disks you chose meet the I/O fencing requirements. You must verify that the disks are SCSI-3 PR compatible using the `vxfsentsthdw` utility and then return to this configuration program.
- See [“Checking shared disks for I/O fencing”](#) on page 120.
- 7 After you confirm the requirements, the program creates the coordinator disk group with the information you provided.
- 8 Enter the I/O fencing disk policy that you chose to use. For example:

```
Enter disk policy for the disk(s) (raw/dmp): [b,q,?] raw
```

The program also does the following:

- Populates the `/etc/vxfendg` file with this disk group information
  - Populates the `/etc/vxfenmode` file on each cluster node with the I/O fencing mode information and with the SCSI-3 disk policy information
- 9 Verify and confirm the I/O fencing configuration information that the installer summarizes.
- 10 Review the output as the configuration program does the following:
- Stops VCS and I/O fencing on each node.
  - Configures disk-based I/O fencing and starts the I/O fencing process.
  - Updates the VCS configuration file `main.cf` if necessary.
  - Copies the `/etc/vxfenmode` file to a date and time suffixed file `/etc/vxfenmode-date-time`. This backup file is useful if any future fencing configuration fails.
  - Updates the I/O fencing configuration file `/etc/vxfenmode`.

- Starts VCS on each node to make sure that the Storage Foundation Cluster File System High Availability is cleanly configured to use the I/O fencing feature.
- 11 Review the output as the configuration program displays the location of the log files, the summary files, and the response files.
  - 12 Configure the Coordination Point Agent.

```
Do you want to configure Coordination Point Agent on
the client cluster? [y,n,q] (y)
```

- 13 Enter a name for the service group for the Coordination Point Agent.

```
Enter a non-existing name for the service group for
Coordination Point Agent: [b] (vxfen) vxfen
```

- 14 Set the level two monitor frequency.

```
Do you want to set LevelTwoMonitorFreq? [y,n,q] (y)
```

- 15 Decide the value of the level two monitor frequency.

```
Enter the value of the LevelTwoMonitorFreq attribute: [b,q,?] (5)
```

Installer adds Coordination Point Agent and updates the main configuration file.

See [“Configuring CoordPoint agent to monitor coordination points”](#) on page 220.

## Initializing disks as VxVM disks

Perform the following procedure to initialize disks as VxVM disks.

### To initialize disks as VxVM disks

- 1 List the new external disks or the LUNs as recognized by the operating system. On each node, enter:

```
# fdisk -l
```

- 2 To initialize the disks as VxVM disks, use one of the following methods:

- Use the interactive `vxdiskadm` utility to initialize the disks as VxVM disks. For more information see the *Veritas Storage Foundation Administrator's Guide*.
- Use the `vxdisksetup` command to initialize a disk as a VxVM disk.

```
# vxdisksetup -i device_name
```

The example specifies the CDS format:

```
# vxdisksetup -i sdr
```

Repeat this command for each disk you intend to use as a coordinator disk.

## Checking shared disks for I/O fencing

Make sure that the shared storage you set up while preparing to configure SFCFSHA meets the I/O fencing requirements. You can test the shared disks using the `vxftsthdw` utility. The two nodes must have `ssh` (default) or `rsh` communication. To confirm whether a disk (or LUN) supports SCSI-3 persistent reservations, two nodes must simultaneously have access to the same disks. Because a shared disk is likely to have a different name on each node, check the serial number to verify the identity of the disk. Use the `vxfenadm` command with the `-i` option. This command option verifies that the same serial number for the LUN is returned on all paths to the LUN.

Make sure to test the disks that serve as coordinator disks.

The `vxftsthdw` utility has additional options suitable for testing many disks. Review the options for testing the disk groups (`-g`) and the disks that are listed in a file (`-f`). You can also test disks without destroying data using the `-r` option.

See the *Veritas Storage Foundation Cluster File System High Availability Administrator's Guide*.

Checking that disks support SCSI-3 involves the following tasks:

- Verifying the Array Support Library (ASL)  
See [“Verifying Array Support Library \(ASL\)”](#) on page 120.
- Verifying that nodes have access to the same disk  
See [“Verifying that the nodes have access to the same disk”](#) on page 121.
- Testing the shared disks for SCSI-3  
See [“Testing the disks using vxftsthdw utility”](#) on page 122.

### Verifying Array Support Library (ASL)

Make sure that the Array Support Library (ASL) for the array that you add is installed.



**To verify Array Support Library (ASL)**

- 1 If the Array Support Library (ASL) for the array that you add is not installed, obtain and install it on each node before proceeding.

The ASL for the supported storage device that you add is available from the disk array vendor or Symantec technical support.

- 2 Verify that the ASL for the disk array is installed on each of the nodes. Run the following command on each node and examine the output to verify the installation of ASL.

The following output is a sample:

```
# vxddladm listsupport all
```

LIBNAME	VID	PID
libvxhitachi.so	HITACHI	DF350, DF400, DF400F, DF500, DF500F
libvxxp1281024.so	HP	All
libvxxp12k.so	HP	All
libvxdds2a.so	DDN	S2A 9550, S2A 9900, S2A 9700
libvxpurple.so	SUN	T300
libvxxiotechE5k.so	XIOTECH	ISE1400
libvxcopan.so	COPANSYS	8814, 8818
libvxibmids8k.so	IBM	2107

- 3 Scan all disk drives and their attributes, update the VxVM device list, and reconfigure DMP with the new devices. Type:

```
# vxdisk scandisks
```

See the Veritas Volume Manager documentation for details on how to add and configure disks.

**Verifying that the nodes have access to the same disk**

Before you test the disks that you plan to use as shared data storage or as coordinator disks using the vxfcntl utility, you must verify that the systems see the same disk.

### To verify that the nodes have access to the same disk

- 1 Verify the connection of the shared storage for data to two of the nodes on which you installed SFCFSHA.
- 2 Ensure that both nodes are connected to the same disk during the testing. Use the `vxfenadm` command to verify the disk serial number.

```
# vxfenadm -i diskpath
```

Refer to the `vxfenadm` (1M) manual page.

For example, an EMC disk is accessible by the `/dev/sdx` path on node A and the `/dev/sdy` path on node B.

From node A, enter:

```
# vxfenadm -i /dev/sdx
```

```
SCSI ID=>Host: 2 Channel: 0 Id: 0 Lun: E
```

```
Vendor id : EMC  
Product id : SYMMETRIX  
Revision : 5567  
Serial Number : 42031000a
```

The same serial number information should appear when you enter the equivalent command on node B using the `/dev/sdy` path.

On a disk from another manufacturer, Hitachi Data Systems, the output is different and may resemble:

```
# vxfenadm -i /dev/sdz
```

```
SCSI ID=>Host: 2 Channel: 0 Id: 0 Lun: E
```

```
Vendor id      : HITACHI  
Product id    : OPEN-3  
Revision      : 0117  
Serial Number : 0401EB6F0002
```

### Testing the disks using `vxfcntlsth` utility

This procedure uses the `/dev/sdx` disk in the steps.

If the utility does not show a message that states a disk is ready, the verification has failed. Failure of verification can be the result of an improperly configured disk array. The failure can also be due to a bad disk.

If the failure is due to a bad disk, remove and replace it. The `vxfcntlsthdw` utility indicates a disk can be used for I/O fencing with a message resembling:

```
The disk /dev/sdx is ready to be configured for I/O Fencing on
node sys1
```

For more information on how to replace coordinator disks, refer to the *Veritas Storage Foundation Cluster File System High Availability Administrator's Guide*.

### To test the disks using `vxfcntlsthdw` utility

1 Make sure system-to-system communication functions properly.

2 From one node, start the utility.

Run the utility with the `-n` option if you use `rsh` for communication.

```
# vxfcntlsthdw [-n]
```

3 The script warns that the tests overwrite data on the disks. After you review the overview and the warning, confirm to continue the process and enter the node names.

---

**Warning:** The tests overwrite and destroy data on the disks unless you use the `-r` option.

---

```
***** WARNING!!!!!!!!!! *****
```

```
THIS UTILITY WILL DESTROY THE DATA ON THE DISK!!
```

```
Do you still want to continue : [y/n] (default: n) y
```

```
Enter the first node of the cluster: sys1
```

```
Enter the second node of the cluster: sys2
```

- 4 Enter the names of the disks that you want to check. Each node may know the same disk by a different name:

```
Enter the disk name to be checked for SCSI-3 PGR on node
sys1 in the format:
```

```
for dmp: /dev/vx/rdmp/sdx
```

```
for raw: /dev/sdx
```

```
Make sure it's the same disk as seen by nodes sys1 and sys2
```

```
/dev/sdr
```

```
Enter the disk name to be checked for SCSI-3 PGR on node
sys2 in the format:
```

```
for dmp: /dev/vx/rdmp/sdx
```

```
for raw: /dev/sdx
```

```
Make sure it's the same disk as seen by nodes sys1 and sys2
```

```
/dev/sdr
```

If the serial numbers of the disks are not identical, then the test terminates.

- 5 Review the output as the utility performs the checks and reports its activities.
- 6 If a disk is ready for I/O fencing on each node, the utility reports success for each node. For example, the utility displays the following message for the node `sys1`.

```
The disk is now ready to be configured for I/O Fencing on node
sys1
```

```
ALL tests on the disk /dev/sdx have PASSED
```

```
The disk is now ready to be configured for I/O Fencing on node
sys1
```

- 7 Run the `vxfcntlshdw` utility for each disk you intend to verify.

## Setting up server-based I/O fencing using `installsfcfsha`

You can configure server-based I/O fencing for the Storage Foundation Cluster File System High Availability cluster using the `installsfcfsha`.

With server-based fencing, you can have the coordination points in your configuration as follows:

- Combination of CP servers and SCSI-3 compliant coordinator disks
- CP servers only

Symantec also supports server-based fencing with a single highly available CP server that acts as a single coordination point.

See [“About planning to configure I/O fencing”](#) on page 67.

See [“Recommended CP server configurations”](#) on page 72.

This section covers the following example procedures:

Mix of CP servers and coordinator disks	See <a href="#">“To configure server-based fencing for the Storage Foundation Cluster File System High Availability cluster (one CP server and two coordinator disks)”</a> on page 125.
Single CP server	See <a href="#">“To configure server-based fencing for the Storage Foundation Cluster File System High Availability cluster (single CP server)”</a> on page 130.

### To configure server-based fencing for the Storage Foundation Cluster File System High Availability cluster (one CP server and two coordinator disks)

- 1 Depending on the server-based configuration model in your setup, make sure of the following:
  - CP servers are configured and are reachable from the Storage Foundation Cluster File System High Availability cluster. The Storage Foundation Cluster File System High Availability cluster is also referred to as the application cluster or the client cluster.  
See [“Setting up the CP server”](#) on page 75.
  - The coordination disks are verified for SCSI3-PR compliance.  
See [“Checking shared disks for I/O fencing”](#) on page 120.

- 2 Start the `installsfcfsha` with the `-fencing` option.

```
# /opt/VRTS/install/installsfcfsha<version> -fencing
```

Where `<version>` is the specific release version. The `installsfcfsha` starts with a copyright message and verifies the cluster information.

See [“About the Veritas installer”](#) on page 42.

Note the location of log files which you can access in the event of any problem with the configuration process.

- 3 Confirm that you want to proceed with the I/O fencing configuration at the prompt.

The program checks that the local node running the script can communicate with remote nodes and checks whether Storage Foundation Cluster File System High Availability 6.0.1 is configured properly.

- 4 Review the I/O fencing configuration options that the program presents. Type **1** to configure server-based I/O fencing.

```
Select the fencing mechanism to be configured in this
Application Cluster [1-4,b,q] 1
```

- 5 Make sure that the storage supports SCSI3-PR, and answer **y** at the following prompt.

```
Does your storage environment support SCSI3 PR? [y,n,q] (y)
```

- 6 Provide the following details about the coordination points at the installer prompt:

- Enter the total number of coordination points including both servers and disks. This number should be at least 3.

```
Enter the total number of co-ordination points including both
Coordination Point servers and disks: [b] (3)
```

- Enter the total number of coordinator disks among the coordination points.

```
Enter the total number of disks among these:
[b] (0) 2
```

- 7 Provide the following CP server details at the installer prompt:

- Enter the total number of virtual IP addresses or the total number of fully qualified host names for each of the CP servers.

```
Enter the total number of Virtual IP addresses or fully
qualified host name for the
Coordination Point Server #1: [b,q,?] (1) 2
```

- Enter the virtual IP addresses or the fully qualified host name for each of the CP servers. The installer assumes these values to be identical as viewed from all the application cluster nodes.

```
Enter the Virtual IP address or fully qualified host name
#1 for the Coordination Point Server #1:
[b] 10.209.80.197
```

The installer prompts for this information for the number of virtual IP addresses you want to configure for each CP server.

- Enter the port that the CP server would be listening on.

```
Enter the port in the range [49152, 65535] which the
Coordination Point Server 10.209.80.197
would be listening on or simply accept the default port suggested:
[b] (14250)
```

**8 Provide the following coordinator disks-related details at the installer prompt:**

- Enter the I/O fencing disk policy for the coordinator disks.

```
Enter disk policy for the disk(s) (raw/dmp):
[b,q,?] raw
```

- Choose the coordinator disks from the list of available disks that the installer displays. Ensure that the disk you choose is available from all the Storage Foundation Cluster File System High Availability (application cluster) nodes. The number of times that the installer asks you to choose the disks depends on the information that you provided in step 6. For example, if you had chosen to configure two coordinator disks, the installer asks you to choose the first disk and then the second disk:

```
Select disk number 1 for co-ordination point
```

```
1) sdx
2) sdy
3) sdz
```

```
Please enter a valid disk which is available from all the
cluster nodes for co-ordination point [1-3,q] 1
```

- If you have not already checked the disks for SCSI-3 PR compliance in step 1, check the disks now. The installer displays a message that recommends you to verify the disks in another window and then return to this configuration procedure. Press Enter to continue, and confirm your disk selection at the installer prompt.
- Enter a disk group name for the coordinator disks or accept the default.

```
Enter the disk group name for coordinating disk(s):
[b] (vx fenceoorddg)
```

**9** Verify and confirm the coordination points information for the fencing configuration.

For example:

```
Total number of coordination points being used: 3
Coordination Point Server ([VIP or FQHN]:Port):
  1. 10.109.80.197 ([10.109.80.197]:14250)
SCSI-3 disks:
  1. sdx
  2. sdy
Disk Group name for the disks in customized fencing: vxfencoorddg
Disk policy used for customized fencing: raw
```

The installer initializes the disks and the disk group and depots the disk group on the Storage Foundation Cluster File System High Availability (application cluster) node.

**10** If the CP server is configured for security, the installer sets up secure communication between the CP server and the Storage Foundation Cluster File System High Availability (application cluster).

After the installer establishes trust between the authentication brokers of the CP servers and the application cluster nodes, press Enter to continue.

**11** Verify and confirm the I/O fencing configuration information.

```
CPS Admin utility location: /opt/VRTScps/bin/cpsadm
Cluster ID: 2122
Cluster Name: clus1
UUID for the above cluster: {ae5e589a-1dd1-11b2-dd44-00144f79240c}
```



- 12** Review the output as the installer updates the application cluster information on each of the CP servers to ensure connectivity between them. The installer then populates the `/etc/vxfenmode` file with the appropriate details in each of the application cluster nodes.

```
Updating client cluster information on Coordination Point Server 10.210.80.197

Adding the client cluster to the Coordination Point Server 10.210.80.197 ..... Done

Registering client node sys1 with Coordination Point Server 10.210.80.197..... Done
Adding CPClient user for communicating to Coordination Point Server 10.210.80.197 .... Done
Adding cluster clus1 to the CPClient user on Coordination Point Server 10.210.80.197 .. Done

Registering client node sys2 with Coordination Point Server 10.210.80.197 ..... Done
Adding CPClient user for communicating to Coordination Point Server 10.210.80.197 .... Done
Adding cluster clus1 to the CPClient user on Coordination Point Server 10.210.80.197 ..Done

Updating /etc/vxfenmode file on sys1 ..... Done
Updating /etc/vxfenmode file on sys2 ..... Done
```

See [“About I/O fencing configuration files”](#) on page 386.

- 13** Review the output as the installer stops and restarts the VCS and the fencing processes on each application cluster node, and completes the I/O fencing configuration.
- 14** Configure the CP agent on the Storage Foundation Cluster File System High Availability (application cluster). The Coordination Point Agent monitors the registrations on the coordination points.

```
Do you want to configure Coordination Point Agent on
the client cluster? [y,n,q] (y)
```

```
Enter a non-existing name for the service group for
Coordination Point Agent: [b] (vxfen)
```

- 15 Additionally the coordination point agent can also monitor changes to the Coordinator Disk Group constitution such as a disk being accidentally deleted from the Coordinator Disk Group. The frequency of this detailed monitoring can be tuned with the `LevelTwoMonitorFreq` attribute. For example, if you set this attribute to 5, the agent will monitor the Coordinator Disk Group constitution every five monitor cycles.

Note that for the `LevelTwoMonitorFreq` attribute to be applicable there must be disks as part of the Coordinator Disk Group.

```
Enter the value of the LevelTwoMonitorFreq attribute: (5)
```

```
Adding Coordination Point Agent via sys1 .... Done
```

- 16 Note the location of the configuration log files, summary files, and response files that the installer displays for later use.

**To configure server-based fencing for the Storage Foundation Cluster File System High Availability cluster (single CP server)**

- 1 Make sure that the CP server is configured and is reachable from the Storage Foundation Cluster File System High Availability cluster. The Storage Foundation Cluster File System High Availability cluster is also referred to as the application cluster or the client cluster.
- 2 See [“Setting up the CP server”](#) on page 75.
- 3 Start the `installsfcfsha` with `-fencing` option.

```
# /opt/VRTS/install/installsfcfsha<version> -fencing
```

Where `<version>` is the specific release version. The `installsfcfsha` starts with a copyright message and verifies the cluster information.

See [“About the Veritas installer”](#) on page 42.

Note the location of log files which you can access in the event of any problem with the configuration process.

- 4 Confirm that you want to proceed with the I/O fencing configuration at the prompt.

The program checks that the local node running the script can communicate with remote nodes and checks whether Storage Foundation Cluster File System High Availability 6.0.1 is configured properly.

- 5 Review the I/O fencing configuration options that the program presents. Type **1** to configure server-based I/O fencing.

```
Select the fencing mechanism to be configured in this
Application Cluster [1-4,b,q] 1
```

- 6 Make sure that the storage supports SCSI3-PR, and answer **y** at the following prompt.

```
Does your storage environment support SCSI3 PR? [y,n,q] (y)
```

- 7 Enter the total number of coordination points as **1**.

```
Enter the total number of co-ordination points including both
Coordination Point servers and disks: [b] (3) 1
```

Read the installer warning carefully before you proceed with the configuration.

- 8 Provide the following CP server details at the installer prompt:

- Enter the total number of virtual IP addresses or the total number of fully qualified host names for each of the CP servers.

```
Enter the total number of Virtual IP addresses or fully
qualified host name for the
Coordination Point Server #1: [b,q,?] (1) 2
```

- Enter the virtual IP address or the fully qualified host name for the CP server. The installer assumes these values to be identical as viewed from all the application cluster nodes.

```
Enter the Virtual IP address or fully qualified host name
#1 for the Coordination Point Server #1:
[b] 10.209.80.197
```

The installer prompts for this information for the number of virtual IP addresses you want to configure for each CP server.

- Enter the port that the CP server would be listening on.

```
Enter the port in the range [49152, 65535] which the
Coordination Point Server 10.209.80.197
would be listening on or simply accept the default
port suggested: [b] (14250)
```

- 9 Verify and confirm the coordination points information for the fencing configuration.

For example:

```
Total number of coordination points being used: 1
Coordination Point Server ([VIP or FQHN]:Port):
  1. 10.209.80.197 ([10.209.80.197]:14250)
```

- 10 If the CP server is configured for security, the installer sets up secure communication between the CP server and the Storage Foundation Cluster File System High Availability (application cluster).

After the installer establishes trust between the authentication brokers of the CP servers and the application cluster nodes, press Enter to continue.

- 11 Verify and confirm the I/O fencing configuration information.

```
CPS Admin utility location: /opt/VRTScps/bin/cpsadm
Cluster ID: 2122
Cluster Name: clus1
UUID for the above cluster: {ae5e589a-1dd1-11b2-dd44-00144f79240c}
```

- 12 Review the output as the installer updates the application cluster information on each of the CP servers to ensure connectivity between them. The installer then populates the `/etc/vxfenmode` file with the appropriate details in each of the application cluster nodes.

The installer also populates the `/etc/vxfenmode` file with the entry `single_cp=1` for such single CP server fencing configuration.

```
Updating client cluster information on Coordination Point Server 10.210.80.197

Adding the client cluster to the Coordination Point Server 10.210.80.197 ..... Done

Registering client node sys1 with Coordination Point Server 10.210.80.197..... Done
Adding CPClient user for communicating to Coordination Point Server 10.210.80.197 .... Done
Adding cluster clus1 to the CPClient user on Coordination Point Server 10.210.80.197 .. Done

Registering client node sys2 with Coordination Point Server 10.210.80.197 ..... Done
Adding CPClient user for communicating to Coordination Point Server 10.210.80.197 .... Done
Adding cluster clus1 to the CPClient user on Coordination Point Server 10.210.80.197 .. Done

Updating /etc/vxfenmode file on sys1 ..... Done
Updating /etc/vxfenmode file on sys2 ..... Done
```

See [“About I/O fencing configuration files”](#) on page 386.

- 13 Review the output as the installer stops and restarts the VCS and the fencing processes on each application cluster node, and completes the I/O fencing configuration.
- 14 Configure the CP agent on the Storage Foundation Cluster File System High Availability (application cluster).

```
Do you want to configure Coordination Point Agent on the
client cluster? [y,n,q] (y)
```

```
Enter a non-existing name for the service group for
Coordination Point Agent: [b] (vxfen)
```

```
Adding Coordination Point Agent via sys1 ... Done
```

- 15 Note the location of the configuration log files, summary files, and response files that the installer displays for later use.

# Setting up non-SCSI-3 server-based I/O fencing in virtual environments using installsfcfsha

If you have installed VCS in virtual environments that do not support SCSI-3 PR-compliant storage, you can configure non-SCSI-3 fencing.

To configure I/O fencing using the `installsfcfsha` in a non-SCSI-3 PR-compliant setup

- 1 Start the `installsfcfsha` with `-fencing` option.

```
# /opt/VRTS/install/installsfcfsha<version> -fencing
```

Where `<version>` is the specific release version.

See [“About the Veritas installer”](#) on page 42.

The `installsfcfsha` starts with a copyright message and verifies the cluster information.

- 2 Confirm that you want to proceed with the I/O fencing configuration at the prompt.

The program checks that the local node running the script can communicate with remote nodes and checks whether Storage Foundation Cluster File System High Availability 6.0.1 is configured properly.

- 3 Review the I/O fencing configuration options that the program presents. Type **1** to configure server-based I/O fencing.

```
Select the fencing mechanism to be configured in this
Application Cluster
[1-4,b,q] 1
```

- 4 Enter **n** to confirm that your storage environment does not support SCSI-3 PR.

```
Does your storage environment support SCSI3 PR?
[y,n,q] (y) n
```

- 5 Confirm that you want to proceed with the non-SCSI-3 I/O fencing configuration at the prompt.

- 6 Enter the number of CP server coordination points you want to use in your setup.

- 7 Enter the following details for each CP server:

- Enter the virtual IP address or the fully qualified host name.
- Enter the port address on which the CP server listens for connections.

The default value is 14250. You can enter a different port address. Valid values are between 49152 and 65535.

The installer assumes that these values are identical from the view of the SFCFSHA cluster nodes that host the applications for high availability.

- 8 Verify and confirm the CP server information that you provided.
- 9 Verify and confirm the SFCFSHA cluster configuration information.

Review the output as the installer performs the following tasks:

- Updates the CP server configuration files on each CP server with the following details:
  - Registers each node of the SFCFSHA cluster with the CP server.
  - Adds CP server user to the CP server.
  - Adds SFCFSHA cluster to the CP server user.
- Updates the following configuration files on each node of the SFCFSHA cluster
  - `/etc/vxfenmode` file
  - `/etc/vxenviron` file
  - `/etc/sysconfig/vxfen` file
  - `/etc/llttab` file
  - `/etc/vxfentab` file

- 10 Review the output as the installer stops Storage Foundation Cluster File System High Availability on each node, starts I/O fencing on each node, updates the VCS configuration file `main.cf`, and restarts Storage Foundation Cluster File System High Availability with non-SCSI-3 server-based fencing.

Confirm to configure the CP agent on the SFCFSHA cluster.

- 11 Confirm whether you want to send the installation information to Symantec.
- 12 After the installer configures I/O fencing successfully, note the location of summary, log, and response files that installer creates.

The files provide useful information which can assist you with the configuration, and can also assist future configurations.

## Enabling or disabling the preferred fencing policy

You can enable or disable the preferred fencing feature for your I/O fencing configuration.

You can enable preferred fencing to use system-based race policy or group-based race policy. If you disable preferred fencing, the I/O fencing configuration uses the default count-based race policy.

See [“About preferred fencing”](#) on page 28.

### To enable preferred fencing for the I/O fencing configuration

- 1 Make sure that the cluster is running with I/O fencing set up.

```
# vxfsadm -d
```

- 2 Make sure that the cluster-level attribute `UseFence` has the value set to **SCSI3**.

```
# haclus -value UseFence
```

- 3 To enable system-based race policy, perform the following steps:

- Make the Veritas Cluster Server (VCS) configuration writable.

```
# haconf -makerw
```

- Set the value of the cluster-level attribute `PreferredFencingPolicy` as **System**.

```
# haclus -modify PreferredFencingPolicy System
```

- Set the value of the system-level attribute `FencingWeight` for each node in the cluster.

For example, in a two-node cluster, where you want to assign `sys1` five times more weight compared to `sys2`, run the following commands:

```
# hasys -modify sys1 FencingWeight 50  
# hasys -modify sys2 FencingWeight 10
```

- Save the VCS configuration.

```
# haconf -dump -makero
```

- 4 To enable group-based race policy, perform the following steps:

- Make the VCS configuration writable.

```
# haconf -makerw
```

- Set the value of the cluster-level attribute `PreferredFencingPolicy` as **Group**.



```
# haclus -modify PreferredFencingPolicy Group
```

- Set the value of the group-level attribute `Priority` for each service group. For example, run the following command:

```
# hagrps -modify service_group Priority 1
```

Make sure that you assign a parent service group an equal or lower priority than its child service group. In case the parent and the child service groups are hosted in different subclusters, then the subcluster that hosts the child service group gets higher preference.

- Save the VCS configuration.

```
# haconf -dump -makero
```

- 5 To view the fencing node weights that are currently set in the fencing driver, run the following command:

```
# vxfenconfig -a
```

#### To disable preferred fencing for the I/O fencing configuration

- 1 Make sure that the cluster is running with I/O fencing set up.

```
# vxfenadm -d
```

- 2 Make sure that the cluster-level attribute `UseFence` has the value set to **SCSI3**.

```
# haclus -value UseFence
```

- 3 To disable preferred fencing and use the default race policy, set the value of the cluster-level attribute `PreferredFencingPolicy` as **Disabled**.

```
# haconf -makerw
```

```
# haclus -modify PreferredFencingPolicy Disabled
```

```
# haconf -dump -makero
```

# 4

## Section

# Installation using the Web-based installer

- [Chapter 10. Installing SFCFSHA](#)
- [Chapter 11. Configuring SFCFSHA](#)

# Installing SFCFSHA

This chapter includes the following topics:

- [About the Web-based installer](#)
- [Before using the Veritas Web-based installer](#)
- [Starting the Veritas Web-based installer](#)
- [Obtaining a security exception on Mozilla Firefox](#)
- [Performing a pre-installation check with the Veritas Web-based installer](#)
- [Installing SFCFSHA with the Web-based installer](#)

## About the Web-based installer

Use the Web-based installer interface to install Veritas products. The Web-based installer can perform most of the tasks that the script-based installer performs.

You use the `webinstaller` script to start and stop the Veritas XPortal Server `xprtlwid` process. The `webinstaller` script can also be used to check the status of the XPortal Server.

When the `webinstaller` script starts the `xprtlwid` process, the script displays a URL. Use this URL to access the Web-based installer from a Web browser such as Internet Explorer or FireFox.

The Web installer creates log files whenever the Web installer is operating. While the installation processes are operating, the log files are located in a session-based directory under the `/var/tmp` directory. After the install process completes, the log files are located in the `/opt/VRTS/install/logs` directory. It is recommended that you keep these files for auditing, debugging, and future use.

The location of the Veritas XPortal Server configuration file is `/var/opt/webinstaller/xprtlwid.conf`.

See [“Before using the Veritas Web-based installer”](#) on page 140.

See [“Starting the Veritas Web-based installer”](#) on page 140.

## Before using the Veritas Web-based installer

The Veritas Web-based installer requires the following configuration.

**Table 10-1** Web-based installer requirements

System	Function	Requirements
Target system	The systems where you plan to install the Veritas products.	Must be a supported platform for Veritas Storage Foundation Cluster File System High Availability 6.0.1.
Installation server	The server where you start the installation. The installation media is accessible from the installation server.	Must use the same operating system as the target systems and must be at one of the supported operating system update levels.
Administrative system	The system where you run the Web browser to perform the installation.	Must have a Web browser. Supported browsers: <ul style="list-style-type: none"><li>■ Internet Explorer 6, 7, and 8</li><li>■ Firefox 3.x and later</li></ul>

## Starting the Veritas Web-based installer

This section describes starting the Veritas Web-based installer.

**To start the Web-based installer**

- 1 Start the Veritas XPortal Server process `xprt1wid`, on the installation server:

```
# ./webinstaller start
```

The webinstaller script displays a URL. Note this URL.

---

**Note:** If you do not see the URL, run the command again.

The default listening port is 14172. If you have a firewall that blocks port 14172, use the `-port` option to use a free port instead.

---

- 2 On the administrative server, start the Web browser.
- 3 Navigate to the URL that the script displayed.
- 4 Certain browsers may display the following message:

```
Secure Connection Failed
```

Obtain a security exception for your browser.

When prompted, enter `root` and root's password of the installation server.

- 5 Log in as superuser.

## Obtaining a security exception on Mozilla Firefox

You may need to get a security exception on Mozilla Firefox.

The following instructions are general. They may change because of the rapid release cycle of Mozilla browsers.

**To obtain a security exception**

- 1 Click **Or you can add an exception** link.
- 2 Click **I Understand the Risks**, or **You can add an exception**.
- 3 Click **Get Certificate** button.
- 4 Uncheck **Permanently Store this exception checkbox (recommended)**.
- 5 Click **Confirm Security Exception** button.
- 6 Enter `root` in User Name field and root password of the web server in the Password field.

# Performing a pre-installation check with the Veritas Web-based installer

This section describes performing a pre-installation check with the Veritas Web-based installer.

## To perform a pre-installation check

- 1 Start the Web-based installer.  
See [“Starting the Veritas Web-based installer”](#) on page 140.
- 2 On the Select a task and a product page, select **Perform a Pre-installation Check** from the **Task** drop-down list. Select **Veritas Storage Foundation and High Availability** from the **Product** drop-down list and click **Next**.
- 3 Select the Veritas Storage Foundation Cluster File System High Availability from the **Product** drop-down list, and click **Next**.
- 4 Indicate the systems on which to perform the precheck. Enter one or more system names, separated by spaces. Click **Next**.
- 5 The installer performs the precheck and displays the results.
- 6 If the validation completes successfully, click **Next**. The installer prompts you to begin the installation. Click **Yes** to install on the selected system. Click **No** to install later.
- 7 Click **Finish**. The installer prompts you for another task.

# Installing SFCFSHA with the Web-based installer

This section describes installing SFCFSHA with the Veritas Web-based installer.

## To install SFCFSHA using the Web-based installer

- 1 Perform preliminary steps.  
See [“Performing a pre-installation check with the Veritas Web-based installer”](#) on page 142.
- 2 Start the Web-based installer.  
See [“Starting the Veritas Web-based installer”](#) on page 140.
- 3 Select **Install a Product** from the **Task** drop-down list.
- 4 Select **Veritas Storage Foundation Cluster File System HA** from the Product drop-down list, and click **Next**.
- 5 On the License agreement page, read the End User License Agreement (EULA). To continue, select **Yes, I agree** and click **Next**.

- 6 Choose minimal, recommended, or all RPMs. Click **Next**.
- 7 Indicate the systems where you want to install. Separate multiple system names with spaces. Click **Next**.
- 8 If you have not yet configured a communication mode among systems, you have the option to let the installer configure ssh or rsh. If you choose to allow this configuration, select the communication mode and provide the superuser passwords for the systems.
- 9 After the validation completes successfully, click **Next** to install SFCFSHA on the selected system.
- 10 After the installation completes, you must choose your licensing method.  
On the license page, select one of the following tabs:

- Keyless licensing

---

**Note:** The keyless license option enables you to install without entering a key. However, in order to ensure compliance you must manage the systems with a management server.

For more information, go to the following website:

<http://go.symantec.com/sfhakeyless>

---

Complete the following information:

- Choose whether you want to enable Veritas Replicator.
- Choose whether you want to enable Veritas File Replicator.
- Choose whether you want to enable Global Cluster option.

Click **Register**.

- Enter license key  
If you have a valid license key, select this tab. Enter the license key for each system. Click **Register**.

**11** The product installation completes.

Review the output. Reboot nodes as requested. The installer may prompt you to perform other tasks.

**12** If prompted, select the checkbox to specify whether you want to send your installation information to Symantec.

Would you like to send the information about this installation to Symantec to help improve installation in the future?

Click **Finish**. The installer asks if you would like to read the summary file. Select **Yes** to read the summary file. If you select **No**, the installer prompts you for another task.



# Configuring SFCFSHA

This chapter includes the following topics:

- [Configuring Storage Foundation Cluster File System High Availability using the Web-based installer](#)

## Configuring Storage Foundation Cluster File System High Availability using the Web-based installer

Before you begin to configure Storage Foundation Cluster File System High Availability using the Web-based installer, review the configuration requirements.

By default, the communication between the systems is selected as SSH. If SSH is used for communication between systems, the SSH commands execute without prompting for passwords or confirmations.

You can click **Quit** to quit the Web-installer at any time during the configuration process.

**To configure Storage Foundation Cluster File System High Availability on a cluster**

- 1 Start the Web-based installer.

See [“Starting the Veritas Web-based installer”](#) on page 140.

- 2 On the Select a task and a product page, select the task and the product as follows:

<b>Task</b>	Configure a Product
<b>Product</b>	Storage Foundation Cluster File System/HA

Click **Next**.

- 3 On the Select Systems page, enter the system names where you want to configure Storage Foundation Cluster File System High Availability, and click **Next**.

Example: **sys1 sys2**

The installer performs the initial system verification. It checks for the system communication. It also checks for release compatibility, installed product version, platform version, and performs product prechecks.

Click **Next** after the installer completes the system verification successfully.

- 4 In the Confirmation dialog box that appears, choose whether or not to configure I/O fencing.

To configure I/O fencing, click **Yes**.

To configure I/O fencing later, click **No**. You can configure I/O fencing later using the Web-based installer.

See [“Configuring Storage Foundation Cluster File System High Availability for data integrity using the Web-based installer”](#) on page 150.

You can also configure I/O fencing later using the `installsfsha<version> -fencing` command, the response files, or manually configure.

Where `<version>` is the specific release version.

See [“About the Veritas installer”](#) on page 42.

- 5 On the Set Cluster Name/ID page, specify the following information for the cluster.

<b>Cluster Name</b>	Enter a unique cluster name.
<b>Cluster ID</b>	Enter a unique cluster ID.  Note that you can have the installer check to see if the cluster ID is unique. Symantec recommends that you use the installer to check for duplicate cluster IDs in multi-cluster environments.
<b>Check duplicate cluster ID</b>	Select the check box if you want the installer to verify if the given cluster ID is unique in your private network. The verification is performed after you specify the heartbeat details in the following pages. The verification takes some time to complete.
<b>LLT Type</b>	Select an LLT type from the list. You can choose to configure LLT over UDP or over Ethernet.
<b>Number of Heartbeats</b>	Choose the number of heartbeat links you want to configure.
<b>Additional Low Priority Heartbeat NIC</b>	Select the check box if you want to configure a low priority link. The installer configures one heartbeat link as low priority link.
<b>Unique Heartbeat NICs per system</b>	For LLT over Ethernet, select the check box if you do not want to use the same NIC details to configure private heartbeat links on other systems.  For LLT over UDP, this check box is selected by default.

Click **Next**.

- 6 On the Set Cluster Heartbeat page, select the heartbeat link details for the LLT type you chose on the Set Cluster Name/ID page.

For **LLT over Ethernet**: Do the following:

- If you are using the same NICs on all the systems, select the NIC for each private heartbeat link.
- If you had selected **Unique Heartbeat NICs per system** on the Set Cluster Name/ID page, provide the NIC details for each system.

For **LLT over UDP**: Select the NIC, Port, and IP address for each private heartbeat link. You must provide these details for each system.

Click **Next**.

- 7 On the Optional Configuration page, decide the optional VCS features that you want to configure. Click the corresponding tab to specify the details for each option:

**Security**

To configure a secure SFCFSHA cluster, select the **Configure secure cluster** check box.

If you want to perform this task later, do not select the **Configure secure cluster** check box. You can use the `-security` option of the `installsfcsfsha`.

**Virtual IP**

- Select the **Configure Virtual IP** check box.
- If each system uses a separate NIC, select the **Configure NICs for every system separately** check box.
- Select the interface on which you want to configure the virtual IP.
- Enter a virtual IP address and value for the netmask. You can use an IPv4 or an IPv6 address.

**VCS Users**

- Reset the password for the Admin user, if necessary.
- Select the **Configure VCS users** option.
- Click **Add** to add a new user. Specify the user name, password, and user privileges for this user.

**SMTP**

- Select the **Configure SMTP** check box.
- If each system uses a separate NIC, select the **Configure NICs for every system separately** check box.
- If all the systems use the same NIC, select the NIC for the VCS Notifier to be used on all systems. If not, select the NIC to be used by each system.
- In the **SMTP Server** box, enter the domain-based hostname of the SMTP server. Example: `smtp.yourcompany.com`
- In the **Recipient** box, enter the full email address of the SMTP recipient. Example: `user@yourcompany.com`.
- In the **Event** list box, select the minimum security level of messages to be sent to each recipient.
- Click **Add** to add more SMTP recipients, if necessary.

### SNMP

- Select the **Configure SNMP** check box.
- If each system uses a separate NIC, select the **Configure NICs for every system separately** check box.
- If all the systems use the same NIC, select the NIC for the VCS Notifier to be used on all systems. If not, select the NIC to be used by each system.
- In the **SNMP Port** box, enter the SNMP trap daemon port: (162).
- In the **Console System Name** box, enter the SNMP console system name.
- In the **Event** list box, select the minimum security level of messages to be sent to each console.
- Click **Add** to add more SNMP consoles, if necessary.

### GCO

If you installed a valid HA/DR license, you can now enter the wide-area heartbeat link details for the global cluster that you would set up later.

See the *Veritas Storage Foundation Cluster File System High Availability Installation Guide* for instructions to set up SFCFSHA global clusters.

- Select the **Configure GCO** check box.
- If each system uses a separate NIC, select the **Configure NICs for every system separately** check box.
- Select a NIC.
- Enter a virtual IP address and value for the netmask. You can use an IPv4 or an IPv6 address.

Click **Next**.

- 8 On the Stop Processes page, click **Next** after the installer stops all the processes successfully.
- 9 On the Start Processes page, click **Next** after the installer performs the configuration based on the details you provided and starts all the processes successfully.

If you did not choose to configure I/O fencing in step 4, then skip to step 11. Go to step 10 to configure fencing.

10 On the Select Fencing Type page, choose the type of fencing configuration:

**Configure Coordination Point client based fencing** Choose this option to configure server-based I/O fencing.

**Configure disk based fencing** Choose this option to configure disk-based I/O fencing.

Based on the fencing type you choose to configure, follow the installer prompts.

See [“Configuring Storage Foundation Cluster File System High Availability for data integrity using the Web-based installer”](#) on page 150.

11 Click **Next** to complete the process of configuring Storage Foundation Cluster File System High Availability.

On the Completion page, view the summary file, log file, or response file, if needed, to confirm the configuration.

12 Select the checkbox to specify whether you want to send your installation information to Symantec.

Click **Finish**. The installer prompts you for another task.

## Configuring Storage Foundation Cluster File System High Availability for data integrity using the Web-based installer

After you configure Storage Foundation Cluster File System High Availability, you must configure the cluster for data integrity. Review the configuration requirements.

See [“Configuring Storage Foundation Cluster File System High Availability using the Web-based installer”](#) on page 145.

See [“About planning to configure I/O fencing”](#) on page 67.

Ways to configure I/O fencing using the Web-based installer:

- See [“Configuring disk-based fencing for data integrity using the Web-based installer”](#) on page 151.
- See [“Configuring server-based fencing for data integrity using the Web-based installer”](#) on page 153.
- See [“Configuring fencing in disabled mode using the Web-based installer”](#) on page 155.
- See [“Online fencing migration mode using the Web-based installer”](#) on page 156.

## Configuring disk-based fencing for data integrity using the Web-based installer

After you configure Storage Foundation Cluster File System High Availability, you must configure the cluster for data integrity. Review the configuration requirements.

See [“Configuring Storage Foundation Cluster File System High Availability using the Web-based installer”](#) on page 145.

See [“About planning to configure I/O fencing”](#) on page 67.

### To configure Storage Foundation Cluster File System High Availability for data integrity

- 1 Start the Web-based installer.

See [“Starting the Veritas Web-based installer”](#) on page 140.

- 2 On the Select a task and a product page, select the task and the product as follows:

<b>Task</b>	I/O fencing configuration
<b>Product</b>	Storage Foundation Cluster File System/HA

Click **Next**.

- 3 Verify the cluster information that the installer presents and confirm whether you want to configure I/O fencing on the cluster.

- 4 On the Select Cluster page, click **Next** if the installer completes the cluster verification successfully.

The installer performs the initial system verification. It checks for the system communication. It also checks for release compatibility, installed product version, platform version, and performs product prechecks.

- 5 On the Select Fencing Type page, select the `Configure disk-based fencing` option.

- 6 In the Confirmation dialog box that appears, confirm whether your storage environment supports SCSI-3 PR.

You can configure non-SCSI-3 server-based fencing in a virtual environment that is not SCSI-3 PR compliant.

- 7 On the Configure Fencing page, the installer prompts for details based on the fencing type you chose to configure. Specify the coordination points details.

Click **Next**.

- 8 On the Configure Fencing page, specify the following information:

- Select a Disk Group** Select the **Create a new disk group** option or select one of the disk groups from the list.
- If you selected one of the disk groups that is listed, choose the fencing disk policy for the disk group.
  - If you selected the **Create a new disk group** option, make sure you have SCSI-3 PR enabled disks, and click **Yes** in the confirmation dialog box.  
Click **Next**.

9 On the Create New DG page, specify the following information:

- New Disk Group Name** Enter a name for the new coordinator disk group you want to create.
- Select Disks** Select at least three disks to create the coordinator disk group.  
  
If you want to select more than three disks, make sure to select an odd number of disks.
- Fencing Disk Policy** Choose the fencing disk policy for the disk group.

10 If you want to configure the Coordination Point agent on the client cluster, do the following:

- At the prompt for configuring the Coordination Point agent on the client cluster, click **Yes** and enter the Coordination Point agent service group name.
- If you want to set the LevelTwoMonitorFreq attribute, click Yes at the prompt and enter a value (0 to 65535).
- Follow the rest of the prompts to complete the Coordination Point agent configuration.

11 Click **Next** to complete the process of configuring I/O fencing.

On the Completion page, view the summary file, log file, or response file, if needed, to confirm the configuration.

12 Select the checkbox to specify whether you want to send your installation information to Symantec.

Click **Finish**. The installer prompts you for another task.



## Configuring server-based fencing for data integrity using the Web-based installer

After you configure Storage Foundation Cluster File System High Availability, you must configure the cluster for data integrity. Review the configuration requirements.

See [“Configuring Storage Foundation Cluster File System High Availability using the Web-based installer”](#) on page 145.

See [“About planning to configure I/O fencing”](#) on page 67.

### To configure Storage Foundation Cluster File System High Availability for data integrity

- 1 Start the Web-based installer.

See [“Starting the Veritas Web-based installer”](#) on page 140.

- 2 On the Select a task and a product page, select the task and the product as follows:

<b>Task</b>	I/O fencing configuration
<b>Product</b>	Storage Foundation Cluster File System/HA

Click **Next**.

- 3 Verify the cluster information that the installer presents and confirm whether you want to configure I/O fencing on the cluster.

- 4 On the Select Cluster page, click **Next** if the installer completes the cluster verification successfully.

The installer performs the initial system verification. It checks for the system communication. It also checks for release compatibility, installed product version, platform version, and performs product prechecks.

- 5 On the Select Fencing Type page, select the `Configure server-based fencing` option.

- 6 In the Confirmation dialog box that appears, confirm whether your storage environment supports SCSI-3 PR.

You can configure non-SCSI-3 server-based fencing in a virtual environment that is not SCSI-3 PR compliant.

- 7 On the Configure Fencing page, the installer prompts for details based on the fencing type you chose to configure. Specify the coordination points details.

Click **Next**.

- 8 Provide the following details for each of the CP servers:

- Enter the virtual IP addresses or host names of the virtual IP address. The installer assumes these values to be identical as viewed from all the application cluster nodes.
  - Enter the port that the CP server must listen on.
  - Click **Next**.
- 9 If your server-based fencing configuration also uses disks as coordination points, perform the following steps:
  - If you have not already checked the disks for SCSI-3 PR compliance, check the disks now, and click OK in the dialog box.
  - If you do not want to use the default coordinator disk group name, enter a name for the new coordinator disk group you want to create.
  - Select the disks to create the coordinator disk group.
  - Choose the fencing disk policy for the disk group.  
The default fencing disk policy for the disk group is dmp.
- 10 In the Confirmation dialog box that appears, confirm whether the coordination points information you provided is correct, and click **Yes**.
- 11 Verify and confirm the I/O fencing configuration information.  
The installer stops and restarts the VCS and the fencing processes on each application cluster node, and completes the I/O fencing configuration.
- 12 If you want to configure the Coordination Point agent on the client cluster, do the following:
  - At the prompt for configuring the Coordination Point agent on the client cluster, click **Yes** and enter the Coordination Point agent service group name.
  - Follow the rest of the prompts to complete the Coordination Point agent configuration.
- 13 Click **Next** to complete the process of configuring I/O fencing.  
On the Completion page, view the summary file, log file, or response file, if needed, to confirm the configuration.
- 14 Select the checkbox to specify whether you want to send your installation information to Symantec.  
Click **Finish**. The installer prompts you for another task.

## Configuring fencing in disabled mode using the Web-based installer

After you configure Storage Foundation Cluster File System High Availability, you must configure the cluster for data integrity. Review the configuration requirements.

See [“Configuring Storage Foundation Cluster File System High Availability using the Web-based installer”](#) on page 145.

See [“About planning to configure I/O fencing”](#) on page 67.

### To configure Storage Foundation Cluster File System High Availability for data integrity

- 1 Start the Web-based installer.

See [“Starting the Veritas Web-based installer”](#) on page 140.

- 2 On the Select a task and a product page, select the task and the product as follows:

<b>Task</b>	I/O fencing configuration
<b>Product</b>	Storage Foundation Cluster File System/HA

Click **Next**.

- 3 Verify the cluster information that the installer presents and confirm whether you want to configure I/O fencing on the cluster.

- 4 On the Select Cluster page, click **Next** if the installer completes the cluster verification successfully.

The installer performs the initial system verification. It checks for the system communication. It also checks for release compatibility, installed product version, platform version, and performs product prechecks.

- 5 Fencing may be enabled, installer may prompt whether you want to reconfigure it.

Click **Yes**.

- 6 On the Select Fencing Type page, select the `Configure fencing in disabled mode` option.

- 7 Installer stops VCS before applying the selected fencing mode to the cluster.

---

**Note:** Unfreeze any frozen service group and unmount any file system that is mounted in the cluster.

---

Click **Yes**.

- 8 Installer restarts VCS on all systems of the cluster. I/O fencing is disabled.

- 9 Verify and confirm the I/O fencing configuration information.

On the Completion page, view the summary file, log file, or response file, if needed, to confirm the configuration.

- 10 Select the checkbox to specify whether you want to send your installation information to Symantec.

Click **Finish**. The installer prompts you for another task.

## Online fencing migration mode using the Web-based installer

After you configure Storage Foundation Cluster File System High Availability, you must configure the cluster for data integrity. Review the configuration requirements.

See [“Configuring Storage Foundation Cluster File System High Availability using the Web-based installer”](#) on page 145.

See [“About planning to configure I/O fencing”](#) on page 67.

### To configure Storage Foundation Cluster File System High Availability for data integrity

- 1 Start the Web-based installer.

See [“Starting the Veritas Web-based installer”](#) on page 140.

- 2 On the Select a task and a product page, select the task and the product as follows:

<b>Task</b>	I/O fencing configuration
<b>Product</b>	Storage Foundation Cluster File System/HA

Click **Next**.

- 3 Verify the cluster information that the installer presents and confirm whether you want to configure I/O fencing on the cluster.

- 4 On the Select Cluster page, click **Next** if the installer completes the cluster verification successfully.  

The installer performs the initial system verification. It checks for the system communication. It also checks for release compatibility, installed product version, platform version, and performs product prechecks.
- 5 Fencing may be enabled, installer may prompt whether you want to reconfigure it.  

Click **Yes**.
- 6 On the Select Fencing Type page, select the `Online fencing migration` option.
- 7 The installer prompts to select the coordination points you want to remove from the currently configured coordination points.  

Click **Next**.
- 8 Provide the number of Coordination point server and disk coordination points to be added to the configuration.  

Click **Next**.
- 9 Provide the number of virtual IP addresses or Fully Qualified Host Name (FQHN) used for each coordination point server.  

Click **Next**.
- 10 Provide the IP or FQHN and port number for each coordination point server.  

Click **Next**.
- 11 Installer prompts to confirm the online migration coordination point servers.  

Click **Yes**.

---

**Note:** If the coordination point servers are configured in secure mode, then the communication between coordination point servers and client servers happen in secure mode.

---

- 12 Installer proceeds with migration of the new coordination point servers. VCS is restarted during configuration.  

Click **Next**.
- 13 You can add a Coordination Point agent to the client cluster and also provide name to the agent.
- 14 Click **Next**.

- 15 On the Completion page, view the summary file, log file, or response file, if needed, to confirm the configuration.
- 16 Select the checkbox to specify whether you want to send your installation information to Symantec.

Click **Finish**. The installer prompts you for another task.

# Automated installation using response files

- [Chapter 12. Performing an automated SFCFSHA installation](#)
- [Chapter 13. Performing an automated SFCFSHA configuration](#)
- [Chapter 14. Performing an automated I/O fencing configuration using response files](#)

# Performing an automated SFCFSHA installation

This chapter includes the following topics:

- [Installing SFCFSHA using response files](#)
- [Response file variables to install Veritas Storage Foundation Cluster File System High Availability](#)
- [Sample response file for Veritas Storage Foundation Cluster File System High Availability installation](#)

## Installing SFCFSHA using response files

Typically, you can use the response file that the installer generates after you perform SFCFSHA installation on one cluster to install SFCFSHA on other clusters. You can also create a response file using the `-makeresponsefile` option of the installer.

### To install SFCFSHA using response files

- 1 Make sure the systems where you want to install SFCFSHA meet the installation requirements.
- 2 Make sure the preinstallation tasks are completed.
- 3 Copy the response file to one of the cluster systems where you want to install SFCFSHA.
- 4 Edit the values of the response file variables as necessary.



- 5 Mount the product disc and navigate to the directory that contains the installation program.
- 6 Start the installation from the system to which you copied the response file. For example:

```
# ./installer -responsefile /tmp/response_file
# ./installsfcfsha -responsefile /tmp/response_file
```

Where `/tmp/response_file` is the response file's full path name.

See [“About the Veritas installer”](#) on page 42.

## Response file variables to install Veritas Storage Foundation Cluster File System High Availability

[Table 12-1](#) lists the response file variables that you can define to install SFCFSHA.

**Table 12-1** Response file variables for installing SFCFSHA

Variable	Description
CFG{opt}{install}	Installs SFCFSHA RPMs. Configuration can be performed at a later time using the <code>-configure</code> option.  List or scalar: scalar  Optional or required: optional
CFG{opt}{installallpkgs} or CFG{opt}{installrecpkgs} or CFG{opt}{installminpkgs}	Instructs the installer to install SFCFSHA RPMs based on the variable that has the value set to 1: <ul style="list-style-type: none"> <li>■ <code>installallpkgs</code>: Installs all RPMs</li> <li>■ <code>installrecpkgs</code>: Installs recommended RPMs</li> <li>■ <code>installminpkgs</code>: Installs minimum RPMs</li> </ul> <p><b>Note:</b> Set only one of these variable values to 1. In addition to setting the value of one of these variables, you must set the variable <code>\$CFG{opt}{install}</code> to 1.</p> List or scalar: scalar  Optional or required: required

**Table 12-1** Response file variables for installing SFCFSHA (*continued*)

Variable	Description
CFG{accepteula}	Specifies whether you agree with the EULA.pdf file on the media.  List or scalar: scalar  Optional or required: required
CFG{opt}{vxkeyless}	Installs the product with keyless license.  List or scalar: scalar  Optional or required: optional
CFG{opt}{license}	Installs the product with permanent license.  List or scalar: scalar  Optional or required: optional
CFG{keys}{hostname}	List of keys to be registered on the system if the variable CFG{opt}{vxkeyless} is set to 0 or if the variable \$CFG{opt}{licence} is set to 1.  List or scalar: scalar  Optional or required: optional
CFG{systems}	List of systems on which the product is to be installed or uninstalled.  List or scalar: list  Optional or required: required
CFG{prod}	Defines the product to be installed or uninstalled.  List or scalar: scalar  Optional or required: required
CFG{opt}{keyfile}	Defines the location of an ssh keyfile that is used to communicate with all remote systems.  List or scalar: scalar  Optional or required: optional

**Table 12-1** Response file variables for installing SFCFSHA (*continued*)

Variable	Description
CFG{opt}{pkgpath}	<p>Defines a location, typically an NFS mount, from which all remote systems can install product RPMs. The location must be accessible from all target systems.</p> <p>List or scalar: scalar</p> <p>Optional or required: optional</p>
CFG{opt}{tmppath}	<p>Defines the location where a working directory is created to store temporary files and the RPMs that are needed during the install. The default location is /var/tmp.</p> <p>List or scalar: scalar</p> <p>Optional or required: optional</p>
CFG{opt}{rsh}	<p>Defines that <i>rsh</i> must be used instead of <i>ssh</i> as the communication method between systems.</p> <p>List or scalar: scalar</p> <p>Optional or required: optional</p>
CFG{opt}{logpath}	<p>Mentions the location where the log files are to be copied. The default location is /opt/VRTS/install/logs.</p> <p>List or scalar: scalar</p> <p>Optional or required: optional</p>
CFG{opt}{prodmode}	<p>List of modes for product</p> <p>List or scalar: list</p> <p>Optional or required: optional</p>

## Sample response file for Veritas Storage Foundation Cluster File System High Availability installation

The following example shows a response file for installing Veritas Storage Foundation Cluster File System High Availability.

```
#####
#Auto generated sfcfsha responsefile #
#####
```

**Sample response file for Veritas Storage Foundation Cluster File System High Availability installation**

```
our %CFG;
$CFG{accepteula}=1;
$CFG{opt}{rsh}=1;
$CFG{opt}{gco}=1;
$CFG{opt}{vr}=1;
$CFG{opt}{install}=1;
$CFG{opt}{installallpkgs}=1;
$CFG{prod}="SFCFSHA60";
$CFG{systems}=[ qw( sys1 sys2 ) ];
$CFG{opt}{logpath}="/opt/VRTS/install/logs/installsfdfs-xxxxxx/
installsfdfs-xxxxxx.response";

1;
```

# Performing an automated SFCFSHA configuration

This chapter includes the following topics:

- [Configuring SFCFSHA using response files](#)
- [Response file variables to configure Veritas Storage Foundation Cluster File System High Availability](#)
- [Sample response file for Veritas Storage Foundation Cluster File System High Availability configuration](#)

## Configuring SFCFSHA using response files

Typically, you can use the response file that the installer generates after you perform SFCFSHA configuration on one cluster to configure SFCFSHA on other clusters. You can also create a response file using the `-makeresponsefile` option of the installer.

### To configure SFCFSHA using response files

- 1 Make sure the SFCFSHA RPMs are installed on the systems where you want to configure SFCFSHA.
- 2 Copy the response file to one of the cluster systems where you want to configure SFCFSHA.

- 3 Edit the values of the response file variables as necessary.

To configure optional features, you must define appropriate values for all the response file variables that are related to the optional feature.

See [“Response file variables to configure Veritas Storage Foundation Cluster File System High Availability”](#) on page 166.

- 4 Start the configuration from the system to which you copied the response file. For example:

```
# /opt/VRTS/install/installsfcfsha<version>
-responsefile /tmp/response_file
```

Where *<version>* is the specific release version, and */tmp/response\_file* is the response file’s full path name.

See [“About the Veritas installer”](#) on page 42.

## Response file variables to configure Veritas Storage Foundation Cluster File System High Availability

[Table 13-1](#) lists the response file variables that you can define to configure SFCFSHA.

**Table 13-1** Response file variables specific to configuring Veritas Storage Foundation Cluster File System High Availability

Variable	List or Scalar	Description
\$CFG{config_cfs}	Scalar	Performs the Cluster File System configuration for SFCFSHA.  (Required)  Set the value to 1 to configure Cluster File System for SFCFSHA.
CFG{opt}{configure}	Scalar	Performs the configuration if the RPMs are already installed.  (Required)  Set the value to 1 to configure SFCFSHA.
CFG{accepteula}	Scalar	Specifies whether you agree with EULA.pdf on the media.  (Required)

**Table 13-1** Response file variables specific to configuring Veritas Storage Foundation Cluster File System High Availability (*continued*)

Variable	List or Scalar	Description
CFG{systems}	List	List of systems on which the product is to be configured.  (Required)
CFG{prod}	Scalar	Defines the product to be configured.  The value is SFCFSHA60 for SFCFSHA  (Required)
CFG{opt}{keyfile}	Scalar	Defines the location of an ssh keyfile that is used to communicate with all remote systems.  (Optional)
CFG{opt}{rsh}	Scalar	Defines that <i>rsh</i> must be used instead of <i>ssh</i> as the communication method between systems.  (Optional)
CFG{opt}{logpath}	Scalar	Mentions the location where the log files are to be copied. The default location is <code>/opt/VRTS/install/logs</code> .  <b>Note:</b> The installer copies the response files and summary files also to the specified <i>logpath</i> location.  (Optional)
CFG{uploadlogs}	Scalar	Defines a Boolean value 0 or 1.  The value 1 indicates that the installation logs are uploaded to the Symantec Web site.  The value 0 indicates that the installation logs are not uploaded to the Symantec Web site.  (Optional)

Note that some optional variables make it necessary to define other optional variables. For example, all the variables that are related to the cluster service group (csgnic, csgvip, and csgnetmask) must be defined if any are defined. The same is true for the SMTP notification (smtpserver, smtprecp, and smtpsev), the SNMP trap notification (snmpport, snmpcons, and snmpcsev), and the Global Cluster Option (gconic, gcovip, and gconetmask).

[Table 13-2](#) lists the response file variables that specify the required information to configure a basic Storage Foundation Cluster File System High Availability cluster.

**Table 13-2** Response file variables specific to configuring a basic Storage Foundation Cluster File System High Availability cluster

Variable	List or Scalar	Description
CFG{vcs_clusterid}	Scalar	An integer between 0 and 65535 that uniquely identifies the cluster. (Required)
CFG{vcs_clustername}	Scalar	Defines the name of the cluster. (Required)
CFG{vcs_allowcomms}	Scalar	Indicates whether or not to start LLT and GAB when you set up a single-node cluster. The value can be 0 (do not start) or 1 (start). (Required)
CFG{fencingenabled}	Scalar	In a Storage Foundation Cluster File System High Availability configuration, defines if fencing is enabled. Valid values are 0 or 1. (Required)

[Table 13-3](#) lists the response file variables that specify the required information to configure LLT over Ethernet.



**Table 13-3** Response file variables specific to configuring private LLT over Ethernet

Variable	List or Scalar	Description
CFG{vcs_lltlink#} {"system"}	Scalar	Defines the NIC to be used for a private heartbeat link on each system. Two LLT links are required per system (lltlink1 and lltlink2). You can configure up to four LLT links.  You must enclose the system name within double quotes.  (Required)
CFG{vcs_lltlinklowpri#} {"system"}	Scalar	Defines a low priority heartbeat link. Typically, lltlinklowpri is used on a public network link to provide an additional layer of communication.  If you use different media speed for the private NICs, you can configure the NICs with lesser speed as low-priority links to enhance LLT performance. For example, lltlinklowpri1, lltlinklowpri2, and so on.  You must enclose the system name within double quotes.  (Optional)

[Table 13-4](#) lists the response file variables that specify the required information to configure LLT over UDP.

**Table 13-4** Response file variables specific to configuring LLT over UDP

Variable	List or Scalar	Description
CFG{lltverudp}=1	Scalar	Indicates whether to configure heartbeat link using LLT over UDP.  (Required)

**Table 13-4** Response file variables specific to configuring LLT over UDP  
(continued)

Variable	List or Scalar	Description
CFG{vcs_udplink<n>_address} {<system1>}	Scalar	Stores the IP address (IPv4 or IPv6) that the heartbeat link uses on node1.  You can have four heartbeat links and <n> for this response file variable can take values 1 to 4 for the respective heartbeat links.  (Required)
CFG {vcs_udplinklowpri<n>_address} {<system1>}	Scalar	Stores the IP address (IPv4 or IPv6) that the low priority heartbeat link uses on node1.  You can have four low priority heartbeat links and <n> for this response file variable can take values 1 to 4 for the respective low priority heartbeat links.  (Required)
CFG{vcs_udplink<n>_port} {<system1>}	Scalar	Stores the UDP port (16-bit integer value) that the heartbeat link uses on node1.  You can have four heartbeat links and <n> for this response file variable can take values 1 to 4 for the respective heartbeat links.  (Required)
CFG{vcs_udplinklowpri<n>_port} {<system1>}	Scalar	Stores the UDP port (16-bit integer value) that the low priority heartbeat link uses on node1.  You can have four low priority heartbeat links and <n> for this response file variable can take values 1 to 4 for the respective low priority heartbeat links.  (Required)

**Table 13-4** Response file variables specific to configuring LLT over UDP  
(continued)

Variable	List or Scalar	Description
CFG{vcs_udplink<n>_netmask} {<system1>}	Scalar	Stores the netmask (prefix for IPv6) that the heartbeat link uses on node1.  You can have four heartbeat links and <n> for this response file variable can take values 1 to 4 for the respective heartbeat links.  (Required)
CFG{vcs_udplinklowpri<n>_netmask} {<system1>}	Scalar	Stores the netmask (prefix for IPv6) that the low priority heartbeat link uses on node1.  You can have four low priority heartbeat links and <n> for this response file variable can take values 1 to 4 for the respective low priority heartbeat links.  (Required)

[Table 13-5](#) lists the response file variables that specify the required information to configure virtual IP for Storage Foundation Cluster File System High Availability cluster.

**Table 13-5** Response file variables specific to configuring virtual IP for Storage Foundation Cluster File System High Availability cluster

Variable	List or Scalar	Description
CFG{vcs_csgnic} {system}	Scalar	Defines the NIC device to use on a system. You can enter 'all' as a system value if the same NIC is used on all systems.  (Optional)
CFG{vcs_csgvip}	Scalar	Defines the virtual IP address for the cluster.  (Optional)

**Table 13-5** Response file variables specific to configuring virtual IP for Storage Foundation Cluster File System High Availability cluster (*continued*)

Variable	List or Scalar	Description
CFG{vcs_csgnetmask}	Scalar	Defines the Netmask of the virtual IP address for the cluster.  (Optional)

[Table 13-6](#) lists the response file variables that specify the required information to configure the Storage Foundation Cluster File System High Availability cluster in secure mode.

**Table 13-6** Response file variables specific to configuring Storage Foundation Cluster File System High Availability cluster in secure mode

Variable	List or Scalar	Description
CFG{vcs_eat_security}	Scalar	Specifies if the cluster is in secure enabled mode or not.
CFG{opt}{securityonenode}	Scalar	Specifies that the securityonenode option is being used.
CFG{securityonenode_menu}	Scalar	Specifies the menu option to choose to configure the secure cluster one at a time. <ul style="list-style-type: none"> <li>■ 1—Configure the first node</li> <li>■ 2—Configure the other node</li> </ul>
CFG{security_conf_dir}	Scalar	Specifies the directory where the configuration files are placed.
CFG{opt}{security}	Scalar	Specifies that the security option is being used.
CFG{opt}{fips}	Scalar	Specifies that the FIPS option is being used.
CFG{vcs_eat_security_fips}	Scalar	Specifies that the enabled security is FIPS compliant.

[Table 13-7](#) lists the response file variables that specify the required information to configure VCS users.

**Table 13-7** Response file variables specific to configuring VCS users

Variable	List or Scalar	Description
CFG{vcs_userenpw}	List	List of encoded passwords for VCS users  The value in the list can be "Administrators Operators Guests"  <b>Note:</b> The order of the values for the vcs_userenpw list must match the order of the values in the vcs_username list.  (Optional)
CFG{vcs_username}	List	List of names of VCS users  (Optional)
CFG{vcs_userpriv}	List	List of privileges for VCS users  <b>Note:</b> The order of the values for the vcs_userpriv list must match the order of the values in the vcs_username list.  (Optional)

[Table 13-8](#) lists the response file variables that specify the required information to configure VCS notifications using SMTP.

**Table 13-8** Response file variables specific to configuring VCS notifications using SMTP

Variable	List or Scalar	Description
CFG{vcs_smtpserver}	Scalar	Defines the domain-based hostname (example: smtp.symantecexample.com) of the SMTP server to be used for Web notification.  (Optional)
CFG{vcs_smtprecip}	List	List of full email addresses (example: user@symantecexample.com) of SMTP recipients.  (Optional)

**Table 13-8** Response file variables specific to configuring VCS notifications using SMTP (*continued*)

Variable	List or Scalar	Description
CFG{vcs_smtpsev}	List	Defines the minimum severity level of messages (Information, Warning, Error, SevereError) that listed SMTP recipients are to receive. Note that the ordering of severity levels must match that of the addresses of SMTP recipients.  (Optional)

Table 13-9 lists the response file variables that specify the required information to configure VCS notifications using SNMP.

**Table 13-9** Response file variables specific to configuring VCS notifications using SNMP

Variable	List or Scalar	Description
CFG{vcs_snmpport}	Scalar	Defines the SNMP trap daemon port (default=162).  (Optional)
CFG{vcs_snmpcons}	List	List of SNMP console system names  (Optional)
CFG{vcs_snmpsev}	List	Defines the minimum severity level of messages (Information, Warning, Error, SevereError) that listed SNMP consoles are to receive. Note that the ordering of severity levels must match that of the SNMP console system names.  (Optional)

Table 13-10 lists the response file variables that specify the required information to configure Storage Foundation Cluster File System High Availability global clusters.

**Table 13-10** Response file variables specific to configuring Storage Foundation Cluster File System High Availability global clusters

Variable	List or Scalar	Description
CFG{vcs_gconic} {system}	Scalar	Defines the NIC for the Virtual IP that the Global Cluster Option uses. You can enter 'all' as a system value if the same NIC is used on all systems.  (Optional)
CFG{vcs_gcovip}	Scalar	Defines the virtual IP address to that the Global Cluster Option uses.  (Optional)
CFG{vcs_gconetmask}	Scalar	Defines the Netmask of the virtual IP address that the Global Cluster Option uses.  (Optional)

## Sample response file for Veritas Storage Foundation Cluster File System High Availability configuration

The following example shows a response file for configuring Veritas Storage Foundation Cluster File System High Availability.

```
#####
#Auto generated sfcfsha responsefile #
#####

our %CFG;
$CFG{accepteula}=1;
$CFG{opt}{rsh}=1;
$CFG{opt}{trace}=0;
$CFG{vcs_allowcomms}=1;
$CFG{opt}{gco}=1;
$CFG{opt}{vr}=1;
$CFG{opt}{configure}=1;
$CFG{prod}="SFCFSHA60";
$CFG{systems}=[ qw( system01 system02 ) ];
$CFG{sfcfs_cvmtimeout}=200;
```

**Sample response file for Veritas Storage Foundation Cluster File System High Availability configuration**

```
$CFG{sfcfs_fencingenabled}=0;
$CFG{vm_newnames_file}{system01}=0;
$CFG{vm_restore_cfg}{system01}=0;
$CFG{vm_newnames_file}{system02}=0;
$CFG{vm_restore_cfg}{system02}=0;
$CFG{vcs_clusterid}=127;
$CFG{vcs_clustername}="uxrt6_lin";
$CFG{vcs_username}=[ qw(admin operator) ];
$CFG{vcs_userenpw}=[ qw(JlmElgLimHmKumGlj
bQOsOUnVQoOUnTQsOSnUQuOUnPQtOS) ];
$CFG{vcs_userpriv}=[ qw(Administrators Operators) ];
$CFG{vcs_11tlink1}{system01}="eth1";
$CFG{vcs_11tlink2}{system01}="eth2";
$CFG{vcs_11tlink1}{system02}="eth1";
$CFG{vcs_11tlink2}{system02}="eth2";
$CFG{vcs_enabled}=1;
$CFG{opt}{logpath}="/opt/VRTS/install/logs/installsfdfs-xxxxxx/
installsfdfs-xxxxxx.response";

1;
```



# Performing an automated I/O fencing configuration using response files

This chapter includes the following topics:

- [Configuring I/O fencing using response files](#)
- [Response file variables to configure disk-based I/O fencing](#)
- [Sample response file for configuring disk-based I/O fencing](#)
- [Configuring CP server using response files](#)
- [Response file variables to configure server-based I/O fencing](#)
- [Sample response file for configuring server-based I/O fencing](#)
- [Response file variables to configure non-SCSI-3 server-based I/O fencing](#)
- [Sample response file for configuring non-SCSI-3 server-based I/O fencing](#)

## Configuring I/O fencing using response files

Typically, you can use the response file that the installer generates after you perform I/O fencing configuration to configure I/O fencing for Storage Foundation Cluster File System High Availability.

**To configure I/O fencing using response files**

- 1 Make sure that Storage Foundation Cluster File System High Availability is configured.
- 2 Based on whether you want to configure disk-based or server-based I/O fencing, make sure you have completed the preparatory tasks.  
 See [“About planning to configure I/O fencing”](#) on page 67.
- 3 Copy the response file to one of the cluster systems where you want to configure I/O fencing.  
 See [“Sample response file for configuring disk-based I/O fencing”](#) on page 181.  
 See [“Sample response file for configuring server-based I/O fencing”](#) on page 187.
- 4 Edit the values of the response file variables as necessary.  
 See [“Response file variables to configure disk-based I/O fencing”](#) on page 178.  
 See [“Response file variables to configure server-based I/O fencing”](#) on page 186.
- 5 Start the configuration from the system to which you copied the response file. For example:

```
# /opt/VRTS/install/installsfcfsha<version>
-responsefile /tmp/response_file
```

Where *<version>* is the specific release version, and */tmp/response\_file* is the response file’s full path name.

See [“About the Veritas installer”](#) on page 42.

# Response file variables to configure disk-based I/O fencing

[Table 14-1](#) lists the response file variables that specify the required information to configure disk-based I/O fencing for SFCFSHA.

**Table 14-1** Response file variables specific to configuring disk-based I/O fencing

Variable	List or Scalar	Description
CFG{opt}{fencing}	Scalar	Performs the I/O fencing configuration. (Required)

**Table 14-1** Response file variables specific to configuring disk-based I/O fencing  
*(continued)*

Variable	List or Scalar	Description
CFG{fencing_option}	Scalar	<p>Specifies the I/O fencing configuration mode.</p> <ul style="list-style-type: none"> <li>■ 1—Coordination Point Server-based I/O fencing</li> <li>■ 2—Coordinator disk-based I/O fencing</li> <li>■ 3—Disabled mode</li> <li>■ 4—Fencing migration when the cluster is online</li> </ul> <p>(Required)</p>
CFG {fencing_scsi3_disk_policy}	Scalar	<p>Specifies the I/O fencing mechanism.</p> <p>This variable is not required if you had configured fencing in disabled mode. For disk-based fencing, you must configure the <code>fencing_scsi3_disk_policy</code> variable and either the <code>fencing_dgname</code> variable or the <code>fencing_newdg_disks</code> variable.</p> <p>(Optional)</p>
CFG{fencing_dgname}	Scalar	<p>Specifies the disk group for I/O fencing.</p> <p>(Optional)</p> <p><b>Note:</b> You must define the <code>fencing_dgname</code> variable to use an existing disk group. If you want to create a new disk group, you must use both the <code>fencing_dgname</code> variable and the <code>fencing_newdg_disks</code> variable.</p>

**Table 14-1** Response file variables specific to configuring disk-based I/O fencing  
*(continued)*

Variable	List or Scalar	Description
CFG{fencing_newdg_disks}	List	<p>Specifies the disks to use to create a new disk group for I/O fencing.</p> <p>(Optional)</p> <p><b>Note:</b> You must define the <code>fencing_dgname</code> variable to use an existing disk group. If you want to create a new disk group, you must use both the <code>fencing_dgname</code> variable and the <code>fencing_newdg_disks</code> variable.</p>
CFG{fencing_cpagent_monitor_freq}	Scalar	<p>Specifies the frequency at which the Coordination Point Agent monitors for any changes to the Coordinator Disk Group constitution.</p> <p><b>Note:</b> Coordination Point Agent can also monitor changes to the Coordinator Disk Group constitution such as a disk being accidentally deleted from the Coordinator Disk Group. The frequency of this detailed monitoring can be tuned with the <code>LevelTwoMonitorFreq</code> attribute. For example, if you set this attribute to 5, the agent will monitor the Coordinator Disk Group constitution every five monitor cycles. If <code>LevelTwoMonitorFreq</code> attribute is not set, the agent will not monitor any changes to the Coordinator Disk Group. 0 means not to monitor the Coordinator Disk Group constitution.</p>
CFG {fencing_config_cpagent}	Scalar	<p>Enter '1' or '0' depending upon whether you want to configure the Coordination Point agent using the installer or not.</p> <p>Enter "0" if you do not want to configure the Coordination Point agent using the installer.</p> <p>Enter "1" if you want to use the installer to configure the Coordination Point agent.</p>

**Table 14-1** Response file variables specific to configuring disk-based I/O fencing  
*(continued)*

Variable	List or Scalar	Description
CFG {fencing_cpagentgrp}	Scalar	Name of the service group which will have the Coordination Point agent resource as part of it.  <b>Note:</b> This field is obsolete if the <b>fencing_config_cpagent</b> field is given a value of '0'.

## Sample response file for configuring disk-based I/O fencing

Review the disk-based I/O fencing response file variables and their definitions.

See [“Response file variables to configure disk-based I/O fencing”](#) on page 178.

```
#
# Configuration Values:
#
our %CFG;

$CFG{fencing_config_cpagent}=1;
$CFG{fencing_cpagent_monitor_freq}=5;
$CFG{fencing_cpagentgrp}="vxfen";
$CFG{fencing_dgname}="fencingdg1";
$CFG{fencing_newdg_disks}=[ qw(emc_clariion0_155
    emc_clariion0_162 emc_clariion0_163) ];
$CFG{fencing_option}=2;
$CFG{fencing_scsi3_disk_policy}="dmp";
$CFG{opt}{configure}=1;
$CFG{opt}{fencing}=1;

$CFG{prod}="SFCFSHA60";

$CFG{systems}=[ qw(pilot25) ];
$CFG{vcs_clusterid}=32283;
$CFG{vcs_clustername}="whf";
1;
```

# Configuring CP server using response files

You can configure a CP server using a generated responsefile.

## On a single node VCS cluster:

- ◆ Run the `installvcs<version>` command with the `responsefile` option to configure the CP server on a single node VCS cluster.

```
# /opt/VRTS/install/installvcs<version> \
-responsefile '/tmp/sample1.res'
```

Where `<version>` is the specific release version.

See [“About the Veritas installer”](#) on page 42.

## On a SFHA cluster:

- ◆ Run the `installsfha<version>` command with the `responsefile` option to configure the CP server on a SFHA cluster.

```
# /opt/VRTS/install/installsfha<version> \
-responsefile '/tmp/sample1.res'
```

Where `<version>` is the specific release version.

See [“About the Veritas installer”](#) on page 42.

## Response file variables to configure CP server

[Table 14-2](#) shows the response file variables required to configure CP server.

**Table 14-2** describes response file variables to configure CP server

Variable	List or Scalar	Description
CFG{opt}{configcps}	Scalar	This variable performs CP server configuration task
CFG{cps_singlenode_config}	Scalar	This variable describes if the CP server will be configured on a singlenode VCS cluster
CFG{cps_sfha_config}	Scalar	This variable describes if the CP server will be configured on a SFHA cluster
CFG{cps_unconfig}	Scalar	This variable describes if the CP server will be unconfigured

**Table 14-2** describes response file variables to configure CP server (*continued*)

Variable	List or Scalar	Description
CFG{cpsname}	Scalar	This variable describes the name of the CP server
CFG{cps_db_dir}	Scalar	This variable describes the absolute path of CP server database
CFG{cps_security}	Scalar	This variable describes if security is configured for the CP server
CFG{cps_reuse_cred}	Scalar	This variable describes if reusing the existing credentials for the CP server
CFG{cps_vips}	List	This variable describes the virtual IP addresses for the CP server
CFG{cps_ports}	List	This variable describes the port number for the virtual IP addresses for the CP server
CFG{cps_nic_list}{cpsvip<n>}	List	This variable describes the NICs of the systems for the virtual IP address
CFG{cps_netmasks}	List	This variable describes the netmasks for the virtual IP addresses
CFG{cps_prefix_length}	List	This variable describes the prefix length for the virtual IP addresses
CFG{cps_network_hosts}{cpsnic<n>}	List	This variable describes the network hosts for the NIC resource
CFG{cps_vip2nicres_map}{<vip>}	Scalar	This variable describes the NIC resource to associate with the virtual IP address
CFG{cps_diskgroup}	Scalar	This variable describes the disk group for the CP server database
CFG{cps_volume}	Scalar	This variable describes the volume for the CP server database
CFG{cps_newdg_disks}	List	This variable describes the disks to be used to create a new disk group for the CP server database

**Table 14-2** describes response file variables to configure CP server (*continued*)

Variable	List or Scalar	Description
CFG{cps_newvol_volsize}	Scalar	This variable describes the volume size to create a new volume for the CP server database
CFG{cps_delete_database}	Scalar	This variable describes if deleting the database of the CP server during the unconfiguration
CFG{cps_delete_config_log}	Scalar	This variable describes if deleting the config files and log files of the CP server during the unconfiguration

## Sample response file for configuring the CP server on single node VCS cluster

Review the response file variables and their definitions.

See [Table 14-2](#) on page 182.

```
#
# Configuration Values:
#
our %CFG;

$CFG{cps_db_dir}="/etc/VRTScps/db";
$CFG{cps_netmasks}=[ qw(255.255.252.0) ];
$CFG{cps_network_hosts}{cpsnic1}=[ qw(10.200.56.22) ];
$CFG{cps_nic_list}{cpsvip1}=[ qw(en0) ];
$CFG{cps_ports}=[ qw(14250) ];
$CFG{cps_security}=0;
$CFG{cps_singlenode_config}=1;
$CFG{cps_vip2nicres_map}{"10.200.58.233"}=1;
$CFG{cps_vips}=[ qw(10.200.58.233) ];
$CFG{cpsname}="cps1";
$CFG{opt}{configcps}=1;
$CFG{opt}{configure}=1;
$CFG{prod}="VCS60";
$CFG{systems}=[ qw(cps1) ];
$CFG{vcs_clusterid}=18523;
```



```
$CFG{vcs_clustername}="vcs92216";

1;
```

## Sample response file for configuring the CP server on SFHA cluster

Review the response file variables and their definitions.

See [Table 14-2](#) on page 182.

```
#
# Configuration Values:
#
our %CFG;

$CFG{cps_db_dir}="/cpsdb";
$CFG{cps_diskgroup}="mycpsdg";
$CFG{cps_netmasks}=[ qw(255.255.252.0 255.255.252.0) ];
$CFG{cps_network_hosts}{cpsnic1}=[ qw(10.200.56.22) ];
$CFG{cps_network_hosts}{cpsnic2}=[ qw(10.200.56.22) ];
$CFG{cps_nic_list}{cpsvip1}=[ qw(eth0 eth1) ];
$CFG{cps_nic_list}{cpsvip2}=[ qw(eth0 eth1) ];
$CFG{cps_ports}=[ qw(65533 14250) ];
$CFG{cps_security}=1;
$CFG{cps_fips_mode}=0;
$CFG{cps_sfha_config}=1;
$CFG{cps_vip2nicres_map}{"10.200.58.231"}=1;
$CFG{cps_vip2nicres_map}{"10.200.58.232"}=2;
$CFG{cps_vips}=[ qw(10.200.58.231 10.200.58.232) ];
$CFG{cps_volume}="mycpsvol";
$CFG{cpsname}="cps1";
$CFG{opt}{configcps}=1;
$CFG{opt}{configure}=1;
$CFG{prod}="SFHA60";
$CFG{systems}=[ qw(cps1 cps2) ];
$CFG{vcs_clusterid}=46707;
$CFG{vcs_clustername}="sfha2233";

1;
```

# Response file variables to configure server-based I/O fencing

You can use a coordination point server-based fencing response file to configure server-based customized I/O fencing.

[Table 14-3](#) lists the fields in the response file that are relevant for server-based customized I/O fencing.

**Table 14-3** Coordination point server (CP server) based fencing response file definitions

Response file field	Definition
CFG {fencing_config_cpagent}	<p>Enter '1' or '0' depending upon whether you want to configure the Coordination Point agent using the installer or not.</p> <p>Enter "0" if you do not want to configure the Coordination Point agent using the installer.</p> <p>Enter "1" if you want to use the installer to configure the Coordination Point agent.</p>
CFG {fencing_cpagentgrp}	<p>Name of the service group which will have the Coordination Point agent resource as part of it.</p> <p><b>Note:</b> This field is obsolete if the <code>fencing_config_cpagent</code> field is given a value of '0'.</p>
CFG {fencing_cps}	<p>Virtual IP address or Virtual hostname of the CP servers.</p>
CFG {fencing_reusedg}	<p>This response file field indicates whether to reuse an existing DG name for the fencing configuration in customized fencing (CP server and coordinator disks).</p> <p>Enter either a "1" or "0".</p> <p>Entering a "1" indicates reuse, and entering a "0" indicates do not reuse.</p> <p>When reusing an existing DG name for the mixed mode fencing configuration, you need to manually add a line of text, such as "<code>CFG{fencing_reusedg}=0</code>" or "<code>CFG{fencing_reusedg}=1</code>" before proceeding with a silent installation.</p>

**Table 14-3** Coordination point server (CP server) based fencing response file definitions (*continued*)

Response file field	Definition
CFG {fencing_dgname}	The name of the disk group to be used in the customized fencing, where at least one disk is being used.
CFG {fencing_disks}	The disks being used as coordination points if any.
CFG {fencing_ncp}	Total number of coordination points being used, including both CP servers and disks.
CFG {fencing_ndisks}	The number of disks being used.
CFG {fencing_cps_vips}	The virtual IP addresses or the fully qualified host names of the CP server.
CFG {fencing_cps_ports}	The port that the virtual IP address or the fully qualified host name of the CP server listens on.
CFG {fencing_scsi3_disk_policy}	The disk policy that the customized fencing uses. The value for this field is either "raw" or "dmp"

## Sample response file for configuring server-based I/O fencing

The following is a sample response file used for server-based I/O fencing:

```
$CFG{fencing_config_cpagent}=0;
$CFG{fencing_cps}=[ qw(10.200.117.145) ];
$CFG{fencing_cps_vips}{"10.200.117.145"}=[ qw(10.200.117.145) ];
$CFG{fencing_dgname}="vxfencoorddg";
$CFG{fencing_disks}=[ qw(emc_clariion0_37 emc_clariion0_13) ];
$CFG{fencing_scsi3_disk_policy}="raw";
$CFG{fencing_ncp}=3;
$CFG{fencing_ndisks}=2;
$CFG{fencing_cps_ports}{"10.200.117.145"}=14250;
$CFG{fencing_reusedg}=1;
$CFG{opt}{configure}=1;
$CFG{opt}{fencing}=1;
$CFG{prod}="SFCFSHA60";
$CFG{systems}=[ qw(sys1 sys2) ];
$CFG{vcs_clusterid}=1256;
```

```
$CFG{vcs_clustername}="clus1";
$CFG{fencing_option}=1;
```

## Response file variables to configure non-SCSI-3 server-based I/O fencing

Table 14-4 lists the fields in the response file that are relevant for non-SCSI-3 server-based customized I/O fencing.

See [“About I/O fencing for Storage Foundation Cluster File System High Availability in virtual machines that do not support SCSI-3 PR”](#) on page 26.

**Table 14-4** Non-SCSI-3 server-based I/O fencing response file definitions

Response file field	Definition
CFG{non_scsi3_fencing}	Defines whether to configure non-SCSI-3 server-based I/O fencing.  Valid values are 1 or 0. Enter 1 to configure non-SCSI-3 server-based I/O fencing.
CFG {fencing_config_cpagent}	Enter '1' or '0' depending upon whether you want to configure the Coordination Point agent using the installer or not.  Enter "0" if you do not want to configure the Coordination Point agent using the installer.  Enter "1" if you want to use the installer to configure the Coordination Point agent.
CFG {fencing_cpagentgrp}	Name of the service group which will have the Coordination Point agent resource as part of it.  <b>Note:</b> This field is obsolete if the <code>fencing_config_cpagent</code> field is given a value of '0'.
CFG {fencing_cps}	Virtual IP address or Virtual hostname of the CP servers.
CFG {fencing_cps_vips}	The virtual IP addresses or the fully qualified host names of the CP server.
CFG {fencing_ncp}	Total number of coordination points (CP servers only) being used.
CFG {fencing_cps_ports}	The port of the CP server that is denoted by <code>cps</code> .

## Sample response file for configuring non-SCSI-3 server-based I/O fencing

The following is a sample response file used for non-SCSI-3 server-based I/O fencing :

```
$CFG{fencing_config_cpagent}=0;
$CFG{fencing_cps}=[ qw(10.198.89.251 10.198.89.252 10.198.89.253) ];
$CFG{fencing_cps_vips}{"10.198.89.251"}=[ qw(10.198.89.251) ];
$CFG{fencing_cps_vips}{"10.198.89.252"}=[ qw(10.198.89.252) ];
$CFG{fencing_cps_vips}{"10.198.89.253"}=[ qw(10.198.89.253) ];
$CFG{fencing_ncp}=3;
$CFG{fencing_ndisks}=0;
$CFG{fencing_cps_ports}{"10.198.89.251"}=14250;
$CFG{fencing_cps_ports}{"10.198.89.252"}=14250;
$CFG{fencing_cps_ports}{"10.198.89.253"}=14250;
$CFG{non_scsi3_fencing}=1;
$CFG{opt}{configure}=1;
$CFG{opt}{fencing}=1;
$CFG{prod}="SFCFSHA60";
$CFG{systems}=[ qw(sys1 sys2) ];
$CFG{vcs_clusterid}=1256;
$CFG{vcs_clustername}="clus1";
$CFG{fencing_option}=1;
```

# Installation using operating system-specific methods

- [Chapter 15. Installing SFCFSHA using operating system-specific methods](#)
- [Chapter 16. Configuring SFCFSHA using operating system-specific methods](#)
- [Chapter 17. Manually configuring SFCFSHA clusters for data integrity](#)

# Installing SFCFSHA using operating system-specific methods

This chapter includes the following topics:

- [Installing SFCFSHA using Kickstart](#)
- [Sample Kickstart configuration file](#)
- [Installing Veritas Storage Foundation Cluster File System High Availability using yum](#)

## Installing SFCFSHA using Kickstart

You can install SFCFSHA using Kickstart. Kickstart is supported for Red Hat Enterprise Linux 5 (RHEL5) and Red Hat Enterprise Linux 6 (RHEL6).

**To install SFCFSHA using Kickstart**

- 1 Create a directory for the Kickstart configuration files.

```
# mkdir /kickstart_files/
```

- 2 Generate the Kickstart configuration files. The configuration files have the extension `.ks`. Do one of the following:

- To generate configuration files, enter the following command:

```
# ./installer -kickstart /kickstart_files/
```

The system lists the files.

- To only generate the configuration file for SFCFSHA, enter the following command:

```
# ./installsfcfsha -kickstart /kickstart_files/
```

The command output includes the following:

```
The kickstart script for SFCFSHA is generated at  
/kickstart_files/kickstart_sfcfs601.ks
```

- 3 Setup an NFS exported location which the Kickstart client can access. For example, if `/nfs_mount_kickstart` is the directory which has been NFS exported, the NFS exported location may look similar to the following:

```
# cat /etc/exports  
/nfs_mount_kickstart * (rw, sync, no_root_squash)
```

- 4 Copy the `rpms` directory from the installation media to the NFS location.
- 5 Verify the contents of the directory.

```
# ls /nfs_mount_kickstart/
```

- 6 In the SFCFSHA Kickstart configuration file, modify the `BUILDSRC` variable to point to the actual NFS location. The variable has the following format:

```
BUILDSRC="hostname_or_ip:/nfs_mount_kickstart"
```

- 7 Append the entire modified contents of the Kickstart configuration file to the operating system `ks.cfg` file.
- 8 Launch the Kickstart installation for the operating system.
- 9 After the operating system installation is complete, check the file `/var/tmp/kickstart.log` for any errors related to the installation of Veritas RPMs and Veritas product installer scripts.
- 10 Verify that all the product RPMs have been installed. Enter the following command:

```
# rpm -qa | grep -i vrts
```



- 11 If you do not find any installation issues or errors, configure the product stack. Enter the following command:

```
# /opt/VRTS/install/installsfcfsa<version> -configure node1 node2
```

Where *<version>* is the specific release version.

See [“About the Veritas installer”](#) on page 42.

- 12 Verify that all the configured Ilt links and gab ports have started. Enter the following:

```
# gabconfig -a
GAB Port Memberships
=====
Port a gen    b66f01 membership 01
Port b gen    b66f03 membership 01
Port d gen    b66f07 membership 01
Port f gen    b66f0d membership 01
Port h gen    b66f05 membership 01
Port v gen    b66f09 membership 01
Port u gen    b66f08 membership 01
Port w gen    b66f0b membership 01
Port y gen    b66f0c membership 01
```

- 13 Verify that the product is configured properly. Enter the following:

```
# hastatus -summ
-- SYSTEM STATE
-- System                State                Frozen

A  swlx13                 RUNNING              0
A  swlx14                 RUNNING              0

-- GROUP STATE
-- Group                 System              Probed              AutoDisabled        State

B  cvm                   swlx13              Y                   N                   ONLINE
B  cvm                   swlx14              Y                   N                   ONLINE
```

Note that the cvm service group comes online when the SFCFSHA stack is configured.

- 14 Verify that the ODM RPM is installed and determine which mode it is running in.

For example, in the case of the SFCFSHA stack, the ODM cluster status is shown as `enabled exclusive`.

- 15 If you configure the node in a secured mode, verify the VxSS service group status. For example:

```
# hasclus -value SecureClus
1
```

## Sample Kickstart configuration file

The following is a sample RedHat Enterprise Linux 5 (RHEL5) Kickstart configuration file.

```
# The packages below are required and will be installed from OS installation media
# automatically during the automated installation of products in the DVD, if they have not
# been installed yet.
```

```
%packages
libattr.i386
libacl.i386
```

```
%post --nochroot
# Add necessary scripts or commands here to your need
# This generated kickstart file is only for the automated installation of products in the
# DVD
```

```
PATH=$PATH:/sbin:/usr/sbin:/bin:/usr/bin
export PATH
```

```
#
# Notice:
# * Modify the BUILDSRC below according to your real environment
# * The location specified with BUILDSRC should be NFS accessible
#   to the Kickstart Server
# * Copy the whole directories of rpms from installation media
#   to the BUILDSRC
#
```

```
BUILDSRC="<<hostname_or_ip>:/path/to/rpms"
```

```
#
# Notice:
# * You do not have to change the following scripts.
#

# Define path variables.
ROOT=/mnt/sysimage
BUILDDIR="${ROOT}/build"
RPMDIR="${BUILDDIR}/rpms"

# define log path
KSLOG="${ROOT}/var/tmp/kickstart.log"

echo "==== Executing kickstart post section: =====" >> ${KSLOG}

mkdir -p ${BUILDDIR}
mount -t nfs -o nolock,vers=3 ${BUILDSRC} ${BUILDDIR} >> ${KSLOG} 2>&1

# Install the RPMs in the following order.
for RPM in VRTSperl VRTSvlic VRTSsfcpi601 VRTSspt VRTSvxxvm VRTSaslapm
VRTSob VRTSslmconv VRTSsfmh VRTSvxfv VRTSfsadv VRTSfssdk VRTSllt
VRTSgab VRTSvxfen VRTSamf VRTSvcs VRTScps VRTSvcsag VRTSvcsdr
VRTSvcsea VRTSvbs VRTSdbed VRTSglm VRTScavf VRTSgms VRTSodm

do
    echo "Installing package -- $RPM" >> ${KSLOG}
    rpm -U -v --root ${ROOT} ${RPMDIR}/${RPM}-* >> ${KSLOG} 2>&1
done

umount ${BUILDDIR}

CALLED_BY=KICKSTART ${ROOT}/opt/VRTS/install/bin/UXRT601/add_install_scripts >> ${KSLOG} 2>&1

exit 0
```

# Installing Veritas Storage Foundation Cluster File System High Availability using yum

You can install SFCFSHA using yum. yum is supported for Red Hat Enterprise Linux 5 and Red Hat Enterprise Linux 6.

## To install SFCFSHA using yum

- 1 Run the `installsfcfsha -pkginfo` command to get SFCFSHA RPMs.

```
# ./installsfcfsha -pkginfo
```

- 2 Add the SFCFSHA RPMs into the yum repository. You can add SFCFSHA RPMs into either a new repository or an existing repository with other RPMs. Use the `createrepo` command to create or update the repository. The operating system RPM `createrepo-ver-rel.noarch.rpm` provides the command.

- **To create the new repository `/path/to/new/repository/` for SFCFSHA RPMs**

1. Create an empty directory, for example: `/path/to/new/repository`. The yum client systems should be able to access the directory with the HTTP, FTP, or file protocols.

```
# rm -rf /path/to/new/repository
# mkdir -p /path/to/new/repository
```

2. Copy all the SFCFSHA RPMs into `/path/to/new/repository/`.

```
# cp -f VRTSvlic-* VRTSperl-* ... VRTSsfcp601-* \
/path/to/new/repository
```

3. Use the `createrepo` command to create the repository.

```
# /usr/bin/createrepo /path/to/new/repository
```

Output resembles:

```
27/27 - VRTSsfcp601-6.0.100.000-GA_GENERIC.noarch.rpm
Saving Primary metadata
Saving file lists metadata
Saving other metadata
```

4. The metadata for this repository is created in `/path/to/new/repository/repodata`.

- **To use an existing repository in */path/to/existing/repository/* for SFCFSHA RPMs**

1. Copy all the SFCFSHA RPMs into */path/to/existing/repository/*. The yum client systems should be able to access the directory with the HTTP, FTP, or file protocols.

```
# cp -f VRTSvlic-* VRTSperl-* ... VRTSsfcp601-*\  
/path/to/existing/repository
```

2. Use the `createrepo` command with the `--update` option to update the repository's metadata.

```
# createrepo --update /path/to/existing/repository
```

Output resembles:

```
27/27 * VRTSsfcp601-6.0.100.000-GA_GENERIC.noarch.rpm  
Saving Primary metadata  
Saving file lists metadata  
Saving other metadata
```

3. The metadata in */path/to/existing/repository/repodata* is updated for the newly added RPMs.

- **To create a package group for SFCFSHA RPMs when the repository is created or updated (optional)**

1. Create an XML file, which you can name `SFCFSHA_group.xml` in the repository directory. In the file specify the name, the id, the RPM list, and other information for the group. You can generate this XML file using the installer with the option `-yumgroupxml`. An example of this XML file for SFCFSHA is:

```
# cat SFCFSHA_group.xml
<comps>
  <group>
    <id>SFCFSHA601</id>
    <name>SFCFSHA601</name>
    <default>true</default>
    <description>RPMs of SFCFSHA 6.01</description>
    <uservisibile>true</uservisibile>
    <packagelist>
      <packagereq type="default">VRTSvlic</packagereq>
      <packagereq type="default">VRTSperl</packagereq>
      ... [other RPMs for SFCFSHA]
      <packagereq type="default">VRTSsfcp601</packagereq>
    </packagelist>
  </group>
</comps>
```

2. Create the group when the repository is created or updated.

```
# createrepo -g SFCFSHA_group.xml /path/to/new/repository/
```

Or

```
# createrepo -g SFCFSHA_group.xml --update /path/to/existing\
/repository/
```

Refer to the *Red Hat Enterprise Linux Deployment Guide* for more information on yum repository configuration.

3. Configure a yum repository on a client system.

- Create a `.repo` file under `/etc/yum.repos.d/`. An example of this `.repo` file for SFCFSHA is:

```
# cat /etc/yum.repos.d/SFCFSHA.repo
[repo-SFCFSHA]
name=Repository for SFCFSHA
baseurl=file:///path/to/repository/
enabled=1
gpgcheck=0
```

The values for the `baseurl` attribute can start with `http://`, `ftp://`, or `file://`. The URL you choose needs to be able to access the `repodata` directory. It also needs to access all the SFCFSHA RPMs in the repository that you create or update.

- Check the yum configuration. List SFCFSHA RPMs.

```
# yum list 'VRTS*'
Available Packages
VRTSperl.x86_64          5.14.2.6-RHEL5.2      repo-SFCFSHA
VRTSsfcp601.noarch     6.0.100.000-GA_GENERIC  repo-SFCFSHA
VRTSvlic.x86_64        3.02.61.003-0         repo-SFCFSHA
...
```

The SFCFSHA RPMs may not be visible immediately if:

- the repository was visited before the SFCFSHA RPMs were added, and
- the local cache of its metadata has not expired.

To eliminate the local cache of the repositories' metadata and get the latest information from the specified `baseurl`, run the following commands:

```
# yum clean expire-cache
# yum list 'VRTS*'
```

Refer to the *Red Hat Enterprise Linux Deployment Guide* for more information on yum repository configuration.

#### 4 Install the RPMs on the target systems.

- **To install all the RPMs**

1. Specify each RPM name as its yum equivalent. For example:

```
# yum install VRTSvlic VRTSperl ... VRTSsfcp601
```

2. Specify all of the SFCFSHA RPMs using its package glob. For example:

```
# yum install 'VRTS*'
```

3. Specify the group name if a group is configured for SFCFSHA's RPMs. In this example, the group name is `SFCFSHA601`:

```
# yum install @SFCFSHA601
```

Or

```
# yum groupinstall SFCFSHA601
```

■ **To install one RPM at a time**

1. Run the `installsfcfsha -pkginfo` command to determine package installation order.

```
# ./installsfcfsha -pkginfo
```

The following Veritas Storage Foundation RPMs must be installed in the specified order to achieve full functionality. The RPMs listed are all the RPMs offered by the Veritas Storage Foundation product.

```
RPMs: VRTSperl VRTSvlic VRTSspt VRTSvxvm VRTSaslapm VRTSob  
VRTSsvmconv VRTSvxfs VRTSfsadv VRTSfssdk VRTSdbed VRTSodm  
VRTSsfmh VRTSsfcp1601
```

The following Veritas Storage Foundation RPMs must be installed in the specified order to achieve recommended functionality. The s listed are the recommended s for Veritas Storage Foundation offering basic and some advanced functionality for the product.

```
RPMs: VRTSperl VRTSvlic VRTSspt VRTSvxvm VRTSaslapm VRTSob  
VRTSvxfs VRTSfsadv VRTSdbed VRTSodm VRTSsfmh VRTSsfcp1601
```

The following Veritas Storage Foundation RPMs must be installed in the specified order to achieve basic functionality. The RPMs listed provide minimum footprint of the Veritas Storage Foundation product.

```
RPMs: VRTSperl VRTSvlic VRTSvxvm VRTSaslapm VRTSvxfs  
VRTSfsadv VRTSsfcp1601
```



2. Use the same order as the output from the `installsfcfsha -pkginfo` command:

```
# yum install VRTSperl
# yum install VRTSvlic
...
# yum install VRTSsfcp601
```

- 5 After you install all the RPMs, use the `/opt/VRTS/install/installsfcfsha<version>` script to license, configure, and start the product.

Where `<version>` is the specific release version.

See [“About the Veritas installer”](#) on page 42.

If the VRTSsfcp601 RPM is installed before you use yum to install SFCFSHA, this RPM is not upgraded or uninstalled. If the

`/opt/VRTS/install/installsfcfsha<release_version>` script is not created properly, use the `/opt/VRTS/install/bin/UXRT601/add_install_scripts` script to create the `installsfcfsha` or `uninstallsfcfsha` scripts after all the other SFCFSHA RPMs are installed. For example, your output may be similar to the following, depending on the products you install:

```
# /opt/VRTS/install/bin/UXRT601/add_install_scripts
Creating install/uninstall scripts for installed products
Creating /opt/VRTS/install/installdmp601 for UXRT601
Creating /opt/VRTS/install/uninstalldmp601 for UXRT601
Creating /opt/VRTS/install/installfs601 for UXRT601
Creating /opt/VRTS/install/uninstallfs601 for UXRT601
Creating /opt/VRTS/install/installsf601 for UXRT601
Creating /opt/VRTS/install/uninstallsf601 for UXRT601
Creating /opt/VRTS/install/installvm601 for UXRT601
Creating /opt/VRTS/install/uninstallvm601 for UXRT601
```

# Configuring SFCFSHA using operating system-specific methods

This chapter includes the following topics:

- [Configuring Veritas Storage Foundation Cluster File System High Availability manually](#)

## Configuring Veritas Storage Foundation Cluster File System High Availability manually

You can manually configure different products within Veritas Storage Foundation Cluster File System High Availability.

### Configuring Veritas Volume Manager

Use the following procedures to configure Veritas Volume Manager. If you have installed and configured VxVM using the product installer, you do not need to complete the procedures in this section.

For information on setting up VxVM disk groups and volumes after installation, see "Configuring Veritas Volume Manager" in the *Veritas Storage Foundation Administrator's Guide*.

### Configuring Veritas File System

After installing Veritas File System, you can create a file system on a disk slice or Veritas Volume Manager volume with the `mkfs` command. Before you can use this

file system, you must mount it with the `mount` command. You can unmount the file system later with the `umount` command. A file system can be automatically mounted at system boot time if you add an entry for it in the following file:

```
/etc/fstab
```

The Veritas-specific commands are described in the Storage Foundation guides and online manual pages.

See the *Veritas Storage Foundation Administrator's Guide*.

## Loading and unloading the file system module

The `vxfs` file system module automatically loads on the first reference to a VxFS file system; this occurs when a user tries to mount a VxFS file system.

In some instances, you may find it efficient to load the file system module manually. For example, some larger class systems can have many dual interface I/O cards with multiple disk chains attached. The device interrogation process when such a system is rebooted can be very time consuming, so to avoid doing a reboot, use the `modprobe` command to load the `vxfs` module:

```
# modprobe vxfs ; modprobe vxportal ; modprobe fdd
```

Do not use the `insmod` command to load the `vxfs` module as `insmod` does not examine the module configuration file `/etc/modprobe.conf`.

To determine if the modules successfully loaded, use the `lsmod` command as shown here:

```
# lsmod | grep vxportal
vxportal          2952                0
vxfs              3427960             0    fdd vxportal
# lsmod | grep fdd
fdd               67212               0    (unused)
vxfs              3427960             0    [fdd vxportal]
# lsmod | grep vxfs
vxfs              3427960             0    [fdd vxportal]
```

The first field in the output is the module name. You can unload the modules by entering:

```
# rmmod fdd
# rmmod vxportal
# rmmod vxfs
```

The `rmmobd` command fails if there are any mounted VxFS file systems. To determine if any VxFS file systems are mounted, enter:

```
# df -T | grep vxfs
```

# Manually configuring SFCFSHA clusters for data integrity

This chapter includes the following topics:

- [Setting up disk-based I/O fencing manually](#)
- [Setting up server-based I/O fencing manually](#)
- [Setting up non-SCSI-3 fencing in virtual environments manually](#)

## Setting up disk-based I/O fencing manually

[Table 17-1](#) lists the tasks that are involved in setting up I/O fencing.

**Table 17-1** Tasks to set up I/O fencing manually

Task	Reference
Initializing disks as VxVM disks	See <a href="#">“Initializing disks as VxVM disks”</a> on page 119.
Identifying disks to use as coordinator disks	See <a href="#">“Identifying disks to use as coordinator disks”</a> on page 206.
Checking shared disks for I/O fencing	See <a href="#">“Checking shared disks for I/O fencing”</a> on page 120.
Setting up coordinator disk groups	See <a href="#">“Setting up coordinator disk groups”</a> on page 206.

**Table 17-1** Tasks to set up I/O fencing manually (*continued*)

Task	Reference
Creating I/O fencing configuration files	See <a href="#">“Creating I/O fencing configuration files”</a> on page 207.
Modifying Storage Foundation Cluster File System High Availability configuration to use I/O fencing	See <a href="#">“Modifying VCS configuration to use I/O fencing”</a> on page 208.
Configuring CoordPoint agent to monitor coordination points	See <a href="#">“Configuring CoordPoint agent to monitor coordination points”</a> on page 220.
Verifying I/O fencing configuration	See <a href="#">“Verifying I/O fencing configuration”</a> on page 210.

## Identifying disks to use as coordinator disks

Make sure you initialized disks as VxVM disks.

See [“Initializing disks as VxVM disks”](#) on page 119.

Review the following procedure to identify disks to use as coordinator disks.

### To identify the coordinator disks

- 1 List the disks on each node.

For example, execute the following commands to list the disks:

```
# vxdisk -o alldgs list
```

- 2 Pick three SCSI-3 PR compliant shared disks as coordinator disks.

See [“Checking shared disks for I/O fencing”](#) on page 120.

## Setting up coordinator disk groups

From one node, create a disk group named `vxfencoordg`. This group must contain three disks or LUNs. You must also set the coordinator attribute for the coordinator disk group. VxVM uses this attribute to prevent the reassignment of coordinator disks to other disk groups.

Note that if you create a coordinator disk group as a regular disk group, you can turn on the coordinator attribute in Volume Manager.

Refer to the *Veritas Storage Foundation Administrator’s Guide* for details on how to create disk groups.

The following example procedure assumes that the disks have the device names `sdx`, `sdz`, and `sdz`.

#### To create the `vx fenceoordg` disk group

- 1 On any node, create the disk group by specifying the device names:

```
# vx dg init vx fenceoordg sdx sdy sdz
```

- 2 Set the coordinator attribute value as "on" for the coordinator disk group.

```
# vx dg -g vx fenceoordg set coordinator=on
```

- 3 Deport the coordinator disk group:

```
# vx dg deport vx fenceoordg
```

- 4 Import the disk group with the `-t` option to avoid automatically importing it when the nodes restart:

```
# vx dg -t import vx fenceoordg
```

- 5 Deport the disk group. Deporting the disk group prevents the coordinator disks from serving other purposes:

```
# vx dg deport vx fenceoordg
```

## Creating I/O fencing configuration files

After you set up the coordinator disk group, you must do the following to configure I/O fencing:

- Create the I/O fencing configuration file `/etc/vxfendg`
- Update the I/O fencing configuration file `/etc/vxfenmode`

#### To update the I/O fencing files and start I/O fencing

- 1 On each nodes, type:

```
# echo "vx fenceoordg" > /etc/vxfendg
```

Do not use spaces between the quotes in the "vx fenceoordg" text.

This command creates the `/etc/vxfendg` file, which includes the name of the coordinator disk group.

- 2 On all cluster nodes depending on the SCSI-3 mechanism, type one of the following selections:

- For DMP configuration:

```
# cp /etc/vxfen.d/vxfenmode_scsi3_dmp /etc/vxfenmode
```
  - For raw device configuration:

```
# cp /etc/vxfen.d/vxfenmode_scsi3_raw /etc/vxfenmode
```
- 3 To check the updated `/etc/vxfenmode` configuration, enter the following command on one of the nodes. For example:

```
# more /etc/vxfenmode
```
  - 4 Ensure that you edit the following file on each node in the cluster to change the values of the `VXFEN_START` and the `VXFEN_STOP` environment variables to 1:

```
/etc/sysconfig/vxfen
```

## Modifying VCS configuration to use I/O fencing

After you add coordination points and configure I/O fencing, add the `UseFence = SCSI3` cluster attribute to the VCS configuration file `/etc/VRTSvcs/conf/config/main.cf`.

If you reset this attribute to `UseFence = None`, VCS does not make use of I/O fencing abilities while failing over service groups. However, I/O fencing needs to be disabled separately.

### To modify VCS configuration to enable I/O fencing

- 1 Save the existing configuration:

```
# haconf -dump -makero
```
- 2 Stop VCS on all nodes:

```
# hastop -all
```
- 3 To ensure High Availability has stopped cleanly, run `gabconfig -a`.  
In the output of the commands, check that Port h is not present.
- 4 If the I/O fencing driver `vxfen` is already running, stop the I/O fencing driver.

```
# /etc/init.d/vxfen stop
```



- 5 Make a backup copy of the main.cf file:

```
# cd /etc/VRTSvcs/conf/config
# cp main.cf main.orig
```

- 6 On one node, use vi or another text editor to edit the main.cf file. To modify the list of cluster attributes, add the UseFence attribute and assign its value as SCSI3.

```
cluster clus1(
  UserNames = { admin = "cDRpdxPmHpzS." }
  Administrators = { admin }
  HacliUserLevel = COMMANDROOT
  CounterInterval = 5
  UseFence = SCSI3
)
```

Regardless of whether the fencing configuration is disk-based or server-based, the value of the cluster-level attribute UseFence is set to SCSI3.

- 7 Save and close the file.
- 8 Verify the syntax of the file /etc/VRTSvcs/conf/config/main.cf:

```
# hacf -verify /etc/VRTSvcs/conf/config
```

- 9 Using rcp or another utility, copy the VCS configuration file from a node (for example, sys1) to the remaining cluster nodes.

For example, on each remaining node, enter:

```
# rcp sys1:/etc/VRTSvcs/conf/config/main.cf \
/etc/VRTSvcs/conf/config
```

- 10 Start the I/O fencing driver and VCS. Perform the following steps on each node:

- Start the I/O fencing driver.  
The vxfen startup script also invokes the vxfenconfig command, which configures the vxfen driver to start and use the coordination points that are listed in /etc/vxfentab.

```
# /etc/init.d/vxfen start
```

- Start VCS.

```
# /opt/VRTS/bin/hastart
```

## Verifying I/O fencing configuration

Verify from the `vxfenadm` output that the SCSI-3 disk policy reflects the configuration in the `/etc/vxfenmode` file.

### To verify I/O fencing configuration

- 1 On one of the nodes, type:

```
# vxfenadm -d
```

Output similar to the following appears if the fencing mode is SCSI3 and the SCSI3 disk policy is dmp:

```
I/O Fencing Cluster Information:
=====
```

```
Fencing Protocol Version: 201
Fencing Mode: SCSI3
Fencing SCSI3 Disk Policy: dmp
Cluster Members:
```

```
* 0 (sys1)
  1 (sys2)
```

```
RFSM State Information:
  node 0 in state 8 (running)
  node 1 in state 8 (running)
```

- 2 Verify that the disk-based I/O fencing is using the specified disks.

```
# vxfenconfig -l
```

## Setting up server-based I/O fencing manually

Tasks that are involved in setting up server-based I/O fencing manually include:

**Table 17-2** Tasks to set up server-based I/O fencing manually

Task	Reference
Preparing the CP servers for use by the Storage Foundation Cluster File System High Availability cluster	See <a href="#">“Preparing the CP servers manually for use by the SFCFSHA cluster”</a> on page 211.

**Table 17-2** Tasks to set up server-based I/O fencing manually (*continued*)

Task	Reference
Modifying I/O fencing configuration files to configure server-based I/O fencing	See <a href="#">"Configuring server-based fencing on the SFCFSHA cluster manually"</a> on page 214.
Modifying Storage Foundation Cluster File System High Availability configuration to use I/O fencing	See <a href="#">"Modifying VCS configuration to use I/O fencing"</a> on page 208.
Configuring Coordination Point agent to monitor coordination points	See <a href="#">"Configuring CoordPoint agent to monitor coordination points"</a> on page 220.
Verifying the server-based I/O fencing configuration	See <a href="#">"Verifying server-based I/O fencing configuration"</a> on page 222.

## Preparing the CP servers manually for use by the SFCFSHA cluster

Use this procedure to manually prepare the CP server for use by the SFCFSHA cluster or clusters.

[Table 17-3](#) displays the sample values used in this procedure.

**Table 17-3** Sample values in procedure

CP server configuration component	Sample name
CP server	cps1
Node #1 - SFCFSHA cluster	sys1
Node #2 - SFCFSHA cluster	sys2
Cluster name	clus1
Cluster UUID	{f0735332-1dd1-11b2}

**To manually configure CP servers for use by the SFCFSHA cluster**

- 1 Determine the cluster name and uuid on the SFCFSHA cluster.

For example, issue the following commands on one of the SFCFSHA cluster nodes (sys1):

```
# grep cluster /etc/VRTSvcs/conf/config/main.cf

cluster clus1

# cat /etc/vx/.uuids/clusuuid

{f0735332-1dd1-11b2-bb31-00306eea460a}
```

- 2 Use the `cpsadm` command to check whether the SFCFSHA cluster and nodes are present in the CP server.

For example:

```
# cpsadm -s cps1.symantecexample.com -a list_nodes
```

ClusName	UUID	Hostname(Node ID)	Registered
clus1	{f0735332-1dd1-11b2-bb31-00306eea460a}	sys1(0)	0
clus1	{f0735332-1dd1-11b2-bb31-00306eea460a}	sys2(1)	0

If the output does not show the cluster and nodes, then add them as described in the next step.

For detailed information about the `cpsadm` command, see the *Veritas Storage Foundation Cluster File System High Availability Administrator's Guide*.

### 3 Add the SFCFSHA cluster and nodes to each CP server.

For example, issue the following command on the CP server (cps1.symantecexample.com) to add the cluster:

```
# cpsadm -s cps1.symantecexample.com -a add_clus\  
-c clus1 -u {f0735332-1dd1-11b2}
```

```
Cluster clus1 added successfully
```

Issue the following command on the CP server (cps1.symantecexample.com) to add the first node:

```
# cpsadm -s cps1.symantecexample.com -a add_node\  
-c clus1 -u {f0735332-1dd1-11b2} -h sys1 -n0
```

```
Node 0 (sys1) successfully added
```

Issue the following command on the CP server (cps1.symantecexample.com) to add the second node:

```
# cpsadm -s cps1.symantecexample.com -a add_node\  
-c clus1 -u {f0735332-1dd1-11b2} -h sys2 -n1
```

```
Node 1 (sys2) successfully added
```

### 4 If security is to be enabled, check whether the CPSADM@VCS\_SERVICES@cluster\_uuid users are created in the CP server.

If the output below does not show the users, then add them as described in the next step.

```
# cpsadm -s cps1.symantecexample.com -a list_users
```

Username/Domain	Type	Cluster Name / UUID	Role
CPSADM@VCS_SERVICES@f0735332-1dd1-11b2/vx		clus1/{f0735332-1dd1-11b2}	Operator

If security is to be disabled, then add the user name "cpsclient@hostname" to the server instead of the CPSADM@VCS\_SERVICES@cluster\_uuid (for example, cpsclient@sys1).

The CP server can only run in either secure mode or non-secure mode, both connections are not accepted at the same time.

## 5 Add the users to the CP server.

Issue the following commands on the CP server (cps1.symantecexample.com):

```
# cpsadm -s cps1.symantecexample.com -a add_user -e\  
CPSADM@VCS_SERVICES@cluster_uid\  
-f cps_operator -g vx
```

```
User CPSADM@VCS_SERVICES@cluster_uid  
successfully added
```

## 6 Authorize the CP server user to administer the SFCFSHA cluster. You must perform this task for the CP server users corresponding to each node in the SFCFSHA cluster.

For example, issue the following command on the CP server (cps1.symantecexample.com) for SFCFSHA cluster clus1 with two nodes sys1 and sys2:

```
# cpsadm -s cps1.symantecexample.com -a\  
add_clus_to_user -c clus1\  
-u {f0735332-1dd1-11b2}\  
-e CPSADM@VCS_SERVICES@cluster_uid\  
-f cps_operator -g vx
```

```
Cluster successfully added to user  
CPSADM@VCS_SERVICES@cluster_uid privileges.
```

# Configuring server-based fencing on the SFCFSHA cluster manually

The configuration process for the client or SFCFSHA cluster to use CP server as a coordination point requires editing the `/etc/vxfenmode` file.

You need to edit this file to specify the following information for your configuration:

- Fencing mode
- Fencing mechanism
- Fencing disk policy (if applicable to your I/O fencing configuration)
- Appropriate value for the security configuration
- CP server or CP servers
- Coordinator disk group (if applicable to your I/O fencing configuration)

---

**Note:** Whenever coordinator disks are used as coordination points in your I/O fencing configuration, you must create a disk group (vxencoordg). You must specify this disk group in the `/etc/vxfenmode` file.

See [“Setting up coordinator disk groups”](#) on page 206.

---

The customized fencing framework also generates the `/etc/vxfentab` file which has security setting and the coordination points (all the CP servers and disks from disk group specified in `/etc/vxfenmode` file).

### To configure server-based fencing on the SFCFSHA cluster manually

- 1 Use a text editor to edit the following file on each node in the cluster:

```
/etc/sysconfig/vxfen
```

You must change the values of the `VXFEN_START` and the `VXFEN_STOP` environment variables to 1.

- 2 Use a text editor to edit the `/etc/vxfenmode` file values to meet your configuration specifications.

If your server-based fencing configuration uses a single highly available CP server as its only coordination point, make sure to add the `single_cp=1` entry in the `/etc/vxfenmode` file.

The following sample file output displays what the `/etc/vxfenmode` file contains:

See [“Sample vxfenmode file output for server-based fencing”](#) on page 215.

- 3 After editing the `/etc/vxfenmode` file, run the `vxfen` init script to start fencing.

For example:

```
# /etc/init.d/vxfen start
```

- 4 Make sure that `/etc/vxfenmode` file contains the value of security is set to 1.

Make sure that following command displays the certificate being used by `cpsadm` client,

```
EAT_DATA_DIR=/vat/VRTSvc/vcsauth/data/CPSADM cpsat showcred
```

### Sample vxfenmode file output for server-based fencing

The following is a sample `vxfenmode` file for server-based fencing:

```
#  
# vxfen_mode determines in what mode VCS I/O Fencing should work.  
#
```

```
# available options:
# scsi3      - use scsi3 persistent reservation disks
# customized - use script based customized fencing
# disabled   - run the driver but don't do any actual fencing
#
vxfen_mode=customized

# vxfen_mechanism determines the mechanism for customized I/O
# fencing that should be used.
#
# available options:
# cps        - use a coordination point server with optional script
#              controlled scsi3 disks
# security - 1
# security - 0

vxfen_mechanism=cps

#
# scsi3_disk_policy determines the way in which I/O Fencing
# communicates with the coordination disks. This field is
# required only if customized coordinator disks are being used.
#
# available options:
# dmp - use dynamic multipathing
# raw - connect to disks using the native interface
#
scsi3_disk_policy=dmp

# security when enabled uses secure communication to the cp server
# using VxAT (Veritas Authentication Service)
# available options:
# 0 - don't use Veritas Authentication Service for cp server
#    communication
# 1 - use Veritas Authentication Service for cp server
#    communication
security=1

#
# Specify 3 or more odd number of coordination points in this file,
# one in its own line. They can be all-CP servers, all-SCSI-3
# compliant coordinator disks, or a combination of CP servers and
# SCSI-3 compliant coordinator disks. Please ensure that the CP
```



```
# server coordination points are numbered sequentially and in the
# same order on all the cluster nodes.
#
# Coordination Point Server(CPS) is specified as:
#
# cps<number>=[<vip/vhn>]:<port>
#
# If a CPS supports multiple virtual IPs or virtual hostnames over
# different subnets, all of the IPs/names can be specified in a
# comma separated list as follows:
#
# cps<number>=[<vip_1/vhn_1>]:<port_1>,[<vip_2/vhn_2>]:<port_2>,...,
# [<vip_n/vhn_n>]:<port_n>
#
# Where,
# <number>
# is the serial number of the CPS as a coordination point; must
# start with 1.
# <vip>
# is the virtual IP address of the CPS, must be specified in
# square brackets ("[]").
# <vhn>
# is the virtual hostname of the CPS, must be specified in square
# brackets ("[]").
# <port>
# is the port number bound to a particular <vip/vhn> of the CPS.
# It is optional to specify a <port>. However, if specified, it
# must follow a colon (":") after <vip/vhn>. If not specified, the
# colon (":") must not exist after <vip/vhn>.
#
# For all the <vip/vhn>s which do not have a specified <port>, a
# default port can be specified as follows:
#
# port=<default_port>
#
# Where <default_port> is applicable to all the <vip/vhn>s for
# which a <port> is not specified. In other words, specifying <port>
# with a <vip/vhn> overrides the <default_port> for that <vip/vhn>.
# If the <default_port> is not specified, and there are <vip/vhn>s for
# which <port> is not specified, then port number 14250 will be used
# for such <vip/vhn>s.
#
# Example of specifying CP Servers to be used as coordination points:
```

```
# port=57777
# cps1=[192.168.0.23],[192.168.0.24]:58888,[cps1.company.com]
# cps2=[192.168.0.25]
# cps3=[cps2.company.com]:59999
#
# In the above example,
# - port 58888 will be used for vip [192.168.0.24]
# - port 59999 will be used for vhn [cps2.company.com], and
# - default port 57777 will be used for all remaining <vip/vhn>s:
#   [192.168.0.23]
#   [cps1.company.com]
#   [192.168.0.25]
# - if default port 57777 were not specified, port 14250 would be used
#   for all remaining <vip/vhn>s:
#   [192.168.0.23]
#   [cps1.company.com]
#   [192.168.0.25]
#
# SCSI-3 compliant coordinator disks are specified as:
#
# vxfendg=<coordinator disk group name>
# Example:
# vxfendg=vxfencoordg
#
# Examples of different configurations:
# 1. All CP server coordination points
# cps1=
# cps2=
# cps3=
#
# 2. A combination of CP server and a disk group having two SCSI-3
# coordinator disks
# cps1=
# vxfendg=
# Note: The disk group specified in this case should have two disks
#
# 3. All SCSI-3 coordinator disks
# vxfendg=
# Note: The disk group specified in case should have three disks
#
```

[Table 17-4](#) defines the vxfenmode parameters that must be edited.

**Table 17-4** vxfenmode file parameters

vxfenmode File Parameter	Description
vxfen_mode	Fencing mode of operation. This parameter must be set to "customized".
vxfen_mechanism	Fencing mechanism. This parameter defines the mechanism that is used for fencing. If one of the three coordination points is a CP server, then this parameter must be set to "cps".
scsi3_disk_policy	Configure the vxfen module to use either DMP devices, "dmp" or the underlying raw character devices, "raw". <b>Note:</b> The configured disk policy is applied on all the nodes.
security	Security parameter 1 indicates that secure mode is used for CP server communications.  Security parameter 0 indicates that communication with the CP server is made in non-secure mode.  The default security value is 1.
fips_mode	[For future use] Set the value to 0.
cps1, cps2, or vxfendg	Coordination point parameters.  Enter either the virtual IP address or the FQHN (whichever is accessible) of the CP server.  <code>cps&lt;number&gt;=[virtual_ip_address/virtual_host_name]:port</code>  Where <i>port</i> is optional. The default port value is 14250.  If you have configured multiple virtual IP addresses or host names over different subnets, you can specify these as comma-separated values. For example:  <code>cps1=[192.168.0.23], [192.168.0.24]:58888, [cps1.company.com]</code>  <b>Note:</b> Whenever coordinator disks are used in an I/O fencing configuration, a disk group has to be created (vxfencoordg) and specified in the /etc/vxfenmode file. Additionally, the customized fencing framework also generates the /etc/vxfentab file which specifies the security setting and the coordination points (all the CP servers and the disks from disk group specified in /etc/vxfenmode file).

**Table 17-4** vxfenmode file parameters (*continued*)

vxfenmode File Parameter	Description
port	<p>Default port for the CP server to listen on.</p> <p>If you have not specified port numbers for individual virtual IP addresses or host names, the default port number value that the CP server uses for those individual virtual IP addresses or host names is 14250. You can change this default port value using the port parameter.</p>
single_cp	<p>Value 1 for single_cp parameter indicates that the server-based fencing uses a single highly available CP server as its only coordination point.</p> <p>Value 0 for single_cp parameter indicates that the server-based fencing uses at least three coordination points.</p>

## Configuring CoordPoint agent to monitor coordination points

The following procedure describes how to manually configure the CoordPoint agent to monitor coordination points.

The CoordPoint agent can monitor CP servers and SCSI-3 disks.

See the *Veritas Cluster Server Bundled Agents Reference Guide* for more information on the agent.

**To configure CoordPoint agent to monitor coordination points**

- 1 Ensure that your SFCFSHA cluster has been properly installed and configured with fencing enabled.
- 2 Create a parallel service group vxfen and add a coordpoint resource to the vxfen service group using the following commands:

```
# haconf -makerw
# hagr -add vxfen
# hagr -modify vxfen SystemList sys1 0 sys2 1
# hagr -modify vxfen AutoFailOver 0
# hagr -modify vxfen Parallel 1
# hagr -modify vxfen SourceFile "./main.cf"
# hares -add coordpoint CoordPoint vxfen
# hares -modify coordpoint FaultTolerance 0
# hares -override coordpoint LevelTwoMonitorFreq
# hares -modify coordpoint LevelTwoMonitorFreq 5
# hares -modify coordpoint Enabled 1
# haconf -dump -makero
```

- 3 Verify the status of the agent on the SFCFSHA cluster using the `hares` commands. For example:

```
# hares -state coordpoint
```

The following is an example of the command and output::

```
# hares -state coordpoint

# Resource      Attribute  System  Value
coordpoint     State     sys1    ONLINE
coordpoint     State     sys2    ONLINE
```

- 4 Access the engine log to view the agent log. The agent log is written to the engine log.

The agent log contains detailed CoordPoint agent monitoring information; including information about whether the CoordPoint agent is able to access all the coordination points, information to check on which coordination points the CoordPoint agent is reporting missing keys, etc.

To view the debug logs in the engine log, change the `dbg` level for that node using the following commands:

```
# haconf -makerw

# hatype -modify Coordpoint LogDbg 10

# haconf -dump -makero
```

The agent log can now be viewed at the following location:

```
/var/VRTSvcS/log/engine_A.log
```

## Verifying server-based I/O fencing configuration

Follow the procedure described below to verify your server-based I/O fencing configuration.

### To verify the server-based I/O fencing configuration

- 1 Verify that the I/O fencing configuration was successful by running the `vxfenadm` command. For example, run the following command:

```
# vxfenadm -d
```

---

**Note:** For troubleshooting any server-based I/O fencing configuration issues, refer to the *Veritas Storage Foundation Cluster File System High Availability Administrator's Guide*.

---

- 2 Verify that I/O fencing is using the specified coordination points by running the `vxfenconfig` command. For example, run the following command:

```
# vxfenconfig -l
```

If the output displays `single_cp=1`, it indicates that the application cluster uses a CP server as the single coordination point for server-based fencing.

## Setting up non-SCSI-3 fencing in virtual environments manually

### To manually set up I/O fencing in a non-SCSI-3 PR compliant setup

- 1 Configure I/O fencing in customized mode with only CP servers as coordination points.

See [“Setting up server-based I/O fencing manually”](#) on page 210.

- 2 Make sure that the Storage Foundation Cluster File System High Availability cluster is online and check that the fencing mode is customized.

```
# vxfenadm -d
```

- 3 Make sure that the cluster attribute `UseFence` is set to `SCSI3`.

```
# haclus -value UseFence
```

- 4 On each node, edit the `/etc/vxenviron` file as follows:

```
data_disk_fencing=off
```

- 5 On each node, edit the `/etc/sysconfig/vxfen` file as follows:

```
vxfen_vxind_tmt=25
```

- 6 On each node, edit the `/etc/vxfenmode` file as follows:

```
loser_exit_delay=55
vxfen_script_timeout=25
```

Refer to the sample `/etc/vxfenmode` file.

- 7 On each node, set the value of the LLT `sendhbcap` timer parameter value as follows:

- Run the following command:

```
lltconfig -T sendhbcap:3000
```

- Add the following line to the `/etc/llttab` file so that the changes remain persistent after any reboot:

```
set-timer senhbcap:3000
```

- 8 On any one node, edit the VCS configuration file as follows:

- Make the VCS configuration file writable:

```
# haconf -makerw
```

- For each resource of the type `DiskGroup`, set the value of the `MonitorReservation` attribute to 0 and the value of the `Reservation` attribute to `NONE`.

```
# hares -modify <dg_resource> MonitorReservation 0
```

```
# hares -modify <dg_resource> Reservation "NONE"
```

- Run the following command to verify the value:

```
# hares -list Type=DiskGroup MonitorReservation!=0
```

```
# hares -list Type=DiskGroup Reservation!="NONE"
```

The command should not list any resources.

- Modify the default value of the `Reservation` attribute at type-level.

```
# haattr -default DiskGroup Reservation "NONE"
```

- Make the VCS configuration file read-only

```
# haconf -dump -makero
```



- 9 Make sure that the UseFence attribute in the VCS configuration file main.cf is set to SCSI3.
- 10 To make these VxFEN changes take effect, stop and restart VxFEN and the dependent modules

- On each node, run the following command to stop VCS:

```
# /etc/init.d/vcs stop
```

- After VCS takes all services offline, run the following command to stop VxFEN:

```
# /etc/init.d/vxfen stop
```

- On each node, run the following commands to restart VxFEN and VCS:

```
# /etc/init.d/vxfen start
# /etc/init.d/vcs start
```

## Sample /etc/vxfenmode file for non-SCSI-3 fencing

```
=====
# vxfen_mode determines in what mode VCS I/O Fencing should work.
#
# available options:
# scsi3      - use scsi3 persistent reservation disks
# customized - use script based customized fencing
# disabled   - run the driver but don't do any actual fencing
#
vxfen_mode=customized

# vxfen_mechanism determines the mechanism for customized I/O
# fencing that should be used.
#
# available options:
# cps        - use a coordination point server with optional script
#              controlled scsi3 disks
#
vxfen_mechanism=cps

#
# scsi3_disk_policy determines the way in which I/O Fencing
# communicates with the coordination disks. This field is required
```

```

# only if customized coordinator disks are being used.
#
# available options:
# dmp - use dynamic multipathing
# raw - connect to disks using the native interface
#
# scsi3_disk_policy=dmp

#
# Seconds for which the winning sub cluster waits to allow for the
# losing subcluster to panic & drain I/Os. Useful in the absence of
# SCSI3 based data disk fencing
loser_exit_delay=55

#
# Seconds for which vxfsend process wait for a customized fencing
# script to complete. Only used with vxfsen_mode=customized
vxfsen_script_timeout=25

#
# security when enabled uses secure communication to the cp server
# using VxAT (Veritas Authentication Service)
# available options:
# 0 - don't use Veritas Authentication Service for cp server
#   communication
# 1 - use Veritas Authentication Service for cp server
#   communication
security=1

#
# Specify 3 or more odd number of coordination points in this file,
# one in its own line. They can be all-CP servers, all-SCSI-3
# compliant coordinator disks, or a combination of CP servers and
# SCSI-3 compliant coordinator disks. Please ensure that the CP
# server coordination points are numbered sequentially and in the
# same order on all the cluster nodes.
#
# Coordination Point Server(CPS) is specified as:
#
# cps<number>=[<vip/vhn>]:<port>
#
# If a CPS supports multiple virtual IPs or virtual hostnames over
# different subnets, all of the IPs/names can be specified in a

```

```
# comma separated list as follows:
#
# cps<number>=[<vip_1/vhn_1>]:<port_1>,[<vip_2/vhn_2>]:<port_2>, ...,
#  [<vip_n/vhn_n>]:<port_n>
#
# Where,
# <number>
# is the serial number of the CPS as a coordination point; must
# start with 1.
# <vip>
# is the virtual IP address of the CPS, must be specified in
# square brackets ("[]").
# <vhn>
# is the virtual hostname of the CPS, must be specified in square
# brackets ("[]").
# <port>
# is the port number bound to a particular <vip/vhn> of the CPS.
# It is optional to specify a <port>. However, if specified, it
# must follow a colon (":") after <vip/vhn>. If not specified, the
# colon (":") must not exist after <vip/vhn>.
#
# For all the <vip/vhn>s which do not have a specified <port>, a
# default port can be specified as follows:
#
# port=<default_port>
#
# Where <default_port> is applicable to all the <vip/vhn>s for
# which a <port> is not specified. In other words, specifying <port>
# with a <vip/vhn> overrides the <default_port> for that <vip/vhn>.
# If the <default_port> is not specified, and there are <vip/vhn>s for
# which <port> is not specified, then port number 14250 will be used
# for such <vip/vhn>s.
#
# Example of specifying CP Servers to be used as coordination points:
# port=57777
# cps1=[192.168.0.23],[192.168.0.24]:58888,[cps1.company.com]
# cps2=[192.168.0.25]
# cps3=[cps2.company.com]:59999
#
# In the above example,
# - port 58888 will be used for vip [192.168.0.24]
# - port 59999 will be used for vhn [cps2.company.com], and
# - default port 57777 will be used for all remaining <vip/vhn>s:
```

```

# [192.168.0.23]
# [cps1.company.com]
# [192.168.0.25]
# - if default port 57777 were not specified, port 14250 would be used
# for all remaining <vip/vhn>s:
# [192.168.0.23]
# [cps1.company.com]
# [192.168.0.25]
#
# SCSI-3 compliant coordinator disks are specified as:
#
# vxfendg=<coordinator disk group name>
# Example:
# vxfendg=vxfencoordg
#
# Examples of different configurations:
# 1. All CP server coordination points
# cps1=
# cps2=
# cps3=
#
# 2. A combination of CP server and a disk group having two SCSI-3
# coordinator disks
# cps1=
# vxfendg=
# Note: The disk group specified in this case should have two disks
#
# 3. All SCSI-3 coordinator disks
# vxfendg=
# Note: The disk group specified in case should have three disks
#
cps1=[cps1.company.com]
cps2=[cps2.company.com]
cps3=[cps3.company.com]
port=14250
=====

```

## Upgrade of SFCFSHA

- [Chapter 18. Planning to upgrade SFCFSHA](#)
- [Chapter 19. Performing a typical Storage Foundation Cluster File System High Availability upgrade using the installer](#)
- [Chapter 20. Performing a rolling upgrade of SFCFSHA](#)
- [Chapter 21. Performing a phased upgrade of SFCFSHA](#)
- [Chapter 22. Performing an automated SFCFSHA upgrade using response files](#)
- [Chapter 23. Upgrading Veritas Volume Replicator](#)
- [Chapter 24. Migrating from SFHA to SFCFSHA](#)
- [Chapter 25. Performing post-upgrade tasks](#)

# Planning to upgrade SFCFSHA

This chapter includes the following topics:

- [Upgrade methods for SFCFSHA](#)
- [Supported upgrade paths for SFCFSHA 6.0.1](#)
- [About using the installer to upgrade when the root disk is encapsulated](#)
- [Preparing to upgrade SFCFSHA](#)

## Upgrade methods for SFCFSHA

Symantec offers you several different ways to upgrade. You need to decide which upgrade method best suits your environment, your expertise, and the downtime required.

**Table 18-1** Review this table to determine how you want to perform the upgrade

Upgrade types and considerations	Methods available for upgrade
Typical upgrades—use a Veritas provided tool or you can perform the upgrade manually. Requires some server downtime.	Script-based—you can use this to upgrade for the supported upgrade paths Web-based—you can use this to upgrade for the supported upgrade paths Manual—you can use this to upgrade from the previous release Response file—you can use this to upgrade from the supported upgrade paths

**Table 18-1** Review this table to determine how you want to perform the upgrade (continued)

Upgrade types and considerations	Methods available for upgrade
Native operating system upgrade—use the upgrade software that comes with the operating system. Note that not all operating systems support native upgrades.	Operating system specific methods Operating system upgrades

## Supported upgrade paths for SFCFSHA 6.0.1

The following tables describe upgrading to 6.0.1.

**Table 18-2** RHEL 5 x64 upgrades using the script- or Web-based installer

Veritas software versions	RHAS 2.1 or RHEL 3	RHEL 4	RHEL 5
3.4.x 4.0	No upgrade path exists. Uninstall the product. Upgrade to RHEL 5 U5. Use the installer to install 6.0.1.	N/A	N/A
4.1 4.1 MP1 4.1 MP2 4.1 MP3 4.1 MP4	N/A	No upgrade path exists. Uninstall the product. Upgrade to RHEL 5 U5. Use the installer to install 6.0.1.	No upgrade path exists. Uninstall the product. Upgrade to RHEL 5 U5. Use the installer to install 6.0.1.
5.0 5.0 MP1 5.0 MP2	N/A	No upgrade path exists. Uninstall the product. Upgrade to RHEL 5 U5. Use the installer to install 6.0.1.	N/A
5.0 MP3 5.0 MP4	N/A	No upgrade path exists. Uninstall the product. Upgrade to RHEL 5 U5. Use the installer to install 6.0.1.	Upgrade to RHEL5 U5. Use the installer to upgrade to 6.0.1.

**Table 18-2** RHEL 5 x64 upgrades using the script- or Web-based installer  
*(continued)*

Veritas software versions	RHAS 2.1 or RHEL 3	RHEL 4	RHEL 5
5.1 5.1 RPx 5.1 PR1 5.1 SP1 5.1 SP1 RPx	N/A	N/A	Upgrade to RHEL5 U5. Use the installer to upgrade to 6.0.1.
6.0 6.0 RP1	N/A	N/A	Upgrade to RHEL5 U5. Use the installer to upgrade to 6.0.1.

**Table 18-3** RHEL6 x64 upgrades using the script- or Web-based installer

Veritas software versions	RHEL 4	RHEL5	RHEL 6
4.1 4.1 MP1 4.1 MP2 4.1 MP3 4.1 MP4	No upgrade path exists. Uninstall the product. Upgrade to RHEL 6 U2. Use the installer to install to 6.0.1.	No upgrade path exists. Uninstall the product. Upgrade to RHEL 6 U2. Use the installer to install to 6.0.1.	N/A
5.0 5.0 MP1 5.0 MP2	No upgrade path exists. Uninstall the product. Upgrade to RHEL 6 U2. Use the installer to install to 6.0.1.	N/A	N/A
5.0 MP3 5.0 MP4	No upgrade path exists. Uninstall product. Upgrade to RHEL 6 U2. Use the installer to install to 6.0.1.	No upgrade path exists. Uninstall product. Upgrade to RHEL 6 U2. Use the installer to install to 6.0.1.	N/A



**Table 18-3** RHEL6 x64 upgrades using the script- or Web-based installer  
*(continued)*

Veritas software versions	RHEL 4	RHEL5	RHEL 6
5.1 5.1 RPx 5.1 PR1 5.1 SP1 5.1 SP1 RPx	N/A	No upgrade path exists. Uninstall product. Upgrade to RHEL 6 U2. Use the installer to install to 6.0.1.	Upgrade to RHEL 6 U2 or RHEL 6 U3 and then use the installer to upgrade to 6.0.1.
5.1 SP1 PR2 5.1 SP1PR3	N/A	N/A	Upgrade to RHEL 6 U2. Upgrade VM P-patch for RHEL 6 U2 if VRTSvxvm is installed. Use the installer to upgrade to 6.0.1.
6.0 6.0 RP1	N/A	No Upgrade Path exists. Uninstall product. Upgrade to RHEL 6 U2. Use the installer to install to 6.0.1.	Upgrade to RHEL6 U2 or later. Use the installer to upgrade to 6.0.1.

**Table 18-4** SLES 10 x64 upgrades using the script- or Web-based installer

Veritas software versions	SLES 8	SLES 9	SLES 10
3.4.x	No upgrade path exists. Uninstall the product. Upgrade to SLES10 SP4. Use the installer to install 6.0.1.	N/A	N/A
4.1 4.1 MP1 4.1 MP2	N/A	No upgrade path exists. Uninstall the product. Upgrade to SLES10 SP4. Use the installer to install 6.0.1.	N/A

**Table 18-4** SLES 10 x64 upgrades using the script- or Web-based installer  
*(continued)*

Veritas software versions	SLES 8	SLES 9	SLES 10
4.1 MP3 4.1 MP4	N/A	No upgrade path exists. Uninstall the product. Upgrade to SLES10 SP4. Use the installer to install 6.0.1.	No upgrade path exists. Uninstall the product. Upgrade to SLES10 SP4. Use the installer to install 6.0.1.
5.0 5.0 MP1 5.0 MP2	N/A	No upgrade path exists. Uninstall the product. Upgrade to SLES10 SP4. Use the installer to install 6.0.1.	N/A
5.0 MP3 5.0 MP4	N/A	No upgrade path exists. Uninstall the product. Upgrade to SLES10 SP4. Use the installer to install 6.0.1.	Upgrade to SLES10 SP4. Use the installer to upgrade to 6.0.1.
5.0 RU4 5.1 5.1 RPx 5.1 PR1 5.1 SP1 5.1 SP1 RPx	N/A	N/A	Upgrade to SLES10 SP4. Use the installer to upgrade to 6.0.1.
6.0 6.0 RP1	N/A	N/A	Upgrade directly to 6.0.1 using the installer script.

**Table 18-5** SLES 11 x64 upgrades using the script- or Web-based installer

Veritas software versions	SLES 9	SLES 10	SLES 11
4.1 4.1 MP1 4.1 MP2 5.0 5.0 MP1 5.0 MP2	No upgrade path exists. Uninstall the product. Upgrade to SLES11 SP1 or SP2. Use the installer to install 6.0.1.	N/A	N/A
4.1 MP3 4.1 MP4 5.0 MP3	No upgrade path exists. Uninstall the product. Upgrade to SLES11 SP1 or SP2 . Use the installer to install 6.0.1.	No upgrade path exists. Uninstall the product. Upgrade to SLES11 SP1 or SP2. Use the installer to install 6.0.1.	N/A
5.0 MP4	No upgrade path exists. Uninstall the product. Upgrade to SLES11 SP1 or SP2. Use the installer to install 6.0.1.	No upgrade path exists. Uninstall the product. Upgrade to SLES11 SP1 or SP2. Use the installer to install 6.0.1.	Upgrade to SLES11 SP1 or SP2. Use the installer to upgrade to 6.0.1.
5.0 RU1	N/A	N/A	Upgrade to SLES11 SP1 or SP2. Use the installer to upgrade to 6.0.1.
5.1 5.1 RPx 5.1 SP1 5.1 SP1 RPx	N/A	N/A	Upgrade to SLES11 SP1 or SP2. Use the installer to upgrade to 6.0.1.
6.0 6.0 RP1	N/A	N/A	No upgrade path exists. Uninstall product. Upgrade to SLES11 SP1 or SP2. Upgrade directly to 6.0.1 using the installer script.

# About using the installer to upgrade when the root disk is encapsulated

When you use the installer to upgrade from a previous version of SFCFSHA and the system where you plan to upgrade has an encapsulated root disk, you may have to unencapsulate it.

**Table 18-6** Upgrading using installer when the root disk is encapsulated

Starting version	Ending version	Action required
5.0 MP3	6.0.1	You need to unencapsulate the root disk. The installer exits.
5.1 or 5.1 RPx	6.0.1	Do not unencapsulate. The installer runs normally. Reboot after upgrade.
5.1 SP1 or 5.1 SP1 RPx	6.0.1	Do not unencapsulate. The installer runs normally. Reboot after upgrade.
6.0 or 6.0 RP1	6.0.1	Do not unencapsulate. The installer runs normally. Reboot after upgrade.

## Preparing to upgrade SFCFSHA

Before you upgrade, you need to prepare the systems and storage. Review the following procedures and perform the appropriate tasks.

### Getting ready for the upgrade

Complete the following tasks before you perform the upgrade:

- Review the *Veritas Storage Foundation Cluster File System High Availability Release Notes* for any late-breaking information on upgrading your system.
- Review the Symantec Technical Support website for additional information: <http://www.symantec.com/techsupp/>
- Make sure that the administrator who performs the upgrade has root access and a good knowledge of the operating system's administration.

- Make sure that all users are logged off and that all major user applications are properly shut down.
- Make sure that you have created a valid backup.  
 See [“Creating backups”](#) on page 237.
- Ensure that you have enough file system space to upgrade. Identify where you want to copy the RPMs, for example `/packages/Veritas` when the root file system has enough space or `/var/tmp/packages` if the `/var` file system has enough space.  
 Do not put the files under `/tmp`, which is erased during a system reboot.  
 Do not put the files on a file system that is inaccessible prior to running the upgrade script.  
 You can use a Veritas-supplied disc for the upgrade as long as modifications to the upgrade script are not required.
- For any startup scripts in `/sbin/rcS.d`, comment out any application commands or processes that are known to hang if their file systems are not present.
- Make sure that the current operating system supports version 6.0.1 of the product. If the operating system does not support it, plan for a staged upgrade.
- Schedule sufficient outage time and downtime for the upgrade and any applications that use the Veritas products. Depending on the configuration, the outage can take several hours.
- Any swap partitions not in `rootdg` must be commented out of `/etc/fstab`. If possible, swap partitions other than those on the root disk should be commented out of `/etc/fstab` and not mounted during the upgrade. Active swap partitions that are not in `rootdg` cause `upgrade_start` to fail.
- Make sure the file systems are clean before upgrading.
- Upgrade arrays (if required).  
 See [“Upgrading the array support”](#) on page 245.
- To reliably save information on a mirrored disk, shut down the system and physically remove the mirrored disk. Removing the disk in this manner offers a failback point.
- Determine if the root disk is encapsulated.  
 See [“Determining if the root disk is encapsulated”](#) on page 238.

## Creating backups

Save relevant system information before the upgrade.

### To create backups

- 1 Log in as superuser.
- 2 Before the upgrade, ensure that you have made backups of all data that you want to preserve.
- 3 Back up information in files such as `/boot/grub/menu.lst`, `/etc/grub.conf` or `/etc/lilo.conf`, and `/etc/fstab`.
- 4 Installer verifies that recent backups of configuration files in VxVM private region have been saved in `/etc/vx/cbr/bk`.

If not, a warning message is displayed.

---

**Warning:** Backup `/etc/vx/cbr/bk` directory.

---

- 5 Copy the `fstab` file to `fstab.orig`:
 

```
# cp /etc/fstab /etc/fstab.orig
```
- 6 Run the `vxlicrep`, `vxdisk list`, and `vxprint -ht` commands and record the output. Use this information to reconfigure your system after the upgrade.
- 7 If you are installing the high availability version of the Veritas Storage Foundation 6.0.1 software, follow the guidelines given in the *Veritas Cluster Server Installation Guide* and *Veritas Cluster Server Release Notes* for information on preserving your VCS configuration across the installation procedure.

## Determining if the root disk is encapsulated

Check if the system's root disk is under VxVM control by running this command:

```
# df -v /
```

The root disk is under VxVM control if `/dev/vx/dsk/rootdg/rootvol` is listed as being mounted as the root (`/`) file system.

If the root disk is encapsulated, follow the appropriate upgrade procedures.

See [“About using the installer to upgrade when the root disk is encapsulated”](#) on page 236.

## Pre-upgrade planning for Veritas Volume Replicator

Before installing or upgrading Veritas Volume Replicator (VVR):

- Confirm that your system has enough free disk space to install VVR.
- Make sure you have root permissions. You must have root permissions to perform the install and upgrade procedures.
- If replication using VVR is configured, Symantec recommends that the disk group version is at least 110 prior to upgrading.  
 You can check the Disk Group version using the following command:

```
# vxdg list diskgroup
```

- If replication using VVR is configured, make sure the size of the SRL volume is greater than 110 MB.  
 Refer to the *Veritas Storage Foundation and High Availability Solutions Replication Administrator's Guide*.
- If replication using VVR is configured, verify that all the Primary RLINKs are up-to-date on all the hosts.

```
# /usr/sbin/vxlink -g diskgroup status rlink_name
```

---

**Note:** Do not continue until the primary RLINKs are up-to-date.

---

- If VCS is used to manage VVR replication, follow the preparation steps to upgrade VVR and VCS agents.

See the *Veritas Storage Foundation and High Availability Solutions Replication Administrator's Guide* for more information.

See the *Getting Started Guide* for more information on the documentation.

## Planning an upgrade from the previous VVR version

If you plan to upgrade VVR from the previous VVR version, you can upgrade VVR with reduced application downtime by upgrading the hosts at separate times. While the Primary is being upgraded, the application can be migrated to the Secondary, thus reducing downtime. The replication between the (upgraded) Primary and the Secondary, which have different versions of VVR, will still continue. This feature facilitates high availability even when the VVR upgrade is not complete on both the sites. Symantec recommends that the Secondary hosts be upgraded before the Primary host in the Replicated Data Set (RDS).

See the *Veritas Storage Foundation Cluster File System High Availability Release Notes* for information regarding VVR support for replicating across Storage Foundation versions

Replicating between versions is intended to remove the restriction of upgrading the Primary and Secondary at the same time. VVR can continue to replicate an existing RDS with Replicated Volume Groups (RVGs) on the systems that you want to upgrade. When the Primary and Secondary are at different versions, VVR does not support changing the configuration with the `vradmin` command or creating a new RDS.

Also, if you specify TCP as the network protocol, the VVR versions on the Primary and Secondary determine whether the checksum is calculated. As shown in [Table 18-7](#), if either the Primary or Secondary are running a version of VVR prior to 6.0.1, and you use the TCP protocol, VVR calculates the checksum for every data packet it replicates. If the Primary and Secondary are at VVR 6.0.1, VVR does not calculate the checksum. Instead, it relies on the TCP checksum mechanism.

**Table 18-7** VVR versions and checksum calculations

VVR prior to 6.0.1 (DG version <= 140)	VVR 6.0.1 (DG version >= 150)	VVR calculates checksum TCP connections?
Primary	Secondary	Yes
Secondary	Primary	Yes
Primary and Secondary		Yes
	Primary and Secondary	No

**Note:** When replicating between versions of VVR, avoid using commands associated with new features. The earlier version may not support new features and problems could occur.

If you do not need to upgrade all the hosts in the RDS simultaneously, you can use replication between versions after you upgrade one host. You can then upgrade the other hosts in the RDS later at your convenience.

**Note:** If you have a cluster setup, you must upgrade all the nodes in the cluster at the same time.

### Planning and upgrading VVR to use IPv6 as connection protocol

Veritas Storage Foundation Cluster File System High Availability supports using IPv6 as the connection protocol.

This release supports the following configurations for VVR:



- VVR continues to support replication between IPv4-only nodes with IPv4 as the internet protocol
- VVR supports replication between IPv4-only nodes and IPv4/IPv6 dual-stack nodes with IPv4 as the internet protocol
- VVR supports replication between IPv6-only nodes and IPv4/IPv6 dual-stack nodes with IPv6 as the internet protocol
- VVR supports replication between IPv6 only nodes
- VVR supports replication to one or more IPv6 only nodes and one or more IPv4 only nodes from a IPv4/IPv6 dual-stack node
- VVR supports replication of a shared disk group only when all the nodes in the cluster that share the disk group are at IPv4 or IPv6

## Preparing to upgrade VVR when VCS agents are configured

To prepare to upgrade VVR when VCS agents for VVR are configured, perform the following tasks in the order presented:

- [Freezing the service groups and stopping all the applications](#)
- [Preparing for the upgrade when VCS agents are configured](#)

### Freezing the service groups and stopping all the applications

This section describes how to freeze the service groups and stop all applications.

To freeze the service groups and stop applications

**Perform the following steps for the Primary and Secondary clusters:**

- 1 Log in as the superuser.
- 2 Make sure that `/opt/VRTS/bin` is in your PATH so that you can execute all the product commands.
- 3 Before the upgrade, cleanly shut down all applications.

In a shared disk group environment:

- OFFLINE all application service groups that do not contain RVGShared resources. Do not OFFLINE the ClusterService, cvm and RVGLogowner groups.
- If the application resources are part of the same service group as an RVGShared resource, then OFFLINE only the application resources.

In a private disk group environment:

- OFFLINE all application service groups that do not contain RVG resources. Do not OFFLINE the service groups containing RVG resources.
- If the application resources are part of the same service group as an RVG resource, then OFFLINE only the application resources. In other words, ensure that the RVG resource remains ONLINE so that the private disk groups containing these RVG objects do not get deported.

---

**Note:** You must also stop any remaining applications not managed by VCS.

---

- 4 On any node in the cluster, make the VCS configuration writable:

```
# haconf -makerw
```

- 5 On any node in the cluster, list the groups in your configuration:

```
# hagrps -list
```

- 6 On any node in the cluster, freeze all service groups except the ClusterService group by typing the following command for each group name displayed in the output from step 5.

```
# hagrps -freeze group_name -persistent<sys_name>
```

---

**Note:** Make a note of the list of frozen service groups for future use.

---

- 7 On any node in the cluster, save the configuration file (`main.cf`) with the groups frozen:

```
# haconf -dump -makero
```

---

**Note:** Continue only after you have performed steps 3 to step 7 for each node of the cluster.

---

- 8 Display the list of service groups that have RVG resources and the nodes on which each service group is online by typing the following command on any node in the cluster:

```
# hares -display -type RVG -attribute State
Resource      Attribute      System      Value
VVRGrp        State          system02    ONLINE
ORAGrp        State          system02    ONLINE
```

---

**Note:** For the resources that are ONLINE, write down the nodes displayed in the System column of the output.

---

- 9 Repeat step 8 for each node of the cluster.
- 10 For private disk groups, determine and note down the hosts on which the disk groups are imported.

See [“Determining the nodes on which disk groups are online”](#) on page 243.

- 11 For shared disk groups, run the following command on any node in the CVM cluster:

```
# vxdctl -c mode
```

Note the master and record it for future use.

### Determining the nodes on which disk groups are online

For private disk groups, determine and note down the hosts on which the disk groups containing RVG resources are imported. This information is required for restoring the configuration after the upgrade.

### To determine the online disk groups

- 1 On any node in the cluster, list the disk groups in your configuration, and note down the disk group names listed in the output for future use:

```
# hares -display -type RVG -attribute DiskGroup
```

---

**Note:** Write down the list of the disk groups that are under VCS control.

---

- 2 For each disk group listed in the output in step 1, list its corresponding disk group resource name:

```
# hares -list DiskGroup=diskgroup Type=DiskGroup
```

- 3 For each disk group resource name listed in the output in step 2, get and note down the node on which the disk group is imported by typing the following command:

```
# hares -display dg_resname -attribute State
```

The output displays the disk groups that are under VCS control and nodes on which the disk groups are imported.

## Preparing for the upgrade when VCS agents are configured

If you have configured the VCS agents, it is recommended that you take backups of the configuration files, such as `main.cf` and `types.cf`, which are present in the `/etc/VRTSvcs/conf/config` directory.

### To prepare a configuration with VCS agents for an upgrade

- 1 List the disk groups on each of the nodes by typing the following command on each node:

```
# vxdisk -o alldgs list
```

The output displays a list of the disk groups that are under VCS control and the disk groups that are not under VCS control.

---

**Note:** The disk groups that are not locally imported are displayed in parentheses.

---

- 2 If any of the disk groups have not been imported on any node, import them. For disk groups in your VCS configuration, you can import them on any node. For disk groups that are not under VCS control, choose an appropriate node on which to import the disk group. Enter the following command on the appropriate node:

```
# vxdg -t import diskgroup
```

- 3 If a disk group is already imported, then recover the disk group by typing the following command on the node on which it is imported:

```
# vxrecover -bs
```

- 4 Verify that all the Primary RLINKs are up to date.

```
# vxrlink -g diskgroup status rlink_name
```

---

**Note:** Do not continue until the Primary RLINKs are up-to-date.

---

## Upgrading the array support

The Storage Foundation 6.0.1 release includes all array support in a single RPM, VRTSaslapm. The array support RPM includes the array support previously included in the VRTSvxvm RPM. The array support RPM also includes support previously packaged as external array support libraries (ASLs) and array policy modules (APMs).

See the 6.0.1 Hardware Compatibility List for information about supported arrays.

See [“Hardware compatibility list \(HCL\)”](#) on page 30.

When you upgrade Storage Foundation products with the product installer, the installer automatically upgrades the array support. If you upgrade Storage Foundation products with manual steps, you should remove any external ASLs or APMs that were installed previously on your system. Installing the VRTSvxvm RPM exits with an error if external ASLs or APMs are detected.

After you have installed Storage Foundation 6.0.1, Symantec provides support for new disk arrays through updates to the `VRTSaslapm` RPM.

For more information about array support, see the *Veritas Storage Foundation Cluster File System High Availability Administrator's Guide*.

# Performing a typical Storage Foundation Cluster File System High Availability upgrade using the installer

This chapter includes the following topics:

- [Performing a full upgrade](#)

## Performing a full upgrade

Performing a full upgrade involves the following tasks:

- Ensuring that the file systems are clean
- Performing the upgrade
- Updating the configuration and confirming startup

## Ensuring the file systems are clean

Before upgrading to SFCFSHA 6.0.1, ensure that the file systems are clean. To ensure that the logs have been replayed and the file systems are marked clean:

**To ensure the file systems are clean**

- 1 Log in as superuser onto any node in the cluster.
- 2 Take the service group offline on each node of the cluster, which contains VxFS and CFS resources:

```
# hagr -offline group -sys system01
# hagr -offline group -sys system02
# hagr -offline group -sys system03
# hagr -offline group -sys system04
```

where *group* is the VCS service group that has the CVMVolDg and CFSSMount resource.

Repeat this step for each SFCFSHA service group.

---

**Note:** This unmounts the CFS file systems.

---

- 3 Unmount all VxFS file systems not under VCS control:

```
# umount mount_point
```

- 4 Check and repair each VxFS file system:

```
# fsck -t vxfs /dev/vx/dsk/diskgroup/volume
```

The `fsck` command in `/opt/VRTS/bin` accepts either the block or character device (`/dev/vx/dsk/dg/vol`) or (`/dev/vx/rdisk/dg/vol`). The operating system version of `fsck` may limit the device types it accepts.

For more information, see the `fsck` and `fsck_vxfs` man pages.

Repeat this step for each file system.

## Performing the upgrade

**To perform the upgrade**

- 1 Log in as superuser.
- 2 Insert the appropriate media disc per your distribution and architecture into your system's DVD-ROM drive.



- 3 If volume management software is running on your system, the software disc automatically mounts as `/mnt/cdrom`.

If volume management software is not available to mount the disc, you must mount it manually, enter:

```
# mount -o ro /dev/cdrom /mnt/cdrom
```

- 4 Change to the top-level directory on the disc:

```
# cd /mnt/cdrom
```

- 5 Verify there are no VxFS file systems mounted on the nodes being upgraded:

```
# mount -t vxfs
```

If any VxFS file systems are mounted, offline the group on each node of the cluster:

```
# hagr -offline group -sys system01
# hagr -offline group -sys system02
# hagr -offline group -sys system03
# hagr -offline group -sys system04
```

where *group* is the VCS service group that has the CVMVolDg and CFSSMount resource.

If VxFS are not managed by VCS then unmount them manually:

```
# umount mount_point
```

Repeat this step for each SFCFSHA service group.

- 6 Start the upgrade from any node in the cluster. Enter the following command, and then press **y** to upgrade the cluster configuration.

```
# ./installsfcfsha -upgrade
```

- 7 At the prompt, specify whether you accept the terms of the End User License Agreement (EULA).

```
Do you agree with the terms of the End User License Agreement
as specified in the storage_foundation_cluster_file_system_ha/EULA/
en/EULA_CFSHA_Ux_6.0.1.pdf file present on media? [y,n,q,?] y
```

- 8 The installer discovers if any of the systems that you are upgrading have mirrored and encapsulated boot disks. For each system that has a mirrored boot disk, you have the option to create a backup of the system's boot disk group before the upgrade proceeds. If you want to split the boot disk group to create a backup, answer **y**.
- 9 The installer then prompts you to name the backup boot disk group. Enter the name for it or press **Enter** to accept the default.
- 10 If you are prompted to start the split operation. Press **y** to continue.

---

**Note:** The split operation can take some time to complete.

---

- 11 You are prompted to enter the system names (in the following example, "sys1" and "sys2") on which the software is to be upgraded. Enter the system name or names and then press Return.

```
Enter the system names separated by spaces on which to
install SFCFSHA: sys1 sys2
```

- 12 During the initial system check, the installer verifies that communication between systems has been set up.

If the installer hangs or asks for a login password, stop the installer and set up ssh or rsh. Then run the installer again.

See [“About configuring secure shell or remote shell communication modes before installing products”](#) on page 401.

- 13 After you accept EULA and the system checks complete, the installer displays a list of the RPMs that will be upgraded. Press Enter to continue with the upgrade.
- 14 Output shows information that SFCFSHA must be stopped on a running system. Enter **y** to continue.
- 15 Press **Return** to begin removing the previous RPMs and installing the new.
- 16 Press **Return** again for summary information about logs and reboots.  
  
Do not remove the log files until the Veritas products are working properly on your system. Technical Support will need these log files for debugging purposes.
- 17 Update the configuration.

- 18 Only perform this step if you have split the mirrored root disk to back it up. After a successful reboot, verify the upgrade and re-join the backup disk group. If the upgrade fails, revert to the backup disk group.

See [“Re-joining the backup boot disk group into the current disk group”](#) on page 284.

See [“Reverting to the backup boot disk group after an unsuccessful upgrade”](#) on page 285.

## Updating the configuration and confirming startup

Perform the following steps on each upgraded node.

### To update the configuration and confirm startup

- 1 Remove the `/etc/VRTSvcs/conf/config/.stale` file, if it exists.

```
# rm -f /etc/VRTSvcs/conf/config/.stale
```

- 2 Reboot the upgraded nodes, if root disk is encapsulated.

```
# /sbin/shutdown -r
```

- 3 After the nodes reboot, verify that LLT is running:

```
# lltconfig
LLT is running
```

- 4 Verify GAB is configured:

```
# gabconfig -l | grep 'Driver.state' | \
  grep Configured
Driver state : Configured
```

- 5 Verify VxVM daemon is started and enabled:

```
# /opt/VRTS/bin/vxdctl mode
mode: enabled
```

- 6 Confirm all upgraded nodes are in a running state.

```
# gabconfig -a
```

- 7 After the configuration is complete, the CVM and SFCFSHA groups may come up frozen. To find out the frozen CVM and SFCFSHA groups, enter the following command:

```
# /opt/VRTS/bin/hastatus -sum
```

If the groups are frozen, unfreeze CVM and SFCFSHA groups using the following commands for each group:

- Make the configuration read/write.

```
# /opt/VRTS/bin/haconf -makerw
```

- Unfreeze the group.

```
# /opt/VRTS/bin/hagrps -unfreeze group_name -persistent
```

- Save the configuration.

```
# /opt/VRTS/bin/haconf -dump -makero
```

- 8 If VVR is configured, and the CVM and SFCFSHA groups are offline, bring the groups online in the following order:

Bring online the CVM groups on all systems.

```
# /opt/VRTS/bin/hagrps -online group_name -sys sys1
```

```
# /opt/VRTS/bin/hagrps -online group_name -sys sys2
```

where *group\_name* is the VCS service group that has the CVMVolDg resource.

Bring online the RVGShared groups and the virtual IP on the master node using the following commands:

```
# hagrps -online RVGShared -sys masterhost
```

```
# hares -online ip_name -sys masterhost
```

Bring online the SFCFSHA groups on all systems.

```
# /opt/VRTS/bin/hagrps -online group_name -sys sys1
```

```
# /opt/VRTS/bin/hagrps -online group_name -sys sys2
```

where *group\_name* is the VCS service group that has the CFSSMount resource.

If the SFCFSHA service groups do not come online then your file system could be dirty.

---

**Note:** If you upgrade to SFCFSHA 6.0.1 and the file systems are dirty, you have to deport the shared disk group and import it as non-shared. After the import, run `fsck`. `fsck` should succeed. Then deport the disk group and import it back as shared.

---

**9** Find out which node is the CVM master. Enter the following:

```
# vxdctl -c mode
```

**10** On the CVM master node, upgrade the CVM protocol. Enter the following:

```
# vxdctl upgrade
```

# Performing a rolling upgrade of SFCFSHA

This chapter includes the following topics:

- [Performing a rolling upgrade using the installer](#)

## Performing a rolling upgrade using the installer

Use a rolling upgrade to upgrade Veritas Storage Foundation Cluster File System High Availability to the latest release with minimal application downtime.

### About rolling upgrades

The rolling upgrade minimizes downtime for highly available clusters to the amount of time that it takes to perform a service group failover. The rolling upgrade has two main phases where the installer upgrades kernel RPMs in phase 1 and VCS agent RPMs in phase 2.

---

**Note:** You need to perform a rolling upgrade on a completely configured cluster.

---

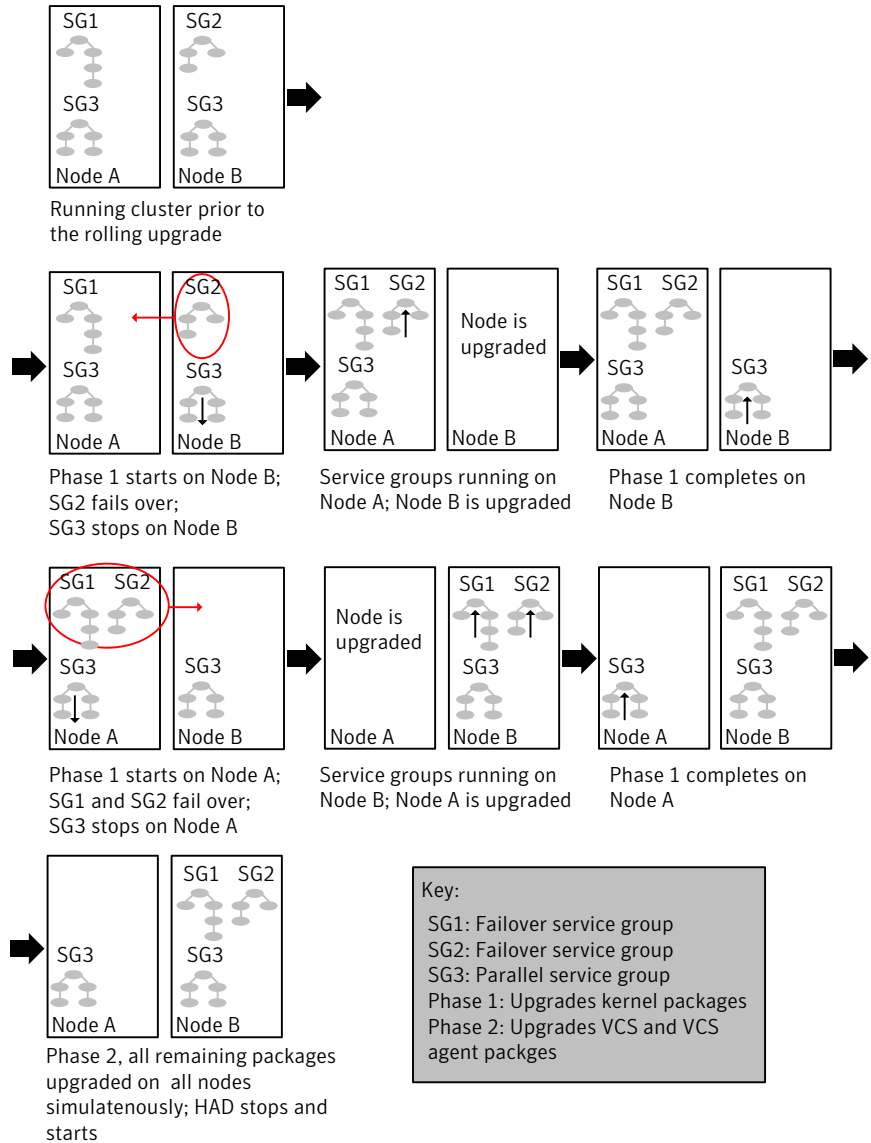
The following is an overview of the flow for a rolling upgrade:

1. The installer performs prechecks on the cluster.

2. The installer moves service groups to free nodes for the first phase of the upgrade as is needed.  
  
Application downtime occurs during the first phase as the installer moves service groups to free nodes for the upgrade. The only downtime that is incurred is the normal time required for the service group to fail over. The downtime is limited to the applications that are failed over and not the entire cluster.
3. The installer performs the second phase of the upgrade on all of the nodes in the cluster. The second phase of the upgrade includes downtime of the Veritas Cluster Server (VCS) engine HAD, but does not include application downtime.

[Figure 20-1](#) illustrates an example of the installer performing a rolling upgrade for three service groups on a two node cluster.

**Figure 20-1** Example of the installer performing a rolling upgrade



The following limitations apply to rolling upgrades:

- Rolling upgrades are not compatible with phased upgrades. Do not mix rolling upgrades and phased upgrades.
- You can perform a rolling upgrade from 5.1 and later versions.



## Supported rolling upgrade paths

You can perform a rolling upgrade of SFCFSHA with the script-based installer, the Web-based installer, or manually.

The rolling upgrade procedures support both major and minor operating system upgrades.

[Table 20-1](#) shows the versions of SFCFSHA for which you can perform a rolling upgrade to Veritas Storage Foundation Cluster File System High Availability 6.0.1.

**Table 20-1** Supported rolling upgrade paths

Platform	SFCFSHA version
Linux	5.1, 5.1RPs 5.1SP1, 5.1SP1RPs 5.1SP1PR2, 6.0, 6.0RP1

---

**Note:** Before performing a rolling upgrade from version 5.1SP1RP3 to version 6.0.1, install patch VRTSvxfen-5.1SP1RP3P2. For downloading the patch, search VRTSvxfen-5.1SP1RP3P2 in [Patch Lookup](#) on the [SORT](#) website.

---

## Performing a rolling upgrade using the script-based installer

Before you start the rolling upgrade, make sure that Veritas Cluster Server (VCS) is running.

### To perform a rolling upgrade

- 1 Complete the preparatory steps on the first sub-cluster.
- 2 Log in as superuser and mount the SFCFSHA 6.0.1 installation media.
- 3 From root, start the installer.
 

```
# ./installer
```
- 4 From the menu, select `Upgrade` and from the sub menu, select `Rolling Upgrade`.
- 5 The installer suggests system names for the upgrade. Enter `Yes` to upgrade the suggested systems, or enter `No`, and then enter the name of any one system in the cluster on which you want to perform a rolling upgrade.

- 6 The installer checks system communications, release compatibility, version information, and lists the cluster name, ID, and cluster nodes. Type **y** to continue.
- 7 The installer inventories the running service groups and determines the node or nodes to upgrade in phase 1 of the rolling upgrade. Type **y** to continue. If you choose to specify the nodes, type **n** and enter the names of the nodes.
- 8 The installer performs further prechecks on the nodes in the cluster and may present warnings. You can type **y** to continue or quit the installer and address the precheck's warnings.
- 9 Review the end-user license agreement, and type **y** if you agree to its terms.
- 10 If the upgrade is from the 5.1 SP1 release or later and the boot disk is encapsulated and mirrored, you can create a backup boot disk.

If you choose to create a backup boot disk, type **y**. Provide a backup name for the boot disk group or accept the default name. The installer then creates a backup copy of the boot disk group.

See [“Re-joining the backup boot disk group into the current disk group”](#) on page 284.

See [“Reverting to the backup boot disk group after an unsuccessful upgrade”](#) on page 285.

The installer lists the RPMs to upgrade on the selected node or nodes.

- 11 After the installer shows the package list, it detects if there are online failover service groups on the nodes to be upgraded. If there are online failover service groups, the installer prompts you to do one of the following:
  - Manually switch service groups
  - Use the CPI to automatically switch service groups

The downtime is the time that it normally takes for the service group's failover.

- 12 The installer prompts you to stop the applicable processes. Type **y** to continue.
 

The installer evacuates all service groups to the node or nodes that are not upgraded at this time. The installer stops parallel service groups on the nodes that are to be upgraded.
- 13 The installer stops relevant processes, uninstalls old kernel RPMs, and installs the new RPMs. When prompted, enable replication or global cluster capabilities, if required, and register the software.

The installer performs the upgrade configuration and re-starts processes.

If some processes fail to start, you may need to reboot the nodes and manually check the cluster's status.

14 Complete the preparatory steps on the nodes that you have not yet upgraded.

15 The installer begins phase 1 of the upgrade on the remaining node or nodes. Type **y** to continue the rolling upgrade.

The installer repeats step 7 through step 13.

For clusters with larger number of nodes, this process may repeat several times. Service groups come down and are brought up to accommodate the upgrade.

16 When phase 1 of the rolling upgrade completes, begin phase 2 of the upgrade. Phase 2 of the upgrade includes downtime for the VCS engine (HAD), which does not include application downtime. Type **y** to continue.

17 The installer determines the remaining RPMs to upgrade. Press **Enter** to continue.

18 The installer stops Veritas Cluster Server (VCS) processes but the applications continue to run. Type **y** to continue.

The installer performs prechecks, uninstalls old RPMs, and installs the new RPMs. It performs post-installation tasks, and the configuration for the upgrade.

19 Type **y** or **n** to help Symantec improve the automated installation.

20 If you have network connection to the Internet, the installer checks for updates. If updates are discovered, you can apply them now.

21 A prompt message appears to ask if the user would like to read the summary file. You can choose **y** if you want to read the install summary file.

22 To upgrade VCS or Storage Foundation High Availability (SFHA) on the Coordination Point (CP) server systems to version 6.0.1, upgrade VCS or SFHA on the CP server systems. You then upgrade all the application clusters to 6.0.1.

For instructions to upgrade VCS or SFHA on the CP server systems, refer to the appropriate installation guide.

## Performing a rolling upgrade of SFCFSHA using the Web-based installer

This section describes using the Veritas Web-based installer to perform a rolling upgrade. The installer detects and upgrades the product that is currently installed on the specified system or systems. If you want to upgrade to a different product, you may need to perform additional steps.

See [“About rolling upgrades”](#) on page 254.

### To start the rolling upgrade—phase 1

- 1 Perform the required steps to save any data that you wish to preserve. For example, take back-ups of configuration files.
- 2 Start the Web-based installer.  
See [“Starting the Veritas Web-based installer”](#) on page 140.
- 3 In the Task pull-down menu, select `Rolling Upgrade`.  
Click the **Next** button to proceed.
- 4 Enter the name of any one system in the cluster on which you want to perform a rolling upgrade. The installer identifies the cluster information of the system and displays the information.  
Click **Yes** to confirm the cluster information. The installer now displays the nodes in the cluster that will be upgraded during phase 1 of the upgrade.
- 5 Review the systems that the installer has chosen for phase 1 of the rolling upgrade. These systems are chosen to minimize downtime during the upgrade.  
Click **Yes** to proceed.  
The installer validates systems. If it throws an error, address the error and return to the installer.
- 6 Review the End User License Agreement (EULA). To continue, select **Yes, I agree** and click **Next**.
- 7 If you have online failover service groups, the installer prompts you to choose to switch these service groups either manually or automatically. Choose any option and follow the steps to switch all the failover service groups to the other subcluster.
- 8 The installer stops all processes. Click **Next** to proceed.  
The installer removes old software and upgrades the software on the systems that you selected.
- 9 If you want to enable volume or file replication or global cluster capabilities, select from the following options:
  - Veritas Volume Replicator
  - Veritas File Replicator
  - Global Cluster OptionClick **Register** to register the software. Click the **Next** button.  
The installer starts all the relevant processes and brings all the service groups online.

- 10 When prompted by the installer, reboot the nodes on the first half of the cluster.  
 Restart the installer.
- 11 Repeat step 5 through step 10 until the kernel RPMs of all the nodes are upgraded. For clusters with larger number of nodes, this process may get repeated several times. Service groups come down and are brought up to accommodate the upgrade.
- 12 When prompted, perform step 3 through step 10 on the nodes that you have not yet upgraded.
- 13 When prompted, start phase 2. Click **Yes** to continue with the rolling upgrade.  
 You may need to restart the Web-based installer to perform phase 2.  
 See “Starting the Veritas Web-based installer” on page 140.

**To upgrade the non-kernel components—phase 2**

- 1 In the Task pull-down menu, make sure that **Rolling Upgrade** is selected.  
 Click the **Next** button to proceed.
- 2 The installer detects the information of cluster and the state of rolling upgrade.  
 The installer validates systems. Click **Next**. If it throws an error, address the error and return to the installer.
- 3 Review the End User License Agreement (EULA). To continue, select **Yes, I agree** and click **Next**.
- 4 The installer stops the `HAD` and `CmdServer` processes in phase 2 of the rolling upgrade process. Click **Next** to proceed.
- 5 The installer removes old software and upgrades the software on the systems that you selected. Review the output and click the **Next** button when prompted. Register the software and click **Next** to proceed. The installer starts all the relevant processes and brings all the service groups online.
- 6 If you have network connection to the Internet, the installer checks for updates.  
 If updates are discovered, you can apply them now.
- 7 A prompt message appears to ask if the user would like to read the summary file. You can choose **y** if you want to read the install summary file.

The upgrade is complete.

# Performing a phased upgrade of SFCFSHA

This chapter includes the following topics:

- [Performing a phased upgrade of SFCFSHA](#)

## Performing a phased upgrade of SFCFSHA

Performing a phased upgrade involves the following tasks:

- Moving the service groups to the second subcluster
- Upgrading the SFCFSHA stack on the first subcluster
- Preparing the second subcluster
- Activating the first subcluster
- Upgrading the operating system on the second subcluster
- Upgrading the second subcluster
- Finishing the phased upgrade

Before you start the upgrade on the first half of the cluster, back up the VCS configuration files `main.cf` and `types.cf` which are in the directory `/etc/VRTSvcs/conf/config/`.

## Prerequisites for a phased upgrade

Before you start the upgrade, confirm that you have licenses for all the nodes that you plan to upgrade. Note that your applications have downtime during this procedure.

## Planning for a phased upgrade

Plan out the movement of the service groups from node-to-node to minimize the downtime for any particular service group. Some basic guidelines follow:

- Split the cluster in half. If the cluster has an odd number of nodes, calculate  $(n+1)/2$ , and start the upgrade with the even number of nodes.
- Split the cluster so that your high priority service groups remain online during the upgrade of the first subcluster.

## Phased upgrade limitations

The following limitations primarily describe not to tamper with configurations or service groups during the phased upgrade:

- While you perform the upgrades, do not start any modules. Also, do not add or remove service groups to any of the nodes.
- Depending on your configuration, you may find that you cannot upgrade multiple nodes at the same time. You may only be able to upgrade one node at a time.
- For very large clusters, you might have to repeat these steps multiple times to upgrade your cluster.
- You can perform a phased upgrade when the root disk is encapsulated.

## Moving the service groups to the second subcluster

**To move the service groups to the second subcluster**

- 1 Switch failover groups from the first half of the cluster to one of the nodes in the second half of the cluster. In this procedure, `sys1` is a node in the first half of the cluster and `sys4` is a node in the second half of the cluster. Enter the following:

```
# hagrps -switch failover_group -to sys4
```

- 2 On the first half of the cluster, stop all applications that are not configured under VCS. Use native application commands to stop the applications.

- 3 On the first half of the cluster, unmount the VxFS or CFS file systems that are not managed by VCS.

```
# mount | grep vxfs
```

Verify that no processes use the VxFS or CFS mount point. Enter the following:

```
# fuser -c mount_point
```

Stop any processes using a VxFS or CFS mount point with the mechanism provided by the application.

Unmount the VxFS or CFS file system. Enter the following:

```
# umount /mount_point
```

- 4 On the first half of the cluster, bring all the VCS service groups offline including CVM group. Enter the following:

```
# hagrps -offline group_name -sys sys1
```

When the CVM group becomes OFFLINE, all the parallel service groups such as the CFS file system will also become OFFLINE on the first half of the cluster nodes.

- 5 Verify that the VCS service groups are offline on all the nodes in first half of the cluster. Enter the following:

```
# hagrps -state group_name
```

- 6 Freeze the nodes in the first half of the cluster. Enter the following:

```
# haconf -makerw
```

```
# hasys -freeze -persistent sys1
```

```
# haconf -dump -makero
```



- 7 If I/O fencing is enabled, then on each node of the first half of the cluster, change the contents of the `/etc/vxfenmode` file to configure I/O fencing in disabled mode. Enter the following:

```
# cp /etc/vxfen.d/vxfenmode_disabled /etc/vxfenmode
# cat /etc/vxfenmode
[root@swlx08 ~]# cat /etc/vxfenmode
#
# vxfen_mode determines in what mode VCS I/O Fencing should work.
#
# available options:
# scsi3          - use scsi3 persistent reservation disks
# customized    - use script based customized fencing
# disabled      - run the driver but don't do any actual fencing
#
vxfen_mode=disabled
```

- 8 If the cluster-wide attribute `UseFence` is set to `SCSI3`, then reset the value to `NONE` in the `/etc/VRTSvcs/conf/config/main.cf` file, in first half of the cluster.
- 9 Verify that only GAB ports a, b, d and h are open. Enter the following:

```
# gabconfig -a
GAB Port Memberships
=====
Port a gen 6b5901 membership 01
Port b gen 6b5904 membership 01
Port d gen 6b5907 membership 01
Port h gen ada40f membership 01
```

Do not stop VCS. Port h should be up and running.

- 10 In the first half of the cluster, stop all VxVM and CVM volumes. Enter the following command for each disk group:

```
# vxvol -g diskgroup stopall
```

Verify that no volumes remain open. Enter the following:

```
# vxprint -Aht -e v_open
```

- 11 On first half of the cluster, upgrade the operating system on all the nodes, if applicable. For instructions, see the upgrade paths for the operating system. See [“Supported upgrade paths for SFCFSHA 6.0.1”](#) on page 231.

## Upgrading the SFCFSHA stack on the first subcluster

### To upgrade the SFCFSHA stack on the first subcluster

---

- ◆ **Note:** This procedure is based on an "in-place" upgrade path; that is, if the operating system is upgraded, the release will be the same, but only the path level will change. If you are moving from major operating system release to another, you must uninstall the SFCFSHA stack before you upgrade the operating system. After the operating system is upgraded, you must reinstall SFCFSHA.
- 

On the first half of the cluster, upgrade SFCFSHA by using the `installsfcfs` script. For example use the `installsfcfs` script as shown below:

```
# ./installsfcfs sys1
```

where `<sys1>` is the node on the first subcluster.

After the upgrade for first half of the cluster is complete, no GAB ports will be shown in `gabconfig -a` output.

To upgrade your operating system, follow the normal procedures for your platform.

---

**Note:** After the installation completes, you can safely ignore any instructions that the installer displays.

---

## Preparing the second subcluster

### To prepare the second subcluster

- 1 On the second half of the cluster, stop all applications that are not configured under VCS. Use native application commands to stop the application. [Downtime starts now.]

- 2 On the second half of the cluster, unmount the VxFS and CFS file systems that are not managed by VCS. Enter the following:

```
# mount | grep vxfs
```

Verify that no processes use the VxFS and CFS mount point. Enter the following:

```
# fuser -c mount_point
```

Stop any processes using a VxFS and CFS mount point with the mechanism provided by the application.

Unmount the VxFS and CFS file system. Enter the following:

```
# umount /mount_point
```

- 3 On the second half of the cluster, unfreeze all the VCS service groups on all the nodes using the following commands:

```
# haconf -makerw  
# hagrps -unfreeze group_name -persistent  
# haconf -dump -makero
```

- 4 On the second half of the cluster, bring all the VCS service groups offline, including CVM group. Enter the following:

```
# hagrps -offline group_name -sys sys4
```

- 5 On the second half of the cluster, verify that the VCS service groups are offline. Enter the following:

```
# hagrps -state group_name
```

- 6 Stop VCS on the second half of the cluster. Enter the following:

```
# hastop -local
```

- 7 On each node of the second half of the cluster, change the contents of the `/etc/vxfenmode` file to configure I/O fencing in disabled mode.

```
# cp /etc/vxfen.d/vxfenmode_disabled /etc/vxfenmode
# cat /etc/vxfenmode#
# vxfen_mode determines in what mode VCS I/O Fencing should work.
#
# available options:
# scsi3      - use scsi3 persistent reservation disks
# customized - use script based customized fencing
# disabled   - run the driver but don't do any actual fencing
#
vxfen_mode=disabled
```

- 8 If the cluster-wide attribute `UseFence` is set to `SCSI3`, reset the value to `NONE` in the `/etc/VRTSvcs/conf/config/main.cf` file, in second half of the cluster.
- 9 On the second half on cluster, stop the following SFCFSHA modules: `VCS`, `VxFEN`, `ODM`, `GAB`, and `LLT`. Enter the following:

```
# /etc/init.d/vxglm stop
# /etc/init.d/vxodm stop
# /etc/init.d/vxgms stop
# /etc/init.d/vxfen stop
# /etc/init.d/gab stop
# /etc/init.d/llt stop
```

- 10 On each node in the first half of the cluster, enable fencing. Enter the following:

```
# cp /etc/vxfen.d/vxfenmode_scsi3_dmp /etc/vxfenmode
# cat /etc/vxfenmode
#
# vxfen_mode determines in what mode VCS I/O Fencing should work.
#
# available options:
# scsi3      - use scsi3 persistent reservation disks
# customized - use script based customized fencing
# sybase     - use scsi3 disks in kernel but coordinate membership
# with Sybase ASE
# disabled   - run the driver but don't do any actual fencing
#
vxfen_mode=scsi3
#
# scsi3_disk_policy determines the way in which I/O Fencing
# communicates with the coordination disks.
#
# available options:
# dmp - use dynamic multipathing
# raw - connect to disks using the native interface
#
scsi3_disk_policy=dmp
```

- 11 If the cluster-wide attribute UseFence is set to NONE, reset the value to SCSI3 in the `/etc/VRTSvcs/conf/config/main.cf` file, in first half of the cluster.

## Activating the first subcluster

### To activate the first subcluster

- 1 Restart the upgraded nodes in the first half of the cluster:

```
# /sbin/shutdown -r now
```

When the first half of the cluster nodes come up, no GAB ports are OPEN. The following command does not show any GAB ports:

```
# /sbin/gabconfig -a
```

```
GAB Port Memberships
```

```
=====
```

- 2 If required, force gab to form a cluster after the upgraded nodes are rebooted in first half of the cluster.

```
# /sbin/gabconfig -x
```

GAB ports a, b, d and h appear in `gabconfig -a` command output.

---

**Note:** If port b and h are not up, you need to bring fencing and VCS manually online.

---

- 3 On the first half of the cluster, bring the VCS service groups online. Enter the following:

```
# hagrps -online group_name -sys node_name
```

After you bring the CVM service group ONLINE, all the GAB ports u, v, w and f come ONLINE and all the CFS mounts service groups also come ONLINE automatically. Only failover service groups need to be brought ONLINE manually.

- 4 Manually mount the VxFS and CFS file systems that are not managed by VCS. [Downtime ends now.]

## Upgrading the operating system on the second subcluster

To upgrade the operating system on the second subcluster

- ◆ Enter the following.

```
# chkconfig vcs off
# chkconfig vxfen off
# chkconfig gab off
# chkconfig llt off
```

On the second half of the cluster, upgrade the operating system, if applicable. For instructions, see the upgrade paths for the operating system.

## Upgrading the second subcluster

To upgrade the second subcluster

- ◆ Enter the following:

```
# ./installsfcfsha node_name
```

## Completing the phased upgrade

### To complete the phased upgrade

- 1 Verify that the cluster UUID on the nodes in the second subcluster is the same as the cluster UUID on the nodes in the first subcluster. Run the following command to display the cluster UUID:

```
# /opt/VRTSvcs/bin/uuidconfig.pl [-rsh] -clus -display nodename
```

If the cluster UUID differs, manually copy the cluster UUID from a node in the first subcluster to the nodes in the second subcluster. For example:

```
# /opt/VRTSvcs/bin/uuidconfig.pl [-rsh] -clus -copy -from_sys \  
node01 -to_sys node03 node04
```

- 2 On each node in the second half of the cluster, enable fencing. Enter the following:

```
# cp /etc/vxfen.d/vxfenmode_scsi3_dmp /etc/vxfenmode  
# cat /etc/vxfenmode  
#  
# vxfen_mode determines in what mode VCS I/O Fencing should work.  
#  
# available options:  
# scsi3      - use scsi3 persistent reservation disks  
# customized - use script based customized fencing  
# sybase     - use scsi3 disks in kernel but coordinate  
#             membership with Sybase ASE  
# disabled   - run the driver but don't do any actual fencing  
#  
vxfen_mode=scsi3  
#  
# scsi3_disk_policy determines the way in which I/O Fencing  
# communicates with the coordination disks.  
#  
# available options:  
# dmp - use dynamic multipathing  
# raw - connect to disks using the native interface  
#  
scsi3_disk_policy=dmp
```



- 3 Restart the upgraded nodes in the second half of the cluster:

```
# /sbin/shutdown -r
```

When second half of the nodes come up, all the GAB ports a, b, d, h, u, v, w and f are ONLINE. Also all the CFS mounts service groups come online automatically.

- 4 Manually mount the VxFS and CFS file systems that are not managed by VCS in the second half of the cluster.
- 5 Find out which node is the CVM master. Enter the following:

```
# vxdctl -c mode
```

- 6 On the CVM master node, upgrade the CVM protocol. Enter the following:

```
# vxdctl upgrade
```

# Performing an automated SFCFSHA upgrade using response files

This chapter includes the following topics:

- [Upgrading SFCFSHA using response files](#)
- [Response file variables to upgrade Veritas Storage Foundation Cluster File System High Availability](#)
- [Sample response file for upgrading Veritas Storage Foundation Cluster File System High Availability](#)

## Upgrading SFCFSHA using response files

Typically, you can use the response file that the installer generates after you perform SFCFSHA upgrade on one system to upgrade SFCFSHA on other systems. You can also create a response file using the `makeresponsefile` option of the installer.

### To perform automated SFCFSHA upgrade

- 1 Make sure the systems where you want to upgrade SFCFSHA meet the upgrade requirements.
- 2 Make sure the pre-upgrade tasks are completed.
- 3 Copy the response file to one of the systems where you want to upgrade SFCFSHA.
- 4 Edit the values of the response file variables as necessary.

- 5 Mount the product disc and navigate to the folder that contains the installation program.
- 6 Start the upgrade from the system to which you copied the response file. For example:

```
# ./installer -responsefile /tmp/response_file
# ./installsfcfsha -responsefile /tmp/response_file
```

Where /tmp/response\_file is the response file's full path name.

## Response file variables to upgrade Veritas Storage Foundation Cluster File System High Availability

Table 22-1 lists the response file variables that you can define to configure SFCFSHA.

**Table 22-1** Response file variables for upgrading SFCFSHA

Variable	Description
CFG{accepteula}	Specifies whether you agree with the EULA.pdf file on the media.  List or scalar: scalar  Optional or required: required
CFG{systems}	List of systems on which the product is to be installed or uninstalled.  List or scalar: list  Optional or required: required
CFG{opt}{keyfile}	Defines the location of an ssh keyfile that is used to communicate with all remote systems.  List or scalar: scalar  Optional or required: optional
CFG{opt}{tmppath}	Defines the location where a working directory is created to store temporary files and the RPMs that are needed during the install. The default location is /var/tmp.  List or scalar: scalar  Optional or required: optional

**Table 22-1** Response file variables for upgrading SFCFSHA (*continued*)

Variable	Description
CFG{opt}{logpath}	Mentions the location where the log files are to be copied. The default location is /opt/VRTS/install/logs.  List or scalar: scalar  Optional or required: optional
CFG{opt}{upgrade}	Upgrades all RPMs installed, without configuration.  List or scalar: list  Optional or required: optional
CFG{mirrordgname}{system}	If the root dg is encapsulated and you select split mirror is selected:  Splits the target disk group name for a system.  List or scalar: scalar  Optional or required: optional
CFG{splitmirror}{system}	If the root dg is encapsulated and you select split mirror is selected:  Indicates the system where you want a split mirror backup disk group created.  List or scalar: scalar  Optional or required: optional

## Sample response file for upgrading Veritas Storage Foundation Cluster File System High Availability

The following example shows a response file for upgrading Veritas Storage Foundation Cluster File System High Availability.

```
our %CFG;
$CFG{accepteula}=1;
$CFG{opt}{gco}=1;
$CFG{opt}{redirect}=1;
$CFG{opt}{upgrade}=1;
$CFG{opt}{vr}=1;
$CFG{systems}=[ qw(lxvcs05 lxvcs06) ];
$CFG{vcs_allowcomms}=1;
```

1;

# Upgrading Veritas Volume Replicator

This chapter includes the following topics:

- [Upgrading Veritas Volume Replicator](#)

## Upgrading Veritas Volume Replicator

If a previous version of Veritas Volume Replicator (VVR) is configured, the product installer upgrades VVR automatically when you upgrade the Storage Foundation products.

When upgrading from 4.1 or later, you have the option to upgrade without disrupting replication.

See [“Upgrading VVR without disrupting replication”](#) on page 278.

## Upgrading VVR without disrupting replication

This section describes the upgrade procedure from an earlier version of VVR to the current version of VVR when replication is in progress, assuming that you do not need to upgrade all the hosts in the RDS simultaneously.

You may also need to set up replication between versions.

See [“Planning an upgrade from the previous VVR version”](#) on page 239.

When both the Primary and the Secondary have the previous version of VVR installed, the upgrade can be performed either on the Primary or on the Secondary. We recommend that the Secondary hosts be upgraded before the Primary host in the RDS. This section includes separate sets of steps, for the Primary upgrade and for the Secondary upgrade.

---

**Note:** If you have a cluster setup, you must upgrade all the nodes in the cluster at the same time.

---

## Upgrading VVR on the Secondary

Follow these instructions to upgrade the Secondary hosts.

### To upgrade the Secondary

- 1 Stop replication to the Secondary host by initiating a Primary pause using the following command:

```
# vradmin -g diskgroup pauserep local_rvgname
```

- 2 Upgrade from VVR 5.1 or later to VVR 6.0.1 on the Secondary.

- 3 Do one of the following:

- Upgrade the disk group now. Enter the following:

```
# vxdg upgrade dname
```

- Upgrade the disk group later.  
If you upgrade the disk group later, be sure to pause replication before you upgrade the disk group.

- 4 Resume the replication from the Primary using the following command:

```
# vradmin -g diskgroup resumerep local_rvgname sec_hostname
```

## Upgrading VVR on the Primary

After you upgrade the Secondary, use the Veritas product installer to upgrade the Primary.

### To upgrade the Primary

- 1 Stop replication to the Primary host by initiating a Primary pause using the following command:

```
# vradmin -g diskgroup pauserep local_rvgname
```

- 2 Upgrade from VVR 5.1 or later to VVR 6.0.1 on the Secondary.

- 3 Do one of the following:

- Upgrade the disk group now. Enter the following:

```
# vxdg upgrade dgname
```

- Upgrade the disk group later.  
If you upgrade the disk group later, be sure to pause replication before you upgrade the disk group.

4 Resume the replication from the Primary using the following command:

```
# vradmin -g diskgroup resumerep local_rvgname  
          sec_hostname
```

See [“Planning an upgrade from the previous VVR version”](#) on page 239.



# Migrating from SFHA to SFCFSHA

This chapter includes the following topics:

- [Migrating from SFHA to SFCFSHA 6.0.1](#)

## Migrating from SFHA to SFCFSHA 6.0.1

This section describes how to migrate Storage Foundation High Availability (SFHA) 6.0.1 to Storage Foundation Cluster File System High Availability (SFCFSHA) 6.0.1.

The product installer does not support direct upgrades from a previous version of SFHA or SFCFSHA 6.0.1. Ensure that you upgrade the existing SFHA to 6.0.1 before beginning this procedure.

### To migrate from SFHA 6.0.1 to SFCFSHA 6.0.1

- 1 Back up the `main.cf` file before beginning the upgrade.
- 2 Confirm that the storage disks are visible on all the nodes in the 6.0.1 SFHA cluster.
- 3 Bring all the failover service groups offline, using the following command:

```
# hagrps -offline group_name -any
```

The above command brings the service group offline on the node where the service group is currently online.

- 4 Unmount all the VxFS file systems which are not under VCS control. If the local file systems are under VCS control, then VCS unmounts the file systems when the failover service group is brought offline in step 3.

On the nodes that have any mounted VxFS local file systems that are not under VCS control:

```
# umount -t vxfs -a
```

- 5 Stop all of the activity on the volumes and deport the local disk groups. If the local disk groups are part of VCS failover service groups, then VCS deports the disk groups when the failover service group is brought offline in step 3.

```
# vxvol -g diskgroup_name stopall  
# vxdg deport diskgroup_name
```

- 6 Upgrade the existing SFHA to SFCFSHA 6.0.1:

```
# ./installsfcfsha
```

- 7 After installation is completed, the install script asks you to install licenses. Enter the correct license key to register the key.
- 8 The installer prompts to reconfigure the VCS. Provide the same cluster name, cluster ID, and LLT link interfaces details that were used during configuration of the SFHA cluster.

- 9 Find out which node is the CVM master, using the following command:

```
# vxdctl -c mode
```

- 10 On the CVM Master node, re-import all the required disk groups which must be in shared mode:

```
# vxdg -s import diskgroup_name
```

- 11 Start all the volumes whose disk groups have been imported as shared in step 10. Use the following command:

```
# vxdg -g diskgroup_name startall
```

- 12 Run the following command for each of the file systems you want to mount as CFS:

```
# cfsmntadm add diskgroup_name volume_name mount_point \  
all=cluster_mount_options
```

- 13 Run the following command to mount CFS file systems on all the nodes:

```
# cfsmount mount_point
```

- 14 Import all other local disk groups which have not been imported in shared mode in step 10.

```
# vxdg import diskgroup_name
```

Start all the volumes of these disk groups using:

```
# vxvol -g diskgroup_name startall
```

Mount these volumes.

- 15 For any of the file systems which VCS needs to monitor through failover service groups, create these failover service groups by adding the Mount, Diskgroup & Volume resources for VxFS file systems under VCS control.

# Performing post-upgrade tasks

This chapter includes the following topics:

- [Re-joining the backup boot disk group into the current disk group](#)
- [Reverting to the backup boot disk group after an unsuccessful upgrade](#)

## Re-joining the backup boot disk group into the current disk group

Perform this procedure to rejoin the backup boot disk if you split the mirrored boot disk during upgrade. After a successful upgrade and reboot, you no longer need to keep the boot disk group backup.

See [“Performing a rolling upgrade using the installer”](#) on page 254.

**To re-join the backup boot disk group**

- ◆ Re-join the *backup\_bootdg* disk group to the boot disk group.

```
# /etc/vx/bin/vxrootadm -Y join backup_bootdg
```

where the `-Y` option indicates a silent operation, and *backup\_bootdg* is the name of the backup boot disk group that you created during the upgrade.

# Reverting to the backup boot disk group after an unsuccessful upgrade

Perform this procedure if your upgrade was unsuccessful and you split the mirrored boot disk to back it up during upgrade. You can revert to the backup that you created when you upgraded.

See [“Performing a rolling upgrade using the installer”](#) on page 254.

## To revert the backup boot disk group after an unsuccessful upgrade

- 1 To determine the boot disk groups, look for the *rootvol* volume in the output of the `vxprint` command.

```
# vxprint
```

- 2 Use the `vx dg` command to find the boot disk group where you are currently booted.

```
# vx dg bootdg
```

- 3 Boot the operating system from the backup boot disk group.
- 4 Join the original boot disk group to the backup disk group.

```
# /etc/vx/bin/vxrootadm -Y join original_bootdg
```

where the `-Y` option indicates a silent operation, and *original\_bootdg* is the boot disk group that you no longer need.

# Post-installation tasks

- [Chapter 26. Verifying the SFCFSHA installation](#)

# Verifying the SFCFSHA installation

This chapter includes the following topics:

- [Performing a postcheck on a node](#)
- [Verifying that the products were installed](#)
- [Installation log files](#)
- [Checking Veritas Volume Manager processes](#)
- [Verifying agent configuration for Storage Foundation Cluster File System High Availability](#)
- [Configuring VCS for Storage Foundation Cluster File System High Availability](#)
- [About the cluster UUID](#)
- [Verifying the LLT, GAB, and VCS configuration files](#)
- [Verifying LLT, GAB, and cluster operation](#)

## Performing a postcheck on a node

The installer's `postcheck` command can help you to determine installation-related problems and provide troubleshooting information.

See [“About using the postcheck option”](#) on page 368.

**To run the postcheck command on a node**

- 1 Run the installer with the `-postcheck` option.

```
# ./installer -postcheck system_name
```

- 2 Review the output for installation-related information.

## Verifying that the products were installed

Verify that the SFCFSHA products are installed.

Use the command to check which RPMs have been installed.

```
# rpm -qa | grep VRTS
```

You can verify the version of the installed product. Use the following command:

```
# /opt/VRTS/install/installsfcfsha<version>
```

Where `<version>` is the specific release version.

See [“About the Veritas installer”](#) on page 42.

Use the following sections to further verify the product installation.

## Installation log files

After every product installation, the installer creates three text files:

- Installation log file
- Response file
- Summary file

The name and location of each file is displayed at the end of a product installation, and are always located in the `/opt/VRTS/install/logs` directory. It is recommended that you keep the files for auditing, debugging, and future use.

## Using the installation log file

The installation log file contains all commands executed during the procedure, their output, and errors generated by the commands. This file is for debugging installation problems and can be used for analysis by Veritas Support.



## Using the summary file

The summary file contains the results of the installation by the installer or product installation scripts. The summary includes the list of the RPMs, and the status (success or failure) of each RPM. The summary also indicates which processes were stopped or restarted during the installation. After installation, refer to the summary file to determine whether any processes need to be started.

## Checking Veritas Volume Manager processes

Use the following procedure to verify that Volume Manager processes are running.

### To confirm that key Volume Manager processes are running

- ◆ Type the following command:

```
# ps -ef | grep vx
```

Entries for the `vxiod`, `vxconfigd`, `vxnotify`, `vxesd`, `vxrelocd`, `vxcached` and `vxconfigbackupd` processes should appear in the output from this command. If you disable hot-relocation, the `vxrelocd` and `vxnotify` processes are not displayed.

## Verifying agent configuration for Storage Foundation Cluster File System High Availability

This section describes how to verify the agent configuration.

### To verify the agent configuration

- ◆ Enter the cluster status command from any node in the cluster:

```
# cfscluster status
```

Output resembles:

```
Node           : system01
Cluster Manager : running
CVM state      : running
No mount point registered with cluster configuration
```

```
Node           : system02
Cluster Manager : running
CVM state      : running
No mount point registered with cluster configuration
```

# Configuring VCS for Storage Foundation Cluster File System High Availability

Configuring VCS means conveying to the VCS engine the definitions of the cluster, service groups, resources, and resource dependencies. VCS uses two configuration files in a default configuration:

- The `main.cf` file defines the entire cluster.
- The `types.cf` file defines the resource types.

By default, both files reside in the directory `/etc/VRTSvcs/conf/config`. Additional files similar to `types.cf` may be present if agents have been added, such as `OracleTypes.cf`.

In a VCS cluster, the first system to be brought online reads the configuration file and creates an internal (in-memory) representation of the configuration. Systems brought online after the first system derive their information from systems running in the cluster. You must stop the cluster while you are modifying the files from the command line. Changes made by editing the configuration files take effect when the cluster is restarted. The node on which the changes were made should be the first node to be brought back online.

## main.cf file

The VCS configuration file `main.cf` is created during the installation procedure. After installation, the `main.cf` file contains the base definitions of the cluster and its nodes. Additionally, the file `types.cf` listed in the include statement defines the bundled agents for VCS resources.

See the *Veritas Cluster Server User's Guide*.

A typical VCS configuration file for SFCFSHA file resembles:

```
include "types.cf"
include "CFSTypes.cf"
include "CVMTTypes.cf"
include "OracleASMTTypes.cf"
include "Db2udbTypes.cf"
include "OracleTypes.cf"
include "SybaseTypes.cf"

cluster sfcfs_1 (
    HacliUserLevel = COMMANDROOT
)
```

```

system thor150 (
)

system thor151 (
)

group cvm (
    SystemList = { thor150 = 0, thor151 = 1 }
    AutoFailOver = 0
    Parallel = 1
    AutoStartList = { thor150, thor151 }
)

CFSfsckd vxfsckd (
)

CVMCluster cvm_clus (
    CVMClustName = sfcfs_1
    CVMNodeId = { thor150 = 0, thor151 = 1 }
    CVMTransport = gab
    CVMTimeout = 200
)

CVMVxconfigd cvm_vxconfigd (
    Critical = 0
    CVMVxconfigdArgs = { syslog }
)

cvm_clus requires cvm_vxconfigd
vxfsckd requires cvm_clus

// resource dependency tree
//
//     group cvm
//     {
//         CVMCluster cvm_clus
//         {
//             CVMVxconfigd cvm_vxconfigd
//         }
//     }

```

## Storage Foundation Cluster File System HA Only

If you configured VCS Cluster Manager (Web Console), a service group, "ClusterService," was created that includes IP, Process, and Notifier resources.

These resources were configured according to information you provided during the installation procedure. A resource dependency was also created.

## Veritas Cluster Server application failover services

If you installed SFCFS HA, you can begin implementing the application monitoring failover services provided by the Veritas Cluster Server. Information about setting up VCS services is beyond the scope of this document.

See the *Veritas Cluster Server* documentation.

## Configuring the cluster UUID when creating a cluster manually

You need to configure the cluster UUID when you manually create a cluster.

**To configure the cluster UUID when you create a cluster manually**

- ◆ On one node in the cluster, perform the following command to populate the cluster UUID on each node in the cluster.

```
# /opt/VRTSvcs/bin/uuidconfig.pl -clus -configure nodeA  
nodeB ... nodeN
```

Where *nodeA*, *nodeB*, through *nodeN* are the names of the cluster nodes.

## About the cluster UUID

You can verify the existence of the cluster UUID.

**To verify the cluster UUID exists**

- ◆ From the prompt, run a cat command.

```
cat /etc/vx/.uuids/clusuuid
```

## Verifying the LLT, GAB, and VCS configuration files

Make sure that the LLT, GAB, and VCS configuration files contain the information you provided during VCS installation and configuration.

**To verify the LLT, GAB, and VCS configuration files**

- 1 Navigate to the location of the configuration files:
  - LLT  
/etc/llhosts  
/etc/lltab

- GAB  
  /etc/gabtab
  - VCS  
  /etc/VRTSvcs/conf/config/main.cf
- 2 Verify the content of the configuration files.  
  See [“About the LLT and GAB configuration files”](#) on page 383.

## Verifying LLT, GAB, and cluster operation

Verify the operation of LLT, GAB, and the cluster using the VCS commands.

### To verify LLT, GAB, and cluster operation

- 1 Log in to any node in the cluster as superuser.
- 2 Make sure that the PATH environment variable is set to run the VCS commands.
- 3 Verify LLT operation.  
  See [“Verifying LLT”](#) on page 293.
- 4 Verify GAB operation.  
  See [“Verifying GAB”](#) on page 295.
- 5 Verify the cluster operation.  
  See [“Verifying the cluster”](#) on page 297.

## Verifying LLT

Use the `lltstat` command to verify that links are active for LLT. If LLT is configured correctly, this command shows all the nodes in the cluster. The command also returns information about the links for LLT for the node on which you typed the command.

Refer to the `lltstat(1M)` manual page for more information.

### To verify LLT

- 1 Log in as superuser on the node `sys1`.
- 2 Run the `lltstat` command on the node `sys1` to view the status of LLT.

```
lltstat -n
```

The output on `sys1` resembles:

LLT node information:

Node	State	Links
*0 sys1	OPEN	2
1 sys2	OPEN	2

Each node has two links and each node is in the OPEN state. The asterisk (\*) denotes the node on which you typed the command.

If LLT does not operate, the command does not return any LLT links information: If only one network is connected, the command returns the following LLT statistics information:

LLT node information:

Node	State	Links
* 0 sys1	OPEN	2
1 sys2	OPEN	2
2 sys5	OPEN	1

- 3 Log in as superuser on the node sys2.
- 4 Run the `lltstat` command on the node sys2 to view the status of LLT.

```
lltstat -n
```

The output on sys2 resembles:

LLT node information:

Node	State	Links
0 sys1	OPEN	2
*1 sys2	OPEN	2

- 5 To view additional information about LLT, run the `lltstat -nvv` command on each node.

For example, run the following command on the node sys1 in a two-node cluster:

```
lltstat -nvv active
```

The output on sys1 resembles:

Node	State	Link	Status	Address
*0 sys1	OPEN	<i>eth1</i>	UP	08:00:20:93:0E:34
		<i>eth2</i>	UP	08:00:20:93:0E:38
1 sys2	OPEN			

```
eth1 UP      08:00:20:8F:D1:F2
eth2 DOWN
```

The command reports the status on the two active nodes in the cluster, sys1 and sys2.

For each correctly configured node, the information must show the following:

- A state of OPEN
- A status for each link of UP
- An address for each link

However, the output in the example shows different details for the node sys2. The private network connection is possibly broken or the information in the `/etc/llttab` file may be incorrect.

- 6 To obtain information about the ports open for LLT, type `lltstat -p` on any node.

For example, type `lltstat -p` on the node sys1 in a two-node cluster:

```
lltstat -p
```

The output resembles:

```
LLT port information:
Port  Usage      Cookie
0     gab        0x0
      opens:   0 2 3 4 5 6 7 8 9 10 11 ... 60 61 62 63
      connects: 0 1
7     gab        0x7
      opens:   0 2 3 4 5 6 7 8 9 10 11 ... 60 61 62 63
      connects: 0 1
31    gab        0x1F
      opens:   0 2 3 4 5 6 7 8 9 10 11 ... 60 61 62 63
      connects: 0 1
```

## Verifying GAB

Verify the GAB operation using the `gabconfig -a` command. This command returns the GAB port membership information.

The ports indicate the following:

```
a          GAB
```

b	I/O fencing
d	Oracle Disk Manager (ODM)
f	Cluster File System (CFS)
h	Veritas Cluster Server (VCS: High Availability Daemon)
u	Cluster Volume Manager (CVM) (to ship commands from slave node to master node)  Port u in the <code>gabconfig</code> output is visible with CVM protocol version $\geq 100$ .
v	Cluster Volume Manager (CVM)
w	<code>vxconfigd</code> (module for CVM)
y	Cluster Volume Manager (CVM) I/O shipping

For more information on GAB, refer to the *Veritas Cluster Server Administrator's Guide*.

### To verify GAB

- 1 To verify that GAB operates, type the following command on each node:

```
/sbin/gabconfig -a
```

- 2 Review the output of the command:

- If GAB operates, the following GAB port membership information is returned:

```
GAB Port Memberships
=====
Port a gen  ada401 membership 01
Port b gen  ada40d membership 01
Port d gen  ada409 membership 01
Port f gen  ada41c membership 01
Port h gen  ada40f membership 01
Port o gen  ada406 membership 01
Port u gen  ada41a membership 01
Port v gen  ada416 membership 01
Port w gen  ada418 membership 01
Port y gen  ada42a membership 0
```

Note that port b in the `gabconfig` command output may not indicate that I/O fencing feature is configured. After you configure Storage Foundation Cluster File System High Availability using the installer, the installer starts



I/O fencing in disabled mode. You can use the `vxfenadm -d` command to verify the I/O fencing configuration.

- If GAB does not operate, the command does not return any GAB port membership information:

```
GAB Port Memberships
=====
```

## Verifying the cluster

Verify the status of the cluster using the `hastatus` command. This command returns the system state and the group state.

Refer to the `hastatus(1M)` manual page.

Refer to the *Veritas Cluster Server Administrator's Guide* for a description of system states and the transitions between them.

### To verify the cluster

- 1 To verify the status of the cluster, type the following command:

```
# hastatus -summary
```

The output resembles:

```
-- SYSTEM STATE
-- System                State                Frozen

A  sys1                  RUNNING             0
A  sys2                  RUNNING             0

-- GROUP STATE
-- Group                 System              Probed  AutoDisabled  State

B  cvm                   sys1                Y       N              ONLINE
B  cvm                   sys2                Y       N              ONLINE
```

- 2 Review the command output for the following information:
  - The system state  
 If the value of the system state is `RUNNING`, the cluster is successfully started.

## Verifying the cluster nodes

Verify the information of the cluster systems using the `hasys -display` command. The information for each node in the output should be similar.

Refer to the `hasys(1M)` manual page.

Refer to the *Veritas Cluster Server Administrator's Guide* for information about the system attributes for VCS.

### To verify the cluster nodes

- ◆ On one of the nodes, type the `hasys -display` command:

```
hasys -display
```

The example shows the output when the command is run on the node `sys1`. The list continues with similar information for `sys2` (not shown) and any other nodes in the cluster.

#System	Attribute	Value
sys1	AgentsStopped	0
sys1	AvailableCapacity	100
sys1	CPUUsage	0
sys1	CPUUsageMonitoring	Enabled 0 ActionThreshold 0 ActionTimeLimit 0 Action NONE NotifyThreshold 0 NotifyTimeLimit 0
sys1	Capacity	100
sys1	ConfigBlockCount	
sys1	ConfigChecksum	
sys1	ConfigDiskState	CURRENT
sys1	ConfigFile	/etc/VRTSvcs/conf/config
sys1	ConfigInfoCnt	0
sys1	ConfigModDate	Wed 14 Oct 2009 17:22:48
sys1	ConnectorState	Down
sys1	CurrentLimits	
sys1	DiskHbStatus	

```

#System      Attribute      Value
sys1         DynamicLoad    0
sys1         EngineRestarted 0
sys1         EngineVersion  5.1.00.0
sys1         Frozen         0
sys1         GUIIPAddr
sys1         HostUtilization CPU 0 Swap 0
sys1         LLTNodeId      0
sys1         LicenseType    DEMO
sys1         Limits
sys1         LinkHbStatus
sys1         LoadTimeCounter 0
sys1         LoadTimeThreshold 600
sys1         LoadWarningLevel 80
sys1         NoAutoDisable 0
sys1         NodeId         0
sys1         OnGrpCnt       1
sys1         ShutdownTimeout
sys1         SourceFile     ./main.cf
sys1         SysInfo
sys1         SysName        sys1
sys1         SysState       RUNNING
sys1         SystemLocation
sys1         SystemOwner
sys1         TFrozen        0
sys1         TRSE           0

```

#System	Attribute	Value
sys1	UpDownState	Up
sys1	UserInt	0
sys1	UserStr	
sys1	VCSFeatures	DR
sys1	VCSMode	VCS_CFS_VRTS

# Configuration of disaster recovery environments

- [Chapter 27. Configuring disaster recovery environments](#)

# Configuring disaster recovery environments

This chapter includes the following topics:

- [Disaster recovery options for SFCFSHA](#)
- [About setting up a campus cluster for disaster recovery](#)
- [About setting up a global cluster environment for SFCFSHA](#)
- [About configuring a parallel global cluster using Veritas Volume Replicator \(VVR\) for replication](#)

## Disaster recovery options for SFCFSHA

SFCFSHA supports configuring a disaster recovery environment using:

- Campus cluster
- Global clustering option (GCO) with replication
- Global clustering using Veritas Volume Replicator (VVR) for replication

For more about planning for disaster recovery environments:

You can install and configure clusters for your disaster recovery environment as you would for any cluster using the procedures in this installation guide.

For a high level description of the tasks for implementing disaster recovery environments:

See [“About setting up a campus cluster for disaster recovery”](#) on page 303.

See [“About setting up a global cluster environment for SFCFSHA”](#) on page 305.

See [“About configuring a parallel global cluster using Veritas Volume Replicator \(VVR\) for replication”](#) on page 306.

For complete details for configuring your disaster recovery environment once clusters are installed and configured:

See the *Veritas Storage Foundation and High Availability Solutions Disaster Recovery Implementation Guide*.

## About setting up a campus cluster for disaster recovery

Campus clusters:

- Are connected using a high speed cable that guarantees network access between the nodes
- Provide local high availability and disaster recovery functionality in a single cluster
- Employ shared disk groups mirrored across sites with Veritas Volume Manager (VxVM)
- Are supported by Veritas Storage Foundation Cluster File System High Availability (SFCFSHA)

The following high-level tasks illustrate the setup steps for a campus cluster in a parallel cluster database environment. The example values are given for SF for Oracle RAC and should be adapted for an SFCFS HA cluster using another database application.

**Table 27-1** Tasks for setting up a parallel campus cluster for disaster recovery

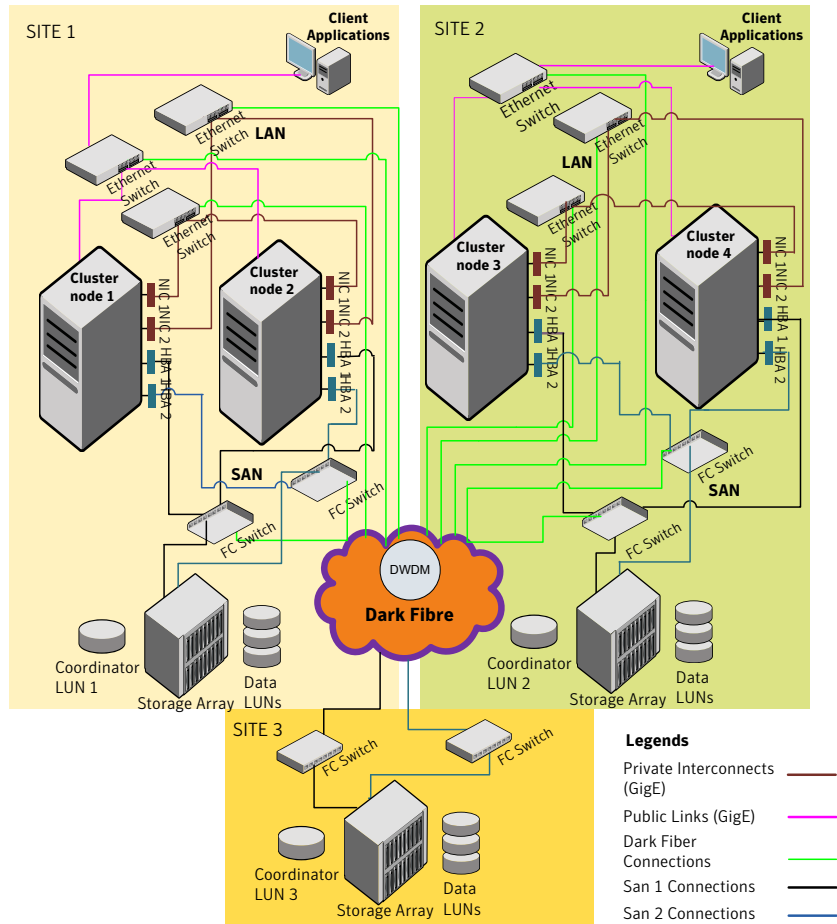
Task	Description
Prepare to set up campus cluster configuration	See the <i>Veritas Storage Foundation and High Availability Solutions Disaster Recovery Implementations Guide</i> .
Configure I/O fencing to prevent data corruption	See the <i>Veritas Storage Foundation and High Availability Solutions Disaster Recovery Implementations Guide</i> .
Prepare to install Oracle RAC Clusterware and database binaries	See the <i>Veritas Storage Foundation for Oracle RAC Installation and Configuration Guide</i> .
Prepare to install your database software.	See your database documentation.

**Table 27-1** Tasks for setting up a parallel campus cluster for disaster recovery  
*(continued)*

Task	Description
Configure VxVM disk groups for campus cluster	See the <i>Veritas Storage Foundation and High Availability Solutions Disaster Recovery Implementations Guide</i> .
Install Oracle RAC Clusterware and database binaries	For Oracle RAC, see the <i>Veritas Storage Foundation for Oracle RAC Installation and Configuration Guide</i> .  For SFCFS HA, see your database documentation.
Install your database software.	See your database documentation.
Configure VCS service groups	See the <i>Veritas Storage Foundation and High Availability Solutions Disaster Recovery Implementations Guide</i> .



Figure 27-1 Sample SF Oracle RAC configuration



Although a Coordination Point (CP) server is not used in the current example, it can also be used instead of a third site for a coordinator disk.

## About setting up a global cluster environment for SFCFSHA

Configuring a global cluster for environment with parallel clusters requires the coordination of many component setup tasks. The procedures provided here are guidelines. You will need this guide to install and configure SFCFSHA on each

cluster. Refer to the *Veritas Storage Foundation and High Availability Solutions Disaster Recovery Guide* to configure a global cluster environment and replication between the two clusters.

- Configure a SFCFSHA cluster at the primary site
- Configure an SFCFSHA cluster at the secondary site
- Configure a global cluster environment
- Test the HA/DR configuration

Upon successful testing, you can bring the environment into production

For global cluster configuration details:

See the *Veritas Storage Foundation and High Availability Solutions Disaster Recovery Guide*.

## About configuring a parallel global cluster using Veritas Volume Replicator (VVR) for replication

Configuring a global cluster for environment with SFCFSHA and Veritas Volume Replicator requires the coordination of many component setup tasks. The tasks listed below are guidelines.

Before configuring two clusters for global clustering, you must verify that:

- You have the correct installation options enabled for SFCFSHA, whether you are using keyless licensing or installing keys manually. You must have the GCO option for a global cluster and VVR enabled.  
Review SFCFSHA requirements and licensing information.
- Both clusters have SFCFSHA software installed and configured.

---

**Note:** You can install and configure both clusters at the same time, or you can configure the second cluster at a later time than the first.

---

You can use this guide to install and configure SFCFSHA on each cluster. For details for configuring a global cluster environment and replication between the the clusters using VVR:

See the *Veritas Storage Foundation and High Availability Solutions Disaster Recovery Implementation Guide*.

With two clusters installed and configured , you are ready to configure a global cluster environment using VVR. You must perform the following tasks to modify both cluster configurations to support replication in the global cluster environment.

**Table 27-2** Tasks for configuring a parallel global cluster with VVR

Task	Description
Setting up replication on the primary site	<ul style="list-style-type: none"> <li>■ Create the Storage Replicator Log (SRL) in the disk group for the database.</li> <li>■ Create the Replicated Volume Group (RVG) on the primary site.</li> </ul>
Setting up replication on the secondary site	<ul style="list-style-type: none"> <li>■ Create a disk group to hold the data volume, SRL, and RVG on the storage on the secondary site. You must match the names and sizes of these volumes with the names and sizes of the volumes on the primary site.</li> <li>■ Edit the /etc/vx/vras/.rdg file on the secondary site.</li> <li>■ Use resolvable virtual IP addresses that set network RLINK connections as host names of the primary and secondary sites.</li> <li>■ Create the replication objects on the secondary site.</li> </ul>
Starting replication of the database.	<p>You can use either of the following methods to start replication:</p> <ul style="list-style-type: none"> <li>■ Automatic synchronization</li> <li>■ Full synchronization with Storage Checkpoint</li> </ul>
Configuring VCS for replication on clusters at both sites.	<p>Configure Veritas Cluster Server (VCS) to provide high availability for the database:</p> <ul style="list-style-type: none"> <li>■ Modify the VCS configuration on the primary site</li> <li>■ Modify the VCS configuration on the secondary site</li> </ul>

Once the global clusters and replication with VVR are configured, the following replication use cases are supported for it:

- Migration of the role of the primary site to the remote site
- Takeover of the primary site role by the secondary site
- Migrate the role of primary site to the secondary site
- Migrate the role of new primary site back to the original primary site
- Take over after an outage
- Resynchronize after an outage
- Update the rlink to reflect changes

For details on the replication use cases:

See the *Veritas Storage Foundation and High Availability Solutions Disaster Recovery Implementation Guide*.

# Uninstallation of SFCFSHA

- [Chapter 28. Uninstalling Storage Foundation Cluster File System High Availability](#)
- [Chapter 29. Uninstalling using response files](#)

# Uninstalling Storage Foundation Cluster File System High Availability

This chapter includes the following topics:

- [Shutting down cluster operations](#)
- [Removing VxFS file systems](#)
- [Removing rootability](#)
- [Moving volumes to disk partitions](#)
- [Disabling the agents on a system](#)
- [Removing the Replicated Data Set](#)
- [Uninstalling SFCFSHA RPMs using the script-based installer](#)
- [Uninstalling SFCFSHA with the Veritas Web-based installer](#)
- [Removing license files \(Optional\)](#)
- [Removing the CP server configuration using the installer program](#)
- [Removing the Storage Foundation for Databases \(SFDB\) repository after removing the product](#)

## Shutting down cluster operations

If the systems are running as an HA cluster, you have to take all service groups offline and shutdown VCS.

**To take all service groups offline and shutdown VCS**

- ◆ Use the `hastop` command as follows:

```
# /opt/VRTSvcs/bin/hastop -all
```

---

**Warning:** Do not use the `-force` option when executing `hastop`. This will leave all service groups online and shut down VCS, causing undesired results during uninstallation of the RPMs.

---

## Removing VxFS file systems

The VxFS RPM cannot be removed if there are any mounted VxFS file systems. Unmount all VxFS file systems before removing the RPM. After you remove the VxFS RPM, VxFS file systems are not mountable or accessible until another VxFS RPM is installed. It is advisable to back up VxFS file systems before installing a new VxFS RPM. If VxFS will not be installed again, all VxFS file systems must be converted to a new file system type.

**To remove VxFS file systems**

- 1 Check if any VxFS file systems or Storage Checkpoints are mounted:

```
# df -T | grep vxfs
```

- 2 Make backups of all data on the file systems that you wish to preserve, or recreate them as non-VxFS file systems on non-VxVM volumes or partitions.
- 3 Unmount all Storage Checkpoints and file systems:

```
# umount /checkpoint_name  
# umount /filesystem
```

- 4 Comment out or remove any VxFS file system entries from the `/etc/fstab` file.

## Removing rootability

Perform this procedure if you configured rootability by encapsulating the root disk.

### To remove rootability

- 1 Check if the system's root disk is under VxVM control by running this command:

```
# df -v /
```

The root disk is under VxVM control if `/dev/vx/dsk/rootdg/rootvol` is listed as being mounted as the root (`/`) file system. If so, unmirror and unencapsulate the root disk as described in the following steps:

- 2 Use the `vxplex` command to remove all the plexes of the volumes `rootvol`, `swapvol`, `usr`, `var`, `opt` and `home` that are on disks other than the root disk.

For example, the following command removes the plexes `mirrootvol-01`, and `mirswapvol-01` that are configured on a disk other than the root disk:

```
# vxplex -o rm dis mirrootvol-01 mirswapvol-01
```

---

**Warning:** Do not remove the plexes that correspond to the original root disk partitions.

---

- 3 Enter the following command to convert all the encapsulated volumes in the root disk back to being accessible directly through disk partitions instead of through volume devices:

```
# /etc/vx/bin/vxunroot
```

Following the removal of encapsulation, the system is rebooted from the unencapsulated root disk.

## Moving volumes to disk partitions

All volumes must be moved to disk partitions.

This can be done using one of the following procedures:

- Back up the system fully onto tape and then recover from it.
- Back up each file system individually and then recover them all after creating new file systems on disk partitions.
- Use VxVM to move volumes incrementally onto disk partitions as described in the following section.

## Moving volumes onto disk partitions using VxVM

Use the following procedure to move volumes onto disk partitions.



**To move volumes onto disk partitions**

- 1 Evacuate disks using the `vxdiskadm` program, VEA, or the `vxevac` script. You should consider the amount of target disk space required for this before you begin.

Evacuation moves subdisks from the specified disks to target disks. The evacuated disks provide the initial free disk space for volumes to be moved to disk partitions.

- 2 Remove the evacuated disks from VxVM control using the following commands:

```
# vxdg -g diskgroup rmdisk disk _media_name  
# vxdisk rm disk_access_name
```

- 3 Decide which volume to move first. If the volume to be moved is mounted, unmount it.
- 4 If the volume is being used as a raw partition for database applications, make sure that the application is not updating the volume and that data on the volume is synced.
- 5 Create a partition on free disk space of the same size as the volume. If there is not enough free space for the partition, a new disk must be added to the system for the first volume removed. Subsequent volumes can use the free space generated by the removal of this volume.
- 6 Copy the data on the volume onto the newly created disk partition using a command similar to the following:

```
# dd if=/dev/vx/dsk/diskgroup/volume-name of=/dev/sdb2
```

where `sdb` is the disk outside of VxVM and `2` is the newly created partition on that disk.

- 7 Replace the entry for that volume (if present) in `/etc/fstab` with an entry for the newly created partition.
- 8 Mount the disk partition if the corresponding volume was previously mounted.
- 9 Stop the volume and remove it from VxVM using the following commands:

```
# vxvol -g diskgroup -f stop volume_name  
# vxedit -g diskgroup -rf rm volume_name
```

- 10 Remove any disks that have become free (have no subdisks defined on them) by removing volumes from VxVM control. To check if there are still some subdisks remaining on a particular disk, use the following command:

```
# vxprint -F "%sdnum" disk_media_name
```

- 11 If the output is not 0, there are still some subdisks on this disk that must be subsequently removed. If the output is 0, remove the disk from VxVM control using the following commands:

```
# vxdg -g diskgroup rmdisk disk_media_name  
# vxdisk rm disk_access_name
```

- 12 The free space now created can be used for adding the data in the next volume to be removed.
- 13 After all volumes have been converted into disk partitions successfully, reboot the system. After the reboot, none of the volumes should be open. To verify that none of the volumes are open, use the following command:

```
# vxprint -Aht -e v_open
```

- 14 If any volumes remain open, repeat the steps listed above.

## Disabling the agents on a system

This section explains how to disable a VCS agent for VVR on a system. To disable an agent, you must change the service group containing the resource type of the agent to an OFFLINE state. Then, you can stop the application or switch the application to another system.

### To disable the agents

- 1 Check whether any service group containing the resource type of the agent is online by typing the following command:

```
# hagrps -state service_group -sys system_name
```

If none of the service groups is online, skip to 3.

- 2 If the service group is online, take it offline.

To take the service group offline without bringing it online on any other system in the cluster, enter:

```
# hagrps -offline service_group -sys system_name
```

- 3 Stop the agent on the system by entering:

```
# haagent -stop agent_name -sys system_name
```

When you get the message Please look for messages in the log file, check the file `/var/VRTSvcs/log/engine_A.log` for a message confirming that each agent has stopped.

You can also use the `ps` command to confirm that the agent is stopped.

- 4 Remove the system from the `SystemList` of the service group. If you disable the agent on all the systems in the `SystemList`, you can also remove the service groups and resource types from the VCS configuration.

Read information on administering VCS from the command line.

Refer to the *Veritas Cluster Server User's Guide*.

## Removing the Replicated Data Set

If you use VVR, you need to perform the following steps. This section gives the steps to remove a Replicated Data Set (RDS) when the application is either active or stopped.

### To remove the Replicated Data Set

- 1 Verify that all RLINKs are up-to-date:

```
# vxrlink -g diskgroup status rlink_name
```

If the Secondary is not required to be up-to-date, proceed to [2](#) and stop replication using the `-f` option with the `vradmin stoprep` command.

- 2 Stop replication to the Secondary by issuing the following command on any host in the RDS:

The `vradmin stoprep` command fails if the Primary and Secondary RLINKs are not up-to-date. Use the `-f` option to stop replication to a Secondary even when the RLINKs are not up-to-date.

```
# vradmin -g diskgroup stoprep local_rvgname sec_hostname
```

The argument `local_rvgname` is the name of the RVG on the local host and represents its RDS.

The argument `sec_hostname` is the name of the Secondary host as displayed in the output of the `vradmin printrvg` command.

- 3 Remove the Secondary from the RDS by issuing the following command on any host in the RDS:

```
# vradmin -g diskgroup delsec local_rvgname sec_hostname
```

The argument `local_rvgname` is the name of the RVG on the local host and represents its RDS.

The argument `sec_hostname` is the name of the Secondary host as displayed in the output of the `vradmin printrvg` command.

- 4 Remove the Primary from the RDS by issuing the following command on the Primary:

```
# vradmin -g diskgroup delpri local_rvgname
```

When used with the `-f` option, the `vradmin delpri` command removes the Primary even when the application is running on the Primary.

The RDS is removed.

- 5 If you want to delete the SRLs from the Primary and Secondary hosts in the RDS, issue the following command on the Primary and all Secondaries:

```
# vxedit -r -g diskgroup rm srl_name
```

## Uninstalling SFCFSHA RPMs using the script-based installer

Use the following procedure to remove SFCFSHA products.

Not all RPMs may be installed on your system depending on the choices that you made when you installed the software.

---

**Note:** After you uninstall the product, you cannot access any file systems you created using the default disk layout version in SFCFSHA 6.0.1 with a previous version of SFCFSHA.

---

**To shut down and remove the installed SFCFSHA RPMs**

- 1 Comment out or remove any Veritas File System (VxFS) entries from the file system table `/etc/fstab`. Failing to remove these entries could result in system boot problems later.

- 2 Unmount all mount points for VxFS file systems.

```
# umount /mount_point
```

- 3 If the VxVM RPM (`VRTSvxvm`) is installed, read and follow the uninstallation procedures for VxVM.

- 4 Make sure you have performed all of the prerequisite steps.

- 5 In an HA configuration, stop VCS processes on either the local system or all systems.

To stop VCS processes on the local system:

```
# hastop -local
```

To stop VCS processes on all systems:

```
# hastop -all
```

- 6 Move to the `/opt/VRTS/install` directory and run the uninstall script.

```
# cd /opt/VRTS/install
```

```
# ./uninstallsfcfsha<version>
```

Where `<version>` is the specific release version.

Or, if you are using ssh or rsh, use one of the following:

```
■ # ./uninstallsfcfsha<version> -rsh
```

```
■ # ./uninstallsfcfsha<version> -ssh
```

See [“About the Veritas installer”](#) on page 42.

- 7 The uninstall script prompts for the system name. Enter one or more system names, separated by a space, from which to uninstall SFCFSHA, for example, `sys1`:

```
Enter the system names separated by spaces: [q?] sys1 sys2
```

- 8 The uninstall script prompts you to stop the product processes. If you respond yes, the processes are stopped and the RPMs are uninstalled.  
  
The uninstall script creates log files and displays the location of the log files.
- 9 Most RPMs have kernel components. In order to ensure complete removal, a system reboot is recommended after all RPMs have been removed.

## Uninstalling SFCFSHA with the Veritas Web-based installer

This section describes how to uninstall using the Veritas Web-based installer.

---

**Note:** After you uninstall the product, you cannot access any file systems you created using the default disk layout Version in SFCFSHA 6.0.1 with a previous version of SFCFSHA.

---

### To uninstall SFCFSHA

- 1 Perform the required steps to save any data that you wish to preserve. For example, take back-ups of configuration files.
- 2 Start the Web-based installer.  
  
See [“Starting the Veritas Web-based installer”](#) on page 140.
- 3 On the Select a task and a product page, select **Uninstall a Product** from the Task drop-down list.
- 4 Select **Storage Foundation Cluster File System High Availability** from the Product drop-down list, and click **Next**.
- 5 Indicate the systems on which to uninstall. Enter one or more system names, separated by spaces. Click **Next**.
- 6 After the validation completes successfully, click **Next** to uninstall SFCFSHA on the selected system.
- 7 If there are any processes running on the target system, the installer stops the processes. Click **Next**.
- 8 After the installer stops the processes, the installer removes the products from the specified system.  
  
Click **Next**.

- 9 After the uninstall completes, the installer displays the location of the summary, response, and log files. If required, view the files to confirm the status of the removal.
- 10 Click **Finish**.  
Most RPMs have kernel components. In order to ensure their complete removal, a system reboot is recommended after all the RPMs have been removed.

## Removing license files (Optional)

Optionally, you can remove the license files.

### To remove the VERITAS license files

- 1 To see what license key files you have installed on a system, enter:

```
# /sbin/vxlicrep
```

The output lists the license keys and information about their respective products.

- 2 Go to the directory containing the license key files and list them:

```
# cd /etc/vx/licenses/lic  
# ls -a
```

- 3 Using the output from step 1, identify and delete unwanted key files listed in step 2. Unwanted keys may be deleted by removing the license key file.

## Removing the CP server configuration using the installer program

This section describes how to remove the CP server configuration from a node or a cluster that hosts the CP server.

---

**Warning:** Ensure that no SFCFSHA cluster (application cluster) uses the CP server that you want to unconfigure.

---

**To remove the CP server configuration**

- 1 To run the configuration removal script, enter the following command on the node where you want to remove the CP server configuration:

```
root@cps1.symantecexample.com
# /opt/VRTS/install/installvcsversion -configcps
```

- 2 Select option 3 from the menu to unconfigure the CP server.

```
VERITAS COORDINATION POINT SERVER CONFIGURATION UTILITY
=====
```

Select one of the following:

- ```
[1] Configure Coordination Point Server on single node VCS system
[2] Configure Coordination Point Server on SFHA cluster
[3] Unconfigure Coordination Point Server
```

- 3 Review the warning message and confirm that you want to unconfigure the CP server.

```
WARNING: Unconfiguring Coordination Point Server stops the
vxcpserv process. VCS clusters using this server for
coordination purpose will have one less coordination point.
```

```
Are you sure you want to bring down the cp server? (y/n)
(Default:n) :y
```

- 4 Review the screen output as the script performs the following steps to remove the CP server configuration:
  - Stops the CP server
  - Removes the CP server from VCS configuration
  - Removes resource dependencies
  - Takes the the CP server service group (CPSSG) offline, if it is online
  - Removes the CPSSG service group from the VCS configuration
  - Successfully unconfigured the Veritas Coordination Point Server



The CP server database is not being deleted on the shared storage. It can be re-used if CP server is reconfigured on the cluster. The same database location can be specified during CP server configuration.

**5** Decide if you want to delete the CP server configuration file.

```
Do you want to delete the CP Server configuration file
(/etc/vxcps.conf) and log files
(in /var/VRTScps)? [y,n,q] (n) y
```

```
Deleting /etc/vxcps.conf and log files on sys1... Done
Deleting /etc/vxcps.conf and log files on sys2... Done
```

**6** Confirm if you want to send information about this installation to Symantec to help improve installation in the future.

```
Would you like to send the information about this installation
to Symantec to help improve installation in the future? [y,n,q,?] (y)
```

Upload completed successfully.

## Removing the Storage Foundation for Databases (SFDB) repository after removing the product

After removing the product, you can remove the SFDB repository file and any backups.

Removing the SFDB repository file disables the SFDB tools.

## To remove the SFDB repository

- 1 Identify the SFDB repositories created on the host.

```
# cat /var/vx/vxdba/rep_loc
```

Oracle:

```
{
  "sfae_rept_version" : 1,
  "oracle" : {
    "SFAEDB" : {
      "location" : "/data/sfaedb/.sfae",
      "old_location" : "",
      "alias" : [
        "sfaedb"
      ]
    }
  }
}
```

DB2:

```
{
  "db2" : {
    "db2inst1_sfaedb2" : {
      "location" : "/db2data/db2inst1/NODE0000/SQL00001/.sfae",
      "old_location" : "",
      "alias" : [
        "db2inst1_sfaedb2"
      ]
    }
  },
  "sfae_rept_version" : 1
}
```

- 2 Remove the directory identified by the `location` key.

Oracle:

```
# rm -rf /data/sfaedb/.sfae
```

DB2:

```
# rm -rf /db2data/db2inst1/NODE0000/SQL00001/.sfae
```

- 3 Remove the repository location file.

```
# rm -rf /var/vx/vxdba/rep_loc
```

This completes the removal of the SFDB repository.

# Uninstalling using response files

This chapter includes the following topics:

- [Uninstalling SFCFSHA using response files](#)
- [Response file variables to uninstall Veritas Storage Foundation Cluster File System High Availability](#)
- [Sample response file for Veritas Storage Foundation Cluster File System High Availability uninstallation](#)

## Uninstalling SFCFSHA using response files

Typically, you can use the response file that the installer generates after you perform SFCFSHA uninstallation on one cluster to uninstall SFCFSHA on other clusters.

### To perform an automated uninstallation

- 1 Make sure that you meet the prerequisites to uninstall SFCFSHA.
- 2 Copy the response file to the system where you want to uninstall SFCFSHA.
- 3 Edit the values of the response file variables as necessary.

- 4 Start the uninstallation from the system to which you copied the response file. For example:

```
# /opt/VRTS/install/uninstallsfcfsha<version>
  -responsefile /tmp/response_file
```

Where *<version>* is the specific release version, and */tmp/response\_file* is the response file's full path name.

See [“About the Veritas installer”](#) on page 42.

## Response file variables to uninstall Veritas Storage Foundation Cluster File System High Availability

[Table 29-1](#) lists the response file variables that you can define to configure SFCFSHA.

**Table 29-1** Response file variables for uninstalling SFCFSHA

| Variable          | Description                                                                                                                                                                                                                                       |
|-------------------|---------------------------------------------------------------------------------------------------------------------------------------------------------------------------------------------------------------------------------------------------|
| CFG{systems}      | List of systems on which the product is to be installed or uninstalled.<br><br>List or scalar: list<br><br>Optional or required: required                                                                                                         |
| CFG{prod}         | Defines the product to be installed or uninstalled.<br><br>List or scalar: scalar<br><br>Optional or required: required                                                                                                                           |
| CFG{opt}{keyfile} | Defines the location of an ssh keyfile that is used to communicate with all remote systems.<br><br>List or scalar: scalar<br><br>Optional or required: optional                                                                                   |
| CFG{opt}{tmppath} | Defines the location where a working directory is created to store temporary files and the RPMs that are needed during the install. The default location is <i>/var/tmp</i> .<br><br>List or scalar: scalar<br><br>Optional or required: optional |

**Table 29-1** Response file variables for uninstalling SFCFSHA (*continued*)

| Variable            | Description                                                                                                                                                             |
|---------------------|-------------------------------------------------------------------------------------------------------------------------------------------------------------------------|
| CFG{opt}{logpath}   | Mentions the location where the log files are to be copied. The default location is /opt/VRTS/install/logs.<br>List or scalar: scalar<br>Optional or required: optional |
| CFG{opt}{uninstall} | Uninstalls SFCFSHA RPMs.<br>List or scalar: scalar<br>Optional or required: optional                                                                                    |

## Sample response file for Veritas Storage Foundation Cluster File System High Availability uninstallation

The following example shows a response file for uninstalling Veritas Storage Foundation Cluster File System High Availability.

```
our %CFG;

$CFG{opt}{redirect}=1;
$CFG{opt}{uninstall}=1;
$CFG{prod}="SFCFSHA60";
$CFG{systems}=[ qw(sol90118 sol90119) ];

1;
```

# Adding and removing nodes

- [Chapter 30. Adding a node to SFCFSHA clusters](#)
- [Chapter 31. Removing a node from SFCFSHA clusters](#)

# Adding a node to SFCFSHA clusters

This chapter includes the following topics:

- [About adding a node to a cluster](#)
- [Before adding a node to a cluster](#)
- [Adding a node to a cluster using the SFCFSHA installer](#)
- [Adding a node using the Web-based installer](#)
- [Adding the node to a cluster manually](#)
- [Configuring server-based fencing on the new node](#)
- [Updating the Storage Foundation for Databases \(SFDB\) repository after adding a node](#)
- [Sample configuration file for adding a node to the cluster](#)

## About adding a node to a cluster

After you install SFCFSHA and create a cluster, you can add and remove nodes from the cluster. You can create clusters of up to 64 nodes.

You can add a node:

- Using the product installer
- Using the Web installer
- Manually



The following table provides a summary of the tasks required to add a node to an existing SFCFSHA cluster.

**Table 30-1** Tasks for adding a node to a cluster

| Step                                                                                                         | Description                                                                                                                                                                                                                                             |
|--------------------------------------------------------------------------------------------------------------|---------------------------------------------------------------------------------------------------------------------------------------------------------------------------------------------------------------------------------------------------------|
| Complete the prerequisites and preparatory tasks before adding a node to the cluster.                        | See <a href="#">“Before adding a node to a cluster”</a> on page 329.                                                                                                                                                                                    |
| Add a new node to the cluster.                                                                               | See <a href="#">“Adding a node to a cluster using the SFCFSHA installer”</a> on page 332.<br>See <a href="#">“Adding a node using the Web-based installer”</a> on page 335.<br>See <a href="#">“Adding the node to a cluster manually”</a> on page 336. |
| Complete the configuration of the new node after adding it to the cluster.                                   | See <a href="#">“Configuring Cluster Volume Manager (CVM) and Cluster File System (CFS) on the new node”</a> on page 343.                                                                                                                               |
| If you are using the Storage Foundation for Databases (SFDB) tools, you must update the repository database. | See <a href="#">“Updating the Storage Foundation for Databases (SFDB) repository after adding a node”</a> on page 347.                                                                                                                                  |

The example procedures describe how to add a node to an existing cluster with two nodes.

## Before adding a node to a cluster

Before preparing to add the node to an existing SFCFSHA cluster, perform the required preparations.

- Verify hardware and software requirements are met.
- Set up the hardware.
- Prepare the new node.

### To verify hardware and software requirements are met

- 1 Review hardware and software requirements for SFCFSHA.  
See [“Assessing the system for installation readiness”](#) on page 60.
- 2 Verify the new system has the same identical operating system versions and patch levels as that of the existing cluster

- 3 Verify the existing cluster is an SFCFSHA cluster and that SFCFSHA is running on the cluster.
- 4 If the cluster is upgraded from the previous version, you must check the cluster protocol version to make sure it has the same version as the node to be added. If there is a protocol mismatch, the node is unable to join the existing cluster.

Check the cluster protocol version using:

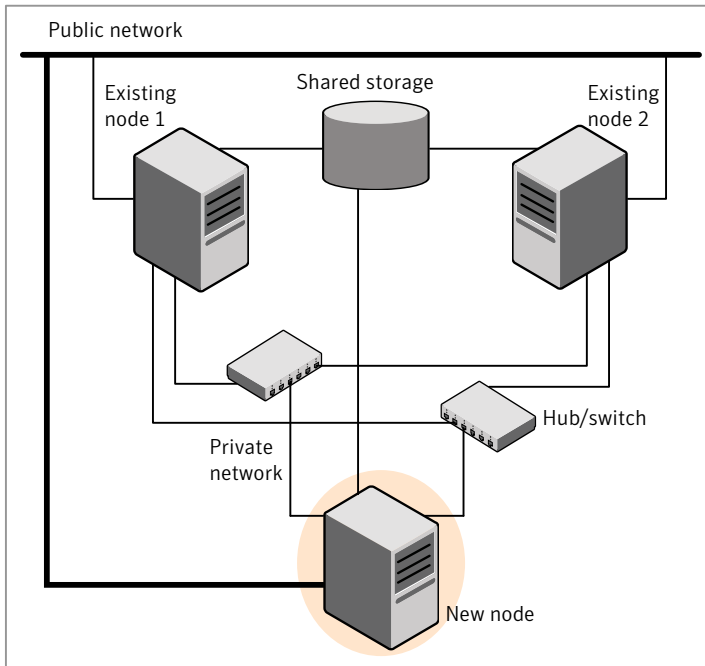
```
# vxctl protocolversion
Cluster running at protocol 120
```

- 5 If the cluster protocol on the master node is below 120, upgrade it using:

```
# vxctl upgrade [version]
```

Before you configure a new system on an existing cluster, you must physically add the system to the cluster as illustrated in [Figure 30-1](#).

**Figure 30-1** Adding a node to a two-node cluster using two switches



**To set up the hardware**

- 1 Connect the SFCFSHA private Ethernet controllers.

Perform the following tasks as necessary:

- When you add nodes to a cluster, use independent switches or hubs for the private network connections. You can only use crossover cables for a two-node cluster, so you might have to swap out the cable for a switch or hub.
- If you already use independent hubs, connect the two Ethernet controllers on the new node to the independent hubs.

Figure 30-1 illustrates a new node being added to an existing two-node cluster using two independent hubs.

- 2 Make sure that you meet the following requirements:
  - The node must be connected to the same shared storage devices as the existing nodes.
  - The node must have private network connections to two independent switches for the cluster.  
For more information, see the *Veritas Cluster Server Installation Guide*.
  - The network interface names used for the private interconnects on the new node must be the same as that of the existing nodes in the cluster.

Complete the following preparatory steps on the new node before you add it to an existing SFCFSHA cluster.

#### To prepare the new node

- 1 Verify that the new node meets installation requirements.

```
# ./installsfcfsha -precheck
```

You can also use the Web-based installer for the precheck.

- 2 Install SFCFSHA on the new system. Make sure all the VRTS RPMs available on the existing nodes are also available on the new node.

```
# cd /opt/VRTS/install
```

```
# ./installsfcfsha<version>
```

Where *<version>* is the specific release version.

Do not configure SFCFSHA when prompted.

- 3 You can restart the new node after installation is complete. Configure the new node using the configuration from the existing cluster nodes.

See “[About installation and configuration methods](#)” on page 40.

# Adding a node to a cluster using the SFCFSHA installer

You can add a node to a cluster using the `-addnode` option with the SFCFSHA installer.

The SFCFSHA installer performs the following tasks:

- Verifies that the node and the existing cluster meet communication requirements.
- Verifies the products and RPMs installed but not configured on the new node.
- Discovers the network interfaces on the new node and checks the interface settings.

- Creates the following files on the new node:

```
/etc/llttab  
/etc/VRTSvcs/conf/sysname
```

- Copies the following files on the new node:

```
/etc/llthosts  
/etc/gabtab  
/etc/VRTSvcs/conf/config/main.cf
```

- Copies the following files from the existing cluster to the new node:

```
/etc/vxfenmode  
/etc/vxfendg  
/etc/vcsmmtab  
/etc/vx/.uuids/clusuuid  
/etc/sysconfig/llt  
/etc/sysconfig/gab  
/etc/sysconfig/vxfen
```

- Generate security credentials on the new node if the CPS server of existing cluster is secure
- Configures disk-based or server-based fencing depending on the fencing mode in use on the existing cluster.
- Adds the new node to the CVM, ClusterService, and VxSS service groups in the VCS configuration.

---

**Note:** For other service groups configured under VCS, update the configuration for the new node manually.

---

- Starts SFCFSHA processes and configures CVM and CFS on the new node.

At the end of the process, the new node joins the SFCFSHA cluster.

---

**Note:** If you have configured server-based fencing on the existing cluster, make sure that the CP server does not contain entries for the new node. If the CP server already contains entries for the new node, remove these entries before adding the node to the cluster, otherwise the process may fail with an error.

---

### To add the node to an existing cluster using the installer

- 1 Log in as the root user on one of the nodes of the existing cluster.
- 2 Run the SFCFSHA installer with the `-addnode` option.

```
# cd /opt/VRTS/install  
  
# ./installsfcfsha<version> -addnode
```

Where `<version>` is the specific release version.

See [“About the Veritas installer”](#) on page 42.

The installer displays the copyright message and the location where it stores the temporary installation logs.

- 3 Enter the name of a node in the existing SFCFSHA cluster.

The installer uses the node information to identify the existing cluster.

```
Enter one node of the SFCFSHA cluster to which  
you would like to add one or more new nodes: sys1
```

- 4 Review and confirm the cluster information.
- 5 Enter the name of the systems that you want to add as new nodes to the cluster.

```
Enter the system names separated by spaces  
to add to the cluster: sys5
```

Confirm if the installer prompts if you want to add the node to the cluster.

The installer checks the installed products and RPMs on the nodes and discovers the network interfaces.

- 6 Enter the name of the network interface that you want to configure as the first private heartbeat link.

---

**Note:** The network interface names used for the private interconnects on the new node must be the same as that of the existing nodes in the cluster. The LLT configuration for the new node must be the same as that of the existing cluster.

---

```
Enter the NIC for the first private heartbeat
link on sys5: [b,q,?] eth1
```

```
Enter the NIC for the second private heartbeat
link on sys5: [b,q,?] eth2
```

---

**Note:** At least two private heartbeat links must be configured for high availability of the cluster.

---

- 7 Depending on the number of LLT links configured in the existing cluster, configure additional private heartbeat links for the new node.  
 The installer verifies the network interface settings and displays the information.
- 8 Review and confirm the information.
- 9 If you have configured SMTP, SNMP, or the global cluster option in the existing cluster, you are prompted for the NIC information for the new node.

```
Enter the NIC for VCS to use on sys5: eth3
```

```
SFCFSHA is configured on the cluster. Do you want to
configure it on the new node(s)? [y,n,q] (y) n
```

- 10 The installer prompts you with an option to mount the shared volumes on the new node. Select **y** to mount them.  
 When completed, the installer confirms the volumes are mounted. The installer indicates the location of the log file, summary file, and response file with details of the actions performed.

- 11 If the existing cluster uses server-based fencing in secure mode, the installer will configure server-based fencing in secure mode on the new nodes.

The installer then starts all the required Veritas processes and joins the new node to cluster.

The installer indicates the location of the log file, summary file, and response file with details of the actions performed.

- 12 Confirm that the new node has joined the SFCFSHA cluster using `lltstat -n` and `gabconfig -a` commands.

If the new node has not joined the cluster, verify if it has been added to the SystemList.

## Adding a node using the Web-based installer

You can use the Web-based installer to add a node to a cluster.

### To add a node to a cluster using the Web-based installer

- 1 From the Task pull-down menu, select **Add a Cluster node**.

From the product pull-down menu, select the product.

Click the **Next** button.

- 2 Click **OK** to confirm the prerequisites to add a node.

- 3 In the System Names field enter a name of a node in the cluster where you plan to add the node and click **OK**.

The installer program checks inter-system communications and compatibility. If the node fails any of the checks, review the error and fix the issue.

If prompted, review the cluster's name, ID, and its systems. Click the **Yes** button to proceed.

- 4 In the System Names field, enter the names of the systems that you want to add to the cluster as nodes. Separate system names with spaces. Click the **Next** button.

The installer program checks inter-system communications and compatibility. If the system fails any of the checks, review the error and fix the issue.

Click the **Next** button. If prompted, click the **Yes** button to add the system and to proceed.

- 5 From the heartbeat NIC pull-down menus, select the heartbeat NICs for the cluster. Click the **Next** button.
- 6 Once the addition is complete, review the log files. Optionally send installation information to Symantec. Click the **Finish** button to complete the node's addition to the cluster.

## Adding the node to a cluster manually

Perform this procedure after you install SFCFSHA only if you plan to add the node to the cluster manually.

**Table 30-2** Procedures for adding a node to a cluster manually

| Step                                                                                                                                                                                                                             | Description                                                                                                               |
|----------------------------------------------------------------------------------------------------------------------------------------------------------------------------------------------------------------------------------|---------------------------------------------------------------------------------------------------------------------------|
| Start the Veritas Volume Manager (VxVM) on the new node.                                                                                                                                                                         | See <a href="#">“Starting Veritas Volume Manager (VxVM) on the new node”</a> on page 337.                                 |
| Configure the cluster processes on the new node.                                                                                                                                                                                 | See <a href="#">“Configuring cluster processes on the new node”</a> on page 337.                                          |
| If the CPS server of existing cluster is secure, generate security credentials on the new node.                                                                                                                                  | See <a href="#">“Setting up the node to run in secure mode”</a> on page 339.                                              |
| Configure fencing for the new node to match the fencing configuration on the existing cluster.<br><br>If the existing cluster is configured to use server-based I/O fencing, configure server-based I/O fencing on the new node. | See <a href="#">“Starting fencing on the new node”</a> on page 342.                                                       |
| Start VCS.                                                                                                                                                                                                                       | See <a href="#">“To start VCS on the new node”</a> on page 343.                                                           |
| Configure CVM and CFS.                                                                                                                                                                                                           | See <a href="#">“Configuring Cluster Volume Manager (CVM) and Cluster File System (CFS) on the new node”</a> on page 343. |
| If the ClusterService group is configured on the existing cluster, add the node to the group.                                                                                                                                    | See <a href="#">“Configuring the ClusterService group for the new node”</a> on page 344.                                  |



## Starting Veritas Volume Manager (VxVM) on the new node

Veritas Volume Manager (VxVM) uses license keys to control access. As you run the `vxinstall` utility, answer **n** to prompts about licensing. You installed the appropriate license when you ran the `installsfcfsha` program.

### To start VxVM on the new node

- 1 To start VxVM on the new node, use the `vxinstall` utility:

```
# vxinstall
```

- 2 Enter **n** when prompted to set up a system wide disk group for the system. The installation completes.
- 3 Verify that the daemons are up and running. Enter the command:

```
# vxdisk list
```

Make sure the output displays the shared disks without errors.

## Configuring cluster processes on the new node

Perform the steps in the following procedure to configure cluster processes on the new node.

- 1 For Red Hat Linux, modify the file `/etc/sysctl.conf` on the new system to set the shared memory and other parameter required by your application; refer to the your application documentation for details. The value of the shared memory parameter is put to effect when the system restarts.

Do not apply for SUSE Linux.

- 2 Edit the `/etc/llthosts` file on the existing nodes. Using `vi` or another text editor, add the line for the new node to the file. The file resembles:

```
0 sys1
1 sys2
2 sys5
```

- 3 Copy the `/etc/llthosts` file from one of the existing systems over to the new system. The `/etc/llthosts` file must be identical on all nodes in the cluster.

- 4 Create an `/etc/llttab` file on the new system. For example:

```
set-node sys5
set-cluster 101

link eth1 eth-[MACID for eth1] - ether - -
link eth2 eth-[MACID for eth2] - ether - -
```

Except for the first line that refers to the node, the file resembles the `/etc/llttab` files on the existing nodes. The second line, the cluster ID, must be the same as in the existing nodes.

- 5 Use `vi` or another text editor to create the file `/etc/gabtab` on the new node. This file must contain a line that resembles the following example:

```
/sbin/gabconfig -c -nN
```

Where `N` represents the number of systems in the cluster including the new node. For a three-system cluster, `N` would equal 3.

- 6 Edit the `/etc/gabtab` file on each of the existing systems, changing the content to match the file on the new system.
- 7 Use `vi` or another text editor to create the file `/etc/VRTSvcs/conf/sysname` on the new node. This file must contain the name of the new node added to the cluster.

For example:

```
sys5
```

- 8 Create the Unique Universal Identifier file `/etc/vx/.uuids/clusuuid` on the new node:

```
# /opt/VRTSvcs/bin/uuidconfig.pl -rsh -clus -copy \  
-from_sys sys1 -to_sys sys5
```

- 9 Start the LLT, GAB, and ODM drivers on the new node:

```
# /etc/init.d/llt start

# /etc/init.d/gab start

# /etc/init.d/odm restart
```

10 On the new node, verify that the GAB port memberships are a and d:

```
# gabconfig -a
GAB Port Memberships
=====
Port a gen df204 membership 012
Port b gen df20a membership 012
Port d gen df207 membership 012
```

## Setting up the node to run in secure mode

You must follow this procedure only if you are adding a node to a cluster that is running in secure mode. If you are adding a node to a cluster that is not running in a secure mode, proceed with configuring LLT and GAB.

[Table 30-3](#) uses the following information for the following command examples.

**Table 30-3** The command examples definitions

| Name | Fully-qualified host name (FQHN) | Function                                         |
|------|----------------------------------|--------------------------------------------------|
| sys5 | sys5.nodes.example.com           | The new node that you are adding to the cluster. |

## Configuring the authentication broker on node sys5

To configure the authentication broker on node sys5

- 1 Extract the embedded authentication files and copy them to temporary directory:

```
# mkdir -p /var/VRTSvcs/vcsauth/bkup  
# cd /tmp; gunzip -c /opt/VRTSvcs/bin/VxAT.tar.gz | tar xvf -
```

- 2 Edit the setup file manually:

```
# cat /etc/vx/.uuids/clusuuid 2>&1
```

The output is a string denoting the UUID. This UUID (without { and }) is used as the ClusterName for the setup file.

```
{UUID}
```

```
# cat /tmp/eat_setup 2>&1
```

The file content must resemble the following example:

```
AcceptorMode=IP_ONLY  
  
BrokerExeName=vcsauthserver  
  
ClusterName=UUID  
  
DataDir=/var/VRTSvcs/vcsauth/data/VCSAUTHSERVER  
  
DestDir=/opt/VRTSvcs/bin/vcsauth/vcsauthserver  
  
FipsMode=0  
  
IPPort=14149  
  
RootBrokerName=vcsroot_uuid  
  
SetToRBPlusABorNot=0  
  
SetupPDRs=1  
  
SourceDir=/tmp/VxAT/version
```

3 Set up the embedded authentication file:

```
# cd /tmp/VxAT/version/bin/edition_number; \  
./broker_setup.sh/tmp/eat_setup  
  
# /opt/VRTSvcs/bin/vcsauth/vcsauthserver/bin/vssregctl -s -f \  
/var/VRTSvcs/vcsauth/data/VCSAUTHSERVER/root/.VRTSat/profile \  
/VRTSatlocal.conf -b 'Security\Authentication \  
\Authentication Broker' -k UpdatedDebugLogFileName \  
-v /var/VRTSvcs/log/vcsauthserver.log -t string
```

4 Copy the broker credentials from one node in the cluster to sys5 by copying the entire `bkup` directory.

The `bkup` directory content resembles the following example:

```
# cd /var/VRTSvcs/vcsauth/bkup/  
  
# ls  
  
CMDSERVER  CPSADM  CPSEVER  HAD  VCS_SERVICES  WAC
```

5 Import the `VCS_SERVICES` domain.

```
# /opt/VRTSvcs/bin/vcsauth/vcsauthserver/bin/atutil import -z \  
/var/VRTSvcs/vcsauth/data/VCSAUTHSERVER -f /var/VRTSvcs/vcsauth/bkup \  
/VCS_SERVICES -p password
```

6 Import the credentials for `HAD`, `CMDSERVER`, `CPSADM`, `CPSEVER`, and `WAC`.

```
# /opt/VRTSvcs/bin/vcsauth/vcsauthserver/bin/atutil import -z \  
/var/VRTSvcs/vcsauth/data/VCS_SERVICES -f /var/VRTSvcs/vcsauth/bkup \  
/HAD -p password
```

7 Start the `vcsauthserver` process on `sys5`.

```
# /opt/VRTSvcs/bin/vcsauth/vcsauthserver/bin/vcsauthserver.sh
```

**8** Perform the following tasks:

```
# mkdir /var/VRTSvcs/vcsauth/data/CLIENT
# mkdir /var/VRTSvcs/vcsauth/data/TRUST
# export EAT_DATA_DIR='/var/VRTSvcs/vcsauth/data/TRUST'
# /opt/VRTSvcs/bin/vcsauth/vcsauthserver/bin/vssat setuptrust -b \
localhost:14149 -s high
```

**9** Create the `/etc/VRTSvcs/conf/config/.secure` file:

```
# touch /etc/VRTSvcs/conf/config/.secure
```

## Starting fencing on the new node

Perform the following steps to start fencing on the new node.

**To start fencing on the new node**

- 1** For disk-based fencing on at least one node, copy the following files from one of the nodes in the existing cluster to the new node:

```
/etc/sysconfig/vxfen
/etc/vxfendg
/etc/vxfenmode
```

If you are using pure CP server-based fencing on the existing cluster, then only the `/etc/vxfenmode` file needs to be copied on the new node.

- 2** Start fencing on the new node:
- 3** On the new node, verify that the GAB port memberships are a, b, and d:

```
# gabconfig -a
```

```
GAB Port Memberships
```

```
=====
Port a gen      df204 membership 012
Port b gen      df20d membership 012
Port d gen      df20a membership 012
```

## After adding the new node

Start VCS on the new node.

**To start VCS on the new node**

- 1 Start VCS on the new node:

```
# hastart
```

VCS brings the CVM group online.

- 2 Verify that the CVM group is online:

```
# hagrps -state
```

## Configuring Cluster Volume Manager (CVM) and Cluster File System (CFS) on the new node

Modify the existing cluster configuration to configure Cluster Volume Manager (CVM) and Cluster File System (CFS) for the new node.

**To configure CVM and CFS on the new node**

- 1 Make a backup copy of the main.cf file on the existing node, if not backed up in previous procedures. For example:

```
# cd /etc/VRTSvcs/conf/config  
# cp main.cf main.cf.2node
```

- 2 On one of the nodes in the existing cluster, set the cluster configuration to read-write mode:

```
# haconf -makerw
```

- 3 Add the new node to the VCS configuration, if not already added:

```
# hasys -add sys5
```

- 4 To enable the existing cluster to recognize the new node, run the following commands on one of the existing nodes:

```
# hagrps -modify cvm SystemList -add sys5 2  
# hagrps -modify cvm AutoStartList -add sys5  
# hares -modify cvm_clus CVMNodeId -add sys5 2  
# haconf -dump -makero  
# /etc/vx/bin/vxclustadm -m vcs reinit  
# /etc/vx/bin/vxclustadm nidmap
```

- 5 On the remaining nodes of the existing cluster, run the following commands:

```
# /etc/vx/bin/vxclustadm -m vcs reinit
# /etc/vx/bin/vxclustadm nidmap
```

- 6 Copy the configuration files from one of the nodes in the existing cluster to the new node:

```
# rcp /etc/VRTSvcs/conf/config/main.cf \
sys5:/etc/VRTSvcs/conf/config/main.cf
# rcp /etc/VRTSvcs/conf/config/CFSTypes.cf \
sys5:/etc/VRTSvcs/conf/config/CFSTypes.cf
# rcp /etc/VRTSvcs/conf/config/CVMTypes.cf \
sys5:/etc/VRTSvcs/conf/config/CVMTypes.cf
```

- 7 The `/etc/vx/tunefstab` file sets non-default tunables for local-mounted and cluster-mounted file systems.

If you have configured a `/etc/vx/tunefstab` file to tune cluster-mounted file systems on any of the existing cluster nodes, you may want the new node to adopt some or all of the same tunables.

To adopt some or all tunables, review the contents of the file, and copy either the file, or the portions desired, into the `/etc/vx/tunefstab` file on the new cluster node.

## Configuring the ClusterService group for the new node

If the ClusterService group is configured on the existing cluster, add the node to the group by performing the steps in the following procedure on one of the nodes in the existing cluster.

### To configure the ClusterService group for the new node

- 1 On an existing node, for example `sys1`, write-enable the configuration:

```
# haconf -makerw
```

- 2 Add the node `sys5` to the existing ClusterService group.

```
# hagrps -modify ClusterService SystemList -add sys5 2
# hagrps -modify ClusterService AutoStartList -add sys5
```



- 3 Modify the IP address and NIC resource in the existing group for the new node.

```
# hares -modify gcoip Device eth0 -sys sys5  
  
# hares -modify gconic Device eth0 -sys sys5
```

- 4 Save the configuration by running the following command from any node.

```
# haconf -dump -makero
```

## Configuring server-based fencing on the new node

This section describes the procedures to configure server-based fencing on a new node. Depending on whether server-based fencing is configured in secure or non-secure mode on the existing cluster, perform the tasks in one of the following procedures:

- Server-based fencing in non-secure mode:  
[To configure server-based fencing in non-secure mode on the new node](#)
- Server-based fencing in secure mode:  
[To configure server-based fencing with security on the new node](#)

### To configure server-based fencing in non-secure mode on the new node

- 1 Log in to each CP server as the root user.
- 2 Update each CP server configuration with the new node information:

```
# cpsadm -s cps1.symantecexample.com \  
-a add_node -c clus1 -h sys5 -n2
```

```
Node 2 (sys5) successfully added
```

- 3 Verify that the new node is added to the CP server configuration:

```
# cpsadm -s cps1.symantecexample.com \  
-a list_nodes
```

The new node must be listed in the command output.

- 4 Add the VCS user cpsclient@sys5 to each CP server:

```
# cpsadm -s cps1.symantecexample.com \  
-a add_user -e cpsclient@sys5 \  
-f cps_operator -g vx
```

User cpsclient@sys5 successfully added

#### To configure server-based fencing with security on the new node

- 1 Log in to each CP server as the root user.
- 2 Update each CP server configuration with the new node information:

```
# cpsadm -s cps1.symantecexample.com \  
-a add_node -c clus1 -h sys5 -n2
```

Node 2 (sys5) successfully added

- 3 Verify that the new node is added to the CP server configuration:

```
# cpsadm -s cps1.symantecexample.com -a list_nodes
```

The new node must be listed in the output.

## Adding the new node to the vxfen service group

Perform the steps in the following procedure to add the new node to the vxfen service group.

## Updating the Storage Foundation for Databases (SFDB) repository after adding a node

**To add the new node to the vxfen group using the CLI**

- 1 On one of the nodes in the existing SFCFSHA cluster, set the cluster configuration to read-write mode:

```
# haconf -makerw
```

- 2 Add the node sys5 to the existing vxfen group.

```
# hagrps -modify vxfen SystemList -add sys5 2
```

- 3 Save the configuration by running the following command from any node in the SFCFSHA cluster:

```
# haconf -dump -makero
```

## Updating the Storage Foundation for Databases (SFDB) repository after adding a node

If you are using Database Storage Checkpoints, Database FlashSnap, or SmartTier for Oracle in your configuration, update the SFDB repository to enable access for the new node after it is added to the cluster.

**To update the SFDB repository after adding a node**

- 1 Copy the `/var/vx/vxdba/rep_loc` file from one of the nodes in the cluster to the new node.
- 2 If the `/var/vx/vxdba/auth/user-authorizations` file exists on the existing cluster nodes, copy it to the new node.

If the `/var/vx/vxdba/auth/user-authorizations` file does not exist on any of the existing cluster nodes, no action is required.

This completes the addition of the new node to the SFDB repository.

For information on using SFDB tools features:

See *Veritas Storage Foundation: Storage and Availability Management for Oracle Databases*

See *Veritas Storage Foundation: Storage and Availability Management for DB2 Databases*

# Sample configuration file for adding a node to the cluster

You may use this sample file as reference information to understand the configuration changes that take place when you add a node to a cluster.

The existing sample configuration before adding the node `sys5` is as follows:

- The existing cluster `clus1` comprises two nodes `sys1` and `sys2` and hosts a single database.
- The Oracle database is stored on CFS.
- The database is managed by the VCS agent for Oracle. The agent starts, stops, and monitors the database.
- Only one private IP address is configured for Oracle Clusterware. The private IP address is managed by the PrivNIC agent for high availability.
- The Oracle Cluster Registry (OCR) and voting disk are stored on CFS.

The following sample configuration file shows the changes (in **bold**) effected in the configuration after adding a node "sys5" to the cluster.

```
include "types.cf"
include "CFSTypes.cf"
include "CVMTypes.cf"
include "OracleTypes.cf"
include "PrivNIC.cf"

cluster clus1 (
    UserNames = { admin = bopHo }
    Administrators = { admin }
    UseFence = SCSI3
)

system clus1 (
)
system sys2 (
)
system sys5 (
)
```

---

**Note:** In the following group `oradb1_grp`, the `sys5` node has been added.

---

```
group oradb1_grp (
    SystemList = { clus1 = 0, sys2 = 1, sys5 = 2 }
    AutoFailOver = 0
    Parallel = 1
    AutoStartList = { clus1, sys2, sys5 }
)
```

---

**Note:** In the following Oracle resource, the `sys5` node information has been added.

---

```
Oracle oral (
    Critical = 0
    Sid @clus1 = vrts1
    Sid @sys2 = vrts2
    Sid @sys5 = vrts3
    Owner = oracle
    Home = "/app/oracle/orahome"
    StartUpOpt = "SRVCTLSTART"
    ShutDownOpt = "SRVCTLSTOP"
)

CFSMount oradata_mnt (
    Critical = 0
    MountPoint = "/oradata"
    BlockDevice = "/dev/vx/dsk/oradatadg/oradatavol"
)

CVMVolDg oradata_voldg (
    Critical = 0
    CVMDiskGroup = oradatadg
    CVMVolume = { oradatavol }
    CVMActivation = sw
)

requires group cvm online local firm
oral requires oradata_mnt
oradata_mnt requires oradata_voldg
```

---

**Note:** In the following CVM and CVMCluster resources, the `sys5` node information has been added.

---

```

group cvm (
    SystemList = { clus1 = 0, sys2 = 1, sys5 =2}
    AutoFailOver = 0
    Parallel = 1
    AutoStartList = { clus1, sys2, sys5 }
)

Application cssd (
    Critical = 0
    StartProgram = "/opt/VRTSvcs/rac/bin/cssd-online"
    StopProgram = "/opt/VRTSvcs/rac/bin/cssd-offline"
    CleanProgram = "/opt/VRTSvcs/rac/bin/cssd-clean"
    MonitorProgram = "/opt/VRTSvcs/rac/bin/cssd-monitor"
    OnlineRetryLimit = 20
)

CFSSMount ocrvote_mnt (
    Critical = 0
    MountPoint = "/ocrvote"
    BlockDevice = "/dev/vx/dsk/ocrvotedg/ocrvotevol"
    MountOpt= "mincache=direct"
)

CVMVolDg ocrvote_voldg (
    Critical = 0
    CVMDiskGroup = ocrvotedg
    CVMVolume = { ocrvotevol }
    CVMActivation = sw
)

CFSfsckd vxfsckd (
)

CVMCluster cvm_clus (
    CVMClustName = clus1
    CVMNodeId = { clus1 = 0, sys2 = 1, sys5 =2 }
    CVMTransport = gab
    CVMTimeout = 200
)

```

```
CVMVxconfigd cvm_vxconfigd (
    Critical = 0
    CVMVxconfigdArgs = { syslog }
)
```

---

**Note:** In the following PrivNIC resource, the sys5 node information has been added.

---

```
PrivNIC ora_priv (
    Critical = 0
    Device@clus1 = { eth1 = 0, eth2 = 1}
    Device@sys2 = { eth1 = 0, eth2 = 1}
    Device@sys5 = { eth1 = 0, eth2 = 1}
    Address@clus1 = "192.168.12.1"
    Address@sys2 = "192.168.12.2"
    Address@sys5 = "192.168.12.5"
    NetMask = "255.255.255.0"
)
```

```
cssd requires ocrvote_mnt
cssd requires ora_priv
ocrvote_mnt requires ocrvote_voldg
ocrvote_mnt requires vxfsckd
ocrvote_voldg requires cvm_clus
vxfsckd requires cvm_clus
cvm_clus requires cvm_vxconfigd
```

# Removing a node from SFCFSHA clusters

This chapter includes the following topics:

- [About removing a node from a cluster](#)
- [Removing a node from a cluster](#)
- [Modifying the VCS configuration files on existing nodes](#)
- [Modifying the Cluster Volume Manager \(CVM\) configuration on the existing nodes to remove references to the deleted node](#)
- [Removing the node configuration from the CP server](#)
- [Removing security credentials from the leaving node](#)
- [Updating the Storage Foundation for Databases \(SFDB\) repository after removing a node](#)
- [Sample configuration file for removing a node from the cluster](#)

## About removing a node from a cluster

You can remove one or more nodes from an SFCFSHA cluster. The following table provides a summary of the tasks required to add a node to an existing SFCFSHA cluster.



**Table 31-1** Tasks for removing a node from a cluster

| Step                                                                                                                                                                                                                                                                                               | Description                                                                                                                                                                                                                                                  |
|----------------------------------------------------------------------------------------------------------------------------------------------------------------------------------------------------------------------------------------------------------------------------------------------------|--------------------------------------------------------------------------------------------------------------------------------------------------------------------------------------------------------------------------------------------------------------|
| Prepare to remove the node: <ul style="list-style-type: none"> <li>■ Back up the configuration file.</li> <li>■ Check the status of the nodes and the service groups.</li> <li>■ Take the service groups offline and removing the database instances.</li> </ul>                                   | See <a href="#">“Removing a node from a cluster”</a> on page 353.                                                                                                                                                                                            |
| Remove the node from the cluster.                                                                                                                                                                                                                                                                  | See <a href="#">“Removing a node from a cluster”</a> on page 353.                                                                                                                                                                                            |
| Modify the cluster configuration on remaining nodes. <ul style="list-style-type: none"> <li>■ Edit the /etc/llhosts file.</li> <li>■ Edit the /etc/gabtab file.</li> <li>■ Modify the VCS configuration to remove the node.</li> <li>■ Modify the CVM configuration to remove the node.</li> </ul> | See <a href="#">“Modifying the VCS configuration files on existing nodes”</a> on page 354.<br><br>See <a href="#">“Modifying the Cluster Volume Manager (CVM) configuration on the existing nodes to remove references to the deleted node”</a> on page 357. |
| If the existing cluster is configured to use server-based I/O fencing, remove the node configuration from the Coordination Point (CP) server.                                                                                                                                                      | See <a href="#">“Removing the node configuration from the CP server”</a> on page 357.                                                                                                                                                                        |
| For a cluster that is running in a secure mode, remove the security credentials from the leaving node.                                                                                                                                                                                             | See <a href="#">“Removing security credentials from the leaving node ”</a> on page 358.                                                                                                                                                                      |
| Updating the Storage Foundation for Databases (SFDB) repository after removing a node                                                                                                                                                                                                              | See <a href="#">“Updating the Storage Foundation for Databases (SFDB) repository after removing a node”</a> on page 358.                                                                                                                                     |

The Veritas product installer does not support removing a node. You must remove a node manually. The example procedures describe how to remove a node from a cluster with three nodes.

## Removing a node from a cluster

Perform the following steps to remove a node from a cluster. The procedure can be done from any node remaining in the cluster or from a remote host.

**To prepare to remove a node from a cluster**

- 1 Take your application service groups offline if they are under Veritas Cluster Server (VCS) control on the node you want to remove.

```
# hagrps -offline app_group -sys sys5
```

- 2 Stop the applications that use Veritas File System (VxFS) or Cluster File System (CFS) mount points and are not configured under VCS. Use native application commands to stop the applications.

**To remove a node from a cluster**

- 1 Unmount the VxFS/CFS file systems that are not configured under VCS.

```
# umount mount_point
```

- 2 Stop VCS on the node:

```
# hastop -local
```

- 3 Uninstall SFCFSHA from the node using the SFCFSHA installer.

```
# cd /opt/VRTS/install
```

```
# ./uninstallsfcfsa sys5
```

The installer stops all SFCFSHA processes and uninstalls the SFCFSHA RPMs.

- 4 Modify the VCS configuration files on the existing nodes to remove references to the deleted node.

See [“Modifying the VCS configuration files on existing nodes”](#) on page 354.

- 5 Modify the Cluster Volume Manager (CVM) configuration on the existing nodes to remove references to the deleted node.

See [“Modifying the Cluster Volume Manager \(CVM\) configuration on the existing nodes to remove references to the deleted node”](#) on page 357.

## Modifying the VCS configuration files on existing nodes

Modify the configuration files on the remaining nodes of the cluster to remove references to the deleted nodes.

Tasks for modifying the cluster configuration files:

- Edit the /etc/llthosts file

- Edit the `/etc/gabtab` file
- Modify the VCS configuration to remove the node

For an example `main.cf`:

See [“Sample configuration file for removing a node from the cluster”](#) on page 359.

**To edit the `/etc/llhosts` file**

- ◆ On each of the existing nodes, edit the `/etc/llhosts` file to remove lines that contain references to the removed nodes.

For example, if `sys5` is the node removed from the cluster, remove the line `"2 sys5"` from the file:

```
0 sys1
1 sys2
2 sys5
```

Change to:

```
0 sys1
1 sys2
```

**To edit the `/etc/gabtab` file**

- ◆ Modify the following command in the `/etc/gabtab` file to reflect the number of systems after the node is removed:

```
/sbin/gabconfig -c -nN
```

where `N` is the number of remaining nodes in the cluster.

For example, with two nodes remaining, the file resembles:

```
/sbin/gabconfig -c -n2
```

Modify the VCS configuration file `main.cf` to remove all references to the deleted node.

Use one of the following methods to modify the configuration:

- Edit the `/etc/VRTSvcs/conf/config/main.cf` file  
 This method requires application down time.
- Use the command line interface  
 This method allows the applications to remain online on all remaining nodes.

The following procedure uses the command line interface and modifies the sample VCS configuration to remove references to the deleted node. Run the steps in the procedure from one of the existing nodes in the cluster. The procedure allows you

to change the VCS configuration while applications remain online on the remaining nodes.

**To modify the cluster configuration using the command line interface (CLI)**

- 1 Back up the `/etc/VRTSvcs/conf/config/main.cf` file.

```
# cd /etc/VRTSvcs/conf/config
# cp main.cf main.cf.3node.bak
```

- 2 Change the cluster configuration to read-write mode:

```
# haconf -makerw
```

- 3 Remove the node from the `AutoStartList` attribute of the service group by specifying the remaining nodes in the desired order:

```
# hagrpf -modify cvm AutoStartList sys1 sys2
```

- 4 Remove the node from the `SystemList` attribute of the service group:

```
# hagrpf -modify cvm SystemList -delete sys5
```

If the system is part of the `SystemList` of a parent group, it must be deleted from the parent group first.

- 5 Remove the node from the `CVMNodeId` attribute of the service group:

```
# hares -modify cvm_clus CVMNodeId -delete sys5
```

- 6 If you have the other service groups (such as the database service group or the `ClusterService` group) that have the removed node in their configuration, perform step 4 and step 5 for each of them.

- 7 Remove the deleted node from the `NodeList` attribute of all CFS mount resources:

```
# hares -modify CFSMount NodeList -delete sys5
```

- 8 Remove the deleted node from the system list of any other service groups that exist on the cluster. For example, to delete the node `sys5`:

```
# hagrpf -modify appgrp SystemList -delete sys5
```

- 9 Remove the deleted node from the cluster system list:

```
# hasys -delete sys5
```

## Modifying the Cluster Volume Manager (CVM) configuration on the existing nodes to remove references to the deleted node

- 10 Save the new configuration to disk:

```
# haconf -dump -makero
```

- 11 Verify that the node is removed from the VCS configuration.

```
# grep -i sys5 /etc/VRTSvcs/conf/config/main.cf
```

If the node is not removed, use the VCS commands as described in this procedure to remove the node.

## Modifying the Cluster Volume Manager (CVM) configuration on the existing nodes to remove references to the deleted node

To modify the CVM configuration on the existing nodes to remove references to the deleted node

- ◆ On the remaining nodes of the existing cluster, run the following commands:

```
# /etc/vx/bin/vxclustadm -m vcs reinit
# /etc/vx/bin/vxclustadm nidmap
```

## Removing the node configuration from the CP server

After removing a node from a SFCFSHA cluster, perform the steps in the following procedure to remove that node's configuration from the CP server.

---

**Note:** The `cpsadm` command is used to perform the steps in this procedure. For detailed information about the `cpsadm` command, see the *Veritas Storage Foundation Cluster File System High Availability Administrator's Guide*.

---

To remove the node configuration from the CP server

- 1 Log into the CP server as the root user.
- 2 View the list of VCS users on the CP server, using the following command:

```
# cpsadm -s cp_server -a list_users
```

Where `cp_server` is the virtual IP/ virtual hostname of the CP server.

- 3 Remove the VCS user associated with the node you previously removed from the cluster.

For CP server in non-secure mode:

```
# cpsadm -s cp_server -a rm_user \  
-e cpsclient@sys5 -f cps_operator -g vx
```

- 4 Remove the node entry from the CP server:

```
# cpsadm -s cp_server -a rm_node -h sys5 -c clus1 -n 2
```

- 5 View the list of nodes on the CP server to ensure that the node entry was removed:

```
# cpsadm -s cp_server -a list_nodes
```

## Removing security credentials from the leaving node

If the leaving node is part of a cluster that is running in a secure mode, you must remove the security credentials from node sys5. Perform the following steps.

### To remove the security credentials

- 1 Stop the AT process.

```
# /opt/VRTSvcs/bin/vcsauth/vcsauthserver/bin/vcsauthserver.sh \  
stop
```

- 2 Remove the credentials.

```
# rm -rf /var/VRTSvcs/vcsauth/data/
```

## Updating the Storage Foundation for Databases (SFDB) repository after removing a node

After removing a node from a cluster, you do not need to perform any steps to update the SFDB repository.

For information on removing the SFDB repository after removing the product:

See [“Removing the Storage Foundation for Databases \(SFDB\) repository after removing the product”](#) on page 321.

# Sample configuration file for removing a node from the cluster

You may use this sample file as reference information to understand the configuration changes involved when you remove a node from a cluster.

The existing sample configuration before removing the node *system3* is as follows:

- The existing cluster *cluster1* comprises three nodes *system1*, *system2*, and *system3* and hosts a single database.
- The database is stored on CFS.
- The database is managed by a VCS database agent.  
The agent starts, stops, and monitors the database.

---

**Note:** The following sample file shows in **bold** the configuration information that is removed when the node *system3* is removed from the cluster.

---

```
include "types.cf"
include "CFSTypes.cf"
include "CVMTypes.cf"

cluster cluster1 (
    UserNames = { admin = bopHo }
    Administrators = { admin }
    UseFence = SCSI3
)

cluster cluster1 (
    UserNames = { admin = bopHo }
    Administrators = { admin }
    UseFence = SCSI3
)

system system1 (
)

system system2 (
)

system system3 (
)
```

---

**Note:** In the following group *app\_grp*, the *system3* node must be removed.

---

```
group app_grp (
    SystemList = { system1 = 0, system2 = 1, system3 = 2 }
    AutoFailOver = 0
    Parallel = 1
    AutoStartList = { system1, system2, system3 }
)
```

---

**Note:** In the following application resource, the *system3* node information must be removed.

---

```
App appl (
    Critical = 0
    Sid @system1 = vrts1
    Sid @system2 = vrts2
    Sid @system3 = vrts3
)

CFSMount appdata_mnt (
    Critical = 0
    MountPoint = "/oradata"
    BlockDevice = "/dev/vx/dsk/appdatadg/appdatavol"
)

CVMVolDg appdata_voldg (
    Critical = 0
    CVMDiskGroup = appdatadg
    CVMVolume = { appdatavol }
    CVMActivation = sw
)

requires group cvm online local firm
appl requires appdata_mnt
appdata_mnt requires appdata_voldg
```

---

**Note:** In the following CVM and CVMCluster resources, the *system3* node information must be removed.

---

```
group cvm (
    SystemList = { system1 = 0, system2 = 1, system3 =2}
    AutoFailOver = 0
    Parallel = 1
```



```
AutoStartList = { system1, system2, system3 }  
)
```

```
CFSfsckd vxfsckd (  
)
```

```
CVMcluster cvm_clus (  
    CVMClustName = rac_cluster101  
    CVMNodeId = { system1 = 0, system2 = 1, system3 =2 }  
    CVMTransport = gab  
    CVMTimeout = 200  
)
```

```
CVMVxconfigd cvm_vxconfigd (  
    Critical = 0  
    CVMVxconfigdArgs = { syslog }  
)
```

```
vxfsckd requires cvm_clus  
cvm_clus requires cvm_vxconfigd
```

# Installation reference

- [Appendix A. Installation scripts](#)
- [Appendix B. Tunable files for installation](#)
- [Appendix C. Configuration files](#)
- [Appendix D. Configuring the secure shell or the remote shell for communications](#)
- [Appendix E. Storage Foundation Cluster File System High Availability components](#)
- [Appendix F. High availability agent information](#)
- [Appendix G. Troubleshooting the SFCFSHA installation](#)
- [Appendix H. Sample SFCFSHA cluster setup diagrams for CP server-based I/O fencing](#)
- [Appendix I. Configuring LLT over UDP](#)
- [Appendix J. Compatibility issues when installing Storage Foundation Cluster File System High Availability with other products](#)

# Installation scripts

This appendix includes the following topics:

- [Installation script options](#)
- [About using the postcheck option](#)

## Installation script options

[Table A-1](#) shows command line options for the installation script. For an initial install or upgrade, options are not usually required. The installation script options apply to all Veritas Storage Foundation product scripts, except where otherwise noted.

See [“About the Veritas installer”](#) on page 42.

**Table A-1** Available command line options

| Commandline Option | Function                                                                                                                                                                                                                                                     |
|--------------------|--------------------------------------------------------------------------------------------------------------------------------------------------------------------------------------------------------------------------------------------------------------|
| -addnode           | Adds a node to a high availability cluster.                                                                                                                                                                                                                  |
| -allpkgs           | Displays all RPMs required for the specified product. The RPMs are listed in correct installation order. The output can be used to create scripts for command line installs, or for installations over a network.                                            |
| -comcleanup        | The <code>-comcleanup</code> option removes the secure shell or remote shell configuration added by installer on the systems. The option is only required when installation routines that performed auto-configuration of the shell are abruptly terminated. |
| -configure         | Configures the product after installation.                                                                                                                                                                                                                   |

**Table A-1** Available command line options (*continued*)

| Commandline Option                 | Function                                                                                                                                                                                                                                                                                                          |
|------------------------------------|-------------------------------------------------------------------------------------------------------------------------------------------------------------------------------------------------------------------------------------------------------------------------------------------------------------------|
| -fencing                           | Configures I/O fencing in a running cluster.                                                                                                                                                                                                                                                                      |
| -hostfile <i>full_path_to_file</i> | Specifies the location of a file that contains a list of hostnames on which to install.                                                                                                                                                                                                                           |
| -installallpkgs                    | The <code>-installallpkgs</code> option is used to select all RPMs.                                                                                                                                                                                                                                               |
| -installrecpkgs                    | The <code>-installrecpkgs</code> option is used to select the recommended RPMs set.                                                                                                                                                                                                                               |
| -installminpkgs                    | The <code>-installminpkgs</code> option is used to select the minimum RPMs set.                                                                                                                                                                                                                                   |
| -ignorepatchreqs                   | The <code>-ignorepatchreqs</code> option is used to allow installation or upgrading even if the prerequisite packages or patches are missed on the system.                                                                                                                                                        |
| -keyfile <i>ssh_key_file</i>       | Specifies a key file for secure shell (SSH) installs. This option passes <code>-i ssh_key_file</code> to every SSH invocation.                                                                                                                                                                                    |
| -kickstart <i>dir_path</i>         | Produces a kickstart configuration file for installing with Linux RHEL Kickstart. The file contains the list of Symantec RPMs in the correct order for installing, in a format that can be used for Kickstart installations. The <i>dir_path</i> indicates the path to the directory in which to create the file. |
| -license                           | Registers or updates product licenses on the specified systems.                                                                                                                                                                                                                                                   |
| -logpath <i>log_path</i>           | Specifies a directory other than <code>/opt/VRTS/install/logs</code> as the location where installer log files, summary files, and response files are saved.                                                                                                                                                      |
| -makeresponsefile                  | Use the <code>-makeresponsefile</code> option only to generate response files. No actual software installation occurs when you use this option.                                                                                                                                                                   |

**Table A-1** Available command line options (*continued*)

| Commandline Option           | Function                                                                                                                                                                                                                                                                                     |
|------------------------------|----------------------------------------------------------------------------------------------------------------------------------------------------------------------------------------------------------------------------------------------------------------------------------------------|
| -minpkgs                     | Displays the minimal RPMs required for the specified product. The RPMs are listed in correct installation order. Optional RPMs are not listed. The output can be used to create scripts for command line installs, or for installations over a network. See <code>allpkgs</code> option.     |
| -nolic                       | Allows installation of product RPMs without entering a license key. Licensed features cannot be configured, started, or used when this option is specified.                                                                                                                                  |
| -pkginfo                     | Displays a list of RPMs and the order of installation in a human-readable format. This option only applies to the individual product installation scripts. For example, use the <code>-pkginfo</code> option with the <code>installvcs</code> script to display VCS RPMs.                    |
| -pkgpath <i>package_path</i> | Designates the path of a directory that contains all RPMs to install. The directory is typically an NFS-mounted location and must be accessible by all specified installation systems.                                                                                                       |
| -pkgset                      | Discovers and displays the RPM group (minimum, recommended, all) and RPMs that are installed on the specified systems.                                                                                                                                                                       |
| -pkgtable                    | Displays product's RPMs in correct installation order by group.                                                                                                                                                                                                                              |
| -postcheck                   | Checks for different HA and file system-related processes, the availability of different ports, and the availability of cluster-related service groups.                                                                                                                                      |
| -precheck                    | Performs a preinstallation check to determine if systems meet all installation requirements. Symantec recommends doing a precheck before installing a product.                                                                                                                               |
| -recpkgs                     | Displays the recommended RPMs required for the specified product. The RPMs are listed in correct installation order. Optional RPMs are not listed. The output can be used to create scripts for command line installs, or for installations over a network. See <code>allpkgs</code> option. |

**Table A-1** Available command line options (*continued*)

| Commandline Option                               | Function                                                                                                                                                                                                                                                                                                                                   |
|--------------------------------------------------|--------------------------------------------------------------------------------------------------------------------------------------------------------------------------------------------------------------------------------------------------------------------------------------------------------------------------------------------|
| -redirect                                        | Displays progress details without showing the progress bar.                                                                                                                                                                                                                                                                                |
| -requirements                                    | The <code>-requirements</code> option displays required OS version, required RPMs and patches, file system space, and other system requirements in order to install the product.                                                                                                                                                           |
| <code>--responsefile <i>response_file</i></code> | Automates installation and configuration by using system and configuration information stored in a specified file instead of prompting for information. The <i>response_file</i> must be a full path name. You must edit the response file to use it for subsequent installations. Variable field definitions are defined within the file. |
| -rolling_upgrade                                 | Starts a rolling upgrade. Using this option, the installer detects the rolling upgrade status on cluster systems automatically without the need to specify rolling upgrade phase 1 or phase 2 explicitly.                                                                                                                                  |
| -rollingupgrade_phase1                           | The <code>-rollingupgrade_phase1</code> option is used to perform rolling upgrade Phase-I. In the phase, the product kernel RPMs get upgraded to the latest version.                                                                                                                                                                       |
| -rollingupgrade_phase2                           | The <code>-rollingupgrade_phase2</code> option is used to perform rolling upgrade Phase-II. In the phase, VCS and other agent RPMs upgrade to the latest version. Product kernel drivers are rolling-upgraded to the latest protocol version.                                                                                              |
| -rsh                                             | Specify this option when you want to use RSH and RCP for communication between systems instead of the default SSH and SCP.<br><br>See <a href="#">“About configuring secure shell or remote shell communication modes before installing products”</a> on page 401.                                                                         |

**Table A-1** Available command line options (*continued*)

| Commandline Option                  | Function                                                                                                                                                                                                                                                                                                                                                                                                            |
|-------------------------------------|---------------------------------------------------------------------------------------------------------------------------------------------------------------------------------------------------------------------------------------------------------------------------------------------------------------------------------------------------------------------------------------------------------------------|
| -serial                             | Specifies that the installation script performs install, uninstall, start, and stop operations on each system in a serial fashion. If this option is not specified, these operations are performed simultaneously on all systems.                                                                                                                                                                                   |
| -setrunables                        | Specify this option when you want to set tunable parameters after you install and configure a product. You may need to restart processes of the product for the tunable parameter values to take effect. You must use this option together with the <code>-runablesfile</code> option.                                                                                                                              |
| -start                              | Starts the daemons and processes for the specified product.                                                                                                                                                                                                                                                                                                                                                         |
| -stop                               | Stops the daemons and processes for the specified product.                                                                                                                                                                                                                                                                                                                                                          |
| -timeout                            | The <code>-timeout</code> option is used to specify the number of seconds that the script should wait for each command to complete before timing out. Setting the <code>-timeout</code> option overrides the default value of 1200 seconds. Setting the <code>-timeout</code> option to 0 prevents the script from timing out. The <code>-timeout</code> option does not work with the <code>-serial</code> option. |
| -tmppath <i>tmp_path</i>            | Specifies a directory other than <code>/var/tmp</code> as the working directory for the installation scripts. This destination is where initial logging is performed and where RPMs are copied on remote systems before installation.                                                                                                                                                                               |
| -runables                           | Lists all supported runables and create a runables file template.                                                                                                                                                                                                                                                                                                                                                   |
| -runables_file <i>runables_file</i> | Specify this option when you specify a runables file. The runables file should include runnable parameters.                                                                                                                                                                                                                                                                                                         |
| -upgrade                            | Specifies that an existing version of the product exists and you plan to upgrade it.                                                                                                                                                                                                                                                                                                                                |

**Table A-1** Available command line options (*continued*)

| Commandline Option     | Function                                                                                                                                                                                                                                                                                                                                                                                               |
|------------------------|--------------------------------------------------------------------------------------------------------------------------------------------------------------------------------------------------------------------------------------------------------------------------------------------------------------------------------------------------------------------------------------------------------|
| -upgrade_kernelpkgs    | The <code>-upgrade_kernelpkgs</code> option has been renamed to <code>-rollingupgrade_phase1</code> .                                                                                                                                                                                                                                                                                                  |
| -upgrade_nonkernelpkgs | The <code>-upgrade_nonkernelpkgs</code> option has been renamed to <code>-rollingupgrade_phase2</code> .                                                                                                                                                                                                                                                                                               |
| -version               | Checks and reports the installed products and their versions. Identifies the installed and missing RPMs and patches where applicable for the product. Provides a summary that includes the count of the installed and any missing RPMs and patches where applicable. Lists the installed patches, hotfixes, and available updates for the installed product if an Internet connection is available.    |
| -yumgroupxml           | The <code>-yumgroupxml</code> option is used to generate a yum group definition XML file. The <code>createrepo</code> command can use the file on Redhat Linux to create a yum group for automated installation of all RPMs for a product. An available location to store the XML file should be specified as a complete path. The <code>-yumgroupxml</code> option is supported on Redhat Linux only. |

## About using the postcheck option

You can use the installer's post-check to determine installation-related problems and to aid in troubleshooting.

---

**Note:** This command option requires downtime for the node.

---

When you use the `postcheck` option, it can help you troubleshoot the following VCS-related issues:

- The heartbeat link does not exist.
- The heartbeat link cannot communicate.
- The heartbeat link is a part of a bonded or aggregated NIC.
- A duplicated cluster ID exists (if LLT is not running at the check time).
- The VRTSllt pkg version is not consistent on the nodes.



- The `llt-linkinstall` value is incorrect.
- The `llthosts(4)` or `llttab(4)` configuration is incorrect.
- the `/etc/gabtab` file is incorrect.
- The incorrect GAB linkinstall value exists.
- The VRTSgab pkg version is not consistent on the nodes.
- The `main.cf` file or the `types.cf` file is invalid.
- The `/etc/VRTSvcs/conf/sysname` file is not consistent with the hostname.
- The cluster UUID does not exist.
- The `uuidconfig.pl` file is missing.
- The VRTSvcs pkg version is not consistent on the nodes.
- The `/etc/vxfenmode` file is missing or incorrect.
- The `/etc/vxfendg` file is invalid.
- The vxfen link-install value is incorrect.
- The VRTSvxfen pkg version is not consistent.

The `postcheck` option can help you troubleshoot the following SFHA or SFCFSHA issues:

- Volume Manager cannot start because the `/etc/vx/reconfig.d/state.d/install-db` file has not been removed.
- Volume Manager cannot start because the `volboot` file is not loaded.
- Volume Manager cannot start because no license exists.
- Cluster Volume Manager cannot start because the CVM configuration is incorrect in the `main.cf` file. For example, the `Autostartlist` value is missing on the nodes.
- Cluster Volume Manager cannot come online because the node ID in the `/etc/llthosts` file is not consistent.
- Cluster Volume Manager cannot come online because Vxfen is not started.
- Cluster Volume Manager cannot start because gab is not configured.
- Cluster Volume Manager cannot come online because of a CVM protocol mismatch.
- Cluster Volume Manager group name has changed from "cvm", which causes CVM to go offline.

You can use the installer's post-check option to perform the following checks:

General checks for all products:

- All the required RPMs are installed.
- The versions of the required RPMs are correct.
- There are no verification issues for the required RPMs.

#### Checks for Volume Manager (VM):

- Lists the daemons which are not running (`vxattachd`, `vxconfigbackupd`, `vxesd`, `vxrelocd` ...).
- Lists the disks which are not in 'online' or 'online shared' state (`vxdisk list`).
- Lists the diskgroups which are not in 'enabled' state (`vxdg list`).
- Lists the volumes which are not in 'enabled' state (`vxprint -g <dgname>`).
- Lists the volumes which are in 'Unstartable' state (`vxinfo -g <dgname>`).
- Lists the volumes which are not configured in (AIX) `/etc/filesystems`, (Linux/HP-UX) `/etc/fstab`, or (SunOS) `/etc/vfstab`.

#### Checks for File System (FS):

- Lists the VxFS kernel modules which are not loaded (`vxfs/fdd/vxportal`).
- Whether all VxFS file systems present in (AIX) `/etc/filesystems`, (Linux/HP-UX) `/etc/fstab`, or (SunOS) `/etc/vfstab` file are mounted.
- Whether all VxFS file systems present in (AIX) `/etc/filesystems`, (Linux/HP-UX) `/etc/fstab`, or (SunOS) `/etc/vfstab` are in disk layout 6 or higher.
- Whether all mounted VxFS file systems are in disk layout 6 or higher.

#### Checks for Cluster File System:

- Whether FS and ODM are running at the latest protocol level.
- Whether all mounted CFS file systems are managed by VCS.
- Whether `cvm` service group is online.

See [“Performing a postcheck on a node”](#) on page 287.

# Tunable files for installation

This appendix includes the following topics:

- [About setting tunable parameters using the installer or a response file](#)
- [Setting tunables for an installation, configuration, or upgrade](#)
- [Setting tunables with no other installer-related operations](#)
- [Setting tunables with an un-integrated response file](#)
- [Preparing the tunables file](#)
- [Setting parameters for the tunables file](#)
- [Tunables value parameter definitions](#)

## About setting tunable parameters using the installer or a response file

You can set non-default product and system tunable parameters using a tunables file. With the file, you can set tunables such as the I/O policy or toggle native multi-pathing. The tunables file passes arguments to the installer script to set tunables. With the file, you can set the tunables for the following operations:

- When you install, configure, or upgrade systems.

```
# ./installer -tunablesfile tunables_file_name
```

See [“Setting tunables for an installation, configuration, or upgrade”](#) on page 372.

- When you apply the tunables file with no other installer-related operations.

```
# ./installer -tunablesfile tunables_file_name -setttunables [  
system1 system2 ...]
```

See [“Setting tunables with no other installer-related operations”](#) on page 373.

- When you apply the tunables file with an un-integrated response file.

```
# ./installer -responsefile response_file_name -tunablesfile  
tunables_file_name
```

See [“Setting tunables with an un-integrated response file”](#) on page 374.

See [“About response files”](#) on page 41.

You must select the tunables that you want to use from this guide.

See [“Tunables value parameter definitions”](#) on page 376.

## Setting tunables for an installation, configuration, or upgrade

You can use a tunables file for installation procedures to set non-default tunables. You invoke the installation script with the `tunablesfile` option. The tunables file passes arguments to the script to set the selected tunables. You must select the tunables that you want to use from this guide.

See [“Tunables value parameter definitions”](#) on page 376.

---

**Note:** Certain tunables only take effect after a system reboot.

---

### To set the non-default tunables for an installation, configuration, or upgrade

- 1 Prepare the tunables file.  
See [“Preparing the tunables file”](#) on page 375.
- 2 Make sure the systems where you want to install SFCFSHA meet the installation requirements.
- 3 Complete any preinstallation tasks.
- 4 Copy the tunables file to one of the systems where you want to install, configure, or upgrade the product.
- 5 Mount the product disc and navigate to the directory that contains the installation program.
- 6 Start the installer for the installation, configuration, or upgrade. For example:

```
# ./installer -tunablesfile /tmp/tunables_file
```

Where `/tmp/tunables_file` is the full path name for the tunables file.

- 7 Proceed with the operation. When prompted, accept the tunable parameters.  
Certain tunables are only activated after a reboot. Review the output carefully to determine if the system requires a reboot to set the tunable value.
- 8 The installer validates the tunables. If an error occurs, exit the installer and check the tunables file.

## Setting tunables with no other installer-related operations

You can use the installer to set tunable parameters without any other installer-related operations. You must use the parameters described in this guide. Note that many of the parameters are product-specific. You must select the tunables that you want to use from this guide.

See [“Tunables value parameter definitions”](#) on page 376.

---

**Note:** Certain tunables only take effect after a system reboot.

---

### To set tunables with no other installer-related operations

- 1 Prepare the tunables file.  
See [“Preparing the tunables file”](#) on page 375.
- 2 Make sure the systems where you want to install SFCFSHA meet the installation requirements.
- 3 Complete any preinstallation tasks.
- 4 Copy the tunables file to one of the systems that you want to tune.
- 5 Mount the product disc and navigate to the directory that contains the installation program.
- 6 Start the installer with the `-setttunables` option.

```
# ./installer -tunablesfile tunables_file_name -setttunables [
sys123 sys234 ...]
```

Where `/tmp/tunables_file` is the full path name for the tunables file.

- 7 Proceed with the operation. When prompted, accept the tunable parameters.  
Certain tunables are only activated after a reboot. Review the output carefully to determine if the system requires a reboot to set the tunable value.
- 8 The installer validates the tunables. If an error occurs, exit the installer and check the tunables file.

## Setting tunables with an un-integrated response file

You can use the installer to set tunable parameters with an un-integrated response file. You must use the parameters described in this guide. Note that many of the parameters are product-specific. You must select the tunables that you want to use from this guide.

See [“Tunables value parameter definitions”](#) on page 376.

---

**Note:** Certain tunables only take effect after a system reboot.

---

### To set tunables with an un-integrated response file

- 1 Make sure the systems where you want to install SFCFSHA meet the installation requirements.
- 2 Complete any preinstallation tasks.
- 3 Prepare the tunables file.  
See [“Preparing the tunables file”](#) on page 375.
- 4 Copy the tunables file to one of the systems that you want to tune.
- 5 Mount the product disc and navigate to the directory that contains the installation program.
- 6 Start the installer with the `-responsefile` and `-tunablesfile` options.

```
# ./installer -responsefile response_file_name -tunablesfile  
tunables_file_name
```

Where *response\_file\_name* is the full path name for the response file and *tunables\_file\_name* is the full path name for the tunables file.

- 7 Certain tunables are only activated after a reboot. Review the output carefully to determine if the system requires a reboot to set the tunable value.
- 8 The installer validates the tunables. If an error occurs, exit the installer and check the tunables file.

## Preparing the tunables file

A tunables file is a Perl module and consists of an opening and closing statement, with the tunables defined between. Use the hash symbol at the beginning of the line to comment out the line. The tunables file opens with the line "our %TUN;" and ends with the return true "1;" line. The final return true line only needs to appear once at the end of the file. Define each tunable parameter on its own line.

You can use the installer to create a tunables file template, or manually format tunables files you create.

### To create a tunables file template

- ◆ Start the installer with the `-tunables` option. Enter the following:

```
# ./installer -tunables
```

You see a list of all supported tunables, and the location of the tunables file template.

### To manually format tunables files

- ◆ Format the tunable parameter as follows:

```
$TUN{"tunable_name"}{"system_name"|"*"}=value_of_tunable;
```

For the *system\_name*, use the name of the system, its IP address, or a wildcard symbol. The *value\_of\_tunable* depends on the type of tunable you are setting. End the line with a semicolon.

The following is an example of a tunables file.

```
#  
# Tunable Parameter Values:  
#  
our %TUN;  
  
$TUN{"tunable1"}{"*"}=1024;  
$TUN{"tunable3"}{"sys123"}="SHA256";  
  
1;
```

## Setting parameters for the tunables file

Each tunables file defines different tunable parameters. The values that you can use are listed in the description of each parameter. Select the tunables that you want to add to the tunables file and then configure each parameter.

See [“Tunables value parameter definitions”](#) on page 376.

Each line for the parameter value starts with \$TUN. The name of the tunable is in curly brackets and double-quotes. The system name is enclosed in curly brackets and double-quotes. Finally define the value and end the line with a semicolon, for example:

```
$TUN{"dmp_daemon_count"}{"node123"}=16;
```

In this example, you are changing the `dmp_daemon_count` value from its default of 10 to 16. You can use the wildcard symbol `"*"` for all systems. For example:

```
$TUN{"dmp_daemon_count"}{"*"}=16;
```

## Tunables value parameter definitions

When you create a tunables file for the installer you can only use the parameters in the following list.

Prior to making any updates to the tunables, refer to the *Veritas Storage Foundation and High Availability Solutions Tuning Guide* for detailed information on product tunable ranges and recommendations .

[Table B-1](#) describes the supported tunable parameters that can be specified in a tunables file.

**Table B-1** Supported tunable parameters

| Tunable                          | Description                                                                                                                                                                                           |
|----------------------------------|-------------------------------------------------------------------------------------------------------------------------------------------------------------------------------------------------------|
| <code>dmp_cache_open</code>      | (Veritas Dynamic Multi-Pathing) Whether the first open on a device performed by an array support library (ASL) is cached. This tunable must be set after Veritas Dynamic Multi-Pathing is started.    |
| <code>dmp_daemon_count</code>    | (Veritas Dynamic Multi-Pathing) The number of kernel threads for DMP administrative tasks. This tunable must be set after Veritas Dynamic Multi-Pathing is started.                                   |
| <code>dmp_delayq_interval</code> | (Veritas Dynamic Multi-Pathing) The time interval for which DMP delays the error processing if the device is busy. This tunable must be set after Veritas Dynamic Multi-Pathing is started.           |
| <code>dmp_fast_recovery</code>   | (Veritas Dynamic Multi-Pathing) Whether DMP should attempt to obtain SCSI error information directly from the HBA interface. This tunable must be set after Veritas Dynamic Multi-Pathing is started. |



**Table B-1** Supported tunable parameters (*continued*)

| Tunable               | Description                                                                                                                                                                                                       |
|-----------------------|-------------------------------------------------------------------------------------------------------------------------------------------------------------------------------------------------------------------|
| dmp_health_time       | (Veritas Dynamic Multi-Pathing) The time in seconds for which a path must stay healthy. This tunable must be set after Veritas Dynamic Multi-Pathing is started.                                                  |
| dmp_log_level         | (Veritas Dynamic Multi-Pathing) The level of detail to which DMP console messages are displayed. This tunable must be set after Veritas Dynamic Multi-Pathing is started.                                         |
| dmp_low_impact_probe  | (Veritas Dynamic Multi-Pathing) Whether the low impact path probing feature is enabled. This tunable must be set after Veritas Dynamic Multi-Pathing is started.                                                  |
| dmp_lun_retry_timeout | (Veritas Dynamic Multi-Pathing) The retry period for handling transient errors. This tunable must be set after Veritas Dynamic Multi-Pathing is started.                                                          |
| dmp_monitor_fabric    | (Veritas Dynamic Multi-Pathing) Whether the Event Source daemon (vxesd) uses the Storage Networking Industry Association (SNIA) HBA API. This tunable must be set after Veritas Dynamic Multi-Pathing is started. |
| dmp_monitor_osevent   | (Veritas Dynamic Multi-Pathing) Whether the Event Source daemon (vxesd) monitors operating system events. This tunable must be set after Veritas Dynamic Multi-Pathing is started.                                |
| dmp_monitor_ownership | (Veritas Dynamic Multi-Pathing) Whether the dynamic change in LUN ownership is monitored. This tunable must be set after Veritas Dynamic Multi-Pathing is started.                                                |
| dmp_native_support    | (Veritas Dynamic Multi-Pathing) Whether DMP does multi-pathing for native devices. This tunable must be set after Veritas Dynamic Multi-Pathing is started.                                                       |
| dmp_path_age          | (Veritas Dynamic Multi-Pathing) The time for which an intermittently failing path needs to be monitored before DMP marks it as healthy. This tunable must be set after Veritas Dynamic Multi-Pathing is started.  |

**Table B-1** Supported tunable parameters (*continued*)

| Tunable                   | Description                                                                                                                                                                                                                         |
|---------------------------|-------------------------------------------------------------------------------------------------------------------------------------------------------------------------------------------------------------------------------------|
| dmp_pathswitch_blks_shift | (Veritas Dynamic Multi-Pathing) The default number of contiguous I/O blocks sent along a DMP path to an array before switching to the next available path. This tunable must be set after Veritas Dynamic Multi-Pathing is started. |
| dmp_probe_idle_lun        | (Veritas Dynamic Multi-Pathing) Whether the path restoration kernel thread probes idle LUNs. This tunable must be set after Veritas Dynamic Multi-Pathing is started.                                                               |
| dmp_probe_threshold       | (Veritas Dynamic Multi-Pathing) The number of paths will be probed by the restore daemon. This tunable must be set after Veritas Dynamic Multi-Pathing is started.                                                                  |
| dmp_restore_cycles        | (Veritas Dynamic Multi-Pathing) The number of cycles between running the check_all policy when the restore policy is check_periodic. This tunable must be set after Veritas Dynamic Multi-Pathing is started.                       |
| dmp_restore_interval      | (Veritas Dynamic Multi-Pathing) The time interval in seconds the restore daemon analyzes the condition of paths. This tunable must be set after Veritas Dynamic Multi-Pathing is started.                                           |
| dmp_restore_policy        | (Veritas Dynamic Multi-Pathing) The policy used by DMP path restoration thread. This tunable must be set after Veritas Dynamic Multi-Pathing is started.                                                                            |
| dmp_restore_state         | (Veritas Dynamic Multi-Pathing) Whether kernel thread for DMP path restoration is started. This tunable must be set after Veritas Dynamic Multi-Pathing is started.                                                                 |
| dmp_retry_count           | (Veritas Dynamic Multi-Pathing) The number of times a path reports a path busy error consecutively before DMP marks the path as failed. This tunable must be set after Veritas Dynamic Multi-Pathing is started.                    |
| dmp_scsi_timeout          | (Veritas Dynamic Multi-Pathing) The timeout value for any SCSI command sent via DMP. This tunable must be set after Veritas Dynamic Multi-Pathing is started.                                                                       |
| dmp_sfg_threshold         | (Veritas Dynamic Multi-Pathing) The status of the subpaths failover group (SFG) feature. This tunable must be set after Veritas Dynamic Multi-Pathing is started.                                                                   |

**Table B-1** Supported tunable parameters (*continued*)

| Tunable                | Description                                                                                                                                                                                                                                                                                                                                                           |
|------------------------|-----------------------------------------------------------------------------------------------------------------------------------------------------------------------------------------------------------------------------------------------------------------------------------------------------------------------------------------------------------------------|
| dmp_stat_interval      | (Veritas Dynamic Multi-Pathing) The time interval between gathering DMP statistics. This tunable must be set after Veritas Dynamic Multi-Pathing is started.                                                                                                                                                                                                          |
| max_diskq              | (Veritas File System) Specifies the maximum disk queue generated by a single file. The installer sets only the system default value of max_diskq. Refer to the tuneftab(4) manual page for setting this tunable for a specified block device.                                                                                                                         |
| read_ahead             | (Veritas File System) The 0 value disables read ahead functionality, the 1 value (default) retains traditional sequential read ahead behavior, and the 2 value enables enhanced read ahead for all reads. The installer sets only the system default value of read_ahead. Refer to the tuneftab(4) manual page for setting this tunable for a specified block device. |
| read_nstream           | (Veritas File System) The number of parallel read requests of size read_pref_io that can be outstanding at one time. The installer sets only the system default value of read_nstream. Refer to the tuneftab(4) manual page for setting this tunable for a specified block device.                                                                                    |
| read_pref_io           | (Veritas File System) The preferred read request size. The installer sets only the system default value of read_pref_io. Refer to the tuneftab(4) manual page for setting this tunable for a specified block device.                                                                                                                                                  |
| vol_checkpoint_default | (Veritas File System) Size of VxVM storage checkpoints (sectors). This tunable requires system reboot to take effect.                                                                                                                                                                                                                                                 |
| vol_cmpres_enabled     | (Veritas Volume Manager) Allow enabling compression for VERITAS Volume Replicator.                                                                                                                                                                                                                                                                                    |
| vol_cmpres_threads     | (Veritas Volume Manager) Maximum number of compression threads for VERITAS Volume Replicator.                                                                                                                                                                                                                                                                         |
| vol_default_iodelay    | (Veritas Volume Manager) Time to pause between I/O requests from VxVM utilities (10ms units). This tunable requires system reboot to take effect.                                                                                                                                                                                                                     |

**Table B-1** Supported tunable parameters (*continued*)

| Tunable                | Description                                                                                                                                                   |
|------------------------|---------------------------------------------------------------------------------------------------------------------------------------------------------------|
| vol_fmr_logsz          | (Veritas Volume Manager) Maximum size of bitmap Fast Mirror Resync uses to track changed blocks (KBytes). This tunable requires system reboot to take effect. |
| vol_max_adminio_poolsz | (Veritas Volume Manager) Maximum amount of memory used by VxVM admin I/O's (bytes). This tunable requires system reboot to take effect.                       |
| vol_max_nm_pool_sz     | (Veritas Volume Manager) Maximum name pool size (bytes).                                                                                                      |
| vol_max_rdback_sz      | (Veritas Volume Manager) Storage Record readback pool maximum (bytes).                                                                                        |
| vol_max_wrspool_sz     | (Veritas Volume Manager) Maximum memory used in clustered version of VERITAS Volume Replicator (bytes).                                                       |
| vol_maxio              | (Veritas Volume Manager) Maximum size of logical VxVM I/O operations (sectors). This tunable requires system reboot to take effect.                           |
| vol_maxioctl           | (Veritas Volume Manager) Maximum size of data passed into the VxVM ioctl calls (bytes). This tunable requires system reboot to take effect.                   |
| vol_maxparallelio      | (Veritas Volume Manager) Number of I/O operations vxconfigd can request at one time. This tunable requires system reboot to take effect.                      |
| vol_maxspecialio       | (Veritas Volume Manager) Maximum size of a VxVM I/O operation issued by an ioctl call (sectors). This tunable requires system reboot to take effect.          |
| vol_min_lowmem_sz      | (Veritas Volume Manager) Low water mark for memory (bytes).                                                                                                   |
| vol_nm_hb_timeout      | (Veritas Volume Manager) Veritas Volume Replicator timeout value (ticks).                                                                                     |
| vol_rvio_maxpool_sz    | (Veritas Volume Manager) Maximum memory requested by VERITAS Volume Replicator (bytes).                                                                       |
| vol_stats_enable       | (Veritas Volume Manager) Enable VxVM I/O stat collection.                                                                                                     |

**Table B-1** Supported tunable parameters (*continued*)

| Tunable                     | Description                                                                                                                                               |
|-----------------------------|-----------------------------------------------------------------------------------------------------------------------------------------------------------|
| vol_subdisk_num             | (Veritas Volume Manager) Maximum number of subdisks attached to a single VxVM plex. This tunable requires system reboot to take effect.                   |
| voldrl_max_drtregs          | (Veritas Volume Manager) Maximum number of dirty VxVM regions that can exist on a non-sequential DRL. This tunable requires system reboot to take effect. |
| voldrl_max_seq_dirty        | (Veritas Volume Manager) Maximum number of dirty regions in sequential mode. This tunable requires system reboot to take effect.                          |
| voldrl_min_regionsz         | (Veritas Volume Manager) Minimum size of a VxVM Dirty Region Logging (DRL) region (sectors). This tunable requires system reboot to take effect.          |
| voldrl_volumemax_drtregs    | (Veritas Volume Manager) Max per volume dirty regions in log-plex DRL.                                                                                    |
| voldrl_volumemax_drtregs_20 | (Veritas Volume Manager) Max per volume dirty regions in DCO version 20.                                                                                  |
| voldrl_dirty_regions        | (Veritas Volume Manager) Number of regions cached for DCO version 30.                                                                                     |
| voliomem_chunk_size         | (Veritas Volume Manager) Size of VxVM memory allocation requests (bytes). This tunable requires system reboot to take effect.                             |
| voliomem_maxpool_sz         | (Veritas Volume Manager) Maximum amount of memory used by VxVM (bytes). This tunable requires system reboot to take effect.                               |
| voliot_errbuf_dflt          | (Veritas Volume Manager) Size of a VxVM error trace buffer (bytes). This tunable requires system reboot to take effect.                                   |
| voliot_iobuf_default        | (Veritas Volume Manager) Default size of a VxVM I/O trace buffer (bytes). This tunable requires system reboot to take effect.                             |
| voliot_iobuf_limit          | (Veritas Volume Manager) Maximum total size of all VxVM I/O trace buffers (bytes). This tunable requires system reboot to take effect.                    |

**Table B-1** Supported tunable parameters (*continued*)

| Tunable              | Description                                                                                                                                                                                                                                                                            |
|----------------------|----------------------------------------------------------------------------------------------------------------------------------------------------------------------------------------------------------------------------------------------------------------------------------------|
| voliot_jobuf_max     | (Veritas Volume Manager) Maximum size of a VxVM I/O trace buffer (bytes). This tunable requires system reboot to take effect.                                                                                                                                                          |
| voliot_max_open      | (Veritas Volume Manager) Maximum number of VxVM trace channels available for vxtrace commands. This tunable requires system reboot to take effect.                                                                                                                                     |
| volpagemod_max_memsz | (Veritas Volume Manager) Maximum paging module memory used by Instant Snapshots (Kbytes).                                                                                                                                                                                              |
| volraid_rsrtransmax  | (Veritas Volume Manager) Maximum number of VxVM RAID-5 transient reconstruct operations in parallel. This tunable requires system reboot to take effect.                                                                                                                               |
| vxfs_mbuf            | (Veritas File System) Maximum memory used for VxFS buffer cache. This tunable requires system reboot to take effect.                                                                                                                                                                   |
| vxfs_ninode          | (Veritas File System) Number of entries in the VxFS inode table. This tunable requires system reboot to take effect.                                                                                                                                                                   |
| write_nstream        | (Veritas File System) The number of parallel write requests of size write_pref_io that can be outstanding at one time. The installer sets only the system default value of write_nstream. Refer to the tunefstab(4) manual page for setting this tunable for a specified block device. |
| write_pref_io        | (Veritas File System) The preferred write request size. The installer sets only the system default value of write_pref_io. Refer to the tunefstab(4) manual page for setting this tunable for a specified block device.                                                                |

# Configuration files

This appendix includes the following topics:

- [About the LLT and GAB configuration files](#)
- [About the AMF configuration files](#)
- [About I/O fencing configuration files](#)
- [Sample configuration files for CP server](#)

## About the LLT and GAB configuration files

Low Latency Transport (LLT) and Group Membership and Atomic Broadcast (GAB) are VCS communication services. LLT requires `/etc/llthosts` and `/etc/llttab` files. GAB requires `/etc/gabtab` file.

[Table C-1](#) lists the LLT configuration files and the information that these files contain.

**Table C-1** LLT configuration files

| File                            | Description                                                                                                                                                                                                                                                                                                                                                                                                                                                                                                                                                                                                                                                                                                                                                                             |
|---------------------------------|-----------------------------------------------------------------------------------------------------------------------------------------------------------------------------------------------------------------------------------------------------------------------------------------------------------------------------------------------------------------------------------------------------------------------------------------------------------------------------------------------------------------------------------------------------------------------------------------------------------------------------------------------------------------------------------------------------------------------------------------------------------------------------------------|
| <code>/etc/sysconfig/llt</code> | <p>This file stores the start and stop environment variables for LLT:</p> <ul style="list-style-type: none"><li>■ <code>LLT_START</code>—Defines the startup behavior for the LLT module after a system reboot. Valid values include:<ul style="list-style-type: none"><li>1—Indicates that LLT is enabled to start up.</li><li>0—Indicates that LLT is disabled to start up.</li></ul></li><li>■ <code>LLT_STOP</code>—Defines the shutdown behavior for the LLT module during a system shutdown. Valid values include:<ul style="list-style-type: none"><li>1—Indicates that LLT is enabled to shut down.</li><li>0—Indicates that LLT is disabled to shut down.</li></ul></li></ul> <p>The installer sets the value of these variables to 1 at the end of SFCFSHA configuration.</p> |

**Table C-1**      LLT configuration files (*continued*)

| File                       | Description                                                                                                                                                                                                                                                                                                                                                                                                                                                                                                                                                                                                                                                                                                                                                                                                                                                                                                                                                                                                                                                                                                                                                                                                                                                                                                                                                                         |
|----------------------------|-------------------------------------------------------------------------------------------------------------------------------------------------------------------------------------------------------------------------------------------------------------------------------------------------------------------------------------------------------------------------------------------------------------------------------------------------------------------------------------------------------------------------------------------------------------------------------------------------------------------------------------------------------------------------------------------------------------------------------------------------------------------------------------------------------------------------------------------------------------------------------------------------------------------------------------------------------------------------------------------------------------------------------------------------------------------------------------------------------------------------------------------------------------------------------------------------------------------------------------------------------------------------------------------------------------------------------------------------------------------------------------|
| <code>/etc/llthosts</code> | <p>The file <code>llthosts</code> is a database that contains one entry per system. This file links the LLT system ID (in the first column) with the LLT host name. This file must be identical on each node in the cluster. A mismatch of the contents of the file can cause indeterminate behavior in the cluster.</p> <p>For example, the file <code>/etc/llthosts</code> contains the entries that resemble:</p> <pre style="margin-left: 40px;">0      sys1 1      sys2</pre>                                                                                                                                                                                                                                                                                                                                                                                                                                                                                                                                                                                                                                                                                                                                                                                                                                                                                                  |
| <code>/etc/llttab</code>   | <p>The file <code>llttab</code> contains the information that is derived during installation and used by the utility <code>lltconfig(1M)</code>. After installation, this file lists the LLT network links that correspond to the specific system.</p> <pre style="margin-left: 40px;">set-node sys1 set-cluster 2 link eth1 eth1 - ether - - link eth2 eth2 - ether - -</pre> <p>For example, the file <code>/etc/llttab</code> contains the entries that resemble:</p> <pre style="margin-left: 40px;">set-node sys1 set-cluster 2 link eth1 eth-00:04:23:AC:12:C4 - ether - - link eth2 eth-00:04:23:AC:12:C5 - ether - -</pre> <p>If you use aggregated interfaces, then the file contains the aggregated interface name instead of the <code>eth-MAC_address</code>.</p> <p>The first line identifies the system. The second line identifies the cluster (that is, the cluster ID you entered during installation). The next two lines begin with the <code>link</code> command. These lines identify the two network cards that the LLT protocol uses.</p> <p>If you configured a low priority link under LLT, the file also includes a "link-lowpri" line.</p> <p>Refer to the <code>llttab(4)</code> manual page for details about how the LLT configuration may be modified. The manual page describes the ordering of the directives in the <code>llttab</code> file.</p> |

[Table C-2](#) lists the GAB configuration files and the information that these files contain.



**Table C-2** GAB configuration files

| File                            | Description                                                                                                                                                                                                                                                                                                                                                                                                                                                                                                                                                                                                                                                                                                                                                                                                                                                                                         |
|---------------------------------|-----------------------------------------------------------------------------------------------------------------------------------------------------------------------------------------------------------------------------------------------------------------------------------------------------------------------------------------------------------------------------------------------------------------------------------------------------------------------------------------------------------------------------------------------------------------------------------------------------------------------------------------------------------------------------------------------------------------------------------------------------------------------------------------------------------------------------------------------------------------------------------------------------|
| <code>/etc/sysconfig/gab</code> | <p>This file stores the start and stop environment variables for GAB:</p> <ul style="list-style-type: none"> <li>■ <b>GAB_START</b>—Defines the startup behavior for the GAB module after a system reboot. Valid values include: <ul style="list-style-type: none"> <li>1—Indicates that GAB is enabled to start up.</li> <li>0—Indicates that GAB is disabled to start up.</li> </ul> </li> <li>■ <b>GAB_STOP</b>—Defines the shutdown behavior for the GAB module during a system shutdown. Valid values include: <ul style="list-style-type: none"> <li>1—Indicates that GAB is enabled to shut down.</li> <li>0—Indicates that GAB is disabled to shut down.</li> </ul> </li> </ul> <p>The installer sets the value of these variables to 1 at the end of Storage Foundation Cluster File System High Availability configuration.</p>                                                           |
| <code>/etc/gabtab</code>        | <p>After you install SFCFSHA, the file <code>/etc/gabtab</code> contains a <code>gabconfig(1)</code> command that configures the GAB driver for use.</p> <p>The file <code>/etc/gabtab</code> contains a line that resembles:</p> <pre style="margin-left: 40px;">/sbin/gabconfig -c -nN</pre> <p>The <code>-c</code> option configures the driver for use. The <code>-nN</code> specifies that the cluster is not formed until at least <i>N</i> nodes are ready to form the cluster. Symantec recommends that you set <i>N</i> to be the total number of nodes in the cluster.</p> <p><b>Note:</b> Symantec does not recommend the use of the <code>-c -x</code> option for <code>/sbin/gabconfig</code>. Using <code>-c -x</code> can lead to a split-brain condition. Use the <code>-c</code> option for <code>/sbin/gabconfig</code> to avoid a split-brain condition.</p> <p><b>Note:</b></p> |

## About the AMF configuration files

Asynchronous Monitoring Framework (AMF) kernel driver provides asynchronous event notifications to the VCS agents that are enabled for intelligent resource monitoring.

[Table C-3](#) lists the AMF configuration files.

**Table C-3** AMF configuration files

| File                            | Description                                                                                                                                                                                                                                                                                                                                                                                                                                                                                                                                                                                                                                                                                                                                                                                                                                                                        |
|---------------------------------|------------------------------------------------------------------------------------------------------------------------------------------------------------------------------------------------------------------------------------------------------------------------------------------------------------------------------------------------------------------------------------------------------------------------------------------------------------------------------------------------------------------------------------------------------------------------------------------------------------------------------------------------------------------------------------------------------------------------------------------------------------------------------------------------------------------------------------------------------------------------------------|
| <code>/etc/sysconfig/amf</code> | <p>This file stores the start and stop environment variables for AMF:</p> <ul style="list-style-type: none"> <li>■ <b>AMF_START</b>—Defines the startup behavior for the AMF module after a system reboot or when AMF is attempted to start using the init script. Valid values include:                             <ul style="list-style-type: none"> <li>1—Indicates that AMF is enabled to start up. (default)</li> <li>0—Indicates that AMF is disabled to start up.</li> </ul> </li> <li>■ <b>AMF_STOP</b>—Defines the shutdown behavior for the AMF module during a system shutdown or when AMF is attempted to stop using the init script. Valid values include:                             <ul style="list-style-type: none"> <li>1—Indicates that AMF is enabled to shut down. (default)</li> <li>0—Indicates that AMF is disabled to shut down.</li> </ul> </li> </ul> |
| <code>/etc/amftab</code>        | <p>After you install VCS, the file <code>/etc/amftab</code> contains a <code>amfconfig(1)</code> command that configures the AMF driver for use.</p> <p>The AMF init script uses this <code>/etc/amftab</code> file to configure the AMF driver. The <code>/etc/amftab</code> file contains the following line by default:</p> <pre><code>/opt/VRTSamf/bin/amfconfig -c</code></pre>                                                                                                                                                                                                                                                                                                                                                                                                                                                                                               |

## About I/O fencing configuration files

[Table C-4](#) lists the I/O fencing configuration files.

**Table C-4** I/O fencing configuration files

| File                              | Description                                                                                                                                                                                                                                                                                                                                                                                                                                                                                                                                                                                                                                                                                                                                                                                                                                                                                                                                                   |
|-----------------------------------|---------------------------------------------------------------------------------------------------------------------------------------------------------------------------------------------------------------------------------------------------------------------------------------------------------------------------------------------------------------------------------------------------------------------------------------------------------------------------------------------------------------------------------------------------------------------------------------------------------------------------------------------------------------------------------------------------------------------------------------------------------------------------------------------------------------------------------------------------------------------------------------------------------------------------------------------------------------|
| <code>/etc/sysconfig/vxfen</code> | <p>This file stores the start and stop environment variables for I/O fencing:</p> <ul style="list-style-type: none"> <li>■ <b>VXFEN_START</b>—Defines the startup behavior for the I/O fencing module after a system reboot. Valid values include:                             <ul style="list-style-type: none"> <li>1—Indicates that I/O fencing is enabled to start up.</li> <li>0—Indicates that I/O fencing is disabled to start up.</li> </ul> </li> <li>■ <b>VXFEN_STOP</b>—Defines the shutdown behavior for the I/O fencing module during a system shutdown. Valid values include:                             <ul style="list-style-type: none"> <li>1—Indicates that I/O fencing is enabled to shut down.</li> <li>0—Indicates that I/O fencing is disabled to shut down.</li> </ul> </li> </ul> <p>The installer sets the value of these variables to 1 at the end of Storage Foundation Cluster File System High Availability configuration.</p> |

**Table C-4** I/O fencing configuration files (*continued*)

| File           | Description                                                                                                                                                                                                                                                                                                                                                                                                                                                                                                                                                                                                                                                                                                                                                                                                                                                                                                                                                                                                                                                                                                                                                                                                                                                                                                                                                                                                                                                                                                                                                                                                                                                                                                                                                                                                                                                                                                                                                                                                                                                                                                                                                                                                                                                                                                                                                                                                                                                                                                                                                                           |
|----------------|---------------------------------------------------------------------------------------------------------------------------------------------------------------------------------------------------------------------------------------------------------------------------------------------------------------------------------------------------------------------------------------------------------------------------------------------------------------------------------------------------------------------------------------------------------------------------------------------------------------------------------------------------------------------------------------------------------------------------------------------------------------------------------------------------------------------------------------------------------------------------------------------------------------------------------------------------------------------------------------------------------------------------------------------------------------------------------------------------------------------------------------------------------------------------------------------------------------------------------------------------------------------------------------------------------------------------------------------------------------------------------------------------------------------------------------------------------------------------------------------------------------------------------------------------------------------------------------------------------------------------------------------------------------------------------------------------------------------------------------------------------------------------------------------------------------------------------------------------------------------------------------------------------------------------------------------------------------------------------------------------------------------------------------------------------------------------------------------------------------------------------------------------------------------------------------------------------------------------------------------------------------------------------------------------------------------------------------------------------------------------------------------------------------------------------------------------------------------------------------------------------------------------------------------------------------------------------------|
| /etc/vxfendg   | <p>This file includes the coordinator disk group information.</p> <p>This file is not applicable for server-based fencing.</p>                                                                                                                                                                                                                                                                                                                                                                                                                                                                                                                                                                                                                                                                                                                                                                                                                                                                                                                                                                                                                                                                                                                                                                                                                                                                                                                                                                                                                                                                                                                                                                                                                                                                                                                                                                                                                                                                                                                                                                                                                                                                                                                                                                                                                                                                                                                                                                                                                                                        |
| /etc/vxfenmode | <p>This file contains the following parameters:</p> <ul style="list-style-type: none"> <li>■ <code>vxfen_mode</code> <ul style="list-style-type: none"> <li>■ <code>scsi3</code>—For disk-based fencing</li> <li>■ <code>customized</code>—For server-based fencing</li> <li>■ <code>disabled</code>—To run the I/O fencing driver but not do any fencing operations.</li> </ul> </li> <li>■ <code>vxfen_mechanism</code> <p>This parameter is applicable only for server-based fencing. Set the value as <code>cps</code>.</p> </li> <li>■ <code>scsi3_disk_policy</code> <ul style="list-style-type: none"> <li>■ <code>dmp</code>—Configure the vxfen module to use DMP devices<br/>The disk policy is <code>dmp</code> by default. If you use iSCSI devices, you must set the disk policy as <code>dmp</code>.</li> <li>■ <code>raw</code>—Configure the vxfen module to use the underlying raw character devices</li> </ul> <p><b>Note:</b> You must use the same SCSI-3 disk policy on all the nodes.</p> </li> <li>■ <code>security</code> <p>This parameter is applicable only for server-based fencing.</p> <p>1—Indicates that communication with the CP server is in secure mode. This setting is the default.</p> <p>0—Indicates that communication with the CP server is in non-secure mode.</p> </li> <li>■ List of coordination points <p>This list is required only for server-based fencing configuration.</p> <p>Coordination points in server-based fencing can include coordinator disks, CP servers, or both. If you use coordinator disks, you must create a coordinator disk group containing the individual coordinator disks.</p> <p>Refer to the sample file <code>/etc/vxifen.d/vxfenmode_cps</code> for more information on how to specify the coordination points and multiple IP addresses for each CP server.</p> </li> <li>■ <code>single_cp</code> <p>This parameter is applicable for server-based fencing which uses a single highly available CP server as its coordination point. Also applicable for when you use a coordinator disk group with single disk.</p> </li> <li>■ <code>autoseed_gab_timeout</code> <p>This parameter enables GAB automatic seeding of the cluster even when some cluster nodes are unavailable. This feature requires that I/O fencing is enabled.</p> <p>0—Turns the GAB auto-seed feature on. Any value greater than 0 indicates the number of seconds that GAB must delay before it automatically seeds the cluster.</p> <p>-1—Turns the GAB auto-seed feature off. This setting is the default.</p> </li> </ul> |

**Table C-4** I/O fencing configuration files (*continued*)

| File                       | Description                                                                                                                                                                                                                                                                                                                                                                                                                                                                                                                                                                                                                                                                                                                                                                                                                                                                                                                                                                                                                                                                                                                                                                                                                                                                                                                                                                                                                                                                                                                                                                                                                                                                                                                                                                                                                                                                                           |
|----------------------------|-------------------------------------------------------------------------------------------------------------------------------------------------------------------------------------------------------------------------------------------------------------------------------------------------------------------------------------------------------------------------------------------------------------------------------------------------------------------------------------------------------------------------------------------------------------------------------------------------------------------------------------------------------------------------------------------------------------------------------------------------------------------------------------------------------------------------------------------------------------------------------------------------------------------------------------------------------------------------------------------------------------------------------------------------------------------------------------------------------------------------------------------------------------------------------------------------------------------------------------------------------------------------------------------------------------------------------------------------------------------------------------------------------------------------------------------------------------------------------------------------------------------------------------------------------------------------------------------------------------------------------------------------------------------------------------------------------------------------------------------------------------------------------------------------------------------------------------------------------------------------------------------------------|
| <code>/etc/vxfentab</code> | <p>When I/O fencing starts, the <code>vxfen</code> startup script creates this <code>/etc/vxfentab</code> file on each node. The startup script uses the contents of the <code>/etc/vxfendg</code> and <code>/etc/vxfenmode</code> files. Any time a system is rebooted, the fencing driver reinitializes the <code>vxfentab</code> file with the current list of all the coordinator points.</p> <p><b>Note:</b> The <code>/etc/vxfentab</code> file is a generated file; do not modify this file.</p> <p>For disk-based I/O fencing, the <code>/etc/vxfentab</code> file on each node contains a list of all paths to each coordinator disk along with its unique disk identifier. A space separates the path and the unique disk identifier. An example of the <code>/etc/vxfentab</code> file in a disk-based fencing configuration on one node resembles as follows:</p> <ul style="list-style-type: none"> <li>■ Raw disk:           <pre style="margin-left: 20px;">/dev/sdx HITACHI%5F1724-100%20%20FASTT%5FDISKS%5F6 00A0B8000215A5D000006804E795D075 /dev/sdy HITACHI%5F1724-100%20%20FASTT%5FDISKS%5F6 00A0B8000215A5D000006814E795D076 /dev/sdz HITACHI%5F1724-100%20%20FASTT%5FDISKS%5F6 00A0B8000215A5D000006824E795D077</pre> </li> <li>■ DMP disk:           <pre style="margin-left: 20px;">/dev/vx/rdmp/sdx3 HITACHI%5F1724-100%20%20FASTT%5FDISKS%5F6 00A0B8000215A5D000006804E795D0A3 /dev/vx/rdmp/sdy3 HITACHI%5F1724-100%20%20FASTT%5FDISKS%5F6 00A0B8000215A5D000006814E795D0B3 /dev/vx/rdmp/sdz3 HITACHI%5F1724-100%20%20FASTT%5FDISKS%5F6 00A0B8000215A5D000006824E795D0C3</pre> </li> </ul> <p>For server-based fencing, the <code>/etc/vxfentab</code> file also includes the security settings information.</p> <p>For server-based fencing with single CP server, the <code>/etc/vxfentab</code> file also includes the <code>single_cp</code> settings information.</p> |

## Sample configuration files for CP server

The `/etc/vxcps.conf` file determines the configuration of the coordination point server (CP server.)

See [“Sample CP server configuration \(/etc/vxcps.conf\) file output”](#) on page 400.

The following are example main.cf files for a CP server that is hosted on a single node, and a CP server that is hosted on an SFHA cluster.

- The main.cf file for a CP server that is hosted on a single node:  
See [“CP server hosted on a single node main.cf file”](#) on page 389.  
See [“Sample main.cf file for CP server hosted on a single node that runs VCS”](#) on page 395.
- The main.cf file for a CP server that is hosted on an SFHA cluster:  
See [“CP server hosted on an SFHA cluster main.cf file”](#) on page 391.  
See [“Sample main.cf file for CP server hosted on a two-node SFHA cluster”](#) on page 397.

---

**Note:** The CP server supports Internet Protocol version 4 or version 6 (IPv4 or IPv6 addresses) when communicating with SFCFSHA clusters (application clusters). The example main.cf files use IPv4 addresses.

---

## CP server hosted on a single node main.cf file

The following is an example of a single CP server node main.cf.

For this CP server single node main.cf, note the following values:

- Cluster name: cps1
- Node name: cps1

```
include "types.cf"

// cluster name: cps1
// CP server: cps1

cluster cps1 (
    UserNames = { admin = bMnFMHmJNiNNlVnHMK, haris = fopKojNvpHouNn,
                  "cps1.symantecexample.com@root@vx" = aj,
                  "root@cps1.symantecexample.com" = hq }
    Administrators = { admin, haris,
                       "cps1.symantecexample.com@root@vx",
                       "root@cps1.symantecexample.com" }
    SecureClus = 1
    HacliUserLevel = COMMANDROOT
)

system cps1 (
)
```

```

group CPSSG (
    SystemList = { cps1 = 0 }
    AutoStartList = { cps1 }
)

IP cpsvip (
    Device @cps1 = bge0
    Address = "10.209.3.1"
    NetMask = "255.255.252.0"
)

NIC cpsnic (
    Device @cps1 = bge0
)

Process vxcpserv (
    PathName = "/opt/VRTScps/bin/vxcpserv"
    ConfInterval = 30
    RestartLimit = 3
)

cpsvip requires cpsnic
vxcpserv requires cpsvip

// resource dependency tree
//
// group CPSSG
// {
// Process vxcpserv
//     {
//     IP cpsvip
//         {
//         NIC cpsnic
//         }
//     }
// }

group VxSS (
    SystemList = { cps1 = 0 }
    Parallel = 1
)

```

```

AutoStartList = { cps1 }
OnlineRetryLimit = 3
OnlineRetryInterval = 120
)

Phantom phantom_vxss (
)

ProcessOnOnly vxatd (
    IgnoreArgs = 1
    PathName = "/opt/VRTSat/bin/vxatd"
)

// resource dependency tree
//
//   group VxSS
//   {
//   Phantom phantom_vxss
//   ProcessOnOnly vxatd
//   }

```

## CP server hosted on an SFHA cluster main.cf file

The following is an example of a main.cf, where the CP server is hosted on an SFHA cluster.

For this CP server hosted on an SFHA cluster main.cf, note the following values:

- Cluster name: cps1
- Nodes in the cluster: cps1, cps2

```

include "types.cf"
include "CFSTypes.cf"
include "CVMTypes.cf"

// cluster: cps1
// CP servers:
// cps1
// cps2

cluster cps1 (

```

```

UserNames = { admin = ajkCjeJgkFkkIskEjh,
              "cps1.symantecexample.com@root@vx" = JK,
              "cps2.symantecexample.com@root@vx" = dl }
Administrators = { admin, "cps1.symantecexample.com@root@vx",
                  "cps2.symantecexample.com@root@vx" }
SecureClus = 1
)

system cps1 (
)

system cps2 (
)

group CPSSG (
  SystemList = { cps1 = 0, cps2 = 1 }
  AutoStartList = { cps1, cps2 } )

DiskGroup cpsdg (
  DiskGroup = cps_dg
)

IP cpsvip (
  Device @cps1 = bge0
  Device @cps2 = bge0
  Address = "10.209.81.88"
  NetMask = "255.255.252.0"
)

Mount cpsmount (
  MountPoint = "/etc/VRTScps/db"
  BlockDevice = "/dev/vx/dsk/cps_dg/cps_volume"
  FSType = vxfs
  FsckOpt = "-y"
)

NIC cpsnic (
  Device @cps1 = bge0
  Device @cps2 = bge0
)

Process vxcpserv (
  PathName = "/opt/VRTScps/bin/vxcpserv"
)

```



```

    )

    Volume cpsvol (
        Volume = cps_volume
        DiskGroup = cps_dg
    )

cpsmount requires cpsvol
cpsvip requires cpsnic
cpsvol requires cpsdg
vxcpserv requires cpsmount
vxcpserv requires cpsvip

// resource dependency tree
//
// group CPSSG
// {
// Process vxcpserv
//     {
//     Mount cpsmount
//         {
//         Volume cpsvol
//             {
//             DiskGroup cpsdg
//             }
//         }
//     IP cpsvip
//         {
//         NIC cpsnic
//         }
//     }
// }

group VxSS (
    SystemList = { cps1 = 0, cps2 = 1 }
    Parallel = 1
    AutoStartList = { cps1, cps2 }
    OnlineRetryLimit = 3
    OnlineRetryInterval = 120
)

```

```

Phantom phantom_vxss (
    )

ProcessOnOnly vxatd (
    IgnoreArgs = 1
    PathName = "/opt/VRTSat/bin/vxatd"
    )

// resource dependency tree
//
// group VxSS
// {
// Phantom phantom_vxss
// ProcessOnOnly vxatd
// }

group cvm (
    SystemList = { cps1 = 0, cps2 = 1 }
    AutoFailOver = 0
    Parallel = 1
    AutoStartList = { cps1, cps2 }
    )

CFSfsckd vxfsckd (
    )

CVMCluster cvm_clus (
    CVMClustName = cps1
    CVMNodeId = { cps1 = 0, cps2 = 1 }
    CVMTransport = gab
    CVMTimeout = 200
    )

CVMVxconfigd cvm_vxconfigd (
    Critical = 0
    CVMVxconfigdArgs = { syslog }
    )

cvm_clus requires cvm_vxconfigd
vxfsckd requires cvm_clus

```

```
// resource dependency tree
//
// group cvm
// {
//   CFSfsckd vxfckd
//   {
//     CVMCluster cvm_clus
//     {
//       CVMVxconfigd cvm_vxconfigd
//     }
//   }
// }
```

## Sample main.cf file for CP server hosted on a single node that runs VCS

The following is an example of a single CP server node main.cf.

For this CP server single node main.cf, note the following values:

- Cluster name: cps1
- Node name: cps1

```
include "types.cf"
include "/opt/VRTScps/bin/Quorum/QuorumTypes.cf"

// cluster name: cps1
// CP server: cps1

cluster cps1 (
    UserNames = { admin = bMNFmHmJNiNNlVNhMK, haris = fopKojNvpHouNn,
                  "cps1.symantecexample.com@root@vx" = aj,
                  "root@cps1.symantecexample.com" = hq }
    Administrators = { admin, haris,
                       "cps1.symantecexample.com@root@vx",
                       "root@cps1.symantecexample.com" }
    SecureClus = 1
    HacliUserLevel = COMMANDROOT
)
```

```

system cps1 (
)

group CPSSG (
    SystemList = { cps1 = 0 }
    AutoStartList = { cps1 }
)

IP cpsvip1 (
    Critical = 0
    Device @cps1 = eth0
    Address = "10.209.3.1"
    NetMask = "255.255.252.0"
)

IP cpsvip2 (
    Critical = 0
    Device @cps1 = eth1
    Address = "10.209.3.2"
    NetMask = "255.255.252.0"
)

NIC cpsnic1 (
    Critical = 0
    Device @cps1 = eth0
    PingOptimize = 0
    NetworkHosts @cps1 = { "10.209.3.10" }
)

NIC cpsnic2 (
    Critical = 0
    Device @cps1 = eth1
    PingOptimize = 0
)

Process vxcperv (
    PathName = "/opt/VRTScps/bin/vxcperv"
    ConfInterval = 30
    RestartLimit = 3
)

Quorum quorum (

```

```

        QuorumResources = { cpsvip1, cpsvip2 }
    )

cpsvip1 requires cpsnic1
cpsvip2 requires cpsnic2
vxcpsserv requires quorum

// resource dependency tree
//
// group CPSSG
// {
// IP cpsvip1
//     {
//     NIC cpsnic1
//     }
// IP cpsvip2
//     {
//     NIC cpsnic2
//     }
// Process vxcpsserv
//     {
//     Quorum quorum
//     }
// }

```

## Sample main.cf file for CP server hosted on a two-node SFHA cluster

The following is an example of a main.cf, where the CP server is hosted on an SFHA cluster.

For this CP server hosted on an SFHA cluster main.cf, note the following values:

- Cluster name: cps1
- Nodes in the cluster: cps1, cps2

```

include "types.cf"
include "CFSTypes.cf"
include "CVMTTypes.cf"
include "/opt/VRTScps/bin/Quorum/QuorumTypes.cf"

// cluster: cps1
// CP servers:

```

```
// cps1
// cps2

cluster cps1 (
    UserNames = { admin = ajkCjeJgkFkkIskEjh,
                  "cps1.symantecexample.com@root@vx" = JK,
                  "cps2.symantecexample.com@root@vx" = dl }
    Administrators = { admin, "cps1.symantecexample.com@root@vx",
                       "cps2.symantecexample.com@root@vx" }
    SecureClus = 1
)

system cps1 (
)

system cps2 (
)

group CPSSG (
    SystemList = { cps1 = 0, cps2 = 1 }
    AutoStartList = { cps1, cps2 } )

    DiskGroup cpsdg (
        DiskGroup = cps_dg
    )

    IP cpsvip1 (
        Critical = 0
        Device @cps1 = eth0
        Device @cps2 = eth0
        Address = "10.209.81.88"
        NetMask = "255.255.252.0"
    )

    IP cpsvip2 (
        Critical = 0
        Device @cps1 = eth1
        Device @cps2 = eth1
        Address = "10.209.81.89"
        NetMask = "255.255.252.0"
    )

    Mount cpsmount (
```

```

        MountPoint = "/etc/VRTScps/db"
        BlockDevice = "/dev/vx/dsk/cps_dg/cps_volume"
        FSType = vxfs
        FsckOpt = "-y"
    )

NIC cpsnic1 (
    Critical = 0
    Device @cps1 = eth0
    Device @cps2 = eth0
    PingOptimize = 0
    NetworkHosts @cps1 = { "10.209.81.10" }
)

NIC cpsnic2 (
    Critical = 0
    Device @cps1 = eth1
    Device @cps2 = eth1
    PingOptimize = 0
)

Process vxcpserv (
    PathName = "/opt/VRTScps/bin/vxcpserv"
)

Quorum quorum (
    QuorumResources = { cpsvip1, cpsvip2 }
)

Volume cpsvol (
    Volume = cps_volume
    DiskGroup = cps_dg
)

cpismount requires cpsvol
cpsvip1 requires cpsnic1
cpsvip2 requires cpsnic2
cpsvol requires cpsdg
vxcpserv requires cpismount
vxcpserv requires quorum

// resource dependency tree

```

```
//  
// group CPSSG  
// {  
//   IP cpsvip1  
//     {  
//       NIC cpsnic1  
//     }  
//   IP cpsvip2  
//     {  
//       NIC cpsnic2  
//     }  
//   Process vxcpserv  
//     {  
//       Quorum quorum  
//       Mount cpsmount  
//         {  
//           Volume cpsvol  
//             {  
//               DiskGroup cpsdg  
//             }  
//           }  
//         }  
//     }  
// }
```

## Sample CP server configuration (/etc/vxcps.conf) file output

The following is an example of a coordination point server (CP server) configuration file `/etc/vxcps.conf` output.

```
## The vxcps.conf file determines the  
## configuration for Veritas CP Server.  
cps_name=cps1  
vip=[10.209.81.88]  
vip=[10.209.81.89]:56789  
port=14250  
security=1  
db=/etc/VRTScps/db
```



# Configuring the secure shell or the remote shell for communications

This appendix includes the following topics:

- [About configuring secure shell or remote shell communication modes before installing products](#)
- [Manually configuring and passwordless ssh](#)
- [Restarting the ssh session](#)
- [Enabling rsh for Linux](#)

## About configuring secure shell or remote shell communication modes before installing products

Establishing communication between nodes is required to install Veritas software from a remote system, or to install and configure a cluster. The node from which the installer is run must have permissions to run `rsh` (remote shell) or `ssh` (secure shell) utilities. You need to run the installer with superuser privileges on the systems where you plan to install Veritas software.

You can install products to remote systems using either secure shell (`ssh`) or remote shell (`rsh`). Symantec recommends that you use `ssh` as it is more secure than `rsh`.

This section contains an example of how to set up `ssh` password free communication. The example sets up `ssh` between a source system (`system1`) that contains the installation directories, and a target system (`system2`). This procedure also applies to multiple target systems.

---

**Note:** The script- and Web-based installers support establishing passwordless communication for you.

---

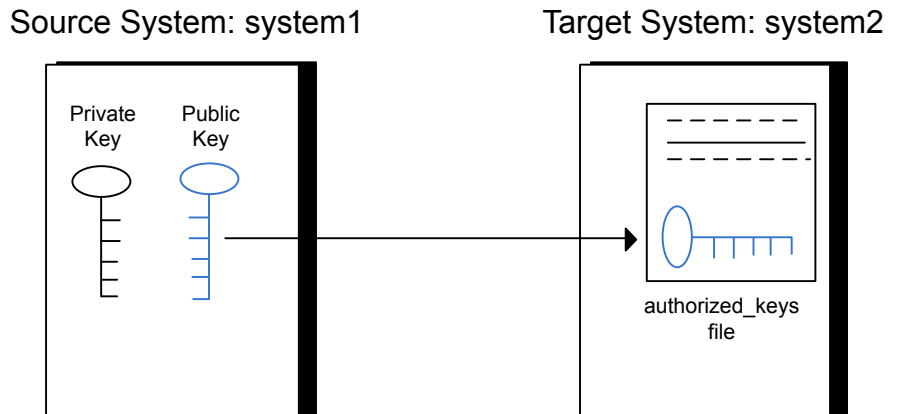
## Manually configuring and passwordless ssh

The ssh program enables you to log into and execute commands on a remote system. ssh enables encrypted communications and an authentication process between two untrusted hosts over an insecure network.

In this procedure, you first create a DSA key pair. From the key pair, you append the public key from the source system to the `authorized_keys` file on the target systems.

Figure D-1 illustrates this procedure.

**Figure D-1** Creating the DSA key pair and appending it to target systems



Read the ssh documentation and online manual pages before enabling ssh. Contact your operating system support provider for issues regarding ssh configuration.

Visit the OpenSSH website that is located at: <http://openssh.org> to access online manuals and other resources.

**To create the DSA key pair**

- 1 On the source system (system1), log in as root, and navigate to the root directory.

```
system1 # cd /root
```

- 2 To generate a DSA key pair on the source system, type the following command:

```
system1 # ssh-keygen -t dsa
```

System output similar to the following is displayed:

```
Generating public/private dsa key pair.  
Enter file in which to save the key (/root/.ssh/id_dsa):
```

- 3 Press Enter to accept the default location of /root/.ssh/id\_dsa.
- 4 When the program asks you to enter the passphrase, press the Enter key twice.

```
Enter passphrase (empty for no passphrase):
```

Do not enter a passphrase. Press Enter.

```
Enter same passphrase again:
```

Press Enter again.

- 5 Output similar to the following lines appears.

```
Your identification has been saved in /root/.ssh/id_dsa.  
Your public key has been saved in /root/.ssh/id_dsa.pub.  
The key fingerprint is:  
1f:00:e0:c2:9b:4e:29:b4:0b:6e:08:f8:50:de:48:d2 root@system1
```

**To append the public key from the source system to the authorized\_keys file on the target system, using secure file transfer**

- 1 From the source system (system1), move the public key to a temporary file on the target system (system2).

Use the secure file transfer program.

In this example, the file name `id_dsa.pub` in the root directory is the name for the temporary file for the public key.

Use the following command for secure file transfer:

```
system1 # sftp system2
```

If the secure file transfer is set up for the first time on this system, output similar to the following lines is displayed:

```
Connecting to system2 ...
The authenticity of host 'system2 (10.182.00.00)'
can't be established. DSA key fingerprint is
fb:6f:9f:61:91:9d:44:6b:87:86:ef:68:a6:fd:88:7d.
Are you sure you want to continue connecting (yes/no)?
```

- 2 Enter `yes`.

Output similar to the following is displayed:

```
Warning: Permanently added 'system2,10.182.00.00'
(DSA) to the list of known hosts.
root@system2 password:
```

- 3 Enter the root password of system2.
- 4 At the `sftp` prompt, type the following command:

```
sftp> put /root/.ssh/id_dsa.pub
```

The following output is displayed:

```
Uploading /root/.ssh/id_dsa.pub to /root/id_dsa.pub
```

- 5 To quit the SFTP session, type the following command:

```
sftp> quit
```

- 6 Add the `id_dsa.pub` keys to the `authorized_keys` file on the target system. To begin the `ssh` session on the target system (system2 in this example), type the following command on system1:

```
system1 # ssh system2
```

Enter the root password of system2 at the prompt:

```
password:
```

Type the following commands on system2:

```
system2 # cat /root/id_dsa.pub >> /root/.ssh/authorized_keys
system2 # rm /root/id_dsa.pub
```

- 7 When you install from a source system that is also an installation target, also add the local system `id_dsa.pub` key to the local `authorized_keys` file. The installation can fail if the installation source system is not authenticated.

To add the local system `id_dsa.pub` key to the local `authorized_keys` file, enter the following command:

```
system1 # cat /root/.ssh/id_dsa.pub >> /root/.ssh/authorized_keys
```

- 8 Run the following commands on the source installation system. If your `ssh` session has expired or terminated, you can also run these commands to renew the session. These commands bring the private key into the shell environment and make the key globally available to the user `root`:

```
system1 # exec /usr/bin/ssh-agent $SHELL
system1 # ssh-add
```

```
Identity added: /root/.ssh/id_dsa
```

This shell-specific step is valid only while the shell is active. You must execute the procedure again if you close the shell during the session.

#### To verify that you can connect to a target system

- 1 On the source system (system1), enter the following command:

```
system1 # ssh -l root system2 uname -a
```

where `system2` is the name of the target system.

- 2 The command should execute from the source system (system1) to the target system (system2) without the system requesting a passphrase or password.
- 3 Repeat this procedure for each target system.

## Restarting the ssh session

After you complete this procedure, ssh can be restarted in any of the following scenarios:

- After a terminal session is closed
- After a new terminal session is opened
- After a system is restarted
- After too much time has elapsed, to refresh ssh

### To restart ssh

- 1 On the source installation system (system1), bring the private key into the shell environment.

```
system1 # exec /usr/bin/ssh-agent $SHELL
```

- 2 Make the key globally available for the user `root`

```
system1 # ssh-add
```

## Enabling rsh for Linux

The following section describes how to enable remote shell.

Veritas recommends configuring a secure shell environment for Veritas product installations.

See [“Manually configuring and passwordless ssh”](#) on page 402.

See the operating system documentation for more information on configuring remote shell.

### To enable rsh

- 1 To ensure that the `rsh` and `rsh-server` RPMs are installed, type the following command:

```
# rpm -qa | grep -i rsh
```

If it is not already in the file, type the following command to append the line `"rsh"` to the `/etc/securetty` file:

```
# echo "rsh" >> /etc/securetty
```

- 2 Modify the line `disable = no` in the `/etc/xinetd.d/rsh` file.

- 3 In the `/etc/pam.d/rsh` file, change the "auth" type from "required" to "sufficient":

```
auth    sufficient
```

- 4 Add the "promiscuous" flag into `/etc/pam.d/rsh` and `/etc/pam.d/rlogin` after item "pam\_rhosts\_auth.so".
- 5 To enable the rsh server, type the following command:

```
# chkconfig rsh on
```

- 6 Modify the `.rhosts` file. Each line of the `.rhosts` file contains a fully qualified domain name or IP address for each remote system. This file also contains the name of a user having access to the local system. For example, if the root user must remotely access `system1` from `system2`, add an entry for `system2.companyname.com` to the `.rhosts` file on `system1` by typing the following command:

```
# echo "system2.companyname.com" >> $HOME/.rhosts
```

- 7 Install the Veritas product.

#### To disable rsh

- 1 Remove the "rsh" entry in the `/etc/securetty` file.
- 2 Disable the rsh server by typing the following command:

```
# chkconfig rsh off
```

- 3 After you complete an installation procedure, delete the `.rhosts` file from each user's `$HOME` directory to ensure security:

```
# rm -f $HOME/.rhosts
```

# Storage Foundation Cluster File System High Availability components

This appendix includes the following topics:

- [Veritas Storage Foundation Cluster File System High Availability installation RPMs](#)
- [Veritas Cluster Server installation RPMs](#)
- [Veritas Cluster File System installation RPMs](#)
- [Veritas Storage Foundation obsolete and reorganized installation RPMs](#)

## Veritas Storage Foundation Cluster File System High Availability installation RPMs

[Table E-1](#) shows the RPM name and contents for each English language RPM for Veritas Storage Foundation Cluster File System High Availability. The table also gives you guidelines for which RPMs to install based whether you want the minimum, recommended, or advanced configuration.

When you install all Veritas Storage Foundation Cluster File System High Availability and Veritas Cluster Server (VCS) RPMs, the combined functionality is called Veritas Storage Foundation Cluster File System High Availability and High Availability.

See [“Veritas Cluster Server installation RPMs”](#) on page 411.



**Table E-1** Veritas Storage Foundation Cluster File System High Availability RPMs

| RPMs       | Contents                                                                                                                                                                                                                                                | Configuration |
|------------|---------------------------------------------------------------------------------------------------------------------------------------------------------------------------------------------------------------------------------------------------------|---------------|
| VRTSaslapm | Veritas Array Support Library (ASL) and Array Policy Module(APM) binaries<br><br>Required for the support and compatibility of various storage arrays.                                                                                                  | Minimum       |
| VRTSperl   | Perl 5.14.2 for Veritas                                                                                                                                                                                                                                 | Minimum       |
| VRTSvlic   | Veritas License Utilities<br><br>Installs the license key layout files required to decode the Storage Foundation license keys. Provides the standard license key utilities vxlicrep, vxlicinst, and vxlictest.                                          | Minimum       |
| VRTSvxfs   | Veritas File System binaries<br><br>Required for VxFS file system support.                                                                                                                                                                              | Minimum       |
| VRTSvxvm   | Veritas Volume Manager binaries, scripts, and utilities. Required for VxVM volume manager support.                                                                                                                                                      | Minimum       |
| VRTSdbed   | Veritas Storage Foundation for Databases                                                                                                                                                                                                                | Recommended   |
| VRTSob     | Veritas Enterprise Administrator                                                                                                                                                                                                                        | Recommended   |
| VRTSodm    | Veritas ODM Driver for VxFS<br><br>Veritas Extension for Oracle Disk Manager is a custom storage interface designed specifically for Oracle9i and 10g. Oracle Disk Manager allows Oracle 9i and 10g to improve performance and manage system bandwidth. | Recommended   |

**Table E-1** Veritas Storage Foundation Cluster File System High Availability RPMs (*continued*)

| RPMs         | Contents                                                                                                                                                                                                                                                                                                                                                                                                                                                                                                                                                                                                                         | Configuration |
|--------------|----------------------------------------------------------------------------------------------------------------------------------------------------------------------------------------------------------------------------------------------------------------------------------------------------------------------------------------------------------------------------------------------------------------------------------------------------------------------------------------------------------------------------------------------------------------------------------------------------------------------------------|---------------|
| VRTSsfpci601 | <p>Veritas Storage Foundation Common Product Installer</p> <p>The Storage Foundation Common Product installer RPM contains the installer libraries and product scripts that perform the following:</p> <ul style="list-style-type: none"> <li>■ installation</li> <li>■ configuration</li> <li>■ upgrade</li> <li>■ uninstallation</li> <li>■ adding nodes</li> <li>■ removing nodes</li> <li>■ etc.</li> </ul> <p>You can use these script to simplify the native operating system installations, configurations, and upgrades.</p>                                                                                             | Minimum       |
| VRTSsfmh     | <p>Veritas Storage Foundation Managed Host</p> <p>Veritas Storage Foundation Managed Host is now called Veritas Operations Manager (VOM).</p> <p>Discovers configuration information on a Storage Foundation managed host. If you want a central server to manage and monitor this managed host, download and install the VRTSsfmcs package on a server, and add this managed host to the Central Server. The VRTSsfmcs package is not part of this release. You can download it separately from:</p> <p><a href="http://www.symantec.com/veritas-operations-manager">http://www.symantec.com/veritas-operations-manager</a></p> | Recommended   |
| VRTSspt      | Veritas Software Support Tools                                                                                                                                                                                                                                                                                                                                                                                                                                                                                                                                                                                                   | Recommended   |
| VRTSvcldr    | Contains the binaries for Veritas Cluster Server disk reservation.                                                                                                                                                                                                                                                                                                                                                                                                                                                                                                                                                               | Recommended   |

**Table E-1** Veritas Storage Foundation Cluster File System High Availability RPMs (*continued*)

| RPMs        | Contents                                                                                                                                                                                                       | Configuration |
|-------------|----------------------------------------------------------------------------------------------------------------------------------------------------------------------------------------------------------------|---------------|
| VRTSfssdk   | Veritas File System Software Developer Kit<br><br>For VxFS APIs, the RPM contains the public Software Developer Kit (headers, libraries, and sample code). It is required if some user programs use VxFS APIs. | All           |
| VRTSivmconv | Symantec Logical Volume Manager (LVM) volume converter<br><br>Converts offline Linux LVM managed volumes to VxVM volumes by rearranging media contents.                                                        | All           |

## Veritas Cluster Server installation RPMs

[Table E-2](#) shows the RPM name and contents for each English language RPM for Veritas Cluster Server (VCS). The table also gives you guidelines for which RPMs to install based on whether you want the minimum, recommended, or advanced configuration.

When you install all Storage Foundation and VCS RPMs, the combined functionality is called Storage Foundation and High Availability.

See [“Veritas Storage Foundation Cluster File System High Availability installation RPMs”](#) on page 408.

**Table E-2** VCS installation RPMs

| RPM     | Contents                                                              | Configuration |
|---------|-----------------------------------------------------------------------|---------------|
| VRTSgab | Veritas Cluster Server group membership and atomic broadcast services | Minimum       |
| VRTSilt | Veritas Cluster Server low-latency transport                          | Minimum       |
| VRTSamf | Veritas Cluster Server Asynchronous Monitoring Framework              | Minimum       |
| VRTSvc  | Veritas Cluster Server                                                | Minimum       |

**Table E-2** VCS installation RPMs (*continued*)

| RPM        | Contents                                                                                                                                                                                                                                | Configuration |
|------------|-----------------------------------------------------------------------------------------------------------------------------------------------------------------------------------------------------------------------------------------|---------------|
| VRTSvcstag | Veritas Cluster Server Bundled Agents                                                                                                                                                                                                   | Minimum       |
| VRTSvxfen  | Veritas I/O Fencing                                                                                                                                                                                                                     | Minimum       |
| VRTSvcsea  | Consolidated database and enterprise agent RPMs                                                                                                                                                                                         | Recommended   |
| VRTScps    | Veritas Coordination Point Server<br><br>The Coordination Point Server is an alternate mechanism for I/O fencing. It implements I/O fencing through a client/server architecture and can provide I/O fencing for multiple VCS clusters. | All           |

## Veritas Cluster File System installation RPMs

[Table E-3](#) shows the RPM name and contents for each English language RPM for Veritas Cluster File System (CFS). The table also gives you guidelines for which RPMs to install based on whether you want the minimum, recommended, or advanced configuration.

When you install all CFS RPMs and all the RPMs that comprise Storage Foundation and Veritas Cluster Server, the resulting functionality is called Storage Foundation Cluster File System.

See [“Veritas Storage Foundation Cluster File System High Availability installation RPMs”](#) on page 408.

See [“Veritas Cluster Server installation RPMs”](#) on page 411.

**Table E-3** CFS installation RPMs

| RPM      | Contents                                                                    | Configuration |
|----------|-----------------------------------------------------------------------------|---------------|
| VRTScavf | Veritas Cluster Server Agents for Storage Foundation Cluster File System    | Minimum       |
| VRTSglm  | Veritas Group Lock Manager for Storage Foundation Cluster File System       | Minimum       |
| VRTSgms  | Veritas Group Messaging Services for Storage Foundation Cluster File System | Recommended   |

# Veritas Storage Foundation obsolete and reorganized installation RPMs

Table E-4 lists the RPMs that are obsolete or reorganized for Veritas Storage Foundation Cluster File System High Availability.

**Table E-4** Veritas Storage Foundation obsolete and reorganized RPMs

| RPM                                | Description          |
|------------------------------------|----------------------|
| Obsolete and reorganized for 6.0.1 |                      |
| VRTSat                             | Obsolete             |
| VRTSatClient                       | Obsolete             |
| VRTSatServer                       | Obsolete             |
| Obsolete and reorganized for 5.1   |                      |
| Infrastructure                     |                      |
| SYMCIma                            | Obsolete             |
| VRTSaa                             | Included in VRTSsfmh |
| VRTSccg                            | Included in VRTSsfmh |
| VRTSdbms3                          | Obsolete             |
| VRTSicsco                          | Obsolete             |
| VRTSjre                            | Obsolete             |
| VRTSjre15                          | Obsolete             |
| VRTSmh                             | Included in VRTSsfmh |
| VRTSobc33                          | Obsolete             |
| VRTSobweb                          | Obsolete             |
| VRTSobgui                          | Obsolete             |
| VRTSspb                            | Obsolete             |
| VRTSsfm                            | Obsolete             |
| VRTSweb                            | Obsolete             |
| Product RPMs                       |                      |

**Table E-4** Veritas Storage Foundation obsolete and reorganized RPMs  
(continued)

| RPM              | Description                                                                                                                                                                                                                                                                                                                                            |
|------------------|--------------------------------------------------------------------------------------------------------------------------------------------------------------------------------------------------------------------------------------------------------------------------------------------------------------------------------------------------------|
| VRTSaclib        | Obsolete<br><br>The following information is for installations, upgrades, and uninstalls using the script- or Web-based installer. <ul style="list-style-type: none"><li>■ For fresh installations VRTSaclib is not installed.</li><li>■ For upgrades, VRTSaclib is not uninstalled.</li><li>■ For uninstalls, VRTSaclib is not uninstalled.</li></ul> |
| VRTSalloc        | Obsolete                                                                                                                                                                                                                                                                                                                                               |
| VRTScmccc        | Obsolete                                                                                                                                                                                                                                                                                                                                               |
| VRTScmcm         | Obsolete                                                                                                                                                                                                                                                                                                                                               |
| VRTScmcs         | Obsolete                                                                                                                                                                                                                                                                                                                                               |
| VRTScscm         | Obsolete                                                                                                                                                                                                                                                                                                                                               |
| VRTScscw         | Obsolete                                                                                                                                                                                                                                                                                                                                               |
| VRTScsocw        | Obsolete                                                                                                                                                                                                                                                                                                                                               |
| VRTScssim        | Obsolete                                                                                                                                                                                                                                                                                                                                               |
| VRTScutil        | Obsolete                                                                                                                                                                                                                                                                                                                                               |
| VRTSd2gui-common | Included in VRTSdbed                                                                                                                                                                                                                                                                                                                                   |
| VRTSdb2ed-common | Included in VRTSdbed                                                                                                                                                                                                                                                                                                                                   |
| VRTSdbcom-common | Included in VRTSdbed                                                                                                                                                                                                                                                                                                                                   |
| VRTSdbed-common  | Included in VRTSdbed                                                                                                                                                                                                                                                                                                                                   |
| VRTSdcli         | Obsolete                                                                                                                                                                                                                                                                                                                                               |
| VRTSddlpr        | Obsolete                                                                                                                                                                                                                                                                                                                                               |
| VRTSdsa          | Obsolete                                                                                                                                                                                                                                                                                                                                               |
| VRTSfsman        | Included in the product's main RPM.                                                                                                                                                                                                                                                                                                                    |
| VRTSfsmnd        | Included in the product's main RPM.                                                                                                                                                                                                                                                                                                                    |

**Table E-4** Veritas Storage Foundation obsolete and reorganized RPMs  
(continued)

| RPM               | Description                         |
|-------------------|-------------------------------------|
| VRTSfspro         | Included in VRTSsfmh                |
| VRTSmapro-common  | Included in VRTSsfmh                |
| VRTSodm-common    | Included in VRTSodm                 |
| VRTSodm-platform  | Included in VRTSodm                 |
| VRTSorgui-common  | Obsolete                            |
| VRTSvcldb         | Included in VRTSvcsea               |
| VRTSvcsmn         | Included in VRTSvcsc                |
| VRTSvcsor         | Included in VRTSvcsea               |
| VRTSvcsvr         | Included in VRTSvcsc                |
| VRTSvdid          | Obsolete                            |
| VRTSvmman         | Included in the product's main RPM. |
| VRTSvmpro         | Included in VRTSsfmh                |
| VRTSvrpro         | Included in VRTSob                  |
| VRTSvrw           | Obsolete                            |
| VRTSvxfs-common   | Included in VRTSvxfs                |
| VRTSvxfs-platform | Included in VRTSvxfs                |
| VRTSvxmsa         | Obsolete                            |
| VRTSvxvm-common   | Included in VRTSvxvm                |
| VRTSvxvm-platform | Included in VRTSvxvm                |
| Documentation     | All Documentation RPMs obsolete     |

# High availability agent information

This appendix includes the following topics:

- [About agents](#)
- [Enabling and disabling intelligent resource monitoring for agents manually](#)
- [CVMCluster agent](#)
- [CVMVxconfigd agent](#)
- [CVMVolDg agent](#)
- [CFSMount agent](#)
- [CFSfsckd agent](#)

## About agents

An agent is defined as a process that starts, stops, and monitors all configured resources of a type, and reports their status to Veritas Cluster Server (VCS). Agents have both entry points and attributes. Entry points are also known as agent functions and are referred to as "agent functions" throughout the document.

Attributes contain data about the agent. An attribute has a definition and a value. You change attribute values to configure resources, which are defined as the individual components that work together to provide application services to the public network. For example, a resource may be a physical component such as a disk or a network interface card, a software component such as Oracle or a Web server, or a configuration component such as an IP address or mounted file system.



Attributes are either optional or required, although sometimes the attributes that are optional in one configuration may be required in other configurations. Many optional attributes have predefined or default values, which you should change as required. A variety of internal use only attributes also exist. Do not modify these attributes—modifying them can lead to significant problems for your clusters. Attributes have type and dimension. Some attribute values can accept numbers, others can accept alphanumeric values or groups of alphanumeric values, while others are simple boolean on/off values.

The entry points and attributes for each SFCFSHA agent are described in this appendix.

## VCS agents included within SFCFSHA

SFCFSHA includes the following VCS agents:

- CVMCluster agent
- CVMVxconfigd agent
- CVMVolDg agent
- CFSSMount agent
- CFSfsckd
- Coordination Point agent

An SFCFSHA installation automatically configures the CVMCluster resource and the CVMVxconfigd resource.

You must configure the CVMVolDg agent for each shared disk group. If the database uses cluster file systems, configure the CFSSMount agent for each volume in the disk group.

Use the information in this appendix about the entry points and attributes of the listed agents to make necessary configuration changes. For information on how to modify the VCS configuration:

See the *Veritas Cluster Server Administrator's Guide*

## Enabling and disabling intelligent resource monitoring for agents manually

Review the following procedures to enable or disable intelligent resource monitoring manually. The intelligent resource monitoring feature is enabled by default. The IMF resource type attribute determines whether an IMF-aware agent must perform intelligent resource monitoring.

## To enable intelligent resource monitoring

- 1 Make the VCS configuration writable.

```
# haconf -makerw
```

- 2 Run the following command to enable intelligent resource monitoring.

- To enable intelligent monitoring of offline resources:

```
# hatype -modify resource_type IMF -update Mode 1
```

- To enable intelligent monitoring of online resources:

```
# hatype -modify resource_type IMF -update Mode 2
```

- To enable intelligent monitoring of both online and offline resources:

```
# hatype -modify resource_type IMF -update Mode 3
```

- 3 If required, change the values of the MonitorFreq key and the RegisterRetryLimit key of the IMF attribute.

Review the agent-specific recommendations in the attribute definition tables to set these attribute key values.

See [“Attribute definition for CVMVxconfigd agent”](#) on page 424.

See [“Attribute definition for CFSSMount agent”](#) on page 430.

See [“Attribute definition for CFSfsckd agent”](#) on page 434.

- 4 Save the VCS configuration.

```
# haconf -dump -makero
```

- 5 Restart the agent. Run the following commands on each node.

```
# haagent -stop agent_name -force -sys sys_name
```

```
# haagent -start agent_name -sys sys_name
```

### To disable intelligent resource monitoring

- 1 Make the VCS configuration writable.

```
# haconf -makerw
```

- 2 To disable intelligent resource monitoring for all the resources of a certain type, run the following command:

```
# hatype -modify resource_type IMF -update Mode 0
```

- 3 To disable intelligent resource monitoring for a specific resource, run the following command:

```
# hares -override resource_name IMF  
# hares -modify resource_name IMF -update Mode 0
```

- 4 Save the VCS configuration.

```
# haconf -dump -makero
```

---

**Note:** VCS provides `haimfconfig` script to enable or disable the IMF functionality for agents. You can use the script with VCS in running or stopped state. Use the script to enable or disable IMF for the IMF-aware bundled agents, enterprise agents, and custom agents.

---

## Administering the AMF kernel driver

Review the following procedures to start, stop, or unload the AMF kernel driver.

### To start the AMF kernel driver

- 1 Set the value of the `AMF_START` variable to 1 in the following file, if the value is not already 1:

```
# /etc/sysconfig/amf
```

- 2 Start the AMF kernel driver. Run the following command:

```
# /etc/init.d/amf start
```

### To stop the AMF kernel driver

- 1 Set the value of the AMF\_START variable to 0 in the following file, if the value is not already 0:

```
# /etc/sysconfig/amf
```

- 2 Stop the AMF kernel driver. Run the following command:

```
# /etc/init.d/amf stop
```

### To unload the AMF kernel driver

- 1 If agent downtime is not a concern, use the following steps to unload the AMF kernel driver:
  - Stop the agents that are registered with the AMF kernel driver.  
The `amfstat` command output lists the agents that are registered with AMF under the Registered Reapers section.  
See the `amfstat` manual page.
  - Stop the AMF kernel driver.  
See [“To stop the AMF kernel driver”](#) on page 420.
  - Start the agents.
- 2 If you want minimum downtime of the agents, use the following steps to unload the AMF kernel driver:
  - Run the following command to disable the AMF driver even if agents are still registered with it.

```
# amfconfig -Uof
```

- Stop the AMF kernel driver.  
See [“To stop the AMF kernel driver”](#) on page 420.

## CVMCluster agent

The CVMCluster agent controls system membership on the cluster port that is associated with Veritas Volume Manager (VxVM).

The CVMCluster agent performs the following functions:

- Joins a node to the CVM cluster port.
- Removes a node from the CVM cluster port.
- Monitors the node's cluster membership state.

## Entry points for CVMCluster agent

[Table F-1](#) describes the entry points used by the CVMCluster agent.

**Table F-1** CVMCluster agent entry points

| Entry Point | Description                                                                                                                               |
|-------------|-------------------------------------------------------------------------------------------------------------------------------------------|
| Online      | Joins a node to the CVM cluster port. Enables the Volume Manager cluster functionality by automatically importing the shared disk groups. |
| Offline     | Removes a node from the CVM cluster port.                                                                                                 |
| Monitor     | Monitors the node's CVM cluster membership state.                                                                                         |

## Attribute definition for CVMCluster agent

[Table F-2](#) describes the user-modifiable attributes of the CVMCluster resource type.

**Table F-2** CVMCluster agent attributes

| Attribute    | Description                                                                                                                                                                                            |
|--------------|--------------------------------------------------------------------------------------------------------------------------------------------------------------------------------------------------------|
| CVMClustName | Name of the cluster. <ul style="list-style-type: none"> <li>Type and dimension: string-scalar</li> </ul>                                                                                               |
| CVMNodeAddr  | List of host names and IP addresses. <ul style="list-style-type: none"> <li>Type and dimension: string-association</li> </ul>                                                                          |
| CVMNodeId    | Associative list. The first part names the system; the second part contains the LLT ID number for the system. <ul style="list-style-type: none"> <li>Type and dimension: string-association</li> </ul> |
| CVMTransport | Specifies the cluster messaging mechanism. <ul style="list-style-type: none"> <li>Type and dimension: string-scalar</li> <li>Default = gab</li> </ul> <p><b>Note:</b> Do not change this value.</p>    |
| PortConfigd  | The port number that is used by CVM for vxconfigd-level communication. <ul style="list-style-type: none"> <li>Type and dimension: integer-scalar</li> </ul>                                            |
| PortKmsgd    | The port number that is used by CVM for kernel-level communication. <ul style="list-style-type: none"> <li>Type and dimension: integer-scalar</li> </ul>                                               |

Table F-2 CVMCluster agent attributes (continued)

| Attribute  | Description                                                                                                                                                              |
|------------|--------------------------------------------------------------------------------------------------------------------------------------------------------------------------|
| CVMTimeout | Timeout in seconds used for CVM cluster reconfiguration. <ul style="list-style-type: none"> <li>■ Type and dimension: integer-scalar</li> <li>■ Default = 200</li> </ul> |

## CVMCluster agent type definition

The following type definition is included in the file, `CVMTypes.cf`:

```

type CVMCluster (
    static keylist RegList = { CVMNodePreference }
    static int NumThreads = 1
    static int OnlineRetryLimit = 2
    static int OnlineTimeout = 400
    static str ArgList[] = { CVMTransport, CVMClustName,
                            CVMNodeAddr, CVMNodeId, PortConfigd,
                            PortKmsgd, CVMTimeout }

    str CVMClustName
    str CVMNodeAddr{}
    str CVMNodeId{}
    str CVMTransport
    str CVMNodePreference
    int PortConfigd
    int PortKmsgd
    int CVMTimeout
)

```

---

**Note:** The attributes `CVMNodeAddr`, `PortConfigd`, and `PortKmsgd` are not used in an SFCFSHA environment. GAB, the required cluster communication messaging mechanism, does not use them.

---

## CVMCluster agent sample configuration

The following is an example definition for the CVMCluster service group:

```

CVMCluster cvm_clus (
    Critical = 0
    CVMClustName = clus1
    CVMNodeId = { sys1 = 0, sys2 = 1 }
    CVMTransport = gab
)

```

```
CVMTimeout = 200
)
```

## CVMVxconfigd agent

The CVMVxconfigd agent starts and monitors the vxconfigd daemon. The vxconfigd daemon maintains disk and disk group configurations, communicates configuration changes to the kernel, and modifies the configuration information that is stored on disks. CVMVxconfigd must be present in the CVM service group.

The CVMVxconfigd agent is an OnOnly agent; the agent starts the resource when the cluster starts up and VCS restarts the resource when necessary. The Operations attribute specifies these default aspects of startup.

Symantec recommends starting the vxconfigd daemon with the `syslog` option, which enables logging of debug messages. Note that the SFCFSHA installation configures the `syslog` option for the CVMVxconfigd agent.

This agent is IMF-aware and uses asynchronous monitoring framework (AMF) kernel driver for IMF notification. For more information about the Intelligent Monitoring Framework (IMF) and intelligent resource monitoring, refer to the *Veritas Cluster Server Administrator's Guide*.

## Entry points for CVMVxconfigd agent

[Table F-3](#) describes the entry points for the CVMVxconfigd agent.

**Table F-3** CVMVxconfigd entry points

| Entry Point                      | Description                                                                                                                                                                                                                                                                                                         |
|----------------------------------|---------------------------------------------------------------------------------------------------------------------------------------------------------------------------------------------------------------------------------------------------------------------------------------------------------------------|
| Online                           | Starts the <code>vxconfigd</code> daemon                                                                                                                                                                                                                                                                            |
| Offline                          | N/A                                                                                                                                                                                                                                                                                                                 |
| Monitor                          | Monitors whether <code>vxconfigd</code> daemon is running                                                                                                                                                                                                                                                           |
| <code>imf_init</code>            | Initializes the agent to interface with the AMF kernel module. This function runs when the agent starts up.                                                                                                                                                                                                         |
| <code>imf_getnotification</code> | Gets notification about the <code>vxconfigd</code> process state. This function runs after the agent initializes with the AMF kernel module. This function continuously waits for notification. If the <code>vxconfigd</code> process fails, the function initiates a traditional CVMVxconfigd monitor entry point. |

**Table F-3** CVMVxconfigd entry points (*continued*)

| Entry Point  | Description                                                                                                                                                           |
|--------------|-----------------------------------------------------------------------------------------------------------------------------------------------------------------------|
| imf_register | Registers or unregisters the <code>vxconfigd</code> process id (pid) with the AMF kernel module. This function runs after the resource goes into steady online state. |

## Attribute definition for CVMVxconfigd agent

[Table F-4](#) describes the modifiable attributes of the CVMVxconfigd resource type.

**Table F-4** CVMVxconfigd agent attribute

| Attribute        | Description                                                                                                                                                                                                                        |
|------------------|------------------------------------------------------------------------------------------------------------------------------------------------------------------------------------------------------------------------------------|
| CVMVxconfigdArgs | List of the arguments that are sent to the <code>online</code> entry point.<br>Symantec recommends always specifying the <code>syslog</code> option. <ul style="list-style-type: none"><li>■ Type and dimension: keylist</li></ul> |



Table F-4 CVMVxconfigd agent attribute (continued)

| Attribute | Description                                                                                                                                                                                                                                                                                                                                                                                                                                                                                                                                                                                                                                                                                                                                                                                                                                                                                                                                                                                                                                                                                                                                                                                                                                                                                                                                                                                                                                                                                                                                                                                                                                                                                                                                                                                                                                                                                                                                                                                                                                                                                                                                                            |
|-----------|------------------------------------------------------------------------------------------------------------------------------------------------------------------------------------------------------------------------------------------------------------------------------------------------------------------------------------------------------------------------------------------------------------------------------------------------------------------------------------------------------------------------------------------------------------------------------------------------------------------------------------------------------------------------------------------------------------------------------------------------------------------------------------------------------------------------------------------------------------------------------------------------------------------------------------------------------------------------------------------------------------------------------------------------------------------------------------------------------------------------------------------------------------------------------------------------------------------------------------------------------------------------------------------------------------------------------------------------------------------------------------------------------------------------------------------------------------------------------------------------------------------------------------------------------------------------------------------------------------------------------------------------------------------------------------------------------------------------------------------------------------------------------------------------------------------------------------------------------------------------------------------------------------------------------------------------------------------------------------------------------------------------------------------------------------------------------------------------------------------------------------------------------------------------|
| IMF       | <p>This resource-type level attribute determines whether the CVMVxconfigd agent must perform intelligent resource monitoring. You can also override the value of this attribute at resource-level.</p> <p>This attribute includes the following keys:</p> <ul style="list-style-type: none"> <li>■ Mode: Define this attribute to enable or disable intelligent resource monitoring. Valid values are as follows: <ul style="list-style-type: none"> <li>■ 0—Does not perform intelligent resource monitoring</li> <li>■ 2—Performs intelligent resource monitoring for online resources and performs poll-based monitoring for offline resources</li> </ul> Default: 0 </li> <li>■ MonitorFreq: This key value specifies the frequency at which the agent invokes the monitor agent function. The value of this key is an integer. Default: 1<br/>You can set this key to a non-zero value for cases where the agent requires to perform both poll-based and intelligent resource monitoring. If the value is 0, the agent does not perform poll-based process check monitoring.<br/>After the resource registers with the AMF kernel driver, the agent calls the monitor agent function as follows: <ul style="list-style-type: none"> <li>■ After every (MonitorFreq x MonitorInterval) number of seconds for online resources</li> <li>■ After every (MonitorFreq x OfflineMonitorInterval) number of seconds for offline resources</li> </ul> </li> <li>■ RegisterRetryLimit: If you enable intelligent resource monitoring, the agent invokes the imf_register agent function to register the resource with the AMF kernel driver. The value of the RegisterRetyLimit key determines the number of times the agent must retry registration for a resource. If the agent cannot register the resource within the limit that is specified, then intelligent monitoring is disabled until the resource state changes or the value of the Mode key changes. Default: 3.</li> <li>■ Type and dimension: integer-association</li> </ul> <p>For more details of IMF attribute for the agent type, refer to the <i>Veritas Cluster Server Administrator's Guide</i>.</p> |

## CVMVxconfigd agent type definition

The following type definition is included in the CVMTypes.cf file:

```
type CVMVxconfigd (
    static int IMF{} = { Mode=2, MonitorFreq=1, RegisterRetryLimit=3 }
    static int FaultOnMonitorTimeouts = 2
```

```

static int RestartLimit = 5
static str ArgList[] = { CVMVxconfigdArgs }
static str Operations = OnOnly
keylist CVMVxconfigdArgs
)

```

## CVMVxconfigd agent sample configuration

The following is an example definition for the `CVMVxconfigd` resource in the CVM service group:

```

CVMVxconfigd cvm_vxconfigd (
    Critical = 0
    CVMVxconfigdArgs = { syslog }
)

```

## CVMVoIDg agent

The CVMVoIDg agent manages the CVM disk groups and CVM volumes and volume sets within the disk groups by performing the following functions:

- Imports the shared disk group from the CVM master node
- Starts the volumes and volume sets in the disk group
- Monitors the disk group, volumes, and volume sets
- Optionally, deports the disk group when the dependent applications are taken offline. The agent deports the disk group only if the appropriate attribute is set.

Configure the CVMVoIDg agent for each disk group used by a Oracle service group. A disk group must be configured to only one Oracle service group. If cluster file systems are used for the database, configure the CFSSMount agent for each volume or volume set in the disk group.

## Entry points for CVMVoIDg agent

[Table F-5](#) describes the entry points used by the CVMVoIDg agent.

**Table F-5** CVMVoIDg agent entry points

| Entry Point | Description                                                                                                                                                                                                                                                                                                                                                                                                                                                                                                                                                                                                |
|-------------|------------------------------------------------------------------------------------------------------------------------------------------------------------------------------------------------------------------------------------------------------------------------------------------------------------------------------------------------------------------------------------------------------------------------------------------------------------------------------------------------------------------------------------------------------------------------------------------------------------|
| Online      | <p>Imports the shared disk group from the CVM master node, if the disk group is not already imported.</p> <p>Starts all volumes and volume sets in the shared disk group specified by the CVMVolume attribute.</p> <p>Sets the disk group activation mode to shared-write if the value of the CVMActivation attribute is sw. You can set the activation mode on both slave and master systems.</p>                                                                                                                                                                                                         |
| Offline     | <p>Removes the temporary files created by the online entry point.</p> <p>If the <code>CVMDeportOnOffline</code> attribute is set to 1 and if the shared disk group does not contain open volumes on any node in the cluster, the disk group is deported from the CVM master node.</p>                                                                                                                                                                                                                                                                                                                      |
| Monitor     | <p>Determines whether the disk group, the volumes, and the volume sets are online.</p> <p>The agent takes a volume set offline if the file system metadata volume of a volume set is discovered to be offline in a monitor cycle.</p> <p><b>Note:</b> If the CFSMount resource goes offline and the file system on the volume set is unmounted, the agent retains the online state of the volume set even if the file system metadata volume in the volume set is offline. This is because the CVMVoIDg agent is unable to determine whether or not the volumes that are offline are metadata volumes.</p> |
| Clean       | Removes the temporary files created by the online entry point.                                                                                                                                                                                                                                                                                                                                                                                                                                                                                                                                             |

## Attribute definition for CVMVoIDg agent

[Table F-6](#) describes the user-modifiable attributes of the CVMVoIDg resource type.

**Table F-6** CVMVoIDg agent attributes

| Attribute               | Description                                                                                                        |
|-------------------------|--------------------------------------------------------------------------------------------------------------------|
| CVMDiskGroup (required) | <p>Shared disk group name.</p> <ul style="list-style-type: none"> <li>Type and dimension: string-scalar</li> </ul> |

Table F-6 CVMVoIDg agent attributes (continued)

| Attribute                     | Description                                                                                                                                                                                                                                                                                                                                                                                                                                                                                                                                                                                                                                                                                                                                                                                                                                                                                                                                                                                                                                                                                                                                                                                                                                                                                                                         |
|-------------------------------|-------------------------------------------------------------------------------------------------------------------------------------------------------------------------------------------------------------------------------------------------------------------------------------------------------------------------------------------------------------------------------------------------------------------------------------------------------------------------------------------------------------------------------------------------------------------------------------------------------------------------------------------------------------------------------------------------------------------------------------------------------------------------------------------------------------------------------------------------------------------------------------------------------------------------------------------------------------------------------------------------------------------------------------------------------------------------------------------------------------------------------------------------------------------------------------------------------------------------------------------------------------------------------------------------------------------------------------|
| CVMVolume (required)          | <p>Name of shared volumes or volume sets. This list is used to check that the volumes or volume sets are in the correct state before allowing the resource to come online, and that the volumes remain in an enabled state.</p> <ul style="list-style-type: none"> <li>■ Type and dimension: string-keylist</li> </ul>                                                                                                                                                                                                                                                                                                                                                                                                                                                                                                                                                                                                                                                                                                                                                                                                                                                                                                                                                                                                              |
| CVMActivation (required)      | <p>Activation mode for the disk group.</p> <ul style="list-style-type: none"> <li>■ Type and dimension: string-scalar</li> <li>■ Default = <code>sw</code> (<code>shared-write</code>)</li> </ul> <p>This is a localized attribute.</p>                                                                                                                                                                                                                                                                                                                                                                                                                                                                                                                                                                                                                                                                                                                                                                                                                                                                                                                                                                                                                                                                                             |
| CVMVolumeIoTest(optional)     | <p>List of volumes and volume sets that will be periodically polled to test availability. The polling is in the form of 4 KB reads every monitor cycle to a maximum of 10 of the volumes or volume sets in the list. For volume sets, reads are done on a maximum of 10 component volumes in each volume set.</p> <ul style="list-style-type: none"> <li>■ Type and dimension: string-keylist</li> </ul>                                                                                                                                                                                                                                                                                                                                                                                                                                                                                                                                                                                                                                                                                                                                                                                                                                                                                                                            |
| CVMDeportOnOffline (optional) | <p>Indicates whether or not the shared disk group must be deported when the last online CVMVoIDg resource for a disk group is taken offline.</p> <p>The value 1 indicates that the agent will deport the shared disk group from the CVM master node, if not already deported, when the last online CVMVoIDg resource for the disk group is taken offline.</p> <p>The value 0 indicates that the agent will not deport the shared disk group when the CVMVoIDg resource is taken offline.</p> <ul style="list-style-type: none"> <li>■ Type and dimension: integer-scalar</li> <li>■ Default = 0</li> </ul> <p><b>Note:</b> If multiple CVMVoIDg resources are configured for a shared disk group, set the value of the attribute to either 1 or 0 for all of the resources.</p> <p>The CVM disk group is deported based on the order in which the CVMVoIDg resources are taken offline. If the CVMVoIDg resources in the disk group contain a mixed setting of 1 and 0 for the <code>CVMDeportOnOffline</code> attribute, the disk group is deported only if the attribute value is 1 for the last CVMVoIDg resource taken offline. If the attribute value is 0 for the last CVMVoIDg resource taken offline, the disk group is not deported.</p> <p>The deport operation fails if the shared disk group contains open volumes.</p> |

## CVMVoIDg agent type definition

The `CVMTypes.cf` file includes the CVMVoIDg type definition:

```

type CVMVolDg (
    static keylist RegList = { CVMActivation, CVMVolume }
    static int OnlineRetryLimit = 2
    static int OnlineTimeout = 400
    static keylist ExternalStateChange = { OnlineGroup }
    static str ArgList[] = { CVMDiskGroup, CVMVolume, CVMActivation,
                            CVMVolumeIoTest, CVMDGAction, CVMDeportOnOff
                            CVMDeactivateOnOffline, State }

    str CVMDiskGroup
    str CVMDGAction
    keylist CVMVolume
    str CVMActivation
    keylist CVMVolumeIoTest
    int CVMDeportOnOffline
    int CVMDeactivateOnOffline
    temp int voldg_stat
)

```

## CVMVolDg agent sample configuration

Each Oracle service group requires a CVMVolDg resource type to be defined. The following is a sample configuration:

```

CVMVolDg cvmvoldg1 (
    Critical = 0
    CVMDiskgroup = testdg
    CVMVolume = { vol1, vol2, mvoll, mvoll2, snapvol, vset1 }
    CVMVolumeIoTest = { snapvol, vset1 }
    CVMActivation @system1 = sw
    CVMActivation @system2 = sw
    CVMDeportOnOffline = 1
)

```

## CFSMount agent

The CFSMount agent brings online, takes offline, and monitors a cluster file system mount point.

The agent executable is located in `/opt/VRTSvcs/bin/CFSMount/CFSMountAgent`.

The CFSMount type definition is described in the `/etc/VRTSvcs/conf/config/CFSTypes.cf` file.

This agent is IMF-aware and uses asynchronous monitoring framework (AMF) kernel driver for IMF notification. For more information about the Intelligent Monitoring

Framework (IMF) and intelligent resource monitoring, refer to the *Veritas Cluster Server Administrator's Guide*.

## Entry points for CFSMount agent

Table F-7 provides the entry points for the CFSMount agent.

**Table F-7** CFSMount agent entry points

| Entry Point         | Description                                                                                                                                                                                                                      |
|---------------------|----------------------------------------------------------------------------------------------------------------------------------------------------------------------------------------------------------------------------------|
| Online              | Mounts a block device in cluster mode.                                                                                                                                                                                           |
| Offline             | Unmounts the file system, forcing unmount if necessary, and sets primary to secondary if necessary.                                                                                                                              |
| Monitor             | Determines if the file system is mounted. Checks mount status using the <code>fsclustadm</code> command.                                                                                                                         |
| Clean               | Generates a null operation for a cluster file system mount.                                                                                                                                                                      |
| imf_init            | Initializes the agent to interface with the AMF kernel driver, which is the IMF notification module for the agent. This function runs when the agent starts up.                                                                  |
| imf_getnotification | Gets notification about resource state changes. This function runs after the agent initializes with the AMF kernel module. This function continuously waits for notification and takes action on the resource upon notification. |
| imf_register        | Registers or unregisters resource entities with the AMF kernel module. This function runs for each resource after the resource goes into steady state (online or offline).                                                       |

## Attribute definition for CFSMount agent

Table F-8 lists user-modifiable attributes of the CFSMount Agent resource type.

**Table F-8** CFSMount Agent attributes

| Attribute   | Description                                                                                                           |
|-------------|-----------------------------------------------------------------------------------------------------------------------|
| MountPoint  | Directory for the mount point. <ul style="list-style-type: none"> <li>Type and dimension: string-scalar</li> </ul>    |
| BlockDevice | Block device for the mount point. <ul style="list-style-type: none"> <li>Type and dimension: string-scalar</li> </ul> |

**Table F-8** CFSMount Agent attributes (*continued*)

| Attribute | Description                                                                                                                                                                                                                                                                                                                                                                                                                                                                                                                                                                                                                                                                                                                                                                                                                                                                                                                                                                                                                                                                                                                                                                                                                                                                                                                                                                                                                                                                                                                                                                                                                                                                                                                                                                                                                                                                                                                                                                                                                                                                                                                                                                                                                                                                                                                                                                                                  |
|-----------|--------------------------------------------------------------------------------------------------------------------------------------------------------------------------------------------------------------------------------------------------------------------------------------------------------------------------------------------------------------------------------------------------------------------------------------------------------------------------------------------------------------------------------------------------------------------------------------------------------------------------------------------------------------------------------------------------------------------------------------------------------------------------------------------------------------------------------------------------------------------------------------------------------------------------------------------------------------------------------------------------------------------------------------------------------------------------------------------------------------------------------------------------------------------------------------------------------------------------------------------------------------------------------------------------------------------------------------------------------------------------------------------------------------------------------------------------------------------------------------------------------------------------------------------------------------------------------------------------------------------------------------------------------------------------------------------------------------------------------------------------------------------------------------------------------------------------------------------------------------------------------------------------------------------------------------------------------------------------------------------------------------------------------------------------------------------------------------------------------------------------------------------------------------------------------------------------------------------------------------------------------------------------------------------------------------------------------------------------------------------------------------------------------------|
| NodeList  | <p>List of nodes on which to mount. If NodeList is NULL, the agent uses the service group system list.</p> <ul style="list-style-type: none"> <li>■ Type and dimension: string-keylist</li> </ul>                                                                                                                                                                                                                                                                                                                                                                                                                                                                                                                                                                                                                                                                                                                                                                                                                                                                                                                                                                                                                                                                                                                                                                                                                                                                                                                                                                                                                                                                                                                                                                                                                                                                                                                                                                                                                                                                                                                                                                                                                                                                                                                                                                                                            |
| IMF       | <p>Resource-type level attribute that determines whether the CFSMount agent must perform intelligent resource monitoring. You can also override the value of this attribute at resource-level.</p> <p>This attribute includes the following keys:</p> <ul style="list-style-type: none"> <li>■ Mode: Define this attribute to enable or disable intelligent resource monitoring.<br/> Valid values are as follows: <ul style="list-style-type: none"> <li>■ 0—Does not perform intelligent resource monitoring</li> <li>■ 1—Performs intelligent resource monitoring for offline resources and performs poll-based monitoring for online resources</li> <li>■ 2—Performs intelligent resource monitoring for online resources and performs poll-based monitoring for offline resources</li> <li>■ 3—Performs intelligent resource monitoring for both online and for offline resources</li> </ul> Default: 0</li> <li>■ MonitorFreq: This key value specifies the frequency at which the agent invokes the monitor agent function. The value of this key is an integer.<br/> Default: 1<br/> You can set this key to a non-zero value for cases where the agent requires to perform both poll-based and intelligent resource monitoring. If the value is 0, the agent does not perform poll-based process check monitoring.<br/> After the resource registers with the AMF kernel driver, the agent calls the monitor agent function as follows: <ul style="list-style-type: none"> <li>■ After every (MonitorFreq x MonitorInterval) number of seconds for online resources</li> <li>■ After every (MonitorFreq x OfflineMonitorInterval) number of seconds for offline resources</li> </ul> </li> <li>■ RegisterRetryLimit: If you enable intelligent resource monitoring, the agent invokes the imf_register agent function to register the resource with the AMF kernel driver. The value of the RegisterRetyLimit key determines the number of times the agent must retry registration for a resource. If the agent cannot register the resource within the limit that is specified, then intelligent monitoring is disabled until the resource state changes or the value of the Mode key changes.<br/> Default: 3.</li> <li>■ Type and dimension: integer-association</li> </ul> <p>See <a href="#">“Enabling and disabling intelligent resource monitoring for agents manually”</a> on page 417.</p> |

**Table F-8** CFSMount Agent attributes (*continued*)

| Attribute              | Description                                                                                                                                                                                                                                                                                                                                                                                                                                                                                                                                                                              |
|------------------------|------------------------------------------------------------------------------------------------------------------------------------------------------------------------------------------------------------------------------------------------------------------------------------------------------------------------------------------------------------------------------------------------------------------------------------------------------------------------------------------------------------------------------------------------------------------------------------------|
| MountOpt<br>(optional) | <p>Options for the mount command. To create a valid MountOpt attribute string:</p> <ul style="list-style-type: none"> <li>Use the VxFS type-specific options only.</li> <li>Do not use the <code>-o</code> flag to specify the VxFS-specific options.</li> <li>Do not use the <code>-t vxfs</code> file system type option.</li> <li>Be aware the cluster option is not required.</li> <li>Specify options in comma-separated list: <pre>ro ro,cluster blkclear,mincache=closesync</pre> </li> </ul> <ul style="list-style-type: none"> <li>Type and dimension: string-scalar</li> </ul> |
| Policy (optional)      | <p>List of nodes to assume the primaryship of the cluster file system if the primary fails. If set to NULL or if none of the hosts specified in the list is active when the primary fails, a node is randomly selected from the set of active nodes to assume primaryship.</p> <ul style="list-style-type: none"> <li>Type and dimension: string-scalar</li> </ul>                                                                                                                                                                                                                       |

## CFSMount agent type definition

The `CFSTypes.cf` file includes the CFSMount agent type definition:

```
type CFSMount (
    static int IMF{} = { Mode=3, MonitorFreq=1, RegisterRetryLimit=3 }
    static keylist RegList = { MountOpt, Policy, NodeList, ForceOff, SetPrimary }
    static keylist SupportedActions = { primary }
    static int FaultOnMonitorTimeouts = 1
    static int OnlineWaitLimit = 1
    static str ArgList[] = { MountPoint, BlockDevice, MountOpt, Primary, AMFMountType }
    str MountPoint
    str MountType
    str BlockDevice
    str MountOpt
    keylist NodeList
    keylist Policy
    temp str Primary
    str SetPrimary
    temp str RemountRes
    temp str AMFMountType
```



```

str ForceOff
)

```

## CFSMount agent sample configuration

Each Oracle service group requires a CFSMount resource type to be defined:

```

CFSMount ora_mount (
    MountPoint = "/oradata"
    BlockDevice = "/dev/vx/dsk/oradatadg/oradatavol1"
    Primary = sys2;
)

```

To see CFSMount defined in a more extensive example:

## CFSfsckd agent

The CFSfsckd agent starts, stops, and monitors the `vxfsckd` process. The CFSfsckd agent executable is `/opt/VRTSvcs/bin/CFSfsckd/CFSfsckdAgent`. The type definition is in the `/etc/VRTSvcs/conf/config/CFSTypes.cf` file. The configuration is added to the `main.cf` file after running the `cfsccluster config` command.

This agent is IMF-aware and uses asynchronous monitoring framework (AMF) kernel driver for IMF notification. For more information about the Intelligent Monitoring Framework (IMF) and intelligent resource monitoring, refer to the *Veritas Cluster Server Administrator's Guide*.

## Entry points for CFSfsckd agent

[Table F-9](#) describes the CFSfsckd agent entry points.

**Table F-9** CFSfsckd agent entry points

| Entry Points          | Description                                                                                                                                                     |
|-----------------------|-----------------------------------------------------------------------------------------------------------------------------------------------------------------|
| Online                | Starts the <code>vxfsckd</code> process.                                                                                                                        |
| Offline               | Kills the <code>vxfsckd</code> process.                                                                                                                         |
| Monitor               | Checks whether the <code>vxfsckd</code> process is running.                                                                                                     |
| Clean                 | A null operation for a cluster file system mount.                                                                                                               |
| <code>imf_init</code> | Initializes the agent to interface with the AMF kernel driver, which is the IMF notification module for the agent. This function runs when the agent starts up. |

**Table F-9** CFSfsckd agent entry points (*continued*)

| Entry Points        | Description                                                                                                                                                                                                                      |
|---------------------|----------------------------------------------------------------------------------------------------------------------------------------------------------------------------------------------------------------------------------|
| imf_getnotification | Gets notification about resource state changes. This function runs after the agent initializes with the AMF kernel module. This function continuously waits for notification and takes action on the resource upon notification. |
| imf_register        | Registers or unregisters resource entities with the AMF kernel module. This function runs for each resource after the resource goes into steady state (online or offline).                                                       |

## Attribute definition for CFSfsckd agent

[Table F-10](#) lists user-modifiable attributes of the CFSfsckd Agent resource type.

Table F-10 CFSfsckd Agent attributes

| Attribute | Description                                                                                                                                                                                                                                                                                                                                                                                                                                                                                                                                                                                                                                                                                                                                                                                                                                                                                                                                                                                                                                                                                                                                                                                                                                                                                                                                                                                                                                                                                                                                                                                                                                                                                                                                                                                                                                                                                                                                                                                                                                                                                                                                                                                                                                                                                                                                                                                                                          |
|-----------|--------------------------------------------------------------------------------------------------------------------------------------------------------------------------------------------------------------------------------------------------------------------------------------------------------------------------------------------------------------------------------------------------------------------------------------------------------------------------------------------------------------------------------------------------------------------------------------------------------------------------------------------------------------------------------------------------------------------------------------------------------------------------------------------------------------------------------------------------------------------------------------------------------------------------------------------------------------------------------------------------------------------------------------------------------------------------------------------------------------------------------------------------------------------------------------------------------------------------------------------------------------------------------------------------------------------------------------------------------------------------------------------------------------------------------------------------------------------------------------------------------------------------------------------------------------------------------------------------------------------------------------------------------------------------------------------------------------------------------------------------------------------------------------------------------------------------------------------------------------------------------------------------------------------------------------------------------------------------------------------------------------------------------------------------------------------------------------------------------------------------------------------------------------------------------------------------------------------------------------------------------------------------------------------------------------------------------------------------------------------------------------------------------------------------------------|
| IMF       | <p>Resource-type level attribute that determines whether the CFSfsckd agent must perform intelligent resource monitoring. You can also override the value of this attribute at resource-level.</p> <p>This attribute includes the following keys:</p> <ul style="list-style-type: none"> <li>■ <b>Mode:</b> Define this attribute to enable or disable intelligent resource monitoring.<br/>Valid values are as follows: <ul style="list-style-type: none"> <li>■ 0—Does not perform intelligent resource monitoring</li> <li>■ 1—Performs intelligent resource monitoring for offline resources and performs poll-based monitoring for online resources</li> <li>■ 2—Performs intelligent resource monitoring for online resources and performs poll-based monitoring for offline resources</li> <li>■ 3—Performs intelligent resource monitoring for both online and for offline resources</li> </ul> Default: 0 </li> <li>■ <b>MonitorFreq:</b> This key value specifies the frequency at which the agent invokes the monitor agent function. The value of this key is an integer.<br/>Default: 1<br/>You can set this key to a non-zero value for cases where the agent requires to perform both poll-based and intelligent resource monitoring. If the value is 0, the agent does not perform poll-based process check monitoring.<br/>After the resource registers with the AMF kernel driver, the agent calls the monitor agent function as follows: <ul style="list-style-type: none"> <li>■ After every (MonitorFreq x MonitorInterval) number of seconds for online resources</li> <li>■ After every (MonitorFreq x OfflineMonitorInterval) number of seconds for offline resources</li> </ul> </li> <li>■ <b>RegisterRetryLimit:</b> If you enable intelligent resource monitoring, the agent invokes the imf_register agent function to register the resource with the AMF kernel driver. The value of the RegisterRetyLimit key determines the number of times the agent must retry registration for a resource. If the agent cannot register the resource within the limit that is specified, then intelligent monitoring is disabled until the resource state changes or the value of the Mode key changes.<br/>Default: 3.</li> <li>■ <b>Type and dimension:</b> integer-association</li> </ul> <p>See <a href="#">“Enabling and disabling intelligent resource monitoring for agents manually”</a> on page 417.</p> |

## CFSfsckd agent type definition

The CFSfsckd type definition:

```
type CFSfsckd (
    static int IMF{} = { Mode=3, MonitorFreq=1, RegisterRetryLimit=3 }
    static int RestartLimit = 1
```

```
        str ActivationMode{}  
    )
```

## CFSfsckd agent sample configuration

This is a sample of CFSfsckd configuration:

```
CFSfsckd vxfckd (  
)
```

# Troubleshooting the SFCFSHA installation

This appendix includes the following topics:

- [Restarting the installer after a failed connection](#)
- [What to do if you see a licensing reminder](#)
- [Storage Foundation Cluster File System High Availability installation issues](#)
- [Storage Foundation Cluster File System High Availability problems](#)
- [Installer cannot create UUID for the cluster](#)
- [The vxfsenthdw utility fails when SCSI TEST UNIT READY command fails](#)
- [Troubleshooting CP server](#)
- [Troubleshooting server-based fencing on the SFCFSHA cluster nodes](#)
- [Troubleshooting the webinstaller](#)

## Restarting the installer after a failed connection

If an installation is killed because of a failed connection, you can restart the installer to resume the installation. The installer detects the existing installation. The installer prompts you whether you want to resume the installation. If you resume the installation, the installation proceeds from the point where the installation failed.

## What to do if you see a licensing reminder

In this release, you can install without a license key. In order to comply with the End User License Agreement, you must either install a license key or make the host managed by a Management Server. If you do not comply with these terms within 60 days, the following warning messages result:

```
WARNING V-365-1-1 This host is not entitled to run Veritas Storage
Foundation/Veritas Cluster Server.As set forth in the End User
License Agreement (EULA) you must complete one of the two options
set forth below. To comply with this condition of the EULA and
stop logging of this message, you have <nn> days to either:
- make this host managed by a Management Server (see
  http://go.symantec.com/sfhakeyless for details and free download),
  or
- add a valid license key matching the functionality in use on this host
  using the command 'vxlicinst'
```

To comply with the terms of the EULA, and remove these messages, you must do one of the following within 60 days:

- Install a valid license key corresponding to the functionality in use on the host. See “[Installing Veritas product license keys](#)” on page 52. After you install the license key, you must validate the license key using the following command:

```
# /opt/VRTS/bin/vxlicrep
```

- Continue with keyless licensing by managing the server or cluster with a management server. For more information about keyless licensing, see the following URL: <http://go.symantec.com/sfhakeyless>

## Storage Foundation Cluster File System High Availability installation issues

If you encounter any issues installing SFCFSHA, refer to the following paragraphs for typical problems and their solutions:

### Incorrect permissions for root on remote system

The permissions are inappropriate. Make sure you have remote root access permission on each system to which you are installing.

```
Failed to setup rsh communication on 10.198.89.241:  
'rsh 10.198.89.241 <command>' failed  
Trying to setup ssh communication on 10.198.89.241.  
Failed to setup ssh communication on 10.198.89.241:  
Login denied
```

```
Failed to login to remote system(s) 10.198.89.241.  
Please make sure the password(s) are correct and superuser(root)  
can login to the remote system(s) with the password(s).  
If you want to setup rsh on remote system(s), please make sure  
rsh with command argument ('rsh <host> <command>') is not  
denied by remote system(s).
```

```
Either ssh or rsh is needed to be setup between the local node  
and 10.198.89.241 for communication
```

```
Would you like the installer to setup ssh/rsh communication  
automatically between the nodes?  
Superuser passwords for the systems will be asked. [y,n,q] (y) n
```

```
System verification did not complete successfully
```

```
The following errors were discovered on the systems:
```

```
The ssh permission denied on 10.198.89.241  
rsh exited 1 on 10.198.89.241  
either ssh or rsh is needed to be setup between the local node  
and 10.198.89.241 for communication
```

**Suggested solution:** You need to set up the systems to allow remote access using ssh or rsh.

See [“About configuring secure shell or remote shell communication modes before installing products”](#) on page 401.

---

**Note:** Remove remote shell permissions after completing the SFCFSHA installation and configuration.

---

## Inaccessible system

The system you specified is not accessible. This could be for a variety of reasons such as, the system name was entered incorrectly or the system is not available over the network.

```
Verifying systems: 12% .....
Estimated time remaining: 0:10 1 of 8
Checking system communication ..... Done
System verification did not complete successfully
The following errors were discovered on the systems:
cannot resolve hostname host1
Enter the system names separated by spaces: q,? (host1)
```

Suggested solution: Verify that you entered the system name correctly; use the `ping(1M)` command to verify the accessibility of the host.

# Storage Foundation Cluster File System High Availability problems

If there is a device failure or controller failure to a device, the file system may become disabled cluster-wide. To address the problem, unmount file system on all the nodes, then run a full `fsck`. When the file system check completes, mount all nodes again.

## Unmount failures

The `umount` command can fail if a reference is being held by an NFS server. Unshare the mount point and try the unmount again.

## Mount failures

Mounting a file system can fail for the following reasons:

- The file system is not using disk layout Version 7 or later.
- The mount options do not match the options of already mounted nodes.
- A cluster file system is mounted by default with the `qio` option enabled if the node has a Quick I/O for Databases license installed, even if the `qio` mount option was not explicitly specified. If the Quick I/O license is not installed, a cluster file system is mounted without the `qio` option enabled. So if some nodes in the cluster have a Quick I/O license installed and others do not, a cluster mount can succeed on some nodes and fail on others due to different mount options. To avoid this situation, ensure that Quick I/O licensing is uniformly



applied, or be careful to mount the cluster file system with the `qio/noqio` option appropriately specified on each node of the cluster.  
 See the `mount(1M)` manual page.

- A shared CVM volume was not specified.
- The device is still mounted as a local file system somewhere on the cluster. Unmount the device.
- The `fscck` or `mkfs` command is being run on the same volume from another node, or the volume is mounted in non-cluster mode from another node.
- The `vxfsckd` daemon is not running. This typically happens only if the `CFSfscckd` agent was not started correctly.
- If `mount` fails with an error message:

```
vxfs mount: cannot open mnttab
/etc/mnttab is missing or you do not have root privileges.
```

- If `mount` fails with an error message:

```
vxfs mount: device already mounted, ...
```

The device is in use by `mount`, `mkfs` or `fscck` on the same node. This error cannot be generated from another node in the cluster.

- If this error message displays:

```
mount: slow
```

The node may be in the process of joining the cluster.

- If you try to mount a file system that is already mounted without `-o cluster` option (that is, not in shared mode) on another cluster node,

```
# mount -t vxfs /dev/vx/dsk/share/vol01 /vol01
```

The following error message displays:

```
vxfs mount: /dev/vx/dsk/share/vol01 is already mounted,
/vol01 is busy, allowable number of mount points exceeded,
or cluster reservation failed for the volume
```

## Command failures

This section describes command failures.

- Manual pages not accessible with the `man` command. Set the `MANPATH` environment variable appropriately. See “[Setting environment variables](#)” on page 59.
- The `mount`, `fsck`, and `mkfs` utilities reserve a shared volume. They fail on volumes that are in use. Be careful when accessing shared volumes with other utilities such as `dd`, it is possible for these commands to destroy data on the disk.
- Running some commands, such as `vxupgrade -n 7 /vol02`, can generate the following error message:

```
vxfs vxupgrade: ERROR: not primary in a cluster file system
```

This means that you can run this command only on the primary, that is, the system that mounted this file system first.

## Performance issues

Quick I/O File system performance is adversely affected if a cluster file system is mounted with the `qio` option enabled, but the file system is not used for Quick I/O files. Because `qio` is enabled by default, if you do not intend to use a shared file system for Quick I/O, explicitly specify the `noqio` option when mounting.

## High availability issues

This section describes high availability issues.

### Network partition and jeopardy

Network partition (or split brain) is a condition where a network failure can be misinterpreted as a failure of one or more nodes in a cluster. If one system in the cluster incorrectly assumes that another system failed, it may restart applications already running on the other system, thereby corrupting data. CFS tries to prevent this by having redundant heartbeat links.

At least one link must be active to maintain the integrity of the cluster. If all the links go down, after the last network link is broken, the node can no longer communicate with other nodes in the cluster. Thus the cluster is in one of two possible states. Either the last network link is broken (called a network partition condition), or the last network link is okay, but the node crashed, in which case it is not a network partition problem. It is not possible to identify whether it is the first or second state, so a kernel message is issued to indicate that a network partition may exist and there is a possibility of data corruption.

Jeopardy is a condition where a node in the cluster has a problem connecting to other nodes. In this situation, the link or disk heartbeat may be down, so a jeopardy warning may be displayed. Specifically, this message appears when a node has only one remaining link to the cluster and that link is a network link. This is considered a critical event because the node may lose its only remaining connection to the network.

---

**Warning:** Do not remove the communication links while shared storage is still connected.

---

### Low memory

Under heavy loads, software that manages heartbeat communication links may not be able to allocate kernel memory. If this occurs, a node halts to avoid any chance of network partitioning. Reduce the load on the node if this happens frequently.

A similar situation may occur if the values in the `/etc/litttab` files on all cluster nodes are not correct or identical.

## Installer cannot create UUID for the cluster

The installer displays the following error message if the installer cannot find the `uuidconfig.pl` script before it configures the UUID for the cluster:

```
Couldn't find uuidconfig.pl for uuid configuration,
please create uuid manually before start vcs
```

You may see the error message during SFCFSHA configuration, upgrade, or when you add a node to the cluster using the installer.

Workaround: To start SFCFSHA, you must run the `uuidconfig.pl` script manually to configure the UUID on each cluster node.

### To configure the cluster UUID when you create a cluster manually

- ◆ On one node in the cluster, perform the following command to populate the cluster UUID on each node in the cluster.

```
# /opt/VRTSvcs/bin/uuidconfig.pl -clus -configure nodeA
nodeB ... nodeN
```

Where `nodeA`, `nodeB`, through `nodeN` are the names of the cluster nodes.

# The vxfcntlshdw utility fails when SCSI TEST UNIT READY command fails

While running the vxfcntlshdw utility, you may see a message that resembles as follows:

```
Issuing SCSI TEST UNIT READY to disk reserved by other node
FAILED.
Contact the storage provider to have the hardware configuration
fixed.
```

The disk array does not support returning success for a SCSI TEST UNIT READY command when another host has the disk reserved using SCSI-3 persistent reservations. This happens with the Hitachi Data Systems 99XX arrays if bit 186 of the system mode option is not enabled.

## Troubleshooting CP server

All CP server operations and messages are logged in the `/var/VRTScps/log` directory in a detailed and easy to read format. The entries are sorted by date and time. The logs can be used for troubleshooting purposes or to review for any possible security issue on the system that hosts the CP server.

The following files contain logs and text files that may be useful in understanding and troubleshooting a CP server:

- `/var/VRTScps/log/cpsrvr_[ABC].log`
- `/var/VRTSvcs/log/vcsauthserver.log` (Security related)
- If the vxcpssrv process fails on the CP server, then review the following diagnostic files:
  - `/var/VRTScps/diag/FFDC_CPS_pid_vxcpssrv.log`
  - `/var/VRTScps/diag/stack_pid_vxcpssrv.txt`

---

**Note:** If the vxcpssrv process fails on the CP server, these files are present in addition to a core file. VCS restarts vxcpssrv process automatically in such situations.

---

The file `/var/VRTSvcs/log/vxfen/vxfend_[ABC].log` contains logs that may be useful in understanding and troubleshooting fencing-related issues on a SFCFSHA cluster (client cluster) node.

See [“Troubleshooting issues related to the CP server service group”](#) on page 445.

See [“Checking the connectivity of CP server”](#) on page 445.

See [“Issues during fencing startup on SFCFSHA cluster nodes set up for server-based fencing”](#) on page 446.

See [“Issues during online migration of coordination points”](#) on page 446.

## Troubleshooting issues related to the CP server service group

If you cannot bring up the CPSSG service group after the CP server configuration, perform the following steps:

- Verify that the CPSSG service group and its resources are valid and properly configured in the VCS configuration.
- Check the VCS engine log (`/var/VRTSvcs/log/engine_[ABC].log`) to see if any of the CPSSG service group resources are **FAULTED**.
- Review the sample dependency graphs to make sure the required resources are configured correctly.

## Checking the connectivity of CP server

You can test the connectivity of CP server using the `cpsadm` command.

You must have set the environment variables `CPS_USERNAME` and `CPS_DOMAINTYPE` to run the `cpsadm` command on the SFCFSHA cluster (client cluster) nodes.

**To check the connectivity of CP server**

- ◆ Run the following command to check whether a CP server is up and running at a process level:

```
# cpsadm -s cp_server -a ping_cps
```

where `cp_server` is the virtual IP address or virtual hostname on which the CP server is listening.

## Troubleshooting server-based fencing on the SFCFSHA cluster nodes

The file `/var/VRTSvcs/log/vxfen/vxfend_[ABC].log` contains logs files that may be useful in understanding and troubleshooting fencing-related issues on a SFCFSHA cluster (application cluster) node.

## Issues during fencing startup on SFCFSHA cluster nodes set up for server-based fencing

**Table G-1** Fencing startup issues on SFCFSHA cluster (client cluster) nodes

| Issue                                                                     | Description and resolution                                                                                                                                                                                                                                                                                                                                                                                                                                                                                                                                                                   |
|---------------------------------------------------------------------------|----------------------------------------------------------------------------------------------------------------------------------------------------------------------------------------------------------------------------------------------------------------------------------------------------------------------------------------------------------------------------------------------------------------------------------------------------------------------------------------------------------------------------------------------------------------------------------------------|
| <code>cpsadm</code> command on the SFCFSHA cluster gives connection error | <p>If you receive a connection error message after issuing the <code>cpsadm</code> command on the SFCFSHA cluster, perform the following actions:</p> <ul style="list-style-type: none"> <li>■ Ensure that the CP server is reachable from all the SFCFSHA cluster nodes.</li> <li>■ Check that the SFCFSHA cluster nodes use the correct CP server virtual IP or virtual hostname and the correct port number.<br/>Check the <code>/etc/vxfenmode</code> file.</li> <li>■ Ensure that the running CP server is using the same virtual IP/virtual hostname and port number.</li> </ul>       |
| Authorization failure                                                     | <p>Authorization failure occurs when the CP server's nodes or users are not added in the CP server configuration. Therefore, fencing on the SFCFSHA cluster (client cluster) node is not allowed to access the CP server and register itself on the CP server. Fencing fails to come up if it fails to register with a majority of the coordination points.</p> <p>To resolve this issue, add the CP server node and user in the CP server configuration and restart fencing.</p> <p>See <a href="#">"Preparing the CP servers manually for use by the SFCFSHA cluster"</a> on page 211.</p> |
| Authentication failure                                                    | <p>If you had configured secure communication between the CP server and the SFCFSHA cluster (client cluster) nodes, authentication failure can occur due to the following causes:</p> <ul style="list-style-type: none"> <li>■ Symantec Product Authentication Services (AT) is not properly configured on the CP server and/or the SFCFSHA cluster.</li> <li>■ The CP server and the SFCFSHA cluster nodes use different root brokers, and trust is not established between the authentication brokers:</li> </ul>                                                                          |

## Issues during online migration of coordination points

During online migration of coordination points using the `vxfenswap` utility, the operation is automatically rolled back if a failure is encountered during validation of coordination points from any of the cluster nodes.

Validation failure of the new set of coordination points can occur in the following circumstances:

- The `/etc/vxfenmode.test` file is not updated on all the SFCFSHA cluster nodes, because new coordination points on the node were being picked up from an old `/etc/vxfenmode.test` file. The `/etc/vxfenmode.test` file must be updated with the

current details. If the `/etc/vxfenmode.test` file is not present, `vxfenswap` copies configuration for new coordination points from the `/etc/vxfenmode` file.

- The coordination points listed in the `/etc/vxfenmode` file on the different SFCFSHA cluster nodes are not the same. If different coordination points are listed in the `/etc/vxfenmode` file on the cluster nodes, then the operation fails due to failure during the coordination point snapshot check.
- There is no network connectivity from one or more SFCFSHA cluster nodes to the CP server(s).
- Cluster, nodes, or users for the SFCFSHA cluster nodes have not been added on the new CP servers, thereby causing authorization failure.

### **Vxfen service group activity after issuing the `vxfenswap` command**

The Coordination Point agent reads the details of coordination points from the `vxfenconfig -l` output and starts monitoring the registrations on them.

Thus, during `vxfenswap`, when the `vxfenmode` file is being changed by the user, the Coordination Point agent does not move to FAULTED state but continues monitoring the old set of coordination points.

As long as the changes to `vxfenmode` file are not committed or the new set of coordination points are not reflected in `vxfenconfig -l` output, the Coordination Point agent continues monitoring the old set of coordination points it read from `vxfenconfig -l` output in every monitor cycle.

The status of the Coordination Point agent (either ONLINE or FAULTED) depends upon the accessibility of the coordination points, the registrations on these coordination points, and the fault tolerance value.

When the changes to `vxfenmode` file are committed and reflected in the `vxfenconfig -l` output, then the Coordination Point agent reads the new set of coordination points and proceeds to monitor them in its new monitor cycle.

## **Troubleshooting the webinstaller**

This section provides possible solutions to problems that may occur when using the `webinstaller` script:

- **Issue:** The `webinstaller` script may report an error.  
 You may receive a similar error message when using the webinstaller:

```
Error: could not get hostname and IP address
```

**Solution:** Check whether `/etc/hosts` and `/etc/resolv.conf` file are correctly configured.

- **Issue:** The hostname is not a fully qualified domain name.

You must have a fully qualified domain name for the hostname in

`https://<hostname>:<port>/`.

**Solution:** Check whether the `domain` section is defined in `/etc/resolv.conf` file.

- **Issue:** FireFox 3 may report an error.

You may receive a similar error message when using FireFox 3:

`Certificate contains the same serial number as another certificate.`

**Solution:** Visit FireFox knowledge base website:

<http://support.mozilla.com/en-US/kb/Certificate+contains+the+same+serial+number+as+another+certificate>



# Sample SFCFSHA cluster setup diagrams for CP server-based I/O fencing

This appendix includes the following topics:

- [Configuration diagrams for setting up server-based I/O fencing](#)

## Configuration diagrams for setting up server-based I/O fencing

The following CP server configuration diagrams can be used as guides when setting up CP server within your configuration:

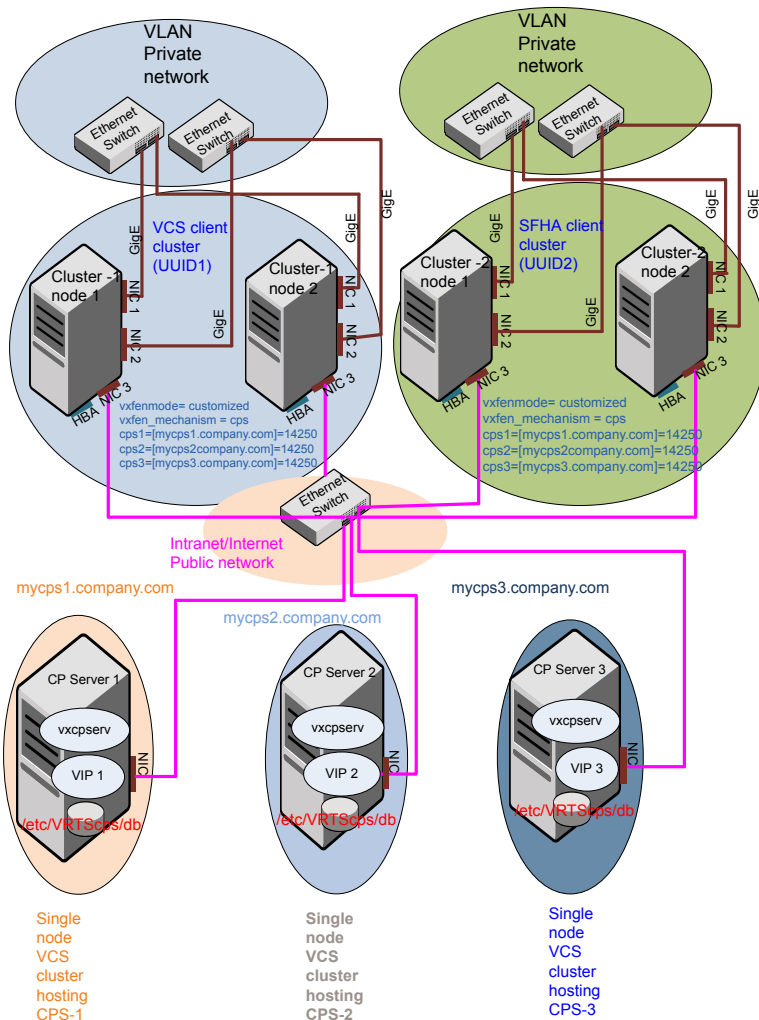
- Two unique client clusters that are served by 3 CP servers:  
See [Figure H-1](#) on page 450.
- Client cluster that is served by highly available CP server and 2 SCSI-3 disks:
- Two node campus cluster that is served by remote CP server and 2 SCSI-3 disks:
- Multiple client clusters that are served by highly available CP server and 2 SCSI-3 disks:

### Two unique client clusters served by 3 CP servers

[Figure H-1](#) displays a configuration where two unique client clusters are being served by 3 CP servers (coordination points). Each client cluster has its own unique user ID (UUID1 and UUID2).

In the `vxfenmode` file on the client nodes, `vxfenmode` is set to `customized` with `vxfen_mechanism` set to `cps`.

**Figure H-1** Two unique client clusters served by 3 CP servers



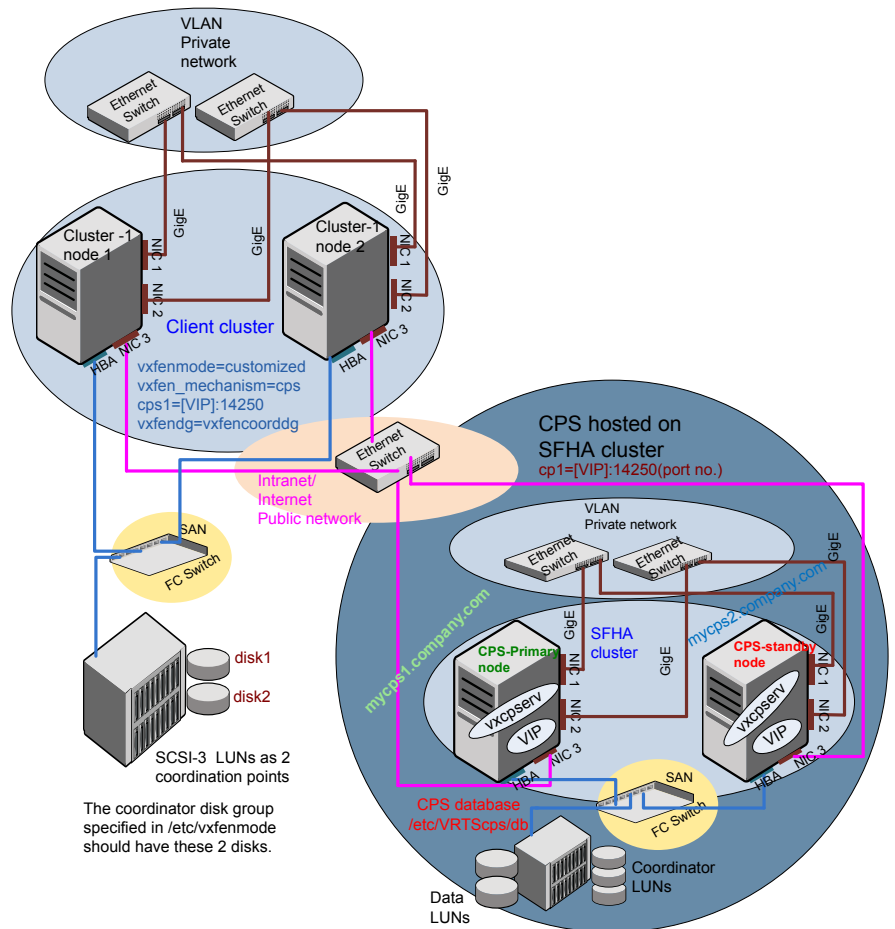
## Client cluster served by highly available CPS and 2 SCSI-3 disks

Figure H-2 displays a configuration where a client cluster is served by one highly available CP server and 2 local SCSI-3 LUNs (disks).

In the `vxfenmode` file on the client nodes, `vxfenmode` is set to customized with `vxfen` mechanism set to `cps`.

The two SCSI-3 disks are part of the disk group `vxfencoordg`. The third coordination point is a CP server hosted on an SFHA cluster, with its own shared database and coordinator disks.

**Figure H-2** Client cluster served by highly available CP server and 2 SCSI-3 disks



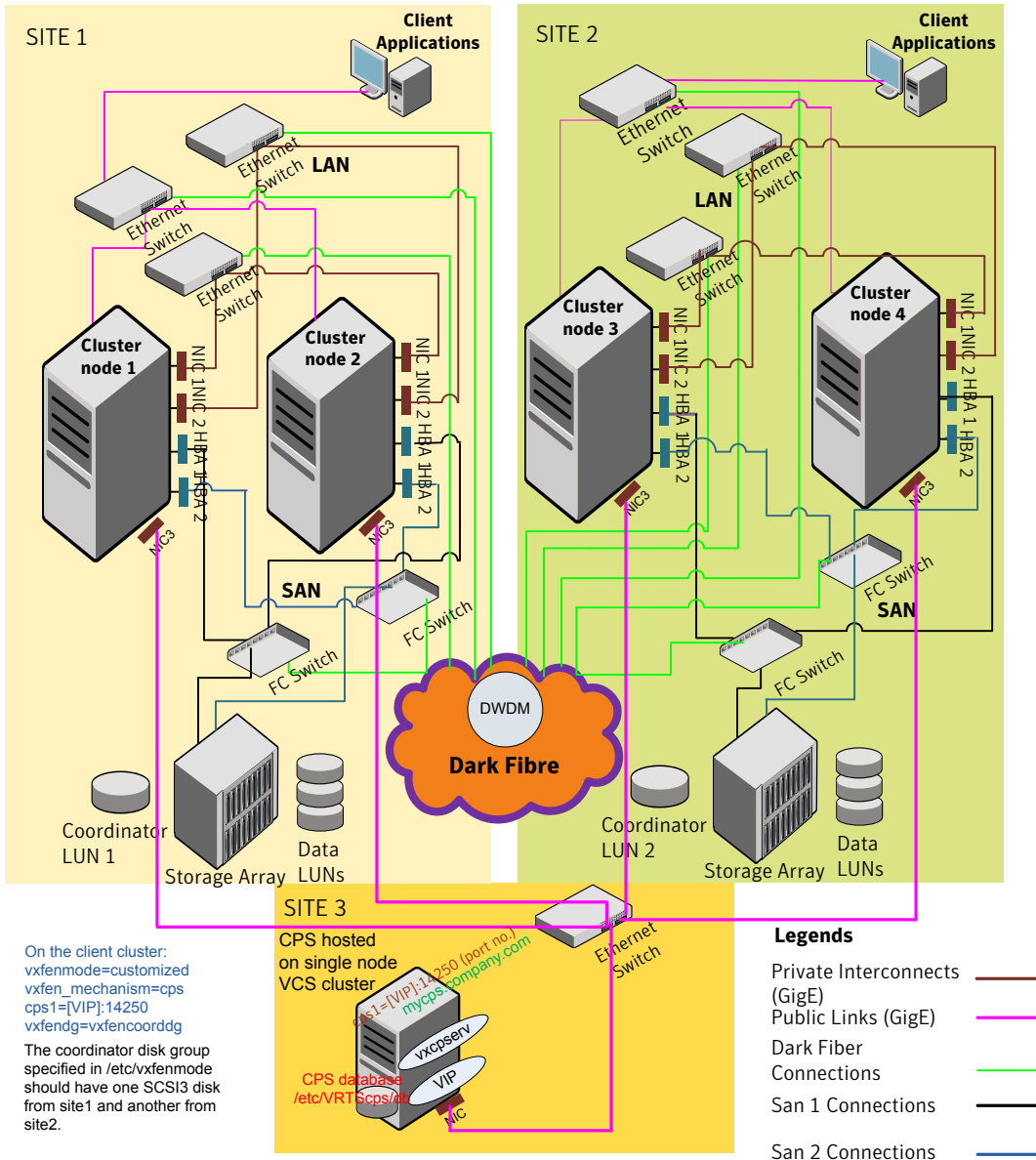
## Two node campus cluster served by remote CP server and 2 SCSI-3 disks

[Figure H-3](#) displays a configuration where a two node campus cluster is being served by one remote CP server and 2 local SCSI-3 LUN (disks).

In the `vxfenmode` file on the client nodes, `vxfenmode` is set to `customized` with `vxfen` mechanism set to `cps`.

The two SCSI-3 disks (one from each site) are part of disk group `vxfencoordg`. The third coordination point is a CP server on a single node VCS cluster.

**Figure H-3** Two node campus cluster served by remote CP server and 2 SCSI-3



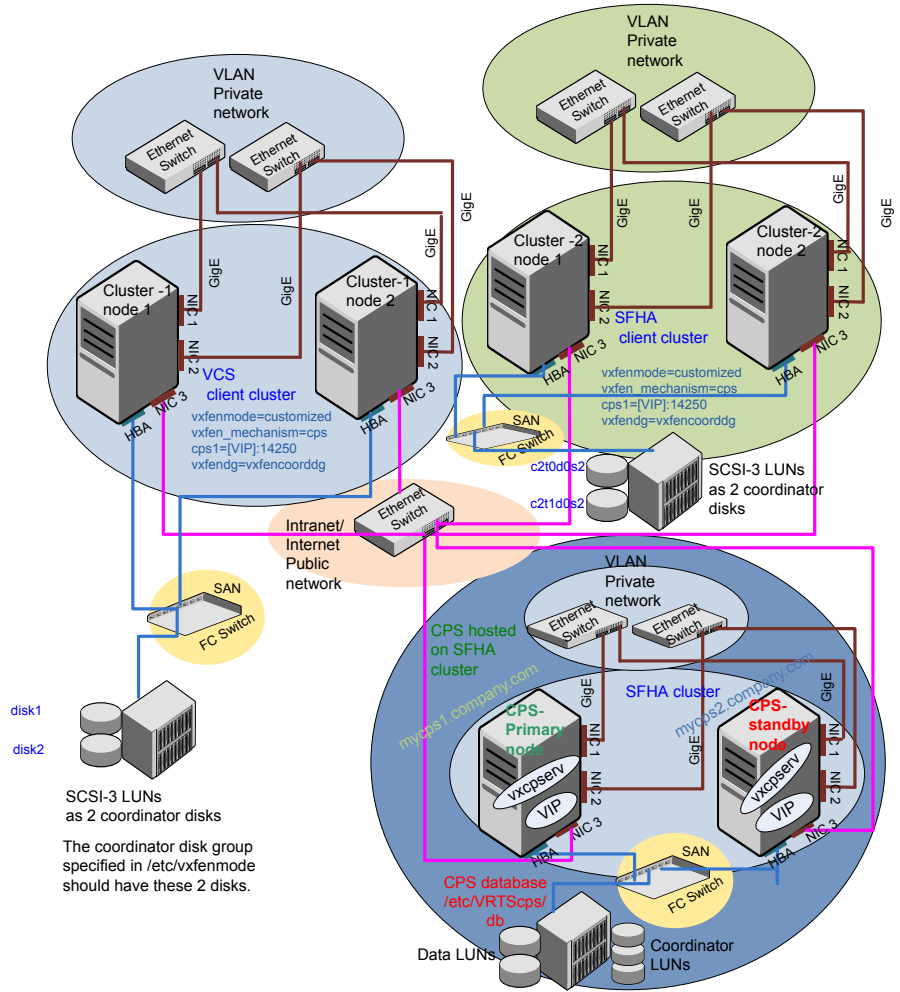
## Multiple client clusters served by highly available CP server and 2 SCSI-3 disks

Figure H-4 displays a configuration where multiple client clusters are being served by one highly available CP server and 2 local SCSI-3 LUNS (disks).

In the `vxfenmode` file on the client nodes, `vxfenmode` is set to `customized` with `vxfen` mechanism set to `cps`.

The two SCSI-3 disks are part of the disk group `vxfencoorddg`. The third coordination point is a CP server, hosted on an SFHA cluster, with its own shared database and coordinator disks.

**Figure H-4** Multiple client clusters served by highly available CP server and 2 SCSI-3 disks



## Configuring LLT over UDP

This appendix includes the following topics:

- [Using the UDP layer for LLT](#)
- [Manually configuring LLT over UDP using IPv4](#)
- [Using the UDP layer of IPv6 for LLT](#)
- [Manually configuring LLT over UDP using IPv6](#)

### Using the UDP layer for LLT

SFCFSHA provides the option of using LLT over the UDP (User Datagram Protocol) layer for clusters using wide-area networks and routers. UDP makes LLT packets routable and thus able to span longer distances more economically.

### When to use LLT over UDP

Use LLT over UDP in the following situations:

- LLT must be used over WANs
- When hardware, such as blade servers, do not support LLT over Ethernet

LLT over UDP is slower than LLT over Ethernet. Use LLT over UDP only when the hardware configuration makes it necessary.

### Manually configuring LLT over UDP using IPv4

The following checklist is to configure LLT over UDP:

- Make sure that the LLT private links are on separate subnets. Set the broadcast address in `/etc/lltab` explicitly depending on the subnet for each link.



See [“Broadcast address in the /etc/llttab file”](#) on page 457.

- Make sure that each NIC has an IP address that is configured before configuring LLT.
- Make sure the IP addresses in the /etc/llttab files are consistent with the IP addresses of the network interfaces.
- Make sure that each link has a unique not well-known UDP port.  
See [“Selecting UDP ports”](#) on page 459.
- Set the broadcast address correctly for direct-attached (non-routed) links.  
See [“Sample configuration: direct-attached links”](#) on page 460.
- For the links that cross an IP router, disable broadcast features and specify the IP address of each link manually in the /etc/llttab file.  
See [“Sample configuration: links crossing IP routers”](#) on page 462.

## Broadcast address in the /etc/llttab file

The broadcast address is set explicitly for each link in the following example.

- Display the content of the /etc/llttab file on the first node sys1:

```
sys1 # cat /etc/llttab

set-node sys1
set-cluster 1
link link1 udp - udp 50000 - 192.168.9.1 192.168.9.255
link link2 udp - udp 50001 - 192.168.10.1 192.168.10.255
```

Verify the subnet mask using the ifconfig command to ensure that the two links are on separate subnets.

- Display the content of the /etc/llttab file on the second node sys2:

```
sys2 # cat /etc/llttab

set-node sys2
set-cluster 1
link link1 udp - udp 50000 - 192.168.9.2 192.168.9.255
link link2 udp - udp 50001 - 192.168.10.2 192.168.10.255
```

Verify the subnet mask using the ifconfig command to ensure that the two links are on separate subnets.

## The link command in the /etc/llttab file

Review the link command information in this section for the /etc/llttab file. See the following information for sample configurations:

- See [“Sample configuration: direct-attached links”](#) on page 460.
- See [“Sample configuration: links crossing IP routers”](#) on page 462.

[Table I-1](#) describes the fields of the link command that are shown in the /etc/llttab file examples. Note that some of the fields differ from the command for standard LLT links.

**Table I-1** Field description for link command in /etc/llttab

| Field                | Description                                                                                                                                                                                                                                                      |
|----------------------|------------------------------------------------------------------------------------------------------------------------------------------------------------------------------------------------------------------------------------------------------------------|
| <i>tag-name</i>      | A unique string that is used as a tag by LLT; for example link1, link2,....                                                                                                                                                                                      |
| <i>device</i>        | The device path of the UDP protocol; for example udp.<br><br>A place holder string. On other unix platforms like Solaris or HP, this entry points to a device file (for example, /dev/udp). Linux does not have devices for protocols. So this field is ignored. |
| <i>node-range</i>    | Nodes using the link. "-" indicates all cluster nodes are to be configured for this link.                                                                                                                                                                        |
| <i>link-type</i>     | Type of link; must be "udp" for LLT over UDP.                                                                                                                                                                                                                    |
| <i>udp-port</i>      | Unique UDP port in the range of 49152-65535 for the link.<br><br>See <a href="#">“Selecting UDP ports”</a> on page 459.                                                                                                                                          |
| <i>MTU</i>           | "-" is the default, which has a value of 8192. The value may be increased or decreased depending on the configuration. Use the <code>lltstat -l</code> command to display the current value.                                                                     |
| <i>IP address</i>    | IP address of the link on the local node.                                                                                                                                                                                                                        |
| <i>bcast-address</i> | <ul style="list-style-type: none"> <li>■ For clusters with enabled broadcasts, specify the value of the subnet broadcast address.</li> <li>■ "-" is the default for clusters spanning routers.</li> </ul>                                                        |

## The set-addr command in the /etc/llttab file

The `set-addr` command in the /etc/llttab file is required when the broadcast feature of LLT is disabled, such as when LLT must cross IP routers.

See [“Sample configuration: links crossing IP routers”](#) on page 462.

Table I-2 describes the fields of the set-addr command.

**Table I-2** Field description for set-addr command in /etc/llttab

| Field                | Description                                                                  |
|----------------------|------------------------------------------------------------------------------|
| <i>node-id</i>       | The ID of the cluster node; for example, 0.                                  |
| <i>link tag-name</i> | The string that LLT uses to identify the link; for example link1, link2,.... |
| <i>address</i>       | IP address assigned to the link for the peer node.                           |

## Selecting UDP ports

When you select a UDP port, select an available 16-bit integer from the range that follows:

- Use available ports in the private range 49152 to 65535
- Do not use the following ports:
  - Ports from the range of well-known ports, 0 to 1023
  - Ports from the range of registered ports, 1024 to 49151

To check which ports are defined as defaults for a node, examine the file /etc/services. You should also use the `netstat` command to list the UDP ports currently in use. For example:

```
# netstat -au | more
Active Internet connections (servers and established)
Proto Recv-Q Send-Q Local Address Foreign Address      State
udp      0      0 *:32768          *:*
udp      0      0 *:956            *:*
udp      0      0 *:tftp           *:*
udp      0      0 *:sunrpc         *:*
udp      0      0 *:ipp            *:*
```

Look in the UDP section of the output; the UDP ports that are listed under Local Address are already in use. If a port is listed in the /etc/services file, its associated name is displayed rather than the port number in the output.

## Configuring the netmask for LLT

For nodes on different subnets, set the netmask so that the nodes can access the subnets in use. Run the following command and answer the prompt to set the netmask:

```
# ifconfig interface_name netmask netmask
```

For example:

- For the first network interface on the node sys1:

```
IP address=192.168.9.1, Broadcast address=192.168.9.255,  
Netmask=255.255.255.0
```

For the first network interface on the node sys2:

```
IP address=192.168.9.2, Broadcast address=192.168.9.255,  
Netmask=255.255.255.0
```

- For the second network interface on the node sys1:

```
IP address=192.168.10.1, Broadcast address=192.168.10.255,  
Netmask=255.255.255.0
```

For the second network interface on the node sys2:

```
IP address=192.168.10.2, Broadcast address=192.168.10.255,  
Netmask=255.255.255.0
```

## Configuring the broadcast address for LLT

For nodes on different subnets, set the broadcast address in `/etc/llttab` depending on the subnet that the links are on.

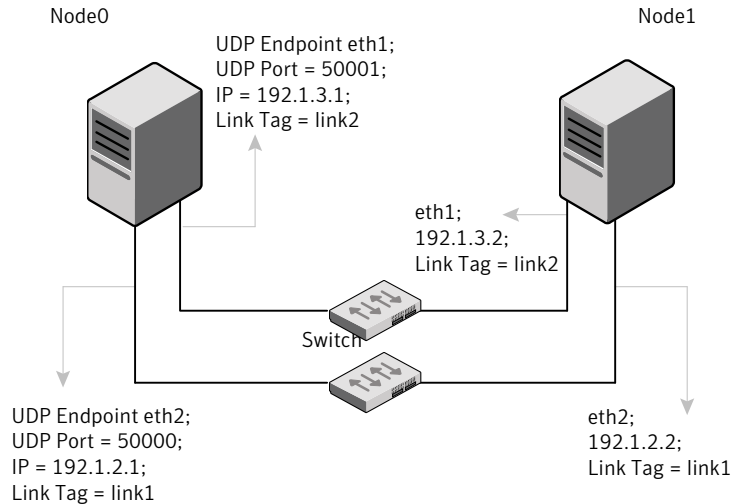
An example of a typical `/etc/llttab` file when nodes are on different subnets. Note the explicitly set broadcast address for each link.

```
# cat /etc/llttab  
set-node nodexyz  
set-cluster 100  
  
link link1 udp - udp 50000 - 192.168.30.1 192.168.30.255  
link link2 udp - udp 50001 - 192.168.31.1 192.168.31.255
```

## Sample configuration: direct-attached links

[Figure I-1](#) depicts a typical configuration of direct-attached links employing LLT over UDP.

**Figure I-1** A typical configuration of direct-attached links that use LLT over UDP



The configuration that the `/etc/llttab` file for Node 0 represents has directly attached crossover links. It might also have the links that are connected through a hub or switch. These links do not cross routers.

LLT broadcasts requests peer nodes to discover their addresses. So the addresses of peer nodes do not need to be specified in the `/etc/llttab` file using the `set-addr` command. For direct attached links, you do need to set the broadcast address of the links in the `/etc/llttab` file. Verify that the IP addresses and broadcast addresses are set correctly by using the `ifconfig -a` command.

```
set-node Node0
set-cluster 1
#configure Links
#link tag-name device node-range link-type udp port MTU \
IP-address bcast-address
link link1 udp - udp 50000 - 192.1.2.1 192.1.2.255
link link2 udp - udp 50001 - 192.1.3.1 192.1.3.255
```

The file for Node 1 resembles:

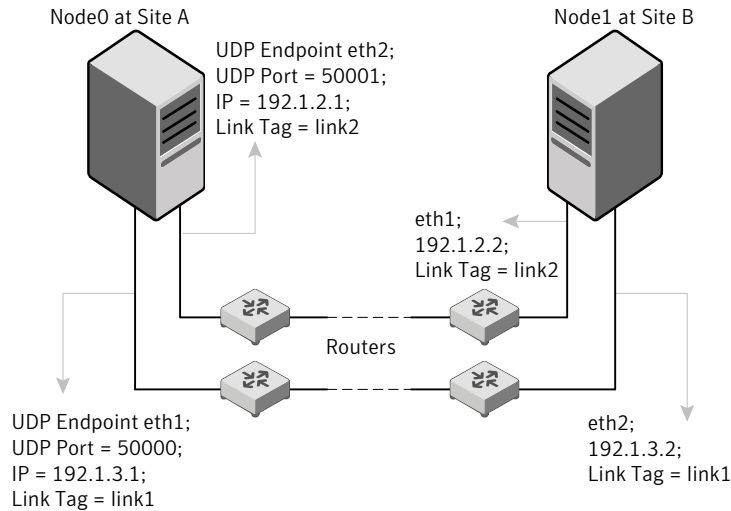
```
set-node Node1
set-cluster 1
#configure Links
#link tag-name device node-range link-type udp port MTU \
IP-address bcast-address
```

```
link link1 udp - udp 50000 - 192.1.2.2 192.1.2.255
link link2 udp - udp 50001 - 192.1.3.2 192.1.3.255
```

## Sample configuration: links crossing IP routers

Figure I-2 depicts a typical configuration of links crossing an IP router employing LLT over UDP. The illustration shows two nodes of a four-node cluster.

Figure I-2 A typical configuration of links crossing an IP router



The configuration that the following `/etc/llttab` file represents for Node 1 has links crossing IP routers. Notice that IP addresses are shown for each link on each peer node. In this configuration broadcasts are disabled. Hence, the broadcast address does not need to be set in the `link` command of the `/etc/llttab` file.

```
set-node Node1
set-cluster 1

link link1 udp - udp 50000 - 192.1.3.1 -
link link2 udp - udp 50001 - 192.1.4.1 -

#set address of each link for all peer nodes in the cluster
#format: set-addr node-id link tag-name address
set-addr 0 link1 192.1.1.1
set-addr 0 link2 192.1.2.1
set-addr 2 link1 192.1.5.2
set-addr 2 link2 192.1.6.2
```

```
set-addr      3 link1 192.1.7.3
set-addr      3 link2 192.1.8.3

#disable LLT broadcasts
set-bcasthb   0
set-arp       0
```

The `/etc/llttab` file on Node 0 resembles:

```
set-node Node0
set-cluster 1

link link1 udp - udp 50000 - 192.1.1.1 -
link link2 udp - udp 50001 - 192.1.2.1 -

#set address of each link for all peer nodes in the cluster
#format: set-addr node-id link tag-name address
set-addr      1 link1 192.1.3.1
set-addr      1 link2 192.1.4.1
set-addr      2 link1 192.1.5.2
set-addr      2 link2 192.1.6.2
set-addr      3 link1 192.1.7.3
set-addr      3 link2 192.1.8.3

#disable LLT broadcasts
set-bcasthb   0
set-arp       0
```

## Using the UDP layer of IPv6 for LLT

Veritas Storage Foundation Cluster File System High Availability 6.0.1 provides the option of using LLT over the UDP (User Datagram Protocol) layer for clusters using wide-area networks and routers. UDP makes LLT packets routable and thus able to span longer distances more economically.

### When to use LLT over UDP

Use LLT over UDP in the following situations:

- LLT must be used over WANs
- When hardware, such as blade servers, do not support LLT over Ethernet

# Manually configuring LLT over UDP using IPv6

The following checklist is to configure LLT over UDP:

- For UDP6, the multicast address is set to "-".
- Make sure that each NIC has an IPv6 address that is configured before configuring LLT.
- Make sure the IPv6 addresses in the /etc/llttab files are consistent with the IPv6 addresses of the network interfaces.
- Make sure that each link has a unique not well-known UDP port. See [“Selecting UDP ports”](#) on page 465.
- For the links that cross an IP router, disable multicast features and specify the IPv6 address of each link manually in the /etc/llttab file. See [“Sample configuration: links crossing IP routers”](#) on page 467.

## The link command in the /etc/llttab file

Review the link command information in this section for the /etc/llttab file. See the following information for sample configurations:

- See [“Sample configuration: direct-attached links”](#) on page 466.
- See [“Sample configuration: links crossing IP routers”](#) on page 467.

Note that some of the fields in [Table I-3](#) differ from the command for standard LLT links.

[Table I-3](#) describes the fields of the link command that are shown in the /etc/llttab file examples.

**Table I-3** Field description for link command in /etc/llttab

| Field             | Description                                                                                                      |
|-------------------|------------------------------------------------------------------------------------------------------------------|
| <i>tag-name</i>   | A unique string that is used as a tag by LLT; for example link1, link2,....                                      |
| <i>device</i>     | The device name of the UDP protocol; for example udp6.                                                           |
| <i>node-range</i> | Nodes using the link. "-" indicates all cluster nodes are to be configured for this link.                        |
| <i>link-type</i>  | Type of link; must be "udp6" for LLT over UDP.                                                                   |
| <i>udp-port</i>   | Unique UDP port in the range of 49152-65535 for the link. See <a href="#">“Selecting UDP ports”</a> on page 465. |



**Table I-3** Field description for link command in `/etc/llttab` (*continued*)

| Field                | Description                                                                                                                                                                                  |
|----------------------|----------------------------------------------------------------------------------------------------------------------------------------------------------------------------------------------|
| <i>MTU</i>           | "-" is the default, which has a value of 8192. The value may be increased or decreased depending on the configuration. Use the <code>lltstat -l</code> command to display the current value. |
| <i>IPv6 address</i>  | IPv6 address of the link on the local node.                                                                                                                                                  |
| <i>mcast-address</i> | "-" is the default for clusters spanning routers.                                                                                                                                            |

## The `set-addr` command in the `/etc/llttab` file

The `set-addr` command in the `/etc/llttab` file is required when the multicast feature of LLT is disabled, such as when LLT must cross IP routers.

See [“Sample configuration: links crossing IP routers”](#) on page 467.

[Table I-4](#) describes the fields of the `set-addr` command.

**Table I-4** Field description for `set-addr` command in `/etc/llttab`

| Field                | Description                                                                  |
|----------------------|------------------------------------------------------------------------------|
| <i>node-id</i>       | The ID of the cluster node; for example, 0.                                  |
| <i>link tag-name</i> | The string that LLT uses to identify the link; for example link1, link2,.... |
| <i>address</i>       | IPv6 address assigned to the link for the peer node.                         |

## Selecting UDP ports

When you select a UDP port, select an available 16-bit integer from the range that follows:

- Use available ports in the private range 49152 to 65535
- Do not use the following ports:
  - Ports from the range of well-known ports, 0 to 1023
  - Ports from the range of registered ports, 1024 to 49151

To check which ports are defined as defaults for a node, examine the file `/etc/services`. You should also use the `netstat` command to list the UDP ports currently in use. For example:

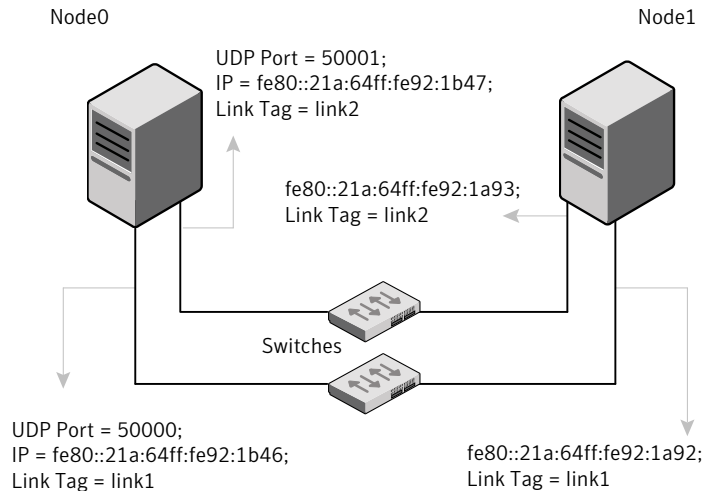
```
# netstat -au | more
Active Internet connections (servers and established)
Proto Recv-Q Send-Q Local Address Foreign Address      State
udp      0      0 *:32768                *:*
udp      0      0 *:956                  *:*
udp      0      0 *:tftp                 *:*
udp      0      0 *:sunrpc               *:*
udp      0      0 *:ipp                  *:*
```

Look in the UDP section of the output; the UDP ports that are listed under Local Address are already in use. If a port is listed in the `/etc/services` file, its associated name is displayed rather than the port number in the output.

## Sample configuration: direct-attached links

Figure I-3 depicts a typical configuration of direct-attached links employing LLT over UDP.

**Figure I-3** A typical configuration of direct-attached links that use LLT over UDP



The configuration that the `/etc/llttab` file for Node 0 represents has directly attached crossover links. It might also have the links that are connected through a hub or switch. These links do not cross routers.

LLT uses IPv6 multicast requests for peer node address discovery. So the addresses of peer nodes do not need to be specified in the `/etc/llttab` file using the `set-addr`

command. Use the `ifconfig -a` command to verify that the IPv6 address is set correctly.

```
set-node Node0
set-cluster 1
#configure Links
#link tag-name device node-range link-type udp port MTU \
IP-address mcast-address
link link1 udp6 - udp6 50000 - fe80::21a:64ff:fe92:1b46 -
link link1 udp6 - udp6 50001 - fe80::21a:64ff:fe92:1b47 -
```

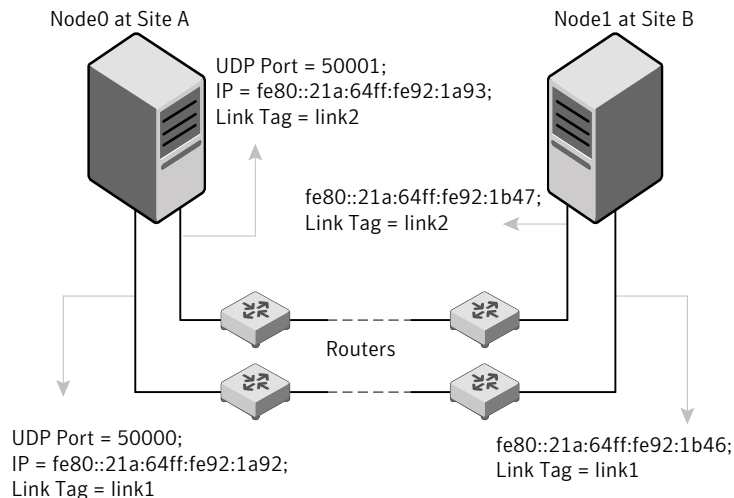
The file for Node 1 resembles:

```
set-node Node1
set-cluster 1
#configure Links
#link tag-name device node-range link-type udp port MTU \
IP-address mcast-address
link link1 udp6 - udp6 50000 - fe80::21a:64ff:fe92:1a92 -
link link1 udp6 - udp6 50001 - fe80::21a:64ff:fe92:1a93 -
```

## Sample configuration: links crossing IP routers

Figure I-4 depicts a typical configuration of links crossing an IP router employing LLT over UDP. The illustration shows two nodes of a four-node cluster.

**Figure I-4** A typical configuration of links crossing an IP router



The configuration that the following `/etc/llttab` file represents for Node 1 has links crossing IP routers. Notice that IPv6 addresses are shown for each link on each peer node. In this configuration multicasts are disabled.

```
set-node Node1
set-cluster 1

link link1 udp6 - udp6 50000 - fe80::21a:64ff:fe92:1a92 -
link link1 udp6 - udp6 50001 - fe80::21a:64ff:fe92:1a93 -

#set address of each link for all peer nodes in the cluster
#format: set-addr node-id link tag-name address
set-addr 0 link1 fe80::21a:64ff:fe92:1b46
set-addr 0 link2 fe80::21a:64ff:fe92:1b47
set-addr 2 link1 fe80::21a:64ff:fe92:1d70
set-addr 2 link2 fe80::21a:64ff:fe92:1d71
set-addr 3 link1 fe80::209:6bff:fe1b:1c94
set-addr 3 link2 fe80::209:6bff:fe1b:1c95

#disable LLT multicasts
set-bcasthb 0
set-arp 0
```

The `/etc/llttab` file on Node 0 resembles:

```
set-node Node0
set-cluster 1

link link1 udp6 - udp6 50000 - fe80::21a:64ff:fe92:1b46 -
link link2 udp6 - udp6 50001 - fe80::21a:64ff:fe92:1b47 -

#set address of each link for all peer nodes in the cluster
#format: set-addr node-id link tag-name address
set-addr 1 link1 fe80::21a:64ff:fe92:1a92
set-addr 1 link2 fe80::21a:64ff:fe92:1a93
set-addr 2 link1 fe80::21a:64ff:fe92:1d70
set-addr 2 link2 fe80::21a:64ff:fe92:1d71
set-addr 3 link1 fe80::209:6bff:fe1b:1c94
set-addr 3 link2 fe80::209:6bff:fe1b:1c95

#disable LLT multicasts
set-bcasthb 0
set-arp 0
```

# Compatibility issues when installing Storage Foundation Cluster File System High Availability with other products

This appendix includes the following topics:

- [Installing, uninstalling, or upgrading Storage Foundation products when other Veritas products are present](#)
- [Installing, uninstalling, or upgrading Storage Foundation products when VOM is already present](#)
- [Installing, uninstalling, or upgrading Storage Foundation products when ApplicationHA is already present](#)
- [Installing, uninstalling, or upgrading Storage Foundation products when NetBackup is already present](#)

## Installing, uninstalling, or upgrading Storage Foundation products when other Veritas products are present

Installing Storage Foundation when other Veritas products are installed can create compatibility issues. For example, installing Storage Foundation products when VOM, ApplicationHA, and NetBackup are present on the systems.

## Installing, uninstalling, or upgrading Storage Foundation products when VOM is already present

If you plan to install or upgrade Storage Foundation products on systems where VOM has already been installed, be aware of the following compatibility issues:

- When you install or upgrade Storage Foundation products where SFM or VOM Central Server is present, the installer skips the VRTSsfmh upgrade and leaves the SFM Central Server and Managed Host RPMs as is.
- When uninstalling Storage Foundation products where SFM or VOM Central Server is present, the installer does not uninstall VRTSsfmh.
- When you install or upgrade Storage Foundation products where SFM or VOM Managed Host is present, the installer gives warning messages that it will upgrade VRTSsfmh.

## Installing, uninstalling, or upgrading Storage Foundation products when ApplicationHA is already present

If you plan to install or upgrade Storage Foundation on systems where ApplicationHA has already been installed, be aware of the following compatibility issues:

- When you install or upgrade Storage Foundation products where ApplicationHA is present, the installer does not consider VCS as an installed product even though it uses the bundled VRTSvcS RPM.
- When you install or upgrade Storage Foundation products where ApplicationHA is present, the installer does not allow the installation or upgrade for products that use VCS. The following products cannot be installed or upgraded: VCS, SFHA, SFCFS, SFCFSHA, SFRAC, SFCFSRAC or SFSYBASECE.

- When you install or upgrade Storage Foundation products where ApplicationHA is present, the installer allows the installation or upgrade of VM, FS, SF, or DMP.
- When you uninstall Storage Foundation products where ApplicationHA is present, the installer does not uninstall VRTSsfmh.

## **Installing, uninstalling, or upgrading Storage Foundation products when NetBackup is already present**

If you plan to install or upgrade Storage Foundation on systems where NetBackup has already been installed, be aware of the following compatibility issues:

- When you install or upgrade Storage Foundation products where NetBackup is present, the installer does not uninstall VRTSspbx and VRTSsisco. It does not upgrade VRTSat.
- When you uninstall Storage Foundation products where NetBackup is present, the installer does not uninstall VRTSspbx, VRTSsisco, and VRTSat.

# Index

## A

- adding
  - users 106
- agents
  - about 416
  - CFSfsckd 433
  - CFSMount 429, 433
  - CVMCluster 420
  - CVMVolDg 426
  - CVMVxconfigd 423
  - disabling 314
  - of VCS 417
- applications, stopping 244
- attributes
  - about agent attributes 416
  - CFSMount agent 430, 434
  - CVMCluster agent 421
  - CVMVolDg agent 421, 427
  - CVMVxconfigd agent 424
  - UseFence 208

## B

- backup boot disk group 284–285
  - rejoining 284

## C

- cables
  - cross-over Ethernet 330
- CFS
  - mount and unmount failures 440
  - synchronization 37
  - troubleshooting 440
- CFSfsckd agent 433
  - attributes 434
- CFSMount agent 429, 433
  - attributes 430
  - entry points 430
  - sample configuration 432–433
  - type definition 432
- CFSTypes.cf 432

- cluster
  - removing a node from 353
  - verifying operation 297
- command failures 442
- commands
  - gabconfig 295
  - hastatus 297
  - hasys 298
  - lltconfig 383
  - lltstat 293
  - vxdisksetup (initializing disks) 119
  - vxlicinst 113–114
  - vxlicrep 113
- configuration file
  - main.cf 290
- configuring
  - rsh 55
  - ssh 55
- configuring Storage Foundation Cluster File System High Availability
  - script-based installer 93
- configuring VCS
  - adding users 106
  - event notification 107–108
  - global clusters 110
  - starting 94
- coordinator disks
  - DMP devices 27
  - for I/O fencing 27
  - setting up 206
- CVM
  - CVMTypes.cf file 422
- CVMCluster agent 420
  - attributes 421
  - entry points 421
  - sample configuration 422
  - type definition 422
- CVMTypes.cf
  - definition, CVMCluster agent 422
  - definition, CVMVolDg agent 428
  - definition, CVMVxconfigd agent 425



- CVMVoIdg agent 426
  - attributes 427
  - entry points 426
  - sample configuration 429
  - type definition 428
- CVMVxconfigd agent 423
  - attributes 424
  - CVMTypes.cf 425
  - entry points 423
  - sample configuration 426
  - type definition 425

## D

- data disks
  - for I/O fencing 27
- disabling the agents 314
- disk groups
  - rootdg 202
- disks
  - adding and initializing 119
  - coordinator 206
  - testing with vxfcntlshdw 120
  - verifying node access 121

## E

- Ethernet controllers 330

## F

- Fibre Channel fabric 47
- files
  - main.cf 290
- freezing service groups 244

## G

- GAB
  - port membership information 295
  - verifying 295
- gabconfig command 295
  - a (verifying GAB) 295
- gabtab file
  - verifying after installation 383
- global clusters
  - configuration 110

## H

- hastatus -summary command 297
- hasys -display command 298

- high availability issues 443
  - low memory 443
  - network partition 442
- hubs
  - independent 330

## I

- I/O fencing
  - checking disks 120
  - setting up 205
  - shared storage 120
- I/O fencing requirements
  - non-SCSI-3 35
- Installing
  - SFCFSHA with the Web-based installer 142
- installing
  - post 111
  - yum 196
- intelligent resource monitoring
  - disabling manually 417
  - enabling manually 417

## J

- jeopardy 442–443

## L

- license keys
  - adding with vxlicinst 113
  - replacing demo key 114
- licenses
  - information about 113
- licensing 37
  - add-on 36
  - CDS 37
  - full 36
- links
  - private network 383
- LLT
  - interconnects 45
  - verifying 293
- litconfig command 383
- llthosts file
  - verifying after installation 383
- lltstat command 293
- llttab file
  - verifying after installation 383
- log files 444

**M**

- main.cf file 290
- main.cf files 388
- manual pages
  - potential problems 442
  - troubleshooting 442
- media speed 45
  - optimizing 45
- membership information 295
- mount command
  - potential problems 441
- mounting
  - software disc 59

**N**

- network partition 442
- nodes
  - adding application nodes
    - configuring GAB 337
    - configuring LLT 337
    - configuring VXFEN 337
    - starting Volume Manager 337
  - preparing application nodes
    - configuring CVM 343
  - removing a node from a cluster
    - tasks 352
  - removing nodes
    - GAB configuration 355
    - LLT configuration 355
    - modifying VCS configuration 356
- non-SCSI-3 fencing
  - manual configuration 223
  - setting up 223
- non-SCSI-3 I/O fencing
  - requirements 35
- non-SCSI3 fencing
  - setting up 134
  - using installsfcfsha 134
- NTP
  - network time protocol daemon 37

**O**

- optimizing
  - media speed 45

**P**

- PATH variable
  - VCS commands 293

- persistent reservations
  - SCSI-3 55
- planning to upgrade VVR 238
- port a
  - membership 295
- port h
  - membership 295
- port membership information 295
- preinstallation 238
- preparing to upgrade VVR 244
- problems
  - accessing manual pages 442
  - executing file system commands 442
  - mounting and unmounting file systems 441

**Q**

- Quick I/O
  - performance on CFS 442

**R**

- rejoining
  - backup boot disk group 284
- removing
  - the Replicated Data Set 315
- removing a node from a cluster
  - editing VCS configuration files 354
  - procedure 353
  - tasks 352
- Replicated Data Set
  - removing the 315
- rolling upgrade 254, 257
  - versions 254
- root disk group 202
- rsh 95
  - configuration 55

**S**

- SAN
  - see Storage Area Network 47
- script-based installer
  - Storage Foundation Cluster File System High Availability configuration overview 93
- SCSI-3
  - persistent reservations 55
- SCSI-3 persistent reservations
  - verifying 205
- service groups
  - freezing 244

SFCFSHA  
 coordinator disks 206

SFCFSHA installation  
 verifying  
 cluster operations 293  
 GAB operations 293  
 LLT operations 293

SMTP email notification 107

SNMP trap notification 108

split brain 442

ssh 95  
 configuration 55

starting configuration  
 installvcs program 95  
 Veritas product installer 94

stopping  
 applications 244

Storage Area Network 47

Storage Foundation Cluster File System High  
 Availability  
 configuring 93

system state attribute value 297

**T**

troubleshooting  
 accessing manual pages 442  
 executing file system commands 442  
 mounting and unmounting file systems 441

tunables file  
 about setting parameters 371  
 parameter definitions 376  
 preparing 375  
 setting for configuration 372  
 setting for installation 372  
 setting for upgrade 372  
 setting parameters 375  
 setting with no other operations 373  
 setting with un-integrated response file 374

**U**

unsuccessful upgrade 285

upgrading  
 rolling 254

upgrading VVR  
 from 4.1 239  
 planning 238  
 preparing 244

**V**

VCS  
 command directory path variable 293

verifying  
 NIC configuration 112

Veritas Operations Manager 24

vradmin  
 delpri 316  
 stoprep 315

VVR  
 global cluster overview 306

VVR 4.1  
 planning an upgrade from 239

vxdisksetup command 119

vxlicinst command 113

vxlicrep command 113

vxplex  
 used to remove mirrors of root disk volumes 312

**W**

Web-based installer 142

**Y**

yum  
 installing 196