

# Veritas™ Cluster Server Installation Guide

Solaris

6.0

# Veritas Cluster Server Installation Guide

The software described in this book is furnished under a license agreement and may be used only in accordance with the terms of the agreement.

Product version: 6.0

Document version: 6.0.4

## Legal Notice

Copyright © 2015 Symantec Corporation. All rights reserved.

Symantec, the Symantec Logo, the Checkmark Logo, Veritas, Veritas Storage Foundation, CommandCentral, NetBackup, Enterprise Vault, and LiveUpdate are trademarks or registered trademarks of Symantec Corporation or its affiliates in the U.S. and other countries. Other names may be trademarks of their respective owners.

The product described in this document is distributed under licenses restricting its use, copying, distribution, and decompilation/reverse engineering. No part of this document may be reproduced in any form by any means without prior written authorization of Symantec Corporation and its licensors, if any.

THE DOCUMENTATION IS PROVIDED "AS IS" AND ALL EXPRESS OR IMPLIED CONDITIONS, REPRESENTATIONS AND WARRANTIES, INCLUDING ANY IMPLIED WARRANTY OF MERCHANTABILITY, FITNESS FOR A PARTICULAR PURPOSE OR NON-INFRINGEMENT, ARE DISCLAIMED, EXCEPT TO THE EXTENT THAT SUCH DISCLAIMERS ARE HELD TO BE LEGALLY INVALID. SYMANTEC CORPORATION SHALL NOT BE LIABLE FOR INCIDENTAL OR CONSEQUENTIAL DAMAGES IN CONNECTION WITH THE FURNISHING, PERFORMANCE, OR USE OF THIS DOCUMENTATION. THE INFORMATION CONTAINED IN THIS DOCUMENTATION IS SUBJECT TO CHANGE WITHOUT NOTICE.

The Licensed Software and Documentation are deemed to be commercial computer software as defined in FAR 12.212 and subject to restricted rights as defined in FAR Section 52.227-19 "Commercial Computer Software - Restricted Rights" and DFARS 227.7202, "Rights in Commercial Computer Software or Commercial Computer Software Documentation", as applicable, and any successor regulations. Any use, modification, reproduction release, performance, display or disclosure of the Licensed Software and Documentation by the U.S. Government shall be solely in accordance with the terms of this Agreement.

Symantec Corporation  
350 Ellis Street  
Mountain View, CA 94043

<http://www.symantec.com>

# Technical Support

Symantec Technical Support maintains support centers globally. Technical Support's primary role is to respond to specific queries about product features and functionality. The Technical Support group also creates content for our online Knowledge Base. The Technical Support group works collaboratively with the other functional areas within Symantec to answer your questions in a timely fashion. For example, the Technical Support group works with Product Engineering and Symantec Security Response to provide alerting services and virus definition updates.

Symantec's support offerings include the following:

- A range of support options that give you the flexibility to select the right amount of service for any size organization
- Telephone and/or Web-based support that provides rapid response and up-to-the-minute information
- Upgrade assurance that delivers software upgrades
- Global support purchased on a regional business hours or 24 hours a day, 7 days a week basis
- Premium service offerings that include Account Management Services

For information about Symantec's support offerings, you can visit our website at the following URL:

[www.symantec.com/business/support/index.jsp](http://www.symantec.com/business/support/index.jsp)

All support services will be delivered in accordance with your support agreement and the then-current enterprise technical support policy.

## Contacting Technical Support

Customers with a current support agreement may access Technical Support information at the following URL:

[www.symantec.com/business/support/contact\\_techsupp\\_static.jsp](http://www.symantec.com/business/support/contact_techsupp_static.jsp)

Before contacting Technical Support, make sure you have satisfied the system requirements that are listed in your product documentation. Also, you should be at the computer on which the problem occurred, in case it is necessary to replicate the problem.

When you contact Technical Support, please have the following information available:

- Product release level
- Hardware information

- Available memory, disk space, and NIC information
- Operating system
- Version and patch level
- Network topology
- Router, gateway, and IP address information
- Problem description:
  - Error messages and log files
  - Troubleshooting that was performed before contacting Symantec
  - Recent software configuration changes and network changes

## Licensing and registration

If your Symantec product requires registration or a license key, access our technical support Web page at the following URL:

[www.symantec.com/business/support/](http://www.symantec.com/business/support/)

## Customer service

Customer service information is available at the following URL:

[www.symantec.com/business/support/](http://www.symantec.com/business/support/)

Customer Service is available to assist with non-technical questions, such as the following types of issues:

- Questions regarding product licensing or serialization
- Product registration updates, such as address or name changes
- General product information (features, language availability, local dealers)
- Latest information about product updates and upgrades
- Information about upgrade assurance and support contracts
- Information about the Symantec Buying Programs
- Advice about Symantec's technical support options
- Nontechnical presales questions
- Issues that are related to CD-ROMs or manuals

## Documentation

Product guides are available on the media in PDF format. Make sure that you are using the current version of the documentation. The document version appears on

page 2 of each guide. The latest product documentation is available on the Symantec website.

<https://sort.symantec.com/documents>

Your feedback on product documentation is important to us. Send suggestions for improvements and reports on errors or omissions. Include the title and document version (located on the second page), and chapter and section titles of the text on which you are reporting. Send feedback to:

[doc\\_feedback@symantec.com](mailto:doc_feedback@symantec.com)

For information regarding the latest HOWTO articles, documentation updates, or to ask a question regarding product documentation, visit the Storage and Clustering Documentation forum on Symantec Connect.

<https://www-secure.symantec.com/connect/storage-management/forums/storage-and-clustering-documentation>

## Support agreement resources

If you want to contact Symantec regarding an existing support agreement, please contact the support agreement administration team for your region as follows:

Asia-Pacific and Japan	<a href="mailto:customercare_apac@symantec.com">customercare_apac@symantec.com</a>
Europe, Middle-East, and Africa	<a href="mailto:semea@symantec.com">semea@symantec.com</a>
North America and Latin America	<a href="mailto:supportsolutions@symantec.com">supportsolutions@symantec.com</a>

## About Symantec Connect

Symantec Connect is the peer-to-peer technical community site for Symantec's enterprise customers. Participants can connect and share information with other product users, including creating forum posts, articles, videos, downloads, blogs and suggesting ideas, as well as interact with Symantec product teams and Technical Support. Content is rated by the community, and members receive reward points for their contributions.

<http://www.symantec.com/connect/storage-management>

# Contents

Technical Support .....	4
Section 1      Installation overview and planning .....	20
Chapter 1      Introducing VCS .....	21
About Veritas Cluster Server .....	21
About VCS basics .....	21
About multiple nodes .....	22
About shared storage .....	22
About LLT and GAB .....	23
About network channels for heartbeating .....	23
About preexisting network partitions .....	24
About VCS seeding .....	24
About VCS features .....	25
About VCS notifications .....	25
About global clusters .....	25
About I/O fencing .....	25
About VCS optional components .....	26
About Veritas Operations Manager .....	26
About Cluster Manager (Java Console) .....	27
About VCS Simulator .....	27
Symantec Operations Readiness Tools .....	28
About configuring VCS clusters for data integrity .....	28
About I/O fencing for VCS in virtual machines that do not support SCSI-3 PR .....	29
About I/O fencing components .....	29
About preferred fencing .....	31
Chapter 2      System requirements .....	32
Important preinstallation information for VCS .....	32
Hardware requirements for VCS .....	33
Disk space requirements .....	34
Supported operating systems .....	34
I/O fencing requirements .....	34

	Coordinator disk requirements for I/O fencing .....	34
	CP server requirements .....	35
	Non-SCSI-3 I/O fencing requirements .....	38
	Number of nodes supported .....	39
	Discovering product versions and various requirement information .....	39
Chapter 3	Planning to install VCS .....	40
	VCS installation methods .....	40
	About the VCS installation program .....	41
	About the Web-based installer .....	43
	About response files .....	44
	Typical VCS cluster setup models .....	45
	Typical configuration of two-node VCS cluster .....	45
	Typical configuration of VCS clusters in secure mode .....	46
	Typical configuration of VOM-managed VCS clusters .....	47
Chapter 4	Licensing VCS .....	49
	About Veritas SFHA Solutions product licensing .....	49
	Obtaining VCS license keys .....	50
	Installing Veritas SFHA Solutions product license keys .....	51
Section 2	Preinstallation tasks .....	53
Chapter 5	Preparing to install VCS .....	54
	About preparing to install VCS .....	54
	Performing preinstallation tasks .....	54
	Setting up the private network .....	55
	About using ssh or rsh with the Veritas installer .....	58
	Setting up shared storage .....	59
	Setting the PATH variable .....	63
	Setting the MANPATH variable .....	63
	Disabling the abort sequence on SPARC systems .....	63
	Optimizing LLT media speed settings on private NICs .....	65
	Guidelines for setting the media speed of the LLT interconnects .....	65
	Preparing zone environments .....	65
	Mounting the product disc .....	66
	Performing automated preinstallation check .....	67
	Reformatting VCS configuration files on a stopped cluster .....	67
	Getting your VCS installation and configuration information ready .....	68

Section 3	Installation using the script-based installer .....	75
Chapter 6	Installing VCS .....	76
	Installing VCS using the installer .....	76
	Installing language packages using the installer .....	80
Chapter 7	Preparing to configure VCS .....	81
	About planning to configure I/O fencing .....	81
	Typical VCS cluster configuration with disk-based I/O fencing .....	84
	Typical VCS cluster configuration with server-based I/O fencing .....	85
	Recommended CP server configurations .....	85
	Setting up the CP server .....	88
	Planning your CP server setup .....	88
	Installing the CP server using the installer .....	89
	Configuring the CP server cluster in secure mode .....	90
	Setting up shared storage for the CP server database .....	90
	Configuring the CP server using the configuration utility .....	91
	Configuring the CP server manually .....	101
	Verifying the CP server configuration .....	103
Chapter 8	Configuring VCS .....	104
	Overview of tasks to configure VCS using the script-based installer .....	104
	Starting the software configuration .....	105
	Specifying systems for configuration .....	106
	Configuring the cluster name .....	107
	Configuring private heartbeat links .....	107
	Configuring the virtual IP of the cluster .....	110
	Configuring the cluster in secure mode .....	112
	Setting up trust relationships for your VCS cluster .....	113
	Configuring a secure cluster node by node .....	114
	Configuring the first node .....	114
	Configuring the remaining nodes .....	115
	Completing the secure cluster configuration .....	116
	Adding VCS users .....	117
	Configuring SMTP email notification .....	118
	Configuring SNMP trap notification .....	120

	Configuring global clusters .....	122
	Completing the VCS configuration .....	123
	Verifying and updating licenses on the system .....	124
	Checking licensing information on the system .....	124
	Updating product licenses using vxlicinst .....	125
Chapter 9	Configuring VCS clusters for data integrity .....	127
	Setting up disk-based I/O fencing using installvcs program .....	127
	Initializing disks as VxVM disks .....	127
	Configuring disk-based I/O fencing using installvcs program .....	128
	Checking shared disks for I/O fencing .....	130
	Setting up server-based I/O fencing using installvcs program .....	134
	Setting up non-SCSI-3 server-based I/O fencing in virtual environments using installvcs program .....	135
	Enabling or disabling the preferred fencing policy .....	136
Section 4	Installation using the Web-based installer .....	139
Chapter 10	Installing VCS .....	140
	Before using the Veritas Web-based installer .....	140
	Starting the Veritas Web-based installer .....	141
	Obtaining a security exception on Mozilla Firefox .....	141
	Performing a pre-installation check with the Veritas Web-based installer .....	142
	Installing VCS with the Web-based installer .....	142
Chapter 11	Configuring VCS .....	145
	Configuring VCS using the Web-based installer .....	145
	Configuring VCS for data integrity using the Web-based installer .....	150
Section 5	Installation using response files .....	154
Chapter 12	Performing automated VCS installation .....	155
	Installing VCS using response files .....	155
	Response file variables to install VCS .....	156
	Sample response file for installing VCS .....	158

Chapter 13	Performing automated VCS configuration .....	160
	Configuring VCS using response files .....	160
	Response file variables to configure Veritas Cluster Server .....	161
	Sample response file for configuring VCS .....	170
Chapter 14	Performing automated I/O fencing configuration for VCS .....	171
	Configuring I/O fencing using response files .....	171
	Response file variables to configure disk-based I/O fencing .....	172
	Sample response file for configuring disk-based I/O fencing .....	173
	Response file variables to configure server-based I/O fencing .....	174
	Sample response file for configuring server-based I/O fencing .....	176
	Response file variables to configure non-SCSI-3 server-based I/O fencing .....	176
	Sample response file for configuring non-SCSI-3 server-based I/O fencing .....	177
Section 6	Manual installation .....	179
Chapter 15	Performing preinstallation tasks .....	180
	Preparing for a manual installation .....	180
	Requirements for installing VCS .....	180
Chapter 16	Manually installing VCS .....	181
	About VCS manual installation .....	181
	Installing VCS software manually .....	181
	Viewing the list of VCS packages .....	182
	Installing VCS packages for a manual installation .....	183
	Installing language packages in a manual installation .....	184
	Adding a license key for a manual installation .....	185
	Copying the installation guide to each node .....	187
	Installing using JumpStart .....	188
	Overview of JumpStart installation tasks .....	188
	Generating the finish scripts .....	189
	Preparing installation resources .....	189
	Adding language pack information to the finish file .....	190
	Using a Flash archive to install VCS and the operating system .....	191

Chapter 17	Manually configuring VCS .....	194
	About configuring VCS manually .....	194
	Configuring LLT manually .....	194
	Setting up /etc/llthosts for a manual installation .....	195
	Setting up /etc/llttab for a manual installation .....	195
	About LLT directives in /etc/llttab file .....	196
	Additional considerations for LLT for a manual installation .....	198
	Configuring GAB manually .....	198
	Configuring VCS manually .....	199
	Configuring the cluster UUID when creating a cluster manually .....	200
	Configuring VCS in single node mode .....	200
	Starting LLT, GAB, and VCS after manual configuration .....	201
	Modifying the VCS configuration .....	202
	Configuring the ClusterService group .....	203
Chapter 18	Manually configuring the clusters for data integrity .....	204
	Setting up disk-based I/O fencing manually .....	204
	Identifying disks to use as coordinator disks .....	205
	Setting up coordinator disk groups .....	205
	Creating I/O fencing configuration files .....	206
	Modifying VCS configuration to use I/O fencing .....	207
	Verifying I/O fencing configuration .....	208
	Setting up server-based I/O fencing manually .....	209
	Preparing the CP servers manually for use by the VCS cluster .....	210
	Configuring server-based fencing on the VCS cluster manually .....	213
	Configuring CoordPoint agent to monitor coordination points .....	219
	Verifying server-based I/O fencing configuration .....	220
	Setting up non-SCSI-3 fencing in virtual environments manually .....	221
	Sample /etc/vxfenmode file for non-SCSI-3 fencing .....	223
Section 7	Upgrading VCS .....	227
Chapter 19	Planning to upgrade VCS .....	228
	About upgrading to VCS 6.0 .....	228
	VCS supported upgrade paths .....	229
	Upgrading VCS in secure enterprise environments .....	231

Chapter 20	Performing a typical VCS upgrade using the installer .....	233
	Before upgrading using the script-based or Web-based installer .....	233
	Upgrading VCS using the script-based installer .....	233
	Upgrading Veritas Cluster Server using the Veritas Web-based installer .....	235
Chapter 21	Performing a phased upgrade .....	237
	About phased upgrade .....	237
	Prerequisites for a phased upgrade .....	237
	Planning for a phased upgrade .....	237
	Phased upgrade limitations .....	238
	Phased upgrade example .....	238
	Phased upgrade example overview .....	239
	Performing a phased upgrade .....	240
	Moving the service groups to the second subcluster .....	240
	Upgrading the operating system on the first subcluster .....	244
	Upgrading the first subcluster .....	244
	Preparing the second subcluster .....	246
	Activating the first subcluster .....	251
	Upgrading the operating system on the second subcluster .....	252
	Upgrading the second subcluster .....	253
	Finishing the phased upgrade .....	254
Chapter 22	Performing an automated VCS upgrade using response files .....	258
	Upgrading VCS using response files .....	258
	Response file variables to upgrade VCS .....	259
	Sample response file for upgrading VCS .....	260
Chapter 23	Performing a rolling upgrade .....	262
	About rolling upgrades .....	262
	Performing a rolling upgrade using the installer .....	264
	Performing a rolling upgrade using the script-based installer .....	264
	Performing a rolling upgrade of VCS using the Web-based installer .....	266
Chapter 24	Upgrading using Live Upgrade .....	268
	About Live Upgrade .....	268
	Veritas Cluster Server exceptions for Live Upgrade .....	269

	Supported upgrade paths for Live Upgrade .....	269
	Before you upgrade VCS using Solaris Live Upgrade .....	270
	Upgrading VCS and Solaris using Live Upgrade .....	273
	Creating a new boot environment on the alternate boot disk .....	274
	Upgrading VCS using the installer for a Live Upgrade .....	275
	Upgrading VCS manually .....	276
	Completing the Live Upgrade .....	278
	Verifying Live Upgrade of VCS .....	279
	Upgrading Solaris using Live Upgrade .....	280
	Removing and reinstalling VCS using the installer .....	281
	Upgrading VCS using Live Upgrade .....	282
	Administering boot environments .....	282
	Reverting to the primary boot environment .....	283
	Switching the boot environment for Solaris SPARC .....	283
	Switching the boot environment for Solaris x86-64 .....	284
Chapter 25	Upgrading the Solaris operating system .....	287
	Upgrading Solaris versions .....	287
	Upgrading Solaris on a node .....	287
Section 8	Post-installation tasks .....	292
Chapter 26	Performing post-installation tasks .....	293
	About enabling LDAP authentication for clusters that run in secure mode .....	293
	Enabling LDAP authentication for clusters that run in secure mode .....	295
	Accessing the VCS documentation .....	299
	Removing permissions for communication .....	299
Chapter 27	Installing or upgrading VCS components .....	300
	Installing the Java Console .....	300
	Software requirements for the Java Console .....	300
	Hardware requirements for the Java Console .....	301
	Installing the Java Console on Solaris .....	301
	Installing the Java Console on a Windows system .....	302
	Upgrading the Java Console .....	302
	Installing VCS Simulator .....	303
	Software requirements for VCS Simulator .....	303
	Installing VCS Simulator on Windows systems .....	303
	Reviewing the installation .....	304

	Upgrading VCS Simulator .....	305
Chapter 28	Verifying the VCS installation .....	306
	About verifying the VCS installation .....	306
	About the cluster UUID .....	306
	Verifying the LLT, GAB, and VCS configuration files .....	307
	Verifying LLT, GAB, and cluster operation .....	307
	Verifying LLT .....	308
	Verifying GAB .....	310
	Verifying the cluster .....	312
	Verifying the cluster nodes .....	312
	Performing a postcheck on a node .....	315
	About using the postcheck option .....	315
Section 9	Uninstalling VCS .....	318
Chapter 29	Uninstalling VCS using the installer .....	319
	Preparing to uninstall VCS .....	319
	Uninstalling VCS using the script-based installer .....	320
	Removing VCS 6.0 packages .....	320
	Running <code>uninstallvcs</code> from the VCS 6.0 disc .....	321
	Uninstalling VCS with the Veritas Web-based installer .....	321
	Removing language packages using the uninstaller program .....	322
	Removing the CP server configuration using the removal script .....	322
Chapter 30	Uninstalling VCS using response files .....	325
	Uninstalling VCS using response files .....	325
	Response file variables to uninstall VCS .....	326
	Sample response file for uninstalling VCS .....	326
Chapter 31	Manually uninstalling VCS .....	328
	Removing VCS packages manually .....	328
	Manually remove the CP server fencing configuration .....	331
	Manually deleting cluster details from a CP server .....	331

Section 10	Adding and removing nodes .....	334
Chapter 32	Adding a node to a single-node cluster .....	335
	Adding a node to a single-node cluster .....	335
	Setting up a node to join the single-node cluster .....	336
	Installing and configuring Ethernet cards for private network .....	337
	Configuring the shared storage .....	338
	Bringing up the existing node .....	338
	Installing the VCS software manually when adding a node to a single node cluster .....	339
	Creating configuration files .....	339
	Starting LLT and GAB .....	339
	Reconfiguring VCS on the existing node .....	339
	Verifying configuration on both nodes .....	341
Chapter 33	Adding and removing cluster nodes .....	342
	About adding and removing nodes .....	342
	Adding nodes using the VCS installer .....	342
	Adding a node using the Web-based installer .....	345
	Manually adding a node to a cluster .....	345
	Setting up the hardware .....	346
	Installing the VCS software manually when adding a node .....	347
	Setting up the node to run in secure mode .....	348
	Configuring LLT and GAB when adding a node to the cluster .....	351
	Configuring I/O fencing on the new node .....	353
	Adding the node to the existing cluster .....	357
	Starting VCS and verifying the cluster .....	358
	Removing a node from a cluster .....	358
	Verifying the status of nodes and service groups .....	359
	Deleting the departing node from VCS configuration .....	360
	Modifying configuration files on each remaining node .....	363
	Removing the node configuration from the CP server .....	364
	Removing security credentials from the leaving node .....	365
	Unloading LLT and GAB and removing VCS on the departing node .....	365
Section 11	Installation reference .....	368
Appendix A	Services and ports .....	369
	About SFHA services and ports .....	369

Appendix B	VCS installation packages .....	371
	Veritas Cluster Server installation packages .....	371
Appendix C	Installation command options .....	376
	Command options for installvcs program .....	376
	Command options for uninstallvcs program .....	383
Appendix D	Changes to bundled agents in VCS 6.0 .....	385
	Deprecated agents .....	385
	New agents .....	386
	New and modified attributes for VCS 6.0 agents .....	386
	Manually removing deprecated resource types and modifying attributes .....	406
	Creating new VCS accounts if you used native operating system accounts .....	407
Appendix E	Configuration files .....	409
	About the LLT and GAB configuration files .....	409
	About the AMF configuration files .....	412
	About the VCS configuration files .....	413
	Sample main.cf file for VCS clusters .....	415
	Sample main.cf file for global clusters .....	416
	About I/O fencing configuration files .....	418
	Sample configuration files for CP server .....	420
	Sample main.cf file for CP server hosted on a single node that runs VCS .....	421
	Sample main.cf file for CP server hosted on a two-node SFHA cluster .....	423
	Sample CP server configuration (/etc/vxcps.conf) file output .....	426
Appendix F	Installing VCS on a single node .....	427
	About installing VCS on a single node .....	427
	Creating a single-node cluster using the installer program .....	428
	Preparing for a single node installation .....	428
	Starting the installer for the single node cluster .....	428
	Creating a single-node cluster manually .....	429
	Setting the path variable for a manual single node installation .....	429
	Installing VCS software manually on a single node .....	430
	Configuring VCS .....	430
	Verifying single-node operation .....	430

Appendix G	Configuring LLT over UDP .....	431
	Using the UDP layer for LLT .....	431
	When to use LLT over UDP .....	431
	Manually configuring LLT over UDP using IPv4 .....	431
	Broadcast address in the /etc/llttab file .....	432
	The link command in the /etc/llttab file .....	433
	The set-addr command in the /etc/llttab file .....	433
	Selecting UDP ports .....	434
	Configuring the netmask for LLT .....	435
	Configuring the broadcast address for LLT .....	435
	Sample configuration: direct-attached links .....	436
	Sample configuration: links crossing IP routers .....	438
	Manually configuring LLT over UDP using IPv6 .....	440
	The link command in the /etc/llttab file .....	441
	The set-addr command in the /etc/llttab file .....	442
	Selecting UDP ports .....	442
	Sample configuration: direct-attached links .....	443
	Sample configuration: links crossing IP routers .....	445
	LLT over UDP sample /etc/llttab .....	447
Appendix H	Configuring the secure shell or the remote shell for communications .....	449
	Setting up inter-system communication .....	449
	Setting up ssh on cluster systems .....	449
	Configuring ssh .....	450
Appendix I	Troubleshooting VCS installation .....	454
	What to do if you see a licensing reminder .....	454
	Restarting the installer after a failed connection .....	455
	Starting and stopping processes for the Veritas products .....	455
	Installer cannot create UUID for the cluster .....	456
	LLT startup script displays errors .....	456
	The vxfsntshdw utility fails when SCSI TEST UNIT READY command fails .....	457
	Issues during fencing startup on VCS cluster nodes set up for server-based fencing .....	457

Appendix J	Sample VCS cluster setup diagrams for CP server-based I/O fencing .....	459
	Configuration diagrams for setting up server-based I/O fencing .....	459
	Two unique client clusters served by 3 CP servers .....	460
	Client cluster served by highly available CPS and 2 SCSI-3 disks .....	461
	Two node campus cluster served by remote CP server and 2 SCSI-3 disks .....	462
	Multiple client clusters served by highly available CP server and 2 SCSI-3 disks .....	464
Appendix K	Reconciling major/minor numbers for NFS shared disks .....	466
	Reconciling major/minor numbers for NFS shared disks .....	466
	Checking major and minor numbers for disk partitions .....	467
	Checking the major and minor number for VxVM volumes .....	470
Appendix L	Compatibility issues when installing Veritas Cluster Server with other products .....	473
	Installing, uninstalling, or upgrading Storage Foundation products when other Veritas products are present .....	473
	Installing, uninstalling, or upgrading Storage Foundation products when VOM is already present .....	474
	Installing, uninstalling, or upgrading Storage Foundation products when NetBackup is already present .....	474
Index .....		475

# Installation overview and planning

- [Chapter 1. Introducing VCS](#)
- [Chapter 2. System requirements](#)
- [Chapter 3. Planning to install VCS](#)
- [Chapter 4. Licensing VCS](#)

# Introducing VCS

This chapter includes the following topics:

- [About Veritas Cluster Server](#)
- [About VCS basics](#)
- [About VCS features](#)
- [About VCS optional components](#)
- [Symantec Operations Readiness Tools](#)
- [About configuring VCS clusters for data integrity](#)

## About Veritas Cluster Server

Veritas™ Cluster Server by Symantec is a high-availability solution for applications and services configured in a cluster. Veritas Cluster Server (VCS) monitors systems and application services, and restarts services when hardware or software fails.

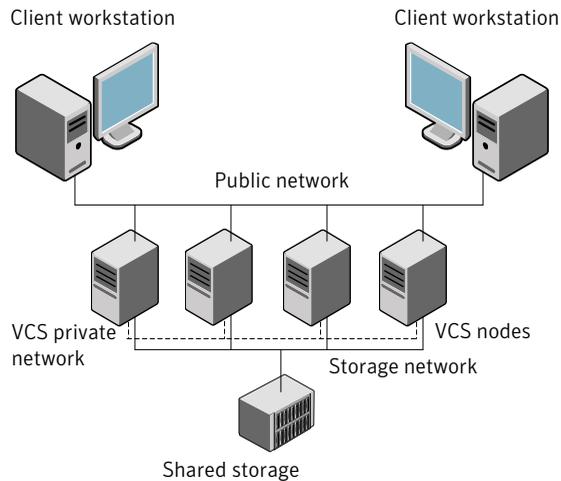
## About VCS basics

A single VCS cluster consists of multiple systems that are connected in various combinations to storage devices. When a system is part of a VCS cluster, it is called a node. VCS monitors and controls applications running in the cluster on nodes, and restarts applications in response to a variety of hardware or software faults.

Applications can continue to operate with little or no downtime. In some cases, such as NFS, this continuation is transparent to high-level applications and users. In other cases, a user might have to retry an operation, such as a Web server reloading a page.

Figure 1-1 illustrates a typical VCS configuration of four nodes that are connected to shared storage.

Figure 1-1 Example of a four-node VCS cluster



Client workstations receive service over the public network from applications running on VCS nodes. VCS monitors the nodes and their services. VCS nodes in the cluster communicate over a private network.

## About multiple nodes

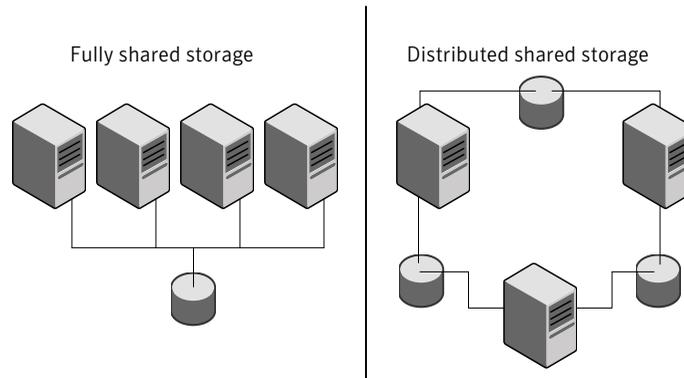
VCS runs in a replicated state on each node in the cluster. A private network enables the nodes to share identical state information about all resources. The private network also recognizes active nodes, nodes that join or leave the cluster, and failed nodes. The private network requires two communication channels to guard against network partitions.

## About shared storage

A VCS hardware configuration typically consists of multiple nodes that are connected to shared storage through I/O channels. Shared storage provides multiple systems with an access path to the same data. It also enables VCS to restart applications on alternate nodes when a node fails, which ensures high availability.

VCS nodes can only access physically-attached storage.

Figure 1-2 illustrates the flexibility of VCS shared storage configurations.

**Figure 1-2** Two examples of shared storage configurations

## About LLT and GAB

VCS uses two components, LLT and GAB, to share data over private networks among systems. These components provide the performance and reliability that VCS requires.

LLT (Low Latency Transport) provides fast kernel-to-kernel communications, and monitors network connections.

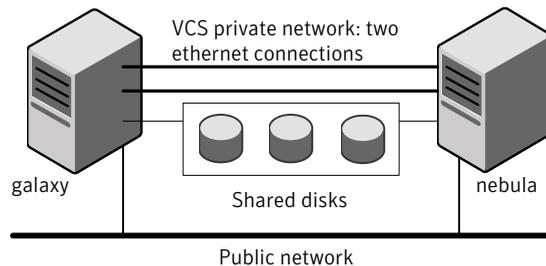
GAB (Group Membership and Atomic Broadcast) provides globally ordered message that is required to maintain a synchronized state among the nodes.

## About network channels for heartbeating

For the VCS private network, two network channels must be available to carry heartbeat information. These network connections also transmit other VCS-related information.

Each cluster configuration requires at least two network channels between the systems. The requirement for two channels protects your cluster against network partitioning. For more information on network partitioning, refer to the *Veritas Cluster Server Administrator's Guide*.

[Figure 1-3](#) illustrates a two-node VCS cluster where the nodes galaxy and nebula have two private network connections.

**Figure 1-3** Two Ethernet connections connecting two nodes

## About preexisting network partitions

A preexisting network partition refers to failure in the communication channels that occurs while the systems are down and VCS cannot respond. When the systems start, VCS seeding reduces vulnerability to network partitioning, regardless of the cause of the failure.

## About VCS seeding

To protect your cluster from a preexisting network partition, VCS uses a seed. A seed is a function of GAB that determines whether or not all nodes have joined a cluster. For this determination, GAB requires that you declare the number of nodes in the cluster. Note that only seeded nodes can run VCS.

GAB automatically seeds nodes under the following conditions:

- An unseeded node communicates with a seeded node
- All nodes in the cluster are unseeded but can communicate with each other

When the last system starts and joins the cluster, the cluster seeds and starts VCS on all nodes. You can then bring down and restart nodes in any combination. Seeding remains in effect as long as at least one instance of VCS is running somewhere in the cluster.

Perform a manual seed to run VCS from a cold start when one or more systems of the cluster are unavailable. VCS does not start service groups on a system until it has a seed. However, if you have I/O fencing enabled in your cluster, you can still configure GAB to automatically seed the cluster even when some cluster nodes are unavailable.

See the *Veritas Cluster Server Administrator's Guide*.

## About VCS features

VCS offers the following features that you can configure during VCS configuration:

VCS notifications	See <a href="#">“About VCS notifications”</a> on page 25.
VCS global clusters	See <a href="#">“About global clusters”</a> on page 25.
I/O fencing	See <a href="#">“About I/O fencing”</a> on page 25.

## About VCS notifications

You can configure both Simple Network Management Protocol (SNMP) and Simple Mail Transfer Protocol (SMTP) notifications for VCS. Symantec recommends you to configure at least one of these notifications. You have the following options:

- Configure SNMP trap notification of VCS events using the VCS Notifier component.
- Configure SMTP email notification of VCS events using the VCS Notifier component.

See the *Veritas Cluster Server Administrator's Guide*.

## About global clusters

Global clusters provide the ability to fail over applications between geographically distributed clusters when disaster occurs. You require a separate license to configure global clusters. You must add this license during the installation. The installer only asks about configuring global clusters if you have used the global cluster license.

See the *Veritas Cluster Server Administrator's Guide*.

## About I/O fencing

I/O fencing protects the data on shared disks when nodes in a cluster detect a change in the cluster membership that indicates a split-brain condition.

The fencing operation determines the following:

- The nodes that must retain access to the shared storage
- The nodes that must be ejected from the cluster

This decision prevents possible data corruption. The installer installs the I/O fencing driver, VRTSvxfen, when you install VCS. To protect data on shared disks, you must configure I/O fencing after you install and configure VCS.

I/O fencing technology uses coordination points for arbitration in the event of a network partition.

I/O fencing coordination points can be coordinator disks or coordination point servers (CP servers) or both. You can configure disk-based or server-based I/O fencing:

Disk-based I/O fencing	<p>I/O fencing that uses coordinator disks is referred to as disk-based I/O fencing.</p> <p>Disk-based I/O fencing ensures data integrity in a single cluster.</p>
Server-based I/O fencing	<p>I/O fencing that uses at least one CP server system is referred to as server-based I/O fencing. Server-based fencing can include only CP servers, or a mix of CP servers and coordinator disks.</p> <p>Server-based I/O fencing ensures data integrity in multiple clusters.</p> <p>In virtualized environments that do not support SCSI-3 PR, VCS supports non-SCSI-3 server-based I/O fencing.</p>

See [“About planning to configure I/O fencing”](#) on page 81.

---

**Note:** Symantec recommends that you use I/O fencing to protect your cluster against split-brain situations.

---

See the *Veritas Cluster Server Administrator's Guide*.

## About VCS optional components

You can add the following optional components to VCS:

Veritas Operations Manager	See <a href="#">“About Veritas Operations Manager”</a> on page 26.
Cluster Manager (Java console)	See <a href="#">“About Cluster Manager (Java Console)”</a> on page 27.
VCS Simulator	See <a href="#">About VCS Simulator</a> on page 27.

## About Veritas Operations Manager

Symantec recommends use of Veritas Operations Manager to manage Storage Foundation and Cluster Server environments.

Veritas Operations Manager provides a centralized management console for Veritas Storage Foundation and High Availability products. You can use Veritas Operations Manager to monitor, visualize, and manage storage resources and generate reports.

You can download Veritas Operations Manager at no charge at <http://go.symantec.com/vom>.

Refer to the Veritas Operations Manager documentation for installation, upgrade, and configuration instructions.

If you want to manage a single cluster using Cluster Manager (Java Console), a version is available for download from [https://www4.symantec.com/Vrt/offer?a\\_id=89446](https://www4.symantec.com/Vrt/offer?a_id=89446). You cannot manage the new features of this release using the Java Console. Veritas Cluster Server Management Console is deprecated.

## About Cluster Manager (Java Console)

Cluster Manager (Java Console) offers administration capabilities for your cluster. Use the different views in the Java Console to monitor and manage clusters and Veritas Cluster Server (VCS) objects, including service groups, systems, resources, and resource types. You cannot manage the new features of this release using the Java Console.

See *Veritas Cluster Server Administrator's Guide*.

If you want to manage a single cluster using Cluster Manager (Java Console), the latest version is available for download from [https://www4.symantec.com/Vrt/offer?a\\_id=89446](https://www4.symantec.com/Vrt/offer?a_id=89446). You will need a (free) SymAccount for downloading.

The Veritas Cluster Server Management Console is deprecated. Symantec recommends using Veritas Operations Manager to manage Storage Foundation and Cluster Server environments.

## About VCS Simulator

VCS Simulator enables you to simulate and test cluster configurations. Use VCS Simulator to view and modify service group and resource configurations and test failover behavior. VCS Simulator can be run on a stand-alone system and does not require any additional hardware. You can install VCS Simulator only on a Windows operating system.

VCS Simulator runs an identical version of the VCS High Availability Daemon (HAD) as in a cluster, ensuring that failover decisions are identical to those in an actual cluster.

You can test configurations from different operating systems using VCS Simulator. For example, you can run VCS Simulator to test configurations for VCS clusters on Windows, AIX, HP-UX, Linux, and Solaris operating systems. VCS Simulator also enables creating and testing global clusters.

You can administer VCS Simulator from the Java Console or from the command line.

To download VCS Simulator, go to [http://go.symantec.com/vcsm\\_download](http://go.symantec.com/vcsm_download).

## Symantec Operations Readiness Tools

[Symantec Operations Readiness Tools \(SORT\)](#) is a Web site that automates and simplifies some of the most time-consuming administrative tasks. SORT helps you manage your datacenter more efficiently and get the most out of your Symantec products.

Among its broad set of features, SORT lets you do the following:

- Generate server-specific reports that describe how to prepare your servers for installation or upgrade of Symantec enterprise products.
- Access a single site with the latest production information, including patches, agents, and documentation.
- Create automatic email notifications for changes in patches, documentation, and array-specific modules.

To access SORT, go to:

<https://sort.symantec.com>

## About configuring VCS clusters for data integrity

When a node fails, VCS takes corrective action and configures its components to reflect the altered membership. If an actual node failure did not occur and if the symptoms were identical to those of a failed node, then such corrective action would cause a split-brain situation.

Some example scenarios that can cause such split-brain situations are as follows:

- Broken set of private networks  
If a system in a two-node cluster fails, the system stops sending heartbeats over the private interconnects. The remaining node then takes corrective action. The failure of the private interconnects, instead of the actual nodes, presents identical symptoms and causes each node to determine its peer has departed. This situation typically results in data corruption because both nodes try to take control of data storage in an uncoordinated manner

- System that appears to have a system-hang  
If a system is so busy that it appears to stop responding, the other nodes could declare it as dead. This declaration may also occur for the nodes that use the hardware that supports a "break" and "resume" function. When a node drops to PROM level with a break and subsequently resumes operations, the other nodes may declare the system dead. They can declare it dead even if the system later returns and begins write operations.

I/O fencing is a feature that prevents data corruption in the event of a communication breakdown in a cluster. VCS uses I/O fencing to remove the risk that is associated with split-brain. I/O fencing allows write access for members of the active cluster. It blocks access to storage from non-members so that even a node that is alive is unable to cause damage.

After you install and configure VCS, you must configure I/O fencing in VCS to ensure data integrity.

See [“About planning to configure I/O fencing”](#) on page 81.

## About I/O fencing for VCS in virtual machines that do not support SCSI-3 PR

In a traditional I/O fencing implementation, where the coordination points are coordination point servers (CP servers) or coordinator disks, Veritas Clustered Volume Manager and Veritas I/O fencing modules provide SCSI-3 persistent reservation (SCSI-3 PR) based protection on the data disks. This SCSI-3 PR protection ensures that the I/O operations from the losing node cannot reach a disk that the surviving sub-cluster has already taken over.

See the *Veritas Cluster Server Administrator's Guide* for more information on how I/O fencing works.

In virtualized environments that do not support SCSI-3 PR, VCS attempts to provide reasonable safety for the data disks. VCS requires you to configure non-SCSI-3 server-based I/O fencing in such environments. Non-SCSI-3 fencing uses CP servers as coordination points with some additional configuration changes to support I/O fencing in such environments.

See [“Setting up non-SCSI-3 server-based I/O fencing in virtual environments using installvcs program”](#) on page 135.

See [“Setting up non-SCSI-3 fencing in virtual environments manually”](#) on page 221.

## About I/O fencing components

The shared storage for VCS must support SCSI-3 persistent reservations to enable I/O fencing. VCS involves two types of shared storage:

- Data disks—Store shared data  
See “[About data disks](#)” on page 30.
- Coordination points—Act as a global lock during membership changes  
See “[About coordination points](#)” on page 30.

## About data disks

Data disks are standard disk devices for data storage and are either physical disks or RAID Logical Units (LUNs).

These disks must support SCSI-3 PR and must be part of standard VxVM disk groups. VxVM is responsible for fencing data disks on a disk group basis. Disks that are added to a disk group and new paths that are discovered for a device are automatically fenced.

## About coordination points

Coordination points provide a lock mechanism to determine which nodes get to fence off data drives from other nodes. A node must eject a peer from the coordination points before it can fence the peer from the data drives. VCS prevents split-brain when vxfen races for control of the coordination points and the winner partition fences the ejected nodes from accessing the data disks.

---

**Note:** Typically, a fencing configuration for a cluster must have three coordination points. Symantec also supports server-based fencing with a single CP server as its only coordination point with a caveat that this CP server becomes a single point of failure.

---

The coordination points can either be disks or servers or both.

- Coordinator disks  
Disks that act as coordination points are called coordinator disks. Coordinator disks are three standard disks or LUNs set aside for I/O fencing during cluster reconfiguration. Coordinator disks do not serve any other storage purpose in the VCS configuration.  
You can configure coordinator disks to use Veritas Volume Manager Dynamic Multi-pathing (DMP) feature. Dynamic Multi-pathing (DMP) allows coordinator disks to take advantage of the path failover and the dynamic adding and removal capabilities of DMP. So, you can configure I/O fencing to use either DMP devices or the underlying raw character devices. I/O fencing uses SCSI-3 disk policy that is either raw or dmp based on the disk device that you use. The disk policy is dmp by default.  
See the *Veritas Storage Foundation Administrator's Guide*.

- Coordination point servers

The coordination point server (CP server) is a software solution which runs on a remote system or cluster. CP server provides arbitration functionality by allowing the VCS cluster nodes to perform the following tasks:

- Self-register to become a member of an active VCS cluster (registered with CP server) with access to the data drives
- Check which other nodes are registered as members of this active VCS cluster
- Self-unregister from this active VCS cluster
- Forcefully unregister other nodes (preempt) as members of this active VCS cluster

In short, the CP server functions as another arbitration mechanism that integrates within the existing I/O fencing module.

---

**Note:** With the CP server, the fencing arbitration logic still remains on the VCS cluster.

---

Multiple VCS clusters running different operating systems can simultaneously access the CP server. TCP/IP based communication is used between the CP server and the VCS clusters.

## About preferred fencing

The I/O fencing driver uses coordination points to prevent split-brain in a VCS cluster. By default, the fencing driver favors the subcluster with maximum number of nodes during the race for coordination points. With the preferred fencing feature, you can specify how the fencing driver must determine the surviving subcluster.

You can configure the preferred fencing policy using the cluster-level attribute PreferredFencingPolicy as follows:

- Enable system-based preferred fencing policy to give preference to high capacity systems.
- Enable group-based preferred fencing policy to give preference to service groups for high priority applications.
- Disable preferred fencing policy to use the default node count-based race policy.

See the *Veritas Cluster Server Administrator's Guide* for more details.

See [“Enabling or disabling the preferred fencing policy”](#) on page 136.

# System requirements

This chapter includes the following topics:

- [Important preinstallation information for VCS](#)
- [Hardware requirements for VCS](#)
- [Disk space requirements](#)
- [Supported operating systems](#)
- [I/O fencing requirements](#)
- [Number of nodes supported](#)
- [Discovering product versions and various requirement information](#)

## Important preinstallation information for VCS

Before you install VCS, make sure that you have reviewed the following information:

- The hardware compatibility list contains information about supported hardware and is updated regularly. For the latest information on supported hardware visit the following URL:  
<http://www.symantec.com/docs/TECH170013>  
Before installing or upgrading VCS, review the current compatibility list to confirm the compatibility of your hardware and software.
- For important updates regarding this release, review the Late-Breaking News TechNote on the Symantec Technical Support website:  
<http://www.symantec.com/docs/TECH164885>
- You can install VCS on clusters of up to 64 systems.  
Every system where you want to install VCS must meet the hardware and the software requirements.

# Hardware requirements for VCS

[Table 2-1](#) lists the hardware requirements for a VCS cluster.

**Table 2-1** Hardware requirements for a VCS cluster

Item	Description
VCS nodes	From 1 to 64 SPARC or x64 systems running Solaris 10 as appropriate.
DVD drive	One drive in a system that can communicate to all the nodes in the cluster.
Disks	Typical VCS configurations require that shared disks support the applications that migrate between systems in the cluster.  The VCS I/O fencing feature requires that all data and coordinator disks support SCSI-3 Persistent Reservations (PR).  See <a href="#">“About planning to configure I/O fencing”</a> on page 81.
Disks	Typical VCS configurations require that shared disks support the applications that migrate between systems in the cluster.  The VCS I/O fencing feature requires that all data and coordinator disks support SCSI-3 Persistent Reservations (PR).
Disk space	See <a href="#">“Disk space requirements”</a> on page 34.  <b>Note:</b> VCS may require more temporary disk space during installation than the specified disk space.
Ethernet controllers	In addition to the built-in public Ethernet controller, VCS requires at least one more Ethernet interface per system. Symantec recommends two additional network interfaces for private interconnects.  You can also configure aggregated interfaces.  Symantec recommends that you turn off the spanning tree algorithm on the switches used to connect private network interfaces..
Fibre Channel or SCSI host bus adapters	Typical VCS configuration requires at least one SCSI or Fibre Channel Host Bus Adapter per system for shared data disks.
RAM	Each VCS node requires at least 1024 megabytes.

## Disk space requirements

Before installing your products, confirm that your system has enough free disk space.

Use the "Perform a Preinstallation Check" (P) menu for the Web-based installer or the `-precheck` option of the script-based installer to determine whether there is sufficient space.

```
# ./installer -precheck
```

If you have downloaded VCS, you must use the following command:

```
# ./installvcs -precheck
```

## Supported operating systems

For information on supported operating systems, see the *Veritas Cluster Server Release Notes*.

## I/O fencing requirements

Depending on whether you plan to configure disk-based fencing or server-based fencing, make sure that you meet the requirements for coordination points:

- Coordinator disks  
See ["Coordinator disk requirements for I/O fencing"](#) on page 34.
- CP servers  
See ["CP server requirements"](#) on page 35.

To configure disk-based fencing or to configure server-based fencing with at least one coordinator disk, make sure a version of Veritas Volume Manager (VxVM) that supports SCSI-3 persistent reservations (SCSI-3 PR) is installed on the VCS cluster.

See the *Veritas Storage Foundation and High Availability Installation Guide*.

If you have installed VCS in a virtual environment that is not SCSI-3 PR compliant, review the requirements to configure non-SCSI-3 server-based fencing.

See ["Non-SCSI-3 I/O fencing requirements"](#) on page 38.

## Coordinator disk requirements for I/O fencing

Make sure that the I/O fencing coordinator disks meet the following requirements:

- For disk-based I/O fencing, you must have three coordinator disks.

- The coordinator disks can be raw devices, DMP devices, or iSCSI devices.
- Each of the coordinator disks must use a physically separate disk or LUN. Symantec recommends using the smallest possible LUNs for coordinator disks.
- Each of the coordinator disks should exist on a different disk array, if possible.
- The coordinator disks must support SCSI-3 persistent reservations.
- Symantec recommends using hardware-based mirroring for coordinator disks.
- Coordinator disks must not be used to store data or must not be included in disk groups that store user data.
- Coordinator disks cannot be the special devices that array vendors use. For example, you cannot use EMC gatekeeper devices as coordinator disks.

## CP server requirements

VCS 6.0 clusters (application clusters) support coordination point servers (CP servers) which are hosted on the following VCS and SFHA versions:

- VCS 6.0, 5.1SP1, or 5.1 single-node cluster  
Single-node VCS clusters with VCS 5.1 SP1 RP1 and later or VCS 6.0 and later that hosts CP server does not require LLT and GAB to be configured.
- SFHA 6.0, 5.1SP1, or 5.1 cluster

---

**Warning:** Before you upgrade 5.1 CP server nodes to use VCS or SFHA 6.0, you must upgrade all the application clusters that use this CP server to version 6.0. Application clusters at version 5.1 cannot communicate with CP server that runs VCS or SFHA 5.1 SP1 or later.

---

Make sure that you meet the basic hardware requirements for the VCS/SFHA cluster to host the CP server.

See the *Veritas Storage Foundation High Availability Installation Guide*.

See [“Hardware requirements for VCS”](#) on page 33.

---

**Note:** While Symantec recommends at least three coordination points for fencing, a single CP server as coordination point is a supported server-based fencing configuration. Such single CP server fencing configuration requires that the coordination point be a highly available CP server that is hosted on an SFHA cluster.

---

Make sure you meet the following additional CP server requirements which are covered in this section before you install and configure CP server:

- Hardware requirements
- Operating system requirements
- Networking requirements (and recommendations)
- Security requirements

[Table 2-2](#) lists additional requirements for hosting the CP server.

**Table 2-2** CP server hardware requirements

Hardware required	Description
Disk space	<p>To host the CP server on a VCS cluster or SFHA cluster, each host requires the following file system space:</p> <ul style="list-style-type: none"> <li>■ 550 MB in the /opt directory (additionally, the language pack requires another 15 MB)</li> <li>■ 300 MB in /usr</li> <li>■ 20 MB in /var</li> <li>■ 10 MB in /etc (for the CP server database)</li> </ul>
Storage	When CP server is hosted on an SFHA cluster, there must be shared storage between the CP servers.
RAM	Each CP server requires at least 512 MB.
Network	Network hardware capable of providing TCP/IP connection between CP servers and VCS clusters (application clusters).

[Table 2-3](#) displays the CP server supported operating systems and versions. An application cluster can use a CP server that runs any of the following supported operating systems.

**Table 2-3** CP server supported operating systems and versions

CP server	Operating system and version
<p>CP server hosted on a VCS single-node cluster or on an SFHA cluster</p>	<p>CP server supports any of the following operating systems:</p> <ul style="list-style-type: none"> <li>■ AIX 6.1 and 7.1</li> <li>■ HP-UX 11i v3</li> <li>■ Linux:               <ul style="list-style-type: none"> <li>■ RHEL 5</li> <li>■ RHEL 6</li> <li>■ SLES 10</li> <li>■ SLES 11</li> </ul> </li> <li>■ Solaris 10</li> </ul> <p>Review other details such as supported operating system levels and architecture for the supported operating systems.</p> <p>See the <i>Veritas Cluster Server Release Notes</i> or the <i>Veritas Storage Foundation High Availability Release Notes</i> for that platform.</p>

Following are the CP server networking requirements and recommendations:

- Symantec recommends that network access from the application clusters to the CP servers should be made highly-available and redundant. The network connections require either a secure LAN or VPN.
- The CP server uses the TCP/IP protocol to connect to and communicate with the application clusters by these network paths. The CP server listens for messages from the application clusters using TCP port 14250. This is the default port that can be changed during a CP server configuration. Symantec recommends that you configure multiple network paths to access a CP server. If a network path fails, CP server does not require a restart and continues to listen on one of the other available virtual IP addresses.
- The CP server supports either Internet Protocol version 4 or version 6 (IPv4 or IPv6 addresses) when communicating with the application clusters. If the CP server is configured to use an IPv6 virtual IP address, then the application clusters should also be on the IPv6 network where the CP server is being hosted.
- When placing the CP servers within a specific network configuration, you must take into consideration the number of hops from the different application cluster nodes to the CP servers. As a best practice, Symantec recommends that the number of hops and network latency from the different application cluster nodes to the CP servers should be equal. This ensures that if an event occurs that results in an I/O fencing scenario, there is no bias in the race due to the number of hops between the nodes.

For secure communication between the VCS cluster (application cluster) and the CP server, review the following support matrix:

	CP server in secure mode	CP server in non-secure mode
VCS cluster in secure mode	Yes	Yes
VCS cluster in non-secure mode	Yes	Yes
CP server cluster in secure mode	Yes	No
CP server cluster in non-secure mode	No	Yes

For secure communications between the VCS cluster and CP server, consider the following requirements and suggestions:

- In a secure communication environment, all CP servers that are used by the application cluster must be configured with security enabled. A configuration where the application cluster uses some CP servers running with security enabled and other CP servers running with security disabled is not supported.
- For non-secure communication between CP server and application clusters, there is no need to configure Symantec Product Authentication Service. In non-secure mode, authorization is still provided by CP server for the application cluster users. The authorization that is performed only ensures that authorized users can perform appropriate actions as per their user privileges on the CP server.

For information about establishing secure communications between the application cluster and CP server, see the *Veritas Cluster Server Administrator's Guide*.

## Non-SCSI-3 I/O fencing requirements

Supported virtual environment for non-SCSI-3 fencing:

- Solaris 10 Update 7 and later  
Oracle VM Server for SPARC 2.0 and 2.1  
Guest operating system: Solaris 10

Make sure that you also meet the following requirements to configure non-SCSI-3 fencing in the virtual environments that do not support SCSI-3 PR:

- VCS must be configured with Cluster attribute UseFence set to SCSI3
- All coordination points must be CP servers

## Number of nodes supported

VCS supports cluster configurations with up to 64 nodes.

## Discovering product versions and various requirement information

Symantec provides several methods to check the Veritas product you have installed, plus various requirement information.

You can check the existing product versions using the `installer` command with the `-version` option before or after you install. After you have installed the current version of the product, you can use the `showversion` script in the `/opt/VRTS/install` directory to find version information.

Information the `version` option or the `showversion` script discovers on systems includes the following:

- The installed version of all released Storage Foundation and High Availability Suite of products
- The required packages or patches (if applicable) that are missing
- The available updates (including patches or hotfixes) from Symantec Operations Readiness Tools (SORT) for the installed products

### To run the version checker

- 1 Mount the media.
- 2 Start the installer with the `-version` option.

```
# ./installer -version system1 system2
```

# Planning to install VCS

This chapter includes the following topics:

- [VCS installation methods](#)
- [Typical VCS cluster setup models](#)

## VCS installation methods

[Table 3-1](#) lists the different methods you can choose to install and configure VCS:

**Table 3-1** VCS installation methods

Method	Description
Interactive installation using the script-based installer	<p>You can use one of the following script-based installers:</p> <ul style="list-style-type: none"><li>■ Veritas product installer Use to install and configure multiple Veritas products.</li><li>■ <code>installvcs</code> program Use to install and configure just VCS.</li></ul> <p>The script-based installer asks you a series of questions and installs and configures VCS based on the information you provide.</p>
Interactive installation using the web-based installer	<p>You can use a web-interface to install and configure VCS.</p>

**Table 3-1** VCS installation methods (*continued*)

Method	Description
Automated installation using the VCS response files	Use response files to perform unattended installations. You can generate a response file in one of the following ways: <ul style="list-style-type: none"> <li>■ Use the automatically generated response file after a successful installation.</li> <li>■ Use the <code>-makeresponsefile</code> option to create a response file.</li> </ul>
Manual installation using the Solaris commands and utilities	You can install VCS using the operating system <code>pkgadd</code> command and then manually configure VCS as described in the section on Manual installation.  You can also install VCS using the JumpStart utility.

## About the VCS installation program

You can access the `installvcs` program from the command line or through the Veritas product installer.

The VCS installation program is interactive and manages the following tasks:

- Licensing VCS
- Installing VCS packages on multiple cluster systems
- Configuring VCS, by creating several detailed configuration files on each system
- Starting VCS processes

You can choose to configure different optional features, such as the following:

- SNMP and SMTP notification
- VCS configuration in secure mode
- The wide area Global Cluster feature
- Cluster Virtual IP address

Review the highlights of the information for which `installvcs` program prompts you as you proceed to configure.

See [“About preparing to install VCS”](#) on page 54.

The `uninstallvcs` program, a companion to `installvcs` program, uninstalls VCS packages.

See [“Preparing to uninstall VCS”](#) on page 319.

## Features of the script-based installer

The script-based installer supports installing, configuring, upgrading, and uninstalling VCS. In addition, the script-based installer also provides command options to perform the following tasks:

- Check the systems for VCS installation requirements.  
See [“Performing automated preinstallation check”](#) on page 67.
- Upgrade VCS if a previous version of VCS currently runs on a cluster.  
See [“Upgrading VCS using the script-based installer”](#) on page 233.
- Start or stop VCS processes  
See [“Starting and stopping processes for the Veritas products”](#) on page 455.
- Enable or disable a cluster to run in secure mode  
See the *Veritas Cluster Server Administrator’s Guide*.
- Configure I/O fencing for the clusters to prevent data corruption  
See [“Setting up disk-based I/O fencing using installvcs program”](#) on page 127.  
See [“Setting up server-based I/O fencing using installvcs program”](#) on page 134.  
See [“Setting up non-SCSI-3 server-based I/O fencing in virtual environments using installvcs program”](#) on page 135.
- Create a single-node cluster  
See [“Creating a single-node cluster using the installer program”](#) on page 428.
- Add a node to an existing cluster  
See [“Adding nodes using the VCS installer”](#) on page 342.
- Create a jumpstart finish script to install VCS using the JumpStart utility.  
See [“Installing using JumpStart”](#) on page 188.
- Perform automated installations using the values that are stored in a configuration file.  
See [“Installing VCS using response files”](#) on page 155.  
See [“Configuring VCS using response files”](#) on page 160.  
See [“Upgrading VCS using response files”](#) on page 258.

## Interacting with the installvcs program

As you run the program, you are prompted to answer yes or no questions. A set of responses that resemble **[y, n, q, ?]** (**y**) typically follow these questions. The response within parentheses is the default, which you can select by pressing the Enter key. Enter the **?** character to get help to answer the prompt. Enter **q** to quit the installation.

Installation of VCS packages takes place only after you have confirmed the information. However, you must remove the partially installed VCS files before you run the `installvcs` program again.

See [“Preparing to uninstall VCS”](#) on page 319.

During the installation, the installer prompts you to type information. The installer expects your responses to be within a certain range or in a specific format. The installer provides examples. If you are prompted to enter an item from a list, enter your selection exactly as it is shown in the list.

The installer also prompts you to answer a series of questions that are related to a configuration activity. For such questions, you can enter the **b** character to return to the first prompt in the series. When the installer displays a set of information items you have entered, you are prompted to confirm it. If you answer **n**, the program lets you reenter all of the information for the set.

You can install the VCS Java Console on a single system, which is not required to be part of the cluster. Note that the `installvcs` program does not install the VCS Java Console.

See [“Installing the Java Console”](#) on page 300.

## About the Web-based installer

Use the Web-based installer interface to install Veritas products. The Web-based installer can perform most of the tasks that the script-based installer performs.

You use the `webinstaller` script to start and stop the Veritas XPortal Server `xprtlwid` process. The `webinstaller` script can also be used to check the status of the XPortal Server.

When the `webinstaller` script starts the `xprtlwid` process, the script displays a URL. Use this URL to access the Web-based installer from a Web browser such as Internet Explorer or FireFox.

The Web installer creates log files whenever the Web installer is operating. While the installation processes are operating, the log files are located in a session-based directory under the `/var/tmp` directory. After the install process completes, the log files are located in the `/opt/VRTS/install/logs` directory. It is recommended that you keep these files for auditing, debugging, and future use.

The location of the Veritas XPortal Server configuration file is `/var/opt/webinstaller/xprtlwid.conf`.

See [“Before using the Veritas Web-based installer”](#) on page 140.

See [“Starting the Veritas Web-based installer”](#) on page 141.

## About response files

The installer generates a "response file" after performing an installer task such as installation, configuration, uninstallation, or upgrade. These response files contain the details that you provided to the installer questions in the form of values for the response file variables. The response file also contains descriptions and explanations of the variables and their values.

You can also create a response file using the `-makeresponsefile` option of the installer.

The installer displays the location of the response file at the end of each successful installer task. The installer saves the response file in the default location for the install-related log files: `/opt/VRTS/install/logs`. If you provided a different log path using the `-logpath` option, the installer saves the response file in the path that you specified.

The format of the response file name is:

`/opt/VRTS/install/logs/installscript-YYYYMMDDHHSSxxx`  
`/installscript-YYYYMMDDHHSSxxx.response`, where:

- `installscript` may be, for example: `installer`, `webinstaller`, `installvcs` program, or `uninstallvcs` program
- `YYYYMMDDHHSS` is the current date when the `installscript` is run and `xxx` are three random letters that the script generates for an installation instance

For example:

`/opt/VRTS/install/logs/installer-200910101010ldS/installer-200910101010ldS.response`

You can customize the response file as required to perform unattended installations using the `-responsefile` option of the installer. This method of automated installations is useful in the following cases:

- To perform multiple installations to set up a large VCS cluster.  
See ["Installing VCS using response files"](#) on page 155.
- To upgrade VCS on multiple systems in a large VCS cluster.  
See ["Upgrading VCS using response files"](#) on page 258.
- To uninstall VCS from multiple systems in a large VCS cluster.  
See ["Uninstalling VCS using response files"](#) on page 325.

## Syntax in the response file

The syntax of the Perl statements that are included in the response file variables varies. It can depend on whether the variables require scalar or list values.

For example, in the case of a string value:

```
$CFG{Scalar_variable}="value";
```

or, in the case of an integer value:

```
$CFG{Scalar_variable}=123;
```

or, in the case of a list:

```
$CFG{List_variable}=["value", "value", "value"];
```

## Typical VCS cluster setup models

VCS clusters support different failover configurations, storage configurations, and cluster topologies.

See the *Veritas Cluster Server Administrator's Guide* for more details.

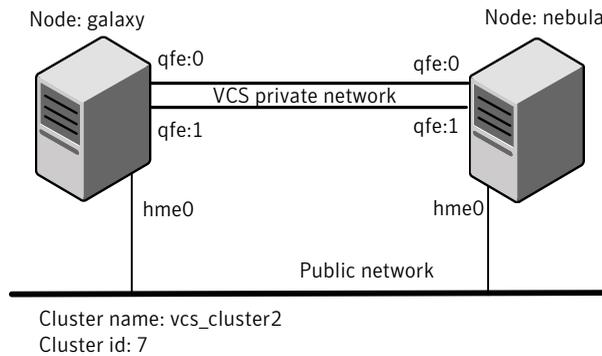
Some of the typical VCS setup models are as follows:

- Basic VCS cluster with two nodes  
 See [“Typical configuration of two-node VCS cluster”](#) on page 45.
- VCS clusters in secure mode  
 See [“Typical configuration of VCS clusters in secure mode”](#) on page 46.
- VCS clusters centrally managed using Veritas Operations Manager (VOM)  
 See [“Typical configuration of VOM-managed VCS clusters”](#) on page 47.
- VCS clusters with I/O fencing for data protection  
 See [“Typical VCS cluster configuration with disk-based I/O fencing”](#) on page 84.  
 See [“Typical VCS cluster configuration with server-based I/O fencing”](#) on page 85.
- VCS clusters such as global clusters, replicated data clusters, or campus clusters for disaster recovery  
 See the *Veritas Cluster Server Administrator's Guide* for disaster recovery cluster configuration models.

### Typical configuration of two-node VCS cluster

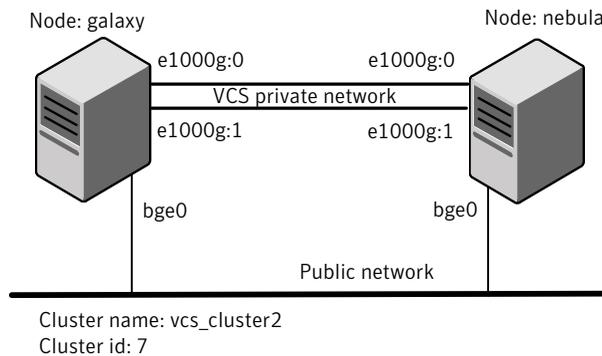
[Figure 3-1](#) illustrates a simple VCS cluster setup with two Solaris SPARC systems.

**Figure 3-1** Typical two-node VCS cluster (Solaris SPARC systems)



**Figure 3-2** illustrates a simple VCS cluster setup with two Solaris x64 systems.

**Figure 3-2** Typical two-node VCS cluster (Solaris x64 systems)

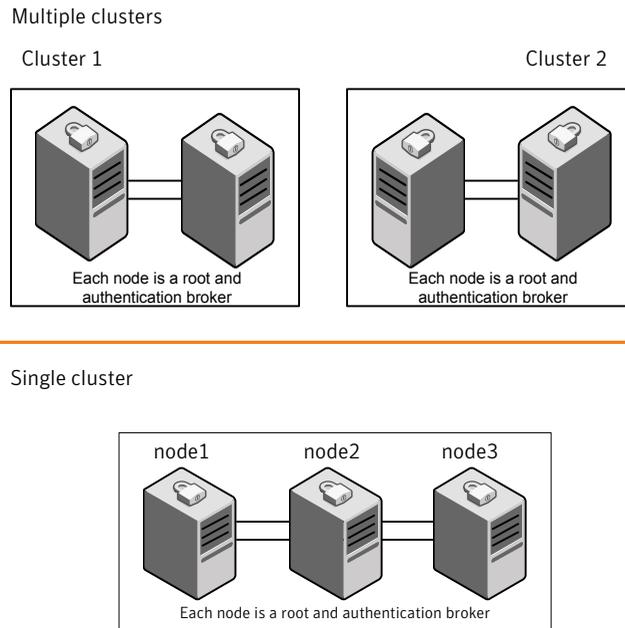


## Typical configuration of VCS clusters in secure mode

Enabling secure mode for VCS guarantees that all inter-system communication is encrypted and that security credentials of users are verified.

**Figure 3-3** illustrates typical configuration of VCS clusters in secure mode.

**Figure 3-3** Typical configuration of VCS clusters in secure mode



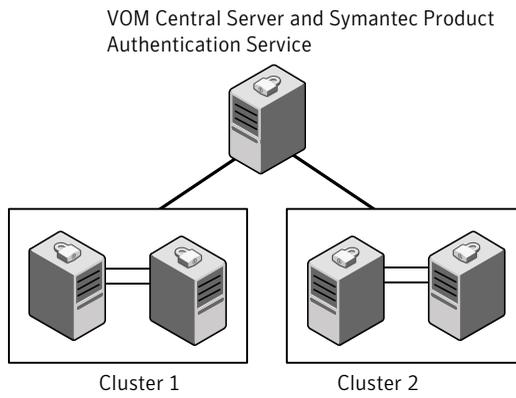
## Typical configuration of VOM-managed VCS clusters

Veritas Operations Manager (VOM) provides a centralized management console for Veritas Storage Foundation and High Availability products.

See [“About Veritas Operations Manager”](#) on page 26.

[Figure 3-4](#) illustrates a typical setup of VCS clusters that are centrally managed using Veritas Operations Manager.

**Figure 3-4** Typical configuration of VOM-managed clusters



# Licensing VCS

This chapter includes the following topics:

- [About Veritas SFHA Solutions product licensing](#)
- [Obtaining VCS license keys](#)
- [Installing Veritas SFHA Solutions product license keys](#)

## About Veritas SFHA Solutions product licensing

You have the option to install Veritas products without a license key. Installation without a license does not eliminate the need to obtain a license. A software license is a legal instrument governing the usage or redistribution of copyright protected software. The administrator and company representatives must ensure that a server or cluster is entitled to the license level for the products installed. Symantec reserves the right to ensure entitlement and compliance through auditing.

[www.symantec.com/techsupp/](http://www.symantec.com/techsupp/)

During the installation, you can choose to either:

- Install a license key for the product and features that you want to install.  
When you purchase a Symantec product, you receive a License Key certificate. The certificate specifies the product keys and the number of product licenses purchased.
- Continue to install without a license key.  
The installer prompts for the product modes and options that you want to install, and then sets the required product level.  
Within 60 days of choosing this option, you must install a valid license key corresponding to the license level entitled or continue with keyless licensing by managing the server or cluster with a management server, such as Veritas Operations Manager (VOM). If you do not comply with the above terms,

continuing to use the Symantec product is a violation of your end user license agreement, and results in warning messages.

For more information about keyless licensing, see the following URL:

<http://go.symantec.com/sfhakeyless>

If you encounter problems while licensing this product, visit the Symantec licensing support website.

If you upgrade to this release from a prior release of the Veritas software, the product installer does not change the license keys that are already installed. The existing license keys may not activate new features in this release.

If you upgrade with the product installer, or if you install or upgrade with a method other than the product installer, you must do one of the following to license the products:

See [About Veritas Storage Foundation and High Availability Solutions 6.0](#)

- Run the `vxkeyless` command to set the product level for the products you have purchased. This option also requires that you manage the server or cluster with a management server.

See [“Setting or changing the Veritas SFHA Solutions product level for keyless licensing”](#) on page 186.

See the `vxkeyless(1m)` manual page.

- Use the `vxlicinst` command to install a valid product license key for the products you have purchased.

See [“Installing Veritas SFHA Solutions product license keys”](#) on page 51.

See the `vxlicinst(1m)` manual page.

You can also use the above options to change the product levels to another level that you are authorized to use. For example, you can add the replication option to the installed product. You must ensure that you have the appropriate license for the product level and options in use.

---

**Note:** In order to change from one product group to another, you may need to perform additional steps.

---

## Obtaining VCS license keys

If you decide to not use the keyless licensing, you must obtain and install a license key for VCS.

See [“About Veritas SFHA Solutions product licensing”](#) on page 49.

This product includes a License Key certificate. The certificate specifies the product keys and the number of product licenses purchased. A single key lets you install the product on the number and type of systems for which you purchased the license. A key may enable the operation of more products than are specified on the certificate. However, you are legally limited to the number of product licenses purchased. The product installation procedure describes how to activate the key.

To register and receive a software license key, go to the Symantec Licensing Portal at the following location:

<https://licensing.symantec.com>

Make sure you have your Software Product License document. You need information in this document to retrieve and manage license keys for your Symantec product. After you receive the license key, you can install the product.

Click the Help link at this site to access the *License Portal User Guide* and FAQ.

The VRTSvlic package enables product licensing. For information about the commands that you can use after the installing VRTSvlic:

See “[Installing Veritas SFHA Solutions product license keys](#)” on page 51.

You can only install the Symantec software products for which you have purchased a license. The enclosed software discs might include other products for which you have not purchased a license.

## Installing Veritas SFHA Solutions product license keys

The VRTSvlic package enables product licensing. After the VRTSvlic is installed, the following commands and their manual pages are available on the system:

vxlicinst	Installs a license key for a Symantec product
vxlicrep	Displays currently installed licenses
vxlictest	Retrieves features and their descriptions encoded in a license key

Even though other products are included on the enclosed software discs, you can only use the Symantec software products for which you have purchased a license.

**To install a new license**

- ◆ Run the following commands. In a cluster environment, run the commands on each node in the cluster:

```
# cd /opt/VRTS/bin
```

```
# ./vxlicinst -k xxxx-xxxx-xxxx-xxxx-xxxx-xxx
```

# Preinstallation tasks

- [Chapter 5. Preparing to install VCS](#)

# Preparing to install VCS

This chapter includes the following topics:

- [About preparing to install VCS](#)
- [Performing preinstallation tasks](#)
- [Getting your VCS installation and configuration information ready](#)

## About preparing to install VCS

Before you perform the preinstallation tasks, make sure you reviewed the installation requirements, set up the basic hardware, and planned your VCS setup.

See [“Important preinstallation information for VCS”](#) on page 32.

## Performing preinstallation tasks

[Table 5-1](#) lists the tasks you must perform before proceeding to install VCS.

**Table 5-1** Preinstallation tasks

Task	Reference
Obtain license keys if you do not want to use keyless licensing.	See <a href="#">“Obtaining VCS license keys”</a> on page 50.
Set up the private network.	See <a href="#">“Setting up the private network”</a> on page 55.
Enable communication between systems.	See <a href="#">“Setting up inter-system communication”</a> on page 449.

**Table 5-1** Preinstallation tasks (*continued*)

Task	Reference
Set up ssh on cluster systems.	See <a href="#">“Setting up ssh on cluster systems”</a> on page 449.
Set up shared storage for I/O fencing (optional)	See <a href="#">“Setting up shared storage”</a> on page 59.
Set the PATH and the MANPATH variables.	See <a href="#">“Setting the PATH variable”</a> on page 63. See <a href="#">“Setting the MANPATH variable”</a> on page 63.
Disable the abort sequence on SPARC systems.	See <a href="#">“Disabling the abort sequence on SPARC systems”</a> on page 63.
Review basic instructions to optimize LLT media speeds.	See <a href="#">“Optimizing LLT media speed settings on private NICs”</a> on page 65.
Review guidelines to help you set the LLT interconnects.	See <a href="#">“Guidelines for setting the media speed of the LLT interconnects”</a> on page 65.
Install the patches that are required for Java Run Time environment from Oracle.	For instructions, see the Oracle documentation.
Prepare zone environments	See <a href="#">“Preparing zone environments”</a> on page 65.
Mount the product disc	See <a href="#">“Mounting the product disc”</a> on page 66.
Verify the systems before installation	See <a href="#">“Performing automated preinstallation check”</a> on page 67.

## Setting up the private network

VCS requires you to set up a private network between the systems that form a cluster. You can use either NICs or aggregated interfaces to set up private network.

You can use network switches instead of hubs. However, Oracle systems assign the same MAC address to all interfaces by default. Thus, connecting two or more interfaces to a network switch can cause problems.

For example, consider the following case where:

- The IP address is configured on one interface and LLT on another

- Both interfaces are connected to a switch (assume separate VLANs)

The duplicate MAC address on the two switch ports can cause the switch to incorrectly redirect IP traffic to the LLT interface and vice versa. To avoid this issue, configure the system to assign unique MAC addresses by setting the `eeeprom(1M)` parameter `local-mac-address` to `true`.

The following products make extensive use of the private cluster interconnects for distributed locking:

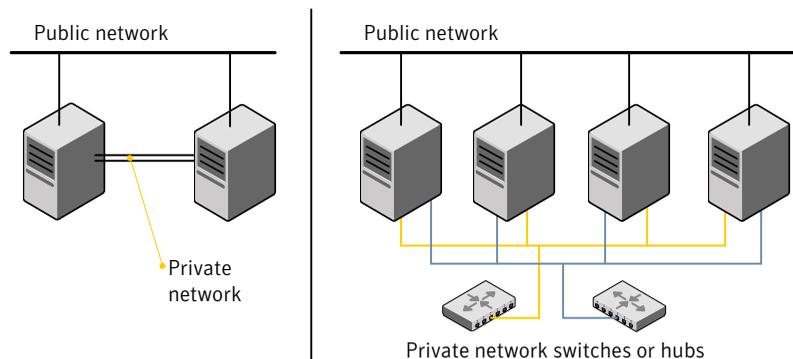
- Veritas Storage Foundation Cluster File System (SFCFS)
- Veritas Storage Foundation for Oracle RAC (SF Oracle RAC)

Symantec recommends network switches for the SFCFS and the SF Oracle RAC clusters due to their performance characteristics.

Refer to the *Veritas Cluster Server Administrator's Guide* to review VCS performance considerations.

Figure 5-1 shows two private networks for use with VCS.

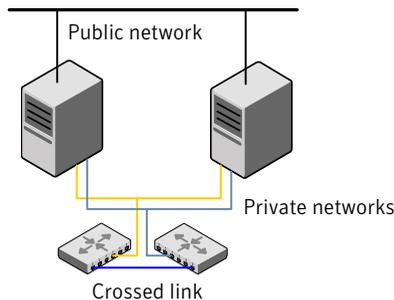
**Figure 5-1** Private network setups: two-node and four-node clusters



Symantec recommends configuring two independent networks between the cluster nodes with a network switch for each network. You can also interconnect multiple layer 2 switches for advanced failure protection. Such connections for LLT are called cross-links.

Figure 5-2 shows a private network configuration with crossed links between the network switches.

**Figure 5-2** Private network setup with crossed links



### To set up the private network

- 1 Install the required network interface cards (NICs).  
 Create aggregated interfaces if you want to use these to set up private network.
- 2 Connect the VCS private Ethernet controllers on each system.
- 3 Use crossover Ethernet cables, switches, or independent hubs for each VCS communication network. Note that the crossover Ethernet cables are supported only on two systems.

Ensure that you meet the following requirements:

- The power to the switches or hubs must come from separate sources.
- On each system, you must use two independent network cards to provide redundancy.
- If a network interface is part of an aggregated interface, you must not configure the network interface under LLT. However, you can configure the aggregated interface under LLT.
- When you configure Ethernet switches for LLT private interconnect, disable the spanning tree algorithm on the ports used for the interconnect.

During the process of setting up heartbeat connections, consider a case where a failure removes all communications between the systems.

Note that a chance for data corruption exists under the following conditions:

- The systems still run, and
- The systems can access the shared storage.

- 4 Configure the Ethernet devices that are used for the private network such that the autonegotiation protocol is not used. You can achieve a more stable configuration with crossover cables if the autonegotiation protocol is not used.

To achieve this stable configuration, do one of the following:

- Edit the `/etc/system` file to disable autonegotiation on all Ethernet devices system-wide.
- Create a `qfe.conf` or `bge.conf` file in the `/kernel/drv` directory to disable autonegotiation for the individual devices that are used for private network.

Refer to the Oracle Ethernet driver product documentation for information on these methods.

- 5 Test the network connections. Temporarily assign network addresses and use `telnet` or `ping` to verify communications.

LLT uses its own protocol, and does not use TCP/IP. So, you must ensure that the private network connections are used only for LLT communication and not for TCP/IP traffic. To verify this requirement, unplumb and unconfigure any temporary IP addresses that are configured on the network interfaces.

The installer configures the private network in the cluster during configuration.

You can also manually configure LLT.

See [“Configuring LLT manually”](#) on page 194.

## About using ssh or rsh with the Veritas installer

The installer uses passwordless secure shell (ssh) or remote shell (rsh) communications among systems. The installer uses the ssh or rsh daemon that comes bundled with the operating system. During an installation, you choose the communication method that you want to use. You then provide the installer with the superuser passwords for the systems where you plan to install. The ssh or rsh communication among the systems is removed when the installation process completes, unless the installation abruptly terminates. If installation terminated abruptly, use the installation script's `-comcleanup` option to remove the ssh or rsh configuration from the systems.

In most installation, configuration, upgrade (where necessary), and uninstallation scenarios, the installer can configure ssh or rsh on the target systems. In the following scenarios, you need to set up ssh or rsh manually:

- When you add new nodes to an existing cluster.
- When the nodes are in a subcluster during a phased upgrade.
- When you perform installer sessions using a response file.

See [“Setting up inter-system communication”](#) on page 449.

See [“Setting up inter-system communication”](#) on page 449.

## Setting up shared storage

The following sections describe how to set up the SCSI and the Fibre Channel devices that the cluster systems share.

For I/O fencing, the data disks must support SCSI-3 persistent reservations. You need to configure a coordinator disk group that supports SCSI-3 PR and verify that it works.

See [“About planning to configure I/O fencing”](#) on page 81.

See also the *Veritas Cluster Server Administrator's Guide* for a description of I/O fencing.

### Setting up shared storage: SCSI disks

When SCSI devices are used for shared storage, the SCSI address or SCSI initiator ID of each node must be unique. Since each node typically has the default SCSI address of "7," the addresses of one or more nodes must be changed to avoid a conflict. In the following example, two nodes share SCSI devices. The SCSI address of one node is changed to "5" by using `nvedit` commands to edit the `nvrामrc` script.

If you have more than two systems that share the SCSI bus, do the following:

- Use the same procedure to set up shared storage.
- Make sure to meet the following requirements:
  - The storage devices have power before any of the systems
  - Only one node runs at one time until each node's address is set to a unique value

#### To set up shared storage

- 1 Install the required SCSI host adapters on each node that connects to the storage, and make cable connections to the storage.

Refer to the documentation that is shipped with the host adapters, the storage, and the systems.

- 2 With both nodes powered off, power on the storage devices.
- 3 Power on one system, but do not allow it to boot. If necessary, halt the system so that you can use the ok prompt.

Note that only one system must run at a time to avoid address conflicts.

#### 4 Find the paths to the host adapters:

```
{0} ok show-disks  
...b) /sbus@6,0/QLGC,isp@2,10000/sd
```

The example output shows the path to one host adapter. You must include the path information without the "/sd" directory, in the `nvrामrc` script. The path information varies from system to system.

#### 5 Edit the `nvrामrc` script on to change the `scsi-initiator-id` to 5. (The *Solaris OpenBoot 3.x Command Reference Manual* contains a full list of `nvedit` commands and keystrokes.) For example:

```
{0} ok nvedit
```

As you edit the script, note the following points:

- Each line is numbered, 0:, 1:, 2:, and so on, as you enter the `nvedit` commands.
- On the line where the `scsi-initiator-id` is set, insert exactly one space after the first quotation mark and before `scsi-initiator-id`.

In this example, edit the `nvrामrc` script as follows:

```
0: probe-all  
1: cd /sbus@6,0/QLGC,isp@2,10000  
2: 5 " scsi-initiator-id" integer-property  
3: device-end  
4: install-console  
5: banner  
6: <CTRL-C>
```

- 6 Store the changes you make to the `nvrामrc` script. The changes you make are temporary until you store them.

```
{0} ok nvstore
```

If you are not sure of the changes you made, you can re-edit the script without risk before you store it. You can display the contents of the `nvrामrc` script by entering:

```
{0} ok printenv nvrामrc
```

You can re-edit the file to make corrections:

```
{0} ok nvedit
```

Or, discard the changes if necessary by entering:

```
{0} ok nvquit
```

- 7 Instruct the OpenBoot PROM Monitor to use the `nvrामrc` script on the node.

```
{0} ok setenv use-nvrामrc? true
```

- 8 Reboot the node. If necessary, halt the system so that you can use the `ok` prompt.

- 9 Verify that the `scsi-initiator-id` has changed. Go to the `ok` prompt. Use the output of the `show-disks` command to find the paths for the host adapters. Then, display the properties for the paths. For example:

```
{0} ok show-disks
...b) /sbus@6,0/QLGC,isp@2,10000/sd
{0} ok cd /sbus@6,0/QLGC,isp@2,10000
{0} ok .properties
scsi-initiator-id      00000005
```

Permit the system to continue booting.

- 10 Boot the second node. If necessary, halt the system to use the `ok` prompt. Verify that the `scsi-initiator-id` is 7. Use the output of the `show-disks` command to find the paths for the host adapters. Then, display the properties for that paths. For example:

```
{0} ok show-disks
...b) /sbus@6,0/QLGC,isp@2,10000/sd
{0} ok cd /sbus@6,0/QLGC,isp@2,10000
{0} ok .properties
scsi-initiator-id      00000007
```

Permit the system to continue booting.

## Setting up shared storage: Fibre Channel

Perform the following steps to set up Fibre Channel.

### To set up shared storage

- 1 Install the required FC-AL controllers.
- 2 Connect the FC-AL controllers and the shared storage devices to the same hub or switch.

All systems must see all the shared devices that are required to run the critical application. If you want to implement zoning for a fibre switch, make sure that no zoning prevents all systems from seeing all these shared devices.

- 3 Boot each system with the reconfigure devices option:

```
ok boot -r
```

- 4 After all systems have booted, use the `format (1m)` command to verify that each system can see all shared devices.

If Volume Manager is used, the same number of external disk devices must appear, but device names (`c##d##s#`) may differ.

If Volume Manager is not used, then you must meet the following requirements:

- The same number of external disk devices must appear.
- The device names must be identical for all devices on all systems.

## Setting the PATH variable

Installation commands as well as other commands reside in the `/opt/VRTS/bin` directory. Add this directory to your PATH environment variable.

If you have any custom scripts located in `/opt/VRTSvcs/bin` directory, make sure to add the `/opt/VRTSvcs/bin` directory to your PATH environment variable.

### To set the PATH variable

- ◆ Do one of the following:
  - For the Bourne Shell (sh), Bourne-again Shell (bash), or Korn shell (ksh), type:

```
$ PATH=/opt/VRTS/bin:$PATH; export PATH
```

- For the C Shell (csh) or enhanced C Shell (tcsh), type:

```
$ setenv PATH :/opt/VRTS/bin:$PATH
```

## Setting the MANPATH variable

Set the MANPATH variable to view the manual pages.

### To set the MANPATH variable

- ◆ Do one of the following:
  - For the Bourne Shell (sh), Bourne-again Shell (bash), or Korn shell (ksh), type:

```
$ MANPATH=/opt/VRTS/man:$MANPATH; export MANPATH
```

- For the C Shell (csh) or enhanced C Shell (tcsh), type:

```
% setenv MANPATH /usr/share/man:/opt/VRTS/man
```

## Disabling the abort sequence on SPARC systems

Most UNIX operating systems provide a method to perform a "break" or "console abort." The inherent problem when you abort a hung system is that it ceases to

heartbeat in the cluster. When other cluster members believe that the aborted node is a failed node, these cluster members may begin corrective action.

Keep the following points in mind:

- The only action that you must perform following a system abort is to reset the system to achieve the following:
  - Preserve data integrity
  - Prevent the cluster from taking additional corrective actions
- Do not resume the processor as cluster membership may have changed and failover actions may already be in progress.
- To remove this potential problem on SPARC systems, you should alias the `go` function in the OpenBoot eeprom to display a message.

**To alias the `go` function to display a message**

- 1 At the `ok` prompt, enter:

```
nvedit
```

- 2 Press `Ctrl+L` to display the current contents of the `nvrarc` buffer.
- 3 Press `Ctrl+N` until the editor displays the last line of the buffer.
- 4 Add the following lines exactly as shown. Press `Enter` after adding each line.

```
." Aliasing the OpenBoot 'go' command! "  
: go ." It is inadvisable to use the 'go' command in a clustered  
environment. " cr  
." Please use the 'power-off' or 'reset-all' commands instead. "  
cr  
." Thank you, from your friendly neighborhood sysadmin. " ;
```

- 5 Press `Ctrl+C` to exit the `nvrarc` editor.
- 6 To verify that no errors exist, type the `nvrunc` command. You should see only the following text:

```
Aliasing the OpenBoot 'go' command!
```

- 7 Type the `nvstore` command to commit your changes to the non-volatile RAM (NVRAM) for use in subsequent reboots.
- 8 After you perform these commands, at reboot you see this output:

```
Aliasing the OpenBoot 'go' command! go isn't unique.
```

## Optimizing LLT media speed settings on private NICs

For optimal LLT communication among the cluster nodes, the interface cards on each node must use the same media speed settings. Also, the settings for the switches or the hubs that are used for the LLT interconnections must match that of the interface cards. Incorrect settings can cause poor network performance or even network failure.

If you use different media speed for the private NICs, Symantec recommends that you configure the NICs with lesser speed as low-priority links to enhance LLT performance.

## Guidelines for setting the media speed of the LLT interconnects

Review the following guidelines for setting the media speed of the LLT interconnects:

- Symantec recommends that you manually set the same media speed setting on each Ethernet card on each node.  
If you use different media speed for the private NICs, Symantec recommends that you configure the NICs with lesser speed as low-priority links to enhance LLT performance.
- If you have hubs or switches for LLT interconnects, then set the hub or switch port to the same setting as used on the cards on each node.
- If you use directly connected Ethernet links (using crossover cables), Symantec recommends that you set the media speed to the highest value common to both cards, typically `1000_Full_Duplex`.

Details for setting the media speeds for specific devices are outside of the scope of this manual. Consult the device's documentation for more information.

## Preparing zone environments

You need to keep the following items in mind when you install or upgrade VCS in a zone environment.

- When you install or upgrade VCS using the `installer` program, all zones are upgraded (both global and non-global) unless they are detached and unmounted.
- Make sure that all non-global zones are booted and in the running state before you install or upgrade the VCS packages in the global zone. If the non-global zones are not mounted and running at the time of upgrade, you must upgrade each package in each non-global zone manually.
- If you install VCS on Solaris 10 systems that run non-global zones, you need to make sure that non-global zones do not inherit the `/opt` directory. Run the

following command to make sure that the /opt directory is not in the inherit-pkg-dir clause:

```
# zonecfg -z zone_name info
zonepath: /export/home/zone1
autoboot: false
pool: yourpool
inherit-pkg-dir:
dir: /lib
inherit-pkg-dir:
dir: /platform
inherit-pkg-dir:
dir: /sbin
inherit-pkg-dir:
dir: /usr
```

If the /opt directory appears in the output, remove the /opt directory from the zone's configuration and reinstall the zone.

## Mounting the product disc

### Mounting the product disc

You must have superuser (root) privileges to load the VCS software.

#### To mount the product disc

- 1 Log in as superuser on a system where you want to install VCS.  
The system from which you install VCS need not be part of the cluster. The systems must be in the same subnet.
- 2 Insert the product disc into a DVD drive that is connected to your system.
- 3 If Solaris volume management software is running on your system, the software disc automatically mounts as /cdrom/cdrom0.
- 4 If Solaris volume management software is not available to mount the DVD, you must mount it manually. After you insert the software disc, enter:

```
# mount -F hsfs -o ro /dev/dsk/c0t6d0s2 /cdrom
```

Where c0t6d0s2 is the default address for the disc drive.

## Performing automated preinstallation check

Before you begin the installation of VCS software, you can check the readiness of the systems where you plan to install VCS. The command to start the preinstallation check is:

```
installvcs -precheck system1 system2 ...
```

You can also run the `installer -precheck` command.

See [“Symantec Operations Readiness Tools”](#) on page 28.

You can use the Veritas Operation Services to assess your setup for VCS installation.

### To check the systems

- 1 Navigate to the folder that contains the `installvcs` program.

```
# cd /cdrom/cdrom0/cluster_server
```

- 2 Start the preinstallation check:

```
# ./installvcs -precheck galaxy nebula
```

The program proceeds in a noninteractive mode to examine the systems for licenses, packages, disk space, and system-to-system communications.

- 3 Review the output as the program displays the results of the check and saves the results of the check in a log file.

See [“Command options for installvcs program”](#) on page 376.

## Reformatting VCS configuration files on a stopped cluster

When you manually edit VCS configuration files (for example, the `main.cf` or `types.cf` file) you can potentially create formatting issues that may cause the installer to interpret the cluster configuration information incorrectly.

If you have manually edited any of the configuration files, you need to perform one of the following before you run the installation program:

- On a running cluster, perform an `haconf -dump` command. This command saves the configuration files and ensures that they do not have formatting errors before you run the installer.
- On cluster that is not running, perform the `haconf -cftocmd` and then the `haconf -cmdtocc` commands to format the configuration files.

---

**Note:** Remember to make back up copies of the configuration files before you edit them.

---

You also need to use this procedure if you have manually changed the configuration files before you perform the following actions using the installer:

- Upgrade VCS
- Uninstall VCS

For more information about the main.cf and types.cf files, refer to the *Veritas Cluster Server Administrator's Guide*.

**To display the configuration files in the correct format on a running cluster**

- ◆ Run the following commands to display the configuration files in the correct format:

```
# haconf -dump
```

**To display the configuration files in the correct format on a stopped cluster**

- ◆ Run the following commands to display the configuration files in the correct format:

```
# hacf -cftocmd config
```

```
# hacf -cmdtocf config
```

## Getting your VCS installation and configuration information ready

The VCS installer prompts you for some information during the installation and configuration process. Review the following information and make sure you have made the necessary decisions and you have the required information ready before you perform the installation and configuration.

[Table 5-2](#) lists the information you need to install the VCS packages.

**Table 5-2** Information to install the VCS packages

Information	Description and sample value	Your value
System names	The system names where you plan to install VCS Example: <b>galaxy, nebula</b>	

**Table 5-2** Information to install the VCS packages (*continued*)

Information	Description and sample value	Your value
The required license keys	<p>If you decide to use keyless licensing, you do not need to obtain license keys. However, you require to set up management server within 60 days to manage the cluster.</p> <p>See <a href="#">“About Veritas SFHA Solutions product licensing”</a> on page 49.</p> <p>Depending on the type of installation, keys can include:</p> <ul style="list-style-type: none"> <li>■ A valid site license key</li> <li>■ A valid demo license key</li> <li>■ A valid license key for VCS global clusters</li> </ul> <p>See <a href="#">“Obtaining VCS license keys”</a> on page 50.</p>	
Decide which packages to install	<ul style="list-style-type: none"> <li>■ Minimum packages—provides basic VCS functionality.</li> <li>■ Recommended packages—provides full functionality of VCS without advanced features.</li> <li>■ All packages—provides advanced feature functionality of VCS.</li> </ul> <p>The default option is to install the recommended packages.</p> <p>See <a href="#">“Viewing the list of VCS packages”</a> on page 182.</p>	

[Table 5-3](#) lists the information you need to configure VCS cluster name and ID.

**Table 5-3** Information you need to configure VCS cluster name and ID

Information	Description and sample value	Your value
A name for the cluster	<p>The cluster name must begin with a letter of the alphabet. The cluster name can contain only the characters "a" through "z", "A" through "Z", the numbers "0" through "9", the hyphen "-", and the underscore "_".</p> <p>Example: <b>my_cluster</b></p>	
A unique ID number for the cluster	<p>A number in the range of 0-65535. If multiple distinct and separate clusters share the same network, then each cluster must have a unique cluster ID.</p> <p>Example: <b>12133</b></p>	

[Table 5-4](#) lists the information you need to configure VCS private heartbeat links.

**Table 5-4** Information you need to configure VCS private heartbeat links

Information	Description and sample value	Your value
Decide how you want to configure LLT	<p>You can configure LLT over Ethernet or LLT over UDP.</p> <p>Symantec recommends that you configure heartbeat links that use LLT over Ethernet, unless hardware requirements force you to use LLT over UDP. If you want to configure LLT over UDP, make sure you meet the prerequisites.</p> <p>See <a href="#">"Using the UDP layer for LLT"</a> on page 431.</p>	
Decide which configuration mode you want to choose	<p>Installer provides you with three options:</p> <ul style="list-style-type: none"> <li>■ 1. Configure heartbeat links using LLT over Ethernet</li> <li>■ 2. Configure heartbeat links using LLT over UDP</li> <li>■ 3. Automatically detect configuration for LLT over Ethernet</li> </ul> <p>You must manually enter details for options 1 and 2, whereas the installer detects the details for option 3.</p>	
For option 1: LLT over Ethernet	<ul style="list-style-type: none"> <li>■ The device names of the NICs that the private networks use among systems A network interface card or an aggregated interface. Do not use the network interface card that is used for the public network, which is typically hme0 for SPARC and for x64. For example on a SPARC system: <code>qfe0</code>, <code>qfe1</code> For example on an x64 system: <code>e1000g1</code>, <code>e1000g2</code></li> <li>■ Choose whether to use the same NICs on all systems. If you want to use different NICs, enter the details for each system.</li> </ul>	
For option 2: LLT over UDP	<p>For each system, you must have the following details:</p> <ul style="list-style-type: none"> <li>■ The device names of the NICs that the private networks use among systems</li> <li>■ IP address for each NIC</li> <li>■ UDP port details for each NIC</li> </ul>	

[Table 5-5](#) lists the information you need to configure virtual IP address of the cluster (optional).

**Table 5-5** Information you need to configure virtual IP address

Information	Description and sample value	Your value
The name of the public NIC for each node in the cluster	The device name for the NIC that provides public network access. A network interface card or an aggregated interface. Example: hme0	
A virtual IP address of the NIC	You can enter either an IPv4 or an IPv6 address. This virtual IP address becomes a resource for use by the ClusterService group. The "Cluster Virtual IP address" can fail over to another cluster system. Example IPv4 address: 192.168.1.16 Example IPv6 address: 2001:454e:205a:110:203:baff:fee:10	
The netmask for the virtual IPv4 address	The subnet that you use with the virtual IPv4 address. Example: 255.255.240.0	
The prefix for the virtual IPv6 address	The prefix length for the virtual IPv6 address. Example: 64	

[Table 5-6](#) lists the information you need to add VCS users.

**Table 5-6** Information you need to add VCS users

Information	Description and sample value	Your value
User names	VCS usernames are restricted to 1024 characters. Example: <b>smith</b>	
User passwords	VCS passwords are restricted to 255 characters. Enter the password at the prompt. <b>Note:</b> VCS leverages native authentication in secure mode. Therefore, user passwords are not needed in secure mode.	
To decide user privileges	Users have three levels of privileges: Administrator, Operator, or Guest. Example: Administrator	

[Table 5-7](#) lists the information you need to configure SMTP email notification (optional).

**Table 5-7** Information you need to configure SMTP email notification (optional)

Information	Description and sample value	Your value
The name of the public NIC for each node in the cluster	The device name for the NIC that provides public network access. A network interface card or an aggregated interface. Examples: <b>hme0</b>	
The domain-based address of the SMTP server	The SMTP server sends notification emails about the events within the cluster. Example: <b>smtp.symantecexample.com</b>	
The email address of each SMTP recipient to be notified	Example: <b>john@symantecexample.com</b>	
To decide the minimum severity of events for SMTP email notification	Events have four levels of severity, and the severity levels are cumulative: <ul style="list-style-type: none"> <li>■ Information VCS sends notifications for important events that exhibit normal behavior.</li> <li>■ Warning VCS sends notifications for events that exhibit any deviation from normal behavior. Notifications include both Warning and Information type of events.</li> <li>■ Error VCS sends notifications for faulty behavior. Notifications include both Error, Warning, and Information type of events.</li> <li>■ SevereError VCS sends notifications for a critical error that can lead to data loss or corruption. Notifications include both Severe Error, Error, Warning, and Information type of events.</li> </ul> Example: <b>Error</b>	

[Table 5-8](#) lists the information you need to configure SNMP trap notification (optional).

**Table 5-8** Information you need to configure SNMP trap notification (optional)

Information	Description and sample value	Your value
The name of the public NIC for each node in the cluster	The device name for the NIC that provides public network access. A network interface card or an aggregated interface. Examples: <b>hme0</b>	

**Table 5-8** Information you need to configure SNMP trap notification (optional)  
*(continued)*

Information	Description and sample value	Your value
The port number for the SNMP trap daemon	The default port number is 162.	
The system name for each SNMP console	Example: <b>saturn</b>	
To decide the minimum severity of events for SNMP trap notification	<p>Events have four levels of severity, and the severity levels are cumulative:</p> <ul style="list-style-type: none"> <li>■ Information VCS sends notifications for important events that exhibit normal behavior.</li> <li>■ Warning VCS sends notifications for events that exhibit any deviation from normal behavior. Notifications include both Warning and Information type of events.</li> <li>■ Error VCS sends notifications for faulty behavior. Notifications include both Error, Warning, and Information type of events.</li> <li>■ SevereError VCS sends notifications for a critical error that can lead to data loss or corruption. Notifications include both Severe Error, Error, Warning, and Information type of events.</li> </ul> <p>Example: <b>Error</b></p>	

[Table 5-9](#) lists the information you need to configure global clusters (optional).

**Table 5-9** Information you need to configure global clusters (optional)

Information	Description and sample value	Your value
The name of the public NIC	<p>You can use the same NIC that you used to configure the virtual IP of the cluster. Otherwise, specify appropriate values for the NIC.</p> <p>A network interface card or an aggregated interface.</p> <p>For example for SPARC systems: <b>hme0</b></p> <p>For example for x64 systems:</p>	

**Table 5-9** Information you need to configure global clusters (optional)  
(continued)

Information	Description and sample value	Your value
The virtual IP address of the NIC	<p>You can enter either an IPv4 or an IPv6 address.</p> <p>You can use the same virtual IP address that you configured earlier for the cluster. Otherwise, specify appropriate values for the virtual IP address.</p> <p>Example IPv4 address: <b>192.168.1.16</b></p> <p>Example IPv6 address: <b>2001:454e:205a:110:203:baff:feee:10</b></p>	
The netmask for the virtual IPv4 address	<p>You can use the same netmask that you used to configure the virtual IP of the cluster. Otherwise, specify appropriate values for the netmask.</p> <p>Example: <b>255.255.240.0</b></p>	
The prefix for the virtual IPv6 address	<p>The prefix length for the virtual IPv6 address.</p> <p>Example: <b>64</b></p>	

Review the information you need to configure I/O fencing.  
See [“About planning to configure I/O fencing”](#) on page 81.

# Installation using the script-based installer

- [Chapter 6. Installing VCS](#)
- [Chapter 7. Preparing to configure VCS](#)
- [Chapter 8. Configuring VCS](#)
- [Chapter 9. Configuring VCS clusters for data integrity](#)

# Installing VCS

This chapter includes the following topics:

- [Installing VCS using the installer](#)
- [Installing language packages using the installer](#)

## Installing VCS using the installer

Perform the following steps to install VCS.

To install VCS

- 1 Confirm that you are logged in as the superuser and you mounted the product disc.  
  
See [“Mounting the product disc”](#) on page 66.
- 2 Start the installation program. If you obtained VCS from an electronic download site, which does not include the Veritas product installer, use the `installvcs` program.

Veritas product  
installer

Perform the following steps to start the product installer:

- 1 Start the installer.

```
# ./installer
```

The installer starts with a copyright message and specifies the directory where the logs are created.

- 2 From the opening Selection Menu, choose **I** for "Install a Product."
- 3 From the displayed list of products to install, choose: Veritas Cluster Server.

installvcs program Perform the following steps to start the product installer:

- 1 Navigate to the folder that contains the installvcs program.

```
# cd /cdrom/cdrom0/cluster_server
```

- 2 Start the installvcs program.

```
# ./installvcs
```

The installer starts with a copyright message and specifies the directory where the logs are created.

- 3 Enter **y** to agree to the End User License Agreement (EULA).

```
Do you agree with the terms of the End User License Agreement
as specified in the cluster_server/EULA/<lang>/EULA_VCS_Ux_6.0.pdf
file present on media? [y,n,q,?] y
```

- 4 Choose the VCS packages that you want to install.

See [“Veritas Cluster Server installation packages”](#) on page 371.

Based on what packages you want to install, enter one of the following:

- 1 Installs only the minimal required VCS packages that provides basic functionality of the product.
- 2 Installs the recommended VCS packages that provides complete functionality of the product. This option does not install the optional VCS packages.

Note that this option is the default.

- 3 Installs all the VCS packages.  
You must choose this option to configure any optional VCS feature.
- 4 Displays the VCS packages for each option.

```
Select the packages to be installed on all systems? [1-4,q,?]
(2) 3
```

- 5 Enter the names of the systems where you want to install VCS.

```
Enter the system names separated by spaces:
[q,?] (galaxy) galaxy nebula
```

For a single-node VCS installation, enter one name for the system.

See [“Creating a single-node cluster using the installer program”](#) on page 428.

The installer does the following for the systems:

- Checks that the local system that runs the installer can communicate with remote systems.  
If the installer finds ssh binaries, it confirms that ssh can operate without requests for passwords or passphrases.  
If the default communication method ssh fails, the installer attempts to use rsh.
- Makes sure the systems use one of the supported operating systems.
- Makes sure that the systems have the required operating system patches.  
If the installer reports that any of the patches are not available, install the patches on the system before proceeding with the VCS installation.
- Makes sure the systems install from the global zone.
- Checks for product licenses.
- Checks whether a previous version of VCS is installed.  
If a previous version of VCS is installed, the installer provides an option to upgrade to VCS 6.0.  
See [“About upgrading to VCS 6.0”](#) on page 228.
- Checks for the required file system space and makes sure that any processes that are running do not conflict with the installation.  
If requirements for installation are not met, the installer stops and indicates the actions that you must perform to proceed with the process.
- Checks whether any of the packages already exists on a system.  
If the current version of any package exists, the installer removes the package from the installation list for the system. If a previous version of any package exists, the installer replaces the package with the current version.

- 6 Review the list of packages and patches that the installer would install on each node.

The installer installs the VCS packages and patches on the systems galaxy and nebula.

- 7 Select the license type.

- 1) Enter a valid license key
- 2) Enable keyless licensing and complete system licensing later

How would you like to license the systems? [1-2,q] (2)

Based on what license type you want to use, enter one of the following:

- 1 You must have a valid license key. Enter the license key at the prompt:

```
Enter a VCS license key: [b,q,?]  
XXXX-XXXX-XXXX-XXXX-XXXX
```

If you plan to configure global clusters, enter the corresponding license keys when the installer prompts for additional licenses.

```
Do you wish to enter additional licenses? [y,n,q,b] (n) y
```

- 2 The keyless license option enables you to install VCS without entering a key. However, to ensure compliance, keyless licensing requires that you manage the systems with a management server.

For more information, go to the following website:

<http://go.symantec.com/sfhakeyless>

Note that this option is the default.

The installer registers the license and completes the installation process.

- 8 To install the Global Cluster Option, enter y at the prompt.
- 9 To configure VCS, enter y at the prompt. You can also configure VCS later.

```
Would you like to configure VCS on galaxy nebula [y,n,q] (n) n
```

See “[Overview of tasks to configure VCS using the script-based installer](#)” on page 104.

- 10 Enter y at the prompt to send the installation information to Symantec.

```
Would you like to send the information about this installation  
to Symantec to help improve installation in the future? [y,n,q,?] (y) y
```

The installer provides an option to collect data about the installation process each time you complete an installation, upgrade, configuration, or uninstall of the product. The installer transfers the contents of the install log files to an internal Symantec site. The information is used only to gather metrics about how you use the installer. No personal customer data is collected, and no information will be shared by any other parties. Information gathered may include the product and the version installed or upgraded, how many systems were installed, and the time spent in any section of the install process.

- 11 The installer checks for online updates and provides an installation summary.
- 12 After the installation, note the location of the installation log files, the summary file, and the response file for future reference.

The files provide the useful information that can assist you with the configuration and can also assist future configurations.

summary file	Lists the packages that are installed on each system.
log file	Details the entire installation.
response file	Contains the installation information that can be used to perform unattended or automated installations on other systems. See <a href="#">“Installing VCS using response files”</a> on page 155.

## Installing language packages using the installer

Before you install the language packages, do the following:

- Make sure `install_lp` command uses the `ssh` or `rsh` commands as root on all systems in the cluster.
- Make sure that permissions are granted for the system on which `install_lp` is run.

### To install the language packages

- 1 Insert the language disc into the drive.

The Solaris volume-management software automatically mounts the disc as `/cdrom/cdrom0`.

- 2 Change to the `/cdrom/cdrom0` directory.

```
# cd /cdrom/cdrom0
```

- 3 Install the language packages:

```
# ./install_lp
```

# Preparing to configure VCS

This chapter includes the following topics:

- [About planning to configure I/O fencing](#)
- [Setting up the CP server](#)

## About planning to configure I/O fencing

After you configure VCS with the installer, you must configure I/O fencing in the cluster for data integrity.

You can configure disk-based I/O fencing or server-based I/O fencing. If your enterprise setup has multiple clusters that use VCS for clustering, Symantec recommends you to configure server-based I/O fencing.

The coordination points in server-based fencing can include only CP servers or a mix of CP servers and coordinator disks.

Symantec also supports server-based fencing with a single coordination point which is a single highly available CP server that is hosted on an SFHA cluster.

---

**Warning:** For server-based fencing configurations that use a single coordination point (CP server), the coordination point becomes a single point of failure. In such configurations, the arbitration facility is not available during a failover of the CP server in the SFHA cluster. So, if a network partition occurs on any application cluster during the CP server failover, the application cluster is brought down. Symantec recommends the use of single CP server-based fencing only in test environments.

---

If you have installed VCS in a virtual environment that is not SCSI-3 PR compliant, you can configure non-SCSI-3 server-based fencing.

See [Figure 7-2](#) on page 83.

Figure 7-1 illustrates a high-level flowchart to configure I/O fencing for the VCS cluster.

Figure 7-1 Workflow to configure I/O fencing

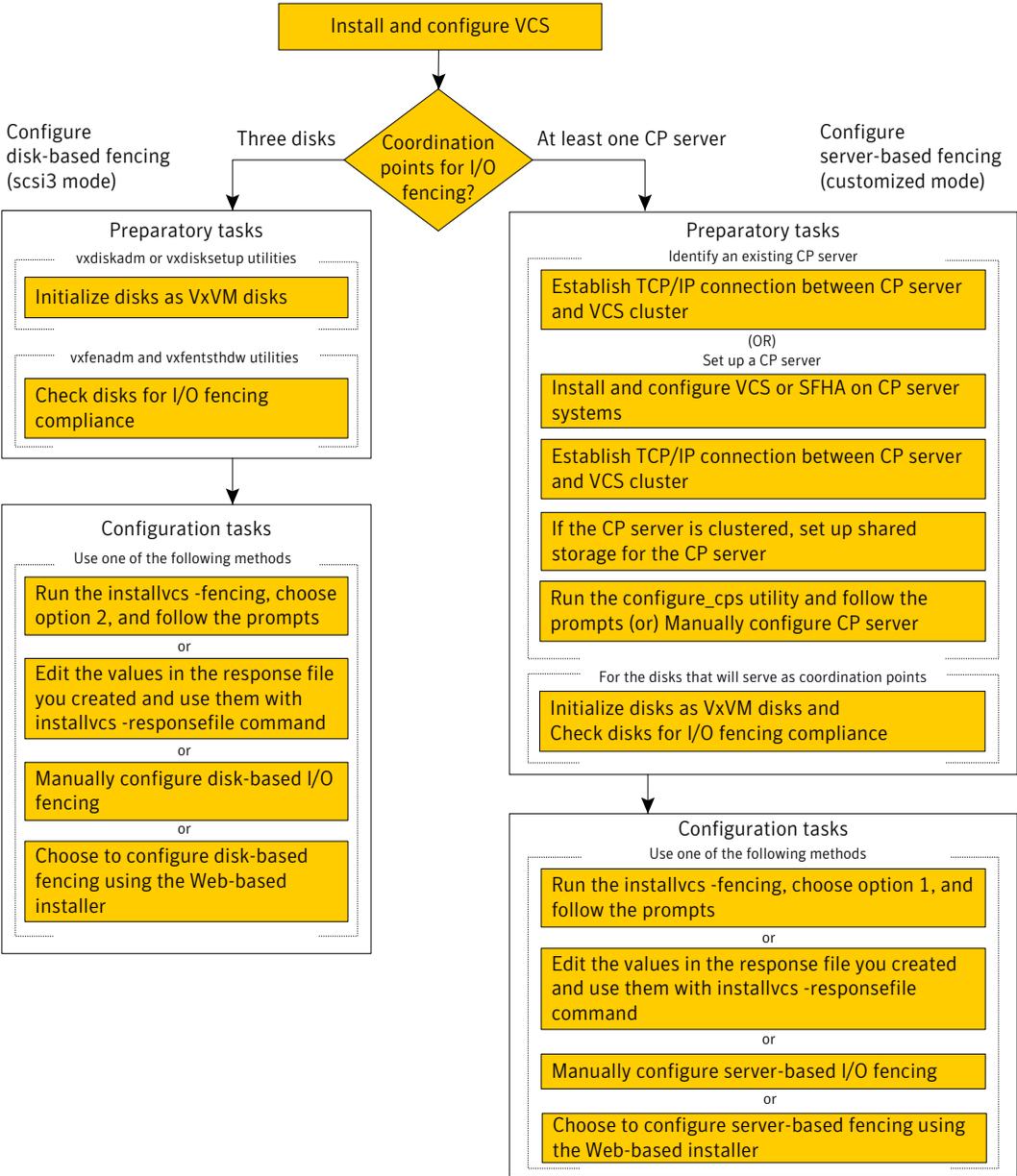
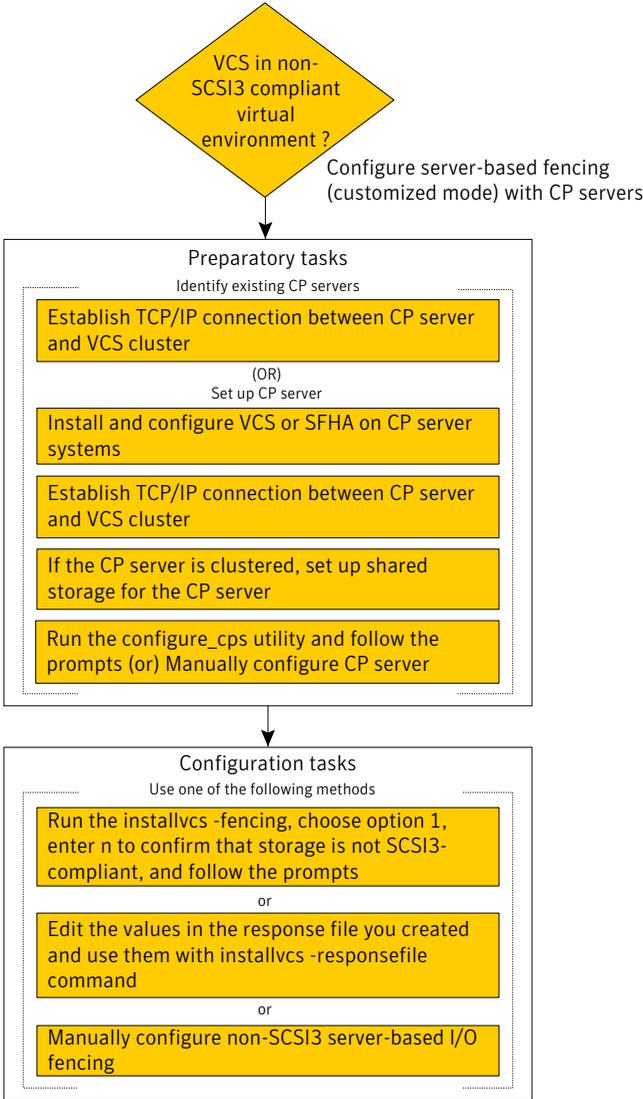


Figure 7-2 illustrates a high-level flowchart to configure non-SCSI-3 server-based I/O fencing for the VCS cluster in virtual environments that do not support SCSI-3 PR.

Figure 7-2 Workflow to configure non-SCSI-3 server-based I/O fencing



After you perform the preparatory tasks, you can use any of the following methods to configure I/O fencing:

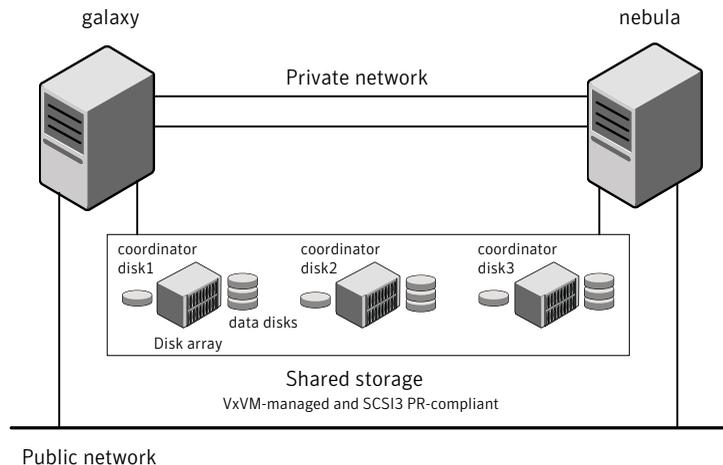
- Using the `installvcs` program
  - See [“Setting up disk-based I/O fencing using `installvcs` program”](#) on page 127.
  - See [“Setting up server-based I/O fencing using `installvcs` program”](#) on page 134.
  - See [“Setting up non-SCSI-3 server-based I/O fencing in virtual environments using `installvcs` program”](#) on page 135.
- Using the Web-based installer
  - See [“Configuring VCS for data integrity using the Web-based installer”](#) on page 150.
- Using response files
  - See [“Response file variables to configure disk-based I/O fencing”](#) on page 172.
  - See [“Response file variables to configure server-based I/O fencing”](#) on page 174.
  - See [“Response file variables to configure non-SCSI-3 server-based I/O fencing”](#) on page 176.
  - See [“Configuring I/O fencing using response files”](#) on page 171.
- Manually editing configuration files
  - See [“Setting up disk-based I/O fencing manually”](#) on page 204.
  - See [“Setting up server-based I/O fencing manually”](#) on page 209.
  - See [“Setting up non-SCSI-3 fencing in virtual environments manually”](#) on page 221.

You can also migrate from one I/O fencing configuration to another.  
 See the *Veritas Cluster Server Administrator's Guide* for more details.

## Typical VCS cluster configuration with disk-based I/O fencing

[Figure 7-3](#) displays a typical VCS configuration with two nodes and shared storage. The configuration uses three coordinator disks for I/O fencing.

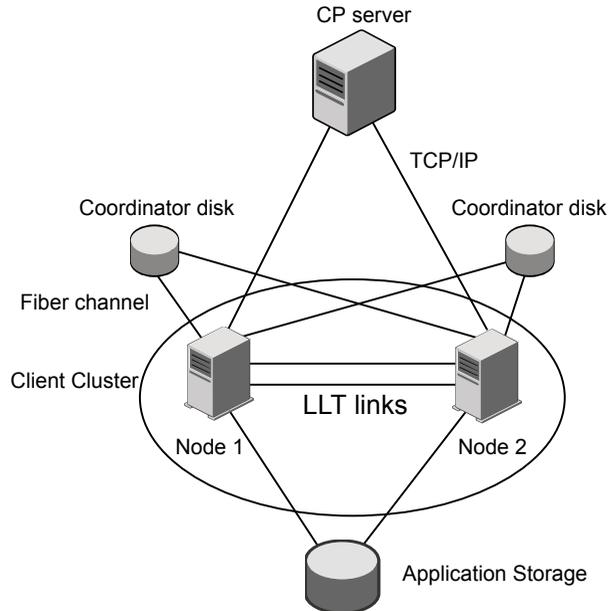
**Figure 7-3** Typical VCS cluster configuration with disk-based I/O fencing



## Typical VCS cluster configuration with server-based I/O fencing

Figure 7-4 displays a configuration using a VCS cluster (with two nodes), a single CP server, and two coordinator disks. The nodes within the VCS cluster are connected to and communicate with each other using LLT links.

**Figure 7-4** CP server, VCS cluster, and coordinator disks



## Recommended CP server configurations

Following are the recommended CP server configurations:

- Multiple application clusters use three CP servers as their coordination points  
 See [Figure 7-5](#) on page 86.
- Multiple application clusters use a single CP server and multiple pairs of coordinator disks (two) as their coordination points  
 See [Figure 7-6](#) on page 87.
- Multiple application clusters use a single CP server as their coordination point  
 This single coordination point fencing configuration must use a highly available CP server that is configured on an SFHA cluster as its coordination point.  
 See [Figure 7-7](#) on page 87.

---

**Warning:** In a single CP server fencing configuration, arbitration facility is not available during a failover of the CP server in the SFHA cluster. So, if a network partition occurs on any application cluster during the CP server failover, the application cluster is brought down.

---

Although the recommended CP server configurations use three coordination points, you can use more than three coordination points for I/O fencing. Ensure that the total number of CP servers you use is an odd number. In a configuration where multiple application clusters share a common set of CP server coordination points, the application cluster as well as the CP server use a Universally Unique Identifier (UUID) to uniquely identify an application cluster.

Figure 7-5 displays a configuration using three CP servers that are connected to multiple application clusters.

**Figure 7-5** Three CP servers connecting to multiple application clusters

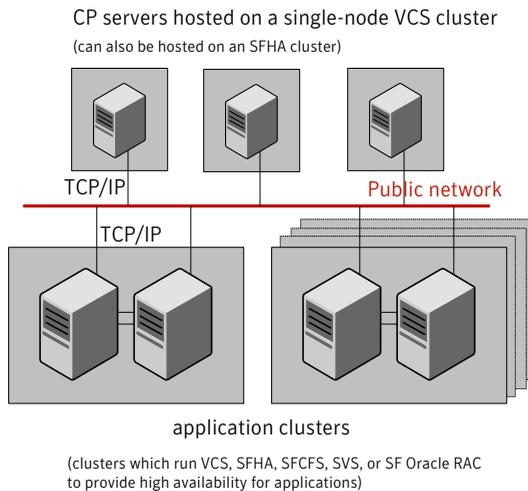


Figure 7-6 displays a configuration using a single CP server that is connected to multiple application clusters with each application cluster also using two coordinator disks.

**Figure 7-6** Single CP server with two coordinator disks for each application cluster

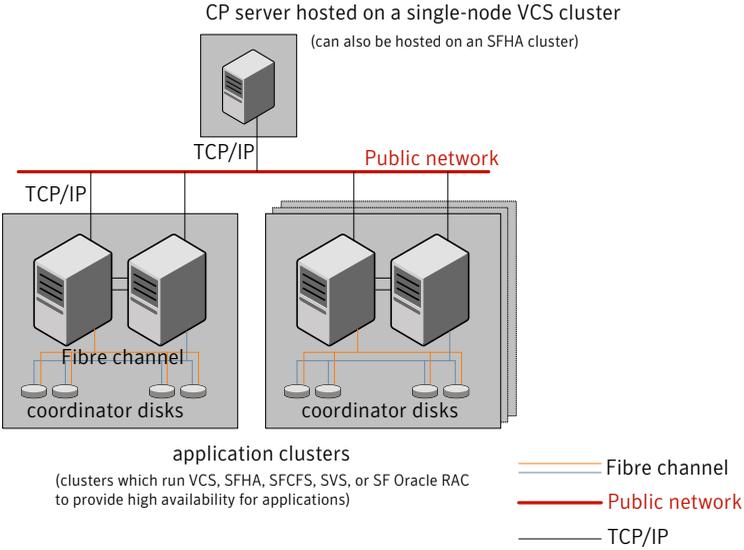
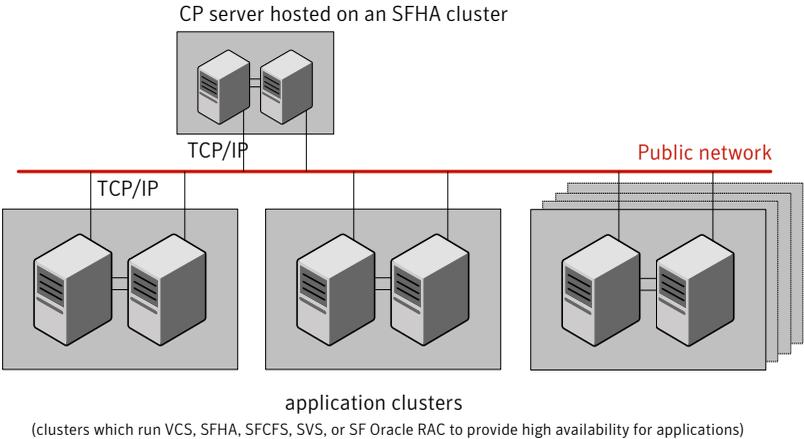


Figure 7-7 displays a configuration using a single CP server that is connected to multiple application clusters.

**Figure 7-7** Single CP server connecting to multiple application clusters



See "Configuration diagrams for setting up server-based I/O fencing" on page 459.

# Setting up the CP server

Table 7-1 lists the tasks to set up the CP server for server-based I/O fencing.

**Table 7-1** Tasks to set up CP server for server-based I/O fencing

Task	Reference
Plan your CP server setup	See <a href="#">“Planning your CP server setup”</a> on page 88.
Install the CP server	See <a href="#">“Installing the CP server using the installer”</a> on page 89.
Configure the CP server cluster in secure mode	See <a href="#">“Configuring the CP server cluster in secure mode”</a> on page 90.
Set up shared storage for the CP server database	See <a href="#">“Setting up shared storage for the CP server database”</a> on page 90.
Configure the CP server	See <a href="#">“Configuring the CP server using the configuration utility”</a> on page 91. See <a href="#">“Configuring the CP server manually”</a> on page 101.
Verify the CP server configuration	See <a href="#">“Verifying the CP server configuration”</a> on page 103.

## Planning your CP server setup

Follow the planning instructions to set up CP server for server-based I/O fencing.

### To plan your CP server setup

- 1 Decide whether you want to host the CP server on a single-node VCS cluster, or on an SFHA cluster.  
  
Symantec recommends hosting the CP server on an SFHA cluster to make the CP server highly available.
- 2 If you host the CP server on an SFHA cluster, review the following information. Make sure you make the decisions and meet these prerequisites when you set up the CP server:
  - You must configure disk-based fencing during the SFHA configuration.
  - You must set up shared storage for the CP server database during your CP server setup.

- Decide whether you want to configure server-based fencing for the VCS cluster (application cluster) with a single CP server as coordination point or with at least three coordination points.  
Symantec recommends using at least three coordination points.
- 3 Decide whether you want to configure the CP server cluster in secure mode.  
Symantec recommends configuring the CP server cluster in secure mode to secure the communication between the CP server and its clients (VCS clusters). It also secures the HAD communication on the CP server cluster.
- 4 Set up the hardware and network for your CP server.  
See “[CP server requirements](#)” on page 35.
- 5 Have the following information handy for CP server configuration:
  - Name for the CP server  
The CP server name should not contain any special characters. CP server name can include alphanumeric characters, underscore, and hyphen.
  - Port number for the CP server  
Allocate a TCP/IP port for use by the CP server.  
Valid port range is between 49152 and 65535. The default port number is 14250.
  - Virtual IP address, network interface, netmask, and networkhosts for the CP server  
You can configure multiple virtual IP addresses for the CP server.

## Installing the CP server using the installer

Perform the following procedure to install and configure VCS or SFHA on CP server systems.

### To install and configure VCS or SFHA on the CP server systems

- ◆ Depending on whether your CP server uses a single system or multiple systems, perform the following tasks:

CP server setup uses a single system     Install and configure VCS to create a single-node VCS cluster.

During installation, make sure to select all packages for installation. The VRTScps package is installed only if you select to install all packages.

Proceed to configure the CP server.

See “[Configuring the CP server using the configuration utility](#)” on page 91.

See “[Configuring the CP server manually](#)” on page 101.

CP server setup uses multiple systems

Install and configure SFHA to create an SFHA cluster. This makes the CP server highly available.

Meet the following requirements for CP server:

- During installation, make sure to select all packages for installation. The VRTScps package is installed only if you select to install all packages.
- During configuration, configure disk-based fencing (scsi3 mode).

See the *Veritas Storage Foundation and High Availability Installation Guide* for instructions on installing and configuring SFHA.

Proceed to set up shared storage for the CP server database.

## Configuring the CP server cluster in secure mode

You must configure security on the CP server only if you want to secure the communication between the CP server and the VCS cluster (CP client).

This step secures the HAD communication on the CP server cluster.

---

**Note:** If you already configured the CP server cluster in secure mode during the VCS configuration, then skip this section.

---

### To configure the CP server cluster in secure mode

- ◆ Run the installer as follows to configure the CP server cluster in secure mode.

If you have VCS installed on the CP server, run the following command:

```
# installvcs -security
```

If you have SFHA installed on the CP server, run the following command:

```
# installsfha -security
```

## Setting up shared storage for the CP server database

If you configured SFHA on the CP server cluster, perform the following procedure to set up shared storage for the CP server database.

Symantec recommends that you create a mirrored volume for the CP server database and that you use the vxfs file system type.

### To set up shared storage for the CP server database

- 1 Create a disk group containing the disks. You require two disks to create a mirrored volume.

For example:

```
# vxdg init cps_dg disk1 disk2
```

- 2 Import the disk group if it is not already imported.

For example:

```
# vxdg import cps_dg
```

- 3 Create a mirrored volume over the disk group.

For example:

```
# vxassist -g cps_dg make cps_vol volume_size layout=mirror
```

- 4 Create a file system over the volume.

The CP server configuration utility only supports vxfs file system type. If you use an alternate file system, then you must configure CP server manually.

Depending on the operating system that your CP server runs, enter the following command:

```
AIX # mkfs -V vxfs /dev/vx/rdisk/cps_dg/cps_volume
```

```
HP-UX # mkfs -F vxfs /dev/vx/rdisk/cps_dg/cps_volume
```

```
Linux # mkfs -t vxfs /dev/vx/rdisk/cps_dg/cps_volume
```

```
Solaris # mkfs -F vxfs /dev/vx/rdisk/cps_dg/cps_volume
```

## Configuring the CP server using the configuration utility

The CP server configuration utility (`configure_cps.pl`) is part of the VRTScps package.

Perform one of the following procedures:

For CP servers on single-node VCS cluster: See [“To configure the CP server on a single-node VCS cluster”](#) on page 92.

For CP servers on an SFHA cluster: See [“To configure the CP server on an SFHA cluster”](#) on page 96.

### To configure the CP server on a single-node VCS cluster

- 1 Verify that the VRTScps package is installed on the node.
- 2 Run the CP server configuration script on the node where you want to configure the CP server:

```
# /opt/VRTScps/bin/configure_cps.pl
```

- 3 Enter 1 at the prompt to configure CP server on a single-node VCS cluster.

The configuration utility then runs the following preconfiguration checks:

- Checks to see if a single-node VCS cluster is running with the supported platform.  
The CP server requires VCS to be installed and configured before its configuration.
- Checks to see if the CP server is already configured on the system.  
If the CP server is already configured, then the configuration utility informs the user and requests that the user unconfigure the CP server before trying to configure it.

- 4 Enter the name of the CP server.

```
Enter the name of the CP Server: mycps1
```

- 5 Enter valid virtual IP addresses on which the CP server process should depend on:

- Enter the number of virtual IP addresses you want to configure:

```
Enter the number of virtual IP(s) to configure : 2
```

- Enter valid virtual IP addresses:

```
Enter a valid IP address for Virtual IP - 1 which the CP Server process should depend on : 10.209.83.85
```

```
Enter a valid IP address for Virtual IP - 2 which the CP Server process should depend on : 10.209.83.87
```

You can also use IPv6 address.

- 6** Enter the CP server port number or press Enter to accept the default value (14250).

Enter a port number for virtual IP 10.209.83.85 in range [49152, 65535], or press enter for default port (14250) :

Using default port: 14250

Enter a port number for virtual IP 10.209.83.87 in range [49152, 65535], or press enter for default port (14250) :

Using default port: 14250

- 7** Choose whether the communication between the CP server and the VCS clusters has to be made secure.

If you have not configured the CP server cluster in secure mode, enter **n** at the prompt.

---

**Warning:** If the CP server cluster is not configured in secure mode, and if you enter **y**, then the script immediately exits. You must configure the CP server cluster in secure mode and rerun the CP server configuration script.

---

Veritas recommends secure communication between the CP server and application clusters. Enabling security requires Symantec Product Authentication Service to be installed and configured on the cluster.

Do you want to enable Security for the communications? (y/n)  
 (Default:y) :

- 8** Enter the absolute path of the CP server database or press Enter to accept the default value (/etc/VRTScps/db).

CP Server uses an internal database to store the client information.

Note: As the CP Server is being configured on a single node VCS, the database can reside on local file system.

Enter absolute path of the database (Default:/etc/VRTScps/db):

**9 Verify and confirm the CP server configuration information.**

Following is the CP Server configuration information:

```
-----
(a)CP Server Name: mycps1
(b)CP Server Virtual IP(s): 10.209.83.85 10.209.83.87
(c)CP Server Port(s): 14250 14250
(d)CP Server Security : 1
(e)CP Server Database Dir: /etc/VRTScps/db
-----
```

Press b if you want to change the configuration, <enter> to continue :

**10 The configuration utility proceeds with the configuration process, and creates a vxcps.conf configuration file.**

```
Successfully generated the /etc/vxcps.conf configuration file.
Successfully created directory /etc/VRTScps/db.
```

```
Configuring CP Server Service Group (CPSSG) for this cluster
-----
```

**11 Enter the number of NIC resources that you want to configure. You must use a public NIC.**

Enter how many NIC resources you want to configure [1 to 2]: **2**

Answer the following questions for each NIC resource that you want to configure.

**12 Enter a valid network interface for the virtual IP address for the CP server process.**

```
Enter a valid network interface for virtual IP 10.209.83.85
on mycps1.symantecexample.com: qfe0
Enter a valid network interface for virtual IP 10.209.83.87
on mycps1.symantecexample.com: qfe0
```

**13 Enter the NIC resource you want to associate with the virtual IP addresses.**

```
Enter the NIC resource you want to associate with the
virtual IP 10.209.83.85 [1 to 2] : 1
Enter the NIC resource you want to associate with the
virtual IP 10.209.83.87 [1 to 2] : 2
```

**14 Enter networkhosts information for each NIC resource.**

Symantec recommends configuring NetworkHosts attribute to ensure NIC resource to be online always.

Do you want to add NetworkHosts attribute for the NIC device qfe0 on system mycps1? [y/n] : y

Enter a valid IP address to configure NetworkHosts for NIC qfe0 on system mycps1 : 10.209.83.86

Do you want to add another Network Host ?[y/n] : n

**15 Enter the netmask for each virtual IP address. For example:**

Enter the netmask for virtual IP 10.209.83.85 :  
255.255.252.0

Enter the netmask for virtual IP 10.209.83.87 :  
255.255.252.0

If you entered an IPv6 address, enter the prefix details at the prompt.

- 16** After the configuration process has completed, a success message appears. For example:

```
Successfully added the Quorum Agent Type to VCS configuration.  
Successfully added the CPSSG service group to  
VCS configuration. Bringing the CPSSG service  
group online. Please wait...
```

```
The Veritas Coordination Point Server has been  
configured on your system.
```

- 17** Run the `hagrps -state` command to ensure that the CPSSG service group has been added.

For example:

```
# hagrps -state CPSSG
```

```
#Group   Attribute   System                               Value  
CPSSG    State      mycps1.symantecexample.com         |ONLINE|
```

It also generates the configuration file for CP server (`/etc/vxcps.conf`).

The configuration utility adds the `vxcpserv` process and other resources to the VCS configuration in the CP server service group (CPSSG).

For information about the CPSSG, refer to the *Veritas Cluster Server Administrator's Guide*.

In addition, the `main.cf` samples contain details about the `vxcpserv` resource and its dependencies.

See [“Sample configuration files for CP server”](#) on page 420.

### To configure the CP server on an SFHA cluster

- 1 Verify that the `VRTScps` package is installed on each node.
- 2 Make sure that you have configured passwordless `ssh` or `rsh` on the CP server cluster nodes.
- 3 Run the CP server configuration script on any node in the cluster:

```
# /opt/VRTScps/bin/configure_cps.pl [-n]
```

The CP server configuration utility uses `ssh` by default to communicate between systems. Use the `-n` option for `rsh` communication.

- 4 Enter **2** at the prompt to configure CP server on an SFHA cluster.

The configuration utility then runs the following preconfiguration checks:

- Checks to see if an SFHA cluster is running with the supported platform. The CP server requires SFHA to be installed and configured before its configuration.
- Checks to see if the CP server is already configured on the system. If the CP server is already configured, then the configuration utility informs the user and requests that the user unconfigure the CP server before trying to configure it.

**5** Enter the name of the CP server.

Enter the name of the CP Server: **mycps1**

**6** Enter valid virtual IP addresses on which the CP server process should depend on:

- Enter the number of virtual IP addresses you want to configure:

Enter the number of virtual IP(s) to configure : 2

- Enter valid virtual IP addresses:

Enter a valid IP address for Virtual IP - 1 which the CP Server process should depend on : 10.209.83.85

Enter a valid IP address for Virtual IP - 2 which the CP Server process should depend on : 10.209.83.87

You can also use IPv6 address.

**7** Enter the CP server port number or press Enter to accept the default value (14250).

Enter a port number for virtual IP 10.209.83.85 in range [49152, 65535], or press enter for default port (14250) :

Using default port: 14250

Enter a port number for virtual IP 10.209.83.87 in range [49152, 65535], or press enter for default port (14250) :

Using default port: 14250

- 8** Choose whether the communication between the CP server and the VCS clusters has to be made secure.

If you have not configured the CP server cluster in secure mode, enter **n** at the prompt.

---

**Warning:** If the CP server cluster is not configured in secure mode, and if you enter **y**, then the script immediately exits. You must configure the CP server cluster in secure mode and rerun the CP server configuration script.

---

Veritas recommends secure communication between the CP server and application clusters. Enabling security requires Symantec Product Authentication Service to be installed and configured on the cluster.

Do you want to enable Security for the communications? (y/n)  
 (Default:y) :

- 9** Enter the absolute path of the CP server database or press Enter to accept the default value (/etc/VRTScps/db).

CP Server uses an internal database to store the client information.

Note: As the CP Server is being configured on SFHA cluster, the database should reside on shared storage with vxfs file system.

Please refer to documentation for information on setting up of shared storage for CP server database.

Enter absolute path of the database (Default:/etc/VRTScps/db):

- 10** Verify and confirm the CP server configuration information.

Following is the CP Server configuration information:

```
-----
(a)CP Server Name: mycps1
(b)CP Server Virtual IP(s): 10.209.83.85 10.209.83.87
(c)CP Server Port(s): 14250 14250
(d)CP Server Security : 1
(e)CP Server Database Dir: /etc/VRTScps/db
-----
```

Press **b** if you want to change the configuration, <enter> to continue :

- 11 The configuration utility proceeds with the configuration process, and creates a `vxcps.conf` configuration file on each node.

The following output is for one node:

```
Successfully generated the /etc/vxcps.conf
configuration file.
Successfully created directory /etc/VRTScps/db.
Creating mount point /etc/VRTScps/db on
mycps1.symantecexample.com.
Copying configuration file /etc/vxcps.conf to
mycps1.symantecexample.com

Configuring CP Server Service Group (CPSSG) for this cluster
-----
```

- 12 Enter the number of NIC resources that you want to configure. You must use a public NIC.

```
Enter how many NIC resources you want to configure [1 to 2]: 2
```

Answer the following questions for each NIC resource that you want to configure.

- 13 Confirm whether you use the same NIC name for the virtual IP on all the systems in the cluster.

```
Is the name of network interfaces for NIC resource - 1
same on all the systems?[y/n] : y
```

- 14 Enter a valid network interface for the virtual IP address for the CP server process.

```
Enter a valid interface for virtual IP 10.209.83.85
on all the systems : qfe0
```

- 15 Enter the NIC resource you want to associate with the virtual IP addresses.

```
Enter the NIC resource you want to associate with the
virtual IP 10.209.83.85 [1 to 2] : 1
Enter the NIC resource you want to associate with the
virtual IP 10.209.83.87 [1 to 2] : 2
```

**16 Enter networkhosts information for each NIC resource.**

Symantec recommends configuring NetworkHosts attribute to ensure NIC resource to be online always.

Do you want to add NetworkHosts attribute for the NIC device qfe0 on system mycps1? [y/n] : y

Enter a valid IP address to configure NetworkHosts for NIC qfe0 on system mycps1 : 10.209.83.86

Do you want to add another Network Host ?[y/n] : n

**17 Enter the netmask for each virtual IP address.**

Enter the netmask for virtual IP 10.209.83.85 :  
 255.255.252.0

If you entered an IPv6 address, enter the prefix details at the prompt.

**18 Enter the name of the disk group for the CP server database.**

Enter the name of diskgroup for cps database :  
 cps\_dg

**19 Enter the name of the volume that is created on the above disk group.**

Enter the name of volume created on diskgroup cps\_dg :  
 cps\_volume

- 20 After the configuration process has completed, a success message appears. For example:

```
Successfully added the CPSSG service group to  
VCS configuration. Bringing the CPSSG service  
group online. Please wait...
```

```
The Veritas Coordination Point Server has been  
configured on your system.
```

- 21 Run the `hagrp -state` command to ensure that the CPSSG service group has been added.

For example:

```
# hagrp -state CPSSG

#Group   Attribute  System      Value
CPSSG    State      mycps1     |ONLINE|
CPSSG    State      mycps2     |OFFLINE|
```

It also generates the configuration file for CP server (`/etc/vxcps.conf`).

The configuration utility adds the `vxcperv` process and other resources to the VCS configuration in the CP server service group (CPSSG).

For information about the CPSSG, refer to the *Veritas Cluster Server Administrator's Guide*.

In addition, the `main.cf` samples contain details about the `vxcperv` resource and its dependencies.

See [“Sample configuration files for CP server”](#) on page 420.

## Configuring the CP server manually

Perform the following steps to manually configure the CP server.

### To manually configure the CP server

- 1 Stop VCS on each node in the CP server cluster using the following command:

```
# hstop -local
```

- 2 Edit the `main.cf` file to add the CPSSG service group on any node. Use the CPSSG service group in the `main.cf` as an example:

See [“Sample configuration files for CP server”](#) on page 420.

Customize the resources under the CPSSG service group as per your configuration.

- 3 Verify the `main.cf` file using the following command:

```
# hacf -verify /etc/VRTSvcs/conf/config
```

If successfully verified, copy this `main.cf` to all other cluster nodes.

- 4 Create the `/etc/vxcps.conf` file using the sample configuration file provided at `/etc/vxcps/vxcps.conf.sample`.

Based on whether you have configured the CP server cluster in secure mode or not, do the following:

- For a CP server cluster which is configured in secure mode, edit the `/etc/vxcps.conf` file to set `security=1`.
- For a CP server cluster which is not configured in secure mode, edit the `/etc/vxcps.conf` file to set `security=0`.

Symantec recommends enabling security for communication between CP server and the application clusters.

- 5 Start VCS on all the cluster nodes.

```
# hstart
```

- 6 Verify that the CP server service group (CPSSG) is online.

```
# hagrps -state CPSSG
```

Output similar to the following appears:

```
# Group Attribute System Value
CPSSG State mycps1.symantecexample.com |ONLINE|
```

## Verifying the CP server configuration

Perform the following steps to verify the CP server configuration.

### To verify the CP server configuration

- 1 Verify that the following configuration files are updated with the information you provided during the CP server configuration process:
  - `/etc/vxcps.conf` (CP server configuration file)
  - `/etc/VRTSvcs/conf/config/main.cf` (VCS configuration file)
  - `/etc/VRTSvcs/db` (default location for CP server database)
- 2 Run the `cpsadm` command to check if the `vxcpserv` process is listening on the configured Virtual IP.

```
# cpsadm -s cp_server -a ping_cps
```

where `cp_server` is the virtual IP address or the virtual hostname of the CP server.

# Configuring VCS

This chapter includes the following topics:

- [Overview of tasks to configure VCS using the script-based installer](#)
- [Starting the software configuration](#)
- [Specifying systems for configuration](#)
- [Configuring the cluster name](#)
- [Configuring private heartbeat links](#)
- [Configuring the virtual IP of the cluster](#)
- [Configuring the cluster in secure mode](#)
- [Configuring a secure cluster node by node](#)
- [Adding VCS users](#)
- [Configuring SMTP email notification](#)
- [Configuring SNMP trap notification](#)
- [Configuring global clusters](#)
- [Completing the VCS configuration](#)
- [Verifying and updating licenses on the system](#)

## Overview of tasks to configure VCS using the script-based installer

[Table 8-1](#) lists the tasks that are involved in configuring VCS using the script-based installer.

**Table 8-1** Tasks to configure VCS using the script-based installer

Task	Reference
Start the software configuration	See <a href="#">“Starting the software configuration”</a> on page 105.
Specify the systems where you want to configure VCS	See <a href="#">“Specifying systems for configuration”</a> on page 106.
Configure the basic cluster	See <a href="#">“Configuring the cluster name”</a> on page 107. See <a href="#">“Configuring private heartbeat links”</a> on page 107.
Configure virtual IP address of the cluster (optional)	See <a href="#">“Configuring the virtual IP of the cluster”</a> on page 110.
Configure the cluster in secure mode (optional)	See <a href="#">“Configuring the cluster in secure mode”</a> on page 112.
Add VCS users (required if you did not configure the cluster in secure mode)	See <a href="#">“Adding VCS users”</a> on page 117.
Configure SMTP email notification (optional)	See <a href="#">“Configuring SMTP email notification”</a> on page 118.
Configure SNMP email notification (optional)	See <a href="#">“Configuring SNMP trap notification”</a> on page 120.
Configure global clusters (optional) <b>Note:</b> You must have enabled Global Cluster Option when you installed VCS.	See <a href="#">“Configuring global clusters”</a> on page 122.
Complete the software configuration	See <a href="#">“Completing the VCS configuration”</a> on page 123.

## Starting the software configuration

You can configure VCS using the Veritas product installer or the `installvcs` program command.

---

**Note:** If you want to reconfigure VCS, before you start the installer you must stop all the resources that are under VCS control using the `hastop` command or the `hagrp -offline` command.

---

### To configure VCS using the product installer

- 1 Confirm that you are logged in as the superuser and that you have mounted the product disc.

- 2 Start the installer.

```
# ./installer
```

The installer starts the product installation program with a copyright message and specifies the directory where the logs are created.

- 3 From the opening Selection Menu, choose: **c** for "Configure an Installed Product."
- 4 From the displayed list of products to configure, choose the corresponding number for your product:

Veritas Cluster Server

### To configure VCS using the `installvcs` program

- 1 Confirm that you are logged in as the superuser.
- 2 Start the `installvcs` program.

```
# /opt/VRTS/install/installvcs -configure
```

The installer begins with a copyright message and specifies the directory where the logs are created.

## Specifying systems for configuration

The installer prompts for the system names on which you want to configure VCS. The installer performs an initial check on the systems that you specify.

### To specify system names for configuration

- 1 Enter the names of the systems where you want to configure VCS.

```
Enter the operating_system system names separated  
by spaces: [q,?] (galaxy) galaxy nebula
```

- 2 Review the output as the installer verifies the systems you specify.

The installer does the following tasks:

- Checks that the local node running the installer can communicate with remote nodes  
If the installer finds ssh binaries, it confirms that ssh can operate without requests for passwords or passphrases.

- Makes sure that the systems are running with the supported operating system
  - Makes sure the installer started from the global zone
  - Checks whether VCS is installed
  - Exits if VCS 6.0 is not installed
- 3 Review the installer output about the I/O fencing configuration and confirm whether you want to configure fencing in enabled mode.

```
Do you want to configure I/O Fencing in enabled mode? [y,n,q,?] (y)
```

See [“About planning to configure I/O fencing”](#) on page 81.

## Configuring the cluster name

Enter the cluster information when the installer prompts you.

### To configure the cluster

- 1 Review the configuration instructions that the installer presents.
- 2 Enter a unique cluster name.

```
Enter the unique cluster name: [q,?] clus1
```

## Configuring private heartbeat links

You now configure the private heartbeats that LLT uses. VCS provides the option to use LLT over Ethernet or over UDP (User Datagram Protocol). Symantec recommends that you configure heartbeat links that use LLT over Ethernet, unless hardware requirements force you to use LLT over UDP. If you want to configure LLT over UDP, make sure you meet the prerequisites.

See [“Using the UDP layer for LLT”](#) on page 431.

The following procedure helps you configure LLT over Ethernet.

### To configure private heartbeat links

- 1 Choose one of the following options at the installer prompt based on whether you want to configure LLT over Ethernet or UDP.
  - Option 1: LLT over Ethernet (answer installer questions)  
Enter the heartbeat link details at the installer prompt to configure LLT over Ethernet.

Skip to step 2.

- Option 2: LLT over UDP (answer installer questions)  
 Make sure that each NIC you want to use as heartbeat link has an IP address configured. Enter the heartbeat link details at the installer prompt to configure LLT over UDP. If you had not already configured IP addresses to the NICs, the installer provides you an option to detect the IP address for a given NIC.

Skip to step 3.

- Option 3: Automatically detect configuration for LLT over Ethernet  
 Allow the installer to automatically detect the heartbeat link details to configure LLT over Ethernet. The installer tries to detect all connected links between all systems.

Skip to step 5.

**2** If you chose option 1, enter the network interface card details for the private heartbeat links.

The installer discovers and lists the network interface cards.

Answer the installer prompts. The following example shows different NICs based on architecture:

- For Solaris SPARC:  
 You must not enter the network interface card that is used for the public network (typically qfe0.)

```
Enter the NIC for the first private heartbeat link on galaxy:
[b,q,?] qfe0
Would you like to configure a second private heartbeat link?
[y,n,q,b,?] (y)
Enter the NIC for the second private heartbeat link on galaxy:
[b,q,?] qfe1
Would you like to configure a third private heartbeat link?
[y,n,q,b,?] (n)

Do you want to configure an additional low priority heartbeat
link? [y,n,q,b,?] (n)
```

- For Solaris x64:  
 You must not enter the network interface card that is used for the public network (typically qfe0.)

```
Enter the NIC for the first private heartbeat link on galaxy:
[b,q,?] e1000g1
Would you like to configure a second private heartbeat link?
```

```
[y,n,q,b,?] (y)
Enter the NIC for the second private heartbeat link on galaxy:
[b,q,?] e1000g2
Would you like to configure a third private heartbeat link?
[y,n,q,b,?] (n)
```

- 3** If you chose option 2, enter the NIC details for the private heartbeat links. This step uses examples such as *private\_NIC1* or *private\_NIC2* to refer to the available names of the NICs.

```
Enter the NIC for the first private heartbeat
link on galaxy: [b,q,?] private_NIC1
Do you want to use address 192.168.0.1 for the
first private heartbeat link on galaxy: [y,n,q,b,?] (y)
Enter the UDP port for the first private heartbeat
link on galaxy: [b,q,?] (50000) ?
Would you like to configure a second private
heartbeat link? [y,n,q,b,?] (y)
Enter the NIC for the second private heartbeat
link on galaxy: [b,q,?] private_NIC2
Do you want to use address 192.168.1.1 for the
second private heartbeat link on galaxy: [y,n,q,b,?] (y)
Enter the UDP port for the second private heartbeat
link on galaxy: [b,q,?] (50001) ?
Do you want to configure an additional low priority
heartbeat link? [y,n,q,b,?] (n) y
Enter the NIC for the low priority heartbeat
link on galaxy: [b,q,?] (private_NIC0)
Do you want to use address 192.168.3.1 for
the low priority heartbeat link on galaxy: [y,n,q,b,?] (y)
Enter the UDP port for the low priority heartbeat
link on galaxy: [b,q,?] (50004)
```

- 4 Choose whether to use the same NIC details to configure private heartbeat links on other systems.

```
Are you using the same NICs for private heartbeat links on all systems? [y,n,q,b,?] (y)
```

If you want to use the NIC details that you entered for galaxy, make sure the same NICs are available on each system. Then, enter **y** at the prompt.

For LLT over UDP, if you want to use the same NICs on other systems, you still must enter unique IP addresses on each NIC for other systems.

If the NIC device names are different on some of the systems, enter **n**. Provide the NIC details for each system as the program prompts.

- 5 If you chose option 3, the installer detects NICs on each system and network links, and sets link priority.

If the installer fails to detect heartbeat links or fails to find any high-priority links, then choose option 1 or option 2 to manually configure the heartbeat links.

See step 2 for option 1, or step 3 for option 2.

- 6 Enter a unique cluster ID:

```
Enter a unique cluster ID number between 0-65535: [b,q,?] (60842)
```

The cluster cannot be configured if the cluster ID 60842 is in use by another cluster. Installer performs a check to determine if the cluster ID is duplicate. The check takes less than a minute to complete.

```
Would you like to check if the cluster ID is in use by another cluster? [y,n,q] (y)
```

- 7 Verify and confirm the information that the installer summarizes.

## Configuring the virtual IP of the cluster

You can configure the virtual IP of the cluster to use to connect from the Cluster Manager (Java Console), Veritas Operations Manager (VOM), or to specify in the RemoteGroup resource.

See the *Veritas Cluster Server Administrator's Guide* for information on the Cluster Manager.

See the *Veritas Cluster Server Bundled Agents Reference Guide* for information on the RemoteGroup agent.

**To configure the virtual IP of the cluster**

- 1 Review the required information to configure the virtual IP of the cluster.
- 2 When the system prompts whether you want to configure the virtual IP, enter `y`.
- 3 Confirm whether you want to use the discovered public NIC on the first system.

Do one of the following:

- If the discovered NIC is the one to use, press `Enter`.
- If you want to use a different NIC, type the name of a NIC to use and press `Enter`.

Active NIC devices discovered on galaxy: `qfe0`

Enter the NIC for Virtual IP of the Cluster to use on galaxy:  
`[b,q,?] (qfe0)`

- 4 Confirm whether you want to use the same public NIC on all nodes.

Do one of the following:

- If all nodes use the same public NIC, enter `y`.
- If unique NICs are used, enter `n` and enter a NIC for each node.

Is `qfe0` to be the public NIC used by all systems  
`[y,n,q,b,?] (y)`

- 5 Enter the virtual IP address for the cluster.

You can enter either an IPv4 address or an IPv6 address.

For IPv4:

- Enter the virtual IP address.

```
Enter the Virtual IP address for the Cluster:
[b,q,?] 192.168.1.16
```

- Confirm the default netmask or enter another one:

```
Enter the netmask for IP 192.168.1.16: [b,q,?]
(255.255.240.0)
```

- Verify and confirm the Cluster Virtual IP information.

```
Cluster Virtual IP verification:
```

```
NIC: hme0
IP: 192.168.1.16
Netmask: 255.255.240.0
```

```
Is this information correct? [y,n,q] (y)
```

For IPv6

- Enter the virtual IP address.

```
Enter the Virtual IP address for the Cluster:
[b,q,?] 2001:454e:205a:110:203:baff:feee:10
```

- Enter the prefix for the virtual IPv6 address you provided. For example:

```
Enter the Prefix for IP
2001:454e:205a:110:203:baff:feee:10: [b,q,?] 64
```

- Verify and confirm the Cluster Virtual IP information.

```
Cluster Virtual IP verification:
```

```
NIC: hme0
IP: 2001:454e:205a:110:203:baff:feee:10
Prefix: 64
```

```
Is this information correct? [y,n,q] (y)
```

## Configuring the cluster in secure mode

The installer prompts whether you want to configure a secure cluster.

```
Would you like to configure the VCS cluster in secure mode?  
[y,n,q,?] (n)
```

To configure a secure cluster, enter **y**.

If you want to confirm that the configured cluster is in secure mode, verify that the output of the following command is 1.

```
# haclus -value SecureClus  
1
```

## Setting up trust relationships for your VCS cluster

If you need to use an external authentication broker for authenticating VCS users, you must set up a trust relationship between VCS and the broker. For example, if Veritas Operations Manager (VOM) is your external authentication broker, the trust relationship ensures that VCS accepts the credentials that VOM issues.

Perform the following steps to set up a trust relationship between your VCS cluster and a broker.

### To set up a trust relationship

- 1 Ensure that you are logged in as superuser on one of the nodes in the cluster.
- 2 Enter the following command:

```
# /opt/VRTS/install/installvcs -securitytrust
```

The installer specifies the location of the log files. It then lists the cluster information such as cluster name, cluster ID, node names, and service groups.

- 3 When the installer prompts you for the broker information, specify the IP address, port number, and the data directory for which you want to establish trust relationship with the broker.

```
Input the broker name or IP address: 15.193.97.204
```

```
Input the broker port: (14545)
```

Specify a port number or press Enter to accept the default port.

```
Input the data directory to setup trust with: (/var/VRTSvcs/  
vcsauth/data/HAD)
```

Specify a valid data directory or press Enter to accept the default directory.

- 4 The installer performs one of the following actions:

- If you specified a valid directory, the installer prompts for a confirmation.

```
Are you sure that you want to setup trust for the VCS cluster
with the broker 15.193.97.204 and port 14545? [y,n,q] y
```

The installer sets up trust relationship with the broker for all nodes in the cluster and displays a confirmation.

```
Setup trust with broker 15.193.97.204 on cluster node1
.....Done
```

```
Setup trust with broker 15.193.97.204 on cluster node2
.....Done
```

The installer specifies the location of the log files, summary file, and response file and exits.

- If you entered incorrect details for broker IP address, port number, or directory name, the installer displays an error. It specifies the location of the log files, summary file, and response file and exits.

## Configuring a secure cluster node by node

For environments that do not support passwordless ssh or passwordless rsh, you cannot use the `-security` option to enable secure mode for your cluster. Instead, you can use the `-securityonnode` option to configure a secure cluster node by node.

[Table 8-2](#) lists the tasks that you must perform to configure a secure cluster.

**Table 8-2** Configuring a secure cluster node by node

Task	Reference
Configure security on one node	See <a href="#">"Configuring the first node"</a> on page 114.
Configure security on the remaining nodes	See <a href="#">"Configuring the remaining nodes"</a> on page 115.
Complete the manual configuration steps	See <a href="#">"Completing the secure cluster configuration"</a> on page 116.

### Configuring the first node

Perform the following steps on one node in your cluster.

### To configure security on the first node

- 1 Ensure that you are logged in as superuser.
- 2 Enter the following command:

```
# /opt/VRTS/install/installvcs -securityonnode
```

The installer lists information about the cluster, nodes, and service groups. If VCS is not configured or if VCS is not running on all nodes of the cluster, the installer prompts whether you want to continue configuring security. It then prompts you for the node that you want to configure.

```
VCS is not running on all systems in this cluster. All VCS systems
must be in RUNNING state. Do you want to continue? [y,n,q] (n) y
```

```
1) Perform security configuration on first node and export
security configuration files.
```

```
2) Perform security configuration on remaining nodes with
security configuration files.
```

```
Select the option you would like to perform [1-2,q,?] 1
```

---

**Warning:** All configurations about cluster users are deleted when you configure the first node. You can use the `/opt/VRTSvcs/bin/hauser` command to create cluster users manually.

---

- 3 The installer completes the secure configuration on the node. It specifies the location of the security configuration files and prompts you to copy these files to the other nodes in the cluster. The installer also specifies the location of log files, summary file, and response file.
- 4 Copy the security configuration files from the `/var/VRTSvcs/vcsauth/bkup` directory to temporary directories on the other nodes in the cluster.

## Configuring the remaining nodes

On each of the remaining nodes in the cluster, perform the following steps.

### To configure security on each remaining node

- 1 Ensure that you are logged in as superuser.
- 2 Enter the following command:

```
# /opt/VRTS/install/installvcs -securityonnode
```

The installer lists information about the cluster, nodes, and service groups. If VCS is not configured or if VCS is not running on all nodes of the cluster, the installer prompts whether you want to continue configuring security. It then prompts you for the node that you want to configure. Enter **2**.

```
VCS is not running on all systems in this cluster. All VCS systems
must be in RUNNING state. Do you want to continue? [y,n,q] (n) y
```

```
1) Perform security configuration on first node and export
security configuration files.
```

```
2) Perform security configuration on remaining nodes with
security configuration files.
```

```
Select the option you would like to perform [1-2,q.?] 2
```

The installer completes the secure configuration on the node. It specifies the location of log files, summary file, and response file.

## Completing the secure cluster configuration

Perform the following manual steps to complete the configuration.

### To complete the secure cluster configuration

- 1 On the first node, freeze all service groups except the ClusterService service group.

```
# /opt/VRTSvcs/bin/haconf -makerw
```

```
# /opt/VRTSvcs/bin/hagrp -list Frozen=0
```

```
# /opt/VRTSvcs/bin/hagrp -freeze groupname -persistent
```

```
# /opt/VRTSvcs/bin/haconf -dump -makero
```

- 2 On the first node, stop the VCS engine.

```
# /opt/VRTSvcs/bin/CommandServer/hastop -all -force
```

- 3 On all nodes, stop the CmdServer.

```
# /opt/VRTSvcs/bin/CmdServer -stop
```

- 4 On the first node, edit the `/etc/VRTSvcs/conf/config/main.cf` file to resemble the following:

```
cluster clus1 (  
  SecureClus = 1  
)
```

- 5 On all nodes, create the `/etc/VRTSvcs/conf/config/.secure` file.

```
# touch /etc/VRTSvcs/conf/config/.secure
```

- 6 On the first node, start VCS. Then start VCS on the remaining nodes.

```
# /opt/VRTSvcs/bin/hastart
```

- 7 On all nodes, start CmdServer.

```
# /opt/VRTSvcs/bin/CmdServer
```

- 8 On the first node, unfreeze the service groups.

```
# /opt/VRTSvcs/bin/haconf -makerw
```

```
# /opt/VRTSvcs/bin/hagrp -list Frozen=1
```

```
# /opt/VRTSvcs/bin/hagrp -unfreeze groupname -persistent
```

```
# /opt/VRTSvcs/bin/haconf -dump -makero
```

## Adding VCS users

If you have enabled a secure VCS cluster, you do not need to add VCS users now. Otherwise, on systems operating under an English locale, you can add VCS users at this time.

**To add VCS users**

**1** Review the required information to add VCS users.

**2** Reset the password for the Admin user, if necessary.

```
Do you wish to accept the default cluster credentials of
'admin/password'? [y,n,q] (y) n
Enter the user name: [b,q,?] (admin)
Enter the password:
Enter again:
```

**3** To add a user, enter **y** at the prompt.

```
Do you want to add another user to the cluster? [y,n,q] (y)
```

**4** Enter the user's name, password, and level of privileges.

```
Enter the user name: [b,q,?] smith
Enter New Password:*****

Enter Again:*****
Enter the privilege for user smith (A=Administrator, O=Operator,
G=Guest): [b,q,?] a
```

**5** Enter **n** at the prompt if you have finished adding users.

```
Would you like to add another user? [y,n,q] (n)
```

**6** Review the summary of the newly added users and confirm the information.

## Configuring SMTP email notification

You can choose to configure VCS to send event notifications to SMTP email services. You need to provide the SMTP server name and email addresses of people to be notified. Note that you can also configure the notification after installation.

Refer to the *Veritas Cluster Server Administrator's Guide* for more information.

**To configure SMTP email notification**

- 1 Review the required information to configure the SMTP email notification.
- 2 Specify whether you want to configure the SMTP notification.

```
Do you want to configure SMTP notification? [y,n,q,?] (n) y
```

If you do not want to configure the SMTP notification, you can skip to the next configuration option.

See [“Configuring SNMP trap notification”](#) on page 120.

- 3 Provide information to configure SMTP notification.

Provide the following information:

- Enter the NIC information.

```
Active NIC devices discovered on galaxy: hme0
Enter the NIC for the VCS Notifier to use on galaxy:
[b,q,?] (hme0)
Is hme0 to be the public NIC used by all systems?
[y,n,q,b,?] (y)
```

- Enter the SMTP server's host name.

```
Enter the domain-based hostname of the SMTP server
(example: smtp.yourcompany.com): [b,q,?] smtp.example.com
```

- Enter the email address of each recipient.

```
Enter the full email address of the SMTP recipient
(example: user@yourcompany.com): [b,q,?] ozzie@example.com
```

- Enter the minimum security level of messages to be sent to each recipient.

```
Enter the minimum severity of events for which mail should be
sent to ozzie@example.com [I=Information, W=Warning,
E=Error, S=SevereError]: [b,q,?] w
```

- 4 Add more SMTP recipients, if necessary.

- If you want to add another SMTP recipient, enter **y** and provide the required information at the prompt.

```
Would you like to add another SMTP recipient? [y,n,q,b] (n) y
```

```
Enter the full email address of the SMTP recipient
```

```
(example: user@yourcompany.com): [b,q,?] harriet@example.com
```

```
Enter the minimum severity of events for which mail should be  
sent to harriet@example.com [I=Information, W=Warning,  
E=Error, S=SevereError]: [b,q,?] E
```

- If you do not want to add, answer **n**.

```
Would you like to add another SMTP recipient? [y,n,q,b] (n)
```

## 5 Verify and confirm the SMTP notification information.

```
NIC: hme0
```

```
SMTP Address: smtp.example.com
```

```
Recipient: ozzie@example.com receives email for Warning or  
higher events
```

```
Recipient: harriet@example.com receives email for Error or  
higher events
```

```
Is this information correct? [y,n,q] (y)
```

# Configuring SNMP trap notification

You can choose to configure VCS to send event notifications to SNMP management consoles. You need to provide the SNMP management console name to be notified and message severity levels.

Note that you can also configure the notification after installation.

Refer to the *Veritas Cluster Server Administrator's Guide* for more information.

## To configure the SNMP trap notification

- 1 Review the required information to configure the SNMP notification feature of VCS.
- 2 Specify whether you want to configure the SNMP notification.

```
Do you want to configure SNMP notification? [y,n,q,?] (n) y
```

If you skip this option and if you had installed a valid HA/DR license, the installer presents you with an option to configure this cluster as global cluster. If you did not install an HA/DR license, the installer proceeds to configure VCS based on the configuration details you provided.

See [“Configuring global clusters”](#) on page 122.

**3 Provide information to configure SNMP trap notification.**

Provide the following information:

- Enter the NIC information.

```
Active NIC devices discovered on galaxy: hme0
Enter the NIC for the VCS Notifier to use on galaxy:
[b,q,?] (hme0)
Is hme0 to be the public NIC used by all systems?
[y,n,q,b,?] (y)
```

- Enter the SNMP trap daemon port.

```
Enter the SNMP trap daemon port: [b,q,?] (162)
```

- Enter the SNMP console system name.

```
Enter the SNMP console system name: [b,q,?] saturn
```

- Enter the minimum security level of messages to be sent to each console.

```
Enter the minimum severity of events for which SNMP traps
should be sent to saturn [I=Information, W=Warning, E=Error,
S=SevereError]: [b,q,?] E
```

**4 Add more SNMP consoles, if necessary.**

- If you want to add another SNMP console, enter `y` and provide the required information at the prompt.

```
Would you like to add another SNMP console? [y,n,q,b] (n) y
Enter the SNMP console system name: [b,q,?] jupiter
Enter the minimum severity of events for which SNMP traps
should be sent to jupiter [I=Information, W=Warning,
E=Error, S=SevereError]: [b,q,?] S
```

- If you do not want to add, answer `n`.

```
Would you like to add another SNMP console? [y,n,q,b] (n)
```

## 5 Verify and confirm the SNMP notification information.

```
NIC: hme0
```

```
SNMP Port: 162
```

```
Console: saturn receives SNMP traps for Error or  
higher events
```

```
Console: jupiter receives SNMP traps for SevereError or  
higher events
```

```
Is this information correct? [y,n,q] (y)
```

# Configuring global clusters

If you had installed a valid HA/DR license, the installer provides you an option to configure this cluster as global cluster. If not, the installer proceeds to configure VCS based on the configuration details you provided. You can also run the `gcoconfig` utility in each cluster later to update the VCS configuration file for global cluster.

You can configure global clusters to link clusters at separate locations and enable wide-area failover and disaster recovery. The installer adds basic global cluster information to the VCS configuration file. You must perform additional configuration tasks to set up a global cluster.

See the *Veritas Cluster Server Administrator's Guide* for instructions to set up VCS global clusters.

---

**Note:** If you installed a HA/DR license to set up replicated data cluster or campus cluster, skip this installer option.

---

### To configure the global cluster option

- 1 Review the required information to configure the global cluster option.
- 2 Specify whether you want to configure the global cluster option.

```
Do you want to configure the Global Cluster Option? [y,n,q] (n) y
```

If you skip this option, the installer proceeds to configure VCS based on the configuration details you provided.

### 3 Provide information to configure this cluster as global cluster.

The installer prompts you for a NIC, a virtual IP address, and value for the netmask.

If you had entered virtual IP address details, the installer discovers the values you entered. You can use the same virtual IP address for global cluster configuration or enter different values.

You can also enter an IPv6 address as a virtual IP address.

### 4 Verify and confirm the configuration of the global cluster. For example:

For IPv4:           Global Cluster Option configuration verification:

```
NIC: hme0
IP: 192.168.1.16
Netmask: 255.255.240.0
```

Is this information correct? [y,n,q] (y)

On Solaris x64, an example for the NIC's port is hme0.

For IPv6           Global Cluster Option configuration verification:

```
NIC: hme0
IP: 2001:454e:205a:110:203:baff:feee:10
Prefix: 64
```

Is this information correct? [y,n,q] (y)

On Solaris x64, an example for the NIC's port is hme0.

## Completing the VCS configuration

After you enter the VCS configuration information, the installer prompts to stop the VCS processes to complete the configuration process. The installer continues to create configuration files and copies them to each system. The installer also configures a cluster UUID value for the cluster at the end of the configuration. After the installer successfully configures VCS, it restarts VCS and its related processes.

**To complete the VCS configuration**

- 1 If prompted, press Enter at the following prompt.

```
Do you want to stop VCS processes now? [y,n,q,?] (y)
```

- 2 Review the output as the installer stops various processes and performs the configuration. The installer then restarts VCS and its related processes.

- 3 Enter y at the prompt to send the installation information to Symantec.

```
Would you like to send the information about this installation
to Symantec to help improve installation in the future?
[y,n,q,?] (y) y
```

- 4 After the installer configures VCS successfully, note the location of summary, log, and response files that installer creates.

The files provide the useful information that can assist you with the configuration and can also assist future configurations.

summary file	Describes the cluster and its configured resources.
log file	Details the entire configuration.
response file	Contains the configuration information that can be used to perform secure or unattended installations on other systems.

See [“Configuring VCS using response files”](#) on page 160.

## Verifying and updating licenses on the system

After you install VCS, you can verify the licensing information using the vxlicrep program. You can replace the demo licenses with a permanent license.

See [“Checking licensing information on the system”](#) on page 124.

See [“Updating product licenses using vxlicinst”](#) on page 125.

### Checking licensing information on the system

You can use the vxlicrep program to display information about the licenses on a system.

### To check licensing information

- 1 Navigate to the folder containing the `vxlicrep` program and enter:

```
# vxlicrep
```

- 2 Review the following output to determine the following information:

- The license key
- The type of license
- The product for which it applies
- Its expiration date, if any. Demo keys have expiration dates. Permanent keys and site keys do not have expiration dates.

```
License Key           = xxx-xxx-xxx-xxx-xxx
Product Name         = Veritas Cluster Server
Serial Number        = xxxxxx
License Type         = PERMANENT
OEM ID               = xxxxxx
```

```
Features :=
Platform   = Solaris
Version    = 6.0
Tier       = 0
Reserved   = 0
Mode       = VCS
```

## Updating product licenses using vxlicinst

You can use the `vxlicinst` command to add the VCS license key on each node. If you have VCS already installed and configured and you use a demo license, you can replace the demo license.

See [“Replacing a VCS demo license with a permanent license”](#) on page 126.

### To update product licenses

- ◆ On each node, enter the license key using the command:

```
# vxlicinst -k XXXX-XXXX-XXXX-XXXX-XXXX-XXX
```

## Replacing a VCS demo license with a permanent license

When a VCS demo key license expires, you can replace it with a permanent license using the `vxlicinst(1)` program.

### To replace a demo key

- 1 Make sure you have permissions to log in as root on each of the nodes in the cluster.

- 2 Shut down VCS on all nodes in the cluster:

```
# hastop -all -force
```

This command does not shut down any running applications.

- 3 Enter the permanent license key using the following command on each node:

```
# vxlicinst -k XXXX-XXXX-XXXX-XXXX-XXXX-XXX
```

- 4 Make sure demo licenses are replaced on all cluster nodes before starting VCS.

```
# vxlicrep
```

- 5 Start VCS on each node:

```
# hastart
```

# Configuring VCS clusters for data integrity

This chapter includes the following topics:

- [Setting up disk-based I/O fencing using `installvcs` program](#)
- [Setting up server-based I/O fencing using `installvcs` program](#)
- [Setting up non-SCSI-3 server-based I/O fencing in virtual environments using `installvcs` program](#)
- [Enabling or disabling the preferred fencing policy](#)

## Setting up disk-based I/O fencing using `installvcs` program

You can configure I/O fencing using the `-fencing` option of the `installvcs` program.

### Initializing disks as VxVM disks

Perform the following procedure to initialize disks as VxVM disks.

To initialize disks as VxVM disks

- 1 List the new external disks or the LUNs as recognized by the operating system.  
On each node, enter:  

```
# devfsadm
```
- 2 To initialize the disks as VxVM disks, use one of the following methods:
  - Use the interactive `vxdiskadm` utility to initialize the disks as VxVM disks.

For more information see the *Veritas Storage Foundation Administrator's Guide*.

- Use the `vxdisksetup` command to initialize a disk as a VxVM disk.

```
# vxdisksetup -i device_name
```

The example specifies the CDS format:

```
# vxdisksetup -i c2t13d0
```

Repeat this command for each disk you intend to use as a coordinator disk.

## Configuring disk-based I/O fencing using installvcs program

---

**Note:** The installer stops and starts VCS to complete I/O fencing configuration. Make sure to unfreeze any frozen VCS service groups in the cluster for the installer to successfully stop VCS.

---

### To set up disk-based I/O fencing using the installvcs program

- 1 Start the `installvcs` program with `-fencing` option.

```
# /opt/VRTS/install/installvcs -fencing
```

The `installvcs` program starts with a copyright message and verifies the cluster information.

Note the location of log files which you can access in the event of any problem with the configuration process.

- 2 Confirm that you want to proceed with the I/O fencing configuration at the prompt.

The program checks that the local node running the script can communicate with remote nodes and checks whether VCS 6.0 is configured properly.

- 3 Review the I/O fencing configuration options that the program presents. Type **2** to configure disk-based I/O fencing.

```
Select the fencing mechanism to be configured in this  
Application Cluster [1-4,b,q] 2
```

- 4 Review the output as the configuration program checks whether VxVM is already started and is running.
  - If the check fails, configure and enable VxVM before you repeat this procedure.

- If the check passes, then the program prompts you for the coordinator disk group information.
- 5 Choose whether to use an existing disk group or create a new disk group to configure as the coordinator disk group.

The program lists the available disk group names and provides an option to create a new disk group. Perform one of the following:

- To use an existing disk group, enter the number corresponding to the disk group at the prompt.  
 The program verifies whether the disk group you chose has an odd number of disks and that the disk group has a minimum of three disks.
- To create a new disk group, perform the following steps:
  - Enter the number corresponding to the **Create a new disk group** option.  
 The program lists the available disks that are in the CDS disk format in the cluster and asks you to choose an odd number of disks with at least three disks to be used as coordinator disks.  
 Symantec recommends that you use three disks as coordination points for disk-based I/O fencing.  
 If the available VxVM CDS disks are less than the required, installer asks whether you want to initialize more disks as VxVM disks. Choose the disks you want to initialize as VxVM disks and then use them to create new disk group.
  - Enter the numbers corresponding to the disks that you want to use as coordinator disks.
  - Enter the disk group name.

- 6 Verify that the coordinator disks you chose meet the I/O fencing requirements.

You must verify that the disks are SCSI-3 PR compatible using the `vxfcntlshdw` utility and then return to this configuration program.

See [“Checking shared disks for I/O fencing”](#) on page 130.

- 7 After you confirm the requirements, the program creates the coordinator disk group with the information you provided.

- 8 Enter the I/O fencing disk policy that you chose to use. For example:

```
Enter disk policy for the disk(s) (raw/dmp): [b,q,?] raw
```

The program also does the following:

- Populates the `/etc/vxfendg` file with this disk group information

- Populates the `/etc/vxfenmode` file on each cluster node with the I/O fencing mode information and with the SCSI-3 disk policy information
- 9 Verify and confirm the I/O fencing configuration information that the installer summarizes.
  - 10 Review the output as the configuration program does the following:
    - Stops VCS and I/O fencing on each node.
    - Configures disk-based I/O fencing and starts the I/O fencing process.
    - Updates the VCS configuration file `main.cf` if necessary.
    - Copies the `/etc/vxfenmode` file to a date and time suffixed file `/etc/vxfenmode-date-time`. This backup file is useful if any future fencing configuration fails.
    - Starts VCS on each node to make sure that the VCS is cleanly configured to use the I/O fencing feature.
  - 11 Review the output as the configuration program displays the location of the log files, the summary files, and the response files.
  - 12 Configure the Coordination Point agent to monitor the coordinator disks.  
See [“Configuring CoordPoint agent to monitor coordination points”](#) on page 219.

## Checking shared disks for I/O fencing

Make sure that the shared storage you set up while preparing to configure VCS meets the I/O fencing requirements. You can test the shared disks using the `vxfentsthdw` utility. The two nodes must have `ssh` (default) or `rsh` communication. To confirm whether a disk (or LUN) supports SCSI-3 persistent reservations, two nodes must simultaneously have access to the same disks. Because a shared disk is likely to have a different name on each node, check the serial number to verify the identity of the disk. Use the `vxfenadm` command with the `-i` option. This command option verifies that the same serial number for the LUN is returned on all paths to the LUN.

Make sure to test the disks that serve as coordinator disks.

The `vxfentsthdw` utility has additional options suitable for testing many disks. Review the options for testing the disk groups (`-g`) and the disks that are listed in a file (`-f`). You can also test disks without destroying data using the `-r` option.

See the *Veritas Cluster Server Administrator's Guide*.

Checking that disks support SCSI-3 involves the following tasks:

- Verifying the Array Support Library (ASL)

See [“Verifying Array Support Library \(ASL\)”](#) on page 131.

- Verifying that nodes have access to the same disk  
 See [“Verifying that the nodes have access to the same disk”](#) on page 132.
- Testing the shared disks for SCSI-3  
 See [“Testing the disks using vxfcntl utility”](#) on page 132.

## Verifying Array Support Library (ASL)

Make sure that the Array Support Library (ASL) for the array that you add is installed.

### To verify Array Support Library (ASL)

- 1 If the Array Support Library (ASL) for the array that you add is not installed, obtain and install it on each node before proceeding.

The ASL for the supported storage device that you add is available from the disk array vendor or Symantec technical support.

- 2 Verify that the ASL for the disk array is installed on each of the nodes. Run the following command on each node and examine the output to verify the installation of ASL.

The following output is a sample:

```
# vxddladm listsupport all
```

LIBNAME	VID	PID
libvx3par.so	3PARdata	VV
libvxCLARiiON.so	DGC	All
libvxFJTSYe6k.so	FUJITSU	E6000
libvxFJTSYe8k.so	FUJITSU	All
libvxap.so	SUN	All
libvxatf.so	VERITAS	ATFNODES
libvxcompellent.so	COMPELNT	Compellent Vol
libvxcopan.so	COPANSYS	8814, 8818

- 3 Scan all disk drives and their attributes, update the VxVM device list, and reconfigure DMP with the new devices. Type:

```
# vxdisk scandisks
```

See the Veritas Volume Manager documentation for details on how to add and configure disks.

## Verifying that the nodes have access to the same disk

Before you test the disks that you plan to use as shared data storage or as coordinator disks using the `vxftsthdw` utility, you must verify that the systems see the same disk.

### To verify that the nodes have access to the same disk

- 1 Verify the connection of the shared storage for data to two of the nodes on which you installed VCS.
- 2 Ensure that both nodes are connected to the same disk during the testing. Use the `vxfenadm` command to verify the disk serial number.

```
# vxfenadm -i diskpath
```

Refer to the `vxfenadm` (1M) manual page.

For example, an EMC disk is accessible by the `/dev/rdisk/c1t1d0s2` path on node A and the `/dev/rdisk/c2t1d0s2` path on node B.

From node A, enter:

```
# vxfenadm -i /dev/rdisk/c1t1d0s2
```

```
Vendor id : EMC
Product id : SYMMETRIX
Revision : 5567
Serial Number : 42031000a
```

The same serial number information should appear when you enter the equivalent command on node B using the `/dev/rdisk/c2t1d0s2` path.

On a disk from another manufacturer, Hitachi Data Systems, the output is different and may resemble:

```
# vxfenadm -i /dev/rdisk/c3t1d2s2
```

```
Vendor id      : HITACHI
Product id     : OPEN-3          -SUN
Revision       : 0117
Serial Number  : 0401EB6F0002
```

## Testing the disks using vxftsthdw utility

This procedure uses the `/dev/rdisk/c1t1d0s2` disk in the steps.

If the utility does not show a message that states a disk is ready, the verification has failed. Failure of verification can be the result of an improperly configured disk array. The failure can also be due to a bad disk.

If the failure is due to a bad disk, remove and replace it. The `vxfcntlshdw` utility indicates a disk can be used for I/O fencing with a message resembling:

```
The disk /dev/rdisk/clt1d0s2 is ready to be configured for I/O Fencing on
node galaxy
```

For more information on how to replace coordinator disks, refer to the *Veritas Cluster Server Administrator's Guide*.

### To test the disks using `vxfcntlshdw` utility

- 1 Make sure system-to-system communication functions properly.

See [“Setting up inter-system communication”](#) on page 449.

- 2 From one node, start the utility.

Run the utility with the `-n` option if you use `rsh` for communication.

```
# vxfcntlshdw [-n]
```

- 3 The script warns that the tests overwrite data on the disks. After you review the overview and the warning, confirm to continue the process and enter the node names.

---

**Warning:** The tests overwrite and destroy data on the disks unless you use the `-r` option.

---

```
***** WARNING!!!!!!!!!! *****
```

```
THIS UTILITY WILL DESTROY THE DATA ON THE DISK!!
```

```
Do you still want to continue : [y/n] (default: n) y
```

```
Enter the first node of the cluster: galaxy
```

```
Enter the second node of the cluster: nebula
```

- 4 Enter the names of the disks that you want to check. Each node may know the same disk by a different name:

```
Enter the disk name to be checked for SCSI-3 PGR on node
IP_adrs_of_galaxy in the format:
for dmp: /dev/vx/rdmp/cxtxdxsx
for raw: /dev/rdisk/cxtxdxsx
Make sure it's the same disk as seen by nodes
IP_adrs_ofgalaxy and IP_adrs_of_nebula
    /dev/rdsk/c2t13d0s2
```

```
Enter the disk name to be checked for SCSI-3 PGR on node
IP_adrs_of_nebula in the format:
for dmp: /dev/vx/rdmp/cxtxdxsx
for raw: /dev/rdisk/cxtxdxsx
Make sure it's the same disk as seen by nodes
IP_adrs_ofgalaxy and IP_adrs_of_nebula
    /dev/rdsk/c2t13d0s2
```

If the serial numbers of the disks are not identical, then the test terminates.

- 5 Review the output as the utility performs the checks and reports its activities.
- 6 If a disk is ready for I/O fencing on each node, the utility reports success for each node. For example, the utility displays the following message for the node galaxy.

```
The disk is now ready to be configured for I/O Fencing on node
galaxy
```

```
ALL tests on the disk /dev/rdsk/c1t1d0s2 have PASSED
The disk is now ready to be configured for I/O Fencing on node
galaxy
```

- 7 Run the vxfsentsthdw utility for each disk you intend to verify.

## Setting up server-based I/O fencing using installvcs program

See [“Setting up server-based I/O fencing using installvcs program”](#) on page 134.

# Setting up non-SCSI-3 server-based I/O fencing in virtual environments using installvcs program

If you have installed VCS in virtual environments that do not support SCSI-3 PR-compliant storage, you can configure non-SCSI-3 fencing.

## To configure I/O fencing using the installvcs program in a non-SCSI-3 PR-compliant setup

- 1 Start the installvcs program with `-fencing` option.

```
# /opt/VRTS/install/installvcs -fencing
```

The installvcs program starts with a copyright message and verifies the cluster information.

- 2 Confirm that you want to proceed with the I/O fencing configuration at the prompt.

The program checks that the local node running the script can communicate with remote nodes and checks whether VCS 6.0 is configured properly.

- 3 Review the I/O fencing configuration options that the program presents. Type **1** to configure server-based I/O fencing.

```
Select the fencing mechanism to be configured in this
Application Cluster
[1-4,b,q] 1
```

- 4 Enter **n** to confirm that your storage environment does not support SCSI-3 PR.

```
Does your storage environment support SCSI3 PR?
[y,n,q] (y) n
```

- 5 Confirm that you want to proceed with the non-SCSI-3 I/O fencing configuration at the prompt.

- 6 Enter the number of CP server coordination points you want to use in your setup.

- 7 Enter the following details for each CP server:

- Enter the virtual IP address or the fully qualified host name.
- Enter the port address on which the CP server listens for connections. The default value is 14250. You can enter a different port address. Valid values are between 49152 and 65535.

The installer assumes that these values are identical from the view of the VCS cluster nodes that host the applications for high availability.

- 8 Verify and confirm the CP server information that you provided.
- 9 Verify and confirm the VCS cluster configuration information.

Review the output as the installer performs the following tasks:

- Updates the CP server configuration files on each CP server with the following details:
    - Registers each node of the VCS cluster with the CP server.
    - Adds CP server user to the CP server.
    - Adds VCS cluster to the CP server user.
  - Updates the following configuration files on each node of the VCS cluster
    - `/etc/vxfenmode` file
    - `/etc/vxenvirom` file
    - `/etc/llttab` file
- 10 Review the output as the installer stops VCS on each node, starts I/O fencing on each node, updates the VCS configuration file `main.cf`, and restarts VCS with non-SCSI-3 server-based fencing.

Confirm to configure the CP agent on the VCS cluster.

- 11 Confirm whether you want to send the installation information to Symantec.
- 12 After the installer configures I/O fencing successfully, note the location of summary, log, and response files that installer creates.

The files provide useful information which can assist you with the configuration, and can also assist future configurations.

## Enabling or disabling the preferred fencing policy

You can enable or disable the preferred fencing feature for your I/O fencing configuration.

You can enable preferred fencing to use system-based race policy or group-based race policy. If you disable preferred fencing, the I/O fencing configuration uses the default count-based race policy.

See [“About preferred fencing”](#) on page 31.

### To enable preferred fencing for the I/O fencing configuration

- 1 Make sure that the cluster is running with I/O fencing set up.

```
# vxfenadm -d
```

- 2 Make sure that the cluster-level attribute UseFence has the value set to SCSI3.

```
# haclus -value UseFence
```

- 3 To enable system-based race policy, perform the following steps:

- Make the VCS configuration writable.

```
# haconf -makerw
```

- Set the value of the cluster-level attribute PreferredFencingPolicy as System.

```
# haclus -modify PreferredFencingPolicy System
```

- Set the value of the system-level attribute FencingWeight for each node in the cluster.

For example, in a two-node cluster, where you want to assign galaxy five times more weight compared to nebula, run the following commands:

```
# hasys -modify galaxy FencingWeight 50
# hasys -modify nebula FencingWeight 10
```

- Save the VCS configuration.

```
# haconf -dump -makero
```

- 4 To enable group-based race policy, perform the following steps:

- Make the VCS configuration writable.

```
# haconf -makerw
```

- Set the value of the cluster-level attribute PreferredFencingPolicy as Group.

```
# haclus -modify PreferredFencingPolicy Group
```

- Set the value of the group-level attribute Priority for each service group. For example, run the following command:

```
# hagrps -modify service_group Priority 1
```

Make sure that you assign a parent service group an equal or lower priority than its child service group. In case the parent and the child service groups are hosted in different subclusters, then the subcluster that hosts the child service group gets higher preference.

- Save the VCS configuration.

```
# haconf -dump -makero
```

- 5 To view the fencing node weights that are currently set in the fencing driver, run the following command:

```
# vxfenconfig -a
```

### To disable preferred fencing for the I/O fencing configuration

- 1 Make sure that the cluster is running with I/O fencing set up.

```
# vxfenadm -d
```

- 2 Make sure that the cluster-level attribute UseFence has the value set to SCSI3.

```
# haclus -value UseFence
```

- 3 To disable preferred fencing and use the default race policy, set the value of the cluster-level attribute PreferredFencingPolicy as Disabled.

```
# haconf -makerw
```

```
# haclus -modify PreferredFencingPolicy Disabled
```

```
# haconf -dump -makero
```

# 4

## Section

# Installation using the Web-based installer

- [Chapter 10. Installing VCS](#)
- [Chapter 11. Configuring VCS](#)

# Installing VCS

This chapter includes the following topics:

- [Before using the Veritas Web-based installer](#)
- [Starting the Veritas Web-based installer](#)
- [Obtaining a security exception on Mozilla Firefox](#)
- [Performing a pre-installation check with the Veritas Web-based installer](#)
- [Installing VCS with the Web-based installer](#)

## Before using the Veritas Web-based installer

The Veritas Web-based installer requires the following configuration.

**Table 10-1** Web-based installer requirements

System	Function	Requirements
Target system	The systems where you plan to install the Veritas products.	Must be a supported platform for VCS 6.0.
Installation server	The server where you start the installation. The installation media is accessible from the installation server.	Must use the same operating system as the target systems and must be at one of the supported operating system update levels.

**Table 10-1** Web-based installer requirements (*continued*)

System	Function	Requirements
Administrative system	The system where you run the Web browser to perform the installation.	Must have a Web browser. Supported browsers: <ul style="list-style-type: none"><li>■ Internet Explorer 6, 7, and 8</li><li>■ Firefox 3.x and later</li></ul>

## Starting the Veritas Web-based installer

This section describes starting the Veritas Web-based installer.

### To start the Web-based installer

- 1 Start the Veritas XPortal Server process `xprt1wid`, on the installation server:

```
# ./webinstaller start
```

The webinstaller script displays a URL. Note this URL.

---

**Note:** If you do not see the URL, run the command again.

The default listening port is 14172. If you have a firewall that blocks port 14172, use the `-port` option to use a free port instead.

---

- 2 On the administrative server, start the Web browser.
- 3 Navigate to the URL that the script displayed.
- 4 Certain browsers may display the following message:

```
Secure Connection Failed
```

Obtain a security exception for your browser.

When prompted, enter `root` and root's password of the installation server.

- 5 Log in as superuser.

## Obtaining a security exception on Mozilla Firefox

You may need to get a security exception on Mozilla Firefox.

The following instructions are general. They may change because of the rapid release cycle of Mozilla browsers.

**To obtain a security exception**

- 1 Click **Or you can add an exception** link.
- 2 Click **Add Exception** button.
- 3 Click **Get Certificate** button.
- 4 Uncheck **Permanently Store this exception checkbox (recommended)**.
- 5 Click **Confirm Security Exception** button.
- 6 Enter root in User Name field and root password of the web server in the Password field.

## Performing a pre-installation check with the Veritas Web-based installer

This section describes performing a pre-installation check with the Veritas Web-based installer.

**To perform a pre-installation check**

- 1 Start the Web-based installer.  
See [“Starting the Veritas Web-based installer”](#) on page 141.
- 2 On the Select a task and a product page, select **Perform a Pre-installation Check** from the **Task** drop-down list.
- 3 Select the Veritas Cluster Server from the **Product** drop-down list, and click **Next**.
- 4 Indicate the systems on which to perform the precheck. Enter one or more system names, separated by spaces. Click **Next**.
- 5 The installer performs the precheck and displays the results.
- 6 If the validation completes successfully, click **Next**. The installer prompts you to begin the installation. Click **Yes** to install on the selected system. Click **No** to install later.
- 7 Click **Finish**. The installer prompts you for another task.

## Installing VCS with the Web-based installer

This section describes installing VCS with the Veritas Web-based installer.

### To install VCS using the Web-based installer

- 1 Perform preliminary steps.  
See “Performing a pre-installation check with the Veritas Web-based installer” on page 142.
- 2 Start the Web-based installer.  
See “Starting the Veritas Web-based installer” on page 141.
- 3 Select **Install a Product** from the **Task** drop-down list.
- 4 Select **Veritas Cluster Server (VCS)** from the Product drop-down list, and click **Next**.
- 5 On the License agreement page, read the End User License Agreement (EULA). To continue, select **Yes, I agree** and click **Next**.
- 6 Choose minimal, recommended, or all packages. Click **Next**.
- 7 Indicate the systems where you want to install. Separate multiple system names with spaces. Click **Next**.
- 8 If you have not yet configured a communication mode among systems, you have the option to let the installer configure ssh or rsh. If you choose to allow this configuration, select the communication mode and provide the superuser passwords for the systems.
- 9 After the validation completes successfully, click **Next** to install VCS on the selected system.
- 10 After the installation completes, you must choose your licensing method.  
On the license page, select one of the following tabs:

- Keyless licensing

---

**Note:** The keyless license option enables you to install without entering a key. However, in order to ensure compliance you must manage the systems with a management server.

For more information, go to the following website:

<http://go.symantec.com/sfhakeyless>

---

Complete the following information:

- Choose whether you want to enable Global Cluster option.  
Click **Register**.
- Enter license key

If you have a valid license key, select this tab. Enter the license key for each system. Click **Register**.

- 11 The installer prompts you to configure the cluster. Select **Yes** to continue with configuring the product.

If you select **No**, you can exit the installer. You must configure the product before you can use VCS.

After the installation completes, the installer displays the location of the log and summary files. If required, view the files to confirm the installation status.

- 12 If prompted, select the checkbox to specify whether you want to send your installation information to Symantec.

Would you like to send the information about this installation to Symantec to help improve installation in the future?

Click **Finish**. The installer prompts you for another task.

# Configuring VCS

This chapter includes the following topics:

- [Configuring VCS using the Web-based installer](#)

## Configuring VCS using the Web-based installer

Before you begin to configure VCS using the Web-based installer, review the configuration requirements.

See [“Getting your VCS installation and configuration information ready”](#) on page 68.

By default, the communication between the systems is selected as SSH. If SSH is used for communication between systems, the SSH commands execute without prompting for passwords or confirmations.

You can click **Quit** to quit the Web-installer at any time during the configuration process.

### To configure VCS on a cluster

- 1 Start the Web-based installer.

See [“Starting the Veritas Web-based installer”](#) on page 141.

- 2 On the Select a task and a product page, select the task and the product as follows:

<b>Task</b>	Configure a Product
<b>Product</b>	Veritas Cluster Server

Click **Next**.

- 3 On the Select Systems page, enter the system names where you want to configure VCS, and click **Next**.

Example: **galaxy nebula**

The installer performs the initial system verification. It checks for the system communication. It also checks for release compatibility, installed product version, platform version, and performs product prechecks.

Click **Next** after the installer completes the system verification successfully.

- 4 In the Confirmation dialog box that appears, choose whether or not to configure I/O fencing.

To configure I/O fencing, click **Yes**.

To configure I/O fencing later, click **No**. You can configure I/O fencing later using the Web-based installer.

See [“Configuring VCS for data integrity using the Web-based installer”](#) on page 150.

You can also configure I/O fencing later using the `installvcs -fencing` command, the response files, or manually configure.

- 5 On the Set Cluster Name/ID page, specify the following information for the cluster.

<b>Cluster Name</b>	Enter a unique cluster name.
<b>Cluster ID</b>	Enter a unique cluster ID.  Note that you can have the installer check to see if the cluster ID is unique. Symantec recommends that you use the installer to check for duplicate cluster IDs in multi-cluster environments.
<b>Check duplicate cluster ID</b>	Select the check box if you want the installer to verify if the given cluster ID is unique in your private network. The verification is performed after you specify the heartbeat details in the following pages. The verification takes some time to complete.
<b>LLT Type</b>	Select an LLT type from the list. You can choose to configure LLT over UDP or over Ethernet.  If you choose <b>Auto detect over Ethernet</b> , the installer auto-detects the LLT links over Ethernet. Verify the links and click <b>Yes</b> in the Confirmation dialog box. Skip to step 7. If you click <b>No</b> , you must manually enter the details to configure LLT over Ethernet.
<b>Number of Heartbeats</b>	Choose the number of heartbeat links you want to configure.
<b>NICs</b>	Choose the NICs that you want to configure.
<b>Additional Low Priority Heartbeat NIC</b>	Select the check box if you want to configure a low priority link. The installer configures one heartbeat link as low priority link.
<b>Unique Heartbeat NICs per system</b>	For LLT over Ethernet, select the check box if you do not want to use the same NIC details to configure private heartbeat links on other systems.  For LLT over UDP, this check box is selected by default.

Click **Next**.

- 6 On the Set Cluster Heartbeat page, select the heartbeat link details for the LLT type you chose on the Set Cluster Name/ID page.

For **LLT over Ethernet**: Do the following:

- If you are using the same NICs on all the systems, select the NIC for each private heartbeat link.
- If you had selected **Unique Heartbeat NICs per system** on the Set Cluster Name/ID page, provide the NIC details for each system.

For **LLT over UDP**: Select the NIC, Port, and IP address for each private heartbeat link. You must provide these details for each system.

Click **Next**.

- 7 On the Optional Configuration page, decide the optional VCS features that you want to configure. Click the corresponding tab to specify the details for each option:

**Virtual IP**

- Select the **Configure Virtual IP** check box.
- If each system uses a separate NIC, select the **Configure NICs for every system separately** check box.
- Select the interface on which you want to configure the virtual IP.
- Enter a virtual IP address and value for the netmask. You can use an IPv4 or an IPv6 address.

**VCS Users**

- Reset the password for the Admin user, if necessary.
- Select the **Configure VCS users** option.
- Click **Add** to add a new user.  
Specify the user name, password, and user privileges for this user.

**SMTP**

- Select the **Configure SMTP** check box.
- If each system uses a separate NIC, select the **Configure NICs for every system separately** check box.
- If all the systems use the same NIC, select the NIC for the VCS Notifier to be used on all systems. If not, select the NIC to be used by each system.
- In the **SMTP Server** box, enter the domain-based hostname of the SMTP server. Example: smtp.yourcompany.com
- In the **Recipient** box, enter the full email address of the SMTP recipient. Example: user@yourcompany.com.
- In the **Event** list box, select the minimum security level of messages to be sent to each recipient.
- Click **Add** to add more SMTP recipients, if necessary.

**SNMP**

- Select the **Configure SNMP** check box.
- If each system uses a separate NIC, select the **Configure NICs for every system separately** check box.
- If all the systems use the same NIC, select the NIC for the VCS Notifier to be used on all systems. If not, select the NIC to be used by each system.
- In the **SNMP Port** box, enter the SNMP trap daemon port: (162).
- In the **Console System Name** box, enter the SNMP console system name.
- In the **Event** list box, select the minimum security level of messages to be sent to each console.
- Click **Add** to add more SNMP consoles, if necessary.

**GCO**

If you installed a valid HA/DR license, you can now enter the wide-area heartbeat link details for the global cluster that you would set up later.

See the *Veritas Cluster Server Administrator's Guide* for instructions to set up VCS global clusters.

- Select the **Configure GCO** check box.
- If each system uses a separate NIC, select the **Configure NICs for every system separately** check box.
- Select a NIC.
- Enter a virtual IP address and value for the netmask. You can use an IPv4 or an IPv6 address.

**Security**

To configure a secure VCS cluster, select the **Configure secure cluster** check box.

If you want to perform this task later, do not select the **Configure secure cluster** check box. You can use the `-security` option of the `installvcs` program.

Click **Next**.

- 8 On the Stop Processes page, click **Next** after the installer stops all the processes successfully.
- 9 On the Start Processes page, click **Next** after the installer performs the configuration based on the details you provided and starts all the processes successfully.

If you did not choose to configure I/O fencing in step 4, then skip to step 11. Go to step 10 to configure fencing.

- 10 On the Select Fencing Type page, choose the type of fencing configuration:

**Configure Coordination Point client based fencing** Choose this option to configure server-based I/O fencing.

**Configure disk based fencing** Choose this option to configure disk-based I/O fencing.

Based on the fencing type you choose to configure, follow the installer prompts.

See [“Configuring VCS for data integrity using the Web-based installer”](#) on page 150.

- 11 Click **Next** to complete the process of configuring VCS.

On the Completion page, view the summary file, log file, or response file, if needed, to confirm the configuration.

- 12 Select the checkbox to specify whether you want to send your installation information to Symantec.

Click **Finish**. The installer prompts you for another task.

## Configuring VCS for data integrity using the Web-based installer

After you configure VCS, you must configure the cluster for data integrity. Review the configuration requirements.

See [“Configuring VCS using the Web-based installer”](#) on page 145.

See [“About planning to configure I/O fencing”](#) on page 81.

### To configure VCS for data integrity

- 1 Start the Web-based installer.

See [“Starting the Veritas Web-based installer”](#) on page 141.

- 2 On the Select a task and a product page, select the task and the product as follows:

**Task** I/O fencing configuration

**Product** Veritas Cluster Server

Click **Next**.

- 3 Verify the cluster information that the installer presents and confirm whether you want to configure I/O fencing on the cluster.

- 4 On the Select Cluster page, click **Next** if the installer completes the cluster verification successfully.

The installer performs the initial system verification. It checks for the system communication. It also checks for release compatibility, installed product version, platform version, and performs product prechecks.
- 5 On the Select Fencing Type page, choose whether to configure disk-based fencing or server-based fencing.

If you chose to configure disk-based fencing, go to step 7.

If you chose to configure server-based fencing, go to step 10.
- 6 In the Confirmation dialog box that appears, confirm whether your storage environment supports SCSI-3 PR.

You can configure non-SCSI-3 server-based fencing in a virtual environment that is not SCSI-3 PR compliant.
- 7 On the Configure Fencing page, the installer prompts for details based on the fencing type you chose to configure. Specify the coordination points details.

Click **Next**.
- 8 On the Configure Fencing page, specify the following information:

**Select a Disk Group** Select the **Create a new disk group** option or select one of the disk groups from the list.

  - If you selected one of the disk groups that is listed, choose the fencing disk policy for the disk group.

Go to step 16.
  - If you selected the **Create a new disk group** option, make sure you have SCSI-3 PR enabled disks, and click **Yes** in the confirmation dialog box.

Click **Next**. Go to step 9.

- 9 On the Create New DG page, specify the following information:

**New Disk Group Name** Enter a name for the new coordinator disk group you want to create.

**Select Disks** Select at least three disks to create the coordinator disk group.

If you want to select more than three disks, make sure to select an odd number of disks.

**Fencing Disk Policy** Choose the fencing disk policy for the disk group.

Go to step 16.

- 10 On the Configure Fencing page, the installer prompts for details based on the fencing type you chose to configure. Specify the coordination points details.

Click **Next**.

- 11 Provide the following details for each of the CP servers:

- Enter the virtual IP addresses or host names of the virtual IP address. The installer assumes these values to be identical as viewed from all the application cluster nodes.
- Enter the port that the CP server must listen on.
- Click **Next**.

- 12 If your server-based fencing configuration also uses disks as coordination points, perform the following steps:

- If you have not already checked the disks for SCSI-3 PR compliance, check the disks now, and click **OK** in the dialog box.
- If you do not want to use the default coordinator disk group name, enter a name for the new coordinator disk group you want to create.
- Select the disks to create the coordinator disk group.
- Choose the fencing disk policy for the disk group.

- 13 In the Confirmation dialog box that appears, confirm whether the coordination points information you provided is correct, and click **Yes**.

- 14 Verify and confirm the I/O fencing configuration information.

The installer stops and restarts the VCS and the fencing processes on each application cluster node, and completes the I/O fencing configuration.

- 15 Configure the CP agent on the VCS (application cluster), and click **Next**.

- 16 Click **Next** to complete the process of configuring I/O fencing.  
On the Completion page, view the summary file, log file, or response file, if needed, to confirm the configuration.
- 17 Select the checkbox to specify whether you want to send your installation information to Symantec.  
Click **Finish**. The installer prompts you for another task.

# Installation using response files

- [Chapter 12. Performing automated VCS installation](#)
- [Chapter 13. Performing automated VCS configuration](#)
- [Chapter 14. Performing automated I/O fencing configuration for VCS](#)

# Performing automated VCS installation

This chapter includes the following topics:

- [Installing VCS using response files](#)
- [Response file variables to install VCS](#)
- [Sample response file for installing VCS](#)

## Installing VCS using response files

Typically, you can use the response file that the installer generates after you perform VCS installation on one cluster to install VCS on other clusters. You can also create a response file using the `-makeresponsefile` option of the installer.

### To install VCS using response files

- 1 Make sure the systems where you want to install VCS meet the installation requirements.  
See [“Important preinstallation information for VCS”](#) on page 32.
- 2 Make sure the preinstallation tasks are completed.  
See [“Performing preinstallation tasks”](#) on page 54.
- 3 Copy the response file to one of the cluster systems where you want to install VCS.  
See [“Sample response file for installing VCS”](#) on page 158.
- 4 Edit the values of the response file variables as necessary.  
See [“Response file variables to install VCS”](#) on page 156.

- 5 Mount the product disc and navigate to the directory that contains the installation program.
- 6 Start the installation from the system to which you copied the response file. For example:

```
# ./installer -responsefile /tmp/response_file  
# ./installvcs -responsefile /tmp/response_file
```

Where `/tmp/response_file` is the response file's full path name.

## Response file variables to install VCS

[Table 12-1](#) lists the response file variables that you can define to install VCS.

**Table 12-1** Response file variables specific to installing VCS

Variable	List or Scalar	Description
CFG{opt}{install}	Scalar	Installs VCS packages. (Required)
CFG{accepteula}	Scalar	Specifies whether you agree with EULA.pdf on the media. (Required)
CFG{systems}	List	List of systems on which the product is to be installed. Required
CFG{prod}	Scalar	Defines the product to be installed. The value is VCS60 for VCS. (Required)

**Table 12-1** Response file variables specific to installing VCS (*continued*)

Variable	List or Scalar	Description
CFG{opt}{installallpkgs} or CFG{opt}{installrecpkgs} or CFG{opt}{installminpkgs}	Scalar	Instructs the installer to install VCS packages based on the variable that has the value set to 1: <ul style="list-style-type: none"> <li>■ installallpkgs: Installs all packages</li> <li>■ installrecpkgs: Installs recommended packages</li> <li>■ installminpkgs: Installs minimum packages</li> </ul> <p><b>Note:</b> The installer requires only one of these variable values to be set to 1.</p> (Required)
CFG{opt}{rsh}	Scalar	Defines that <i>rsh</i> must be used instead of <i>ssh</i> as the communication method between systems.  (Optional)
CFG{opt}{gco}	Scalar	Defines that the installer must enable the global cluster option. You must set this variable value to 1 if you want to configure global clusters.  (Optional)
CFG{opt}{keyfile}	Scalar	Defines the location of an <i>ssh</i> keyfile that is used to communicate with all remote systems.  (Optional)
CFG{opt}{patchpath}	Scalar	Defines a location, typically an NFS mount, from which all remote systems can install product patches. The location must be accessible from all target systems.  (Optional)

**Table 12-1** Response file variables specific to installing VCS (*continued*)

Variable	List or Scalar	Description
CFG{opt}{pkgpath}	Scalar	Defines a location, typically an NFS mount, from which all remote systems can install product packages. The location must be accessible from all target systems.  (Optional)
CFG{opt}{tmppath}	Scalar	Defines the location where a working directory is created to store temporary files and the packages that are needed during the install. The default location is /var/tmp.  (Optional)
CFG{opt}{logpath}	Scalar	Mentions the location where the log files are to be copied. The default location is /opt/VRTS/install/logs.  <b>Note:</b> The installer copies the response files and summary files also to the specified <i>logpath</i> location.  (Optional)
CFG{opt}{vxkeyless}	Scalar	Installs the product with keyless license if the value is set to 1. If the value is set to 0, you must define the CFG{keys}{system} variable with the license keys.  (Optional)
CFG{keys} {system}	Scalar	List of keys to be registered on the system if the variable \$CFG{opt}{vxkeyless} is set to 0.  (Optional)

## Sample response file for installing VCS

Review the response file variables and their definitions.

See [“Response file variables to install VCS”](#) on page 156.

```
#  
# Configuration Values:  
#  
our %CFG;  
  
$CFG{accepteula}=1;  
$CFG{opt}{install}=1;  
$CFG{opt}{installrecpkgs}=1;  
$CFG{prod}="VCS60";  
$CFG{systems}=[ qw(galaxy nebula) ];  
1;
```

# Performing automated VCS configuration

This chapter includes the following topics:

- [Configuring VCS using response files](#)
- [Response file variables to configure Veritas Cluster Server](#)
- [Sample response file for configuring VCS](#)

## Configuring VCS using response files

Typically, you can use the response file that the installer generates after you perform VCS configuration on one cluster to configure VCS on other clusters. You can also create a response file using the `-makeresponsefile` option of the installer.

### To configure VCS using response files

- 1 Make sure the VCS packages are installed on the systems where you want to configure VCS.
- 2 Copy the response file to one of the cluster systems where you want to configure VCS.

See [“Sample response file for configuring VCS”](#) on page 170.

- 3 Edit the values of the response file variables as necessary.

To configure optional features, you must define appropriate values for all the response file variables that are related to the optional feature.

See [“Response file variables to configure Veritas Cluster Server”](#) on page 161.

- 4 Start the configuration from the system to which you copied the response file. For example:

```
# /opt/VRTS/install/installvcs -responsefile /tmp/response_file
```

Where `/tmp/response_file` is the response file’s full path name.

## Response file variables to configure Veritas Cluster Server

[Table 13-1](#) lists the response file variables that you can define to configure VCS.

**Table 13-1** Response file variables specific to configuring Veritas Cluster Server

Variable	List or Scalar	Description
CFG{opt}{configure}	Scalar	Performs the configuration if the packages are already installed.  (Required)  Set the value to 1 to configure VCS.
CFG{accepteula}	Scalar	Specifies whether you agree with EULA.pdf on the media.  (Required)
CFG{systems}	List	List of systems on which the product is to be configured.  (Required)
CFG{prod}	Scalar	Defines the product to be configured.  The value is VCS60 for VCS.  (Required)
CFG{opt}{keyfile}	Scalar	Defines the location of an ssh keyfile that is used to communicate with all remote systems.  (Optional)

**Table 13-1** Response file variables specific to configuring Veritas Cluster Server  
*(continued)*

Variable	List or Scalar	Description
CFG{opt}{rsh}	Scalar	Defines that <i>rsh</i> must be used instead of <i>ssh</i> as the communication method between systems.  (Optional)
CFG{opt}{logpath}	Scalar	Mentions the location where the log files are to be copied. The default location is <i>/opt/VRTS/install/logs</i> .  <b>Note:</b> The installer copies the response files and summary files also to the specified <i>logpath</i> location.  (Optional)
CFG{uploadlogs}	Scalar	Defines a Boolean value 0 or 1.  The value 1 indicates that the installation logs are uploaded to the Symantec Web site.  The value 0 indicates that the installation logs are not uploaded to the Symantec Web site.  (Optional)

Note that some optional variables make it necessary to define other optional variables. For example, all the variables that are related to the cluster service group (*csgnic*, *csgvip*, and *csgnetmask*) must be defined if any are defined. The same is true for the SMTP notification (*smtpserver*, *smtprecp*, and *smtpsev*), the SNMP trap notification (*snmpport*, *snmpcons*, and *snmpcsev*), and the Global Cluster Option (*gconic*, *gcovip*, and *gconetmask*).

[Table 13-2](#) lists the response file variables that specify the required information to configure a basic VCS cluster.

**Table 13-2** Response file variables specific to configuring a basic VCS cluster

Variable	List or Scalar	Description
CFG{vcs_clusterid}	Scalar	An integer between 0 and 65535 that uniquely identifies the cluster. (Required)
CFG{vcs_clustername}	Scalar	Defines the name of the cluster. (Required)
CFG{vcs_allowcomms}	Scalar	Indicates whether or not to start LLT and GAB when you set up a single-node cluster. The value can be 0 (do not start) or 1 (start). (Required)
CFG{fencingenabled}	Scalar	In a VCS configuration, defines if fencing is enabled.  Valid values are 0 or 1. (Required)

Table 13-3 lists the response file variables that specify the required information to configure LLT over Ethernet.

**Table 13-3** Response file variables specific to configuring private LLT over Ethernet

Variable	List or Scalar	Description
CFG{vcs_lltlink#} {"system"}	Scalar	Defines the NIC to be used for a private heartbeat link on each system. Two LLT links are required per system (lltlink1 and lltlink2). You can configure up to four LLT links.  You must enclose the system name within double quotes. (Required)

**Table 13-3** Response file variables specific to configuring private LLT over Ethernet (*continued*)

Variable	List or Scalar	Description
CFG{vcs_lltlinklowpri#} { <i>"system"</i> }	Scalar	<p>Defines a low priority heartbeat link. Typically, lltlinklowpri is used on a public network link to provide an additional layer of communication.</p> <p>If you use different media speed for the private NICs, you can configure the NICs with lesser speed as low-priority links to enhance LLT performance. For example, lltlinklowpri1, lltlinklowpri2, and so on.</p> <p>You must enclose the system name within double quotes.</p> <p>(Optional)</p>

Table 13-4 lists the response file variables that specify the required information to configure LLT over UDP.

**Table 13-4** Response file variables specific to configuring LLT over UDP

Variable	List or Scalar	Description
CFG{lltoverudp}=1	Scalar	<p>Indicates whether to configure heartbeat link using LLT over UDP.</p> <p>(Required)</p>
CFG{vcs_udplink<n>_address} {<system1>}	Scalar	<p>Stores the IP address (IPv4 or IPv6) that the heartbeat link uses on node1.</p> <p>You can have four heartbeat links and &lt;n&gt; for this response file variable can take values 1 to 4 for the respective heartbeat links.</p> <p>(Required)</p>

**Table 13-4** Response file variables specific to configuring LLT over UDP  
*(continued)*

Variable	List or Scalar	Description
CFG {vcs_udplinklowpri<n>_address} {<system1>}	Scalar	Stores the IP address (IPv4 or IPv6) that the low priority heartbeat link uses on node1.  You can have four low priority heartbeat links and <n> for this response file variable can take values 1 to 4 for the respective low priority heartbeat links.  (Required)
CFG{vcs_udplink<n>_port} {<system1>}	Scalar	Stores the UDP port (16-bit integer value) that the heartbeat link uses on node1.  You can have four heartbeat links and <n> for this response file variable can take values 1 to 4 for the respective heartbeat links.  (Required)
CFG{vcs_udplinklowpri<n>_port} {<system1>}	Scalar	Stores the UDP port (16-bit integer value) that the low priority heartbeat link uses on node1.  You can have four low priority heartbeat links and <n> for this response file variable can take values 1 to 4 for the respective low priority heartbeat links.  (Required)
CFG{vcs_udplink<n>_netmask} {<system1>}	Scalar	Stores the netmask (prefix for IPv6) that the heartbeat link uses on node1.  You can have four heartbeat links and <n> for this response file variable can take values 1 to 4 for the respective heartbeat links.  (Required)

**Table 13-4** Response file variables specific to configuring LLT over UDP  
*(continued)*

Variable	List or Scalar	Description
CFG{vcs_udplinklowpri<n>_netmask} {<system1>}	Scalar	Stores the netmask (prefix for IPv6) that the low priority heartbeat link uses on node1.  You can have four low priority heartbeat links and <n> for this response file variable can take values 1 to 4 for the respective low priority heartbeat links.  (Required)

Table 13-5 lists the response file variables that specify the required information to configure virtual IP for VCS cluster.

**Table 13-5** Response file variables specific to configuring virtual IP for VCS cluster

Variable	List or Scalar	Description
CFG{vcs_csgnic} {system}	Scalar	Defines the NIC device to use on a system. You can enter 'all' as a system value if the same NIC is used on all systems.  (Optional)
CFG{vcs_csgvip}	Scalar	Defines the virtual IP address for the cluster.  (Optional)
CFG{vcs_csgnetmask}	Scalar	Defines the Netmask of the virtual IP address for the cluster.  (Optional)

Table 13-6 lists the response file variables that specify the required information to configure the VCS cluster in secure mode.

**Table 13-6** Response file variables specific to configuring VCS cluster in secure mode

Variable	List or Scalar	Description
CFG{vcs_eat_security}	Scalar	Specifies if the cluster is in secure enabled mode or not.
CFG{opt}{securityonenode}	Scalar	Specifies that the securityonenode option is being used.
CFG{securityonenode_menu}	Scalar	Specifies the menu option to choose to configure the secure cluster one at a time. <ul style="list-style-type: none"> <li>■ 1—Configure the first node</li> <li>■ 2—Configure the other node</li> </ul>
CFG{security_conf_dir}	Scalar	Specifies the directory where the configuration files are placed.
CFG{opt}{security}	Scalar	Specifies that the security option is being used.

Table 13-7 lists the response file variables that specify the required information to configure VCS users.

**Table 13-7** Response file variables specific to configuring VCS users

Variable	List or Scalar	Description
CFG{vcs_userenpw}	List	List of encoded passwords for VCS users  The value in the list can be "Administrators Operators Guests"  <b>Note:</b> The order of the values for the vcs_userenpw list must match the order of the values in the vcs_username list.  (Optional)
CFG{vcs_username}	List	List of names of VCS users  (Optional)

**Table 13-7** Response file variables specific to configuring VCS users (*continued*)

Variable	List or Scalar	Description
CFG{vcs_userpriv}	List	List of privileges for VCS users  <b>Note:</b> The order of the values for the vcs_userpriv list must match the order of the values in the vcs_username list.  (Optional)

Table 13-8 lists the response file variables that specify the required information to configure VCS notifications using SMTP.

**Table 13-8** Response file variables specific to configuring VCS notifications using SMTP

Variable	List or Scalar	Description
CFG{vcs_smtpserver}	Scalar	Defines the domain-based hostname (example: smtp.symantecexample.com) of the SMTP server to be used for Web notification.  (Optional)
CFG{vcs_smtprecp}	List	List of full email addresses (example: user@symantecexample.com) of SMTP recipients.  (Optional)
CFG{vcs_smtpsev}	List	Defines the minimum severity level of messages (Information, Warning, Error, SevereError) that listed SMTP recipients are to receive. Note that the ordering of severity levels must match that of the addresses of SMTP recipients.  (Optional)

Table 13-9 lists the response file variables that specify the required information to configure VCS notifications using SNMP.

**Table 13-9** Response file variables specific to configuring VCS notifications using SNMP

Variable	List or Scalar	Description
CFG{vcs_snmpport}	Scalar	Defines the SNMP trap daemon port (default=162).  (Optional)
CFG{vcs_snmpcons}	List	List of SNMP console system names  (Optional)
CFG{vcs_snmpcsev}	List	Defines the minimum severity level of messages (Information, Warning, Error, SevereError) that listed SNMP consoles are to receive. Note that the ordering of severity levels must match that of the SNMP console system names.  (Optional)

Table 13-10 lists the response file variables that specify the required information to configure VCS global clusters.

**Table 13-10** Response file variables specific to configuring VCS global clusters

Variable	List or Scalar	Description
CFG{vcs_gconic} {system}	Scalar	Defines the NIC for the Virtual IP that the Global Cluster Option uses. You can enter 'all' as a system value if the same NIC is used on all systems.  (Optional)
CFG{vcs_gcovip}	Scalar	Defines the virtual IP address to that the Global Cluster Option uses.  (Optional)
CFG{vcs_gconetmask}	Scalar	Defines the Netmask of the virtual IP address that the Global Cluster Option uses.  (Optional)

# Sample response file for configuring VCS

Review the response file variables and their definitions.

See ["Response file variables to configure Veritas Cluster Server"](#) on page 161.

---

**Note:** For Solaris x64 Platform Edition, read the values of NICs as e1000g0, e1000g2, and e1000g3 instead of hme0, qfe0, qfe1 in the sample response file.

---

```
#
# Configuration Values:
#
our %CFG;

$CFG{opt}{configure}=1;
$CFG{opt}{gco}=1;
$CFG{prod}="VCS60";
$CFG{systems}=[ qw(galaxy nebula) ];
$CFG{vcs_allowcomms}=1;
$CFG{vcs_clusterid}=13221;
$CFG{vcs_clustername}="clus1";
$CFG{vcs_csgnetmask}="255.255.255.0";
$CFG{vcs_csgnic}{all}="hme0";
$CFG{vcs_csgvip}="10.10.12.1";
$CFG{vcs_gconetmask}="255.255.255.0";
$CFG{vcs_gcovip}="10.10.12.1";
$CFG{vcs_lltlink1}{galaxy}="qfe0";
$CFG{vcs_lltlink1}{nebula}="qfe0";
$CFG{vcs_lltlink2}{galaxy}="qfe1";
$CFG{vcs_lltlink2}{nebula}="qfe1";

$CFG{vcs_smtprecp}=[ qw(earnie@symantecexample.com) ];
$CFG{vcs_smtprsev}=[ qw(SevereError) ];
$CFG{vcs_smtpserver}="smtp.symantecexample.com";
$CFG{vcs_snmpcons}=[ qw(neptune) ];
$CFG{vcs_snmpcsev}=[ qw(SevereError) ];
$CFG{vcs_snmpport}=162;
1;
```

# Performing automated I/O fencing configuration for VCS

This chapter includes the following topics:

- [Configuring I/O fencing using response files](#)
- [Response file variables to configure disk-based I/O fencing](#)
- [Sample response file for configuring disk-based I/O fencing](#)
- [Response file variables to configure server-based I/O fencing](#)
- [Sample response file for configuring server-based I/O fencing](#)
- [Response file variables to configure non-SCSI-3 server-based I/O fencing](#)
- [Sample response file for configuring non-SCSI-3 server-based I/O fencing](#)

## Configuring I/O fencing using response files

Typically, you can use the response file that the installer generates after you perform I/O fencing configuration to configure I/O fencing for VCS.

### To configure I/O fencing using response files

- 1 Make sure that VCS is configured.
- 2 Based on whether you want to configure disk-based or server-based I/O fencing, make sure you have completed the preparatory tasks.

See [“About planning to configure I/O fencing”](#) on page 81.

- 3 Copy the response file to one of the cluster systems where you want to configure I/O fencing.  
 See [“Sample response file for configuring disk-based I/O fencing”](#) on page 173.  
 See [“Sample response file for configuring server-based I/O fencing”](#) on page 176.
- 4 Edit the values of the response file variables as necessary.  
 See [“Response file variables to configure disk-based I/O fencing”](#) on page 172.  
 See [“Response file variables to configure server-based I/O fencing”](#) on page 174.
- 5 Start the configuration from the system to which you copied the response file.  
 For example:

```
# /opt/VRTS/install/installvcs -responsefile /tmp/response_file
```

Where `/tmp/response_file` is the response file’s full path name.

## Response file variables to configure disk-based I/O fencing

[Table 14-1](#) lists the response file variables that specify the required information to configure disk-based I/O fencing for VCS.

**Table 14-1** Response file variables specific to configuring disk-based I/O fencing

Variable	List or Scalar	Description
CFG{opt}{fencing}	Scalar	Performs the I/O fencing configuration. (Required)
CFG{fencing_option}	Scalar	Specifies the I/O fencing configuration mode. <ul style="list-style-type: none"> <li>■ 1—Coordination Point Server-based I/O fencing</li> <li>■ 2—Coordinator disk-based I/O fencing</li> <li>■ 3—Disabled mode</li> <li>■ 4—Fencing migration when the cluster is online</li> </ul> (Required)

**Table 14-1** Response file variables specific to configuring disk-based I/O fencing  
*(continued)*

Variable	List or Scalar	Description
CFG {fencing_scsi3_disk_policy}	Scalar	Specifies the I/O fencing mechanism.  This variable is not required if you had configured fencing in disabled mode. For disk-based fencing, you must configure the <code>fencing_scsi3_disk_policy</code> variable and either the <code>fencing_dgname</code> variable or the <code>fencing_newdg_disks</code> variable.  (Optional)
CFG{fencing_dgname}	Scalar	Specifies the disk group for I/O fencing.  (Optional)  <b>Note:</b> You must define the <code>fencing_dgname</code> variable to use an existing disk group. If you want to create a new disk group, you must use both the <code>fencing_dgname</code> variable and the <code>fencing_newdg_disks</code> variable.
CFG{fencing_newdg_disks}	List	Specifies the disks to use to create a new disk group for I/O fencing.  (Optional)  <b>Note:</b> You must define the <code>fencing_dgname</code> variable to use an existing disk group. If you want to create a new disk group, you must use both the <code>fencing_dgname</code> variable and the <code>fencing_newdg_disks</code> variable.

## Sample response file for configuring disk-based I/O fencing

Review the disk-based I/O fencing response file variables and their definitions.

See [“Response file variables to configure disk-based I/O fencing”](#) on page 172.

```
#  
# Configuration Values:
```

```

#
our %CFG;

$CFG{opt}{configure}=1;
$CFG{opt}{fencing}=1;

$CFG{prod}="VCS60";

$CFG{systems}=[ qw(galaxy nebula) ];
$CFG{vcs_clusterid}=13221;
$CFG{vcs_clustername}="clus1";
$CFG{fencing_dgname}="fendg";
$CFG{fencing_scsi3_disk_policy}="dmp";
$CFG{fencing_newdg_disks}=
    [ qw(c1t1d0s2 c2t1d0s2 c3t1d0s2) ];
$CFG{fencing_option}=2;
    
```

## Response file variables to configure server-based I/O fencing

You can use a coordination point server-based fencing response file to configure server-based customized I/O fencing.

[Table 14-2](#) lists the fields in the response file that are relevant for server-based customized I/O fencing.

**Table 14-2** Coordination point server (CP server) based fencing response file definitions

Response file field	Definition
CFG {fencing_config_cpagent}	Enter '1' or '0' depending upon whether you want to configure the Coordination Point agent using the installer or not.  Enter "0" if you do not want to configure the Coordination Point agent using the installer.  Enter "1" if you want to use the installer to configure the Coordination Point agent.

**Table 14-2** Coordination point server (CP server) based fencing response file definitions (*continued*)

Response file field	Definition
CFG {fencing_cpagentgrp}	<p>Name of the service group which will have the Coordination Point agent resource as part of it.</p> <p><b>Note:</b> This field is obsolete if the <code>fencing_config_cpagent</code> field is given a value of '0'.</p>
CFG {fencing_cps}	<p>Virtual IP address or Virtual hostname of the CP servers.</p>
CFG {fencing_reusedg}	<p>This response file field indicates whether to reuse an existing DG name for the fencing configuration in customized fencing (CP server and coordinator disks). Enter either a "1" or "0".</p> <p>Entering a "1" indicates reuse, and entering a "0" indicates do not reuse.</p> <p>When reusing an existing DG name for the mixed mode fencing configuration, you need to manually add a line of text, such as "<code>\$CFG{fencing_reusedg}=0</code>" or "<code>\$CFG{fencing_reusedg}=1</code>" before proceeding with a silent installation.</p>
CFG {fencing_dgname}	<p>The name of the disk group to be used in the customized fencing, where at least one disk is being used.</p>
CFG {fencing_disks}	<p>The disks being used as coordination points if any.</p>
CFG {fencing_ncp}	<p>Total number of coordination points being used, including both CP servers and disks.</p>
CFG {fencing_ndisks}	<p>The number of disks being used.</p>
CFG {fencing_cps_vips}	<p>The virtual IP addresses or the fully qualified host names of the CP server.</p>
CFG {fencing_ports}	<p>The port that the virtual IP address or the fully qualified host name of the CP server listens on.</p>
CFG {fencing_scsi3_disk_policy}	<p>The disk policy that the customized fencing uses.</p> <p>The value for this field is either "raw" or "dmp"</p>

# Sample response file for configuring server-based I/O fencing

The following is a sample response file used for server-based I/O fencing:

```
$CFG{fencing_config_cpagent}=0;
$CFG{fencing_cps}=[ qw(10.200.117.145) ];
$CFG{fencing_cps_vips>{"10.200.117.145"}=[ qw(10.200.117.145) ];
$CFG{fencing_dgname}="vxfencoorddg";
$CFG{fencing_disks}=[ qw(emc_clariion0_37 emc_clariion0_13) ];
$CFG{fencing_scsi3_disk_policy}="raw";
$CFG{fencing_ncp}=3;
$CFG{fencing_ndisks}=2;
$CFG{fencing_ports>{"10.200.117.145"}=14250;
$CFG{fencing_reusedg}=1;
$CFG{opt}{configure}=1;
$CFG{opt}{fencing}=1;
$CFG{prod}="VCS60";
$CFG{systems}=[ qw(galaxy nebula) ];
$CFG{vcs_clusterid}=1256;
$CFG{vcs_clustername}="clus1";
$CFG{fencing_option}=1;
```

## Response file variables to configure non-SCSI-3 server-based I/O fencing

[Table 14-3](#) lists the fields in the response file that are relevant for non-SCSI-3 server-based customized I/O fencing.

See [“About I/O fencing for VCS in virtual machines that do not support SCSI-3 PR”](#) on page 29.

**Table 14-3** Non-SCSI-3 server-based I/O fencing response file definitions

Response file field	Definition
CFG{non_scsi3_fencing}	<p>Defines whether to configure non-SCSI-3 server-based I/O fencing.</p> <p>Valid values are 1 or 0. Enter 1 to configure non-SCSI-3 server-based I/O fencing.</p>

**Table 14-3** Non-SCSI-3 server-based I/O fencing response file definitions  
*(continued)*

Response file field	Definition
CFG {fencing_config_cpagent}	Enter '1' or '0' depending upon whether you want to configure the Coordination Point agent using the installer or not.  Enter "0" if you do not want to configure the Coordination Point agent using the installer.  Enter "1" if you want to use the installer to configure the Coordination Point agent.
CFG {fencing_cpagentgrp}	Name of the service group which will have the Coordination Point agent resource as part of it.  <b>Note:</b> This field is obsolete if the <code>fencing_config_cpagent</code> field is given a value of '0'.
CFG {fencing_cps}	Virtual IP address or Virtual hostname of the CP servers.
CFG {fencing_cps_vips}	The virtual IP addresses or the fully qualified host names of the CP server.
CFG {fencing_ncp}	Total number of coordination points (CP servers only) being used.
CFG {fencing_ports}	The port of the CP server that is denoted by <i>cps</i> .

## Sample response file for configuring non-SCSI-3 server-based I/O fencing

The following is a sample response file used for non-SCSI-3 server-based I/O fencing :

```
$CFG{fencing_config_cpagent}=0;
$CFG{fencing_cps}=[ qw(10.198.89.251 10.198.89.252 10.198.89.253) ];
$CFG{fencing_cps_vips}{"10.198.89.251"}=[ qw(10.198.89.251) ];
$CFG{fencing_cps_vips}{"10.198.89.252"}=[ qw(10.198.89.252) ];
$CFG{fencing_cps_vips}{"10.198.89.253"}=[ qw(10.198.89.253) ];
$CFG{fencing_ncp}=3;
$CFG{fencing_ndisks}=0;
$CFG{fencing_ports}{"10.198.89.251"}=14250;
```

```
$CFG{fencing_ports}{"10.198.89.252"}=14250;  
$CFG{fencing_ports}{"10.198.89.253"}=14250;  
$CFG{non_scsi3_fencing}=1;  
$CFG{opt}{configure}=1;  
$CFG{opt}{fencing}=1;  
$CFG{prod}="VCS60";  
$CFG{systems}=[ qw(galaxy nebula) ];  
$CFG{vcs_clusterid}=1256;  
$CFG{vcs_clustername}="clus1";  
$CFG{fencing_option}=1;
```

# Manual installation

- [Chapter 15. Performing preinstallation tasks](#)
- [Chapter 16. Manually installing VCS](#)
- [Chapter 17. Manually configuring VCS](#)
- [Chapter 18. Manually configuring the clusters for data integrity](#)

# Performing preinstallation tasks

This chapter includes the following topics:

- [Preparing for a manual installation](#)
- [Requirements for installing VCS](#)

## Preparing for a manual installation

Before you start installation, log in as the superuser. Mount the disc, copy the files to a temporary location locally for your convenience. Each operating system occupies an entire disc. Each disc has an identical directory structure.

To prepare for installation

- 1 Log in as the superuser.
- 2 Mount the appropriate disc.  
See [“Mounting the product disc”](#) on page 66.
- 3 Copy the files to a temporary location on the system.

```
# cp -r packages/* /tmp/install
```

## Requirements for installing VCS

Review requirements before you install.

See [“Important preinstallation information for VCS”](#) on page 32.

# Manually installing VCS

This chapter includes the following topics:

- [About VCS manual installation](#)
- [Installing VCS software manually](#)
- [Installing using JumpStart](#)

## About VCS manual installation

You can manually install and configure VCS instead of using the `installvcs` program.

A manual installation takes a lot of time, patience, and care. Symantec recommends that you use the `installvcs` program instead of the manual installation when possible.

## Installing VCS software manually

If you manually install VCS software to upgrade your cluster, make sure to back up the previous VCS configuration files before you start the installation. These files follow:

- `/etc/VRTSvcs/conf/config`
- `/etc/llttab`
- `/etc/gabtab`
- `/etc/llthosts`
- `/etc/default/vcs`
- `/opt/VRTSvcs/bin/vcsenv`

[Table 16-1](#) lists the tasks that you must perform when you manually install and configure VCS 6.0.

**Table 16-1** Manual installation tasks for VCS 6.0

Task	Reference
Install VCS software manually on each node in the cluster.	See <a href="#">“Installing VCS packages for a manual installation”</a> on page 183.
Install VCS language pack software manually on each node in the cluster.	See <a href="#">“Installing language packages in a manual installation”</a> on page 184.
Add a license key.	See <a href="#">“Adding a license key for a manual installation”</a> on page 185.
Copy the installation guide to each node.	See <a href="#">“Copying the installation guide to each node”</a> on page 187.
Configure LLT and GAB.	<ul style="list-style-type: none"> <li>■ See <a href="#">“Configuring LLT manually”</a> on page 194.</li> <li>■ See <a href="#">“Configuring GAB manually”</a> on page 198.</li> </ul>
Configure VCS.	See <a href="#">“Configuring VCS manually”</a> on page 199.
Start LLT, GAB, and VCS services.	See <a href="#">“Starting LLT, GAB, and VCS after manual configuration”</a> on page 201.
Modify the VCS configuration.	See <a href="#">“Modifying the VCS configuration”</a> on page 202.
Replace demo license with a permanent license.	See <a href="#">“Replacing a VCS demo license with a permanent license for manual installations”</a> on page 187.

## Viewing the list of VCS packages

During the VCS installation, the installer prompts you with an option to choose the VCS packages to install. You can view the list of packages that each of these options would install using the installer command-line option.

Manual installation or upgrade of the product requires you to install the packages in a specified order. For example, you must install some packages before other packages because of various product dependencies. The following installer command options list the packages in the order in which you must install these packages.

[Table 16-2](#) describes the VCS package installation options and the corresponding command to view the list of packages.

**Table 16-2** Installer command options to view VCS packages

Option	Description	Command option to view the list of packages
1	Installs only the minimal required VCS packages that provide basic functionality of the product.	<code>installvcs -minpkgs</code>
2	Installs the recommended VCS packages that provide complete functionality of the product. This option does not install the optional VCS packages.	<code>installvcs -recpkgs</code>
3	Installs all the VCS packages. You must choose this option to configure any optional VCS feature.	<code>installvcs -allpkgs</code>

**To view the list of VCS packages**

- 1 Navigate to the directory where you can start the `installvcs` program.

```
# cd cluster_server
```

- 2 Run the following command to view the list of packages. Based on what packages you want to install, enter the appropriate command option:

```
# ./installvcs -minpkgs
```

Or

```
# ./installvcs -recpkgs
```

Or

```
# ./installvcs -allpkgs
```

## Installing VCS packages for a manual installation

All packages are installed into the `/opt` directory and a few files are installed into the `/etc` and `/var` directories.

You can create lists of the packages to install.

See [“Viewing the list of VCS packages”](#) on page 182.

If you copied the packages to `/tmp/install`, navigate to the directory and perform the following on each system:

### To install VCS packages on a node

- ◆ Install the following required packages in the order shown:

```
# pkgadd -d VRTSvlic.pkg
# pkgadd -d VRTSperl.pkg
# pkgadd -d VRTSspt.pkg
# pkgadd -d VRTSslt.pkg
# pkgadd -d VRTSgab.pkg
# pkgadd -d VRTSvxfen.pkg
# pkgadd -d VRTSamf.pkg
# pkgadd -d VRTSvcscs.pkg
# pkgadd -d VRTScps.pkg
# pkgadd -d VRTSvcscsag.pkg
# pkgadd -d VRTSvcsea.pkg
# pkgadd -d VRTSsfmh.pkg
# pkgadd -d VRTSvbs.pkg
# pkgadd -d VRTSsfcp160.pkg
```

---

**Note:** To configure an Oracle VM Server logical domain for disaster recovery, install the following required package inside the logical domain:

---

```
# pkgadd -d VRTSvcsnr.pkg
```

See [“Veritas Cluster Server installation packages”](#) on page 371.

## Installing language packages in a manual installation

Install the language packages that VCS requires after you install the base VCS packages.

See [“Veritas Cluster Server installation packages”](#) on page 371.

Before you install, make sure that you are logged on as superuser and that you have mounted the language disc.

See [“Mounting the product disc”](#) on page 66.

Perform the steps on each node in the cluster to install the language packages.

## To install the language packages on a node

- 1 Copy the package files from the software disc to the temporary directory.

```
# cp -r pkgs/* /tmp
```

- 2 Install the following required and optional VCS packages from the compressed files:

- Install the following required packages in the order shown for Chinese language support:

```
# pkgadd -d VRTSmulic.pkg
# pkgadd -d VRTSzhvm.pkg
```

- Install the following required packages in the order shown for Japanese language support:

```
# pkgadd -d VRTSmulic.pkg
# pkgadd -d VRTSjacav.pkg
# pkgadd -d VRTSjacse.pkg
# pkgadd -d VRTSjacs.pkg
# pkgadd -d VRTSjacsu.pkg
# pkgadd -d VRTSjadba.pkg
# pkgadd -d VRTSjadbe.pkg
# pkgadd -d VRTSjafs.pkg
# pkgadd -d VRTSjaodm.pkg
# pkgadd -d VRTSjavm.pkg
```

## Adding a license key for a manual installation

You can either add the VCS license keys or use keyless licensing for VCS.

See [“Setting or changing the Veritas SFHA Solutions product level for keyless licensing”](#) on page 186.

After you have installed all packages on each cluster node, use the `vxlicinst` command to add the VCS license key on each system:

```
# vxlicinst -k XXXX-XXXX-XXXX-XXXX-XXXX-XXX
```

## Setting or changing the Veritas SFHA Solutions product level for keyless licensing

The keyless licensing method uses product levels to determine the Veritas products and functionality that are licensed. In order to use keyless licensing, you must set up a Management Server to manage your systems.

For more information and to download the management server, see the following URL:

<http://go.symantec.com/vom>

When you set the product license level for the first time, you enable keyless licensing for that system. If you install with the product installer and select the keyless option, you are prompted to select the product and feature level that you want to license.

After you install, you can change product license levels at any time to reflect the products and functionality that you want to license. When you set a product level, you agree that you have the license for that functionality.

### To set or change the product level

- 1 Show your current working directory:

```
# pwd
```

Output resembles:

```
/opt/VRTSvlic/bin
```

- 2 View the current setting for the product level.

```
# ./vxkeyless -v display
```

- 3 View the possible settings for the product level.

```
# ./vxkeyless displayall
```

- 4 Set the desired product level.

```
# ./vxkeyless set prod_levels
```

where *prod\_levels* is a comma-separated list of keywords. The keywords are the product levels as shown by the output of step 3.

If you want to remove keyless licensing and enter a key, you must clear the keyless licenses. Use the NONE keyword to clear all keys from the system.

---

**Warning:** Clearing the keys disables the Veritas products until you install a new key or set a new product level.

---

### To clear the product license level

- 1 View the current setting for the product license level.

```
# ./vxkeyless [-v] display
```

- 2 If there are keyless licenses installed, remove all keyless licenses:

```
# ./vxkeyless [-q] set NONE
```

For more details on using the `vxkeyless` utility, see the `vxkeyless(1m)` manual page.

## Checking licensing information on the system for a manual installation

Use the `vxlicrep` utility to display information about all Veritas licenses on a system. For example, enter:

```
# vxlicrep
```

From the output, you can determine the following:

- The license key
- The type of license
- The product for which it applies
- Its expiration date, if one exists
  - Demo keys have expiration dates, while permanent keys and site keys do not.

## Replacing a VCS demo license with a permanent license for manual installations

When a VCS demo key license expires, you can replace it with a permanent license using the `vxlicinst` program.

See [“Checking licensing information on the system”](#) on page 124.

## Copying the installation guide to each node

After you install VCS, Symantec recommends that you copy the PDF version of this guide from the installation disc to the `/opt/VRTS/docs` directory on each node

to make it available for reference. The PDF is located at `cluster_server/docs/vcs_install_version_platform.pdf`, where *version* is the release version and *platform* is the name of the operating system.

## Installing using JumpStart

These JumpStart instructions assume a working knowledge of JumpStart. See the JumpStart documentation that came with your operating system for details on using JumpStart.

Upgrading is not supported. The following procedure assumes a stand-alone configuration.

For the language pack, you can use JumpStart to install packages. You add the language packages in the script, and put those files in the JumpStart server directory.

You can use a Flash archive to install VCS and the operating system in conjunction with JumpStart.

See [“Using a Flash archive to install VCS and the operating system”](#) on page 191.

## Overview of JumpStart installation tasks

Review the summary of tasks before you perform the JumpStart installation.

### Summary of tasks

- 1 Add a client (register to the JumpStart server). See the JumpStart documentation that came with your operating system for details.
- 2 Read the JumpStart installation instructions.
- 3 Generate the finish scripts.  
See [“Generating the finish scripts”](#) on page 189.
- 4 Prepare shared storage installation resources.  
See [“Preparing installation resources”](#) on page 189.
- 5 Modify the rules file for JumpStart.  
See the JumpStart documentation that came with your operating system for details.

- 6 Install the operating system using the JumpStart server.
- 7 When the system is up and running, run the installer command from the installation media to configure the Veritas software.

```
# /opt/VRTS/install/installer -configure
```

## Generating the finish scripts

Perform these steps to generate the finish scripts to install VCS.

### To generate the script

- 1 Run the product installer program to generate the scripts for all products.

```
./installer -jumpstart directory_to_generate_scripts
```

Or

```
./installprod -jumpstart directory_to_generate_script
```

Where *prod* is the product's installation command, and *directory\_to\_generate\_scripts* is where you want to put the product's script.

For example:

```
# ./installvcs -jumpstart /js_scripts
```

- 2 Modify the JumpStart script according to your requirements. You must modify the BUILDSRC and ENCAPSRC values. Keep the values aligned with the resource location values.

```
BUILDSRC="hostname_or_ip:path_to_pkgs"  
// If you don't want to encapsulate the root disk automatically  
// comment out the following line.  
ENCAPSRC="hostname_or_ip:path_to_encap_script"
```

## Preparing installation resources

Prepare resources for the JumpStart installation.

### To prepare the resources

- 1 Copy the pkgs directory of the installation media to the shared storage.

```
# cd /path_to_installation_media  
# cp -r pkgs BUILDSRC
```

- 2 Generate the response file with the list of packages.

```
# cd BUILDSRC/pkgs/  
# pkgask -r package_name.response -d /BUILDSRC/pkgs/packages_name.pkg
```

- 3 Create the adminfile file under *BUILDSRC/pkgs/* directory.

```
mail=  
instance=overwrite  
partial=nocheck  
runlevel=quit  
idepend=quit  
rdepend=nocheck  
space=quit  
setuid=nocheck  
conflict=nocheck  
action=nocheck  
basedir=default
```

## Adding language pack information to the finish file

To add the language pack information to the finish file, perform the following procedure.

### To add the language pack information to the finish file

- 1 For the language pack, copy the language packages from the language pack installation disc to the shared storage.

```
# cd /cdrom/cdrom0/pkg  
# cp -r * BUILDSRC/pkg
```

If you downloaded the language pack:

```
# cd /path_to_language_pack_installation_media/pkg  
# cp -r * BUILDSRC/pkg
```

- 2 In the finish script, copy the product package information and replace the product packages with language packages.
- 3 The finish script resembles:

```
. . .  
for PKG in product_packages  
do  
...  
done. . .  
for PKG in language_packages  
do  
...  
done. . .
```

## Using a Flash archive to install VCS and the operating system

You can only use Flash archive on the Solaris 10 operating system. In the following outline, refer to Solaris documentation for Solaris-specific tasks.

---

**Note:** Symantec does not support Flash Archive installation if the root disk of the master system is encapsulated.

---

The following is an overview of the creation and installation of a Flash archive with Veritas software.

- If you plan to start flar (flash archive) creation from bare metal, perform step 1 through step 10.
- If you plan to start flar creation from a system where you have installed but not configured the product, perform step 1 through step 4. Skip step 5 and finish step 6 through step 10.

- If you plan to start flar creation from a system where you have installed and configured the product, perform step 5 through step 10.

#### Flash archive creation overview

1. Ensure that you have installed Solaris 10 on the master system.
2. Use JumpStart to create a clone of a system.
3. Reboot the cloned system.
4. Install the Veritas products on the master system.  
Perform one of the installation procedures from this guide.
5. If you have configured the product on the master system, create the `vrts_deployment.sh` file and the `vrts_deployment.cf` file and copy them to the master system.  
See [“Creating the Veritas post-deployment scripts”](#) on page 192.
6. Use the `flarcreate` command to create the Flash archive on the master system.
7. Copy the archive back to the JumpStart server.
8. Use JumpStart to install the Flash archive to the selected systems.
9. Configure the Veritas product on all nodes in the cluster. Start configuration with the following command:
10. Perform post-installation and configuration tasks.

## Creating the Veritas post-deployment scripts

The generated files `vrts_deployment.sh` and `vrts_post-deployment.cf` are customized Flash archive post-deployment scripts. These files clean up Veritas product settings on a cloned system before you reboot it for the first time. Include these files in your Flash archives.

#### To create the post-deployment scripts

1. Mount the product disc.
2. From the prompt, run the `-flash_archive` option for the installer. Specify a directory where you want to create the files.

```
# ./installer -flash_archive /tmp
```

3. Copy the `vrts_postdeployment.sh` file and the `vrts_postdeployment.cf` file to the golden system.

- 4 On the golden system perform the following:
  - Put the `vrts_postdeployment.sh` file in the `/etc/flash/postdeployment` directory.
  - Put the `vrts_postdeployment.cf` file in the `/etc/vx` directory.
- 5 Make sure that the two files have the following ownership and permissions:

```
# chown root:root /etc/flash/postdeployment/vrts_postdeployment.sh
# chmod 755 /etc/flash/postdeployment/vrts_postdeployment.sh
# chown root:root /etc/vx/vrts_postdeployment.cf
# chmod 644 /etc/vx/vrts_postdeployment.cf
```

Note that you only need these files in a Flash archive where you have installed Veritas products.

# Manually configuring VCS

This chapter includes the following topics:

- [About configuring VCS manually](#)
- [Configuring LLT manually](#)
- [Configuring GAB manually](#)
- [Configuring VCS manually](#)
- [Configuring VCS in single node mode](#)
- [Starting LLT, GAB, and VCS after manual configuration](#)
- [Modifying the VCS configuration](#)

## About configuring VCS manually

This section describes the procedures to manually configure VCS.

---

**Note:** For manually configuring VCS in single node mode, you can skip steps about configuring LLT manually and configuring GAB manually.

---

## Configuring LLT manually

VCS uses the Low Latency Transport (LLT) protocol for all cluster communications as a high-performance, low-latency replacement for the IP stack. LLT has two major functions.

It handles the following tasks:

- Traffic distribution

- Heartbeat traffic

To configure LLT over Ethernet, perform the following steps on each node in the cluster:

- Set up the file `/etc/llthosts`.  
See [“Setting up /etc/llthosts for a manual installation”](#) on page 195.
- Set up the file `/etc/llttab`.  
See [“Setting up /etc/llttab for a manual installation”](#) on page 195.
- Edit the following file on each node in the cluster to change the values of the `LLT_START` and the `LLT_STOP` environment variables to 1:  
`/etc/default/llt`

You can also configure LLT over UDP.

See [“Using the UDP layer for LLT”](#) on page 431.

## Setting up `/etc/llthosts` for a manual installation

The file `llthosts(4)` is a database. It contains one entry per system that links the LLT system ID (in the first column) with the LLT host name. You must ensure that contents of this file are identical on all the nodes in the cluster. A mismatch of the contents of the file can cause indeterminate behavior in the cluster.

Use `vi` or another editor, to create the file `/etc/llthosts` that contains the entries that resemble:

```
0 galaxy
1 nebula
```

## Setting up `/etc/llttab` for a manual installation

The `/etc/llttab` file must specify the system’s ID number (or its node name), its cluster ID, and the network links that correspond to the system. In addition, the file can contain other directives. Refer also to the sample `llttab` file in `/opt/VRTSllt`.

See [“About LLT directives in /etc/llttab file”](#) on page 196.

Run the `dladm show-dev` command to query all NICs.

Use `vi` or another editor to create the file `/etc/llttab` that contains the entries that resemble the following:

- For SPARC:

```
set-node galaxy
set-cluster 2
```

```
link qfe0 qfe:0 - ether - -  
link qfe1 qfe:1 - ether - -
```

- For x64:

```
set-node galaxy  
set-cluster 2  
link e1000g0 /dev/e1000g:0 - ether - -  
link e1000g1 /dev/e1000g:1 - ether - -
```

The first line must identify the system where the file exists. In the example, the value for `set-node` can be: `galaxy`, `0`, or the file name `/etc/nodename`. The file needs to contain the name of the system (`galaxy` in this example). The next line, beginning with the `set-cluster` command, identifies the cluster number, which must be a unique number when more than one cluster is configured on the same physical network connection. The next two lines, beginning with the `link` command, identify the two private network cards that the LLT protocol uses. The order of directives must be the same as in the sample `llttab` file in `/opt/VRTSllt`.

If you use different media speed for the private NICs, Symantec recommends that you configure the NICs with lesser speed as low-priority links to enhance LLT performance. For example:

Use `vi` or another editor to create the file `/etc/lltab` that contains the entries that resemble the following:

- For SPARC:

```
set-node galaxy  
set-cluster 2  
link qfe0 qfe:0 - ether - -  
link qfe1 qfe:1 - ether - -  
link-lowpri qfe2 qfe:2 - ether - -
```

- For x64:

```
set-node galaxy  
set-cluster 2  
link e1000g0 /dev/e1000g:0 - ether - -  
link e1000g1 /dev/e1000g:1 - ether - -  
link-lowpri e1000g2 /dev/e1000g:2 - ether - -
```

## About LLT directives in `/etc/lltab` file

[Table 17-1](#) lists the LLT directives in `/etc/lltab` file for LLT over Ethernet.

**Table 17-1** LLT directives

Directive	Description
set-node	<p>Assigns the system ID or symbolic name. The system ID number must be unique for each system in the cluster, and must be in the range 0-31. The symbolic name corresponds to the system ID, which is in /etc/llthosts file.</p> <p>Note that LLT fails to operate if any systems share the same ID.</p>
link	<p>Attaches LLT to a network interface. At least one link is required, and up to eight are supported.</p> <p>LLT distributes network traffic evenly across all available network connections unless you mark the link as low-priority using the link-lowpri directive or you configured LLT to use destination-based load balancing.</p> <p>The first argument to link is a user-defined tag shown in the <code>lltstat (1M)</code> output to identify the link. It may also be used in <code>llttab</code> to set optional static MAC addresses.</p> <p>The second argument to link is the device name of the network interface. Its format is <code>device_name:device_instance_number</code>.</p> <p>The remaining four arguments to link are defaults; these arguments should be modified only in advanced configurations. There should be one link directive for each network interface. LLT uses an unregistered Ethernet SAP of 0xCAFE. If the SAP is unacceptable, refer to the <code>llttab (4)</code> manual page for information on how to customize SAP. Note that IP addresses do not need to be assigned to the network device; LLT does not use IP addresses.</p>
set-cluster	<p>Assigns a unique cluster number. Use this directive when more than one cluster is configured on the same physical network connection. LLT uses a default cluster number of zero.</p>
link-lowpri	<p>Use this directive in place of <code>link</code> for public network interfaces. This directive prevents VCS communication on the public network until the network is the last link, and reduces the rate of heartbeat broadcasts.</p> <p>If you use private NICs with different speed, use "link-lowpri" directive in place of "link" for all links with lower speed. Use the "link" directive only for the private NIC with higher speed to enhance LLT performance. LLT uses low-priority network links for VCS communication only when other links fail.</p>

For more information about the LLT directives, refer to the `llttab(4)` manual page.

## Additional considerations for LLT for a manual installation

You must attach each network interface that is configured for LLT to a separate and distinct physical network.

By default, Oracle systems assign the same MAC address to all interfaces. Thus, connecting two or more interfaces to a network switch can cause problems. Consider the following example. You configure an IP on one public interface and LLT on another. Both interfaces are connected to a switch. The duplicate MAC address on the two switch ports can cause the switch to incorrectly redirect IP traffic to the LLT interface and vice versa. To avoid this issue, configure the system to assign unique MAC addresses by setting the `eeeprom(1M) parameter local-mac-address?` to true.

## Configuring GAB manually

VCS uses the Group Membership Services/Atomic Broadcast (GAB) protocol for cluster membership and reliable cluster communications. GAB has two major functions.

It handles the following tasks:

- Cluster membership
- Cluster communications

### To configure GAB

- 1 Set up an `/etc/gabtab` configuration file on each node in the cluster using `vi` or another editor. The following example shows an `/etc/gabtab` file:

```
/sbin/gabconfig -c -nN
```

Where the `-c` option configures the driver for use. The `-nN` option specifies that the cluster is not formed until at least `N` systems are ready to form the cluster. Symantec recommends that you set `N` to be the total number of systems in the cluster.

---

**Warning:** Symantec does not recommend the use of the `-c -x` option for `/sbin/gabconfig`. Using `-c -x` can lead to a split-brain condition.

---

- 2 Edit the following file on each node in the cluster to change the values of the `GAB_START` and the `GAB_STOP` environment variables to 1:

```
/etc/default/gab
```

# Configuring VCS manually

VCS configuration requires the `types.cf` and `main.cf` files on each system in the cluster. Both of the files are in the `/etc/VRTSvcs/conf/config` directory.

main.cf file	The main.cf configuration file requires the following minimum essential elements: <ul style="list-style-type: none"><li>■ An "include" statement that specifies the file, <code>types.cf</code>, which defines the VCS bundled agent resource type definitions.</li><li>■ The name of the cluster.</li><li>■ The name of the systems that make up the cluster.</li></ul>
types.cf file	Note that the "include" statement in <code>main.cf</code> refers to the <code>types.cf</code> file. This text file describes the VCS bundled agent resource type definitions. During new installations, the <code>types.cf</code> file is automatically copied in to the <code>/etc/VRTSvcs/conf/config</code> directory.

When you manually install VCS, the file `/etc/VRTSvcs/conf/config/main.cf` contains only the line:

```
include "types.cf"
```

For a full description of the `main.cf` file, and how to edit and verify it, refer to the *Veritas Cluster Server Administrator's Guide*.

## To configure VCS manually

- 1 Log on as superuser, and move to the directory that contains the configuration file:

```
# cd /etc/VRTSvcs/conf/config
```

- 2 Use vi or another text editor to edit the main.cf file, defining your cluster name and system names. Refer to the following example.

An example main.cf for a two-node cluster:

```
include "types.cf"
cluster VCSCluster2 ( )
system galaxy ( )
system nebula ( )
```

An example main.cf for a single-node cluster:

```
include "types.cf"
cluster VCSCluster1 ( )
system sn1 ( )
```

- 3 Save and close the main.cf file.
- 4 Edit the following file on each node in the cluster to change the values of the VCS\_START and the VCS\_STOP environment variables to 1:

```
/etc/default/vcs
```

## Configuring the cluster UUID when creating a cluster manually

You need to configure the cluster UUID when you manually create a cluster.

**To configure the cluster UUID when you create a cluster manually**

- ◆ On one node in the cluster, perform the following command to populate the cluster UUID on each node in the cluster.

```
# /opt/VRTSvcs/bin/uuidconfig.pl -clus -configure nodeA
nodeB ... nodeN
```

Where *nodeA*, *nodeB*, through *nodeN* are the names of the cluster nodes.

## Configuring VCS in single node mode

In addition to the steps mentioned in the manual configuration section, complete the following steps to configure VCS in single node mode.

See [“Configuring VCS manually”](#) on page 199.

### To configure VCS in single node mode

- 1 Copy the SMF service manifest file `vcs-onenode.xml` from `/etc/VRTSvcs/conf` to `/var/svc/manifest/system`.

```
# cp /etc/VRTSvcs/conf/vcs-onenode.xml /var/svc/manifest/system
```

- 2 Disable the VCS SMF service imported by VRTSvcs package.

```
# svcadm disable -s system/vcs:default
```

- 3 Delete the VCS SMF service configuration.

```
# svccfg delete -f system/vcs:default
```

- 4 Edit the following file to change the value of the ONENODE environment variable to **yes**.

```
/etc/default/vcs
```

- 5 Import the SMF service for vcs-onenode.

```
# svccfg import /var/svc/manifest/system/vcs-onenode.xml
```

## Starting LLT, GAB, and VCS after manual configuration

After you have configured LLT, GAB, and VCS, use the following procedures to start LLT, GAB, and VCS.

### To start LLT

- 1 On each node, run the following command to start LLT:

```
# svcadm enable llt
```

If LLT is configured correctly on each node, the console output resembles:

```
Sep  1 19:12:57 galaxy kernel: LLT INFO V-14-1-10009  
LLT 5.1.100.00 Protocol available
```

- 2 On each node, run the following command to verify that LLT is running:

```
# /sbin/lltconfig  
LLT is running
```

### To start GAB

- 1 On each node, run the following command to start GAB:

```
# svcadm enable gab
```

If GAB is configured correctly on each node, the console output resembles:

```
Sep  1 19:13:35 galaxy kernel: GAB INFO V-15-1-20021
GAB 5.1.100.00 available
```

- 2 On each node, run the following command to verify that GAB is running:

```
# /sbin/gabconfig -a
GAB Port Memberships
=====
Port a gen a36e0003 membership 01
```

### To start VCS

- ◆ On each node, type:

```
# svcadm enable vcs
```

If VCS is configured correctly on each node, the console output resembles:

```
Apr  5 14:52:02 galaxy gab: GAB:20036: Port h gen 3972a201
membership 01
```

See [“Verifying the cluster”](#) on page 312.

### To start VCS as single node

- ◆ Run the following command:

```
# svcadm enable vcs-onenode
```

## Modifying the VCS configuration

After the successful installation of VCS, you can modify the configuration of VCS using several methods. You can dynamically modify the configuration from the command line, Veritas Operations Manager, or the Cluster Manager (Java Console). For information on management tools, refer to the *Veritas Cluster Server Administrator's Guide*.

You can also edit the main.cf file directly. For information on the structure of the main.cf file, refer to the *Veritas Cluster Server Administrator's Guide*.

## Configuring the ClusterService group

When you have installed VCS, and verified that LLT, GAB, and VCS work, you can create a service group to include the optional features. These features include the VCS notification components and the Global Cluster option. If you manually added VCS to your cluster systems, you must manually create the ClusterService group. You can refer to the configuration examples of a system with a ClusterService group. See the *Veritas Cluster Server Administrator's Guide* for more information.

See [“Sample main.cf file for VCS clusters”](#) on page 415.

# Manually configuring the clusters for data integrity

This chapter includes the following topics:

- [Setting up disk-based I/O fencing manually](#)
- [Setting up server-based I/O fencing manually](#)
- [Setting up non-SCSI-3 fencing in virtual environments manually](#)

## Setting up disk-based I/O fencing manually

[Table 18-1](#) lists the tasks that are involved in setting up I/O fencing.

**Table 18-1** Tasks to set up I/O fencing manually

Task	Reference
Initializing disks as VxVM disks	See <a href="#">“Initializing disks as VxVM disks”</a> on page 127.
Identifying disks to use as coordinator disks	See <a href="#">“Identifying disks to use as coordinator disks”</a> on page 205.
Checking shared disks for I/O fencing	See <a href="#">“Checking shared disks for I/O fencing”</a> on page 130.
Setting up coordinator disk groups	See <a href="#">“Setting up coordinator disk groups”</a> on page 205.
Creating I/O fencing configuration files	See <a href="#">“Creating I/O fencing configuration files”</a> on page 206.
Modifying VCS configuration to use I/O fencing	See <a href="#">“Modifying VCS configuration to use I/O fencing”</a> on page 207.

**Table 18-1** Tasks to set up I/O fencing manually (*continued*)

Task	Reference
Configuring CoordPoint agent to monitor coordination points	See <a href="#">“Configuring CoordPoint agent to monitor coordination points”</a> on page 219.
Verifying I/O fencing configuration	See <a href="#">“Verifying I/O fencing configuration”</a> on page 208.

## Identifying disks to use as coordinator disks

Make sure you initialized disks as VxVM disks.

See [“Initializing disks as VxVM disks”](#) on page 127.

Review the following procedure to identify disks to use as coordinator disks.

### To identify the coordinator disks

- 1 List the disks on each node.

For example, execute the following commands to list the disks:

```
# vxdisk -o alldgs list
```

- 2 Pick three SCSI-3 PR compliant shared disks as coordinator disks.

See [“Checking shared disks for I/O fencing”](#) on page 130.

## Setting up coordinator disk groups

From one node, create a disk group named `vxfencoordg`. This group must contain three disks or LUNs. You must also set the coordinator attribute for the coordinator disk group. VxVM uses this attribute to prevent the reassignment of coordinator disks to other disk groups.

Note that if you create a coordinator disk group as a regular disk group, you can turn on the coordinator attribute in Volume Manager.

Refer to the *Veritas Storage Foundation Administrator's Guide* for details on how to create disk groups.

The following example procedure assumes that the disks have the device names `c1t1d0s2`, `c2t1d0s2`, and `c3t1d0s2`.

**To create the vxfencoorddg disk group**

- 1 On any node, create the disk group by specifying the device names:

```
# vxdbg init vxfencoorddg c1t1d0s2 c2t1d0s2 c3t1d0s2
```

- 2 Set the coordinator attribute value as "on" for the coordinator disk group.

```
# vxdbg -g vxfencoorddg set coordinator=on
```

- 3 Deport the coordinator disk group:

```
# vxdbg deport vxfencoorddg
```

- 4 Import the disk group with the `-t` option to avoid automatically importing it when the nodes restart:

```
# vxdbg -t import vxfencoorddg
```

- 5 Deport the disk group. Deporting the disk group prevents the coordinator disks from serving other purposes:

```
# vxdbg deport vxfencoorddg
```

## Creating I/O fencing configuration files

After you set up the coordinator disk group, you must do the following to configure I/O fencing:

- Create the I/O fencing configuration file `/etc/vxfendg`
- Update the I/O fencing configuration file `/etc/vxfenmode`

**To update the I/O fencing files and start I/O fencing**

- 1 On each nodes, type:

```
# echo "vxfencoorddg" > /etc/vxfendg
```

Do not use spaces between the quotes in the "vxfencoorddg" text.

This command creates the `/etc/vxfendg` file, which includes the name of the coordinator disk group.

- 2 On all cluster nodes depending on the SCSI-3 mechanism, type one of the following selections:

- For DMP configuration:

```
# cp /etc/vxfen.d/vxfenmode_scsi3_dmp /etc/vxfenmode
```

- For raw device configuration:

```
# cp /etc/vxfen.d/vxfenmode_scsi3_raw /etc/vxfenmode
```

- 3 To check the updated `/etc/vxfenmode` configuration, enter the following command on one of the nodes. For example:

```
# more /etc/vxfenmode
```

- 4 Edit the following file on each node in the cluster to change the values of the `VXFEN_START` and the `VXFEN_STOP` environment variables to 1:

```
/etc/default/vxfen
```

## Modifying VCS configuration to use I/O fencing

After you add coordination points and configure I/O fencing, add the `UseFence = SCSI3` cluster attribute to the VCS configuration file `/etc/VRTSvcs/conf/config/main.cf`.

If you reset this attribute to `UseFence = None`, VCS does not make use of I/O fencing abilities while failing over service groups. However, I/O fencing needs to be disabled separately.

### To modify VCS configuration to enable I/O fencing

- 1 Save the existing configuration:

```
# haconf -dump -makero
```

- 2 Stop VCS on all nodes:

```
# hastop -all
```

- 3 If the I/O fencing driver `vxfen` is already running, stop the I/O fencing driver.

```
# svcadm disable -t vxfen
```

- 4 Make a backup copy of the `main.cf` file:

```
# cd /etc/VRTSvcs/conf/config
```

```
# cp main.cf main.orig
```

- 5 On one node, use `vi` or another text editor to edit the `main.cf` file. To modify the list of cluster attributes, add the `UseFence` attribute and assign its value as `SCSI3`.

```
cluster clus1(  
  UserNames = { admin = "cDRpdxPmHpzS." }  
  Administrators = { admin }  
  HacliUserLevel = COMMANDROOT  
  CounterInterval = 5  
  UseFence = SCSI3  
)
```

Regardless of whether the fencing configuration is disk-based or server-based, the value of the cluster-level attribute `UseFence` is set to `SCSI3`.

- 6 Save and close the file.
- 7 Verify the syntax of the file `/etc/VRTSvcs/conf/config/main.cf`:

```
# hacf -verify /etc/VRTSvcs/conf/config
```

- 8 Using `rcp` or another utility, copy the VCS configuration file from a node (for example, `galaxy`) to the remaining cluster nodes.

For example, on each remaining node, enter:

```
# rcp galaxy:/etc/VRTSvcs/conf/config/main.cf \  
/etc/VRTSvcs/conf/config
```

- 9 Start the I/O fencing driver and VCS. Perform the following steps on each node:

- Start the I/O fencing driver.  
The `vxfen` startup script also invokes the `vxfenconfig` command, which configures the `vxfen` driver to start and use the coordination points that are listed in `/etc/vxfentab`.

```
# svcadm enable vxfen
```

- Start VCS.

```
# /opt/VRTS/bin/hastart
```

## Verifying I/O fencing configuration

Verify from the `vxfenadm` output that the SCSI-3 disk policy reflects the configuration in the `/etc/vxfenmode` file.

**To verify I/O fencing configuration**

- 1 On one of the nodes, type:

```
# vxfsadm -d
```

Output similar to the following appears if the fencing mode is SCSI3 and the SCSI3 disk policy is dmp:

```
I/O Fencing Cluster Information:
=====
```

```
Fencing Protocol Version: 201
Fencing Mode: SCSI3
Fencing SCSI3 Disk Policy: dmp
Cluster Members:
```

```
 * 0 (galaxy)
  1 (nebula)
```

```
RFSM State Information:
  node 0 in state 8 (running)
  node 1 in state 8 (running)
```

- 2 Verify that the disk-based I/O fencing is using the specified disks.

```
# vxfsconfig -l
```

## Setting up server-based I/O fencing manually

Tasks that are involved in setting up server-based I/O fencing manually include:

**Table 18-2** Tasks to set up server-based I/O fencing manually

Task	Reference
Preparing the CP servers for use by the VCS cluster	See <a href="#">“Preparing the CP servers manually for use by the VCS cluster”</a> on page 210.
Modifying I/O fencing configuration files to configure server-based I/O fencing	See <a href="#">“Configuring server-based fencing on the VCS cluster manually”</a> on page 213.
Modifying VCS configuration to use I/O fencing	See <a href="#">“Modifying VCS configuration to use I/O fencing”</a> on page 207.

**Table 18-2** Tasks to set up server-based I/O fencing manually (*continued*)

Task	Reference
Configuring Coordination Point agent to monitor coordination points	See “ <a href="#">Configuring CoordPoint agent to monitor coordination points</a> ” on page 219.
Verifying the server-based I/O fencing configuration	See “ <a href="#">Verifying server-based I/O fencing configuration</a> ” on page 220.

## Preparing the CP servers manually for use by the VCS cluster

Use this procedure to manually prepare the CP server for use by the VCS cluster or clusters.

[Table 18-3](#) displays the sample values used in this procedure.

**Table 18-3** Sample values in procedure

CP server configuration component	Sample name
CP server	mycps1
Node #1 - VCS cluster	galaxy
Node #2 - VCS cluster	nebula
Cluster name	clus1
Cluster UUID	{f0735332-1dd1-11b2}

## To manually configure CP servers for use by the VCS cluster

- 1 Determine the cluster name and uuid on the VCS cluster.

For example, issue the following commands on one of the VCS cluster nodes (galaxy):

```
# grep cluster /etc/VRTSvcs/conf/config/main.cf

cluster clus1

# cat /etc/vx/.uuids/clusuuid

{f0735332-1dd1-11b2-bb31-00306eea460a}
```

- 2 Use the `cpsadm` command to check whether the VCS cluster and nodes are present in the CP server.

For example:

```
# cpsadm -s mycps1.symantecexample.com -a list_nodes
```

ClusName	UUID	Hostname (Node ID)	Registered
clus1	{f0735332-1dd1-11b2-bb31-00306eea460a}	galaxy(0)	0
clus1	{f0735332-1dd1-11b2-bb31-00306eea460a}	nebula(1)	0

If the output does not show the cluster and nodes, then add them as described in the next step.

For detailed information about the `cpsadm` command, see the *Veritas Cluster Server Administrator's Guide*.

### 3 Add the VCS cluster and nodes to each CP server.

For example, issue the following command on the CP server (mycps1.symantecexample.com) to add the cluster:

```
# cpsadm -s mycps1.symantecexample.com -a add_clus\  
-c clus1 -u {f0735332-1dd1-11b2}
```

```
Cluster clus1 added successfully
```

Issue the following command on the CP server (mycps1.symantecexample.com) to add the first node:

```
# cpsadm -s mycps1.symantecexample.com -a add_node\  
-c clus1 -u {f0735332-1dd1-11b2} -h galaxy -n0
```

```
Node 0 (galaxy) successfully added
```

Issue the following command on the CP server (mycps1.symantecexample.com) to add the second node:

```
# cpsadm -s mycps1.symantecexample.com -a add_node\  
-c clus1 -u {f0735332-1dd1-11b2} -h nebula -n1
```

```
Node 1 (nebula) successfully added
```

### 4 If security is to be enabled, check whether the CPSADM@VCS\_SERVICES@cluster\_uuid users are created in the CP server.

If the output below does not show the users, then add them as described in the next step.

```
# cpsadm -s mycps1.symantecexample.com -a list_users
```

```
Username/Domain Type Cluster Name / UUID Role  
  
CPSADM@VCS_SERVICES@f0735332-1dd1-11b2/vx  
clus1/{f0735332-1dd1-11b2} Operator
```

If security is to be disabled, then add the user name "cpsclient@hostname" to the server instead of the CPSADM@VCS\_SERVICES@cluster\_uuid (for example, cpsclient@galaxy).

The CP server can only run in either secure mode or non-secure mode, both connections are not accepted at the same time.

## 5 Add the users to the CP server.

Issue the following commands on the CP server (mycps1.symantecexample.com):

```
# cpsadm -s mycps1.symantecexample.com -a add_user -e\  
CPSADM@VCS_SERVICES@cluster_uid\  
-f cps_operator -g vx
```

```
User CPSADM@VCS_SERVICES@cluster_uid  
successfully added
```

## 6 Authorize the CP server user to administer the VCS cluster. You must perform this task for the CP server users corresponding to each node in the VCS cluster.

For example, issue the following command on the CP server (mycps1.symantecexample.com) for VCS cluster clus1 with two nodes galaxy and nebula:

```
# cpsadm -s mycps1.symantecexample.com -a\  
add_clus_to_user -c clus1\  
-u {f0735332-1dd1-11b2}\  
-e CPSADM@VCS_SERVICES@cluster_uid\  
-f cps_operator -g vx
```

```
Cluster successfully added to user  
CPSADM@VCS_SERVICES@cluster_uid privileges.
```

# Configuring server-based fencing on the VCS cluster manually

The configuration process for the client or VCS cluster to use CP server as a coordination point requires editing the `/etc/vxfenmode` file.

You need to edit this file to specify the following information for your configuration:

- Fencing mode
- Fencing mechanism
- Fencing disk policy (if applicable to your I/O fencing configuration)
- Appropriate value for the security configuration
- CP server or CP servers
- Coordinator disk group (if applicable to your I/O fencing configuration)

---

**Note:** Whenever coordinator disks are used as coordination points in your I/O fencing configuration, you must create a disk group (vxencoordg). You must specify this disk group in the `/etc/vxfenmode` file.

See [“Setting up coordinator disk groups”](#) on page 205.

---

The customized fencing framework also generates the `/etc/vxfentab` file which has security setting and the coordination points (all the CP servers and disks from disk group specified in `/etc/vxfenmode` file).

### To configure server-based fencing on the VCS cluster manually

- 1 Use a text editor to edit the following file on each node in the cluster:

```
/etc/default/vxfen
```

You must change the values of the `VXFEN_START` and the `VXFEN_STOP` environment variables to 1.

- 2 Use a text editor to edit the `/etc/vxfenmode` file values to meet your configuration specifications.

If your server-based fencing configuration uses a single highly available CP server as its only coordination point, make sure to add the `single_cp=1` entry in the `/etc/vxfenmode` file.

The following sample file output displays what the `/etc/vxfenmode` file contains:

See [“Sample vxfenmode file output for server-based fencing”](#) on page 214.

- 3 After editing the `/etc/vxfenmode` file, run the `vxfen` init script to start fencing.

For example:

```
# svcadm enable vxfen
```

- 4 For CP servers in secure mode, make sure that the security is enabled on the cluster and the credentials for the CPSADM are present in the `/var/VRTSvcs/vcsauth/data/CPSADM` directory.

## Sample vxfenmode file output for server-based fencing

The following is a sample `vxfenmode` file for server-based fencing:

```
#
# vxfen_mode determines in what mode VCS I/O Fencing should work.
#
# available options:
# scsi3          - use scsi3 persistent reservation disks
```

```
# customized - use script based customized fencing
# disabled - run the driver but don't do any actual fencing
#
vxfen_mode=customized

# vxfen_mechanism determines the mechanism for customized I/O
# fencing that should be used.
#
# available options:
# cps - use a coordination point server with optional script
# controlled scsi3 disks
#
vxfen_mechanism=cps

#
# scsi3_disk_policy determines the way in which I/O Fencing
# communicates with the coordination disks. This field is
# required only if customized coordinator disks are being used.
#
# available options:
# dmp - use dynamic multipathing
# raw - connect to disks using the native interface
#
scsi3_disk_policy=dmp

# security when enabled uses secure communication to the cp server
# using VxAT (Veritas Authentication Service)
# available options:
# 0 - don't use Veritas Authentication Service for cp server
# communication
# 1 - use Veritas Authentication Service for cp server
# communication
security=1

#
# Specify 3 or more odd number of coordination points in this file,
# one in its own line. They can be all-CP servers, all-SCSI-3
# compliant coordinator disks, or a combination of CP servers and
# SCSI-3 compliant coordinator disks. Please ensure that the CP
# server coordination points are numbered sequentially and in the
# same order on all the cluster nodes.
#
# Coordination Point Server(CPS) is specified as:
```

```
#
# cps<number>=[<vip/vhn>]:<port>
#
# If a CPS supports multiple virtual IPs or virtual hostnames over
# different subnets, all of the IPs/names can be specified in a
# comma separated list as follows:
#
# cps<number>=[<vip_1/vhn_1>]:<port_1>,[<vip_2/vhn_2>]:<port_2>,...,
# [<vip_n/vhn_n>]:<port_n>
#
# Where,
# <number>
# is the serial number of the CPS as a coordination point; must
# start with 1.
# <vip>
# is the virtual IP address of the CPS, must be specified in
# square brackets ("[]").
# <vhn>
# is the virtual hostname of the CPS, must be specified in square
# brackets ("[]").
# <port>
# is the port number bound to a particular <vip/vhn> of the CPS.
# It is optional to specify a <port>. However, if specified, it
# must follow a colon (":") after <vip/vhn>. If not specified, the
# colon (":") must not exist after <vip/vhn>.
#
# For all the <vip/vhn>s which do not have a specified <port>, a
# default port can be specified as follows:
#
# port=<default_port>
#
# Where <default_port> is applicable to all the <vip/vhn>s for
# which a <port> is not specified. In other words, specifying <port>
# with a <vip/vhn> overrides the <default_port> for that <vip/vhn>.
# If the <default_port> is not specified, and there are <vip/vhn>s for
# which <port> is not specified, then port number 14250 will be used
# for such <vip/vhn>s.
#
# Example of specifying CP Servers to be used as coordination points:
# port=57777
# cps1=[192.168.0.23],[192.168.0.24]:58888,[mycps1.company.com]
# cps2=[192.168.0.25]
# cps3=[mycps2.company.com]:59999
```

```
#
# In the above example,
# - port 58888 will be used for vip [192.168.0.24]
# - port 59999 will be used for vhn [mycps2.company.com], and
# - default port 57777 will be used for all remaining <vip/vhn>s:
#   [192.168.0.23]
#   [mycps1.company.com]
#   [192.168.0.25]
# - if default port 57777 were not specified, port 14250 would be used
#   for all remaining <vip/vhn>s:
#   [192.168.0.23]
#   [mycps1.company.com]
#   [192.168.0.25]
#
# SCSI-3 compliant coordinator disks are specified as:
#
# vxfendg=<coordinator disk group name>
# Example:
# vxfendg=vxfencoordg
#
# Examples of different configurations:
# 1. All CP server coordination points
# cps1=
# cps2=
# cps3=
#
# 2. A combination of CP server and a disk group having two SCSI-3
# coordinator disks
# cps1=
# vxfendg=
# Note: The disk group specified in this case should have two disks
#
# 3. All SCSI-3 coordinator disks
# vxfendg=
# Note: The disk group specified in case should have three disks
#
```

[Table 18-4](#) defines the vxfenmode parameters that must be edited.

**Table 18-4** vxfenmode file parameters

vxfenmode File Parameter	Description
vxfen_mode	Fencing mode of operation. This parameter must be set to "customized".
vxfen_mechanism	Fencing mechanism. This parameter defines the mechanism that is used for fencing. If one of the three coordination points is a CP server, then this parameter must be set to "cps".
scsi3_disk_policy	Configure the vxfen module to use either DMP devices, "dmp" or the underlying raw character devices, "raw". <b>Note:</b> The configured disk policy is applied on all the nodes.
security	Security parameter 1 indicates that secure mode is used for CP server communications.  Security parameter 0 indicates that communication with the CP server is made in non-secure mode.  The default security value is 1.
cps1, cps2, or vxfendg	Coordination point parameters.  Enter either the virtual IP address or the FQHN (whichever is accessible) of the CP server.  <i>cps&lt;number&gt;=[virtual_ip_address/virtual_host_name]:port</i>  Where <i>port</i> is optional. The default port value is 14250.  If you have configured multiple virtual IP addresses or host names over different subnets, you can specify these as comma-separated values. For example:  <i>cps1=[192.168.0.23], [192.168.0.24]:58888, [mycps1.company.com]</i>  <b>Note:</b> Whenever coordinator disks are used in an I/O fencing configuration, a disk group has to be created (vxencoordg) and specified in the /etc/vxfenmode file. Additionally, the customized fencing framework also generates the /etc/vxfentab file which specifies the security setting and the coordination points (all the CP servers and the disks from disk group specified in /etc/vxfenmode file).

**Table 18-4** vxfenmode file parameters (*continued*)

vxfenmode File Parameter	Description
port	Default port for the CP server to listen on  If you have not specified port numbers for individual virtual IP addresses or host names, the default port number value that the CP server uses for those individual virtual IP addresses or host names is 14250. You can change this default port value using the port parameter.
single_cp	Value 1 for single_cp parameter indicates that the server-based fencing uses a single highly available CP server as its only coordination point.  Value 0 for single_cp parameter indicates that the server-based fencing uses at least three coordination points.

## Configuring CoordPoint agent to monitor coordination points

The following procedure describes how to manually configure the CoordPoint agent to monitor coordination points.

The CoordPoint agent can monitor CP servers and SCSI-3 disks.

See the *Veritas Cluster Server Bundled Agents Reference Guide* for more information on the agent.

### To configure CoordPoint agent to monitor coordination points

- 1 Ensure that your VCS cluster has been properly installed and configured with fencing enabled.
- 2 Create a parallel service group vxfen and add a coordpoint resource to the vxfen service group using the following commands:

```
# haconf -makerw
# hagr -add vxfen
# hagr -modify vxfen SystemList galaxy 0 nebula 1
# hagr -modify vxfen AutoFailOver 0
# hagr -modify vxfen Parallel 1
# hagr -modify vxfen SourceFile "./main.cf"
# hares -add coordpoint CoordPoint vxfen
# hares -modify coordpoint FaultTolerance 1
# hares -modify coordpoint Enabled 1
# haconf -dump -makero
```

- 3 Verify the status of the agent on the VCS cluster using the `hares` commands. For example:

```
# hares -state coordpoint
```

The following is an example of the command and output::

```
# hares -state coordpoint

# Resource      Attribute  System  Value
coordpoint     State     galaxy  ONLINE
coordpoint     State     nebula  ONLINE
```

- 4 Access the engine log to view the agent log. The agent log is written to the engine log.

The agent log contains detailed CoordPoint agent monitoring information; including information about whether the CoordPoint agent is able to access all the coordination points, information to check on which coordination points the CoordPoint agent is reporting missing keys, etc.

To view all such information in the engine log, change the `dbg` level for that node using the following commands:

```
# haconf -makerw

# hatype -modify Coordpoint LogDbg 10

# haconf -dump -makero
```

The agent log can now be viewed at the following location:

```
/var/VRTSvcS/log/engine_A.log
```

## Verifying server-based I/O fencing configuration

Follow the procedure described below to verify your server-based I/O fencing configuration.

### To verify the server-based I/O fencing configuration

- 1 Verify that the I/O fencing configuration was successful by running the `vxfenadm` command. For example, run the following command:

```
# vxfenadm -d
```

---

**Note:** For troubleshooting any server-based I/O fencing configuration issues, refer to the *Veritas Cluster Server Administrator's Guide*.

---

- 2 Verify that I/O fencing is using the specified coordination points by running the `vxfenconfig` command. For example, run the following command:

```
# vxfenconfig -l
```

If the output displays `single_cp=1`, it indicates that the application cluster uses a CP server as the single coordination point for server-based fencing.

## Setting up non-SCSI-3 fencing in virtual environments manually

### To manually set up I/O fencing in a non-SCSI-3 PR compliant setup

- 1 Configure I/O fencing in customized mode with only CP servers as coordination points.

See [“Setting up server-based I/O fencing manually”](#) on page 209.

- 2 Make sure that the VCS cluster is online and check that the fencing mode is customized.

```
# vxfenadm -d
```

- 3 Make sure that the cluster attribute `UseFence` is set to `SCSI3`.

```
# haclus -value UseFence
```

- 4 On each node, edit the `/etc/vxenviro`n file as follows:

```
data_disk_fencing=off
```

- 5 On each node, edit the `/kernel/drv/vxfen.conf` file as follows:

```
vxfen_vxind_tmt=25
```

- 6 On each node, edit the `/etc/vxfenmode` file as follows:

```
loser_exit_delay=55
vxfen_script_timeout=25
```

Refer to the sample `/etc/vxfenmode` file.

- 7 On each node, set the value of the LLT `sendhbcap` timer parameter value as follows:

- Run the following command:

```
lltconfig -T sendhbcap:3000
```

- Add the following line to the `/etc/llttab` file so that the changes remain persistent after any reboot:

```
set-timer senhbcap:3000
```

- 8 On any one node, edit the VCS configuration file as follows:

- Make the VCS configuration file writable:

```
# haconf -makerw
```

- For each resource of the type `DiskGroup`, set the value of the `MonitorReservation` attribute to 0 and the value of the `Reservation` attribute to `NONE`.

```
# hares -modify <dg_resource> MonitorReservation 0
```

```
# hares -modify <dg_resource> Reservation "NONE"
```

- Run the following command to verify the value:

```
# hares -list Type=DiskGroup MonitorReservation!=0
```

```
# hares -list Type=DiskGroup Reservation!="NONE"
```

The command should not list any resources.

- Modify the default value of the `Reservation` attribute at type-level.

```
# haattr -default DiskGroup Reservation "NONE"
```

- Make the VCS configuration file read-only

```
# haconf -dump -makero
```

- 9 Make sure that the UseFence attribute in the VCS configuration file main.cf is set to SCSI3.
- 10 To make these VxFEN changes take effect, stop and restart VxFEN and the dependent modules
  - On each node, run the following command to stop VCS:
 

```
# svcadm disable -t vcs
```
  - After VCS takes all services offline, run the following command to stop VxFEN:
 

```
# svcadm disable -t vxfen
```
  - On each node, run the following commands to restart VxFEN and VCS:
 

```
# svcadm enable vxfen
```

## Sample /etc/vxfenmode file for non-SCSI-3 fencing

```
=====
# vxfen_mode determines in what mode VCS I/O Fencing should work.
#
# available options:
# scsi3      - use scsi3 persistent reservation disks
# customized - use script based customized fencing
# disabled   - run the driver but don't do any actual fencing
#
vxfen_mode=customized

# vxfen_mechanism determines the mechanism for customized I/O
# fencing that should be used.
#
# available options:
# cps        - use a coordination point server with optional script
#              controlled scsi3 disks
#
vxfen_mechanism=cps

#
# scsi3_disk_policy determines the way in which I/O Fencing
# communicates with the coordination disks. This field is required
# only if customized coordinator disks are being used.
```

```

#
# available options:
# dmp - use dynamic multipathing
# raw - connect to disks using the native interface
#
# scsi3_disk_policy=dmp

#
# Seconds for which the winning sub cluster waits to allow for the
# losing subcluster to panic & drain I/Os. Useful in the absence of
# SCSI3 based data disk fencing
loser_exit_delay=55

#
# Seconds for which vxfsend process wait for a customized fencing
# script to complete. Only used with vxfsen_mode=customized
vxfsen_script_timeout=25

#
# security when enabled uses secure communication to the cp server
# using VxAT (Veritas Authentication Service)
# available options:
# 0 - don't use Veritas Authentication Service for cp server
#   communication
# 1 - use Veritas Authentication Service for cp server
#   communication
security=1

#
# Specify 3 or more odd number of coordination points in this file,
# one in its own line. They can be all-CP servers, all-SCSI-3
# compliant coordinator disks, or a combination of CP servers and
# SCSI-3 compliant coordinator disks. Please ensure that the CP
# server coordination points are numbered sequentially and in the
# same order on all the cluster nodes.
#
# Coordination Point Server(CPS) is specified as:
#
# cps<number>=[<vip/vhn>]:<port>
#
# If a CPS supports multiple virtual IPs or virtual hostnames over
# different subnets, all of the IPs/names can be specified in a
# comma separated list as follows:

```

```

#
# cps<number>=[<vip_1/vhn_1>]:<port_1>,[<vip_2/vhn_2>]:<port_2>,...,
#  [<vip_n/vhn_n>]:<port_n>
#
# Where,
# <number>
# is the serial number of the CPS as a coordination point; must
# start with 1.
# <vip>
# is the virtual IP address of the CPS, must be specified in
# square brackets ("[]").
# <vhn>
# is the virtual hostname of the CPS, must be specified in square
# brackets ("[]").
# <port>
# is the port number bound to a particular <vip/vhn> of the CPS.
# It is optional to specify a <port>. However, if specified, it
# must follow a colon (":") after <vip/vhn>. If not specified, the
# colon (":") must not exist after <vip/vhn>.
#
# For all the <vip/vhn>s which do not have a specified <port>, a
# default port can be specified as follows:
#
# port=<default_port>
#
# Where <default_port> is applicable to all the <vip/vhn>s for
# which a <port> is not specified. In other words, specifying <port>
# with a <vip/vhn> overrides the <default_port> for that <vip/vhn>.
# If the <default_port> is not specified, and there are <vip/vhn>s for
# which <port> is not specified, then port number 14250 will be used
# for such <vip/vhn>s.
#
# Example of specifying CP Servers to be used as coordination points:
# port=57777
# cps1=[192.168.0.23],[192.168.0.24]:58888,[mycps1.company.com]
# cps2=[192.168.0.25]
# cps3=[mycps2.company.com]:59999
#
# In the above example,
# - port 58888 will be used for vip [192.168.0.24]
# - port 59999 will be used for vhn [mycps2.company.com], and
# - default port 57777 will be used for all remaining <vip/vhn>s:
#   [192.168.0.23]

```

```
# [mycps1.company.com]
# [192.168.0.25]
# - if default port 57777 were not specified, port 14250 would be used
# for all remaining <vip/vhn>s:
# [192.168.0.23]
# [mycps1.company.com]
# [192.168.0.25]
#
# SCSI-3 compliant coordinator disks are specified as:
#
# vxfendg=<coordinator disk group name>
# Example:
# vxfendg=vxfencoorddg
#
# Examples of different configurations:
# 1. All CP server coordination points
# cps1=
# cps2=
# cps3=
#
# 2. A combination of CP server and a disk group having two SCSI-3
# coordinator disks
# cps1=
# vxfendg=
# Note: The disk group specified in this case should have two disks
#
# 3. All SCSI-3 coordinator disks
# vxfendg=
# Note: The disk group specified in case should have three disks
#
cps1=[mycps1.company.com]
cps2=[mycps2.company.com]
cps3=[mycps3.company.com]
port=14250
=====
```

# Upgrading VCS

- [Chapter 19. Planning to upgrade VCS](#)
- [Chapter 20. Performing a typical VCS upgrade using the installer](#)
- [Chapter 21. Performing a phased upgrade](#)
- [Chapter 22. Performing an automated VCS upgrade using response files](#)
- [Chapter 23. Performing a rolling upgrade](#)
- [Chapter 24. Upgrading using Live Upgrade](#)
- [Chapter 25. Upgrading the Solaris operating system](#)

# Planning to upgrade VCS

This chapter includes the following topics:

- [About upgrading to VCS 6.0](#)
- [VCS supported upgrade paths](#)
- [Upgrading VCS in secure enterprise environments](#)

## About upgrading to VCS 6.0

You can upgrade VCS using one of the following methods:

- Typical upgrade using Veritas product installer or the `installvcs` program  
See [“VCS supported upgrade paths”](#) on page 229.  
See [“Upgrading VCS using the script-based installer”](#) on page 233.
- Typical upgrade using Veritas Web installer  
See [“VCS supported upgrade paths”](#) on page 229.  
See [“Upgrading Veritas Cluster Server using the Veritas Web-based installer”](#) on page 235.
- Phased upgrade to reduce downtime  
See [“Performing a phased upgrade”](#) on page 240.
- Automated upgrade using response files  
See [“VCS supported upgrade paths”](#) on page 229.  
See [“Upgrading VCS using response files”](#) on page 258.
- Upgrade using supported native operating system utility  
Live Upgrade  
See [“About Live Upgrade”](#) on page 268.
- Rolling upgrade to minimize downtime

See [“Performing a rolling upgrade of VCS using the Web-based installer”](#) on page 266.

You can upgrade VCS 6.0 to Storage Foundation High Availability 6.0 using Veritas product installer or response files.

See the *Veritas Storage Foundation and High Availability Installation Guide*.

## VCS supported upgrade paths

[Table 19-1](#) lists the supported upgrade paths for Solaris SPARC.

**Table 19-1** Supported upgrade paths for Solaris SPARC

Current version of VCS	Solaris 8 or older	Solaris 9	Solaris 10
3.5 3.5 MP4	No upgrade path exists. Uninstall VCS.	No upgrade path exists. Uninstall VCS.	Not applicable
4.0 4.0 MP1 4.0 MP2	Upgrade the operating system to at least Solaris 10.  Use the installer to perform a full installation of VCS 6.0.	Upgrade the operating system to at least Solaris 10.  Use the installer to perform a full installation of VCS 6.0.	
4.1 4.1 MP1 4.1 MP2	No upgrade path exists. Uninstall VCS.  Upgrade the operating system to at least Solaris 10.  Use the installer to perform a full installation of VCS 6.0.	No upgrade path exists. Uninstall VCS.  Upgrade the operating system to at least Solaris 10.  Use the installer to perform a full installation of VCS 6.0.	No upgrade path exists.  Uninstall VCS and then use the installer to perform a full installation of VCS 6.0.

**Table 19-1** Supported upgrade paths for Solaris SPARC (*continued*)

Current version of VCS	Solaris 8 or older	Solaris 9	Solaris 10
5.0 5.0 MP1	No upgrade path exists. Uninstall VCS.  Upgrade the operating system to at least Solaris 10.  Use the installer to perform a full installation of VCS 6.0.	No upgrade path exists. Uninstall VCS.  Upgrade the operating system to at least Solaris 10.  Use the installer to perform a full installation of VCS 6.0.	No upgrade path exists.  Uninstall VCS and then use the installer to perform a full installation of VCS 6.0.
5.0 MP3 5.0 MP3RPs	No upgrade path exists. Uninstall VCS.  Upgrade the operating system to at least Solaris 10.  Use the installer to perform a full installation of VCS 6.0.	No upgrade path exists. Uninstall VCS.  Upgrade the operating system to at least Solaris 10.  Use the installer to perform a full installation of VCS 6.0.	Upgrade directly to VCS 6.0 using the installer script.
5.1 5.1RPs 5.1SP1 5.1SP1RPs	Not applicable	No upgrade path exists. Uninstall VCS.  Upgrade the operating system to at least Solaris 10.  Use the installer to perform a full installation of VCS 6.0.	Upgrade directly to VCS 6.0 using the installer script.

[Table 19-2](#) lists the supported upgrade paths for the Solaris x64 Platform Edition.

**Table 19-2** Supported upgrade paths for Solaris x64 Platform Edition

Current version of VCS	Solaris 10
4.1 4.1 Phase 2	No upgrade path exists. Uninstall VCS.  Use the installer to perform a full installation of VCS 6.0.

**Table 19-2** Supported upgrade paths for Solaris x64 Platform Edition  
*(continued)*

Current version of VCS	Solaris 10
5.0	No upgrade path exists. Uninstall VCS.
5.0 MP1	Use the installer to perform a full installation of VCS 6.0.
5.0 MP3 5.0 MP3RPs	Use the installer to upgrade to VCS 6.0.
5.1 5.1RPs 5.1SP1 5.1SP1RPs	Use the installer to upgrade to VCS 6.0.

## Upgrading VCS in secure enterprise environments

In secure enterprise environments, ssh or rsh communication is not allowed between systems. In such cases, the `installvcs` program can upgrade VCS only on systems with which it can communicate (most often the local system only).

### To upgrade VCS in secure enterprise environments with no rsh or ssh communication

- 1 Run the `installvcs` program on each node to upgrade the cluster to VCS 6.0.

On each node, the `installvcs` program updates the configuration, stops the cluster, and then upgrades VCS on the node. The program also generates a cluster UUID on the node. Each node may have a different cluster UUID at this point.

- 2 Start VCS on the first node.

```
# hastart
```

VCS generates the cluster UUID on this node. Run the following command to display the cluster UUID on the local node:

```
# /opt/VRTSvcs/bin/uuidconfig.pl -clus -display systemname
```

- 3 On each of the other nodes, perform the following steps:
  - Set the value of the `VCS_HOST` environment variable to the name of the first node.

- Display the value of the CID attribute that stores the cluster UUID value:  

```
# haclus -value CID
```
- Copy the output of the CID attribute to the file `/etc/vx/.uuids/clusuuid`.
- Update the `VCS_HOST` environment variable to remove the set value.
- Start VCS.  
 The node must successfully join the already running nodes in the cluster.  
 See [“Verifying LLT, GAB, and cluster operation”](#) on page 307.

# Performing a typical VCS upgrade using the installer

This chapter includes the following topics:

- [Before upgrading using the script-based or Web-based installer](#)
- [Upgrading VCS using the script-based installer](#)
- [Upgrading Veritas Cluster Server using the Veritas Web-based installer](#)

## Before upgrading using the script-based or Web-based installer

Before you upgrade VCS, perform the following steps. You first need to remove deprecated resource types and modify changed values.

**To prepare to upgrade to VCS 6.0**

- ◆ Make sure that all non-global zones are booted and in the running state before you install or upgrade the VCS packages in the global zone. If the non-global zones are not mounted and running at the time of upgrade, you must upgrade each package in each non-global zone manually.

## Upgrading VCS using the script-based installer

You can use the product installer to upgrade VCS.

### To upgrade VCS using the product installer

- 1 Log in as superuser and mount the product disc.
- 2 Start the installer.

```
# ./installer
```

The installer starts the product installation program with a copyright message. It then specifies where it creates the logs. Note the log's directory and name.

- 3 From the opening Selection Menu, choose: **G** for "Upgrade a Product."
- 4 Choose **1** for Full Upgrade.
- 5 Enter the names of the nodes that you want to upgrade. Use spaces to separate node names. Press the Enter key to proceed.

The installer runs some verification checks on the nodes.

- 6 When the verification checks are complete, the installer asks if you agree with the terms of the End User License Agreement. Press **y** to agree and continue.

The installer lists the packages to upgrade.

- 7 The installer asks if you want to stop VCS processes. Press the Enter key to continue.

The installer stops VCS processes, uninstalls packages, installs or upgrades packages, and configures VCS.

The installer lists the nodes that Symantec recommends you restart.

- 8 The installer asks if you would like to send the information about this installation to Symantec to help improve installation in the future. Enter your response.

The installer displays the location of log files, summary file, and response file.

- 9 If you want to upgrade CP server systems that use VCS or SFHA to VCS 6.0, make sure that you first upgrade all application clusters to version VCS 6.0. Then, upgrade VCS or SFHA on the CP server systems.

For instructions to upgrade VCS or SFHA, see the *Veritas Cluster Server Installation Guide* or the *Storage Foundation and High Availability Installation Guide*.

If you are upgrading from 4.x, you may need to create new VCS accounts if you used native OS accounts.

See [“Creating new VCS accounts if you used native operating system accounts”](#) on page 407.

# Upgrading Veritas Cluster Server using the Veritas Web-based installer

This section describes upgrading VCS with the Veritas Web-based installer. The installer detects and upgrades the product that is currently installed on the specified system or systems.

## To upgrade VCS

- 1 Perform the required steps to save any data that you wish to preserve. For example, make configuration file backups.
- 2 If you are upgrading a high availability (HA) product, take all service groups offline. List all service groups:

```
# /opt/VRTSvcs/bin/hagrp -list
```

For each service group listed, take it offline:

```
# /opt/VRTSvcs/bin/hagrp -offline service_group -all
```

- 3 Start the Web-based installer.  
See [“Starting the Veritas Web-based installer”](#) on page 141.
- 4 On the Select a task and a product page, select **Upgrade a Product** from the Task drop-down menu.  
The installer detects the product that is installed on the specified system. Click **Next**.
- 5 Indicate the systems on which to upgrade. Enter one or more system names, separated by spaces. Click **Next**.
- 6 On the License agreement page, select whether you accept the terms of the End User License Agreement (EULA). To continue, select **Yes I agree** and click **Next**.
- 7 Click **Next** to complete the upgrade.  
After the upgrade completes, the installer displays the location of the log and summary files. If required, view the files to confirm the installation status.
- 8 After the upgrade, if the product is not configured, the Web-based installer asks: "Do you want to configure this product?" If the product is already configured, it will not ask any questions.

- 9 Click **Finish**. The installer prompts you for another task.
- 10 If you want to upgrade VCS or SFHA 5.1 on the CP server systems to version VCS 6.0, make sure that you upgraded all application clusters to version VCS 6.0. Then, upgrade VCS or SFHA on the CP server systems. For instructions to upgrade VCS or SFHA, see the VCS or SFHA Installation Guide.

If you are upgrading from 4.x, you may need to create new VCS accounts if you used native operating system accounts.

See [“Creating new VCS accounts if you used native operating system accounts”](#) on page 407.

# Performing a phased upgrade

This chapter includes the following topics:

- [About phased upgrade](#)
- [Performing a phased upgrade](#)

## About phased upgrade

Perform a phased upgrade to minimize the downtime for the cluster. Depending on the situation, you can calculate the approximate downtime as follows:

You can fail over all your service groups to the nodes that are up. Downtime equals the time that is taken to offline and online the service groups.

You have a service group that you cannot fail over to a node that runs during upgrade. Downtime for that service group equals the time that is taken to perform an upgrade and restart the node.

## Prerequisites for a phased upgrade

Before you start the upgrade, confirm that you have licenses for all the nodes that you plan to upgrade.

## Planning for a phased upgrade

Plan out the movement of the service groups from node-to-node to minimize the downtime for any particular service group.

Some rough guidelines follow:

- Split the cluster into two sub-clusters of equal or near equal size.
- Split the cluster so that your high priority service groups remain online during the upgrade of the first subcluster.
- Before you start the upgrade, back up the VCS configuration files `main.cf` and `types.cf` which are in the directory `/etc/VRTSvcs/conf/config/`.

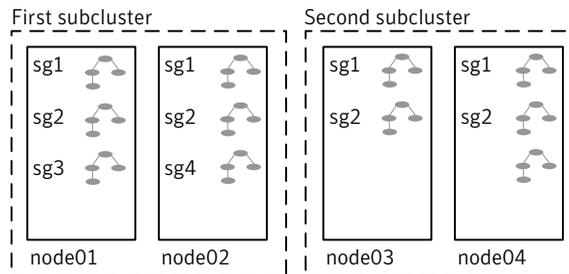
## Phased upgrade limitations

The following limitations primarily describe not to tamper with configurations or service groups during the phased upgrade:

- While you perform the upgrades, do not start any modules.
- When you start the installer, only select VCS.
- While you perform the upgrades, do not add or remove service groups to any of the nodes.
- After you upgrade the first half of your cluster (the first subcluster), you need to set up password-less SSH. Create the connection between an upgraded node in the first subcluster and a node from the other subcluster. The node from the other subcluster is where you plan to run the installer and also plan to upgrade.
- Depending on your configuration, you may find that you cannot upgrade multiple nodes at the same time. You may only be able to upgrade one node at a time.
- For very large clusters, you might have to repeat these steps multiple times to upgrade your cluster.

## Phased upgrade example

In this example, you have a secure cluster that you have configured to run on four nodes: `node01`, `node02`, `node03`, and `node04`. You also have four service groups: `sg1`, `sg2`, `sg3`, and `sg4`. For the purposes of this example, the cluster is split into two subclusters. The nodes `node01` and `node02` are in the first subcluster, which you first upgrade. The nodes `node03` and `node04` are in the second subcluster, which you upgrade last.

**Figure 21-1** Example of phased upgrade set up

Each service group is running on the nodes as follows:

- sg1 and sg2 are parallel service groups and run on all the nodes.
- sg3 and sg4 are failover service groups. sg3 runs on node01 and sg4 runs on node02.

In your system list, you have each service group that fails over to other nodes as follows:

- sg1 and sg2 are running on all the nodes.
- sg3 and sg4 can fail over to any of the nodes in the cluster.

## Phased upgrade example overview

This example's upgrade path follows:

- Move all the failover service groups from the first subcluster to the second subcluster.
- Take all the parallel service groups offline on the first subcluster.
- Upgrade the operating system on the first subcluster's nodes, if required.
- On the first subcluster, start the upgrade using the installation program.
- Get the second subcluster ready.
- Activate the first subcluster.
- Upgrade the operating system on the second subcluster's nodes, if required.
- On the second subcluster, start the upgrade using the installation program.
- Activate the second subcluster.

See [“Performing a phased upgrade”](#) on page 240.

## Performing a phased upgrade

This section explains how to perform a phased upgrade of VCS on four nodes with four service groups. Note that in this scenario, VCS and the service groups cannot stay online on the second subcluster during the upgrade of the second subcluster. Do not add, remove, or change resources or service groups on any nodes during the upgrade. These changes are likely to get lost after the upgrade.

An example of a phased upgrade follows. It illustrates the steps to perform a phased upgrade. The example makes use of a secure VCS cluster.

You can perform a phased upgrade from VCS 5.1 or other supported previous versions to VCS 6.0.

See [“About phased upgrade”](#) on page 237.

See [“Phased upgrade example”](#) on page 238.

## Moving the service groups to the second subcluster

Perform the following steps to establish the service group's status and to switch the service groups.

**To move service groups to the second subcluster**

- 1 On the first subcluster, determine where the service groups are online.

```
# hagr -state
```

The output resembles:

```
#Group   Attribute System Value
sg1      State     node01 | ONLINE |
sg1      State     node02 | ONLINE |
sg1      State     node03 | ONLINE |
sg1      State     node04 | ONLINE |
sg2      State     node01 | ONLINE |
sg2      State     node02 | ONLINE |
sg2      State     node03 | ONLINE |
sg2      State     node04 | ONLINE |
sg3      State     node01 | ONLINE |
sg3      State     node02 | OFFLINE |
sg3      State     node03 | OFFLINE |
sg3      State     node04 | OFFLINE |
sg4      State     node01 | OFFLINE |
sg4      State     node02 | ONLINE |
sg4      State     node03 | OFFLINE |
sg4      State     node04 | OFFLINE |
```

- 2 Offline the parallel service groups (sg1 and sg2) from the first subcluster. Switch the failover service groups (sg3 and sg4) from the first subcluster (node01 and node02) to the nodes on the second subcluster (node03 and node04).

```
# hagr -offline sg1 -sys node01
# hagr -offline sg2 -sys node01
# hagr -offline sg1 -sys node02
# hagr -offline sg2 -sys node02
# hagr -switch sg3 -to node03
# hagr -switch sg4 -to node04
```

- 3 On the nodes in the first subcluster, unmount all the VxFS file systems that VCS does not manage, for example:

```

# df -k

Filesystem            kbytes    used  avail capacity  Mounted on
/dev/dsk/c1t0d0s0    66440242 10114415 55661425   16% /
/devices              0          0        0      0% /devices
ctfs                  0          0        0      0% /system/contract
proc                  0          0        0      0% /proc
mnttab                0          0        0      0% /etc/mnttab
swap                  5287408    1400 5286008    1% /etc/svc/volatile
objfs                  0          0        0      0% /system/object
sharefs                0          0        0      0% /etc/dfs/sharetab
/platform/sun4u-us3/lib/libc_psr/libc_psr_hwcap1.so.1
66440242 10114415 55661425   16% /platform/sun4u-us3/lib/
libc_psr.so.1
/platform/sun4u-us3/lib/sparcv9/libc_psr/libc_psr_hwcap1.so.1
66440242 10114415 55661425   16% /platform/sun4u-us3/lib/
sparcv9/libc_psr.so.1
fd                    0          0        0      0% /dev/fd
swap                  5286064    56 5286008    1% /tmp
swap                  5286056    48 5286008    1% /var/run
swap                  5286008    0 5286008    0% /dev/vx/dmp
swap                  5286008    0 5286008    0% /dev/vx/rdmp
3.0G 18M 2.8G 1% /mnt/dg2/dg2vol1
/dev/vx/dsk/dg2/dg2vol2
1.0G 18M 944M 2% /mnt/dg2/dg2vol2
/dev/vx/dsk/dg2/dg2vol3
10G 20M 9.4G 1% /mnt/dg2/dg2vol3

# umount /mnt/dg2/dg2vol1
# umount /mnt/dg2/dg2vol2
# umount /mnt/dg2/dg2vol3
    
```

- 4 On the nodes in the first subcluster, stop all VxVM volumes (for each disk group) that VCS does not manage.
- 5 Make the configuration writable on the first subcluster.

```
# haconf -makerw
```

6 Freeze the nodes in the first subcluster.

```
# hasys -freeze -persistent node01
# hasys -freeze -persistent node02
```

7 Dump the configuration and make it read-only.

```
# haconf -dump -makero
```

8 Verify that the service groups are offline on the first subcluster that you want to upgrade.

```
# hagrps -state
```

Output resembles:

```
#Group Attribute System Value
sg1 State node01 |OFFLINE|
sg1 State node02 |OFFLINE|
sg1 State node03 |ONLINE|
sg1 State node04 |ONLINE|
sg2 State node01 |OFFLINE|
sg2 State node02 |OFFLINE|
sg2 State node03 |ONLINE|
sg2 State node04 |ONLINE|
sg3 State node01 |OFFLINE|
sg3 State node02 |OFFLINE|
sg3 State node03 |ONLINE|
sg3 State node04 |OFFLINE|
sg4 State node01 |OFFLINE|
sg4 State node02 |OFFLINE|
sg4 State node03 |OFFLINE|
sg4 State node04 |ONLINE|
```

9 Perform this step on the nodes (node01 and node02) in the first subcluster if the cluster uses I/O Fencing. Use an editor of your choice and change the following:

- In the `/etc/vxfenmode` file, change the value of the `vxfen_mode` variable from `scsi3` to `disabled`. Ensure that the line in the `vxfenmode` file resembles:

```
vxfen_mode=disabled
```

- In the `/etc/VRTSvcs/conf/config/main.cf` file, change the value of the `UseFence` attribute from `SCSI3` to `NONE`. Ensure that the line in the `main.cf` file resembles:

```
UseFence = NONE
```

- 10 Back up the `llttab`, `llthosts`, `gabtab`, `types.cf`, `main.cf` and AT configuration files on the first subcluster.

```
# cp /etc/llttab /etc/llttab.bkp
# cp /etc/llthosts /etc/llthosts.bkp
# cp /etc/gabtab /etc/gabtab.bkp
# cp /etc/VRTSvcs/conf/config/main.cf \
    /etc/VRTSvcs/conf/config/main.cf.bkp
# cp /etc/VRTSvcs/conf/config/types.cf \
    /etc/VRTSvcs/conf/config/types.cf.bkp
# /opt/VRTSat/bin/vssat showbackuplist
B|/var/VRTSat/.VRTSat/profile/VRTSatlocal.conf
B|/var/VRTSat/.VRTSat/profile/certstore
B|/var/VRTSat/ABAuthSource
B|/etc/vx/vss/VRTSat.conf
Quiescing ...
Snapshot Directory :/var/VRTSatSnapshot
```

## Upgrading the operating system on the first subcluster

You can perform the operating system upgrade on the first subcluster, if required. Refer to the operating system's documentation for more information.

## Upgrading the first subcluster

You now navigate to the installer program and start it.

### To start the installer for the phased upgrade

- 1 Confirm that you are logged on as the superuser and you mounted the product disc.
- 2 Make sure that you can `ssh` or `rsh` from the node where you launched the installer to the nodes in the second subcluster without requests for a password.
- 3 Navigate to the folder that contains `installvcs`.

```
# cd cluster_server
```

- 4 Start the `installvcs` program, specify the nodes in the first subcluster (node1 and node2).

```
# ./installvcs node1 node2
```

The program starts with a copyright message and specifies the directory where it creates the logs.

- 5 Enter **y** to agree to the End User License Agreement (EULA).

```
Do you agree with the terms of the End User License Agreement
as specified in the cluster_server/EULA/<lang>/EULA_VCS_Ux_6.0.pdf
file present on media? [y,n,q,?] y
```

- 6 Review the available installation options.

See [“Veritas Cluster Server installation packages”](#) on page 371.

- 1 Installs only the minimal required VCS packages that provides basic functionality of the product.

- 2 Installs the recommended VCS packages that provide complete functionality of the product. This option does not install the optional VCS packages.

Note that this option is the default.

- 3 Installs all the VCS packages.

You must choose this option to configure any optional VCS feature.

- 4 Displays the VCS packages for each option.

For this example, select 3 for all packages.

```
Select the packages to be installed on all systems? [1-4,q,?] (2) 3
```

- 7 The installer performs a series of checks and tests to ensure communications, licensing, and compatibility.

- 8 When you are prompted, reply **y** to continue with the upgrade.

```
Do you want to continue? [y,n,q] (y)
```

- 9 When you are prompted, reply **y** to stop appropriate processes.

```
Do you want to stop VCS processes? [y,n,q] (y)
```

**10** The installer ends for the first subcluster with the following output:

```
Configuring VCS: 100%

Estimated time remaining: 0:00

Performing VCS upgrade configuration ..... Done

Veritas Cluster Server Configure completed successfully
```

```
You are performing phased upgrade (Phase 1) on the systems.
Follow the steps in install guide to upgrade the remaining
systems.
```

```
Would you like to send the information about this installation to
Symantec to help improve installation in the future? [y,n,q,?] (y)
```

```
The upgrade is finished on the first subcluster. Do not reboot the nodes in the
first subcluster until you complete the Preparing the second subcluster
procedure.
```

**11** In the `/etc/default/llt` file, set `LLT_START = 0`.

## Preparing the second subcluster

Perform the following steps on the second subcluster before rebooting nodes in the first subcluster.

**To prepare to upgrade the second subcluster**

**1** Get the summary of the status of your resources.

```
# hastatus -summ
-- SYSTEM STATE
-- System                State                Frozen

A  node01                EXITED                1
A  node02                EXITED                1
A  node03                RUNNING              0
A  node04                RUNNING              0

-- GROUP STATE
-- Group                System  Probed    AutoDisabled  State

B  SG1                  node01  Y         N              OFFLINE
B  SG1                  node02  Y         N              OFFLINE
B  SG1                  node03  Y         N              ONLINE
B  SG1                  node04  Y         N              ONLINE
B  SG2                  node01  Y         N              OFFLINE
B  SG2                  node02  Y         N              OFFLINE
B  SG2                  node03  Y         N              ONLINE
B  SG2                  node04  Y         N              ONLINE
B  SG3                  node01  Y         N              OFFLINE
B  SG3                  node02  Y         N              OFFLINE
B  SG3                  node03  Y         N              ONLINE
B  SG3                  node04  Y         N              OFFLINE
B  SG4                  node01  Y         N              OFFLINE
B  SG4                  node02  Y         N              OFFLINE
B  SG4                  node03  Y         N              OFFLINE
B  SG4                  node04  Y         N              ONLINE
```

## 2 Unmount all the VxFS file systems that VCS does not manage, for example:

```

# df -k

Filesystem                kbytes    used  avail capacity  Mounted on
/dev/dsk/clt0d0s0        66440242 10114415 55661425    16%    /
/devices                  0          0        0         0%    /devices
ctfs                      0          0        0         0%    /system/contract
proc                      0          0        0         0%    /proc
mnttab                    0          0        0         0%    /etc/mnttab
swap                      5287408    1400 5286008     1%    /etc/svc/volatile
objfs                     0          0        0         0%    /system/object
sharefs                   0          0        0         0%    /etc/dfs/sharetab
/platform/sun4u-us3/lib/libc_psr/libc_psr_hwcap1.so.1
                        66440242 10114415 55661425    16%    /platform/sun4u-us3/
lib/libc_psr.so.1
/platform/sun4u-us3/lib/sparcv9/libc_psr/libc_psr_hwcap1.so.1
                        66440242 10114415 55661425    16%    /platform/sun4u-us3/
lib/sparcv9/libc_psr.so.1
fd                          0          0        0         0%    /dev/fd
swap                       5286064     56 5286008     1%    /tmp
swap                       5286056     48 5286008     1%    /var/run
swap                       5286008      0 5286008     0%    /dev/vx/dmp
swap                       5286008      0 5286008     0%    /dev/vx/rdmp
                        3.0G    18M    2.8G     1% /mnt/dg2/dg2vol1
/dev/vx/dsk/dg2/dg2vol2
                        1.0G    18M   944M     2% /mnt/dg2/dg2vol2
/dev/vx/dsk/dg2/dg2vol3
                        10G    20M   9.4G     1% /mnt/dg2/dg2vol3

# umount /mnt/dg2/dg2vol1
# umount /mnt/dg2/dg2vol2
# umount /mnt/dg2/dg2vol3
    
```

## 3 Stop all VxVM volumes (for each disk group) that VCS does not manage.

## 4 Make the configuration writable on the second subcluster.

```
# haconf -makerw
```

5 Unfreeze the service groups.

```
# hagrps -unfreeze sg1 -persistent
# hagrps -unfreeze sg2 -persistent
# hagrps -unfreeze sg3 -persistent
# hagrps -unfreeze sg4 -persistent
```

6 Dump the configuration and make it read-only.

```
# haconf -dump -makero
```

7 Take the service groups offline on node03 and node04.

```
# hagrps -offline sg1 -sys node03
# hagrps -offline sg1 -sys node04
# hagrps -offline sg2 -sys node03
# hagrps -offline sg2 -sys node04
# hagrps -offline sg3 -sys node03
# hagrps -offline sg4 -sys node04
```

8 Verify the state of the service groups.

```
# hagrps -state
#Group      Attribute  System  Value
SG1         State     node01  |OFFLINE|
SG1         State     node02  |OFFLINE|
SG1         State     node03  |OFFLINE|
SG1         State     node04  |OFFLINE|
SG2         State     node01  |OFFLINE|
SG2         State     node02  |OFFLINE|
SG2         State     node03  |OFFLINE|
SG2         State     node04  |OFFLINE|
SG3         State     node01  |OFFLINE|
SG3         State     node02  |OFFLINE|
SG3         State     node03  |OFFLINE|
SG3         State     node04  |OFFLINE|
```

9 Perform this step on node03 and node04 if the cluster uses I/O Fencing. Use an editor of your choice and change the following:

- In the `/etc/vxfenmode` file, change the value of the `vxfen_mode` variable from `scsi3` to `disabled`. Ensure that the line in the `vxfenmode` file resembles:

```
vxfen_mode=disabled
```

- In the `/etc/VRTSvcs/conf/config/main.cf` file, change the value of the `UseFence` attribute from `SCSI3` to `NONE`. Ensure that the line in the `main.cf` file resembles:

```
UseFence = NONE
```

## 10 Stop VCS, I/O Fencing, GAB, and LLT on node03 and node04.

- Solaris 9:

```
# /opt/VRTSvcs/bin/hastop -local
# /etc/init.d/vxfen stop
# /etc/init.d/gab stop
# /etc/init.d/llt stop
```

- Solaris 10:

```
# /opt/VRTSvcs/bin/hastop -local
# svcadm disable -t /system/vxfen
# svcadm disable -t /system/gab
# svcadm disable -t /system/llt
```

## 11 Make sure that the VXFEN, GAB, and LLT modules on node03 and node04 are not loaded.

- Solaris 9:

```
# /etc/init.d/vxfen status
VXFEN module is not loaded
```

```
# /etc/init.d/gab status
GAB module is not loaded
```

```
# /etc/init.d/llt status
LLT module is not loaded
```

- Solaris 10:

```
# /lib/svc/method/vxfen status
VXFEN module is not loaded
```

```
# /lib/svc/method/gab status
GAB module is not loaded
```

```
# /lib/svc/method/llt status
LLT module is not loaded
```

## Activating the first subcluster

Get the first subcluster ready for the service groups.

---

**Note:** These steps fulfill part of the installer's output instructions, see [Upgrading the first subcluster](#) step 10.

---

### To activate the first subcluster

- 1 Perform this step on node01 and node02 if the cluster uses I/O Fencing. Use an editor of your choice and revert the following to an enabled state before you reboot the first subcluster's nodes:

- In the `/etc/VRTSvcs/conf/config/main.cf` file, change the value of the `UseFence` attribute from `NONE` to `SCSI3`. Ensure that the line in the `main.cf` file resembles:

```
UseFence = SCSI3
```

- In the `/etc/vxfenmode` file, change the value of the `vxfen_mode` variable from `disabled` to `scsi3`. Ensure that the line in the `vxfenmode` file resembles:

```
vxfen_mode=scsi3
```

- 2 Reboot the node01 and node02 in the first subcluster.

```
# /usr/sbin/shutdown -y -i6 -g0
```

- 3 Seed node01 and node02 in the first subcluster.

```
# gabconfig -xc
```

- 4 For nodes that use Solaris 10, start VCS in first half of the cluster:

```
# svcadm enable system/vcs
```

- 5 Start VCS on node01 and node02. On each node run:

```
# hastart
```

- 6 Make the configuration writable on the first subcluster.

```
# haconf -makerw
```

- 7 Unfreeze the nodes in the first subcluster.

```
# hasys -unfreeze -persistent node01  
# hasys -unfreeze -persistent node02
```

- 8 Dump the configuration and make it read-only.

```
# haconf -dump -makero
```

- 9 Bring the service groups online on node01 and node02.

```
# hagrps -online sg1 -sys node01  
# hagrps -online sg1 -sys node02  
# hagrps -online sg2 -sys node01  
# hagrps -online sg2 -sys node02  
# hagrps -online sg3 -sys node01  
# hagrps -online sg4 -sys node02
```

## Upgrading the operating system on the second subcluster

You can perform the operating system upgrade on the second subcluster, if required. Refer to the operating system's documentation for more information.

Before you perform the operating system upgrade, make sure to disable VCS, VXFEN, GAB, and LLT.

### To disable VCS, VXFEN, GAB, and LLT

- 1 On the second subcluster, disable VCS so that it does not start after reboot. Edit the `vcs` file in `/etc/default`. Open the `vcs` file in an editor, and change the line that reads `VCS_START=1` to `VCS_START=0`. Save and close the file.
- 2 On the second subcluster, disable VXFEN so that it does not start after reboot. Edit the `vxfen` file in `/etc/default`. Open the `vxfen` file in an editor, and change the line that reads `VXFEN_START=1` to `VXFEN_START=0`. Save and close the file.
- 3 On the second subcluster, disable GAB so that it does not start after reboot. Edit the `gab` file in `/etc/default`. Open the `gab` file in an editor, and change the line that reads `GAB_START=1` to `GAB_START=0`. Save and close the file.

- 4 On the second subcluster, disable LLT so that it does not start after reboot. Edit the `llt` file in `/etc/default`. Open the `llt` file in an editor, and change the line that reads `LLT_START=1` to `LLT_START=0`. Save and close the file.
- 5 For a cluster that uses secure mode, create a password-less SSH connection. The connection is from the node where you plan to run the installer to one of the nodes that you have already upgraded.

## Upgrading the second subcluster

Perform the following procedure to upgrade the second subcluster (node03 and node04).

### To start the installer to upgrade the second subcluster

- 1 Confirm that you are logged on as the superuser and you mounted the product disc.
- 2 Navigate to the folder that contains `installvcs`.

```
# cd cluster_server
```

- 3 Confirm that VCS is stopped on node03 and node04. Start the `installvcs` program, specify the nodes in the second subcluster (node3 and node4).

```
# ./installvcs node3 node4
```

The program starts with a copyright message and specifies the directory where it creates the logs.

- 4 Enter **y** to agree to the End User License Agreement (EULA).

```
Do you agree with the terms of the End User License Agreement  
as specified in the cluster_server/EULA/<lang>/EULA_VCS_Ux_6.0.pdf  
file present on media? [y,n,q,?] y
```

**5** Review the available installation options.

See “[Veritas Cluster Server installation packages](#)” on page 371.

1. Installs only the minimal required VCS packages that provides basic functionality of the product.
2. Installs the recommended VCS packages that provide complete functionality of the product. This option does not install the optional VCS packages.

Note that this option is the default.

3. Installs all the VCS packages.

You must choose this option to configure any optional VCS feature.

4. Displays the VCS packages for each option.

For this example, select 3 for all packages.

Select the packages to be installed on all systems? [1-4,q,?] (2) 3

**6** The installer performs a series of checks and tests to ensure communications, licensing, and compatibility.

**7** When you are prompted, reply **y** to continue with the upgrade.

Do you want to continue? [y,n,q] (y)

**8** When you are prompted, reply **y** to stop VCS processes.

Do you want to stop VCS processes? [y,n,q] (y)

**9** Monitor the installer program answering questions as appropriate until the upgrade completes.

## Finishing the phased upgrade

Complete the following procedure to complete the upgrade.

## To finish the upgrade

- 1 Verify that the cluster UUID is the same on the nodes in the second subcluster and the first subcluster. Run the following command to display the cluster UUID:

```
# /opt/VRTSvcs/bin/uuidconfig.pl  
-clus -display node1 [node2 ...]
```

If the cluster UUID differs, manually copy the cluster UUID from a node in the first subcluster to the nodes in the second subcluster. For example:

```
# /opt/VRTSvcs/bin/uuidconfig.pl [-rsh] -clus  
-copy -from_sys node01 -to_sys node03 node04
```

- 2 Perform this step on node03 and node04 if the cluster uses I/O Fencing. Use an editor of your choice and revert the following to an enabled state before you reboot the second subcluster's nodes:

- In the `/etc/vxfenmode` file, change the value of the `vxfen_mode` variable from disabled to `scsi3`. Ensure that the line in the `vxfenmode` file resembles:

```
vxfen_mode=scsi3
```

- 3 Reboot the node03 and node04 in the second subcluster.

```
# /usr/sbin/shutdown -y -i6 -g0
```

The nodes in the second subcluster join the nodes in the first subcluster.

- 4 For nodes that use Solaris 10, start VCS in first half of the cluster:

```
# svcadm enable system/vcs
```

- 5 Check to see if VCS and its components are up.

```
# gabconfig -a  
GAB Port Memberships
```

```
=====  
Port a gen nxxxxnn membership 0123  
Port b gen nxxxxnn membership 0123  
Port h gen nxxxxnn membership 0123
```

## 6 Run an `hastatus -sum` command to determine the status of the nodes, service groups, and cluster.

```
# hastatus -sum

-- SYSTEM STATE
-- System          State          Frozen

A  node01          RUNNING        0
A  node02          RUNNING        0
A  node03          RUNNING        0
A  node04          RUNNING        0

-- GROUP STATE
-- Group   System   Probed   AutoDisabled   State
B  sg1     node01   Y          N              ONLINE
B  sg1     node02   Y          N              ONLINE
B  sg1     node03   Y          N              ONLINE
B  sg1     node04   Y          N              ONLINE
B  sg2     node01   Y          N              ONLINE
B  sg2     node02   Y          N              ONLINE
B  sg2     node03   Y          N              ONLINE
B  sg2     node04   Y          N              ONLINE
B  sg3     node01   Y          N              ONLINE
B  sg3     node02   Y          N              OFFLINE
B  sg3     node03   Y          N              OFFLINE
B  sg3     node04   Y          N              OFFLINE
B  sg4     node01   Y          N              OFFLINE
B  sg4     node02   Y          N              ONLINE
B  sg4     node03   Y          N              OFFLINE
B  sg4     node04   Y          N              OFFLINE
```

## 7 After the upgrade is complete, start the VxVM volumes (for each disk group) and mount the VxFS file systems.

In this example, you have performed a phased upgrade of VCS. The service groups were down when you took them offline on node03 and node04, to the time VCS brought them online on node01 or node02.

---

**Note:** If you want to upgrade Coordination Point (CP) server systems that use Veritas Cluster Server (VCS) or Storage Foundation High Availability (SFHA) to 6.0, make sure that you upgraded all application clusters to version 6.0. Then, upgrade VCS or SFHA on the CP server systems. For instructions to upgrade VCS or SFHA, see the VCS or SFHA Installation Guide.

---

# Performing an automated VCS upgrade using response files

This chapter includes the following topics:

- [Upgrading VCS using response files](#)
- [Response file variables to upgrade VCS](#)
- [Sample response file for upgrading VCS](#)

## Upgrading VCS using response files

Typically, you can use the response file that the installer generates after you perform VCS upgrade on one system to upgrade VCS on other systems. You can also create a response file using the `makeresponsefile` option of the installer.

### To perform automated VCS upgrade

- 1 Make sure the systems where you want to upgrade VCS meet the upgrade requirements.
- 2 Make sure the pre-upgrade tasks are completed.
- 3 Copy the response file to one of the systems where you want to upgrade VCS.  
See [“Sample response file for upgrading VCS”](#) on page 260.
- 4 Edit the values of the response file variables as necessary.  
See [“Response file variables to upgrade VCS”](#) on page 259.

- 5 Mount the product disc and navigate to the folder that contains the installation program.
- 6 Start the upgrade from the system to which you copied the response file. For example:

```
# ./installer -responsefile /tmp/response_file
# ./installvcs -responsefile /tmp/response_file
```

Where `/tmp/response_file` is the response file's full path name.

## Response file variables to upgrade VCS

Table 22-1 lists the response file variables that you can define to upgrade VCS.

**Table 22-1** Response file variables specific to upgrading VCS

Variable	List or Scalar	Description
CFG{opt}{upgrade}	Scalar	Upgrades VCS packages. (Required)
CFG{accepteula}	Scalar	Specifies whether you agree with EULA.pdf on the media. (Required)
CFG{systems}	List	List of systems on which the product is to be upgraded. (Required)
CFG{prod}	Scalar	Defines the product to be upgraded. The value is VCS60 for VCS. (Optional)
CFG{vcs_allowcomms}	Scalar	Indicates whether or not to start LLT and GAB when you set up a single-node cluster. The value can be 0 (do not start) or 1 (start). (Required)
CFG{opt}{keyfile}	Scalar	Defines the location of an ssh keyfile that is used to communicate with all remote systems. (Optional)

**Table 22-1** Response file variables specific to upgrading VCS (*continued*)

Variable	List or Scalar	Description
CFG{opt}{pkgpath}	Scalar	Defines a location, typically an NFS mount, from which all remote systems can install product packages. The location must be accessible from all target systems.  (Optional)
CFG{opt}{tmppath}	Scalar	Defines the location where a working directory is created to store temporary files and the packages that are needed during the install. The default location is /var/tmp.  (Optional)
CFG{opt}{logpath}	Scalar	Mentions the location where the log files are to be copied. The default location is /opt/VRTS/install/logs.  <b>Note:</b> The installer copies the response files and summary files also to the specified <i>logpath</i> location.  (Optional)
CFG{opt}{rsh}	Scalar	Defines that <i>rsh</i> must be used instead of <i>ssh</i> as the communication method between systems.  (Optional)

## Sample response file for upgrading VCS

Review the response file variables and their definitions.

See [“Response file variables to upgrade VCS”](#) on page 259.

```
#
# Configuration Values:
#
our %CFG;

$CFG{accepteula}=1;
```

```
$CFG{vcs_allowcomms}=1;  
$CFG{opt}{upgrade}=1;  
$CFG{prod}="VCS60";  
$CFG{systems}=[ qw( galaxy nebula ) ];  
1;
```

# Performing a rolling upgrade

This chapter includes the following topics:

- [About rolling upgrades](#)
- [Performing a rolling upgrade using the installer](#)
- [Performing a rolling upgrade of VCS using the Web-based installer](#)

## About rolling upgrades

The rolling upgrade minimizes downtime for highly available clusters to the amount of time that it takes to perform a service group failover. The rolling upgrade has two main phases where the installer upgrades kernel packages in phase 1 and VCS and VCS agent packages in phase 2.

---

**Note:** You need to perform a rolling upgrade on a completely configured cluster.

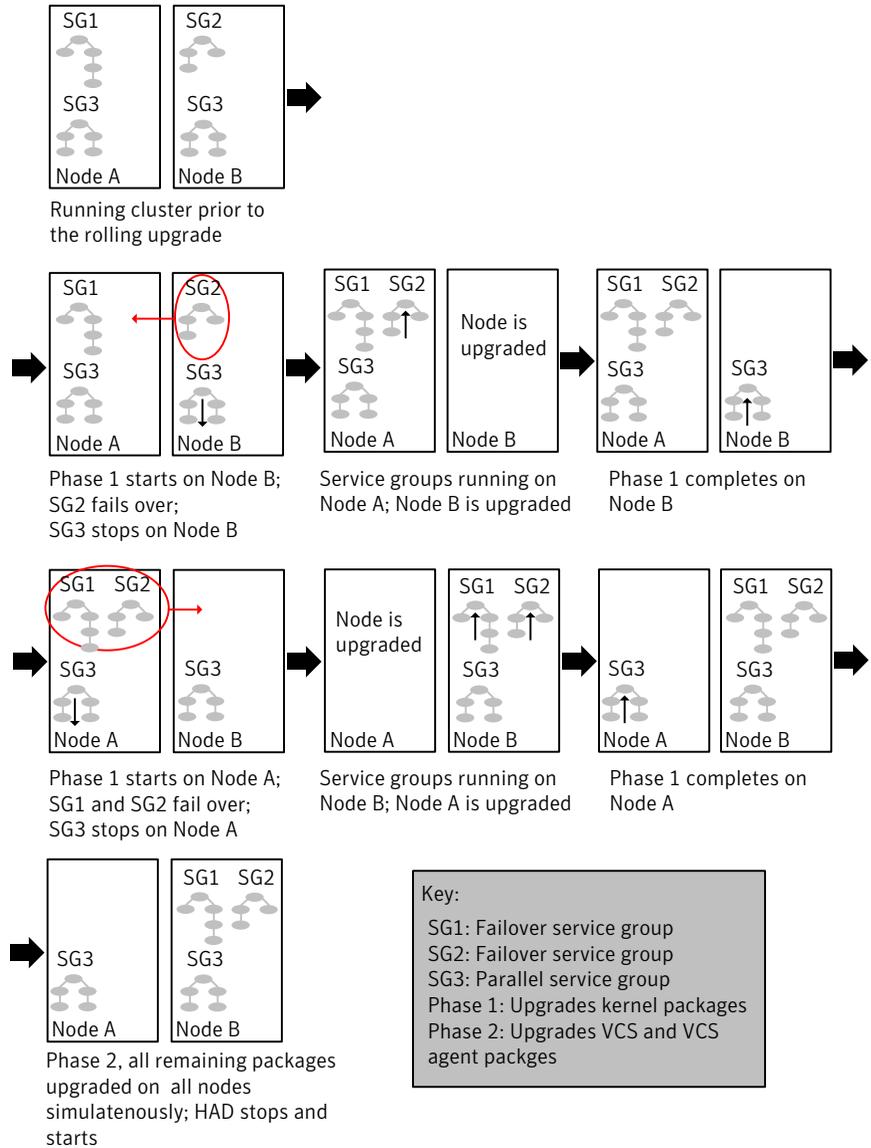
---

The following is an overview of the flow for a rolling upgrade:

1. The installer performs prechecks on the cluster.
2. The installer moves service groups to free nodes for the first phase of the upgrade as is needed. Application downtime occurs during the first phase as the installer moves service groups to free nodes for the upgrade. The only downtime that is incurred is the normal time required for the service group to fail over.
3. The installer performs the second phase of the upgrade on all of the nodes in the cluster. The second phase of the upgrade includes downtime of the Veritas Cluster Server (VCS) engine HAD, but does not include application downtime.

Figure 23-1 illustrates an example of the installer performing a rolling upgrade for three service groups on a two node cluster.

**Figure 23-1** Example of the installer performing a rolling upgrade



The following limitations apply to rolling upgrades:

- Rolling upgrades are not compatible with phased upgrades.
- Do not mix rolling upgrades and phased upgrades.
- You can perform a rolling upgrade from 5.1 and later versions.

## Performing a rolling upgrade using the installer

Use a rolling upgrade to upgrade Veritas Cluster Server to the latest release with minimal application downtime.

## Performing a rolling upgrade using the script-based installer

Before you start the rolling upgrade, make sure that Veritas Cluster Server (VCS) is running.

---

**Note:** Before performing a rolling upgrade from version 5.1SP1RP3 to version 6.0, install patch VRTSvxfen-5.1SP1RP3P2. For downloading the patch, search VRTSvxfen-5.1SP1RP3P2 in [Patch Lookup](#) on the [SORT](#) website.

---

### To perform a rolling upgrade

- 1 Complete the preparatory steps on the first sub-cluster.
- 2 Log in as superuser and mount the VCS VCS 6.0 installation media.
- 3 From root, start the installer.  

```
# ./installer
```
- 4 From the menu select `G) Upgrade a product;` then select `2) Rolling Upgrade;`.
- 5 The installer checks system communications, release compatibility, version information, and lists the cluster name, ID, and cluster nodes. Type **y** to continue.
- 6 The installer inventories the running service groups and determines the node or nodes to upgrade in phase 1 of the rolling upgrade. Type **y** to continue. If you choose to specify the nodes, type **n** and enter the names of the nodes.
- 7 The installer performs further prechecks on the nodes in the cluster and may present warnings. You can type **y** to continue or quit the installer and address the precheck's warnings.
- 8 Review the EULA, and type **y** if you agree to its terms.

- 9 The installer prompts you to stop the applicable processes. Type **y** to continue.  
 The installer fails over failover service groups to the node or nodes that are not upgraded at this time. The downtime is the time that it normally takes for the service group's failover. The installer stops parallel service groups on the nodes that are to be upgraded.
- 10 The installer stops relevant processes, uninstalls old kernel packages, and installs the new packages.  
 It performs the configuration for the upgrade and re-starts processes.  
 In case of failure in the startup of some of the processes, you may need to reboot the nodes and manually check the cluster's status.
- 11 Complete the preparatory steps on the nodes that you have not yet upgraded.
- 12 The installer begins phase 1 of the upgrade on the remaining node or nodes. Type **y** to continue the rolling upgrade.  
 If the installer reboots nodes, restart the installer.  
 The installer repeats step 6 through step 10.  
 For clusters with larger number of nodes, this process may repeat several times. Service groups come down and are brought up to accommodate the upgrade.
- 13 When phase 1 of the rolling upgrade completes, begin phase 2 of the upgrade. Phase 2 of the upgrade includes downtime for the VCS engine (HAD), which does not include application downtime. Type **y** to continue.  
 If the boot disk is encapsulated, you need to reboot nodes when phase 1 completes.
- 14 The installer determines the remaining packages to upgrade. Press **Enter** to continue.
- 15 The installer stops Veritas Cluster Server (VCS) processes. Type **y** to continue.  
 The installer performs prechecks, uninstalls old packages, and installs the new packages. It performs post-installation tasks, and the configuration for the upgrade.
- 16 Type **y** or **n** to help Symantec improve the automated installation.
- 17 If you have network connection to the Internet, the installer checks for updates. If updates are discovered, you can apply them now.

- 18 Upgrade application.
- 19 To upgrade VCS or Storage Foundation High Availability (SFHA) on the Coordination Point (CP) server systems to version 6.0, upgrade all the application clusters to 6.0. You then upgrade VCS or SFHA on the CP server systems.

For instructions to upgrade VCS or SFHA on the CP server systems, refer to the appropriate installation guide.

## Performing a rolling upgrade of VCS using the Web-based installer

This section describes using the Veritas Web-based installer to perform a rolling upgrade. The installer detects and upgrades the product that is currently installed on the specified system or systems. If you want to upgrade to a different product, you may need to perform additional steps.

See [“About rolling upgrades”](#) on page 262.

---

**Note:** Before performing a rolling upgrade from version 5.1SP1RP3 to version 6.0, install patch VRTSvxfen-5.1SP1RP3P2. For downloading the patch, search VRTSvxfen-5.1SP1RP3P2 in [Patch Lookup](#) on the [SORT](#) website.

---

### To start the rolling upgrade—phase 1

- 1 Complete the preparatory steps on the first sub-cluster.
- 2 Perform the required steps to save any data that you wish to preserve. For example, take back-ups of configuration files.
- 3 Start the Web-based installer.  
See [“Starting the Veritas Web-based installer”](#) on page 141.
- 4 In the Task pull-down menu, select **G) Upgrade a product;** then select **2) Rolling Upgrade;**  
Click the **Next** button to proceed.
- 5 Review the systems that the installer has chosen to start the rolling upgrade. These systems are chosen to minimize downtime during the upgrade.  
Click **Yes** to proceed.  
The installer validates systems. If it throws an error, address the error and return to the installer.

- 6 Review the End User License Agreement (EULA). To continue, select **Yes I agree** and click **Next**.
- 7 The installer stops all processes. Click **Next** to proceed.
- 8 The installer removes old software and upgrades the software on the systems that you selected. Review the output and click the **Next** button when prompted. The installer starts all the relevant processes and brings all the service groups online.  
If the installer reboots nodes, restart the installer.
- 9 Complete the preparatory steps on the nodes that you have not yet upgraded.
- 10 When prompted, perform step 4 through step 8 on the nodes that you have not yet upgraded.
- 11 When prompted, start phase 2. Click **Yes** to continue with the rolling upgrade.  
You may need to restart the Web-based installer to perform phase 2.  
See [“Starting the Veritas Web-based installer”](#) on page 141.

#### To upgrade the non-kernel components—phase 2

- 1 In the Task pull-down menu, make sure that **Rolling Upgrade** is selected.  
Click the **Next** button to proceed.
- 2 The installer detects the information of cluster and the state of rolling upgrade.  
The installer validates systems and stops processes. If it throws an error, address the error and return to the installer.
- 3 Review the End User License Agreement (EULA). To continue, select **Yes I agree** and click **Next**.
- 4 The installer validates systems. If it throws an error, address the error and return to the installer. Click **Next** to proceed.
- 5 The installer stops all processes. Click **Next** to proceed.
- 6 The installer removes old software and upgrades the software on the systems that you selected. Review the output and click the **Next** button when prompted. The installer starts all the relevant processes and brings all the service groups online.
- 7 If you have network connection to the Internet, the installer checks for updates.  
If updates are discovered, you can apply them now.
- 8 Upgrade application.  
The upgrade is complete.

# Upgrading using Live Upgrade

This chapter includes the following topics:

- [About Live Upgrade](#)
- [Supported upgrade paths for Live Upgrade](#)
- [Before you upgrade VCS using Solaris Live Upgrade](#)
- [Upgrading VCS and Solaris using Live Upgrade](#)
- [Upgrading Solaris using Live Upgrade](#)
- [Upgrading VCS using Live Upgrade](#)
- [Administering boot environments](#)

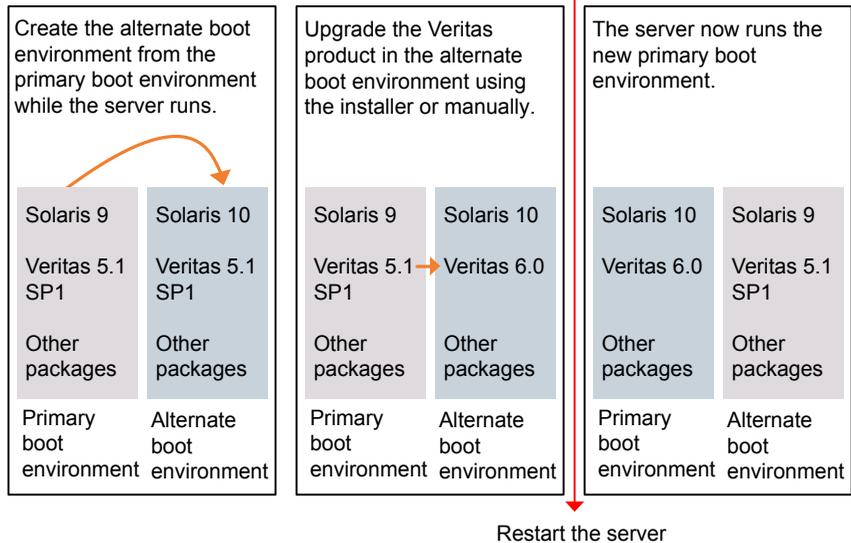
## About Live Upgrade

You can use Live Upgrade to perform the following types of upgrade:

- Upgrade the operating system and VCS.  
See [“Upgrading VCS and Solaris using Live Upgrade”](#) on page 273.
- Upgrade the operating system.  
See [“Upgrading Solaris using Live Upgrade”](#) on page 280.
- Upgrade VCS.  
See [“Upgrading VCS using Live Upgrade”](#) on page 282.

[Figure 24-1](#) illustrates an example of an upgrade of Veritas products from 5.1 SP1 to 6.0, and the operating system from Solaris 9 to Solaris 10.

**Figure 24-1** Live Upgrade process



Some service groups (failover and parallel) may be online in this cluster and they are not affected by the Live Upgrade process. The only downtime experienced is when the server is rebooted to boot into the alternate boot disk.

## Veritas Cluster Server exceptions for Live Upgrade

If you have configured I/O Fencing or Veritas File System or Veritas Volume Manager, use the Live Upgrade instructions in the *Storage Foundation and High Availability Installation Guide*.

## Supported upgrade paths for Live Upgrade

The systems where you plan to use Live Upgrade must run Solaris 9 or Solaris 10. You can upgrade from systems that run Solaris 9, but VCS 6.0 is not supported on Solaris 9.

For Solaris 10, make sure that all non-global zones are booted and in the running state before you use the Symantec product installer to upgrade the Storage Foundation products in the global zone. If the non-global zones are not mounted and running at the time of the upgrade, you must upgrade each package in each non-global zone manually.

For Live Upgrade, if the alternative root environment also has a zone, you cannot install `VRTSodm`. You must remove the `VRTSodm` package first then install the Storage Foundation product. After you reboot the alternative root, you can install `VRTSodm`. VCS version must be at least 5.0 MP3.

Symantec requires that both global and non-global zones run the same version of Veritas products.

---

**Note:** If you use Live Upgrade on a system where non-global zones are configured, make sure that all the zones are in the `installed` state before you start Live Upgrade.

---

You can use Live Upgrade in the following virtualized environments:

**Table 24-1** Live Upgrade support in virtualized environments

Environment	Procedure
Solaris native zones	<p>Perform Live Upgrade to upgrade both global and local zones.</p> <p>See <a href="#">“Upgrading VCS and Solaris using Live Upgrade”</a> on page 273.</p>
Solaris branded zones (BrandZ)	<p>Perform Live Upgrade to upgrade the global zone.</p> <p>See <a href="#">“Upgrading VCS and Solaris using Live Upgrade”</a> on page 273.</p> <p>VCS6.0 does not support Branded zones. You must migrate applications running on Solaris 8 or Solaris 9 branded zones to Solaris 10 non-global zones if the applications needed to be managed by VCS.</p>
Oracle VM Server for SPARC	<p>Perform Live Upgrade on the Control domain only.</p> <p>Perform Live Upgrade on the Guest domain only.</p> <p>Use the standard Live Upgrade procedure for both types of logical domains.</p> <p>See <a href="#">“Upgrading VCS and Solaris using Live Upgrade”</a> on page 273.</p>

## Before you upgrade VCS using Solaris Live Upgrade

Before you upgrade, perform the following procedure.

### To prepare for the Live Upgrade

- 1 Make sure that the VCS installation media and the operating system installation images are available and on hand.
- 2 On the nodes to be upgraded, select an alternate boot disk that is at least the same size as the root partition of the primary boot disk.  
  
If the primary boot disk is mirrored, you need to break off the mirror for the alternate boot disk.
- 3 Before you perform the Live Upgrade, take offline any services that involve non-root file systems. This prevents file systems from being copied to the alternate boot environment that could potentially cause a root file system to run out of space.
- 4 On the primary boot disk, patch the operating system for Live Upgrade. Patch 137477-01 is required. Verify that this patch is installed.
- 5 The version of the Live Upgrade packages must match the version of the operating system to which you want to upgrade on the alternate boot disk. If you are upgrading the Solaris operating system, do the following steps:
  - Remove the installed Live Upgrade packages for the current operating system version:  
All Solaris versions: SUNWluu, SUNWlur packages.  
Solaris 10 update 7 or later also requires: SUNWlucfg package.  
Solaris 10 zones or Branded zones also requires: SUNWluzone package.
  - From the new Solaris installation image, install the new versions of the following Live Upgrade packages:  
All Solaris versions: SUNWluu, SUNWlur, and SUNWlucfg packages.  
Solaris 10 zones or Branded zones also requires: SUNWluzone package.

---

**Note:** While you can perform Live Upgrade in the presence of branded zones, they must be halted, and the branded zones themselves are not upgraded.

---

Solaris installation media comes with a script for this purpose named `liveupgrade20`. Find the script at `/cdrom/solaris_release/Tools/Installers/liveupgrade20`. If scripting, you can use:

```
# /cdrom/solaris_release/Tools/Installers/liveupgrade20 \  
-nodisplay -noconsole
```

- 6 Symantec provides the `vxlustart` script that runs a series of commands to create the alternate boot disk for the upgrade.

---

**Note:** The upgrade procedure assumes that the SFHA stack is already installed when the `vxlustart` and `vxlufinish` scripts are run.

---

To preview the commands, specify the `vxlustart` script with the `-V` option.

Symantec recommends that you preview the commands to ensure there are no problems before beginning the Live Upgrade process.

The `vxlustart` script is located on the distribution media, in the `scripts` directory.

```
# cd /cdrom/scripts  
  
# ./vxlustart -V -u targetos_version -s osimage_path -d diskname
```

- `-V` Lists the commands to be executed during the upgrade process.  
The `-V` option is a preview option without execution. The `-v` option displays the commands as the script executes them.
- `-u` Specifies the operating system version for the upgrade on the alternate boot disk. For example, use `5.9` for Solaris 9 and `5.10` for Solaris 10.
- `-s` Indicates the path to the operating system image to be installed on the alternate boot disk. If you are upgrading the operating system, specify the path to the new operating system version.  
  
If you are not upgrading the operating system, and you specify the `-s` option, the `vxlustart -V` command can compare the patches that are installed on the specified image with the patches installed on the primary boot disk.  
  
If you are not upgrading the operating system, you can omit the `-s` option; the operating system is cloned from the primary boot disk.
- `-d` Indicates the name of the alternate boot disk on which you intend to upgrade. If you do not specify this option with the script, you are prompted for the disk information.
- `-v` Indicates verbose, the executing commands display before they run.
- `-Y` Indicates a default yes with no questions asked.
- `-D` Prints with debug option on, and is for debugging.
- `-F` Specifies the rootdisk's file system, where the default is `ufs`.
- `-t` Specifies the number of CDs involved in upgrade.

-r Specifies that if the machine crashes or reboots before remounting the alternate disk using this option.

For example, to preview the commands to upgrade the Veritas products only:

```
# ./vxlustart -v -u 5.10 -d disk_name
```

For example, to upgrade to Solaris 10 update 6:

```
# ./vxlustart -v -u 5.10 -s /mnt/Solaris_10u6
```

For example, to preview the commands for an upgrade to Solaris 10 update 6:

```
# ./vxlustart -v -u 5.10 -s /mnt/Solaris_10u6
```

- 7 If the specified image is missing patches that are installed on the primary boot disk, note the patch numbers. To ensure that the alternate boot disk is the same as the primary boot disk, you need to install any missing patches on the alternate boot disk.

In the procedure examples, the primary or current boot environment resides on Disk0 (c0t0d0) and the alternate or inactive boot environment resides on Disk1 (c0t1d0).

## Upgrading VCS and Solaris using Live Upgrade

Upgrading VCS using Live Upgrade involves the following steps:

- Prepare to upgrade using Solaris Live Upgrade.  
See [“Before you upgrade VCS using Solaris Live Upgrade”](#) on page 270.
- Create a new boot environment on the alternate boot disk.  
See [“Creating a new boot environment on the alternate boot disk”](#) on page 274.
- Upgrade to VCS 6.0 on the alternate boot environment manually or using the installer.

To upgrade VCS manually, refer to the following procedure:

- See [“Upgrading VCS manually”](#) on page 276.

To upgrade VCS using the installer, refer to the following procedure:

- See [“Upgrading VCS using the installer for a Live Upgrade”](#) on page 275.
- Switch the alternate boot environment to be the new primary.  
See [“Completing the Live Upgrade ”](#) on page 278.

- Verify Live Upgrade of VCS.  
See “[Verifying Live Upgrade of VCS](#)” on page 279.

## Creating a new boot environment on the alternate boot disk

Run the `vxlustart` command on each node in the cluster to create a new boot environment on the alternate boot disk.

---

**Note:** This step can take several hours to complete. Do not interrupt the session as it may leave the boot environment unstable.

---

At the end of the process:

- The Solaris operating system on the alternate boot disk is upgraded, if you have chosen to upgrade the operating system.
- A new boot environment is created on the alternate boot disk by cloning the primary boot environment.

### To create a new boot environment on the alternate boot disk

Perform the steps in this procedure on each node in the cluster.

- 1 Navigate to the install media for the Symantec products:

```
# cd /cdrom/scripts
```

- 2 View the list of VxVM disks on which you want to create the new boot environment.

```
# vxdisk list
```

- 3 On each node, run one of the following commands:

To upgrade the operating system, by itself or together with upgrading the Veritas products:

```
# ./vxlustart -v -u targetos_version \  
-s osimage_path -d disk_name
```

To upgrade the Veritas products only:

```
# ./vxlustart -v -u 5.10 -d disk_name
```

See See [“Before you upgrade VCS using Solaris Live Upgrade”](#) on page 270.

Refer to the step on command options.

For example, to upgrade to Solaris 10 update 6:

```
# ./vxlustart -v -u 5.10 -s /mnt/Solaris_10u6
```

For example, to upgrade the Veritas products only:

```
# ./vxlustart -v -u 5.10
```

- 4 Review the output and note the new mount points. If the system is rebooted before completion of the upgrade or if the mounts become unmounted, you may need to remount the disks.

If you need to remount, run the command:

```
# vxlustart -r -u targetos_version -d disk_name
```

- 5 After the alternate boot disk is created and mounted on `/altroot.5.10`, install any operating system patches or packages on the alternate boot disk that are required for the Veritas product installation:

```
# pkgadd -R /altroot.5.10 -d pkg_dir
```

## Upgrading VCS using the installer for a Live Upgrade

You can use the Veritas product installer to upgrade VCS as part of the Live Upgrade.

On a node in the cluster, run the installer on the alternate boot disk to upgrade VCS on all the nodes in the cluster. The program uninstalls the existing version of VCS on the alternate boot disk during the process.

At the end of the process the following occurs:

- VCS 6.0 is installed on the alternate boot disk.

#### To perform Live Upgrade of VCS using the installer

- 1 Insert the product disc with VCS 6.0 or access your copy of the software on the network.
- 2 Run the installer script specifying the root path as the alternate boot disk:

```
# ./installer -upgrade -rootpath /altroot.5.10
```

See [“Removing and reinstalling VCS using the installer”](#) on page 281.

- 3 Enter the names of the nodes that you want to upgrade to VCS 6.0.  
The installer displays the list of packages to be installed or upgraded on the nodes.
- 4 Press **Return** to continue with the installation.  
During Live Upgrade, if the OS of the alternate boot disk is upgraded, the installer will not update the VCS configurations for Oracle, Netlsnr, and Sybase resources. If cluster configurations include these resources, you will be prompted to run a list of commands to manually update the configurations after the cluster restarts from the alternate boot disks.
- 5 Verify that the version of the Veritas packages on the alternate boot disk is 6.0.

```
# pkginfo -R /altroot.5.10 -l VRTSpkgname
```

For example:

```
# pkginfo -R /altroot.5.10 -l VRTSvcs
```

Review the installation logs at `/altroot.5.10/opt/VRTS/install/logs`.

## Upgrading VCS manually

You can perform a manual upgrade of VCS using Live Upgrade. On each node, remove and install the appropriate VCS packages.

At the end of the process the following occurs:

- VCS 6.0 is installed on the alternate boot disk.

#### To perform Live Upgrade of VCS manually

- 1 Confirm that the `vxlustart` script has mounted the secondary (alternate) disk to `/altroot.5.10`.

```
# mount
```

Or

```
# df -k
```

- 2 Remove VCS packages on the alternate boot disk in the following order:

```
# pkgrm -R /altroot.5.10 \  
VRTScmcc VRTScmcs VRTScssim VRTScscm \  
VRTSvcsmn VRTSacclib VRTSweb VRTScscw \  
VRTSjre15 VRTSvcsag VRTSvcsmg VRTSvcs \  
VRTSvxfen VRTSgab VRTSllt VRTSspt VRTSat \  
VRTSvlic VRTSperl
```

The `-R` option removes the packages from the root path `/altroot.5.10`.

Package lists vary from release to release.

- 3 Install the VCS packages in the following order one at a time to the alternate boot disk using the `pkgadd` command. Note that this package list is an example. Full package lists vary from release to release and by product option.

```
VRTSvlic.pkg VRTSperl.pkg VRTSspt.pkg VRTSat.pkg  
VRTSllt.pkg VRTSgab.pkg VRTSvxfen.pkg VRTSamf.pkg  
VRTSvcs.pkg VRTScps.pkg VRTSvcsag.pkg VRTSvcsea.pkg
```

For example:

```
# pkgadd -R /altroot.5.10 -d package_name.pkg
```

where you replace `package_name.pkg` with a package's name, for example `VRTSvcs.pkg`.

```
# pkgadd -R /altroot.5.10 -d VRTSvcs.pkg
```

- 4 In the `/media` directory, list the patches for each platform. Enter the following:

```
# ./installer -listpatches
```

- 5 Unzip and extract the tar file for each patch.

```
# gunzip patch_name.tar.gz  
# tar vxf patch_name.tar
```

where `patch_name` is the name of a patch listed in step 4.

For example:

```
# gunzip 143282-01.tar.gz  
# tar vxf 143282-01.tar
```

Repeat this step for each patch.

- 6 Install the patches on the alternative boot disk using the `patchadd` command.

```
# patchadd -R /altroot.5.10 patch_name
```

For example:

```
# patchadd -R /altroot.5.10 143282-01
```

- 7 Verify that the version of the packages on the alternate boot disk is 6.0.

```
# pkginfo -R /altroot.5.10 -l VRTSvcs
```

- 8 Run the following command to export the root path installation environment variable.

```
# export INSTALL_ROOT_PATH=/altroot.5.10
```

- 9 Run the following command on the alternate root path of any one node in the cluster to configure a VCS cluster UUID:

```
# /altroot.5.10/opt/VRTSvcs/bin/uuidconfig.pl -clus -configure \  
-use_llthost
```

The `-use_llthost` option indicates that the `/etc/llthost` file is used to determine the names of the nodes in the cluster. Alternatively, you can specify the node names instead of the file name.

- 10 Confirm that you have created the Universal Unique Identifier:

```
# /altroot.5.10/opt/VRTSvcs/bin/uuidconfig.pl -clus -display \  
-use_llthost
```

## Completing the Live Upgrade

At the end of the process:

- The alternate boot environment is activated.
- The system is booted from the alternate boot disk.

### To complete the Live Upgrade

- 1 Complete the Live upgrade process. Enter the following command on all nodes in the cluster.

```
# ./vcslufinish -u target_os_version  
Live Upgrade finish on the Solaris release <5.10>
```

- 2 If the system crashes or reboots before Live Upgrade completes successfully, you can remount the alternate disk using the following command:

```
# ./vxlustart -r -u target_os_version
```

Then, rerun the `vcslufinish` command from step 1

```
# ./vcslufinish -u target_os_version
```

- 3 **Note:** Do not use the `reboot`, `halt`, or `uadmin` commands to reboot the system. Use either the `init` or the `shutdown` commands to enable the system to boot using the alternate boot environment.

---

You can ignore the following error if it appears: ERROR: boot environment <dest.13445> already mounted on </altroot.5.10>.

```
# shutdown -g0 -y -i6
```

- 4 If you want to upgrade CP server systems that use VCS or SFHA to this version, make sure that you upgraded all application clusters to this version. Then, upgrade VCS or SFHA on the CP server systems.

For instructions to upgrade VCS or SFHA on the CP server systems, see the VCS or SFHA Installation Guide.

## Verifying Live Upgrade of VCS

To ensure that Live Upgrade has completed successfully, verify that all the nodes have booted from the alternate boot environment and joined the cluster.

### To verify that Live Upgrade completed successfully

- 1 Verify that the alternate boot environment is active.

```
# lustatus
```

If the alternate boot environment is not active, you can revert to the primary boot environment.

See [“Reverting to the primary boot environment”](#) on page 283.

- 2 Make sure that GAB ports a and h are up.

```
# gabconfig -a
Port a gen 39d901 membership 01
Port h gen 39d909 membership 01
```

- 3 Perform other verification as required to ensure that the new boot environment is configured correctly.
- 4 In a zone environment, verify the zone configuration.

## Upgrading Solaris using Live Upgrade

If you are upgrading Solaris only, you must remove and reinstall VCS from the alternate boot environment prior to completing the Live Upgrade even if VCS has version 6.0 on the primary. You must remove and reinstall because VCS has kernel components that are specific to Solaris operating system versions. The correct version of the VCS packages must be installed.

Upgrading Solaris using Live Upgrade involves the following steps:

- Preparing to upgrade using Solaris Live Upgrade.  
See [“Before you upgrade VCS using Solaris Live Upgrade”](#) on page 270.
- Creating a new boot environment on the alternate boot disk  
See [“Creating a new boot environment on the alternate boot disk”](#) on page 274.
- Removing and reinstalling VCS 6.0 on the alternate boot environment:  
Using manual steps:  
See [“Upgrading VCS manually”](#) on page 276.  
Using the installer:  
See [“Removing and reinstalling VCS using the installer”](#) on page 281.

---

**Note:** Do NOT configure the VCS 6.0

---

- Switching the alternate boot environment to be the new primary  
See “[Completing the Live Upgrade](#)” on page 278.
- Verifying Live Upgrade of VCS.  
See “[Verifying Live Upgrade of VCS](#)” on page 279.

## Removing and reinstalling VCS using the installer

VCS has kernel components that are specific for Solaris operating system versions. When you use Solaris Live Upgrade to upgrade the Solaris operating system, you must complete these steps to ensure the correct version of VCS components are installed.

On a node in the cluster, run the installer on the alternate boot disk to remove and reinstall VCS 6.0 on all the nodes in the cluster.

At the end of the process the following occurs:

- VCS 6.0 is installed on the alternate boot disk, with the correct binaries for the new operating system version

### To remove and reinstall VCS using the installer

- 1 Uninstall using the installer script, specifying the alternate boot disk as the root path:

```
# /opt/VRTS/install/uninstallvcs -rootpath altrootpath
```

For example:

```
# /opt/VRTS/install/uninstallvcs -rootpath /altroot.5.10
```

- 2 Enter the names of the nodes that you want to uninstall.  
The installer displays the list of packages that will be uninstalled.
- 3 Press **Return** to continue.
- 4 Insert the product disc and run the following commands:

```
# ./installvcs -install -rootpath altrootpath
```

For example:

```
# cd /cdrom/cluster_server  
# ./installvcs -install -rootpath /altroot.5.10
```

The installer displays the list of packages that will be installed.

- 5 Press **Return** to continue.
- 6 Verify that the version of the Veritas packages on the alternate boot disk is 6.0.

```
# pkginfo -R /altroot.5.10 -l VRTSpkgname
```

For example:

```
# pkginfo -R /altroot.5.10 -l VRTSvcs
```

Review the installation logs at `/altroot.5.10/opt/VRTS/install/log`.

## Upgrading VCS using Live Upgrade

Perform the Live Upgrade manually or use the installer. The nodes will not form a cluster until all of the nodes are upgraded to VCS 6.0. At the end of the Live Upgrade of the last node, all the nodes must boot from the alternate boot environment and join the cluster.

Upgrading VCS using Live Upgrade involves the following steps:

- Prepare to upgrade using Solaris Live Upgrade.  
See [“Before you upgrade VCS using Solaris Live Upgrade”](#) on page 270.
- Create a new boot environment on the alternate boot disk.  
See [“Creating a new boot environment on the alternate boot disk”](#) on page 274.
- Upgrade to VCS 6.0 on the alternate boot environment manually or using the installer. Refer to one of the following:  
To upgrade VCS manually:
  - See [“Upgrading VCS manually”](#) on page 276.To upgrade VCS using the installer:
  - See [“Upgrading VCS using the installer for a Live Upgrade”](#) on page 275.
- Switch the alternate boot environment to be the new primary.  
See [“Completing the Live Upgrade ”](#) on page 278.
- Verify Live Upgrade of VCS.  
See [“Verifying Live Upgrade of VCS”](#) on page 279.

## Administering boot environments

Use the following procedures to perform relevant administrative tasks for boot environments.

## Reverting to the primary boot environment

If the alternate boot environment fails to start, you can revert to the primary boot environment.

On each node, start the system from the primary boot environment in the PROM monitor mode.

```
ok> setenv boot-device disk_0
ok> boot
```

Failure to perform this step can result in the operating system booting from the alternate boot environment after the reboot.

The `vcslufinish` script displays the way to revert to primary boot environment. Here is a sample output.

Notes:

```
*****
In case of a failure while booting to the target BE, the following
process needs to be followed to fallback to the currently working
boot environment:
1. Enter the PROM monitor (ok prompt).
2. Change the boot device back to the original boot environment
by typing:
setenv boot-device /pci@1c,600000/scsi@2/disk@0,0:a
3. Boot to the original boot environment by typing:
boot
*****
```

## Switching the boot environment for Solaris SPARC

You do not have to perform the following procedures to switch the boot environment when you use the `vxlustart` and `vcslufinish` scripts to process Live Upgrade. You must perform the following procedures when you perform a manual Live Upgrade.

### To switch the boot environment

- 1 Display the status of Live Upgrade boot environments.

```
# lustatus
```

Boot Environment Name	Is Complete	Active Now	Active On Reboot	Can Delete	Copy Status
source.2657	yes	yes	yes	no	-
dest.2657	yes	no	no	yes	-

In this example, the primary boot disk is currently (source.2657). You want to activate the alternate boot disk (dest.2657)

- 2 Unmount any file systems that are mounted on the alternate root disk (dest.2657).

```
# lufslist dest.2657
```

```
boot environment name: dest.2657
```

Filesystem	fstype	device	size	Mounted on	Mount Options
/dev/dsk/c0t0d0s1	swap	4298342400	-	-	-
/dev/dsk/c0t0d0s0	ufs	15729328128	/	-	-
/dev/dsk/c0t0d0s5	ufs	8591474688	/var	-	-
/dev/dsk/c0t0d0s3	ufs	5371625472	/vxf	-	-

```
# luumount dest.2657
```

- 3 Activate the Live Upgrade boot environment.

```
# luactivate dest.2657
```

- 4 Reboot the system.

```
# shutdown -g0 -i6 -y
```

The system automatically selects the boot environment entry that was activated.

## Switching the boot environment for Solaris x86-64

You do not have to perform the following procedures to switch the boot environment when you use the `vxlustart` and `vcslufinish` scripts to process Live Upgrade.

You must perform the following procedures when you perform a manual Live Upgrade.

### To switch the boot environment

- 1 Display the status of Live Upgrade boot environments.

```
# lustatus
```

Boot Environment Name	Is Complete	Active Now	Active On Reboot	Can Delete	Copy Status
source.2657	yes	yes	yes	no	-
dest.2657	yes	no	no	yes	-

In this example, the primary boot disk is currently (source.2657). You want to activate the alternate boot disk (dest.2657)

- 2 Unmount any file systems that are mounted on the alternate root disk (dest.2657).

```
# lufslist dest.2657
```

```
boot environment name: dest.2657
```

Filesystem	fstype	device	size	Mounted on	Mount Options
/dev/dsk/c0t0d0s1	swap	4298342400	-	-	-
/dev/dsk/c0t0d0s0	ufs	15729328128	/	-	-
/dev/dsk/c0t0d0s5	ufs	8591474688	/var	-	-
/dev/dsk/c0t0d0s3	ufs	5371625472	/vxfs	-	-

```
# luumount dest.2657
```

### 3 Activate the Live Upgrade boot environment.

```
# luactivate dest.2657
```

### 4 Reboot the system.

```
# shutdown -g0 -i6 -y
```

When the system boots up, the GRUB menu displays the following entries for the Live Upgrade boot environments:

```
source.2657  
dest.2657
```

The system automatically selects the boot environment entry that was activated.

# Upgrading the Solaris operating system

This chapter includes the following topics:

- [Upgrading Solaris versions](#)
- [Upgrading Solaris on a node](#)

## Upgrading Solaris versions

An operating system upgrade can take hours to finish. When you upgrade, you typically upgrade one node at a time. Coordinate with your system administrator to plan for the down time of each system. Plan ahead to move service groups to running nodes, while the nodes that you upgrade are down. Planning ahead reduces downtime and ensures availability of services for your customers.

When you upgrade the operating system, you must remove the GAB, LLT, and fencing packages and patches before you upgrade the operating system. Reinstall fencing, GAB, and LLT after upgrading the operating system.

---

**Note:** Be sure that you have the Symantec software disc with the VCS software on hand before you begin.

---

You must upgrade the operating system on each node in the cluster to completely upgrade the Solaris versions in the cluster.

## Upgrading Solaris on a node

The tasks that you need to perform when upgrading the Solaris operating system include the following:

- Stopping VCS
- Stopping fencing, GAB, LLT, and unloading the kernel modules
- Removing packages and patches
- Upgrading Solaris operating system
- Reinstalling fencing, GAB, and LLT from the software disc
- Restarting VCS

### To stop VCS

- 1 Make the VCS configuration writable. On the first system, type:

```
# haconf -makerw
```

- 2 Move all service groups from the node you are plan to upgrade to another system. Keep services from failing over to this server. On the system where you plan to upgrade, type:

```
# hasys -freeze -persistent -evacuate upgrade_server
```

- 3 Check if all service groups and resources are offline on the system and online on the other system. Type:

```
# hastatus -summary
```

- 4 Close the configuration and unload the VCS services on the system that you plan to upgrade. On the system that you plan to upgrade, type:

```
# haconf -dump -makero  
# hastop -local
```

- 5 Confirm that VCS has stopped. On the upgrading system, type:

```
# gabconfig -a
```

Output resembles:

```
GAB Port Memberships  
=====  
Port a gen 23dc0001 membership 01
```

Note that the output shows no membership for port h.

**To stop fencing, GAB, LLT, and unload the kernel modules****1** Unconfigure fencing.

```
# vxfenconfig -U
```

**2** Unload the FENCING module from the kernel. Perform the following:

- Determine the kernel module ID.

```
# modinfo | grep vxfen
```

- Unload the module from the kernel.

```
# modunload -i vxfen_id
```

**3** Unconfigure GAB.

```
# gabconfig -U
```

**4** Unload the GAB module from the kernel:

- Determine the kernel module ID:

```
# modinfo | grep gab
```

- Unload the module from the kernel:

```
# modunload -i gab_id
```

**5** Unconfigure LLT. On each system, type:

```
# lltconfig -U
```

The following message is displayed on the console:

```
lltconfig: this will attempt to stop and reset LLT.  
Confirm (y/n)?
```

**6** Type **Y** on each system in response to the message.**7** Unload the LLT module from the kernel:

- Determine the kernel module ID:

```
# modinfo | grep llt
```

The module IDs are in the left-hand column of the output.

- Unload the module from the kernel:

```
# modunload -i ll_t_id
```

#### To remove the fencing, GAB, and LLT packages and patches

- ◆ On each node, use the `pkgrm` command to remove the fencing, GAB, and LLT packages.

```
# pkgrm VRTSvxfen VRTSgab VRTSllt
```

#### To upgrade the operating system

- 1 Follow the Oracle installation guide to upgrade the operating system kernel to the new version of Solaris.
- 2 As the system comes up, enter single-user mode.

#### To reinstall fencing, GAB, and LLT from the software disc and restart

- 1 In single-user mode, log on as superuser on the system that you have upgraded.
- 2 Check whether the `/tmp` directory is mounted.

```
# mount
```

- 3 If the `/tmp` directory is not mounted, then enter:

```
# mount /tmp
```

- 4 Create a directory for installation:

```
# mkdir /tmp/install
```

- 5 Insert the software disc with the VCS software into a system drive where you have upgraded. The Solaris volume-management software automatically mounts the disc as `/cdrom/cdrom0`. Type the command:

```
# cd /cdrom/cdrom0
```

- 6 Copy the package files from the software disc to the temporary directory:

```
# cp -r pkgs/VRTSllt.pkg /tmp/install  
# cp -r pkgs/VRTSgab.pkg /tmp/install  
# cp -r pkgs/VRTSvxfen.pkg /tmp/install
```

- 7 Install the LLT, GAB, and fencing packages and patches. As you enter the command, be sure to install the packages and patches in the order shown:

- Install the packages.

```
# cd /tmp/install
# pkgadd -d VRTSllt.pkg
# pkgadd -d VRTSgab.pkg
# pkgadd -d VRTSvxfen.pkg
```

- 8 Bring up the system in multi-user mode:

```
# cd /
# init 3
```

#### To restart VCS

- 1 Verify that VCS services are running on the upgraded server. On the upgraded server, type:

```
# ps -ef | grep ha
root  576  1  0 16:54:12 ?    0:02 /opt/VRTSvcs/bin/had
root  578  1  0 16:54:13 ?    0:00 /opt/VRTSvcs/bin/hashadow
```

- 2 If the VCS services are not running, reload the VCS services. Type:

```
# hastart
```

- 3 Make the configuration writable.

```
# haconf -makerw
```

- 4 Unfreeze the upgraded server and save the configuration. On the upgraded server, type:

```
# hasys -unfreeze -persistent upgraded_server
# haconf -dump -makero
```

# Post-installation tasks

- [Chapter 26. Performing post-installation tasks](#)
- [Chapter 27. Installing or upgrading VCS components](#)
- [Chapter 28. Verifying the VCS installation](#)

# Performing post-installation tasks

This chapter includes the following topics:

- [About enabling LDAP authentication for clusters that run in secure mode](#)
- [Accessing the VCS documentation](#)
- [Removing permissions for communication](#)

## About enabling LDAP authentication for clusters that run in secure mode

Symantec Product Authentication Service (AT) supports LDAP (Lightweight Directory Access Protocol) user authentication through a plug-in for the authentication broker. AT supports all common LDAP distributions such as Oracle Directory Server, Netscape, OpenLDAP, and Windows Active Directory.

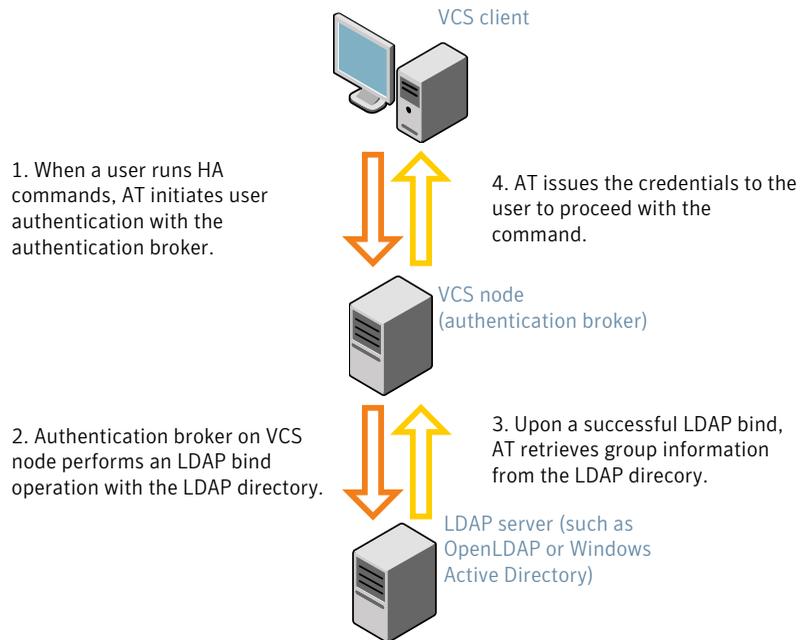
For a cluster that runs in secure mode, you must enable the LDAP authentication plug-in if the VCS users belong to an LDAP domain.

If you have not already added VCS users during installation, you can add the users later.

See the *Veritas Cluster Server Administrator's Guide* for instructions to add VCS users.

[Figure 26-1](#) depicts the VCS cluster communication with the LDAP servers when clusters run in secure mode.

**Figure 26-1** Client communication with LDAP servers



The LDAP schema and syntax for LDAP commands (such as `ldapadd`, `ldapmodify`, and `ldapsearch`) vary based on your LDAP implementation.

Before adding the LDAP domain in Symantec Product Authentication Service, note the following information about your LDAP environment:

- The type of LDAP schema used (the default is RFC 2307)
  - UserObjectClass (the default is `posixAccount`)
  - UserObject Attribute (the default is `uid`)
  - User Group Attribute (the default is `gidNumber`)
  - Group Object Class (the default is `posixGroup`)
  - GroupObject Attribute (the default is `cn`)
  - Group GID Attribute (the default is `gidNumber`)
  - Group Membership Attribute (the default is `memberUid`)
- URL to the LDAP Directory
- Distinguished name for the user container (for example, `UserBaseDN=ou=people,dc=comp,dc=com`)

- Distinguished name for the group container (for example, GroupBaseDN=ou=group,dc=comp,dc=com)

## Enabling LDAP authentication for clusters that run in secure mode

### To enable OpenLDAP authentication for clusters that run in secure mode

- 1 Run the LDAP configuration tool `atldapconf` using the `-d` option. The `-d` option discovers and retrieves an LDAP properties file which is a prioritized attribute list.

```
# /opt/VRTSvcs/bin/vcsauth/vcsauthserver/bin/atldapconf \  
-d -s domain_controller_name_or_ipaddress -u domain_user
```

Attribute list file name not provided, using AttributeList.txt

Attribute file created.

You can use the `cat` command to view the entries in the attributes file.

- 2 Run the LDAP configuration tool `atldapconf` using the `-c` option. The `-c` option creates a CLI file to add the LDAP domain.

```
# /opt/VRTSvcs/bin/vcsauth/vcsauthserver/bin/atldapconf \  
-c -d windows_domain_name
```

Attribute list file not provided, using default AttributeList.txt

CLI file name not provided, using default CLI.txt

CLI for addldapdomain generated.

- 3 Run the LDAP configuration tool `atldapconf` using the `-x` option. The `-x` option reads the CLI file and executes the commands to add a domain to the AT.

```
# /opt/VRTSvcs/bin/vcsauth/vcsauthserver/bin/atldapconf -x
```

Using default broker port 2821

CLI file not provided, using default CLI.txt

Looking for AT installation...

AT found installed at ./vssat

Successfully added LDAP domain.

- 4 Check the AT version and list the LDAP domains to verify that the Windows Active Directory server integration is complete.

```
# /opt/VRTSvcs/bin/vcsauth/vcsauthserver/bin/vssat showversion
vssat version: 6.1.12.0

# /opt/VRTSvcs/bin/vcsauth/vcsauthserver/bin/vssat listldapdomains
Domain Name : mydomain.com
Server URL : ldap://192.168.20.32:389
SSL Enabled : No
User Base DN : CN=people,DC=mydomain,DC=com
User Object Class : account
User Attribute : cn
User GID Attribute : gidNumber
Group Base DN : CN=group,DC=symantecdomain,DC=com
Group Object Class : group
Group Attribute : cn
Group GID Attribute : cn
Auth Type : FLAT
Admin User :
Admin User Password :
Search Scope : SUB
```

- 5 Check the other domains in the cluster.

```
# /opt/VRTSvcs/bin/vcsauth/vcsauthserver/bin/vssat showdomains -p vx
```

The command output lists the number of domains that are found, with the domain names and domain types.

## 6 Generate credentials for the user.

```
# unset EAT_LOG

# /opt/VRTSvcs/bin/vcsauth/vcsauthserver/bin/vssat authenticate \
-d ldap:windows_domain_name -p user_name -s user_password -b \
localhost:14149
```

**7** Add non-root users as applicable.

```
# useradd user1

# passwd pw1

Changing password for "user1"

user1's New password:

Re-enter user1's new password:

# su user1

# bash

# id

uid=204(user1) gid=1(staff)

# pwd

# mkdir /home/user1

# chown user1 /home/ user1
```

8 Log in as non-root user and run `ha` commands as LDAP user.

```
# cd /home/user1

# ls

# cat .vcspwd

101 localhost mpise LDAP_SERVER ldap

# unset VCS_DOMAINTYPE

# unset VCS_DOMAIN

# /opt/VRTSvcs/bin/hasys -state

#System      Attribute      Value

cluster1:sysA  SysState      FAULTED

cluster1:sysB  SysState      FAULTED

cluster2:sysC  SysState      RUNNING

cluster2:sysD  SysState      RUNNING
```

## Accessing the VCS documentation

The software disc contains the documentation for VCS in Portable Document Format (PDF) in the `cluster_server/docs` directory. After you install VCS, Symantec recommends that you copy the PDF version of the documents to the `/opt/VRTS/docs` directory on each node to make it available for reference.

### To access the VCS documentation

- ◆ Copy the PDF from the software disc (`cluster_server/docs/`) to the directory `/opt/VRTS/docs`.

## Removing permissions for communication

Make sure you completed the installation of VCS and the verification of disk support for I/O fencing. If you used `rsh`, remove the temporary `rsh` access permissions that you set for the nodes and restore the connections to the public network.

If the nodes use `ssh` for secure communications, and you temporarily removed the connections to the public network, restore the connections.

# Installing or upgrading VCS components

This chapter includes the following topics:

- [Installing the Java Console](#)
- [Upgrading the Java Console](#)
- [Installing VCS Simulator](#)
- [Upgrading VCS Simulator](#)

## Installing the Java Console

You can administer VCS using the VCS Java-based graphical user interface, Java Console. After VCS has been installed, install the Java Console on a Windows system or Solaris system with X-Windows. Review the software requirements for Java Console.

The system from which you run the Java Console can be a system in the cluster or a remote workstation. A remote workstation enables each system in the cluster to be administered remotely.

When you install the Java Console on the Solaris system, make sure a printer is configured to that system. If you print the online JavaHelp on a system that does not have a printer that is configured, the Java Console might hang.

Review the information about using the Java Console. For more information, refer to the *Veritas Cluster Server Administrator's Guide*.

## Software requirements for the Java Console

Cluster Manager (Java Console) is supported on:

- Solaris SPARC 2.10
- Windows XP and Windows 2003

---

**Note:** Make sure that you are using an operating system version that supports JRE 1.6.

---

## Hardware requirements for the Java Console

The minimum hardware requirements for the Java Console follow:

- Pentium II 300 megahertz
- 256 megabytes of RAM
- 800x600 display resolution
- 8-bit color depth of the monitor
- A graphics card that is capable of 2D images

---

**Note:** Symantec recommends using Pentium III 400MHz or higher, 256MB RAM or higher, and 800x600 display resolution or higher.

---

The version of the Java™ 2 Runtime Environment (JRE) requires 32 megabytes of RAM.

Symantec recommends using the following hardware:

- 48 megabytes of RAM
- 16-bit color mode
- The KDE and the KWM window managers that are used with displays set to local hosts

## Installing the Java Console on Solaris

Review the procedure to install the Java console. Before you begin with the procedure, ensure that you have the `gunzip` utility installed on your system.

### To install Java console on Solaris

- 1 Create a directory for installation of the Java Console:

```
# mkdir /tmp/install
```

- 2 Download the Java GUI utility from [http://go.symantec.com/vcsm\\_download](http://go.symantec.com/vcsm_download) to a temporary directory.
- 3 Go to the temporary directory and unzip the compressed package file using the gunzip utility:

```
# cd /tmp/install  
# gunzip VRTScscm.tar.gz
```

The file VRTScscm.tar is now present in the temporary directory.

- 4 Extract the compressed file from the tar file:

```
# tar -xvf VRTScscm.tar
```

- 5 Install the software:

```
# pkgadd -d . VRTScscm
```

- 6 Answer `Yes` if prompted.

## Installing the Java Console on a Windows system

Review the procedure to install the Java console on a Windows system.

### To install the Java Console on a Windows system

- 1 Download the Java GUI utility from [http://go.symantec.com/vcsm\\_download](http://go.symantec.com/vcsm_download) to a temporary directory.
- 2 Extract the zipped file to a temporary folder.
- 3 From this extracted folder, double-click `setup.exe`.
- 4 The Veritas Cluster Manager Install Wizard guides you through the installation process.

## Upgrading the Java Console

Use one of the following applicable procedures to upgrade Java Console.

### To upgrade Java console on Solaris

- 1 Log in as superuser on the node where you intend to install the package.
- 2 Remove the GUI from the previous installation.

```
# pkgrm VRTScsm
```

- 3 Install the VCS Java console.

See [“Installing the Java Console on Solaris”](#) on page 301.

### To upgrade the Java Console on a Windows client

- 1 Stop Cluster Manager (Java Console) if it is running.
- 2 Remove Cluster Manager from the system.
  - From the Control Panel, double-click **Add/Remove Programs**
  - Select **Veritas Cluster Manager**.
  - Click **Add/Remove**.
  - Follow the uninstall wizard instructions.
- 3 Install the new Cluster Manager.

See [“Installing the Java Console on a Windows system”](#) on page 302.

## Installing VCS Simulator

You can administer VCS Simulator from the Java Console or from the command line. For more information, see the *Veritas Cluster Server Administrator's Guide*.

Review the software requirements for VCS Simulator.

### Software requirements for VCS Simulator

VCS Simulator is supported on:

- Windows XP SP3, Windows 2008, Windows Vista, and Windows 7

---

**Note:** Make sure that you are using an operating system version that supports JRE 1.6 or later.

---

### Installing VCS Simulator on Windows systems

This section describes the procedure to install VCS Simulator on Windows systems.

### To install VCS Simulator on Windows systems

- 1 Download VCS Simulator from the following location to a temporary directory. <http://www.symantec.com/business/cluster-server> and click **Utilities**.
- 2 Extract the compressed files to another directory.
- 3 Navigate to the path of the Simulator installer file:  
`\cluster_server\windows\VCSWindowsInstallers\Simulator`
- 4 Double-click the installer file.
- 5 Read the information in the Welcome screen and click **Next**.
- 6 In the Destination Folders dialog box, click **Next** to accepted the suggested installation path or click **Change** to choose a different location.
- 7 In the Ready to Install the Program dialog box, click **Back** to make changes to your selections or click **Install** to proceed with the installation.
- 8 In the Installshield Wizard Completed dialog box, click **Finish**.

## Reviewing the installation

VCS Simulator installs Cluster Manager (Java Console) and Simulator binaries on the system. The Simulator installation creates the following directories:

Directory	Content
attrpool	Information about attributes associated with VCS objects
bin	VCS Simulator binaries
default_clus	Files for the default cluster configuration
sample_clus	A sample cluster configuration, which serves as a template for each new cluster configuration
templates	Various templates that are used by the Java Console
types	The types.cf files for all supported platforms
conf	Contains another directory called types. This directory contains assorted resource type definitions that are useful for the Simulator. The type definition files are present in platform-specific sub directories.

Additionally, VCS Simulator installs directories for various cluster configurations.

VCS Simulator creates a directory for every new simulated cluster and copies the contents of the `sample_clus` directory. Simulator also creates a log directory within each cluster directory for logs that are associated with the cluster.

## Upgrading VCS Simulator

Use the following procedure to upgrade VCS Simulator.

### To upgrade VCS Simulator on a Windows client

- 1 Stop all instances of VCS Simulator.
- 2 Stop VCS Simulator, if it is running.
- 3 Remove VCS Simulator from the system.
  - From the Control Panel, double-click **Add/Remove Programs**
  - Select **VCS Simulator**.
  - Click **Add/Remove**.
  - Follow the uninstall wizard instructions.
- 4 Install the new Simulator.

See [“Installing VCS Simulator on Windows systems”](#) on page 303.

# Verifying the VCS installation

This chapter includes the following topics:

- [About verifying the VCS installation](#)
- [About the cluster UUID](#)
- [Verifying the LLT, GAB, and VCS configuration files](#)
- [Verifying LLT, GAB, and cluster operation](#)
- [Performing a postcheck on a node](#)

## About verifying the VCS installation

After you install and configure VCS, you can inspect the contents of the key VCS configuration files that you have installed and modified during the process. These files reflect the configuration that is based on the information you supplied. You can also run VCS commands to verify the status of LLT, GAB, and the cluster.

## About the cluster UUID

You can verify the existence of the cluster UUID.

**To verify the cluster UUID exists**

- ◆ From the prompt, run a cat command.

```
cat /etc/vx/.uuids/clusuuid
```

## Verifying the LLT, GAB, and VCS configuration files

Make sure that the LLT, GAB, and VCS configuration files contain the information you provided during VCS installation and configuration.

### To verify the LLT, GAB, and VCS configuration files

- 1 Navigate to the location of the configuration files:
  - LLT  
/etc/llthosts  
/etc/llttab
  - GAB  
/etc/gabtab
  - VCS  
/etc/VRTSvcs/conf/config/main.cf
- 2 Verify the content of the configuration files.  
See [“About the LLT and GAB configuration files”](#) on page 409.  
See [“About the VCS configuration files”](#) on page 413.

## Verifying LLT, GAB, and cluster operation

Verify the operation of LLT, GAB, and the cluster using the VCS commands.

### To verify LLT, GAB, and cluster operation

- 1 Log in to any node in the cluster as superuser.
- 2 Make sure that the PATH environment variable is set to run the VCS commands.  
See [“Setting the PATH variable”](#) on page 63.
- 3 Verify LLT operation.  
See [“Verifying LLT”](#) on page 308.
- 4 Verify GAB operation.  
See [“Verifying GAB”](#) on page 310.
- 5 Verify the cluster operation.  
See [“Verifying the cluster”](#) on page 312.

## Verifying LLT

Use the `lltstat` command to verify that links are active for LLT. If LLT is configured correctly, this command shows all the nodes in the cluster. The command also returns information about the links for LLT for the node on which you typed the command.

Refer to the `lltstat(1M)` manual page for more information.

### To verify LLT

- 1 Log in as superuser on the node galaxy.
- 2 Run the `lltstat` command on the node galaxy to view the status of LLT.

```
lltstat -n
```

The output on galaxy resembles:

```
LLT node information:
Node           State      Links
*0 galaxy      OPEN      2
 1 nebula      OPEN      2
```

Each node has two links and each node is in the OPEN state. The asterisk (\*) denotes the node on which you typed the command.

If LLT does not operate, the command does not return any LLT links information: If only one network is connected, the command returns the following LLT statistics information:

```
LLT node information:
Node           State      Links
* 0 galaxy      OPEN      2
 1 nebula      OPEN      2
 2 saturn       OPEN      1
```

- 3 Log in as superuser on the node nebula.
- 4 Run the `lltstat` command on the node nebula to view the status of LLT.

```
lltstat -n
```

The output on nebula resembles:

```
LLT node information:
Node           State      Links
 0 galaxy      OPEN      2
*1 nebula      OPEN      2
```

- 5 To view additional information about LLT, run the `lltstat -nvv` command on each node.

For example, run the following command on the node `galaxy` in a two-node cluster:

```
lltstat -nvv active
```

The output on `galaxy` resembles the following:

- For Solaris SPARC:

Node	State	Link	Status	Address
*0 galaxy	OPEN			
		<i>qfe:0</i>	UP	08:00:20:93:0E:34
		<i>qfe:1</i>	UP	08:00:20:93:0E:38
1 nebula	OPEN			
		<i>qfe:0</i>	UP	08:00:20:8F:D1:F2
		<i>qfe:1</i>	DOWN	

- For Solaris x64:

Node	State	Link	Status	Address
*0 galaxy	OPEN			
		<i>e1000g:1</i>	UP	08:00:20:93:0E:34
		<i>e1000g:2</i>	UP	08:00:20:93:0E:38
1 nebula	OPEN			
		<i>e1000g:1</i>	UP	08:00:20:8F:D1:F2
		<i>e1000g:2</i>	DOWN	

The command reports the status on the two active nodes in the cluster, `galaxy` and `nebula`.

For each correctly configured node, the information must show the following:

- A state of OPEN
- A status for each link of UP
- An address for each link

However, the output in the example shows different details for the node `nebula`. The private network connection is possibly broken or the information in the `/etc/llttab` file may be incorrect.

- 6 To obtain information about the ports open for LLT, type `lltstat -p` on any node.

For example, type `lltstat -p` on the node `galaxy` in a two-node cluster:

```
lltstat -p
```

The output resembles:

```
LLT port information:
  Port  Usage      Cookie
  ---  -
  0     gab         0x0
        opens:    0 2 3 4 5 6 7 8 9 10 11 ... 60 61 62 63
        connects: 0 1
  7     gab         0x7
        opens:    0 2 3 4 5 6 7 8 9 10 11 ... 60 61 62 63
        connects: 0 1
  31    gab         0x1F
        opens:    0 2 3 4 5 6 7 8 9 10 11 ... 60 61 62 63
        connects: 0 1
```

## Verifying GAB

Verify the GAB operation using the `gabconfig -a` command. This command returns the GAB port membership information.

The ports indicate the following:

- Port a
  - Nodes have GAB communication.
  - gen a36e0003 is a randomly generated number
  - membership 01 indicates that nodes 0 and 1 are connected
- Port b
  - Indicates that the I/O fencing driver is connected to GAB port b.
  - Note:** Port b appears in the `gabconfig` command output only if you had configured I/O fencing after you configured VCS.
  - gen a23da40d is a randomly generated number
  - membership 01 indicates that nodes 0 and 1 are connected
- Port h
  - VCS is started.
  - gen fd570002 is a randomly generated number
  - membership 01 indicates that nodes 0 and 1 are both running VCS

For more information on GAB, refer to the *Veritas Cluster Server Administrator's Guide*.

**To verify GAB**

- 1 To verify that GAB operates, type the following command on each node:

```
/sbin/gabconfig -a
```

- 2 Review the output of the command:

- If GAB operates, the following GAB port membership information is returned:  
 For a cluster where I/O fencing is not configured:

```
GAB Port Memberships
=====
Port a gen a36e0003 membership 01
Port h gen fd570002 membership 01
```

For a cluster where I/O fencing is configured:

```
GAB Port Memberships
=====
Port a gen a36e0003 membership 01
Port b gen a23da40d membership 01
Port h gen fd570002 membership 01
```

Note that port b appears in the `gabconfig` command output only if you had configured I/O fencing. You can also use the `vxafenadm -d` command to verify the I/O fencing configuration.

- If GAB does not operate, the command does not return any GAB port membership information:

```
GAB Port Memberships
=====
```

- If only one network is connected, the command returns the following GAB port membership information:

```
GAB Port Memberships
=====
Port a gen a36e0003 membership 01
Port a gen a36e0003 jeopardy ;1
Port h gen fd570002 membership 01
Port h gen fd570002 jeopardy ;1
```

## Verifying the cluster

Verify the status of the cluster using the `hastatus` command. This command returns the system state and the group state.

Refer to the `hastatus(1M)` manual page.

Refer to the *Veritas Cluster Server Administrator's Guide* for a description of system states and the transitions between them.

### To verify the cluster

- 1 To verify the status of the cluster, type the following command:

```
# hastatus -summary
```

The output resembles:

```
-- SYSTEM STATE
-- System          State          Frozen

A galaxy          RUNNING      0
A nebula          RUNNING      0

-- GROUP STATE
-- Group           System          Probed  AutoDisabled  State

B ClusterService galaxy          Y       N              ONLINE
B ClusterService nebula          Y       N              OFFLINE
```

- 2 Review the command output for the following information:
  - The system state  
If the value of the system state is `RUNNING`, the cluster is successfully started.
  - The ClusterService group state  
In the sample output, the group state lists the ClusterService group, which is `ONLINE` on galaxy and `OFFLINE` on nebula.

## Verifying the cluster nodes

Verify the information of the cluster systems using the `hasys -display` command. The information for each node in the output should be similar.

Refer to the `hasys(1M)` manual page.

Refer to the *Veritas Cluster Server Administrator's Guide* for information about the system attributes for VCS.

---

**Note:** The example in the following procedure is for SPARC. x64 clusters have different command output.

---

### To verify the cluster nodes

- ◆ On one of the nodes, type the `hasys -display` command:

```
# hasys -display
```

The example shows the output when the command is run on the node galaxy. The list continues with similar information for nebula (not shown) and any other nodes in the cluster.

```
#System      Attribute      Value
galaxy       AgentsStopped  0
galaxy       AvailableCapacity  100
galaxy       CPUBinding     BindTo None CPUNumber 0
galaxy       CPUThresholdLevel  Critical 90 Warning 80 Note 70
              Info 60
galaxy       CPUUsage       0
galaxy       CPUUsageMonitoring  Enabled 0 ActionThreshold 0
              ActionTimeLimit 0 Action NONE
              NotifyThreshold 0 NotifyTimeLimit 0

galaxy       Capacity       100
galaxy       ConfigBlockCount  130
galaxy       ConfigChecksum  46688
galaxy       ConfigDiskState  CURRENT
galaxy       ConfigFile      /etc/VRTSvcs/conf/config
galaxy       ConfigInfoCnt   0
galaxy       ConfigModDate   Thu Sep 22 07:14:23 CDT 2011
galaxy       ConnectorState  Down
galaxy       CurrentLimits
galaxy       DiskHbStatus
```

```

galaxy    DynamicLoad          0
galaxy    EngineRestarted      0
galaxy    EngineVersion        6.0.00.0
galaxy    FencingWeight        0
galaxy    Frozen               0
galaxy    GUIIPAddr
galaxy    HostUtilization      CPU 7 Swap 0
galaxy    LLTNodeId            0
galaxy    LicenseType          PERMANENT_SITE
galaxy    Limits
galaxy    LinkHbStatus         qfe:0 UP qfe:1 UP
galaxy    LoadTimeCounter      0
galaxy    LoadTimeThreshold    600
galaxy    LoadWarningLevel     80
galaxy    NoAutoDisable        0
galaxy    NodeId               0
galaxy    OnGrpCnt             1
galaxy    PhysicalServer
galaxy    ShutdownTimeout     600
galaxy    SourceFile           ./main.cf
galaxy    SwapThresholdLevel   Critical 90 Warning 80 Note 70
Info 60
galaxy    SysInfo              Solaris:galaxy,Generic_
118558-11,5.9,sun4u
galaxy    SysName              galaxy
galaxy    SysState             RUNNING
galaxy    SystemLocation

```

```
galaxy      SystemOwner
galaxy      SystemRecipients
galaxy      TFrozen          0
galaxy      TRSE              0
galaxy      UpDownState       Up
galaxy      UserInt           0
galaxy      UserStr
galaxy      VCSFeatures       NONE
galaxy      VCSMode           VCS
```

## Performing a postcheck on a node

The installer's `postcheck` command can help you to determine installation-related problems and provide troubleshooting information.

See [“About using the postcheck option”](#) on page 315.

**To run the postcheck command on a node**

- 1 Run the installer with the `-postcheck` option.

```
# ./installer -postcheck system_name
```

- 2 Review the output for installation-related information.

## About using the postcheck option

You can use the installer's post-check to determine installation-related problems and to aid in troubleshooting.

---

**Note:** This command option requires downtime for the node.

---

When you use the `postcheck` option, it can help you troubleshoot the following VCS-related issues:

- The heartbeat link does not exist.
- The heartbeat link cannot communicate.

- The heartbeat link is a part of a bonded or aggregated NIC.
- A duplicated cluster ID exists.
- The VRTSIlt pkg version is not consistent on the nodes.
- The Ilt-linkinstall value is incorrect.
- The llthosts(4) or llttab(4) configuration is incorrect.
- the `/etc/gabtab` file is incorrect.
- The incorrect GAB linkinstall value exists.
- The VRTSgab pkg version is not consistent on the nodes.
- The `main.cf` file or the `types.cf` file is invalid.
- The `/etc/VRTSvcs/conf/sysname` file is not consistent with the hostname.
- The cluster UUID does not exist.
- The `uuidconfig.pl` file is missing.
- The VRTSvcs pkg version is not consistent on the nodes.
- The `/etc/vxfenmode` file is missing or incorrect.
- The `/etc/vxfendg` file is invalid.
- The vxfen link-install value is incorrect.
- The VRTSvxfen pkg version is not consistent.

The `postcheck` option can help you troubleshoot the following SFHA or SFCFSHA issues:

- Volume Manager cannot start because the `/etc/vx/reconfig.d/state.d/install-db` file has not been removed.
- Volume Manager cannot start because the `Volboot` file is not loaded.
- Volume Manager cannot start because no license exists.
- Cluster Volume Manager cannot start because the CVM configuration is incorrect in the `main.cf` file. For example, the `Autostartlist` value is missing on the nodes.
- Cluster Volume Manager cannot come online because the node ID in the `/etc/llthosts` file is not consistent.
- Cluster Volume Manager cannot come online because Vxfen is not started.
- Cluster Volume Manager cannot start because gab is not configured.
- Cluster Volume Manager cannot come online because of a CVM protocol mismatch.

- Cluster Volume Manager group name has changed from "cvm", which causes CVM to go offline.

See [“Performing a postcheck on a node”](#) on page 315.

# Uninstalling VCS

- [Chapter 29. Uninstalling VCS using the installer](#)
- [Chapter 30. Uninstalling VCS using response files](#)
- [Chapter 31. Manually uninstalling VCS](#)

# Uninstalling VCS using the installer

This chapter includes the following topics:

- [Preparing to uninstall VCS](#)
- [Uninstalling VCS using the script-based installer](#)
- [Uninstalling VCS with the Veritas Web-based installer](#)
- [Removing language packages using the uninstaller program](#)
- [Removing the CP server configuration using the removal script](#)

## Preparing to uninstall VCS

Review the following prerequisites before you uninstall VCS:

- Before you remove VCS from any node in the cluster, shut down the applications that depend on VCS. For example, applications such as Java Console or any high availability agents for VCS.
- Before you remove VCS from fewer than all nodes in a cluster, stop the service groups on the nodes from which you uninstall VCS. You must also reconfigure VCS on the remaining nodes.  
See [“About adding and removing nodes”](#) on page 342.
- If you have manually edited any of the VCS configuration files, you need to reformat them.  
See [“Reformatting VCS configuration files on a stopped cluster”](#) on page 67.

# Uninstalling VCS using the script-based installer

You must meet the following conditions to use the `uninstallvcs` program to uninstall VCS on all nodes in the cluster at one time:

- Make sure that the communication exists between systems. By default, the uninstaller uses `ssh`.
- Make sure you can execute `ssh` or `rsh` commands as superuser on all nodes in the cluster.
- Make sure that the `ssh` or `rsh` is configured to operate without requests for passwords or passphrases.

If you cannot meet the prerequisites, then you must run the `uninstallvcs` program on each node in the cluster.

The `uninstallvcs` program removes all VCS packages and VCS language packages.

The example demonstrates how to uninstall VCS using the `uninstallvcs` program. The `uninstallvcs` program uninstalls VCS on two nodes: `galaxy` and `nebula`. The example procedure uninstalls VCS from all nodes in the cluster.

## Removing VCS 6.0 packages

The program stops the VCS processes that are currently running during the uninstallation process.

### To uninstall VCS

- 1 Log in as superuser from the node where you want to uninstall VCS.
- 2 Start `uninstallvcs` program.

```
# cd /opt/VRTS/install  
# ./uninstallvcs
```

The program specifies the directory where the logs are created. The program displays a copyright notice and a description of the cluster:

- 3 Enter the names of the systems from which you want to uninstall VCS.

The program performs system verification checks and asks to stop all running VCS processes.

- 4 Enter `y` to stop all the VCS processes.

The program stops the VCS processes and proceeds with uninstalling the software.

- 5 Review the output as the `uninstallvcs` program continues to do the following:

- Verifies the communication between systems
  - Checks the installations on each system to determine the packages to be uninstalled.
- 6 Review the output as the uninstaller stops processes, unloads kernel modules, and removes the packages.
  - 7 Note the location of summary, response, and log files that the uninstaller creates after removing all the packages.

## Running `uninstallvcs` from the VCS 6.0 disc

You may need to use the `uninstallvcs` program on the VCS 6.0 disc in one of the following cases:

- You need to uninstall VCS after an incomplete installation.
- The `uninstallvcs` program is not available in `/opt/VRTS/install`.

If you mounted the installation media to `/mnt`, access the `uninstallvcs` program by changing directory to:

```
cd /mnt/cluster_server/  
./uninstallvcs
```

## Uninstalling VCS with the Veritas Web-based installer

This section describes how to uninstall using the Veritas Web-based installer.

---

**Note:** After you uninstall the product, you cannot access any file systems you created using the default disk layout Version in VCS 6.0 with a previous version of VCS.

---

### To uninstall VCS

- 1 Perform the required steps to save any data that you wish to preserve. For example, take back-ups of configuration files.
- 2 Start the Web-based installer.  
See [“Starting the Veritas Web-based installer”](#) on page 141.
- 3 On the Select a task and a product page, select **Uninstall a Product** from the Task drop-down list.
- 4 Select **Veritas Cluster Server** from the Product drop-down list, and click **Next**.

- 5 Indicate the systems on which to uninstall. Enter one or more system names, separated by spaces. Click **Next**.
- 6 After the validation completes successfully, click **Next** to uninstall VCS on the selected system.
- 7 If there are any processes running on the target system, the installer stops the processes. Click **Next**.
- 8 After the installer stops the processes, the installer removes the products from the specified system.  
Click **Next**.
- 9 After the uninstall completes, the installer displays the location of the summary, response, and log files. If required, view the files to confirm the status of the removal.
- 10 Click **Finish**.

You see a prompt recommending that you reboot the system, and then return to the Web page to complete additional tasks.

## Removing language packages using the uninstaller program

The `uninstallvcs` program removes all VCS packages and language packages.

## Removing the CP server configuration using the removal script

This section describes how to remove the CP server configuration from a node or a cluster that hosts the CP server.

---

**Warning:** Ensure that no VCS cluster (application cluster) uses the CP server that you want to unconfigure.

---

You can use the CP server configuration utility (`configure_cps.pl`) to remove the CP server configuration. This utility performs the following tasks when you choose to unconfigure the CP server:

- Removes all CP server configuration files
- Removes the VCS configuration for CP server

After you run this utility, you can uninstall VCS from the node or the cluster.

---

**Note:** You must run the configuration utility only once per CP server (which can be on a single-node VCS cluster or an SFHA cluster), when you want to remove the CP server configuration.

---

**To remove the CP server configuration**

- 1 To run the configuration removal script, enter the following command on the node where you want to remove the CP server configuration:

```
root@mycps1.symantecexample.com # /opt/VRTScps/bin/configure_cps.pl
```

- 2 Select option 3 from the menu to unconfigure the CP server.

```
VERITAS COORDINATION POINT SERVER CONFIGURATION UTILITY
=====
```

```
Select one of the following:
```

- ```
[1] Configure Coordination Point Server on single node VCS system
[2] Configure Coordination Point Server on SFHA cluster
[3] Unconfigure Coordination Point Server
```

- 3 Review the warning message and confirm that you want to unconfigure the CP server.

```
WARNING: Unconfiguring Coordination Point Server stops the
vxcpserv process. VCS clusters using this server for
coordination purpose will have one less coordination point.
```

```
Are you sure you want to bring down the cp server? (y/n)
(Default:n) :y
```

- 4 Review the screen output as the script performs the following steps to remove the CP server configuration:
  - Stops the CP server
  - Removes the CP server from VCS configuration
  - Removes resource dependencies
  - Takes the the CP server service group (CPSSG) offline, if it is online
  - Removes the CPSSG service group from the VCS configuration

**5 Answer y to delete the CP server database.**

```
Do you want to delete the CP Server database? (y/n) (Default:n) :
```

**6 Answer y at the prompt to confirm the deletion of the CP server database.**

```
Warning: This database won't be available if CP server  
is reconfigured on the cluster. Are you sure you want to  
proceed with the deletion of database? (y/n) (Default:n) :
```

**7 Answer y to delete the CP server configuration file and log files.**

```
Do you want to delete the CP Server configuration file  
(/etc/vxcps.conf) and log files (in /var/VRTScps)? (y/n)  
(Default:n) : y
```

**8 Run the `hagrp -state` command to ensure that the CPSSG service group has been removed from the node. For example:**

```
root@mycps1.symantecexample.com # hagrp -state CPSSG
```

```
VCS WARNING V-16-1-40131 Group CPSSG does not exist  
in the local cluster
```

# Uninstalling VCS using response files

This chapter includes the following topics:

- [Uninstalling VCS using response files](#)
- [Response file variables to uninstall VCS](#)
- [Sample response file for uninstalling VCS](#)

## Uninstalling VCS using response files

Typically, you can use the response file that the installer generates after you perform VCS uninstallation on one cluster to uninstall VCS on other clusters.

### To perform an automated uninstallation

- 1 Make sure that you meet the prerequisites to uninstall VCS.
- 2 Copy the response file to the system where you want to uninstall VCS.  
See [“Sample response file for uninstalling VCS”](#) on page 326.
- 3 Edit the values of the response file variables as necessary.  
See [“Response file variables to uninstall VCS”](#) on page 326.
- 4 Start the uninstallation from the system to which you copied the response file.  
For example:

```
# /opt/VRTS/install/uninstallvcs -responsefile /tmp/response_file
```

Where */tmp/response\_file* is the response file's full path name.

## Response file variables to uninstall VCS

[Table 30-1](#) lists the response file variables that you can define to uninstall VCS.

**Table 30-1** Response file variables specific to uninstalling VCS

| Variable            | List or Scalar | Description                                                                                                                                                                                                                                                      |
|---------------------|----------------|------------------------------------------------------------------------------------------------------------------------------------------------------------------------------------------------------------------------------------------------------------------|
| CFG{opt}{uninstall} | Scalar         | Uninstalls VCS packages.<br>(Required)                                                                                                                                                                                                                           |
| CFG{systems}        | List           | List of systems on which the product is to be uninstalled.<br>(Required)                                                                                                                                                                                         |
| CFG{prod}           | Scalar         | Defines the product to be uninstalled.<br>The value is VCS51 for VCS.<br>(Required)                                                                                                                                                                              |
| CFG{opt}{keyfile}   | Scalar         | Defines the location of an ssh keyfile that is used to communicate with all remote systems.<br>(Optional)                                                                                                                                                        |
| CFG{opt}{rsh}       | Scalar         | Defines that <i>rsh</i> must be used instead of <i>ssh</i> as the communication method between systems.<br>(Optional)                                                                                                                                            |
| CFG{opt}{logpath}   | Scalar         | Mentions the location where the log files are to be copied. The default location is <code>/opt/VRTS/install/logs</code> .<br><b>Note:</b> The installer copies the response files and summary files also to the specified <i>logpath</i> location.<br>(Optional) |

## Sample response file for uninstalling VCS

Review the response file variables and their definitions.

See [“Response file variables to uninstall VCS”](#) on page 326.

```
#  
# Configuration Values:  
#  
our %CFG;  
  
$CFG{opt}{uninstall}=1;  
$CFG{prod}="VCS60";  
$CFG{systems}=[ qw(galaxy nebula) ];  
1;
```

# Manually uninstalling VCS

This chapter includes the following topics:

- [Removing VCS packages manually](#)
- [Manually remove the CP server fencing configuration](#)
- [Manually deleting cluster details from a CP server](#)

## Removing VCS packages manually

You must remove the VCS packages from each node in the cluster to uninstall VCS.

To manually remove VCS packages on a node

- 1 Shut down VCS on the local system using the `hastop` command.

```
# hastop -local
```

- 2 Unconfigure the fencing, GAB, LLT, and AMF modules.

```
# /sbin/vxfenconfig -U
# /sbin/gabconfig -U
# /sbin/lltconfig -U
# /opt/VRTSamf/bin/amfconfig -U
```

- 3 Determine the GAB kernel module ID:

```
# modinfo | grep gab
```

The module ID is in the left-hand column of the output.

- 4 Unload the GAB module from the kernel:

```
# modunload -i gab_id
```

- 5 Determine the LLT kernel module ID:

```
# modinfo | grep llt
```

The module ID is in the left-hand column of the output.

- 6 Unload the LLT module from the kernel:

```
# modunload -i llt_id
```

- 7 Determine the AMF kernel module ID:

```
# modinfo | grep amf
```

- 8 Unload the AMF module from the kernel:

```
# modunload -i amf_id
```

## 9 Remove the VCS 6.0 packages in the following order:

```
# pkgrm VRTSvbs
# pkgrm VRTSsfmh
# pkgrm VRTSvcsea
# pkgrm VRTSat (if it exists)
# pkgrm VRTSvcsdr
# pkgrm VRTSvcsag
# pkgrm VRTScps
# pkgrm VRTSvcs
# pkgrm VRTSamf
# pkgrm VRTSvxfen
# pkgrm VRTSgab
# pkgrm VRTSllt
# pkgrm VRTSspt
# pkgrm VRTSsfcp160
# pkgrm VRTSperl
# pkgrm VRTSvlic
```

---

**Note:** The VRTScps package should be removed after manually removing the CP server fencing configuration. See [“Manually remove the CP server fencing configuration”](#) on page 331.

---

## 10 Remove the following language packages:

- Remove the Chinese language support packages.

```
# pkgrm VRTSzhvm
# pkgrm VRTSmulic
```

- Remove the Japanese language support packages.

```
# pkgrm VRTSjavm
# pkgrm VRTSjaodm
# pkgrm VRTSjafs
# pkgrm VRTSjadbe
# pkgrm VRTSjadba
# pkgrm VRTSjacs
# pkgrm VRTSjacse
# pkgrm VRTSjacav
# pkgrm VRTSmulic
```

## Manually remove the CP server fencing configuration

The following procedure describes how to manually remove the CP server fencing configuration from the CP server. This procedure is performed as part of the process to stop and remove server-based IO fencing.

---

**Note:** This procedure must be performed after the VCS cluster has been stopped, but before the VCS cluster software is uninstalled.

---

This procedure is required so that the CP server database can be reused in the future for configuring server-based fencing on the same VCS cluster(s).

Perform the steps in the following procedure to manually remove the CP server fencing configuration.

---

**Note:** The `cpsadm` command is used in the following procedure. For detailed information about the `cpsadm` command, see the *Veritas Cluster Server Administrator's Guide*.

---

### To manually remove the CP server fencing configuration

- 1 Unregister all VCS cluster nodes from all CP servers using the following command:

```
# cpsadm -s cp_server -a unreg_node -u uuid -n nodeid
```

- 2 Remove the VCS cluster from all CP servers using the following command:

```
# cpsadm -s cp_server -a rm_clus -u uuid
```

- 3 Remove all the VCS cluster users communicating to CP servers from all the CP servers using the following command:

```
# cpsadm -s cp_server -a rm_user -e user_name -g domain_type
```

- 4 Proceed to uninstall the VCS cluster software.

## Manually deleting cluster details from a CP server

You can manually delete the cluster details from a coordination point server (CP server) using the following procedure.

**To manually delete cluster details from a CP server**

- 1 List the nodes in the CP server cluster:

```
# cpsadm -s mycps1 -a list_nodes
```

| ClusterName | UUID                                   | Hostname (Node ID) | Registered |
|-------------|----------------------------------------|--------------------|------------|
| cluster1    | {3719a60a-1dd2-11b2-b8dc-197f8305ffc0} | node0 (0)          | 1          |

- 2 List the CP server users:

```
# cpsadm -s mycps1 -a list_users
```

| Username/Domain       | Type | Cluster Name/UUID                               | Role     |
|-----------------------|------|-------------------------------------------------|----------|
| cpsclient@hostname/vx |      | cluster1/{3719a60a-1dd2-11b2-b8dc-197f8305ffc0} | Operator |

- 3 Remove the privileges for each user of the cluster that is listed in step 2 from the CP server cluster. For example:

```
# cpsadm -s mycps1 -a rm_clus_from_user
-c cluster1 -e cpsclient@hostname -g vx -f cps_operator
Cluster successfully deleted from user cpsclient@hostname privileges.
```

- 4 Remove each user of the cluster that is listed in step 2. For example:

```
# cpsadm -s mycps1 -a rm_user -e cpsclient@hostname -g vx
User cpsclient@hostname successfully deleted
```

- 5 Unregister each node that is registered to the CP server cluster. See the output of step 1 for registered nodes. For example:

```
# cpsadm -s mycps1 -a unreg_node -c cluster1 -n 0
Node 0 (node0) successfully unregistered
```

- 6 Remove each node from the CP server cluster. For example:

```
# cpsadm -s mycps1 -a rm_node -c cluster1 -n 0
Node 0 (node0) successfully deleted
```

**7** Remove the cluster.

```
# cpsadm -s mycps1 -a rm_clus -c cluster1
Cluster cluster1 deleted successfully
```

**8** Verify that the cluster details are removed successfully.

```
# cpsadm -s mycps1 -a list_nodes
```

```
ClusterName      UUID              Hostname(Node ID) Registered
=====          =====          =====          =====
```

```
# cpsadm -s mycps1 -a list_users
```

```
Username/Domain Type Cluster Name/UUID      Role
=====          =====          =====          =====
```

# Adding and removing nodes

- [Chapter 32. Adding a node to a single-node cluster](#)
- [Chapter 33. Adding and removing cluster nodes](#)

# Adding a node to a single-node cluster

This chapter includes the following topics:

- [Adding a node to a single-node cluster](#)

## Adding a node to a single-node cluster

All nodes in the new cluster must run the same version of VCS. The example procedure refers to the existing single-node VCS node as Node A. The node that is to join Node A to form a multiple-node cluster is Node B.

[Table 32-1](#) specifies the activities that you need to perform to add nodes to a single-node cluster.

**Table 32-1** Tasks to add a node to a single-node cluster

| Task                                                                                                                                                                                                                                                                         | Reference                                                                                        |
|------------------------------------------------------------------------------------------------------------------------------------------------------------------------------------------------------------------------------------------------------------------------------|--------------------------------------------------------------------------------------------------|
| Set up Node B to be compatible with Node A.                                                                                                                                                                                                                                  | See <a href="#">"Setting up a node to join the single-node cluster"</a> on page 336.             |
| <ul style="list-style-type: none"> <li>■ Add Ethernet cards for private heartbeat network for Node B.</li> <li>■ If necessary, add Ethernet cards for private heartbeat network for Node A.</li> <li>■ Make the Ethernet cable connections between the two nodes.</li> </ul> | See <a href="#">"Installing and configuring Ethernet cards for private network"</a> on page 337. |
| Connect both nodes to shared storage.                                                                                                                                                                                                                                        | See <a href="#">"Configuring the shared storage"</a> on page 338.                                |

**Table 32-1** Tasks to add a node to a single-node cluster (*continued*)

| Task                                                                                                                                                                                                           | Reference                                                                                                           |
|----------------------------------------------------------------------------------------------------------------------------------------------------------------------------------------------------------------|---------------------------------------------------------------------------------------------------------------------|
| <ul style="list-style-type: none"> <li>■ Bring up VCS on Node A.</li> <li>■ Edit the configuration file.</li> </ul>                                                                                            | See <a href="#">“Bringing up the existing node”</a> on page 338.                                                    |
| <p>If necessary, install VCS on Node B and add a license key.</p> <p>Make sure Node B is running the same version of VCS as the version on Node A.</p>                                                         | See <a href="#">“Installing the VCS software manually when adding a node to a single node cluster”</a> on page 339. |
| Edit the configuration files on Node B.                                                                                                                                                                        | See <a href="#">“About the VCS configuration files”</a> on page 413.                                                |
| Start LLT and GAB on Node B.                                                                                                                                                                                   | See <a href="#">“Starting LLT and GAB”</a> on page 339.                                                             |
| <ul style="list-style-type: none"> <li>■ Start LLT and GAB on Node A.</li> <li>■ Copy UUID from Node A to Node B.</li> <li>■ Restart VCS on Node A.</li> <li>■ Modify service groups for two nodes.</li> </ul> | See <a href="#">“Reconfiguring VCS on the existing node”</a> on page 339.                                           |
| <ul style="list-style-type: none"> <li>■ Start VCS on Node B.</li> <li>■ Verify the two-node cluster.</li> </ul>                                                                                               | See <a href="#">“Verifying configuration on both nodes”</a> on page 341.                                            |

## Setting up a node to join the single-node cluster

The new node to join the existing single node that runs VCS must run the same operating system.

### To set up a node to join the single-node cluster

- 1 Do one of the following tasks:
  - If VCS is not currently running on Node B, proceed to step 2.
  - If the node you plan to add as Node B is currently part of an existing cluster, remove the node from the cluster. After you remove the node from the cluster, remove the VCS packages and configuration files.  
See [“Removing a node from a cluster”](#) on page 358.
  - If the node you plan to add as Node B is also currently a single VCS node, uninstall VCS.
  - If you renamed the LLT and GAB startup files, remove them.

- 2 If necessary, install VxVM and VxFS.

See [“Installing VxVM or VxFS if necessary”](#) on page 337.

## Installing VxVM or VxFS if necessary

If you have either VxVM or VxFS with the cluster option installed on the existing node, install the same version on the new node.

Refer to the appropriate documentation for VxVM and VxFS to verify the versions of the installed products. Make sure the same version runs on all nodes where you want to use shared storage.

## Installing and configuring Ethernet cards for private network

Both nodes require Ethernet cards (NICs) that enable the private network. If both Node A and Node B have Ethernet cards installed, you can ignore this step.

For high availability, use two separate NICs on each node. The two NICs provide redundancy for heartbeating.

See [“Setting up the private network”](#) on page 55.

### To install and configure Ethernet cards for private network

- 1 Shut down VCS on Node A.

```
# hastop -local
```

- 2 Shut down the node to get to the OK prompt:

```
# sync;sync;init 0
```

- 3 Install the Ethernet card on Node A.

If you want to use aggregated interface to set up private network, configure aggregated interface.

- 4 Install the Ethernet card on Node B.

If you want to use aggregated interface to set up private network, configure aggregated interface.

- 5 Configure the Ethernet card on both nodes.
- 6 Make the two Ethernet cable connections from Node A to Node B for the private networks.
- 7 Restart the nodes.

## Configuring the shared storage

Make the connection to shared storage from Node B. Configure VxVM on Node B and reboot the node when you are prompted.

See [“Setting up shared storage”](#) on page 59.

## Bringing up the existing node

Bring up the node.

### To bring up the node

- 1 Start the operating system. On a SPARC node (Node A) enter the command:

```
ok boot -r
```

- 2 Log in as superuser.

- 3 Make the VCS configuration writable.

```
# haconf -makerw
```

- 4 Display the service groups currently configured.

```
# hagr -list
```

- 5 Freeze the service groups.

```
# hagr -freeze group -persistent
```

Repeat this command for each service group in step 4.

- 6 Make the configuration read-only.

```
# haconf -dump -makero
```

- 7 Stop VCS on Node A.

```
# hastop -local -force
```

- 8 If you have configured I/O Fencing, GAB, and LLT on the node, stop them.

```
# /usr/sbin/svccadm disable -t gab
```

```
# /usr/sbin/svccadm disable -t llt
```

## Installing the VCS software manually when adding a node to a single node cluster

Install the VCS 6.0 packages manually and install the license key.

Refer to the following sections:

- See “[Preparing for a manual installation](#)” on page 180.
- See “[Adding a license key for a manual installation](#)” on page 185.

## Creating configuration files

Create the configuration files for your cluster.

**To create the configuration files**

- 1 Create the file `/etc/llttab` for a two-node cluster  
See “[Setting up /etc/llttab for a manual installation](#)” on page 195.
- 2 Create the file `/etc/llthosts` that list both the nodes.  
See “[Setting up /etc/llthosts for a manual installation](#)” on page 195.
- 3 Create the file `/etc/gabtab`.  
See “[Configuring GAB manually](#)” on page 198.

## Starting LLT and GAB

On the new node, start LLT and GAB.

**To start LLT and GAB**

- 1 Start LLT on Node B.
  - On Solaris 10:  

```
# /usr/sbin/svccadm enable llt
```
- 2 Start GAB on Node B
  - On Solaris 10:  

```
# /usr/sbin/svccadm enable gab
```

## Reconfiguring VCS on the existing node

Reconfigure VCS on the existing nodes.

**To reconfigure VCS on existing nodes**

- 1 On Node A, create the files `/etc/llttab`, `/etc/llthosts`, and `/etc/gabtab`. Use the files that are created on Node B as a guide, customizing the `/etc/llttab` for Node A.

- 2 Start LLT on Node A.

- Solaris 10:

```
# /usr/sbin/svcadm enable llt
```

- 3 Start GAB on Node A.

- Solaris 10:

```
# /usr/sbin/svcadm enable gab
```

- 4 Check the membership of the cluster.

```
# gabconfig -a
```

- 5 Copy the cluster UUID from the existing node to the new node:

```
# /opt/VRTSvcs/bin/uuidconfig.pl -clus -copy -from_sys \  
node_name_in_running_cluster -to_sys new_sys1 ... new_sysn
```

Where you are copying the cluster UUID from a node in the cluster (*node\_name\_in\_running\_cluster*) to systems from *new\_sys1* through *new\_sysn* that you want to join the cluster.

- 6 Start VCS on Node A.

```
# hastart
```

To start VCS using SMF service, use the following command:

```
# svcadm enable vcs
```

- 7 Make the VCS configuration writable.

```
# haconf -makerw
```

- 8 Add Node B to the cluster.

```
# hasys -add sysB
```

- 9 Add Node B to the system list of each service group.

- List the service groups.  

```
# hagr -list
```
- For each service group that is listed, add the node.  

```
# hagr -modify group SystemList -add sysB 1
```

## Verifying configuration on both nodes

Verify the configuration for the nodes.

To verify the nodes' configuration

- 1 On Node B, check the cluster membership.

```
# gabconfig -a
```

- 2 Start the VCS on Node B.

```
# hstart
```

- 3 Verify that VCS is up on both nodes.

```
# hstatus
```

- 4 List the service groups.

```
# hagr -list
```

- 5 Unfreeze the service groups.

```
# hagr -unfreeze group -persistent
```

- 6 Implement the new two-node configuration.

```
# haconf -dump -makero
```

# Adding and removing cluster nodes

This chapter includes the following topics:

- [About adding and removing nodes](#)
- [Adding nodes using the VCS installer](#)
- [Adding a node using the Web-based installer](#)
- [Manually adding a node to a cluster](#)
- [Removing a node from a cluster](#)

## About adding and removing nodes

After you install VCS and create a cluster, you can add and remove nodes from the cluster. You can create a cluster of up to 64 nodes.

See [“Important preinstallation information for VCS”](#) on page 32.

## Adding nodes using the VCS installer

The VCS installer performs the following tasks:

- Verifies that the node and the existing cluster meet communication requirements.
- Verifies the products and packages installed on the new node.
- Discovers the network interfaces on the new node and checks the interface settings.
- Creates the following files on the new node:

```
/etc/llttab  
/etc/VRTSvcs/conf/sysname
```

- Updates the following configuration files and copies them on the new node:  

```
/etc/llthosts  
/etc/gabtab  
/etc/VRTSvcs/conf/config/main.cf
```
- Copies the following files from the existing cluster to the new node  

```
/etc/vxfenmode  
/etc/vxfendg  
/etc/vx/.uuids/clusuuid  
/etc/default/llt  
/etc/default/gab  
/etc/default/vxfen
```
- Configures disk-based or server-based fencing depending on the fencing mode in use on the existing cluster.

At the end of the process, the new node joins the VCS cluster.

---

**Note:** If you have configured server-based fencing on the existing cluster, make sure that the CP server does not contain entries for the new node. If the CP server already contains entries for the new node, remove these entries before adding the node to the cluster, otherwise the process may fail with an error.

---

### To add the node to an existing VCS cluster using the VCS installer

- 1 Log in as the root user on one of the nodes of the existing cluster.
- 2 Run the VCS installer with the `-addnode` option.

```
# cd /opt/VRTS/install  
# ./installvcs -addnode
```

The installer displays the copyright message and the location where it stores the temporary installation logs.

- 3 Enter the name of a node in the existing VCS cluster. The installer uses the node information to identify the existing cluster.

```
Enter a node name in the VCS cluster to which  
you want to add a node: galaxy
```

- 4 Review and confirm the cluster information.

- 5 Enter the name of the systems that you want to add as new nodes to the cluster.

```
Enter the system names separated by spaces
to add to the cluster: saturn
```

The installer checks the installed products and packages on the nodes and discovers the network interfaces.

- 6 Enter the name of the network interface that you want to configure as the first private heartbeat link.

---

**Note:** The LLT configuration for the new node must be the same as that of the existing cluster. If your existing cluster uses LLT over UDP, the installer asks questions related to LLT over UDP for the new node.

See [“Configuring private heartbeat links”](#) on page 107.

---

```
Enter the NIC for the first private heartbeat
link on saturn: [b,q,?] qfe:0
```

- 7 Enter **y** to configure a second private heartbeat link.

---

**Note:** At least two private heartbeat links must be configured for high availability of the cluster.

---

```
Would you like to configure a second private
heartbeat link? [y,n,q,b,?] (y)
```

- 8 Enter the name of the network interface that you want to configure as the second private heartbeat link.

```
Enter the NIC for the second private heartbeat link
on saturn: [b,q,?] qfe:1
```

- 9 Depending on the number of LLT links configured in the existing cluster, configure additional private heartbeat links for the new node.

The installer verifies the network interface settings and displays the information.

- 10 Review and confirm the information.
- 11 If you have configured SMTP, SNMP, or the global cluster option in the existing cluster, you are prompted for the NIC information for the new node.

```
Enter the NIC for VCS to use on saturn: qfe:2
```

## Adding a node using the Web-based installer

You can use the Web-based installer to add a node to a cluster.

### To add a node to a cluster using the Web-based installer

- 1 From the Task pull-down menu, select **Add a Cluster node**.  
From the product pull-down menu, select the product.  
Click the **Next** button.
- 2 Click **OK** to confirm the prerequisites to add a node.
- 3 In the System Names field enter a name of a node in the cluster where you plan to add the node and click **OK**.  
The installer program checks inter-system communications and compatibility. If the node fails any of the checks, review the error and fix the issue.  
If prompted, review the cluster's name, ID, and its systems. Click the **Yes** button to proceed.
- 4 In the System Names field, enter the names of the systems that you want to add to the cluster as nodes. Separate system names with spaces. Click the **Next** button.  
The installer program checks inter-system communications and compatibility. If the system fails any of the checks, review the error and fix the issue.  
Click the **Next** button. If prompted, click the **Yes** button to add the system and to proceed.
- 5 From the heartbeat NIC pull-down menus, select the heartbeat NICs for the cluster. Click the **Next** button.
- 6 Once the addition is complete, review the log files. Optionally send installation information to Symantec. Click the **Finish** button to complete the node's addition to the cluster.

## Manually adding a node to a cluster

The system you add to the cluster must meet the hardware and software requirements.

See ["Hardware requirements for VCS"](#) on page 33.

[Table 33-1](#) specifies the tasks that are involved in adding a cluster. The example demonstrates how to add a node saturn to already existing nodes, galaxy and nebula.

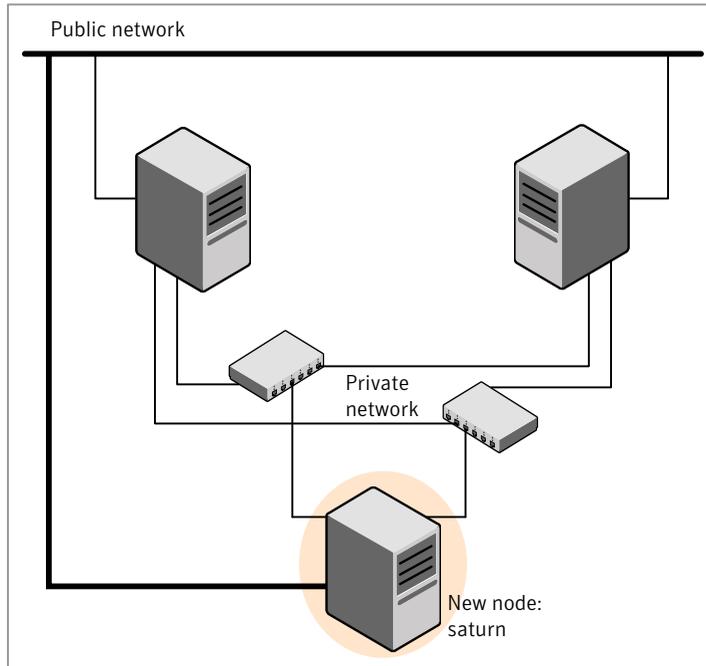
**Table 33-1** Tasks that are involved in adding a node to a cluster

| Task                                                                                          | Reference                                                                                                                                                      |
|-----------------------------------------------------------------------------------------------|----------------------------------------------------------------------------------------------------------------------------------------------------------------|
| Set up the hardware.                                                                          | See <a href="#">“Setting up the hardware”</a> on page 346.                                                                                                     |
| Install the software manually.                                                                | See <a href="#">“Preparing for a manual installation”</a> on page 180.<br>See <a href="#">“Installing VCS packages for a manual installation”</a> on page 183. |
| Add a license key.                                                                            | See <a href="#">“Adding a license key for a manual installation”</a> on page 185.                                                                              |
| Configure LLT and GAB.                                                                        | See <a href="#">“Configuring LLT and GAB when adding a node to the cluster”</a> on page 351.                                                                   |
| Copy the UUID.                                                                                | See <a href="#">“Reconfiguring VCS on the existing node”</a> on page 339.                                                                                      |
| If the existing cluster is configured for I/O fencing, configure I/O fencing on the new node. | See <a href="#">“Configuring I/O fencing on the new node”</a> on page 353.                                                                                     |
| Add the node to the existing cluster.                                                         | See <a href="#">“Adding the node to the existing cluster”</a> on page 357.                                                                                     |
| Start VCS and verify the cluster.                                                             | See <a href="#">“Starting VCS and verifying the cluster”</a> on page 358.                                                                                      |

## Setting up the hardware

[Figure 33-1](#) shows that before you configure a new system on an existing cluster, you must physically add the system to the cluster.

**Figure 33-1** Adding a node to a two-node cluster using two switches



**To set up the hardware**

- 1 Connect the VCS private Ethernet controllers.

Perform the following tasks as necessary:

- When you add nodes to a two-node cluster, use independent switches or hubs for the private network connections. You can only use crossover cables for a two-node cluster, so you might have to swap out the cable for a switch or hub.
- If you already use independent hubs, connect the two Ethernet controllers on the new node to the independent hubs.

Figure 33-1 illustrates a new node being added to an existing two-node cluster using two independent hubs.

- 2 Connect the system to the shared storage, if required.

## Installing the VCS software manually when adding a node

Install the VCS 6.0 packages manually and add a license key.

For more information, see the following:

- See [“Installing VCS software manually”](#) on page 181.
- See [“Adding a license key for a manual installation”](#) on page 185.

## Setting up the node to run in secure mode

You must follow this procedure only if you are adding a node to a cluster that is running in secure mode. If you are adding a node to a cluster that is not running in a secure mode, proceed with configuring LLT and GAB.

See [“Configuring LLT and GAB when adding a node to the cluster”](#) on page 351.

[Table 33-2](#) uses the following information for the following command examples.

**Table 33-2**      The command examples definitions

| Name   | Fully-qualified host name (FQHN) | Function                                         |
|--------|----------------------------------|--------------------------------------------------|
| saturn | saturn.nodes.example.com         | The new node that you are adding to the cluster. |

## Configuring the authentication broker on node saturn

To configure the authentication broker on node saturn

- 1 Extract the embedded authentication files and copy them to temporary directory:

```
# mkdir -p /var/VRTSvcs/vcsauth/bkup  
# cd /tmp; gunzip -c /opt/VRTSvcs/bin/VxAT.tar.gz | tar xvf -
```

- 2 Edit the setup file manually:

```
# /cat /etc/vx/.uuids/clusuuid 2>&1
```

The output is a string denoting the UUID. This UUID (without { and }) is used as the ClusterName for the setup file.

```
{UUID}
```

```
# cat /tmp/eat_setup 2>&1
```

The file content must resemble the following example:

```
AcceptorMode=IP_ONLY  
  
BrokerExeName=vcsauthserver  
  
ClusterName=UUID  
  
DataDir=/var/VRTSvcs/vcsauth/data/VCSAUTHSERVER  
  
DestDir=/opt/VRTSvcs/bin/vcsauth/vcsauthserver  
  
FipsMode=0  
  
IPPort=14149  
  
RootBrokerName=vcsroot_uuid  
  
SetToRBPlusABorNot=0  
  
SetupPDRs=1  
  
SourceDir=/tmp/VxAT/version
```

3 Set up the embedded authentication file:

```
# cd /tmp/VxAT/version/bin/edition_number; \  
./broker_setup.sh/tmp/eat_setup  
  
/opt/VRTSvcs/bin/vcsauth/vcsauthserver/bin/vssregctl -s -f  
/var/VRTSvcs/vcsauth/data/VCSAUTHSERVER/root/.VRTSat/profile \  
/VRTSatlocal.conf -b 'Security\Authentication \  
\Authentication Broker' -k UpdatedDebugLogFileName \  
-v /var/VRTSvcs/log/vcsauthserver.log -t string
```

4 Copy the broker credentials from one node in the cluster to saturn by copying the entire `bkup` directory.

The `bkup` directory content resembles the following example:

```
# cd /var/VRTSvcs/vcsauth/bkup/  
  
# ls  
  
CMDSERVER  CPSADM  CPSEVER  HAD  VCS_SERVICES  WAC
```

5 Import the `VCS_SERVICES` domain.

```
# /opt/VRTSvcs/bin/vcsauth/vcsauthserver/bin/atutil import -z \  
/var/VRTSvcs/vcsauth/data/VCSAUTHSERVER -f /var/VRTSvcs/vcsauth/bkup \  
/VCS_SERVICES -p password
```

6 Import the credentials for HAD, CMDSERVER, CPSADM, CPSEVER, and WAC.

```
# /opt/VRTSvcs/bin/vcsauth/vcsauthserver/bin/atutil import -z \  
/var/VRTSvcs/vcsauth/data/VCS_SERVICES -f /var/VRTSvcs/vcsauth/bkup \  
/HAD -p password
```

7 Start the `vcsauthserver` process on saturn.

```
# /opt/VRTSvcs/bin/vcsauth/vcsauthserver/bin/vcsauthserver.sh
```

**8** Perform the following tasks:

```
# mkdir /var/VRTSvcs/vcsauth/data/CLIENT
# mkdir /var/VRTSvcs/vcsauth/data/TRUST
# export EAT_DATA_DIR='/var/VRTSvcs/vcsauth/data/TRUST'
# /opt/VRTSvcs/bin/vcsauth/vcsauthserver/bin/vssat setuptrust -b \
localhost:14149 -s high
```

**9** Create the `/etc/VRTSvcs/conf/config/.secure` file:

```
# touch /etc/VRTSvcs/conf/config/.secure
```

## Configuring LLT and GAB when adding a node to the cluster

Create the LLT and GAB configuration files on the new node and update the files on the existing nodes.

**To configure LLT when adding a node to the cluster**

- 1** Create the file `/etc/llthosts` on the new node. You must also update it on each of the current nodes in the cluster.

For example, suppose you add saturn to a cluster consisting of galaxy and nebula:

- If the file on one of the existing nodes resembles:

```
0 galaxy
1 nebula
```

- Update the file for all nodes, including the new one, resembling:

```
0 galaxy
1 nebula
2 saturn
```

- 2** Create the file `/etc/llttab` on the new node, making sure that line beginning `"set-node"` specifies the new node.

The file `/etc/llttab` on an existing node can serve as a guide.

The following example describes a system where node saturn is the new node on cluster ID number 2:

- For Solaris SPARC:

```
set-node saturn
set-cluster 2
link qfe0 qfe:0 - ether - -
link qfe1 qfe:1 - ether - -
```

- For Solaris x64:

```
set-node saturn
set-cluster 2
link e1000g0 e1000g:0 - ether - -
link e1000g1 e1000g:1 - ether - -
```

- 3 Copy the following file from one of the nodes in the existing cluster to the new node:

```
/etc/default/llt
```

- 4 On the new system, run the command:

```
# /sbin/lltconfig -c
```

In a setup that uses LLT over UDP, new nodes automatically join the existing cluster if the new nodes and all the existing nodes in the cluster are not separated by a router. However, if you use LLT over UDP6 link with IPv6 address and if the new node and the existing nodes are separated by a router, then do the following:

- Edit the `/etc/llttab` file on each node to reflect the link information about the new node.
- Specify the IPv6 address for UDP link of the new node to all existing nodes. Run the following command on each existing node for each UDP link:

```
# /sbin/lltconfig -a set systemid device_tag address
```

### To configure GAB when adding a node to the cluster

- 1 Create the file `/etc/gabtab` on the new system.

- If the `/etc/gabtab` file on the existing nodes resembles:

```
/sbin/gabconfig -c
```

The file on the new node should be the same. Symantec recommends that you use the `-c -nN` option, where *N* is the total number of cluster nodes.

- If the `/etc/gabtab` file on the existing nodes resembles:

```
/sbin/gabconfig -c -n2
```

The file on all nodes, including the new node, should change to reflect the change in the number of cluster nodes. For example, the new file on each node should resemble:

```
/sbin/gabconfig -c -n3
```

The `-n` flag indicates to VCS the number of nodes that must be ready to form a cluster before VCS starts.

- 2 Copy the following file from one of the nodes in the existing cluster to the new node:

```
/etc/default/gab
```

- 3 On the new node, to configure GAB run the command:

```
# /sbin/gabconfig -c
```

#### To verify GAB

- 1 On the new node, run the command:

```
# /sbin/gabconfig -a
```

The output should indicate that port a membership shows all nodes including the new node. The output should resemble:

```
GAB Port Memberships
=====
Port a gen a3640003 membership 012
```

See [“Verifying GAB”](#) on page 310.

- 2 Run the same command on the other nodes (galaxy and nebula) to verify that the port a membership includes the new node:

```
# /sbin/gabconfig -a
GAB Port Memberships
=====
Port a gen a3640003 membership 012
Port h gen fd570002 membership 01
Port h gen fd570002 visible ; 2
```

## Configuring I/O fencing on the new node

If the existing cluster is configured for I/O fencing, perform the following tasks on the new node:

- Prepare to configure I/O fencing on the new node.  
See [“Preparing to configure I/O fencing on the new node”](#) on page 354.
- If the existing cluster runs server-based fencing, configure server-based fencing on the new node.  
See [“Configuring server-based fencing on the new node”](#) on page 355.  
If the existing cluster runs disk-based fencing, you need not perform any additional step. Skip to the next task. After you copy the I/O fencing files and start I/O fencing, disk-based fencing automatically comes up.
- Copy the I/O fencing files from an existing node to the new node and start I/O fencing on the new node.  
See [“Starting I/O fencing on the new node”](#) on page 356.

If the existing cluster is not configured for I/O fencing, perform the procedure to add the new node to the existing cluster.

See [“Adding the node to the existing cluster”](#) on page 357.

## Preparing to configure I/O fencing on the new node

Perform the following tasks before you configure and start I/O fencing on the new node.

### To prepare to configure I/O fencing on the new node

- 1 Determine whether the existing cluster runs disk-based or server-based fencing mechanism. On one of the nodes in the existing cluster, run the following command:

```
# vxfsadm -d
```

If the fencing mode in the output is SCSI3, then the cluster uses disk-based fencing.

If the fencing mode in the output is CUSTOMIZED, then the cluster uses server-based fencing.

- 2 In the following cases, install and configure Veritas Volume Manager (VxVM) on the new node.
  - The existing cluster uses disk-based fencing.
  - The existing cluster uses server-based fencing with at least one coordinator disk.

You need not perform this step if the existing cluster uses server-based fencing with all coordination points as CP servers.

See the *Veritas Storage Foundation and High Availability Installation Guide* for installation instructions.

## Configuring server-based fencing on the new node

This section describes the procedures to configure server-based fencing on a new node. Depending on whether server-based fencing is configured in secure or non-secure mode on the existing cluster, perform the tasks in one of the following procedures:

- Server-based fencing in non-secure mode:  
[To configure server-based fencing in non-secure mode on the new node](#)
- Server-based fencing in secure mode:  
[To configure server-based fencing with security on the new node](#)

### To configure server-based fencing in non-secure mode on the new node

- 1 Log in to each CP server as the root user.
- 2 Update each CP server configuration with the new node information:

```
# cpsadm -s mycps1.symantecexample.com \  
-a add_node -c clus1 -h saturn -n2
```

```
Node 2 (saturn) successfully added
```

- 3 Verify that the new node is added to the CP server configuration:

```
# cpsadm -s mycps1.symantecexample.com \  
-a list_nodes
```

The new node must be listed in the command output.

- 4 Add the VCS user `cpsclient@saturn` to each CP server:

```
# cpsadm -s mycps1.symantecexample.com \  
-a add_user -e cpsclient@saturn \  
-f cps_operator -g vx
```

```
User cpsclient@saturn successfully added
```

### To configure server-based fencing with security on the new node

- 1 Log in to each CP server as the root user.
- 2 Update each CP server configuration with the new node information:

```
# cpsadm -s mycps1.symantecexample.com \  
-a add_node -c clus1 -h saturn -n2
```

```
Node 2 (saturn) successfully added
```

- 3 Verify that the new node is added to the CP server configuration:

```
# cpsadm -s mycps1.symantecexample.com -a list_nodes
```

The new node must be listed in the output.

### Adding the new node to the vxfen service group

Perform the steps in the following procedure to add the new node to the vxfen service group.

#### To add the new node to the vxfen group using the CLI

- 1 On one of the nodes in the existing VCS cluster, set the cluster configuration to read-write mode:

```
# haconf -makerw
```

- 2 Add the node saturn to the existing vxfen group.

```
# hagrps -modify vxfen SystemList -add saturn 2
```

- 3 Save the configuration by running the following command from any node in the VCS cluster:

```
# haconf -dump -makero
```

### Starting I/O fencing on the new node

Copy the I/O fencing files from an existing node to the new node and start I/O fencing on the new node. This task starts I/O fencing based on the fencing mechanism that is configured in the existing cluster.

#### To start I/O fencing on the new node

- 1 Copy the following I/O fencing configuration files from one of the nodes in the existing cluster to the new node:

- `/etc/vxfenmode`
  - `/etc/vxfendg`—This file is required only for disk-based fencing.
  - `/etc/default/vxfen`
- 2 Start I/O fencing on the new node.  

```
# svcadm enable vxfen
```
  - 3 Run the GAB configuration command on the new node to verify that the port b membership is formed.  

```
# gabconfig -a
```

## Adding the node to the existing cluster

Perform the tasks on one of the existing nodes in the cluster.

### To add the new node to the existing cluster

- 1 Copy the cluster UUID from the one of the nodes in the existing cluster to the new node:

```
# /opt/VRTSvcs/bin/uuidconfig.pl -clus -copy -from_sys \  
node_name_in_running_cluster -to_sys new_sys1 ... new_sysn
```

Where you are copying the cluster UUID from a node in the cluster (*node\_name\_in\_running\_cluster*) to systems from *new\_sys1* through *new\_sysn* that you want to join the cluster.

- 2 Copy the following file from one of the nodes in the existing cluster to the new node:

```
/etc/default/vcs
```

- 3 Enter the command:

```
# haconf -makerw
```

- 4 Add the new system to the cluster:

```
# hasys -add saturn
```

- 5 Copy the main.cf file from an existing node to your new node:

```
# rcp /etc/VRTSvcs/conf/config/main.cf \  
saturn:/etc/VRTSvcs/conf/config/
```

- 6 Check the VCS configuration file. No error message and a return value of zero indicates that the syntax is legal.

```
# hacf -verify /etc/VRTSvcs/conf/config/
```

- 7 If necessary, modify any new system attributes.
- 8 Enter the command:

```
# haconf -dump -makero
```

## Starting VCS and verifying the cluster

Start VCS after adding the new node to the cluster and verify the cluster.

### To start VCS and verify the cluster

- 1 Start VCS on the newly added system:

```
# hastart
```

To start VCS service using SMF, use the following command:

```
# svcadm enable vcs
```

- 2 Run the GAB configuration command on each node to verify that port a and port h include the new node in the membership:

```
# /sbin/gabconfig -a
GAB Port Memberships
=====
Port a gen a3640003 membership 012
Port h gen fd570002 membership 012
```

If the cluster uses I/O fencing, then the GAB output also shows port b membership.

## Removing a node from a cluster

[Table 33-3](#) specifies the tasks that are involved in removing a node from a cluster. In the example procedure, the cluster consists of nodes galaxy, nebula, and saturn; node saturn is to leave the cluster.

**Table 33-3** Tasks that are involved in removing a node

| Task                                                                                                                                                                                                                                                                                            | Reference                                                                                       |
|-------------------------------------------------------------------------------------------------------------------------------------------------------------------------------------------------------------------------------------------------------------------------------------------------|-------------------------------------------------------------------------------------------------|
| <ul style="list-style-type: none"> <li>■ Back up the configuration file.</li> <li>■ Check the status of the nodes and the service groups.</li> </ul>                                                                                                                                            | See <a href="#">“Verifying the status of nodes and service groups”</a> on page 359.             |
| <ul style="list-style-type: none"> <li>■ Switch or remove any VCS service groups on the node departing the cluster.</li> <li>■ Delete the node from VCS configuration.</li> </ul>                                                                                                               | See <a href="#">“Deleting the departing node from VCS configuration”</a> on page 360.           |
| Modify the llthosts(4) and gabtab(4) files to reflect the change.                                                                                                                                                                                                                               | See <a href="#">“Modifying configuration files on each remaining node”</a> on page 363.         |
| If the existing cluster is configured to use server-based I/O fencing, remove the node configuration from the CP server.                                                                                                                                                                        | See <a href="#">“Removing the node configuration from the CP server”</a> on page 364.           |
| For a cluster that is running in a secure mode, remove the security credentials from the leaving node.                                                                                                                                                                                          | See <a href="#">“Removing security credentials from the leaving node ”</a> on page 365.         |
| On the node departing the cluster: <ul style="list-style-type: none"> <li>■ Modify startup scripts for LLT, GAB, and VCS to allow reboot of the node without affecting the cluster.</li> <li>■ Unconfigure and unload the LLT and GAB utilities.</li> <li>■ Remove the VCS packages.</li> </ul> | See <a href="#">“Unloading LLT and GAB and removing VCS on the departing node”</a> on page 365. |

## Verifying the status of nodes and service groups

Start by issuing the following commands from one of the nodes to remain in the cluster node galaxy or node nebula in our example.

## To verify the status of the nodes and the service groups

- 1 Make a backup copy of the current configuration file, main.cf.

```
# cp -p /etc/VRTSvcs/conf/config/main.cf \
/etc/VRTSvcs/conf/config/main.cf.goodcopy
```

- 2 Check the status of the systems and the service groups.

```
# hastatus -summary
```

```
-- SYSTEM STATE
-- System      State      Frozen
A galaxy      RUNNING   0
A nebula      RUNNING   0
A saturn      RUNNING   0

-- GROUP STATE
-- Group       System    Probed   AutoDisabled   State
B grp1        galaxy    Y        N               ONLINE
B grp1        nebula    Y        N               OFFLINE
B grp2        galaxy    Y        N               ONLINE
B grp3        nebula    Y        N               OFFLINE
B grp3        saturn    Y        N               ONLINE
B grp4        saturn    Y        N               ONLINE
```

The example output from the `hastatus` command shows that nodes `galaxy`, `nebula`, and `saturn` are the nodes in the cluster. Also, service group `grp3` is configured to run on node `nebula` and node `saturn`, the departing node. Service group `grp4` runs only on node `saturn`. Service groups `grp1` and `grp2` do not run on node `saturn`.

## Deleting the departing node from VCS configuration

Before you remove a node from the cluster you need to identify the service groups that run on the node.

You then need to perform the following actions:

- Remove the service groups that other service groups depend on, or
- Switch the service groups to another node that other service groups depend on.

**To remove or switch service groups from the departing node**

- 1 Switch failover service groups from the departing node. You can switch grp3 from node saturn to node nebula.

```
# hagrps -switch grp3 -to nebula
```

- 2 Check for any dependencies involving any service groups that run on the departing node; for example, grp4 runs only on the departing node.

```
# hagrps -dep
```

- 3 If the service group on the departing node requires other service groups—if it is a parent to service groups on other nodes—unlink the service groups.

```
# haconf -makerw  
# hagrps -unlink grp4 grp1
```

These commands enable you to edit the configuration and to remove the requirement grp4 has for grp1.

- 4 Stop VCS on the departing node:

```
# hastop -sys saturn
```

To stop VCS using SMF, run the following command:

```
# svcadm disable vcs
```

- 5 Check the status again. The state of the departing node should be EXITED. Make sure that any service group that you want to fail over is online on other nodes.

```
# hastatus -summary
```

```
-- SYSTEM STATE
-- System      State          Frozen
A galaxy       RUNNING        0
A nebula       RUNNING        0
A saturn       EXITED         0

-- GROUP STATE
-- Group       System        Probed   AutoDisabled  State
B grp1        galaxy        Y        N              ONLINE
B grp1        nebula        Y        N              OFFLINE
B grp2        galaxy        Y        N              ONLINE
B grp3        nebula        Y        N              ONLINE
B grp3        saturn        Y        Y              OFFLINE
B grp4        saturn        Y        N              OFFLINE
```

- 6 Delete the departing node from the SystemList of service groups grp3 and grp4.

```
# hagrps -modify grp3 SystemList -delete saturn
# hagrps -modify grp4 SystemList -delete saturn
```

- 7 For the service groups that run only on the departing node, delete the resources from the group before you delete the group.

```
# hagrps -resources grp4
    processx_grp4
    processy_grp4
# hares -delete processx_grp4
# hares -delete processy_grp4
```

- 8 Delete the service group that is configured to run on the departing node.

```
# hagrps -delete grp4
```

## 9 Check the status.

```
# hastatus -summary
-- SYSTEM STATE
-- System      State          Frozen
A galaxy      RUNNING      0
A nebula      RUNNING      0
A saturn      EXITED       0

-- GROUP STATE
-- Group       System        Probed   AutoDisabled  State
B grp1        galaxy        Y        N              ONLINE
B grp1        nebula        Y        N              OFFLINE
B grp2        galaxy        Y        N              ONLINE
B grp3        nebula        Y        N              ONLINE
```

## 10 Delete the node from the cluster.

```
# hasys -delete saturn
```

## 11 Save the configuration, making it read only.

```
# haconf -dump -makero
```

# Modifying configuration files on each remaining node

Perform the following tasks on each of the remaining nodes of the cluster.

### To modify the configuration files on a remaining node

- 1 If necessary, modify the `/etc/gabtab` file.

No change is required to this file if the `/sbin/gabconfig` command has only the argument `-c`. Symantec recommends using the `-nN` option, where *N* is the number of cluster systems.

If the command has the form `/sbin/gabconfig -c -nN`, where *N* is the number of cluster systems, make sure that *N* is not greater than the actual number of nodes in the cluster. When *N* is greater than the number of nodes, GAB does not automatically seed.

Symantec does not recommend the use of the `-c -x` option for `/sbin/gabconfig`.

- 2 Modify `/etc/llhosts` file on each remaining nodes to remove the entry of the departing node.

For example, change:

```
0 galaxy
1 nebula
2 saturn
```

To:

```
0 galaxy
1 nebula
```

## Removing the node configuration from the CP server

After removing a node from a VCS cluster, perform the steps in the following procedure to remove that node's configuration from the CP server.

---

**Note:** The `cpsadm` command is used to perform the steps in this procedure. For detailed information about the `cpsadm` command, see the *Veritas Cluster Server Administrator's Guide*.

---

### To remove the node configuration from the CP server

- 1 Log into the CP server as the root user.
- 2 View the list of VCS users on the CP server, using the following command:

```
# cpsadm -s cp_server -a list_users
```

Where `cp_server` is the virtual IP/ virtual hostname of the CP server.

- 3 Remove the VCS user associated with the node you previously removed from the cluster.

For CP server in non-secure mode:

```
# cpsadm -s cp_server -a rm_user \  
-e cpsclient@saturn -f cps_operator -g vx
```

- 4 Remove the node entry from the CP server:

```
# cpsadm -s cp_server -a rm_node -h saturn -c clus1 -n 2
```

- 5 View the list of nodes on the CP server to ensure that the node entry was removed:

```
# cpsadm -s cp_server -a list_nodes
```

## Removing security credentials from the leaving node

If the leaving node is part of a cluster that is running in a secure mode, you must remove the security credentials from node saturn. Perform the following steps.

### To remove the security credentials

- 1 Stop the AT process.

```
# /opt/VRTSvcs/bin/vcsauth/vcsauthserver/bin/vcsauthserver.sh \  
stop
```

- 2 Remove the credentials.

```
# rm -rf /var/VRTSvcs/vcsauth/data/
```

## Unloading LLT and GAB and removing VCS on the departing node

Perform the tasks on the node that is departing the cluster.

If you have configured VCS as part of the Storage Foundation and High Availability products, you may have to delete other dependent packages before you can delete all of the following ones.

**To unconfigure and unload LLT and GAB and remove VCS**

- 1 If you had configured I/O fencing in enabled mode, then stop I/O fencing.

```
# svcadm disable -t vxfen
```

- 2 Unconfigure GAB and LLT:

```
# /sbin/gabconfig -U
```

```
# /sbin/lltconfig -U
```

- 3 Unload the GAB and LLT modules from the kernel.

- Determine the kernel module IDs:

```
# modinfo | grep gab
```

```
# modinfo | grep llc
```

The module IDs are in the left-hand column of the output.

- Unload the module from the kernel:

```
# modunload -i gab_id
```

```
# modunload -i llt_id
```

- 4 Disable the startup files to prevent LLT, GAB, or VCS from starting up:

```
# /usr/sbin/svcadm disable -t llc
```

```
# /usr/sbin/svcadm disable -t gab
```

```
# /usr/sbin/svcadm disable -t vcs
```

- 5 To determine the packages to remove, enter:

```
# pkginfo | grep VRTS
```

- 6 To permanently remove the VCS packages from the system, use the `pkgrm` command. Start by removing the following packages, which may have been optionally installed, in the order shown:

```
# pkgrm VRTSvcssea
# pkgrm VRTSsat
# pkgrm VRTSvcsag
# pkgrm VRTSscps
# pkgrm VRTSvcs
# pkgrm VRTSsamf
# pkgrm VRTSvxfen
# pkgrm VRTSgab
# pkgrm VRTSllt
# pkgrm VRTSspt
# rpm -e VRTSsfcp160
# pkgrm VRTSperl
# pkgrm VRTSvlic
```

- 7 Remove the LLT and GAB configuration files.

```
# rm /etc/llttab
# rm /etc/gabtab
# rm /etc/llthosts
```

- 8 Remove the language packages and patches.

See [“Removing VCS packages manually”](#) on page 328.

# Installation reference

- [Appendix A. Services and ports](#)
- [Appendix B. VCS installation packages](#)
- [Appendix C. Installation command options](#)
- [Appendix D. Changes to bundled agents in VCS 6.0](#)
- [Appendix E. Configuration files](#)
- [Appendix F. Installing VCS on a single node](#)
- [Appendix G. Configuring LLT over UDP](#)
- [Appendix H. Configuring the secure shell or the remote shell for communications](#)
- [Appendix I. Troubleshooting VCS installation](#)
- [Appendix J. Sample VCS cluster setup diagrams for CP server-based I/O fencing](#)
- [Appendix K. Reconciling major/minor numbers for NFS shared disks](#)
- [Appendix L. Compatibility issues when installing Veritas Cluster Server with other products](#)

# Services and ports

This appendix includes the following topics:

- [About SFHA services and ports](#)

## About SFHA services and ports

If you have configured a firewall, ensure that the firewall settings allow access to the services and ports used by SFHA.

[Table A-1](#) lists the services and ports used by SFHA .

---

**Note:** The port numbers that appear in bold are mandatory for configuring SFHA.

---

**Table A-1** SFHA services and ports

| Port Number       | Protocol | Description                                                            | Process            |
|-------------------|----------|------------------------------------------------------------------------|--------------------|
| <b>2148 (TCP)</b> | TCP      | Veritas Enterprise Administrator (VEA) Server                          | vxsvc.exe          |
| 4145              | TCP/UDP  | VVR Connection Server<br>VCS Cluster Heartbeats                        | vxio.sys           |
| 4888              | TCP      | Veritas Scheduler Service<br>Use to launch the<br>configured schedule. | VxSchedService.exe |
| 5634              | HTTPS    | Veritas Storage Foundation<br>Messaging Service                        | xprtld.exe         |

**Table A-1** SFHA services and ports (*continued*)

| Port Number          | Protocol | Description                                                                                                                                   | Process                                                                                                                                        |
|----------------------|----------|-----------------------------------------------------------------------------------------------------------------------------------------------|------------------------------------------------------------------------------------------------------------------------------------------------|
| <b>7419</b>          | TCP      | Symantec Plugin Host Service<br><br>Solutions Configuration Center (SFWConfigPanel.exe)<br><br>CCF Engine (CEngineDriver.exe)                 | pluginHost.exe                                                                                                                                 |
| 8199                 | TCP      | Volume Replicator Administrative Service                                                                                                      | vras.dll                                                                                                                                       |
| 8989                 | TCP      | VVR Resync Utility                                                                                                                            | vxreserver.exe                                                                                                                                 |
| <b>14141</b>         | TCP      | Veritas High Availability Engine<br><br>Veritas Cluster Manager (Java console) (ClusterManager.exe)<br><br>VCS Agent driver (VCSAgDriver.exe) | had                                                                                                                                            |
| 14144                | TCP/UDP  | VCS Notification                                                                                                                              | Notifier.exe                                                                                                                                   |
| 14149                | TCP/UDP  | VCS Authentication                                                                                                                            | vcsauthserver                                                                                                                                  |
| <b>14150</b>         | TCP      | Veritas Command Server                                                                                                                        | CmdServer                                                                                                                                      |
| 14153, 15550 - 15558 | TCP/UDP  | VCS Cluster Simulator                                                                                                                         | hasim.exe<br><br>For more information about the ports used by the VCS Simulator, see the <i>Veritas Cluster Server Administrator's Guide</i> . |
| 14155                | TCP/UDP  | VCS Global Cluster Option (GCO)                                                                                                               | wac                                                                                                                                            |
| 14156                | TCP/UDP  | VCS Steward for GCO                                                                                                                           | steward                                                                                                                                        |
| 14250                | TCP      | Coordination Point Server                                                                                                                     | Vxcpserv                                                                                                                                       |
| 49152-65535          | TCP/UDP  | Volume Replicator Packets                                                                                                                     | User configurable ports created at kernel level by vxio .sys file                                                                              |

# VCS installation packages

This appendix includes the following topics:

- [Veritas Cluster Server installation packages](#)

## Veritas Cluster Server installation packages

[Table B-1](#) shows the package name and contents for each Veritas Cluster Server package.

**Table B-1** Veritas Cluster Server packages

| Package  | Contents                                                                                                                                    | Required/Optional                                      |
|----------|---------------------------------------------------------------------------------------------------------------------------------------------|--------------------------------------------------------|
| VRTSamf  | Contains the binaries for the Veritas Asynchronous Monitoring Framework kernel driver functionality for the Process and Mount based agents. | Required                                               |
| VRTScps  | Contains the binaries for the Veritas Coordination Point Server.                                                                            | Optional. Required to Coordination Point Server (CPS). |
| VRTSgab  | Contains the binaries for Veritas Cluster Server group membership and atomic broadcast services.                                            | Required<br>Depends on VRTSIlt.                        |
| VRTSIlt  | Contains the binaries for Veritas Cluster Server low-latency transport.                                                                     | Required                                               |
| VRTSperl | Contains Perl binaries for Veritas.                                                                                                         | Required                                               |

**Table B-1** Veritas Cluster Server packages (*continued*)

| Package    | Contents                                                                                                                                                                                                                                                                                                                                                                                                                                                                                                | Required/Optional                                        |
|------------|---------------------------------------------------------------------------------------------------------------------------------------------------------------------------------------------------------------------------------------------------------------------------------------------------------------------------------------------------------------------------------------------------------------------------------------------------------------------------------------------------------|----------------------------------------------------------|
| VRTSsfcp60 | <p>Veritas Storage Foundation Common Product Installer</p> <p>The Storage Foundation Common Product installer package contains the scripts that perform the following:</p> <ul style="list-style-type: none"> <li>■ installation</li> <li>■ configuration</li> <li>■ upgrade</li> <li>■ uninstallation</li> <li>■ adding nodes</li> <li>■ removing nodes</li> <li>■ etc.</li> </ul> <p>You can use this script to simplify the native operating system installations, configurations, and upgrades.</p> | Required                                                 |
| VRTSspt    | Contains the binaries for Veritas Software Support Tools.                                                                                                                                                                                                                                                                                                                                                                                                                                               | Recommended package, optional                            |
| VRTSvcs    | <p>VRTSvcs contains the following components:</p> <ul style="list-style-type: none"> <li>■ Contains the binaries for Veritas Cluster Server.</li> <li>■ Contains the binaries for Veritas Cluster Server manual pages.</li> <li>■ Contains the binaries for Veritas Cluster Server English message catalogs.</li> <li>■ Contains the binaries for Veritas Cluster Server utilities. These utilities include security services.</li> </ul>                                                               | <p>Required</p> <p>Depends on VRTSperl and VRTSvlic.</p> |
| VRTSvcsag  | Contains the binaries for Veritas Cluster Server bundled agents.                                                                                                                                                                                                                                                                                                                                                                                                                                        | <p>Required</p> <p>Depends on VRTSvcs.</p>               |

**Table B-1** Veritas Cluster Server packages (*continued*)

| Package   | Contents                                                                                                                                                                                                                                                                                                                                                                                                             | Required/Optional                                                                                                                                     |
|-----------|----------------------------------------------------------------------------------------------------------------------------------------------------------------------------------------------------------------------------------------------------------------------------------------------------------------------------------------------------------------------------------------------------------------------|-------------------------------------------------------------------------------------------------------------------------------------------------------|
| VRTSvcsea | VRTSvcsea contains the binaries for Veritas high availability agents for DB2, Sybase, and Oracle.                                                                                                                                                                                                                                                                                                                    | Optional for VCS. Required to use VCS with the high availability agents for DB2, Sybase, or Oracle.                                                   |
| VRTSvlic  | Contains the binaries for Symantec License Utilities.                                                                                                                                                                                                                                                                                                                                                                | Required                                                                                                                                              |
| VRTSvxfen | Contains the binaries for Veritas I/O Fencing .                                                                                                                                                                                                                                                                                                                                                                      | Required to use fencing.<br>Depends on VRTSgab.                                                                                                       |
| VRTSsfmh  | Veritas Storage Foundation Managed Recommended Host<br><br>Discovers configuration information on a Storage Foundation managed host. This information is stored on a central database, which is not part of this release. You must download the database separately at:<br><br><a href="http://www.symantec.com/business/storage-foundation-manager">http://www.symantec.com/business/storage-foundation-manager</a> | Recommended                                                                                                                                           |
| VRTSvbs   | Enables fault management and VBS command line operations on VCS nodes managed by Veritas Operations Manager.<br><br>For more information, see the <i>Virtual Business Service–Availability User’s Guide</i> .                                                                                                                                                                                                        | Recommended<br><br>Depends on VRTSsfmh.<br>VRTSsfmh version must be 4.1 or later for VRTSvbs to get installed.                                        |
| VRTSvcsnr | Network reconfiguration service for Oracle VM Server logical domains                                                                                                                                                                                                                                                                                                                                                 | Optional<br><br>You must install VRTSvcsnr manually inside a Oracle VM Server logical domain if the domain is to be configured for disaster recovery. |

Table B-2 shows the package name, contents, and type for each Veritas Cluster Server language package.

**Table B-2** Veritas Cluster Server language packages

| Package   | Contents                                                                                                                                        | Package type              |
|-----------|-------------------------------------------------------------------------------------------------------------------------------------------------|---------------------------|
| VRTSmulic | Contains the multi-language Symantec license utilities.                                                                                         | Common L10N package       |
| VRTSatJA  |                                                                                                                                                 | Japanese language package |
| VRTSjacav | Contains the binaries for Japanese VERITAS Cluster Server Agent Extensions for Storage Cluster File System - Manual Pages and Message Catalogs. | Japanese language package |
| VRTSjacse | Contains Japanese Veritas High Availability Enterprise Agents by Symantec.                                                                      | Japanese language package |
| VRTSjacs  | Contains the binaries for Veritas Cluster Server Japanese Message Catalogs by Symantec.                                                         | Japanese language package |
| VRTSjacsu | Contains the binaries for Japanese Veritas Cluster Utility Language Pack by Symantec.                                                           | Japanese language package |
| VRTSjadba | Contains the binaries for Japanese RAC support package by Symantec.                                                                             | Japanese language package |
| VRTSjadbe | Contains the Japanese Storage Management Software for Databases - Message Catalog.                                                              | Japanese language package |
| VRTSjafs  | Contains the binaries for Japanese Language Message Catalog and Manual Pages for VERITAS File System.                                           | Japanese language package |
| VRTSjaodm | Contains the binaries for Japanese Message Catalog and Man Pages for ODM.                                                                       | Japanese language package |
| VRTSjavm  | Contains the binaries for Japanese Virtual Disk Subsystem Message Catalogs and Manual Pages.                                                    | Japanese language package |

**Table B-2** Veritas Cluster Server language packages (*continued*)

| Package  | Contents                                                                                    | Package type             |
|----------|---------------------------------------------------------------------------------------------|--------------------------|
| VRTSzhvm | Contains the binaries for Chinese Virtual Disk Subsystem Message Catalogs and Manual Pages. | Chinese language package |

# Installation command options

This appendix includes the following topics:

- [Command options for installvcs program](#)
- [Command options for uninstallvcs program](#)

## Command options for installvcs program

The `installvcs` command usage takes the following form:

```
installvcs [ system1 system2... ]
           [ -install | -configure | -uninstall | -license
           | -upgrade | -precheck | -requirements | -start | -stop
           | -postcheck ]
           [ -responsefile response_file ]
           [ -logpath log_path ]
           [ -tmppath tmp_path ]
           [ -tunablesfile tunables_file ]
           [ -timeout timeout_value ]
           [ -keyfile ssh_key_file ]
           [ -hostfile hostfile_path ]
           [ -pkgpath pkg_path ]
           [ -rootpath root_path ]
           [ -jumpstart jumpstart_path ]
           [ -flash_archive flash_archive_path ]
           [ -serial | -rsh | -redirect | -installminpkgs
           | -installrecpkgs | -installallpkgs | -minpkgs
           | -recpkgs | -allpkgs | -pkgset | -pkgtable | -pkginfo
           | -makeresponsefile | -comcleanup | -version | -nolic
```

```
| -ignorepatchreqs | -settunables | -security | -securityonnode
| -securitytrust | -addnode | -fencing | -upgrade_kernelpkgs
| -upgrade_nonkernelpkgs | -rolling_upgrade
| -rollingupgrade_phase1 | -rollingupgrade_phase2 ]
```

**Table C-1** provides a consolidated list of the options used with the `installvcs` command and `uninstallvcs` command.

**Table C-1** installvcs and uninstallvcs options

| Option and Syntax        | Description                                                                                                                                                                                                                                                                                                                |
|--------------------------|----------------------------------------------------------------------------------------------------------------------------------------------------------------------------------------------------------------------------------------------------------------------------------------------------------------------------|
| <code>-addnode</code>    | Add the nodes that you specify to a cluster. The cluster must be online to use this command option to add nodes.                                                                                                                                                                                                           |
| <code>-allpkgs</code>    | View a list of all VCS packages. The <code>installvcs</code> program lists the packages in the correct installation order.<br><br>You can use the output to create scripts for command-line installation, or for installations over a network.<br><br>See the <code>-minpkgs</code> and the <code>-recpkgs</code> options. |
| <code>-comcleanup</code> | Remove the <code>ssh</code> or <code>ssh</code> configuration added by installer on the systems. The option is only required when installation routines that performed auto-configuration of <code>ssh</code> or <code>rsh</code> are abruptly terminated.                                                                 |
| <code>-configure</code>  | Configure VCS after using <code>-install</code> option to install VCS.                                                                                                                                                                                                                                                     |

**Table C-1** installvcs and uninstalvcs options (*continued*)

| Option and Syntax                | Description                                                                                                                                                                                                                                                                                                                                                                                                                                                                                                                                                                                                                                                                                                                                                                                                                                                                                                                                                                                                                                                                                                                                                                                                                                                                                                                                                                                                                                                                                                                                                                                                                              |
|----------------------------------|------------------------------------------------------------------------------------------------------------------------------------------------------------------------------------------------------------------------------------------------------------------------------------------------------------------------------------------------------------------------------------------------------------------------------------------------------------------------------------------------------------------------------------------------------------------------------------------------------------------------------------------------------------------------------------------------------------------------------------------------------------------------------------------------------------------------------------------------------------------------------------------------------------------------------------------------------------------------------------------------------------------------------------------------------------------------------------------------------------------------------------------------------------------------------------------------------------------------------------------------------------------------------------------------------------------------------------------------------------------------------------------------------------------------------------------------------------------------------------------------------------------------------------------------------------------------------------------------------------------------------------------|
| <code>-copyinstallscripts</code> | <p>Use this option when you manually install products and want to use the installation scripts that are stored on the system to perform product configuration, uninstallation, and licensing tasks without the product media.</p> <p>Use this option to copy the installation scripts to an alternate rootpath when you use it with the <code>-rootpath</code> option. The following examples demonstrate the usage for this option:</p> <ul style="list-style-type: none"> <li>■ <code>./installer -copyinstallscripts</code><br/>Copies the installation and uninstallation scripts for all products in the release to <code>/opt/VRTS/install</code>. It also copies the installation Perl libraries to <code>/opt/VRTSperl/lib/site_perl/release_name</code>.</li> <li>■ <code>./installproduct_name -copyinstallscripts</code><br/>Copies the installation and uninstallation scripts for the specified product and any subset products for the product to <code>/opt/VRTS/install</code>. It also copies the installation Perl libraries to <code>/opt/VRTSperl/lib/site_perl/release_name</code>.</li> <li>■ <code>./installer -rootpath alt_root_path -copyinstallscripts</code><br/>The path <code>alt_root_path</code> can be a directory like <code>/rdisk2</code>. In that case, this command copies installation and uninstallation scripts for all the products in the release to <code>/rdisk2/opt/VRTS/install</code>. CPI perl libraries are copied at <code>/rdisk2/opt/VRTSperl/lib/site_perl/release_name</code>. For example, for the 6.0 release, the <code>release_name</code> is <code>UXRT60</code>.</li> </ul> |
| <code>-fencing</code>            | Configure I/O fencing after you configure VCS. The script provides an option to configure disk-based I/O fencing or server-based I/O fencing.                                                                                                                                                                                                                                                                                                                                                                                                                                                                                                                                                                                                                                                                                                                                                                                                                                                                                                                                                                                                                                                                                                                                                                                                                                                                                                                                                                                                                                                                                            |
| <code>-flash_archive</code>      | Generate Flash archive scripts which can be used by Solaris Jumpstart Server for automated Flash archive installation of all packages and patches for every product, an available location to store the post deployment scripts should be specified as a complete path.                                                                                                                                                                                                                                                                                                                                                                                                                                                                                                                                                                                                                                                                                                                                                                                                                                                                                                                                                                                                                                                                                                                                                                                                                                                                                                                                                                  |
| <code>-hostfile</code>           | Specify the location of a file that contains the system names for the installer.                                                                                                                                                                                                                                                                                                                                                                                                                                                                                                                                                                                                                                                                                                                                                                                                                                                                                                                                                                                                                                                                                                                                                                                                                                                                                                                                                                                                                                                                                                                                                         |
| <code>-install</code>            | Install product packages on systems without configuring VCS.                                                                                                                                                                                                                                                                                                                                                                                                                                                                                                                                                                                                                                                                                                                                                                                                                                                                                                                                                                                                                                                                                                                                                                                                                                                                                                                                                                                                                                                                                                                                                                             |
| <code>-installallpkgs</code>     | Select all the packages for installation.<br><br>See the <code>-allpkgs</code> option.                                                                                                                                                                                                                                                                                                                                                                                                                                                                                                                                                                                                                                                                                                                                                                                                                                                                                                                                                                                                                                                                                                                                                                                                                                                                                                                                                                                                                                                                                                                                                   |

**Table C-1** installvcs and uninstallvcs options (*continued*)

| Option and Syntax                            | Description                                                                                                                                                                                                                                                                                                                                                                             |
|----------------------------------------------|-----------------------------------------------------------------------------------------------------------------------------------------------------------------------------------------------------------------------------------------------------------------------------------------------------------------------------------------------------------------------------------------|
| <code>-installminpkgs</code>                 | Select the minimum packages for installation.<br><br>See the <code>-minpkgs</code> option.                                                                                                                                                                                                                                                                                              |
| <code>-installrecpkgs</code>                 | Select the recommended packages for installation.<br><br>See the <code>-recpkgs</code> option.                                                                                                                                                                                                                                                                                          |
| <code>-jumpstart</code><br><i>dir_path</i>   | Use this option to generate the finish scripts that the Solaris JumpStart Server can use for Veritas products. The <i>dir_path</i> indicates the path to an existing directory where the installer must store the finish scripts.                                                                                                                                                       |
| <code>-keyfile</code><br><i>ssh_key_file</i> | Specify a key file for SSH. The option passes <code>-i ssh_key_file</code> with each SSH invocation.                                                                                                                                                                                                                                                                                    |
| <code>-license</code>                        | Register or update product licenses on the specified systems. This option is useful to replace a demo license.                                                                                                                                                                                                                                                                          |
| <code>-logpath</code><br><i>log_path</i>     | Specify that <code>log_path</code> , not <code>/opt/VRTS/install/logs</code> , is the location where <code>installvcs</code> log files, summary file, and response file are saved.                                                                                                                                                                                                      |
| <code>-makeresponsefile</code>               | Generate a response file. No actual software installation occurs when you use this option.<br><br>Create a response file or to verify that your system configuration is ready for uninstalling VCS.                                                                                                                                                                                     |
| <code>-minpkgs</code>                        | View a list of the minimal packages for VCS. The <code>installvcs</code> program lists the packages in the correct installation order. The list does not include the optional packages.<br><br>You can use the output to create scripts for command-line installation, or for installations over a network.<br><br>See the <code>-allpkgs</code> and the <code>-recpkgs</code> options. |
| <code>-nolic</code>                          | Install product packages on systems without licensing or configuration. License-based features or variants are not installed when you use this option.                                                                                                                                                                                                                                  |

**Table C-1** installvcs and uninstallvcs options (*continued*)

| Option and Syntax           | Description                                                                                                                                                                                                                                                                                                                                                 |
|-----------------------------|-------------------------------------------------------------------------------------------------------------------------------------------------------------------------------------------------------------------------------------------------------------------------------------------------------------------------------------------------------------|
| -pkginfo                    | <p>Display a list of packages in the order of installation in a user-friendly format.</p> <p>Use this option with one of the following options:</p> <ul style="list-style-type: none"> <li>■ -allpkgs</li> <li>■ -minpkgs</li> <li>■ -recpkgs</li> </ul> <p>If you do not specify an option, all three lists of packages are displayed.</p>                 |
| -pkgpath<br><i>pkg_path</i> | <p>Specify that <i>pkg_path</i> contains all packages that the installvcs program is about to install on all systems. The <i>pkg_path</i> is the complete path of a directory, usually NFS mounted.</p>                                                                                                                                                     |
| -pkgset                     | <p>Discover and lists the 6.0 packages installed on the systems that you specify.</p>                                                                                                                                                                                                                                                                       |
| -pkgtable                   | <p>Display the VCS 6.0 packages in the correct installation order.</p>                                                                                                                                                                                                                                                                                      |
| -postcheck                  | <p>Check for different HA and file system-related processes, the availability of different ports, and the availability of cluster-related service groups.</p>                                                                                                                                                                                               |
| -precheck                   | <p>Verify that systems meet the installation requirements before proceeding with VCS installation.</p> <p>Symantec recommends doing a precheck before you install VCS.</p> <p>See <a href="#">“Performing automated preinstallation check”</a> on page 67.</p>                                                                                              |
| -recpkgs                    | <p>View a list of the recommended packages for VCS. The installvcs program lists the packages in the correct installation order. The list does not include the optional packages.</p> <p>You can use the output to create scripts for command-line installation, or for installations over a network.</p> <p>See the -allpkgs and the -minpkgs options.</p> |
| -requirements               | <p>View a list of required operating system version, required patches, file system space, and other system requirements to install VCS.</p>                                                                                                                                                                                                                 |

**Table C-1** installvcs and uninstalvcs options (*continued*)

| Option and Syntax                            | Description                                                                                                                                                                                                                                                                                                                                                                                                                                                                                                                                                                                                                                                                                                                                                                   |
|----------------------------------------------|-------------------------------------------------------------------------------------------------------------------------------------------------------------------------------------------------------------------------------------------------------------------------------------------------------------------------------------------------------------------------------------------------------------------------------------------------------------------------------------------------------------------------------------------------------------------------------------------------------------------------------------------------------------------------------------------------------------------------------------------------------------------------------|
| <code>-responsefile<br/>response_file</code> | <p>Perform automated VCS installation using the system and the configuration information that is stored in a specified file instead of prompting for information.</p> <p>The response file must be specified with the <code>-responsefile</code> option. If not specified, the response file is automatically generated as <code>installernumber.response</code> where <i>number</i> is random. You must edit the response file to use it for subsequent installations. Variable field definitions are defined within the file.</p> <p>See <a href="#">“Installing VCS using response files”</a> on page 155.</p> <p>See <a href="#">“Configuring VCS using response files”</a> on page 160.</p> <p>See <a href="#">“Upgrading VCS using response files”</a> on page 258.</p> |
| <code>-rootpath<br/>root_path</code>         | <p>Specify that <code>root_path</code> is the root location for the installation of all packages.</p> <p>On Solaris, <code>-rootpath</code> passes <code>-R root_path</code> to <code>pkgadd</code> command.</p>                                                                                                                                                                                                                                                                                                                                                                                                                                                                                                                                                              |
| <code>-redirect</code>                       | <p>Specify that the installer need not display the progress bar details during the installation.</p>                                                                                                                                                                                                                                                                                                                                                                                                                                                                                                                                                                                                                                                                          |
| <code>-rsh</code>                            | <p>Specify that <code>rsh</code> and <code>rcp</code> are to be used for communication between systems instead of <code>ssh</code> and <code>scp</code>. This option requires that systems be preconfigured such that <code>rsh</code> commands between systems execute without prompting for passwords or confirmations</p>                                                                                                                                                                                                                                                                                                                                                                                                                                                  |
| <code>-security</code>                       | <p>Enable or disable secure mode in a VCS cluster.</p> <p>See the <i>Veritas Cluster Server Administrator's Guide</i> for instructions.</p>                                                                                                                                                                                                                                                                                                                                                                                                                                                                                                                                                                                                                                   |
| <code>-securityonenode</code>                | <p>Form a secure cluster node by node in environments that do not support passwordless <code>ssh</code> or passwordless <code>rsh</code>.</p> <p>See <a href="#">“Configuring a secure cluster node by node”</a> on page 114.</p>                                                                                                                                                                                                                                                                                                                                                                                                                                                                                                                                             |
| <code>-securitytrust</code>                  | <p>Set up a trust relationship between your VCS cluster and a broker.</p> <p>See <a href="#">“Setting up trust relationships for your VCS cluster”</a> on page 113.</p>                                                                                                                                                                                                                                                                                                                                                                                                                                                                                                                                                                                                       |
| <code>-serial</code>                         | <p>Perform the installation, uninstallation, start, and stop operations on the systems in a serial fashion. By default, the installer performs these operations simultaneously on all the systems.</p>                                                                                                                                                                                                                                                                                                                                                                                                                                                                                                                                                                        |

**Table C-1** installvcs and uninstallvcs options (*continued*)

| Option and Syntax           | Description                                                                                                                                                                                                                                                                                                                                                               |
|-----------------------------|---------------------------------------------------------------------------------------------------------------------------------------------------------------------------------------------------------------------------------------------------------------------------------------------------------------------------------------------------------------------------|
| -start                      | <p>Start the daemons and processes for VCS.</p> <p>If the installvcs program failed to start up all the VCS processes, you can use the -stop option to stop all the processes and then use the -start option to start the processes.</p> <p>See the -stop option.</p> <p>See <a href="#">“Starting and stopping processes for the Veritas products ”</a> on page 455.</p> |
| -stop                       | <p>Stop the daemons and processes for VCS.</p> <p>If the installvcs program failed to start up all the VCS processes, you can use the -stop option to stop all the processes and then use the -start option to start the processes.</p> <p>See the -start option.</p> <p>See <a href="#">“Starting and stopping processes for the Veritas products ”</a> on page 455.</p> |
| -timeout                    | <p>Specifies the timeout value (in seconds) for each command that the installer issues during the installation. The default timeout value is set to 600 seconds.</p>                                                                                                                                                                                                      |
| -tmppath<br><i>tmp_path</i> | <p>Specify that <i>tmp_path</i> is the working directory for installvcs program. This path is different from the /var/tmp path. This destination is where the installvcs program performs the initial logging and where the installvcs program copies the packages on remote systems before installation.</p>                                                             |
| -uninstall                  | <p>Uninstall VCS from the systems that you specify.</p>                                                                                                                                                                                                                                                                                                                   |
| -upgrade                    | <p>Upgrade the installed packages on the systems that you specify.</p>                                                                                                                                                                                                                                                                                                    |
| -rollingupgrade_phase1      | <p>Upgrade the product kernel packages to the latest version during rolling upgrade Phase 1.</p>                                                                                                                                                                                                                                                                          |
| -rollingupgrade_phase2      | <p>Upgrade the VCS and other agent packages to the latest version during rolling upgrade Phase 2. Product kernel drivers are rolling-upgraded to the latest protocol version.</p>                                                                                                                                                                                         |

**Table C-1** installvcs and uninstallvcs options (*continued*)

| Option and Syntax      | Description                                                                                                                                                                                                                                                                                                                           |
|------------------------|---------------------------------------------------------------------------------------------------------------------------------------------------------------------------------------------------------------------------------------------------------------------------------------------------------------------------------------|
| -version               | Check and display the installed product and version. Identify the installed and missing packages for the product. Provide a summary that includes the count of the installed and any missing packages. Lists the installed patches, hotfixes, and available updates for the installed product if an Internet connection is available. |
| -settunables           | Set tunable parameters after a product is installed and configured. Processes of the installed product may need to be restarted for the tunable parameter values to take effect. This option must be used together with -tunablesfile option.                                                                                         |
| -tunablesfile          | Specify a tunables file including tunable parameters to be set.                                                                                                                                                                                                                                                                       |
| -upgrade_kernelpkgs    | Has been renamed to -rollingupgrade_phase1                                                                                                                                                                                                                                                                                            |
| -upgrade_nonkernelpkgs | Has been renamed to -rollingupgrade_phase2                                                                                                                                                                                                                                                                                            |

## Command options for uninstallvcs program

The `uninstallvcs` command usage takes the following form:

```
uninstallvcs [ system1 system2... ]
    [ -uninstall ]
    [ -responsefile response_file ]
    [ -logpath log_path ]
    [ -tmppath tmp_path ]
    [ -tunablesfile tunables_file ]
    [ -timeout timeout_value ]
    [ -keyfile ssh_key_file ]
    [ -hostfile hostfile_path ]
    [ -pkgpath pkg_path ]
    [ -rootpath root_path ]
    [ -jumpstart jumpstart_path ]
    [ -flash_archive flash_archive_path ]
    [ -serial | -rsh | -redirect | -makeresponsefile
    | -comcleanup | -version | -nolic | -ignorepatchreqs
    | -settunables | -security | -securityonenode
    | -securitytrust | -addnode | -fencing | -upgrade_kernelpkgs
    | -upgrade_nonkernelpkgs | -rolling_upgrade
```

```
| -rollingupgrade_phase1  
| -rollingupgrade_phase2 ]
```

For description of the `uninstallsvc` command options:

See [Table C-1](#) on page 377.

# Changes to bundled agents in VCS 6.0

This appendix includes the following topics:

- [Deprecated agents](#)
- [New agents](#)
- [New and modified attributes for VCS 6.0 agents](#)
- [Manually removing deprecated resource types and modifying attributes](#)
- [Creating new VCS accounts if you used native operating system accounts](#)

## Deprecated agents

The following agents are no longer supported:

- CampusCluster
- CFSQlogckd
- ClusterMonitorConfig
- DiskReservation
- NFSLock
- Service group heartbeat (ServiceGroupHB)
- SANVolume
- VRTSWebApp

---

**Note:** No agents were deprecated since the 5.1 SP1 release.

---

## New agents

The following new agent is added in the 6.0 release:

- AlternatelO—Monitors VCS storage and network service groups that in turn monitor redundant I/O services exported from the control domain and alternate I/O domain to a guest logical domain.

The following agents were added in the 5.1 SP1 release:

- VolumeSet—Brings Veritas Volume Manager (VxVM) volume sets online and offline, and monitors them.
- Disk—Monitors a physical disk or a partition.
- Project—Adds, deletes, and monitors Solaris projects.

The following agents were added in the 5.1 release:

- CoordPoint—Provides server-based I/O fencing.

The following agents were added in the 5.0 MP3 release:

- DiskGroupSnap—Verifies the configuration and the data integrity in a campus cluster environment.
- LDom—Monitors and manages logical domains on Solaris SPARC.
- Zpool—Monitors ZFS storage pools.
- SambaServer—Monitors the smbd process.
- SambaShare—Use to make a Samba Share highly available or to monitor it.
- NetBios—Use to make the nmbd process highly available or to monitor it.

The following agents were added in the 5.0 release:

- Apache (now bundled on all platforms)—Provides high availability to an Apache Web server.
- NFSRestart—Provides high availability for NFS record locks.
- ProcessOnOnly—Starts and monitors a user-specified process.
- RemoteGroup—Monitors and manages a service group on another system.

Refer to the *Veritas Cluster Server Bundled Agents Reference Guide* for more information on these new agents.

## New and modified attributes for VCS 6.0 agents

- [Table D-1](#) lists the attributes that VCS adds or modifies when you upgrade from VCS 5.1 SP1 to VCS 6.0.

- [Table D-2](#) lists the attributes that VCS adds or modifies when you upgrade from VCS 5.1 to VCS 5.1 SP1.
- [Table D-3](#) lists the attributes that VCS adds or modifies when you upgrade from VCS 5.0 MP3 to VCS 5.1.
- [Table D-4](#) lists the attributes that VCS adds or modifies when you upgrade from VCS 5.0 to VCS 5.0 MP3.
- [Table D-5](#) lists the attributes that VCS adds or modifies when you upgrade from VCS 4.1 to VCS 5.0.

**Table D-1** Changes to attributes from VCS 5.1 SP1 to VCS 6.0

| Agent                      | New and modified attributes                       | Default value                                                                                                                    |
|----------------------------|---------------------------------------------------|----------------------------------------------------------------------------------------------------------------------------------|
| AlternateIO<br>(New agent) | New attributes                                    |                                                                                                                                  |
|                            | AgentFile                                         | bin/Script51Agent                                                                                                                |
|                            | ArgList                                           | { StorageSG, NetworkSG }                                                                                                         |
|                            | StorageSG                                         | { }                                                                                                                              |
|                            | NetworkSG                                         | { }                                                                                                                              |
|                            | Application                                       | Modified attributes                                                                                                              |
|                            | ArgList<br>(new attribute added to list)          | { State, IState, User, StartProgram, StopProgram, CleanProgram, MonitorProgram, PidFiles, MonitorProcesses, EnvFile, UseSUDash } |
|                            | IMF                                               | { Mode = 3, MonitorFreq = 1, RegisterRetryLimit = 3 }                                                                            |
|                            | SupportedActions<br>(new action added to keylist) | { "program.vfd", "user.vfd", "cksum.vfd", getcksum, propcv }                                                                     |
| DNS                        | New attributes                                    |                                                                                                                                  |
|                            | UseGSSAPI                                         | 0                                                                                                                                |

**Table D-1** Changes to attributes from VCS 5.1 SP1 to VCS 6.0 (*continued*)

| Agent         | New and modified attributes                         | Default value                                                                                                                                                            |
|---------------|-----------------------------------------------------|--------------------------------------------------------------------------------------------------------------------------------------------------------------------------|
|               | RefreshInterval                                     | 0                                                                                                                                                                        |
|               | CleanRRKeys                                         | 0                                                                                                                                                                        |
|               | Modified attribute                                  |                                                                                                                                                                          |
|               | ArgList<br>(new attribute added to list)            | { Domain, TTL, TSIGKeyFile, StealthMasters, ResRecord, CreatePTR, OffDeIRR, UseGSSAPI, RefreshInterval, CleanRRKeys }                                                    |
| DiskGroup     |                                                     |                                                                                                                                                                          |
|               | Modified attributes                                 |                                                                                                                                                                          |
|               | PanicSystemOnDGLoss<br>(attribute data type change) | int PanicSystemOnDGLoss = 0                                                                                                                                              |
|               | ArgList<br>(new attribute added to list)            | { DiskGroup, StartVolumes, StopVolumes, MonitorOnly, MonitorReservation, tempUseFence, PanicSystemOnDGLoss, DiskGroupType, UmountVolumes, Reservation, ConfidenceLevel } |
| DiskGroupSnap |                                                     |                                                                                                                                                                          |
|               | New attribute                                       |                                                                                                                                                                          |
|               | FDType                                              | ""                                                                                                                                                                       |
|               | Modified attribute                                  |                                                                                                                                                                          |
|               | ArgList<br>(new attribute added to list)            | { TargetResName, FDSiteName, FDType }                                                                                                                                    |
| IP            |                                                     |                                                                                                                                                                          |
|               | Modified attribute                                  |                                                                                                                                                                          |
|               | RegList                                             | { NetMask }                                                                                                                                                              |
| IPMultiNIC    |                                                     |                                                                                                                                                                          |
|               | Modified attribute                                  |                                                                                                                                                                          |
|               | ToleranceLimit                                      | 1                                                                                                                                                                        |

**Table D-1** Changes to attributes from VCS 5.1 SP1 to VCS 6.0 (*continued*)

| Agent                                    | New and modified attributes              | Default value                                                                                                                                              |
|------------------------------------------|------------------------------------------|------------------------------------------------------------------------------------------------------------------------------------------------------------|
| LDom                                     |                                          |                                                                                                                                                            |
|                                          | New attributes                           |                                                                                                                                                            |
|                                          | DNS                                      | ""                                                                                                                                                         |
|                                          | Netmask                                  | ""                                                                                                                                                         |
|                                          | CEInfo                                   | { Enabled=0, CESystem=NONE, FaultOnHBLoss=1 }                                                                                                              |
|                                          | Gateway                                  | ""                                                                                                                                                         |
|                                          | ConfigureNetwork                         | 0                                                                                                                                                          |
|                                          | IPAddress                                | ""                                                                                                                                                         |
|                                          | Memory                                   | ""                                                                                                                                                         |
|                                          | IntentionalOffline                       | 1                                                                                                                                                          |
|                                          | RemoveLDomConfigForMigration             | 0                                                                                                                                                          |
|                                          | Modified attributes                      |                                                                                                                                                            |
|                                          | AEPTIMEOUT                               | 1                                                                                                                                                          |
|                                          | ArgList<br>(new attribute added to list) | { State, IState, LDomName, CfgFile, MonitorCPU, NumCPU, ConfigureNetwork, IPAddress, Netmask, Gateway, DNS, Memory, Memory, RemoveLDomConfigForMigration } |
| AgentFile                                | bin/Script51Agent                        |                                                                                                                                                            |
| RegList<br>(new attribute added to list) | { NumCPU, Memory }                       |                                                                                                                                                            |
| Mount                                    | Modified attributes                      |                                                                                                                                                            |
|                                          | AEPTIMEOUT                               | 1                                                                                                                                                          |
|                                          | IMF                                      | { Mode = 3, MonitorFreq = 1, RegisterRetryLimit = 3 }                                                                                                      |

**Table D-1** Changes to attributes from VCS 5.1 SP1 to VCS 6.0 (*continued*)

| Agent      | New and modified attributes                         | Default value                                                                                                                                                                                    |
|------------|-----------------------------------------------------|--------------------------------------------------------------------------------------------------------------------------------------------------------------------------------------------------|
|            | SecondLevelMonitor<br>(deprecated attribute)        |                                                                                                                                                                                                  |
|            | SecondLevelTimeout<br>(deprecated attribute)        |                                                                                                                                                                                                  |
|            | ArgList<br>(list updated for deprecated attributes) | { MountPoint, BlockDevice, FSType, MountOpt, FsckOpt, SnapUmount, CkptUmount, OptCheck, CreateMntPt, MntPtPermission, MntPtOwner, MntPtGroup, AccessPermissionChk, RecursiveMnt, VxFSMountLock } |
| Process    |                                                     |                                                                                                                                                                                                  |
|            | Modified attribute                                  |                                                                                                                                                                                                  |
|            | IMF                                                 | { Mode = 3, MonitorFreq = 5, RegisterRetryLimit = 3 }                                                                                                                                            |
| RVGPrimary |                                                     |                                                                                                                                                                                                  |
|            | Modified attribute                                  |                                                                                                                                                                                                  |
|            | ArgList<br>(new attribute added to list)            | { RvgResourceName, "RvgResourceName:RVG", "RvgResourceName:DiskGroup", AutoTakeover, AutoResync, BunkerSyncTimeOut, BunkerSyncElapsedTime }                                                      |
| Zone       |                                                     |                                                                                                                                                                                                  |
|            | New attributes                                      |                                                                                                                                                                                                  |
|            | DROpts                                              | { }                                                                                                                                                                                              |
|            | DeleteVCSZoneUser                                   | 0                                                                                                                                                                                                |
|            | Modified attributes                                 |                                                                                                                                                                                                  |
|            | IMF<br>(attribute data type change)                 | static int IMF{} = { Mode = 3, MonitorFreq = 5, RegisterRetryLimit = 3 }                                                                                                                         |

**Table D-1** Changes to attributes from VCS 5.1 SP1 to VCS 6.0 (*continued*)

| Agent | New and modified attributes               | Default value                                                                                                             |
|-------|-------------------------------------------|---------------------------------------------------------------------------------------------------------------------------|
|       | AEPTIMEOUT                                | 1                                                                                                                         |
|       | IMFRegList                                | { BootState }                                                                                                             |
|       | ArgList<br>(new attributes added to list) | { Pool, BootState, ShutdownGracePeriod, RunFsck, DetachZonePath, ForceAttach, DeleteVCSZoneUser, DROpts }                 |
| Zpool |                                           |                                                                                                                           |
|       | New attributes                            |                                                                                                                           |
|       | ForceOpt                                  | 0                                                                                                                         |
|       | DeviceDir                                 | []                                                                                                                        |
|       | FailMode                                  | continue                                                                                                                  |
|       | ForceRecoverOpt                           | 0                                                                                                                         |
|       | Modified attribute                        |                                                                                                                           |
|       | ArgList<br>(new attribute added to list)  | { PoolName, AltRootPath, ChkZFSMounts, ZoneResName, "ZoneResName:State", DeviceDir, FailMode, ForceOpt, ForceRecoverOpt } |

**Table D-2** Changes to attributes from VCS 5.1 to VCS 5.1 SP1

| Agent       | New and modified attributes | Default value                                        |
|-------------|-----------------------------|------------------------------------------------------|
| Application |                             |                                                      |
|             | New attributes              |                                                      |
|             | EnvFile                     | ""                                                   |
|             | UseSUDash                   | 0                                                    |
|             | RegList                     | { MonitorProcesses, User }                           |
|             | IMFRegList                  | { MonitorProcesses, User, PidFiles, MonitorProgram } |
|             | Modified attributes         |                                                      |

**Table D-2** Changes to attributes from VCS 5.1 to VCS 5.1 SP1 (*continued*)

| Agent               | New and modified attributes              | Default value                                                                                                                            |
|---------------------|------------------------------------------|------------------------------------------------------------------------------------------------------------------------------------------|
|                     | User<br>(change in default value)        | "root"                                                                                                                                   |
|                     | ArgList<br>(new attribute added to list) | { User, StartProgram, StopProgram, CleanProgram, MonitorProgram, PidFiles, MonitorProcesses, EnvFile, UseSUDash }                        |
| Disk<br>(new agent) |                                          |                                                                                                                                          |
|                     | New attributes                           |                                                                                                                                          |
|                     | Partition                                | ""                                                                                                                                       |
|                     | ArgList                                  | { Partition }                                                                                                                            |
|                     | OfflineMonitorInterval                   | 60                                                                                                                                       |
|                     | Operations                               | "None"                                                                                                                                   |
| DiskGroup           |                                          |                                                                                                                                          |
|                     | New attribute                            |                                                                                                                                          |
|                     | Reservation                              | "ClusterDefault"                                                                                                                         |
|                     | Modified attribute                       |                                                                                                                                          |
|                     | ArgList<br>(new attribute added to list) | { DiskGroup, StartVolumes, StopVolumes, MonitorOnly, MonitorReservation, tempUseFence, PanicSystemOnDGLoss, UmountVolumes, Reservation } |
| IP                  |                                          |                                                                                                                                          |
|                     | New attribute                            |                                                                                                                                          |
|                     | ExclusiveIPZone                          | 0                                                                                                                                        |
|                     | Modified attribute                       |                                                                                                                                          |

**Table D-2** Changes to attributes from VCS 5.1 to VCS 5.1 SP1 (*continued*)

| Agent       | New and modified attributes              | Default value                                                                                                                     |
|-------------|------------------------------------------|-----------------------------------------------------------------------------------------------------------------------------------|
|             | ArgList<br>(new attribute added to list) | { Device, Address, NetMask, Options, ArpDelay, IfconfigTwice, RouteOptions, PrefixLen, ExclusiveIPZone }                          |
| IPMultiNICB |                                          |                                                                                                                                   |
|             | New attribute                            |                                                                                                                                   |
|             | Options                                  | ""                                                                                                                                |
|             | Modified attribute                       |                                                                                                                                   |
|             | ArgList<br>(new attribute added to list) | { BaseResName, Address, NetMask, DeviceChoice, RouteOptions, PrefixLen, IgnoreMultiNICBFailure, "BaseResName:Protocol", Options } |
| Mount       |                                          |                                                                                                                                   |
|             | New attribute                            |                                                                                                                                   |
|             | IMFRegList                               | { MountPoint, BlockDevice, FSType }                                                                                               |
| MultiNICA   |                                          |                                                                                                                                   |
|             | Modified attribute                       |                                                                                                                                   |
|             | Protocol<br>(change in default value)    | "IPv4"                                                                                                                            |
| MultiNICB   |                                          |                                                                                                                                   |
|             | Modified attribute                       |                                                                                                                                   |
|             | Protocol<br>(change in default value)    | "IPv4"                                                                                                                            |
| NetBios     |                                          |                                                                                                                                   |
|             | New attribute                            |                                                                                                                                   |
|             | PidFile                                  | ""                                                                                                                                |
|             | Modified attribute                       |                                                                                                                                   |

**Table D-2** Changes to attributes from VCS 5.1 to VCS 5.1 SP1 (*continued*)

| Agent      | New and modified attributes              | Default value                                                                                                                                                                                                                  |
|------------|------------------------------------------|--------------------------------------------------------------------------------------------------------------------------------------------------------------------------------------------------------------------------------|
|            | ArgList<br>(new attribute added to list) | { "SambaServerRes:ConfFile",<br>"SambaServerRes:SambaTopDir",<br>"SambaServerRes:LockDir",<br>NetBiosName, NetBiosAliases,<br>Interfaces, WinsSupport, DomainMaster,<br>"SambaServerRes:PidFile",<br>SambaServerRes, PidFile } |
| NFS        |                                          |                                                                                                                                                                                                                                |
|            | New attribute                            |                                                                                                                                                                                                                                |
|            | CleanRmtab                               | 0                                                                                                                                                                                                                              |
|            | Modified attribute                       |                                                                                                                                                                                                                                |
|            | ArgList<br>(new attribute added to list) | { UseSMF, Nservers, LockFileTimeout,<br>CleanRmtab }                                                                                                                                                                           |
| NFSRestart |                                          |                                                                                                                                                                                                                                |
|            | New attribute                            |                                                                                                                                                                                                                                |
|            | Lower                                    | 0                                                                                                                                                                                                                              |
|            | Modified attribute                       |                                                                                                                                                                                                                                |
|            | ArgList<br>(new attribute added to list) | { LocksPathName, NFSLockFailover,<br>LockServers, NFSRes,<br>"NFSRes:Nservers",<br>"NFSRes:LockFileTimeout",<br>"NFSRes:UseSMF", Lower, State }                                                                                |
| NIC        |                                          |                                                                                                                                                                                                                                |
|            | New attributes                           |                                                                                                                                                                                                                                |
|            | ExclusiveIPZone                          | 0                                                                                                                                                                                                                              |
|            | ContainerOpts                            | { RunInContainer=0, PassCInfo=1 }                                                                                                                                                                                              |
|            | Modified attributes                      |                                                                                                                                                                                                                                |
|            | Protocol                                 | "IPv4"                                                                                                                                                                                                                         |

**Table D-2** Changes to attributes from VCS 5.1 to VCS 5.1 SP1 (*continued*)

| Agent        | New and modified attributes                                                                                 | Default value                                                                                                                                                                                                               |
|--------------|-------------------------------------------------------------------------------------------------------------|-----------------------------------------------------------------------------------------------------------------------------------------------------------------------------------------------------------------------------|
|              | ArgList<br>(new attribute added to list)                                                                    | { Device, PingOptimize, NetworkHosts, Protocol, NetworkType, ExclusiveIPZone }                                                                                                                                              |
| NotifierMngr |                                                                                                             |                                                                                                                                                                                                                             |
|              | New attribute                                                                                               |                                                                                                                                                                                                                             |
|              | NotifierSourceIP                                                                                            | ""                                                                                                                                                                                                                          |
|              | Modified attribute                                                                                          |                                                                                                                                                                                                                             |
|              | ArgList<br>(new attribute added to list)                                                                    | { EngineListeningPort, MessagesQueue, NotifierListeningPort, NotifierSourceIP, SnmpdTrapPort, SnmpCommunity, SnmpConsoles, SntpServer, SntpServerVrfyOff, SntpServerTimeout, SntpReturnPath, SntpFromPath, SntpRecipients } |
| RemoteGroup  |                                                                                                             |                                                                                                                                                                                                                             |
|              | New attributes                                                                                              |                                                                                                                                                                                                                             |
|              | ReturnIntOffline                                                                                            | { }                                                                                                                                                                                                                         |
|              | OfflineMonitoringNode                                                                                       | ""                                                                                                                                                                                                                          |
|              | Modified attributes                                                                                         |                                                                                                                                                                                                                             |
|              | IntentionalOffline<br>(change in default value,RemoteGroup agent now supports intentional offline feature.) | 1                                                                                                                                                                                                                           |
|              | ArgList<br>(new attribute added to list)                                                                    | { IPAddress, Port, Username, Password, GroupName, VCSSysName, ControlMode, OfflineWaitTime, DomainType, BrokerIp, ReturnIntOffline }                                                                                        |
| RVGPrimary   |                                                                                                             |                                                                                                                                                                                                                             |
|              | New attributes                                                                                              |                                                                                                                                                                                                                             |

**Table D-2** Changes to attributes from VCS 5.1 to VCS 5.1 SP1 (*continued*)

| Agent       | New and modified attributes                       | Default value                                                                                                                                                                                                    |
|-------------|---------------------------------------------------|------------------------------------------------------------------------------------------------------------------------------------------------------------------------------------------------------------------|
|             | BunkerSyncTimeOut                                 | ""                                                                                                                                                                                                               |
|             | BunkerSyncElapsedTime                             | 0                                                                                                                                                                                                                |
|             | Modified attributes                               |                                                                                                                                                                                                                  |
|             | ArgList<br>(new attribute added to list)          | { RvgResourceName, AutoTakeover, AutoResync, BunkerSyncTimeOut, BunkerSyncElapsedTime }                                                                                                                          |
|             | SupportedActions<br>(new action added to keylist) | { fbsync, ElectPrimary }                                                                                                                                                                                         |
| RVGSnapshot |                                                   |                                                                                                                                                                                                                  |
|             | New attribute                                     |                                                                                                                                                                                                                  |
|             | VCSResLock                                        | ""                                                                                                                                                                                                               |
| SambaServer |                                                   |                                                                                                                                                                                                                  |
|             | New attributes                                    |                                                                                                                                                                                                                  |
|             | PidFile                                           | ""                                                                                                                                                                                                               |
|             | SocketAddress                                     | ""                                                                                                                                                                                                               |
|             | Modified attribute                                |                                                                                                                                                                                                                  |
|             | ArgList<br>(new attribute added to list)          | { ConfFile, SambaTopDir, LockDir, Ports, IndepthMonitorCyclePeriod, ResponseTimeout, PidFile, SocketAddress }                                                                                                    |
| SambaShare  |                                                   |                                                                                                                                                                                                                  |
|             | Modified attribute                                |                                                                                                                                                                                                                  |
|             | ArgList<br>(dependent attributes added to list)   | { "SambaServerRes:ConfFile", "SambaServerRes:SambaTopDir", "SambaServerRes:LockDir", ShareName, ShareOptions, "SambaServerRes:Ports", SambaServerRes, "SambaServerRes:PidFile", "SambaServerRes:SocketAddress" } |

**Table D-2** Changes to attributes from VCS 5.1 to VCS 5.1 SP1 (*continued*)

| Agent                    | New and modified attributes                     | Default value                                                                  |
|--------------------------|-------------------------------------------------|--------------------------------------------------------------------------------|
| VolumeSet<br>(new agent) |                                                 |                                                                                |
|                          | New attributes                                  |                                                                                |
|                          | DiskGroup                                       | ""                                                                             |
|                          | VolumeSet                                       | ""                                                                             |
|                          | ArgList                                         | { DiskGroup, VolumeSet }                                                       |
| Zone                     |                                                 |                                                                                |
|                          | New attributes                                  |                                                                                |
|                          | RunFsck                                         | 0                                                                              |
|                          | DetachZonePath                                  | 1                                                                              |
|                          | ForceAttach                                     | 1                                                                              |
|                          | Modified attribute                              |                                                                                |
|                          | BootState<br>(change in default value)          | "multi-user"                                                                   |
|                          | ArgList<br>(dependent attributes added to list) | { Pool, BootState, ShutdownGracePeriod, RunFsck, DetachZonePath, ForceAttach } |

**Table D-3** Changes to attributes from VCS 5.0 MP3 to VCS 5.1

| Agent  | New and modified attributes          | Default value |
|--------|--------------------------------------|---------------|
| Apache |                                      |               |
|        | Modified attribute                   |               |
|        | ContainerName<br>(deleted attribute) |               |
|        | ContainerType<br>(deleted attribute) |               |

**Table D-3** Changes to attributes from VCS 5.0 MP3 to VCS 5.1 (*continued*)

| Agent       | New and modified attributes          | Default value                 |
|-------------|--------------------------------------|-------------------------------|
|             | New attribute                        |                               |
|             | ContainerOpts                        | RunInContainer=1, PassCInfo=0 |
| Application |                                      |                               |
|             | Modified attribute                   |                               |
|             | ContainerName<br>(deleted attribute) |                               |
|             | ContainerType<br>(deleted attribute) |                               |
|             | New attribute                        |                               |
|             | ContainerOpts                        | RunInContainer=1, PassCInfo=0 |
| DNS         |                                      |                               |
|             | Modified attributes                  |                               |
|             | Alias<br>(deleted attribute)         |                               |
|             | Hostname<br>(deleted attribute)      |                               |
| DiskGroup   |                                      |                               |
|             | Modified attributes                  |                               |
|             | StartVolumes                         | 1                             |
|             | StopVolumes                          | 1                             |
|             | PanicSystemOnDGLoss                  | 0                             |
| IP          |                                      |                               |
|             | New attributes                       |                               |
|             | RouteOptions                         |                               |
|             | PrefixLen                            |                               |
|             | ContainerOpts                        | RunInContainer=0, PassCInfo=1 |

**Table D-3** Changes to attributes from VCS 5.0 MP3 to VCS 5.1 (*continued*)

| Agent       | New and modified attributes          | Default value                 |
|-------------|--------------------------------------|-------------------------------|
|             | Modified attribute                   |                               |
|             | ContainerName<br>(deleted attribute) |                               |
| IPMultiNIC  |                                      |                               |
|             | New attributes                       |                               |
|             | PrefixLen                            |                               |
|             | ContainerOpts                        | RunInContainer=0, PassCInfo=1 |
|             | Modified attribute                   |                               |
|             | ContainerName<br>(deleted attribute) |                               |
| IPMultiNICB |                                      |                               |
|             | New attributes                       |                               |
|             | OnlineRetryLimit                     | 1                             |
|             | ContainerOpts                        | RunInContainer=0, PassCInfo=1 |
|             | IgnoreMultiNICBFailure               | 0                             |
|             | RouteOptions                         |                               |
|             | PrefixLen                            |                               |
|             | Modified attributes                  |                               |
|             | ContainerName<br>(deleted attribute) |                               |
| LDOM        |                                      |                               |
|             | New attributes                       |                               |
|             | MonitorCPU                           | 1                             |
| Mount       |                                      |                               |
|             | New attributes                       |                               |

**Table D-3** Changes to attributes from VCS 5.0 MP3 to VCS 5.1 (*continued*)

| Agent     | New and modified attributes          | Default value                 |
|-----------|--------------------------------------|-------------------------------|
|           | OptCheck                             | 0                             |
|           | CreateMountPt                        | 0                             |
|           | ReuseMntPt                           | 0                             |
|           | MntPtPermission                      |                               |
|           | MntPtOwner                           |                               |
|           | MntPtGroup                           |                               |
|           | AccessPermissionChk                  | 0                             |
|           | RecursiveMnt                         | 0                             |
|           | ContainerOpts                        | RunInContainer=0, PassCInfo=0 |
|           | Modified attributes                  |                               |
|           | ContainerName<br>(deleted attribute) |                               |
|           | ContainerType<br>(deleted attribute) | Zone                          |
| MultiNICA |                                      |                               |
|           | New attributes                       |                               |
|           | Protocol                             |                               |
| MultiNICB |                                      |                               |
|           | Modified attribute                   |                               |
|           | MpathdCommand                        | /usr/lib/inet/in.mpathd       |
|           | New attribute                        |                               |
|           | Protocol                             |                               |
| NFS       |                                      |                               |
|           | New attribute                        |                               |
|           | UseSMF                               | 0                             |

**Table D-3** Changes to attributes from VCS 5.0 MP3 to VCS 5.1 (*continued*)

| Agent         | New and modified attributes          | Default value                 |
|---------------|--------------------------------------|-------------------------------|
| NFSRestart    |                                      |                               |
|               | New attribute                        |                               |
|               | LockServers                          | 20                            |
| NIC           |                                      |                               |
|               | New attribute                        |                               |
|               | Protocol                             |                               |
| Phantom       |                                      |                               |
|               | Modified attribute                   |                               |
|               | Dummy<br>(deleted attribute)         |                               |
| Process       |                                      |                               |
|               | New attribute                        |                               |
|               | ContainerOpts                        | RunInContainer=1, PassCInfo=0 |
|               | Modified attributes                  |                               |
|               | ContainerName<br>(deleted attribute) |                               |
|               | ContainerType<br>(deleted attribute) | Zone                          |
| ProcessOnOnly |                                      |                               |
|               | New attribute                        |                               |
|               | ContainerOpts                        | RunInContainer=0, PassCInfo=1 |
|               | Modified attributes                  |                               |
|               | ContainerName<br>(deleted attribute) |                               |
|               | ContainerType<br>(deleted attribute) | Zone                          |

**Table D-3** Changes to attributes from VCS 5.0 MP3 to VCS 5.1 (*continued*)

| Agent | New and modified attributes     | Default value                 |
|-------|---------------------------------|-------------------------------|
| Share |                                 |                               |
|       | New attribute                   |                               |
|       | NFSRes                          |                               |
| Zone  |                                 |                               |
|       | New attributes                  |                               |
|       | ContainerOpts                   | RunInContainer=1, PassCInfo=0 |
|       | BootState                       |                               |
|       | Pool                            |                               |
|       | Modified attribute              |                               |
|       | ZoneName<br>(deleted attribute) |                               |

**Table D-4** Changes to attributes from VCS 5.0 to VCS 5.0 MP3

| Agent  | New and modified attributes | Default value                          |
|--------|-----------------------------|----------------------------------------|
| Apache |                             |                                        |
|        | New attribute               |                                        |
|        | SupportedActions            | "checkconffile.vfd"                    |
|        | ContainerType               | Zone                                   |
|        | PidFile                     |                                        |
|        | ContainerName               |                                        |
|        | IntentionalOffline          | 0                                      |
| DNS    |                             |                                        |
|        | New attributes              |                                        |
|        | SupportedActions            | "dig.vfd", "keyfile.vfd", "master.vfd" |
|        | ResRecord                   |                                        |
|        | CreatePTR                   | 0                                      |

**Table D-4** Changes to attributes from VCS 5.0 to VCS 5.0 MP3 (continued)

| Agent      | New and modified attributes | Default value                                                                                                                                           |
|------------|-----------------------------|---------------------------------------------------------------------------------------------------------------------------------------------------------|
|            | OffDeIRR                    | 0                                                                                                                                                       |
| DiskGroup  |                             |                                                                                                                                                         |
|            | New attributes              |                                                                                                                                                         |
|            | SupportedActions            | "license.vfd", "disk.vfd", "udid.vfd",<br>"verifyplex.vfd", "checkudid",<br>"campusplex", "numdisks", "joindg",<br>"splitdg", "getvxvminfo", "volinuse" |
|            | UmountVolumes               | 0                                                                                                                                                       |
| Mount      |                             |                                                                                                                                                         |
|            | New attribute               |                                                                                                                                                         |
|            | VxFSMountLock               | 1                                                                                                                                                       |
|            | Modified attribute          |                                                                                                                                                         |
|            | SupportedActions            | "mountpoint.vfd", "mounted.vfd",<br>"vxfslslic.vfd", "chgmtlock",<br>"mountentry.vfd"                                                                   |
| NFSRestart |                             |                                                                                                                                                         |
|            | New attributes              |                                                                                                                                                         |
|            | SupportedActions            | "lockdir.vfd", "nfsconf.vfd"                                                                                                                            |
| Share      |                             |                                                                                                                                                         |
|            | New attributes              |                                                                                                                                                         |
|            | SupportedActions            | "direxists.vfd"                                                                                                                                         |

**Table D-5** Changes to attributes from VCS 4.1 to VCS 5.0

| Agent       | New and modified attributes | Default value                                 |
|-------------|-----------------------------|-----------------------------------------------|
| Application |                             |                                               |
|             | New attributes              |                                               |
|             | SupportedActions            | program.vfd, user.vfd, cksum.vfd,<br>getcksum |

**Table D-5** Changes to attributes from VCS 4.1 to VCS 5.0 (*continued*)

| Agent       | New and modified attributes | Default value                         |
|-------------|-----------------------------|---------------------------------------|
| DiskGroup   |                             |                                       |
|             | New attributes              |                                       |
|             | SupportedActions            | "license.vfd", "disk.vfd", "numdisks" |
|             | PanicSystemOnDGLoss         | 1                                     |
|             | DiskGroupType               | Private                               |
|             | Modified attributes         |                                       |
|             | tempUseFence                | Invalid                               |
| IP          |                             |                                       |
|             | New attributes              |                                       |
|             | SupportedActions            | "device.vfd", "route.vfd"             |
|             | ContainerName               |                                       |
|             | Modified attribute          |                                       |
|             | IfconfigTwice               |                                       |
| IPMultiNIC  |                             |                                       |
|             | New attributes              |                                       |
|             | ContainerName               |                                       |
|             | Modified attribute          |                                       |
|             | IfconfigTwice               |                                       |
| IPMultiNICB |                             |                                       |
|             | New attributes              |                                       |
|             | ToleranceLimit              | 1                                     |
|             | MonitorInterval             | 30                                    |
|             | ContainerName               |                                       |
|             | Modified attribute          |                                       |
|             | DeviceChoice                | 0                                     |

**Table D-5** Changes to attributes from VCS 4.1 to VCS 5.0 (*continued*)

| Agent      | New and modified attributes | Default value                                 |
|------------|-----------------------------|-----------------------------------------------|
| Mount      |                             |                                               |
|            | New attributes              |                                               |
|            | SupportedActions            | "mountpoint.vfd", "mounted.vfd", "vxfslc.vfd" |
|            | VxFSMountLock               | 1                                             |
|            | ContainerName               |                                               |
|            | ContainerType               | Zone                                          |
|            | Modified attribute          |                                               |
| SnapUmount |                             |                                               |
|            |                             |                                               |
| MultiNICA  |                             |                                               |
|            | Modified attribute          |                                               |
| MultiNICB  | IfconfigTwice               |                                               |
|            |                             |                                               |
|            | New attribute               |                                               |
|            | GrNew attributes<br>oupName |                                               |
|            | Modified attributes         |                                               |
|            | NoBroadcast                 |                                               |
| Failback   |                             |                                               |
|            |                             |                                               |
| NFS        |                             |                                               |
|            | New attributes              |                                               |
|            | LockFileTimeout             | 180                                           |
| NIC        |                             |                                               |
|            | New attributes              |                                               |
|            | SupportedActions            | "device.vfd"                                  |

**Table D-5** Changes to attributes from VCS 4.1 to VCS 5.0 (*continued*)

| Agent   | New and modified attributes | Default value           |
|---------|-----------------------------|-------------------------|
| Process |                             |                         |
|         | New attribute               |                         |
|         | SupportedActions            | "program.vfd", getcksum |

## Manually removing deprecated resource types and modifying attributes

With VCS 6.0, certain resource type definitions are no longer used. Before you start the upgrade process, you must remove the resources of the deprecated resource types from your cluster configuration.

If you use the resource type ServiceGroupHB, Symantec recommends the use of I/O fencing.

VCS 5.1 does not support gabdiskhb. So, the installvcs program removes the gabdiskhb entry from the /etc/gabtab file.

---

**Note:** Make sure you start VCS on the local node before starting on the other nodes. This standard ensures that HAD reads the configuration from the local node and updates it on the remaining nodes.

---

### To remove the deprecated resource types and modify attributes

- 1 Save the VCS configuration and stop the VCS engine.

```
# haconf -dump -makero
# hastop -all -force
```

- 2 Back up the configuration file, main.cf to a location on the cluster node.
- 3 Edit the main.cf located under /etc/VRTSvcs/conf/config.

Perform the following instructions:

- Remove the resource of the deprecated resource types.  
You must modify the resource dependencies to ensure that the configuration works properly.
- Modify attribute values that might have changed.  
See [Table D-3](#) on page 397.

See [Table D-4](#) on page 402.

See [Table D-5](#) on page 403.

- Save the main.cf.
- Reformat the main.cf file.

```
# hacf -cftocmd config
# hacf -cmdtoctf config
```

- 4 Verify the configuration.

```
# cd /etc/VRTSvcs/conf/config
# hacf -verify config
```

- 5 Start VCS on the local node.
- 6 Start VCS on other nodes.

## Creating new VCS accounts if you used native operating system accounts

VCS has deprecated the AllowNativeCliUsers attribute. To use native OS accounts with VCS, use the halogin command. After you run the halogin command, VCS encrypts and stores your VCS credentials in your home directory for a specific time period. After you run the halogin command, you need not authenticate yourself every time you run a VCS command. In secure clusters, the command also sets up a trust relationship and retrieves a certificate from an authentication broker.

See the *Veritas Cluster Server Administrator's Guide* for information on assigning user privileges to OS user groups for clusters running in secure mode and clusters not running in secure mode.

Perform the following procedure if you used the AllowNativeCliUsers attribute. Ensure that each native user running VCS commands has a home directory on the system from which the user runs VCS commands.

### To set up VCS authentication for clusters running in secure mode

- 1 Set the configuration (main.cf) mode to read/write.

```
# haconf -makerw
```

- 2 Assign proper privileges to the OS users or user groups. Each operating system user must perform steps 3 and 4.

- 3 If the user executes VCS commands from a remote host, set the following environment variables:
  - VCS\_HOST: Name of the VCS node on which you run commands. You may specify the virtual IP address associated with the cluster.
  - VCS\_DOMAIN: Name of the VxSS domain to which the user belongs.
  - VCS\_DOMAINTYPE: Type of VxSS domain: unixpwd, ldap, nt, nis, nisplus, or vx.

- 4 Run the halogin command:

```
$ halogin vcsusername password
```

#### To set up VCS authentication for clusters not running in secure mode

- 1 Set the configuration (main.cf) mode to read/write.

```
# haconf -makerw
```

- 2 Create VCS user accounts for all users and assign privileges to these users.
- 3 Each VCS user must run the halogin command:

```
$ halogin vcsusername  
password
```

# Configuration files

This appendix includes the following topics:

- [About the LLT and GAB configuration files](#)
- [About the AMF configuration files](#)
- [About the VCS configuration files](#)
- [About I/O fencing configuration files](#)
- [Sample configuration files for CP server](#)

## About the LLT and GAB configuration files

Low Latency Transport (LLT) and Group Membership and Atomic Broadcast (GAB) are VCS communication services. LLT requires `/etc/llthosts` and `/etc/llttab` files. GAB requires `/etc/gabtab` file.

[Table E-1](#) lists the LLT configuration files and the information that these files contain.

**Table E-1**      LLT configuration files

| File                          | Description                                                                                                                                                                                                                                                                                                                                                                                                                                                                                                                                                                                                                                                                                                                                                                                                                                                                                   |
|-------------------------------|-----------------------------------------------------------------------------------------------------------------------------------------------------------------------------------------------------------------------------------------------------------------------------------------------------------------------------------------------------------------------------------------------------------------------------------------------------------------------------------------------------------------------------------------------------------------------------------------------------------------------------------------------------------------------------------------------------------------------------------------------------------------------------------------------------------------------------------------------------------------------------------------------|
| <code>/etc/default/llt</code> | <p>This file stores the start and stop environment variables for LLT:</p> <ul style="list-style-type: none"> <li>■ <b>LLT_START</b>—Defines the startup behavior for the LLT module after a system reboot. Valid values include: <ul style="list-style-type: none"> <li>1—Indicates that LLT is enabled to start up.</li> <li>0—Indicates that LLT is disabled to start up.</li> </ul> </li> <li>■ <b>LLT_STOP</b>—Defines the shutdown behavior for the LLT module during a system shutdown. Valid values include: <ul style="list-style-type: none"> <li>1—Indicates that LLT is enabled to shut down.</li> <li>0—Indicates that LLT is disabled to shut down.</li> </ul> </li> </ul> <p>The installer sets the value of these variables to 1 at the end of VCS configuration.</p> <p>If you manually configured VCS, make sure you set the values of these environment variables to 1.</p> |
| <code>/etc/llthosts</code>    | <p>The file <code>llthosts</code> is a database that contains one entry per system. This file links the LLT system ID (in the first column) with the LLT host name. This file must be identical on each node in the cluster. A mismatch of the contents of the file can cause indeterminate behavior in the cluster.</p> <p>For example, the file <code>/etc/llthosts</code> contains the entries that resemble:</p> <pre style="margin-left: 40px;"> 0      galaxy 1      nebula </pre>                                                                                                                                                                                                                                                                                                                                                                                                      |

**Table E-1**      LLT configuration files (*continued*)

| File        | Description                                                                                                                                                                                                                                                                                                                                                                                                                                                                                                                                                                                                                                                                                                                                                                                                                                                                                                                                                                                                                                                                                                                                                                                                                                                                                                  |
|-------------|--------------------------------------------------------------------------------------------------------------------------------------------------------------------------------------------------------------------------------------------------------------------------------------------------------------------------------------------------------------------------------------------------------------------------------------------------------------------------------------------------------------------------------------------------------------------------------------------------------------------------------------------------------------------------------------------------------------------------------------------------------------------------------------------------------------------------------------------------------------------------------------------------------------------------------------------------------------------------------------------------------------------------------------------------------------------------------------------------------------------------------------------------------------------------------------------------------------------------------------------------------------------------------------------------------------|
| /etc/llttab | <p>The file <code>llttab</code> contains the information that is derived during installation and used by the utility <code>lltconfig(1M)</code>. After installation, this file lists the private network links that correspond to the specific system. For example, the file <code>/etc/llttab</code> contains the entries that resemble the following:</p> <ul style="list-style-type: none"> <li>■ For Solaris SPARC: <pre> set-node galaxy set-cluster 2 link qfe0 /dev/qfe:0 - ether - - link qfel /dev/qfe:1 - ether - - </pre> </li> <li>■ For Solaris x64: <pre> set-node galaxy set-cluster 2 link e1000g1 /dev/e1000g:1 - ether - - link e1000g2 /dev/e1000g:2 - ether - - </pre> </li> </ul> <p>The first line identifies the system. The second line identifies the cluster (that is, the cluster ID you entered during installation). The next two lines begin with the <code>link</code> command. These lines identify the two network cards that the LLT protocol uses.</p> <p>If you configured a low priority link under LLT, the file also includes a "link-lowpri" line.</p> <p>Refer to the <code>llttab(4)</code> manual page for details about how the LLT configuration may be modified. The manual page describes the ordering of the directives in the <code>llttab</code> file.</p> |

[Table E-2](#) lists the GAB configuration files and the information that these files contain.

**Table E-2** GAB configuration files

| File             | Description                                                                                                                                                                                                                                                                                                                                                                                                                                                                                                                                                                                                                                                                                                                                                                                                                                                                     |
|------------------|---------------------------------------------------------------------------------------------------------------------------------------------------------------------------------------------------------------------------------------------------------------------------------------------------------------------------------------------------------------------------------------------------------------------------------------------------------------------------------------------------------------------------------------------------------------------------------------------------------------------------------------------------------------------------------------------------------------------------------------------------------------------------------------------------------------------------------------------------------------------------------|
| /etc/default/gab | <p>This file stores the start and stop environment variables for GAB:</p> <ul style="list-style-type: none"> <li>■ GAB_START—Defines the startup behavior for the GAB module after a system reboot. Valid values include: <ul style="list-style-type: none"> <li>1—Indicates that GAB is enabled to start up.</li> <li>0—Indicates that GAB is disabled to start up.</li> </ul> </li> <li>■ GAB_STOP—Defines the shutdown behavior for the GAB module during a system shutdown. Valid values include: <ul style="list-style-type: none"> <li>1—Indicates that GAB is enabled to shut down.</li> <li>0—Indicates that GAB is disabled to shut down.</li> </ul> </li> </ul> <p>The installer sets the value of these variables to 1 at the end of VCS configuration.</p> <p>If you manually configured VCS, make sure you set the values of these environment variables to 1.</p> |
| /etc/gabtab      | <p>After you install VCS, the file /etc/gabtab contains a <code>gabconfig(1)</code> command that configures the GAB driver for use.</p> <p>The file /etc/gabtab contains a line that resembles:</p> <pre style="margin-left: 40px;">/sbin/gabconfig -c -nN</pre> <p>The <code>-c</code> option configures the driver for use. The <code>-nN</code> specifies that the cluster is not formed until at least <i>N</i> nodes are ready to form the cluster. Symantec recommends that you set <i>N</i> to be the total number of nodes in the cluster.</p> <p><b>Note:</b> Symantec does not recommend the use of the <code>-c -x</code> option for <code>/sbin/gabconfig</code>. Using <code>-c -x</code> can lead to a split-brain condition.</p>                                                                                                                                 |

## About the AMF configuration files

Asynchronous Monitoring Framework (AMF) kernel driver provides asynchronous event notifications to the VCS agents that are enabled for intelligent resource monitoring.

Table E-3 lists the AMF configuration files.

**Table E-3** AMF configuration files

| File                          | Description                                                                                                                                                                                                                                                                                                                                                                                                                                                                                                                                                                                                                                                                                                                                                                                                                |
|-------------------------------|----------------------------------------------------------------------------------------------------------------------------------------------------------------------------------------------------------------------------------------------------------------------------------------------------------------------------------------------------------------------------------------------------------------------------------------------------------------------------------------------------------------------------------------------------------------------------------------------------------------------------------------------------------------------------------------------------------------------------------------------------------------------------------------------------------------------------|
| <code>/etc/default/amf</code> | <p>This file stores the start and stop environment variables for AMF:</p> <ul style="list-style-type: none"> <li>■ <b>AMF_START</b>—Defines the startup behavior for the AMF module after a system reboot or when AMF is attempted to start using the init script. Valid values include: <ul style="list-style-type: none"> <li>1—Indicates that AMF is enabled to start up. (default)</li> <li>0—Indicates that AMF is disabled to start up.</li> </ul> </li> <li>■ <b>AMF_STOP</b>—Defines the shutdown behavior for the AMF module during a system shutdown or when AMF is attempted to stop using the init script. Valid values include: <ul style="list-style-type: none"> <li>1—Indicates that AMF is enabled to shut down. (default)</li> <li>0—Indicates that AMF is disabled to shut down.</li> </ul> </li> </ul> |
| <code>/etc/amftab</code>      | <p>After you install VCS, the file <code>/etc/amftab</code> contains a <code>amfconfig(1)</code> command that configures the AMF driver for use.</p> <p>The AMF init script uses this <code>/etc/amftab</code> file to configure the AMF driver. The <code>/etc/amftab</code> file contains the following line by default:</p> <pre style="margin-left: 2em;"><code>/opt/VRTSamf/bin/amfconfig -c</code></pre>                                                                                                                                                                                                                                                                                                                                                                                                             |

## About the VCS configuration files

VCS configuration files include the following:

- `main.cf`

The installer creates the VCS configuration file in the `/etc/VRTSvcs/conf/config` folder by default during the VCS configuration. The `main.cf` file contains the minimum information that defines the cluster and its nodes.

See [“Sample main.cf file for VCS clusters”](#) on page 415.

See [“Sample main.cf file for global clusters”](#) on page 416.
- `types.cf`

The file `types.cf`, which is listed in the include statement in the `main.cf` file, defines the VCS bundled types for VCS resources. The file `types.cf` is also located in the folder `/etc/VRTSvcs/conf/config`.

Additional files similar to `types.cf` may be present if agents have been added, such as `OracleTypes.cf`.
- `/etc/default/vcs`

This file stores the start and stop environment variables for VCS engine:

- **VCS\_START**—Defines the startup behavior for VCS engine after a system reboot. Valid values include:
  - 1—Indicates that VCS engine is enabled to start up.
  - 0—Indicates that VCS engine is disabled to start up.
- **VCS\_STOP**—Defines the shutdown behavior for VCS engine during a system shutdown. Valid values include:
  - 1—Indicates that VCS engine is enabled to shut down.
  - 0—Indicates that VCS engine is disabled to shut down.

The installer sets the value of these variables to 1 at the end of VCS configuration.

If you manually configured VCS, make sure you set the values of these environment variables to 1.

Note the following information about the VCS configuration file after installing and configuring VCS:

- The cluster definition includes the cluster information that you provided during the configuration. This definition includes the cluster name, cluster address, and the names of users and administrators of the cluster.  
 Notice that the cluster has an attribute `UserNames`. The `installvcs` program creates a user "admin" whose password is encrypted; the word "password" is the default password.
- If you set up the optional I/O fencing feature for VCS, then the `UseFence = SCSI3` attribute is present.
- If you configured the cluster in secure mode, the `main.cf` includes "SecureClus = 1" cluster attribute.
- The `installvcs` program creates the `ClusterService` service group if you configured the virtual IP, SMTP, SNMP, or global cluster options.

The service group also has the following characteristics:

- The group includes the IP and NIC resources.
- The service group also includes the notifier resource configuration, which is based on your input to `installvcs` program prompts about notification.
- The `installvcs` program also creates a resource dependency tree.
- If you set up global clusters, the `ClusterService` service group contains an Application resource, `wac` (wide-area connector). This resource's attributes contain definitions for controlling the cluster in a global cluster environment. Refer to the *Veritas Cluster Server Administrator's Guide* for information about managing VCS global clusters.

Refer to the *Veritas Cluster Server Administrator's Guide* to review the configuration concepts, and descriptions of `main.cf` and `types.cf` files for Solaris systems.

## Sample `main.cf` file for VCS clusters

The following sample `main.cf` file is for a three-node cluster in secure mode.

```
include "types.cf"
include "OracleTypes.cf"
include "OracleASMTTypes.cf"
include "Db2udbTypes.cf"
include "SybaseTypes.cf"

cluster vcs02 (
    SecureClus = 1
)

system sysA (
)

system sysB (
)

system sysC (
)

group ClusterService (
    SystemList = { sysA = 0, sysB = 1, sysC = 2 }
    AutoStartList = { sysA, sysB, sysC }
    OnlineRetryLimit = 3
    OnlineRetryInterval = 120
)

NIC csgnic (
    Device = hme0
    NetworkHosts = { "10.182.13.1" }
)

NotifierMngr ntfr (
    SnmpConsoles = { jupiter" = SevereError }
    SntpServer = "smtp.example.com"
    SntpRecipients = { "ozzie@example.com" = SevereError }
```

```
)

ntfr requires csgnic

// resource dependency tree
//
//   group ClusterService
//   {
//     NotifierMngr ntfr
//     {
//       NIC csgnic
//     }
//   }
// }
```

## Sample main.cf file for global clusters

If you installed VCS with the Global Cluster option, note that the ClusterService group also contains the Application resource, wac. The wac resource is required to control the cluster in a global cluster environment.

In the following main.cf file example, bold text highlights global cluster specific entries.

```
include "types.cf"

cluster vcs03 (
    ClusterAddress = "10.182.13.50"
    SecureClus = 1
)

system sysA (
)

system sysB (
)

system sysC (
)

group ClusterService (
    SystemList = { sysA = 0, sysB = 1, sysC = 2 }
    AutoStartList = { sysA, sysB, sysC }
    OnlineRetryLimit = 3
)
```

```
OnlineRetryInterval = 120
)

Application wac (
    StartProgram = "/opt/VRTSvcs/bin/wacstart"
    StopProgram = "/opt/VRTSvcs/bin/wacstop"
    MonitorProcesses = { "/opt/VRTSvcs/bin/wac" }
    RestartLimit = 3
)

IP gcoip (
    Device = hme0
    Address = "10.182.13.50"
    NetMask = "255.255.240.0"
)

NIC csgnic (
    Device = hme0
    NetworkHosts = { "10.182.13.1" }
)

NotifierMngr ntfr (
    SnmpConsoles = { jupiter = SevereError }
    SntpServer = "smtp.example.com"
    SntpRecipients = { "ozzie@example.com" = SevereError }
)

gcoip requires csgnic
ntfr requires csgnic
wac requires gcoip

// resource dependency tree
//
//   group ClusterService
//   {
//     NotifierMngr ntfr
//     {
//       NIC csgnic
//     }
//     Application wac
//     {
//       IP gcoip
```

```
//      {
//      NIC csgnic
//      }
//    }
//  }
```

## About I/O fencing configuration files

Table E-4 lists the I/O fencing configuration files.

**Table E-4** I/O fencing configuration files

| File               | Description                                                                                                                                                                                                                                                                                                                                                                                                                                                                                                                                                                                                                                                                                                                                                                                                                                                                                                                                                                     |
|--------------------|---------------------------------------------------------------------------------------------------------------------------------------------------------------------------------------------------------------------------------------------------------------------------------------------------------------------------------------------------------------------------------------------------------------------------------------------------------------------------------------------------------------------------------------------------------------------------------------------------------------------------------------------------------------------------------------------------------------------------------------------------------------------------------------------------------------------------------------------------------------------------------------------------------------------------------------------------------------------------------|
| /etc/default/vxfen | <p>This file stores the start and stop environment variables for I/O fencing:</p> <ul style="list-style-type: none"> <li>■ VXFEN_START—Defines the startup behavior for the I/O fencing module after a system reboot. Valid values include:               <ul style="list-style-type: none"> <li>1—Indicates that I/O fencing is enabled to start up.</li> <li>0—Indicates that I/O fencing is disabled to start up.</li> </ul> </li> <li>■ VXFEN_STOP—Defines the shutdown behavior for the I/O fencing module during a system shutdown. Valid values include:               <ul style="list-style-type: none"> <li>1—Indicates that I/O fencing is enabled to shut down.</li> <li>0—Indicates that I/O fencing is disabled to shut down.</li> </ul> </li> </ul> <p>The installer sets the value of these variables to 1 at the end of VCS configuration.</p> <p>If you manually configured VCS, you must make sure to set the values of these environment variables to 1.</p> |
| /etc/vxfendg       | <p>This file includes the coordinator disk group information.</p> <p>This file is not applicable for server-based fencing.</p>                                                                                                                                                                                                                                                                                                                                                                                                                                                                                                                                                                                                                                                                                                                                                                                                                                                  |

**Table E-4** I/O fencing configuration files (*continued*)

| File           | Description                                                                                                                                                                                                                                                                                                                                                                                                                                                                                                                                                                                                                                                                                                                                                                                                                                                                                                                                                                                                                                                                                                                                                                                                                                                                                                                                                                                                                                                                                                                                                                                                                                                                                                                                                                                                                                                                                                                                                                                                                                                                                                                                                                                                                                                                                                                                                                      |
|----------------|----------------------------------------------------------------------------------------------------------------------------------------------------------------------------------------------------------------------------------------------------------------------------------------------------------------------------------------------------------------------------------------------------------------------------------------------------------------------------------------------------------------------------------------------------------------------------------------------------------------------------------------------------------------------------------------------------------------------------------------------------------------------------------------------------------------------------------------------------------------------------------------------------------------------------------------------------------------------------------------------------------------------------------------------------------------------------------------------------------------------------------------------------------------------------------------------------------------------------------------------------------------------------------------------------------------------------------------------------------------------------------------------------------------------------------------------------------------------------------------------------------------------------------------------------------------------------------------------------------------------------------------------------------------------------------------------------------------------------------------------------------------------------------------------------------------------------------------------------------------------------------------------------------------------------------------------------------------------------------------------------------------------------------------------------------------------------------------------------------------------------------------------------------------------------------------------------------------------------------------------------------------------------------------------------------------------------------------------------------------------------------|
| /etc/vxfenmode | <p>This file contains the following parameters:</p> <ul style="list-style-type: none"> <li>■ vxfen_mode <ul style="list-style-type: none"> <li>■ scsi3—For disk-based fencing</li> <li>■ customized—For server-based fencing</li> <li>■ disabled—To run the I/O fencing driver but not do any fencing operations.</li> </ul> </li> <li>■ vxfen_mechanism <p>This parameter is applicable only for server-based fencing. Set the value as cps.</p> </li> <li>■ scsi3_disk_policy <ul style="list-style-type: none"> <li>■ dmp—Configure the vxfen module to use DMP devices<br/>The disk policy is dmp by default. If you use iSCSI devices, you must set the disk policy as dmp.</li> <li>■ raw—Configure the vxfen module to use the underlying raw character devices</li> </ul> <p><b>Note:</b> You must use the same SCSI-3 disk policy on all the nodes.</p> </li> <li>■ security <p>This parameter is applicable only for server-based fencing.</p> <p>1—Indicates that communication with the CP server is in secure mode. This setting is the default.</p> <p>0—Indicates that communication with the CP server is in non-secure mode.</p> </li> <li>■ List of coordination points <p>This list is required only for server-based fencing configuration.</p> <p>Coordination points in a server-based fencing can include coordinator disks, CP servers, or a mix of both. If you use coordinator disks, you must create a coordinator disk group with the coordinator disk names.</p> <p>Refer to the sample file /etc/vxfen.d/vxfenmode_cps for more information on how to specify the coordination points and multiple IP addresses for each CP server.</p> </li> <li>■ single_cp <p>This parameter is applicable for server-based fencing which uses a single highly available CP server as its coordination point. Also applicable for when you use a coordinator disk group with single disk.</p> </li> <li>■ autoseed_gab_timeout <p>This parameter enables GAB automatic seeding of the cluster even when some cluster nodes are unavailable. This feature requires that I/O fencing is enabled.</p> <p>0—Turns the GAB auto-seed feature on. Any value greater than 0 indicates the number of seconds that GAB must delay before it automatically seeds the cluster.</p> <p>-1—Turns the GAB auto-seed feature off. This setting is the default.</p> </li> </ul> |

**Table E-4** I/O fencing configuration files (*continued*)

| File                       | Description                                                                                                                                                                                                                                                                                                                                                                                                                                                                                                                                                                                                                                                                                                                                                                                                                                                                                                                                                                                                                                                                                                                                                                                                                                                                                                                                           |
|----------------------------|-------------------------------------------------------------------------------------------------------------------------------------------------------------------------------------------------------------------------------------------------------------------------------------------------------------------------------------------------------------------------------------------------------------------------------------------------------------------------------------------------------------------------------------------------------------------------------------------------------------------------------------------------------------------------------------------------------------------------------------------------------------------------------------------------------------------------------------------------------------------------------------------------------------------------------------------------------------------------------------------------------------------------------------------------------------------------------------------------------------------------------------------------------------------------------------------------------------------------------------------------------------------------------------------------------------------------------------------------------|
| <code>/etc/vxfentab</code> | <p>When I/O fencing starts, the vxfen startup script creates this <code>/etc/vxfentab</code> file on each node. The startup script uses the contents of the <code>/etc/vxfendg</code> and <code>/etc/vxfenmode</code> files. Any time a system is rebooted, the fencing driver reinitializes the vxfentab file with the current list of all the coordinator points.</p> <p><b>Note:</b> The <code>/etc/vxfentab</code> file is a generated file; do not modify this file.</p> <p>For disk-based I/O fencing, the <code>/etc/vxfentab</code> file on each node contains a list of all paths to each coordinator disk. An example of the <code>/etc/vxfentab</code> file in a disk-based fencing configuration on one node resembles as follows:</p> <ul style="list-style-type: none"> <li>■ Raw disk:           <pre style="margin-left: 20px;">/dev/rdisk/c1t1d0s2 /dev/rdisk/c2t1d0s2 /dev/rdisk/c3t1d2s2</pre> </li> <li>■ DMP disk:           <pre style="margin-left: 20px;">/dev/vx/rdmp/c1t1d0s2 /dev/vx/rdmp/c2t1d0s2 /dev/vx/rdmp/c3t1d0s2</pre> </li> </ul> <p>For server-based fencing, the <code>/etc/vxfentab</code> file also includes the security settings information.</p> <p>For server-based fencing with single CP server, the <code>/etc/vxfentab</code> file also includes the <code>single_cp</code> settings information.</p> |

## Sample configuration files for CP server

The `/etc/vxcps.conf` file determines the configuration of the coordination point server (CP server.)

See [“Sample CP server configuration \(/etc/vxcps.conf\) file output”](#) on page 426.

The following are example `main.cf` files for a CP server that is hosted on a single node, and a CP server that is hosted on an SFHA cluster.

- The `main.cf` file for a CP server that is hosted on a single node:  
 See [“Sample main.cf file for CP server hosted on a single node that runs VCS”](#) on page 421.
- The `main.cf` file for a CP server that is hosted on an SFHA cluster:  
 See [“Sample main.cf file for CP server hosted on a two-node SFHA cluster”](#) on page 423.

---

**Note:** The CP server supports Internet Protocol version 4 or version 6 (IPv4 or IPv6 addresses) when communicating with VCS clusters (application clusters). The example main.cf files use IPv4 addresses.

---

## Sample main.cf file for CP server hosted on a single node that runs VCS

The following is an example of a single CP server node main.cf.

For this CP server single node main.cf, note the following values:

- Cluster name: cps1
- Node name: mycps1

```
include "types.cf"
include "/opt/VRTScps/bin/Quorum/QuorumTypes.cf"

// cluster name: cps1
// CP server: mycps1

cluster cps1 (
    UserNames = { admin = bMNFmHmJNiNNlVnHMK, haris = fopKojNvpHouNn,
                  "mycps1.symantecexample.com@root@vx" = aj,
                  "root@mycps1.symantecexample.com" = hq }
    Administrators = { admin, haris,
                       "mycps1.symantecexample.com@root@vx",
                       "root@mycps1.symantecexample.com" }
    SecureClus = 1
    HacliUserLevel = COMMANDROOT
)

system mycps1 (
)

group CPSSG (
    SystemList = { mycps1 = 0 }
    AutoStartList = { mycps1 }
)

IP cpsvip1 (
    Critical = 0
    Device @mycps1 = hme0
    Address = "10.209.3.1"
```

```

        NetMask = "255.255.252.0"
    )

IP cpsvip2 (
    Critical = 0
    Device @mycps1 = qfe:0
    Address = "10.209.3.2"
    NetMask = "255.255.252.0"
)

NIC cpsnic1 (
    Critical = 0
    Device @mycps1 = hme0
    PingOptimize = 0
    NetworkHosts @mycps1 = { "10.209.3.10" }
)

NIC cpsnic2 (
    Critical = 0
    Device @mycps1 = qfe:0
    PingOptimize = 0
)

Process vxcperv (
    PathName = "/opt/VRTScps/bin/vxcperv"
    ConfInterval = 30
    RestartLimit = 3
)

Quorum quorum (
    QuorumResources = { cpsvip1, cpsvip2 }
)

cpsvip1 requires cpsnic1
cpsvip2 requires cpsnic2
vxcperv requires quorum

// resource dependency tree
//
// group CPSSG
// {
// IP cpsvip1

```

```
//      {
//      NIC cpsnic1
//      }
// IP cpsvip2
//      {
//      NIC cpsnic2
//      }
// Process vxcpserv
//      {
//      Quorum quorum
//      }
// }
```

## Sample main.cf file for CP server hosted on a two-node SFHA cluster

The following is an example of a main.cf, where the CP server is hosted on an SFHA cluster.

For this CP server hosted on an SFHA cluster main.cf, note the following values:

- Cluster name: cps1
- Nodes in the cluster: mycps1, mycps2

```
include "types.cf"
include "CFSTypes.cf"
include "CVMTypes.cf"
include "/opt/VRTScps/bin/Quorum/QuorumTypes.cf"

// cluster: cps1
// CP servers:
// mycps1
// mycps2

cluster cps1 (
    UserNames = { admin = ajkCjeJgkFkkIskEjh,
                  "mycps1.symantecexample.com@root@vx" = JK,
                  "mycps2.symantecexample.com@root@vx" = dl }
    Administrators = { admin, "mycps1.symantecexample.com@root@vx",
                       "mycps2.symantecexample.com@root@vx" }
    SecureClus = 1
)

system mycps1 (
```

```

    )

system mycps2 (
)

group CPSSG (
    SystemList = { mycps1 = 0, mycps2 = 1 }
    AutoStartList = { mycps1, mycps2 } )

    DiskGroup cpsdg (
        DiskGroup = cps_dg
    )

    IP cpsvip1 (
        Critical = 0
        Device @mycps1 = hme0
        Device @mycps2 = hme0
        Address = "10.209.81.88"
        NetMask = "255.255.252.0"
    )

    IP cpsvip2 (
        Critical = 0
        Device @mycps1 = qfe:0
        Device @mycps2 = qfe:0
        Address = "10.209.81.89"
        NetMask = "255.255.252.0"
    )

    Mount cpsmount (
        MountPoint = "/etc/VRTScps/db"
        BlockDevice = "/dev/vx/dsk/cps_dg/cps_volume"
        FSType = vxfs
        FsckOpt = "-y"
    )

    NIC cpsnic1 (
        Critical = 0
        Device @mycps1 = hme0
        Device @mycps2 = hme0
        PingOptimize = 0
        NetworkHosts @mycps1 = { "10.209.81.10" }
    )

```

```

NIC cpsnic2 (
    Critical = 0
    Device @mycps1 = qfe:0
    Device @mycps2 = qfe:0
    PingOptimize = 0
)

Process vxcpserv (
    PathName = "/opt/VRTScps/bin/vxcpserv"
)

Quorum quorum (
    QuorumResources = { cpsvip1, cpsvip2 }
)

Volume cpsvol (
    Volume = cps_volume
    DiskGroup = cps_dg
)

cpsmount requires cpsvol
cpsvip1 requires cpsnic1
cpsvip2 requires cpsnic2
cpsvol requires cpsdg
vxcpserv requires cpsmount
vxcpserv requires quorum

// resource dependency tree
//
// group CPSSG
// {
//   IP cpsvip1
//   {
//     NIC cpsnic1
//   }
//   IP cpsvip2
//   {
//     NIC cpsnic2
//   }
//   Process vxcpserv
//   {

```

```
//      Quorum quorum
//      Mount cpsmount
//      {
//          Volume cpsvol
//          {
//              DiskGroup cpsdg
//          }
//      }
//  }
```

## Sample CP server configuration (/etc/vxcps.conf) file output

The following is an example of a coordination point server (CP server) configuration file `/etc/vxcps.conf` output.

```
## The vxcps.conf file determines the
## configuration for Veritas CP Server.
cps_name=mycps1
vip=[10.209.81.88]
vip=[10.209.81.89]:56789
port=14250
security=1
db=/etc/VRTScps/db
```

# Installing VCS on a single node

This appendix includes the following topics:

- [About installing VCS on a single node](#)
- [Creating a single-node cluster using the installer program](#)
- [Creating a single-node cluster manually](#)
- [Setting the path variable for a manual single node installation](#)
- [Installing VCS software manually on a single node](#)
- [Configuring VCS](#)
- [Verifying single-node operation](#)

## About installing VCS on a single node

You can install VCS 6.0 on a single node. You can subsequently add another node to the single-node cluster to form a multinode cluster. You can also prepare a single node cluster for addition into a multi-node cluster. Single node clusters can be used for testing as well.

You can install VCS onto a single node using the installer program or you can add it manually.

See [“Creating a single-node cluster using the installer program”](#) on page 428.

See [“Creating a single-node cluster manually”](#) on page 429.

# Creating a single-node cluster using the installer program

[Table F-1](#) specifies the tasks that are involved to install VCS on a single node using the installer program.

**Table F-1** Tasks to create a single-node cluster using the installer

| Task                                                        | Reference                                                                             |
|-------------------------------------------------------------|---------------------------------------------------------------------------------------|
| Prepare for installation.                                   | See <a href="#">“Preparing for a single node installation”</a> on page 428.           |
| Install the VCS software on the system using the installer. | See <a href="#">“Starting the installer for the single node cluster”</a> on page 428. |

## Preparing for a single node installation

You can use the installer program to install a cluster on a single system for either of the two following purposes:

- To prepare the single node cluster to join a larger cluster
- To prepare the single node cluster to be a stand-alone single node cluster

When you prepare it to join a larger cluster, enable it with LLT and GAB. For a stand-alone cluster, you do not need to enable LLT and GAB.

For more information about LLT and GAB:

See [“About LLT and GAB”](#) on page 23.

## Starting the installer for the single node cluster

When you install VCS on a single system, follow the instructions in this guide for installing VCS using the product installer.

During the installation, you need to answer two questions specifically for single node installations. When the installer asks:

```
Enter the system names separated by spaces on which to install
VCS[q,?]
```

Enter a single system name. While you configure, the installer asks if you want to enable LLT and GAB:

```
If you plan to run VCS on a single node without any need for
adding cluster node online, you have an option to proceed
```

```
without starting GAB and LLT.
Starting GAB and LLT is recommended.
Do you want to start GAB and LLT? [y,n,q,?] (y)
```

Answer `n` if you want to use the single node cluster as a stand-alone cluster.

Answer `y` if you plan to incorporate the single node cluster into a multi-node cluster in the future.

Continue with the installation.

## Creating a single-node cluster manually

[Table F-2](#) specifies the tasks that you need to perform to install VCS on a single node.

**Table F-2** Tasks to create a single-node cluster manually

| Task                                                                                                                                                                                                                     | Reference                                                                                          |
|--------------------------------------------------------------------------------------------------------------------------------------------------------------------------------------------------------------------------|----------------------------------------------------------------------------------------------------|
| Set the PATH variable                                                                                                                                                                                                    | See <a href="#">“Setting the path variable for a manual single node installation”</a> on page 429. |
| Install the VCS software manually and add a license key                                                                                                                                                                  | See <a href="#">“Installing VCS software manually on a single node”</a> on page 430.               |
| Remove any LLT or GAB configuration files and rename LLT and GAB startup files.<br><br>A single-node cluster does not require the node-to-node communication service, LLT, or the membership communication service, GAB. |                                                                                                    |
| Create and modify the VCS configuration files.                                                                                                                                                                           | See <a href="#">“Configuring VCS”</a> on page 430.                                                 |
| Start VCS and verify single-node operation.                                                                                                                                                                              | See <a href="#">“Verifying single-node operation”</a> on page 430.                                 |

## Setting the path variable for a manual single node installation

Set the path variable.

See [“Setting the PATH variable”](#) on page 63.

# Installing VCS software manually on a single node

Install the VCS 6.0 packages manually and install the license key.

Refer to the following sections:

- See [“Installing VCS software manually”](#) on page 181.
- See [“Adding a license key for a manual installation”](#) on page 185.

## Configuring VCS

You now need to configure VCS.

See [“Configuring VCS manually”](#) on page 199.

## Verifying single-node operation

After successfully creating a single-node cluster, start VCS and verify the cluster.

To verify single-node cluster

- 1 Bring up VCS manually as a single-node cluster using `hastart` with the `-onenode` option:

```
# hastart -onenode
```

---

**Note:** You can also use SMF command to start VCS as a single-node cluster.

---

```
# svcadm enable system/vcs-onenode
```

- 2 Verify that the `had` and `hashadow` daemons are running in single-node mode:

```
# ps -ef | grep had
root 285 1 0 14:49:31 ? 0:02 /opt/VRTSvcs/bin/had -onenode
root 288 1 0 14:49:33 ? 0:00 /opt/VRTSvcs/bin/hashadow
```

# Configuring LLT over UDP

This appendix includes the following topics:

- [Using the UDP layer for LLT](#)
- [Manually configuring LLT over UDP using IPv4](#)
- [Manually configuring LLT over UDP using IPv6](#)
- [LLT over UDP sample /etc/lfttab](#)

## Using the UDP layer for LLT

VCS provides the option of using LLT over the UDP (User Datagram Protocol) layer for clusters using wide-area networks and routers. UDP makes LLT packets routable and thus able to span longer distances more economically.

### When to use LLT over UDP

Use LLT over UDP in the following situations:

- LLT must be used over WANs
- When hardware, such as blade servers, do not support LLT over Ethernet

LLT over UDP is slower than LLT over Ethernet. Use LLT over UDP only when the hardware configuration makes it necessary.

## Manually configuring LLT over UDP using IPv4

The following checklist is to configure LLT over UDP:

- Make sure that the LLT private links are on separate subnets. Set the broadcast address in `/etc/lfttab` explicitly depending on the subnet for each link.

See [“Broadcast address in the /etc/l1ttab file”](#) on page 432.

- Make sure that each NIC has an IP address that is configured before configuring LLT.
- Make sure the IP addresses in the /etc/l1ttab files are consistent with the IP addresses of the network interfaces.
- Make sure that each link has a unique not well-known UDP port.  
See [“Selecting UDP ports”](#) on page 434.
- Set the broadcast address correctly for direct-attached (non-routed) links.  
See [“Sample configuration: direct-attached links”](#) on page 436.
- For the links that cross an IP router, disable broadcast features and specify the IP address of each link manually in the /etc/l1ttab file.  
See [“Sample configuration: links crossing IP routers”](#) on page 438.

## Broadcast address in the /etc/l1ttab file

The broadcast address is set explicitly for each link in the following example.

- Display the content of the /etc/l1ttab file on the first node galaxy:

```
galaxy # cat /etc/l1ttab

set-node galaxy
set-cluster 1
link link1 /dev/udp - udp 50000 - 192.168.9.1 192.168.9.255
link link2 /dev/udp - udp 50001 - 192.168.10.1 192.168.10.255
```

Verify the subnet mask using the ifconfig command to ensure that the two links are on separate subnets.

- Display the content of the /etc/l1ttab file on the second node nebula:

```
nebula # cat /etc/l1ttab

set-node nebula
set-cluster 1
link link1 /dev/udp - udp 50000 - 192.168.9.2 192.168.9.255
link link2 /dev/udp - udp 50001 - 192.168.10.2 192.168.10.255
```

Verify the subnet mask using the ifconfig command to ensure that the two links are on separate subnets.

## The link command in the /etc/llttab file

Review the link command information in this section for the /etc/llttab file. See the following information for sample configurations:

- See [“Sample configuration: direct-attached links”](#) on page 436.
- See [“Sample configuration: links crossing IP routers”](#) on page 438.

[Table G-1](#) describes the fields of the link command that are shown in the /etc/llttab file examples. Note that some of the fields differ from the command for standard LLT links.

**Table G-1** Field description for link command in /etc/llttab

| Field                | Description                                                                                                                                                                                               |
|----------------------|-----------------------------------------------------------------------------------------------------------------------------------------------------------------------------------------------------------|
| <i>tag-name</i>      | A unique string that is used as a tag by LLT; for example link1, link2,....                                                                                                                               |
| <i>device</i>        | The device path of the UDP protocol; for example /dev/udp.                                                                                                                                                |
| <i>node-range</i>    | Nodes using the link. "-" indicates all cluster nodes are to be configured for this link.                                                                                                                 |
| <i>link-type</i>     | Type of link; must be "udp" for LLT over UDP.                                                                                                                                                             |
| <i>udp-port</i>      | Unique UDP port in the range of 49152-65535 for the link.<br>See <a href="#">“Selecting UDP ports”</a> on page 434.                                                                                       |
| <i>MTU</i>           | "-" is the default, which has a value of 8192. The value may be increased or decreased depending on the configuration. Use the <code>lltstat -l</code> command to display the current value.              |
| <i>IP address</i>    | IP address of the link on the local node.                                                                                                                                                                 |
| <i>bcast-address</i> | <ul style="list-style-type: none"> <li>■ For clusters with enabled broadcasts, specify the value of the subnet broadcast address.</li> <li>■ "-" is the default for clusters spanning routers.</li> </ul> |

## The set-addr command in the /etc/llttab file

The `set-addr` command in the /etc/llttab file is required when the broadcast feature of LLT is disabled, such as when LLT must cross IP routers.

See [“Sample configuration: links crossing IP routers”](#) on page 438.

[Table G-2](#) describes the fields of the set-addr command.

**Table G-2** Field description for set-addr command in /etc/llttab

| Field                | Description                                                                  |
|----------------------|------------------------------------------------------------------------------|
| <i>node-id</i>       | The ID of the cluster node; for example, 0.                                  |
| <i>link tag-name</i> | The string that LLT uses to identify the link; for example link1, link2,.... |
| <i>address</i>       | IP address assigned to the link for the peer node.                           |

## Selecting UDP ports

When you select a UDP port, select an available 16-bit integer from the range that follows:

- Use available ports in the private range 49152 to 65535
- Do not use the following ports:
  - Ports from the range of well-known ports, 0 to 1023
  - Ports from the range of registered ports, 1024 to 49151

To check which ports are defined as defaults for a node, examine the file /etc/services. You should also use the `netstat` command to list the UDP ports currently in use. For example:

```
# netstat -a | more
UDP
  Local Address          Remote Address         State
-----
    *.sunrpc              *.*                    Idle
    *.32771               *.*                    Idle
    *.32776               *.*                    Idle
    *.32777               *.*                    Idle
    *.name                *.*                    Idle
    *.biff                *.*                    Idle
    *.talk                *.*                    Idle
    *.32779               *.*                    Idle
.
.
.
    *.55098               *.*                    Idle
    *.syslog              *.*                    Idle
```

```

*.58702                               Idle
*.*                                     Unbound

```

Look in the UDP section of the output; the UDP ports that are listed under Local Address are already in use. If a port is listed in the `/etc/services` file, its associated name is displayed rather than the port number in the output.

## Configuring the netmask for LLT

For nodes on different subnets, set the netmask so that the nodes can access the subnets in use. Run the following command and answer the prompt to set the netmask:

```
# ifconfig interface_name netmask netmask
```

For example:

- For the first network interface on the node galaxy:

```
IP address=192.168.9.1, Broadcast address=192.168.9.255,
Netmask=255.255.255.0
```

For the first network interface on the node nebula:

```
IP address=192.168.9.2, Broadcast address=192.168.9.255,
Netmask=255.255.255.0
```

- For the second network interface on the node galaxy:

```
IP address=192.168.10.1, Broadcast address=192.168.10.255,
Netmask=255.255.255.0
```

For the second network interface on the node nebula:

```
IP address=192.168.10.2, Broadcast address=192.168.10.255,
Netmask=255.255.255.0
```

## Configuring the broadcast address for LLT

For nodes on different subnets, set the broadcast address in `/etc/lfttab` depending on the subnet that the links are on.

An example of a typical `/etc/lfttab` file when nodes are on different subnets. Note the explicitly set broadcast address for each link.

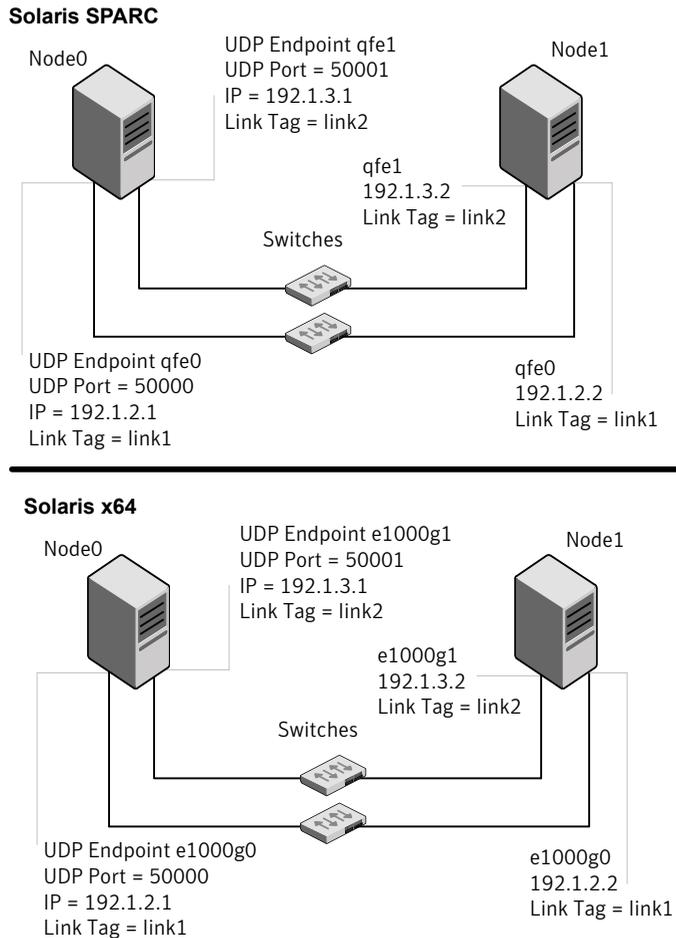
```
# cat /etc/llttab
set-node nodexyz
set-cluster 100

link link1 /dev/udp - udp 50000 - 192.168.30.1 192.168.30.255
link link2 /dev/udp - udp 50001 - 192.168.31.1 192.168.31.255
```

## Sample configuration: direct-attached links

[Figure G-1](#) depicts a typical configuration of direct-attached links employing LLT over UDP.

**Figure G-1** A typical configuration of direct-attached links that use LLT over UDP



The configuration that the `/etc/lltab` file for Node 0 represents has directly attached crossover links. It might also have the links that are connected through a hub or switch. These links do not cross routers.

LLT broadcasts requests peer nodes to discover their addresses. So the addresses of peer nodes do not need to be specified in the `/etc/lltab` file using the `set-addr` command. For direct attached links, you do need to set the broadcast address of

the links in the `/etc/litab` file. Verify that the IP addresses and broadcast addresses are set correctly by using the `ifconfig -a` command.

```
set-node Node0
set-cluster 1
#configure Links
#link tag-name device node-range link-type udp port MTU \
IP-address bcast-address
link link1 /dev/udp - udp 50000 - 192.1.2.1 192.1.2.255
link link2 /dev/udp - udp 50001 - 192.1.3.1 192.1.3.255
```

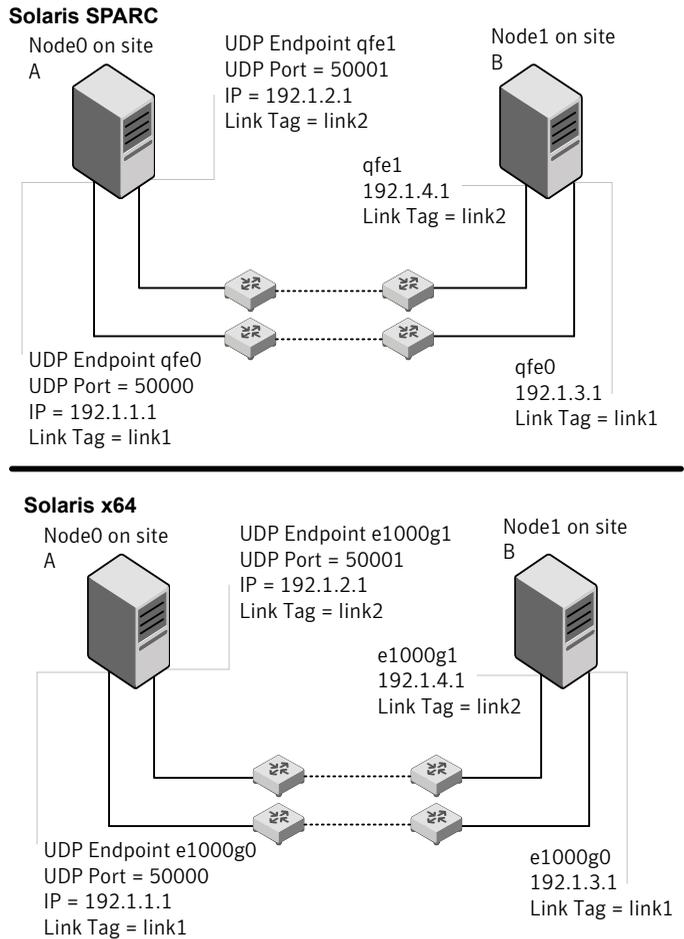
The file for Node 1 resembles:

```
set-node Node1
set-cluster 1
#configure Links
#link tag-name device node-range link-type udp port MTU \
IP-address bcast-address
link link1 /dev/udp - udp 50000 - 192.1.2.2 192.1.2.255
link link2 /dev/udp - udp 50001 - 192.1.3.2 192.1.3.255
```

## Sample configuration: links crossing IP routers

[Figure G-2](#) depicts a typical configuration of links crossing an IP router employing LLT over UDP. The illustration shows two nodes of a four-node cluster.

**Figure G-2** A typical configuration of links crossing an IP router



The configuration that the following `/etc/llttab` file represents for Node 1 has links crossing IP routers. Notice that IP addresses are shown for each link on each peer node. In this configuration broadcasts are disabled. Hence, the broadcast address does not need to be set in the `link` command of the `/etc/llttab` file.

```
set-node Node1
set-cluster 1
```

```

link link1 /dev/udp - udp 50000 - 192.1.3.1 -
link link2 /dev/udp - udp 50001 - 192.1.4.1 -

#set address of each link for all peer nodes in the cluster
#format: set-addr node-id link tag-name address
set-addr      0 link1 192.1.1.1
set-addr      0 link2 192.1.2.1
set-addr      2 link1 192.1.5.2
set-addr      2 link2 192.1.6.2
set-addr      3 link1 192.1.7.3
set-addr      3 link2 192.1.8.3

#disable LLT broadcasts
set-bcasthb   0
set-arp       0

```

The `/etc/llttab` file on Node 0 resembles:

```

set-node Node0
set-cluster 1

link link1 /dev/udp - udp 50000 - 192.1.1.1 -
link link2 /dev/udp - udp 50001 - 192.1.2.1 -

#set address of each link for all peer nodes in the cluster
#format: set-addr node-id link tag-name address
set-addr      1 link1 192.1.3.1
set-addr      1 link2 192.1.4.1
set-addr      2 link1 192.1.5.2
set-addr      2 link2 192.1.6.2
set-addr      3 link1 192.1.7.3
set-addr      3 link2 192.1.8.3

#disable LLT broadcasts
set-bcasthb   0
set-arp       0

```

## Manually configuring LLT over UDP using IPv6

The following checklist is to configure LLT over UDP:

- For UDP6, the multicast address is set to "-".

- Make sure that each NIC has an IPv6 address that is configured before configuring LLT.
- Make sure the IPv6 addresses in the /etc/llttab files are consistent with the IPv6 addresses of the network interfaces.
- Make sure that each link has a unique not well-known UDP port.  
See [“Selecting UDP ports”](#) on page 442.
- For the links that cross an IP router, disable multicast features and specify the IPv6 address of each link manually in the /etc/llttab file.  
See [“Sample configuration: links crossing IP routers”](#) on page 445.

## The link command in the /etc/llttab file

Review the link command information in this section for the /etc/llttab file. See the following information for sample configurations:

- See [“Sample configuration: direct-attached links”](#) on page 443.
- See [“Sample configuration: links crossing IP routers”](#) on page 445.

Note that some of the fields in [Table G-3](#) differ from the command for standard LLT links.

[Table G-3](#) describes the fields of the link command that are shown in the /etc/llttab file examples.

**Table G-3** Field description for link command in /etc/llttab

| Field               | Description                                                                                                                                                                                  |
|---------------------|----------------------------------------------------------------------------------------------------------------------------------------------------------------------------------------------|
| <i>tag-name</i>     | A unique string that is used as a tag by LLT; for example link1, link2,....                                                                                                                  |
| <i>device</i>       | The device path of the UDP protocol; for example /dev/udp6.                                                                                                                                  |
| <i>node-range</i>   | Nodes using the link. "-" indicates all cluster nodes are to be configured for this link.                                                                                                    |
| <i>link-type</i>    | Type of link; must be "udp6" for LLT over UDP.                                                                                                                                               |
| <i>udp-port</i>     | Unique UDP port in the range of 49152-65535 for the link.<br>See <a href="#">“Selecting UDP ports”</a> on page 442.                                                                          |
| <i>MTU</i>          | "-" is the default, which has a value of 8192. The value may be increased or decreased depending on the configuration. Use the <code>lltstat -l</code> command to display the current value. |
| <i>IPv6 address</i> | IPv6 address of the link on the local node.                                                                                                                                                  |

**Table G-3** Field description for link command in `/etc/llttab` (*continued*)

| Field                | Description                                       |
|----------------------|---------------------------------------------------|
| <i>mcast-address</i> | "-" is the default for clusters spanning routers. |

## The `set-addr` command in the `/etc/llttab` file

The `set-addr` command in the `/etc/llttab` file is required when the multicast feature of LLT is disabled, such as when LLT must cross IP routers.

See [“Sample configuration: links crossing IP routers”](#) on page 445.

[Table G-4](#) describes the fields of the `set-addr` command.

**Table G-4** Field description for `set-addr` command in `/etc/llttab`

| Field                | Description                                                                  |
|----------------------|------------------------------------------------------------------------------|
| <i>node-id</i>       | The ID of the cluster node; for example, 0.                                  |
| <i>link tag-name</i> | The string that LLT uses to identify the link; for example link1, link2,.... |
| <i>address</i>       | IPv6 address assigned to the link for the peer node.                         |

## Selecting UDP ports

When you select a UDP port, select an available 16-bit integer from the range that follows:

- Use available ports in the private range 49152 to 65535
- Do not use the following ports:
  - Ports from the range of well-known ports, 0 to 1023
  - Ports from the range of registered ports, 1024 to 49151

To check which ports are defined as defaults for a node, examine the file `/etc/services`. You should also use the `netstat` command to list the UDP ports currently in use. For example:

```
# netstat -a | more
```

```
UDP: IPv4
   Local Address           Remote Address           State
-----
   *.sunrpc                Idle
```

```

*. *                               Unbound
*.32772                             Idle
*. *                               Unbound
*.32773                             Idle
*.lockd                             Idle
*.32777                             Idle
*.32778                             Idle
*.32779                             Idle
*.32780                             Idle
*.servicetag                       Idle
*.syslog                           Idle
*.16161                             Idle
*.32789                             Idle
*.177                               Idle
*.32792                             Idle
*.32798                             Idle
*.snmpd                             Idle
*.32802                             Idle
*. *                               Unbound
*. *                               Unbound
*. *                               Unbound

```

UDP: IPv6

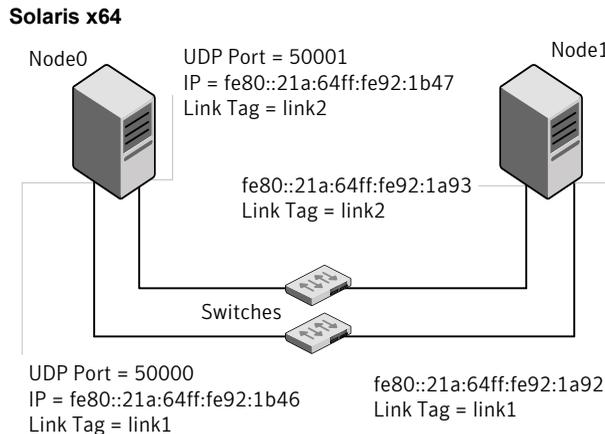
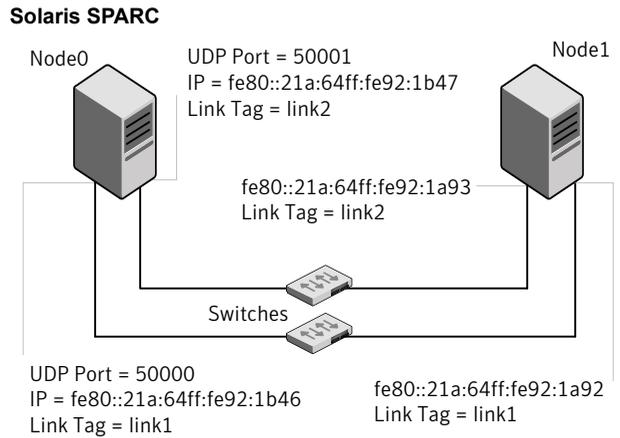
| Local Address | Remote Address | State | If |
|---------------|----------------|-------|----|
| *.servicetag  |                | Idle  |    |
| *.177         |                | Idle  |    |

Look in the UDP section of the output; the UDP ports that are listed under Local Address are already in use. If a port is listed in the /etc/services file, its associated name is displayed rather than the port number in the output.

## Sample configuration: direct-attached links

Figure G-3 depicts a typical configuration of direct-attached links employing LLT over UDP.

**Figure G-3** A typical configuration of direct-attached links that use LLT over UDP



The configuration that the `/etc/lltab` file for Node 0 represents has directly attached crossover links. It might also have the links that are connected through a hub or switch. These links do not cross routers.

LLT uses IPv6 multicast requests for peer node address discovery. So the addresses of peer nodes do not need to be specified in the `/etc/lltab` file using the `set-addr` command. Use the `ifconfig -a` command to verify that the IPv6 address is set correctly.

```
set-node Node0
set-cluster 1
```

```
#configure Links
#link tag-name device node-range link-type udp port MTU \
IP-address mcast-address
link link1 /dev/udp6 - udp6 50000 - fe80::21a:64ff:fe92:1b46 -
link link1 /dev/udp6 - udp6 50001 - fe80::21a:64ff:fe92:1b47 -
```

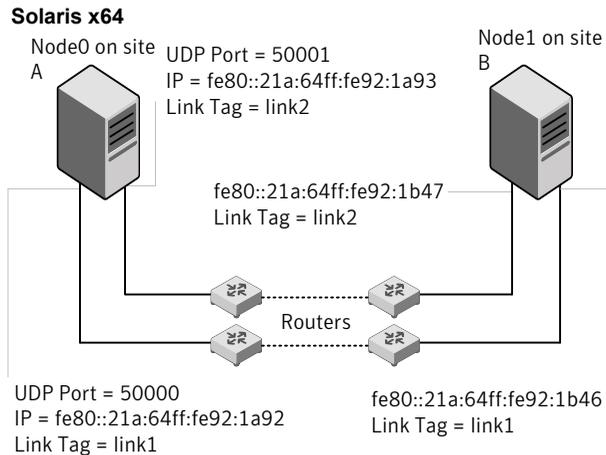
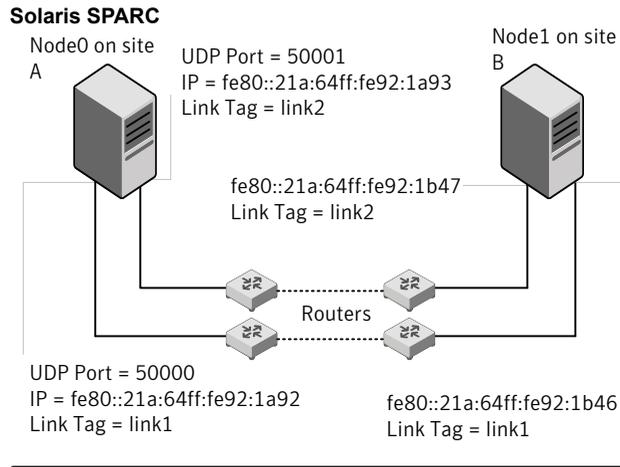
The file for Node 1 resembles:

```
set-node Node1
set-cluster 1
#configure Links
#link tag-name device node-range link-type udp port MTU \
IP-address mcast-address
link link1 /dev/udp6 - udp6 50000 - fe80::21a:64ff:fe92:1a92 -
link link1 /dev/udp6 - udp6 50001 - fe80::21a:64ff:fe92:1a93 -
```

## Sample configuration: links crossing IP routers

[Figure G-4](#) depicts a typical configuration of links crossing an IP router employing LLT over UDP. The illustration shows two nodes of a four-node cluster.

**Figure G-4** A typical configuration of links crossing an IP router



The configuration that the following `/etc/llttab` file represents for Node 1 has links crossing IP routers. Notice that IPv6 addresses are shown for each link on each peer node. In this configuration multicasts are disabled.

```
set-node Node1
set-cluster 1

link link1 /dev/udp6 - udp6 50000 - fe80::21a:64ff:fe92:1a92 -
link link1 /dev/udp6 - udp6 50001 - fe80::21a:64ff:fe92:1a93 -

#set address of each link for all peer nodes in the cluster
```

```
#format: set-addr node-id link tag-name address
set-addr 0 link1 fe80::21a:64ff:fe92:1b46
set-addr 0 link2 fe80::21a:64ff:fe92:1b47
set-addr 2 link1 fe80::21a:64ff:fe92:1d70
set-addr 2 link2 fe80::21a:64ff:fe92:1d71
set-addr 3 link1 fe80::209:6bff:fe1b:1c94
set-addr 3 link2 fe80::209:6bff:fe1b:1c95

#disable LLT multicasts
set-bcasthb 0
set-arp 0
```

The /etc/llttab file on Node 0 resembles:

```
set-node Node0
set-cluster 1

link link1 /dev/udp6 - udp6 50000 - fe80::21a:64ff:fe92:1b46 -
link link2 /dev/udp6 - udp6 50001 - fe80::21a:64ff:fe92:1b47 -

#set address of each link for all peer nodes in the cluster
#format: set-addr node-id link tag-name address
set-addr 1 link1 fe80::21a:64ff:fe92:1a92
set-addr 1 link2 fe80::21a:64ff:fe92:1a93
set-addr 2 link1 fe80::21a:64ff:fe92:1d70
set-addr 2 link2 fe80::21a:64ff:fe92:1d71
set-addr 3 link1 fe80::209:6bff:fe1b:1c94
set-addr 3 link2 fe80::209:6bff:fe1b:1c95

#disable LLT multicasts
set-bcasthb 0
set-arp 0
```

## LLT over UDP sample /etc/llttab

The following is a sample of LLT over UDP in the etc/llttab file.

```
set-node galaxy
set-cluster clus1
link e1000g1 /dev/udp - udp 50000 - 192.168.10.1 -
link e1000g2 /dev/udp - udp 50001 - 192.168.11.1 -
link-lowpri e1000g0 /dev/udp - udp 50004 - 10.200.58.205 -
set-addr 1 e1000g1 192.168.10.2
```

```
set-addr 1 e1000g2 192.168.11.2  
set-addr 1 e1000g0 10.200.58.206  
set-bcasthb 0  
set-arp 0
```

# Configuring the secure shell or the remote shell for communications

This appendix includes the following topics:

- [Setting up inter-system communication](#)

## Setting up inter-system communication

If you manually need to set up a communication mode, refer to these procedures. You must have root privilege to issue ssh or rsh commands on all systems in the cluster. If ssh is used to communicate between systems, it must be configured in a way such that it operates without requests for passwords or passphrases. Similarly, rsh must be configured in such a way to not prompt for passwords.

If system communication is not possible between systems using ssh or rsh, contact Symantec Support. See <http://support.symantec.com>.

## Setting up ssh on cluster systems

Use the Secure Shell (ssh) to install VCS on all systems in a cluster from a system outside of the cluster. Before you start the installation process, verify that ssh is configured correctly.

Use Secure Shell (ssh) to do the following:

- Log on to another system over a network
- Execute commands on a remote system
- Copy files from one system to another

The ssh shell provides strong authentication and secure communications over channels. It is intended to replace rlogin, rsh, and rcp.

## Configuring ssh

The procedure to configure ssh uses OpenSSH example file names and commands.

---

**Note:** You can configure ssh in other ways. Regardless of how ssh is configured, complete the last step in the example to verify the configuration.

---

### To configure ssh

- 1 Log in as root on the source system from which you want to install the Veritas product.
- 2 To generate a DSA key pair on the source system, type the following:

```
# ssh-keygen -t dsa
```

System output similar to the following is displayed:

```
Generating public/private dsa key pair.  
Enter file in which to save the key (/.ssh/id_dsa):
```

- 3 Press **Enter** to accept the default location of `/.ssh/id_dsa`. System output similar to the following is displayed:

```
Enter passphrase (empty for no passphrase):
```

- 4 Do not enter a passphrase. Press **Enter**. Enter same passphrase again. Press **Enter** again.
- 5 Make sure the `/.ssh` directory is on all the target installation systems. If that directory is absent, create it on the target system and set the write permission to root only:

```
# mkdir /.ssh  
# chmod go-w /  
# chmod 700 /.ssh  
# chmod go-rwx /.ssh
```

- 6 Make sure the secure file transfer program (SFTP) is enabled on all the target installation systems. To enable SFTP, the `/etc/ssh/sshd_config` file must contain the following two lines:

```
PermitRootLogin yes
Subsystem sftp /usr/lib/ssh/sftp-server
```

- 7 If the lines are not there, add them and restart SSH. To restart SSH on Solaris 10, type the following command:

```
# svcadm restart ssh
```

- 8 To copy the public DSA key, `/.ssh/id_dsa.pub` to each target system, type the following commands:

```
# sftp target_sys
```

If you run this step for the first time on a system, output similar to the following appears:

```
Connecting to target_sys...
The authenticity of host 'target_sys (10.182.00.00)'
can't be established. DSA key fingerprint is
fb:6f:9e:61:91:9e:44:6b:87:86:ef:68:a6:fd:87:7d.
Are you sure you want to continue connecting (yes/no)?
```

- 9 Enter **yes**. Output similar to the following is displayed:

```
Warning: Permanently added 'target_sys,10.182.00.00'
(DSA) to the list of known hosts.
root@target_sys password:
```

- 10 Enter the root password.  
11 At the sftp prompt, type the following command:

```
sftp> put /.ssh/id_dsa.pub
```

The following output is displayed:

```
Uploading /.ssh/id_dsa.pub to /id_dsa.pub
```

- 12 To quit the SFTP session, type the following command:

```
sftp> quit
```

- 13 To begin the ssh session on the target system, type the following command:

```
# ssh target_sys
```

- 14 Enter the root password at the prompt:

```
password:
```

- 15 After you log in, enter the following command to append the authorization key to the `id_dsa.pub` file:

```
# cat /id_dsa.pub >> /.ssh/authorized_keys
```

- 16 Delete the `id_dsa.pub` public key file. Before you delete this public key file, make sure to complete the following tasks:

- The file is copied to the target (host) system
- The file is added to the authorized keys file

To delete the `id_dsa.pub` public key file, type the following command:

```
# rm /id_dsa.pub
```

- 17 To log out of the ssh session, type the following command:

```
# exit
```

- 18 When you install from a source system that is also an installation target, add the local system `id_dsa.pub` key to the local `/.ssh/authorized_key` file. The installation can fail if the installation source system is not authenticated.

- 19 Run the following commands on the source installation system. These commands bring the private key into the shell environment and makes the key globally available for the user root:

```
# exec /usr/bin/ssh-agent $SHELL
# ssh-add
Identity added: /.ssh/identity
```

This step is shell-specific and is valid only while the shell is active. You must execute the procedure again if you close the shell during the session.

- 20 To verify that you can connect to the target system, type the following command:

```
# ssh -l root target_sys uname -a
```

The commands should execute on the remote system without any requests for a passphrase or password from the system.

## Troubleshooting VCS installation

This appendix includes the following topics:

- [What to do if you see a licensing reminder](#)
- [Restarting the installer after a failed connection](#)
- [Starting and stopping processes for the Veritas products](#)
- [Installer cannot create UUID for the cluster](#)
- [LLT startup script displays errors](#)
- [The vxfsenthdw utility fails when SCSI TEST UNIT READY command fails](#)
- [Issues during fencing startup on VCS cluster nodes set up for server-based fencing](#)

### What to do if you see a licensing reminder

In this release, you can install without a license key. In order to comply with the End User License Agreement, you must either install a license key or make the host managed by a Management Server. If you do not comply with these terms within 60 days, the following warning messages result:

```
WARNING V-365-1-1 This host is not entitled to run Veritas Storage
Foundation/Veritas Cluster Server.As set forth in the End User
License Agreement (EULA) you must complete one of the two options
set forth below. To comply with this condition of the EULA and
stop logging of this message, you have <nn> days to either:
- make this host managed by a Management Server (see
```

```

http://go.symantec.com/sfhakeyless for details and free download),
or
- add a valid license key matching the functionality in use on this host
  using the command 'vxlicinst'

```

To comply with the terms of the EULA, and remove these messages, you must do one of the following within 60 days:

- Install a valid license key corresponding to the functionality in use on the host. After you install the license key, you must validate the license key using the following command:

```
# /opt/VRTS/bin/vxkeyless
```

- Continue with keyless licensing by managing the server or cluster with a management server.  
 For more information about keyless licensing, see the following URL:  
<http://go.symantec.com/sfhakeyless>

## Restarting the installer after a failed connection

If an installation is killed because of a failed connection, you can restart the installer to resume the installation. The installer detects the existing installation. The installer prompts you whether you want to resume the installation. If you resume the installation, the installation proceeds from the point where the installation failed.

## Starting and stopping processes for the Veritas products

After the installation and configuration is complete, the Veritas product installer starts the processes that are used by the installed products. You can use the product installer to stop or start the processes, if required.

### To stop the processes

- ◆ Use the `-stop` option to stop the product installation script.

For example, to stop the product's processes, enter the following command:

```
# ./installer -stop
```

**To start the processes**

- ◆ Use the `-start` option to start the product installation script.

For example, to start the product's processes, enter the following command:

```
# ./installer -start
```

## Installer cannot create UUID for the cluster

The installer displays the following error message if the installer cannot find the `uuidconfig.pl` script before it configures the UUID for the cluster:

```
Couldn't find uuidconfig.pl for uuid configuration,  
please create uuid manually before start vcs
```

You may see the error message during VCS configuration, upgrade, or when you add a node to the cluster using the installer.

Workaround: To start VCS, you must run the `uuidconfig.pl` script manually to configure the UUID on each cluster node.

**To configure the cluster UUID when you create a cluster manually**

- ◆ On one node in the cluster, perform the following command to populate the cluster UUID on each node in the cluster.

```
# /opt/VRTSvcs/bin/uuidconfig.pl -clus -configure nodeA  
nodeB ... nodeN
```

Where `nodeA`, `nodeB`, through `nodeN` are the names of the cluster nodes.

## LLT startup script displays errors

If more than one system on the network has the same clusterid-nodeid pair and the same Ethernet sap/UDP port, then the LLT startup script displays error messages similar to the following:

```
LLT lltconfig ERROR V-14-2-15238 node 1 already exists  
in cluster 8383 and has the address - 00:18:8B:E4:DE:27  
LLT lltconfig ERROR V-14-2-15241 LLT not configured,  
use -o to override this warning  
LLT lltconfig ERROR V-14-2-15664 LLT could not  
configure any link  
LLT lltconfig ERROR V-14-2-15245 cluster id 1 is  
already being used by nid 0 and has the
```

The vxfcntlh utility fails when SCSI TEST UNIT READY command fails

```
address - 00:04:23:AC:24:2D
LLT lltdconfig ERROR V-14-2-15664 LLT could not
configure any link
```

Check the log files that get generated in the `/var/svc/log` directory for any errors.

Recommended action: Ensure that all systems on the network have unique clusterid-nodeid pair. You can use the `lltdump -f device -D` command to get the list of unique clusterid-nodeid pairs connected to the network. This utility is available only for LLT-over-ethernet.

## The vxfcntlh utility fails when SCSI TEST UNIT READY command fails

While running the vxfcntlh utility, you may see a message that resembles as follows:

```
Issuing SCSI TEST UNIT READY to disk reserved by other node
FAILED.
Contact the storage provider to have the hardware configuration
fixed.
```

The disk array does not support returning success for a SCSI TEST UNIT READY command when another host has the disk reserved using SCSI-3 persistent reservations. This happens with the Hitachi Data Systems 99XX arrays if bit 186 of the system mode option is not enabled.

## Issues during fencing startup on VCS cluster nodes set up for server-based fencing

Table I-1 Fencing startup issues on VCS cluster (client cluster) nodes

| Issue                                                                        | Description and resolution                                                                                                                                                                                                                                                                                                                                                                                                                                                                                                                                             |
|------------------------------------------------------------------------------|------------------------------------------------------------------------------------------------------------------------------------------------------------------------------------------------------------------------------------------------------------------------------------------------------------------------------------------------------------------------------------------------------------------------------------------------------------------------------------------------------------------------------------------------------------------------|
| <p><code>cpsadm</code> command on the VCS cluster gives connection error</p> | <p>If you receive a connection error message after issuing the <code>cpsadm</code> command on the VCS cluster, perform the following actions:</p> <ul style="list-style-type: none"> <li>■ Ensure that the CP server is reachable from all the VCS cluster nodes.</li> <li>■ Check that the VCS cluster nodes use the correct CP server virtual IP or virtual hostname and the correct port number. Check the <code>/etc/vxfenmode</code> file.</li> <li>■ Ensure that the running CP server is using the same virtual IP/virtual hostname and port number.</li> </ul> |

**Issues during fencing startup on VCS cluster nodes set up for server-based fencing**

**Table I-1** Fencing startup issues on VCS cluster (client cluster) nodes  
(continued)

| Issue                  | Description and resolution                                                                                                                                                                                                                                                                                                                                                                                                                                                                                                                                                           |
|------------------------|--------------------------------------------------------------------------------------------------------------------------------------------------------------------------------------------------------------------------------------------------------------------------------------------------------------------------------------------------------------------------------------------------------------------------------------------------------------------------------------------------------------------------------------------------------------------------------------|
| Authorization failure  | <p>Authorization failure occurs when the CP server's nodes or users are not added in the CP server configuration. Therefore, fencing on the VCS cluster (client cluster) node is not allowed to access the CP server and register itself on the CP server. Fencing fails to come up if it fails to register with a majority of the coordination points.</p> <p>To resolve this issue, add the CP server node and user in the CP server configuration and restart fencing.</p> <p>See <a href="#">"Preparing the CP servers manually for use by the VCS cluster"</a> on page 210.</p> |
| Authentication failure | <p>If you had configured secure communication between the CP server and the VCS cluster (client cluster) nodes, authentication failure can occur due to the following causes:</p> <ul style="list-style-type: none"> <li>■ Symantec Product Authentication Services (AT) is not properly configured on the CP server and/or the VCS cluster.</li> <li>■ The CP server and the VCS cluster nodes use different root brokers, and trust is not established between the authentication brokers:</li> </ul>                                                                              |

# Sample VCS cluster setup diagrams for CP server-based I/O fencing

This appendix includes the following topics:

- [Configuration diagrams for setting up server-based I/O fencing](#)

## Configuration diagrams for setting up server-based I/O fencing

The following CP server configuration diagrams can be used as guides when setting up CP server within your configuration:

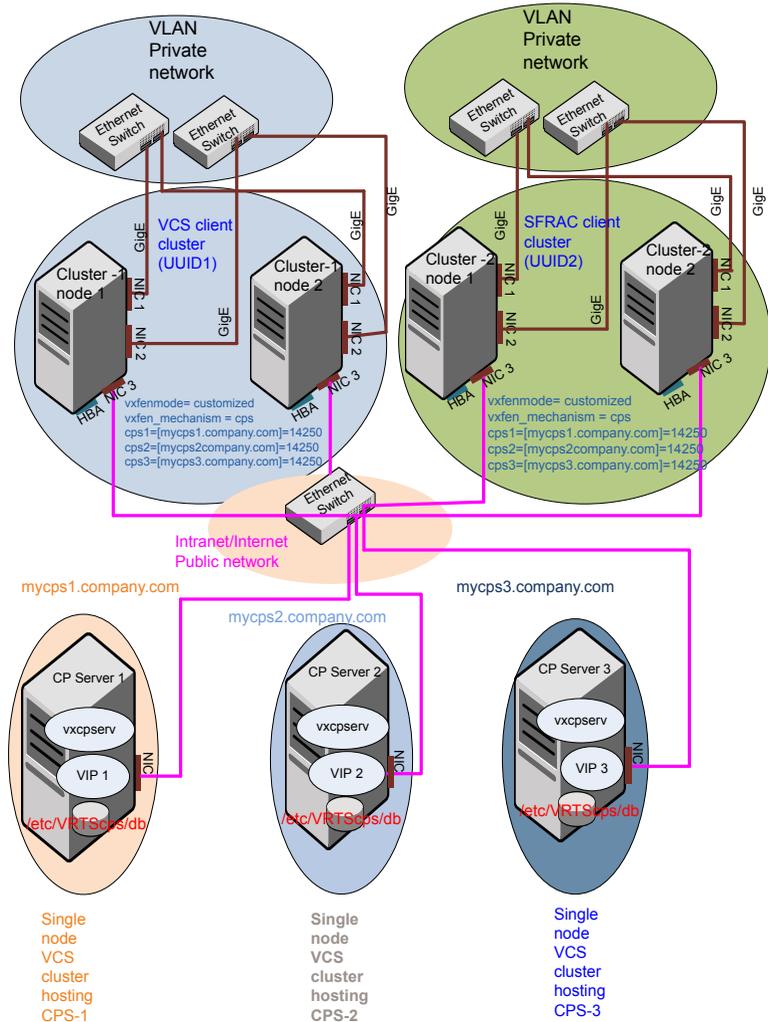
- Two unique client clusters that are served by 3 CP servers:  
See [Figure J-1](#) on page 460.
- Client cluster that is served by highly available CP server and 2 SCSI-3 disks:  
[Figure J-2](#)
- Two node campus cluster that is served by remote CP server and 2 SCSI-3 disks:  
[Figure J-3](#)
- Multiple client clusters that are served by highly available CP server and 2 SCSI-3 disks:  
[Figure J-4](#)

## Two unique client clusters served by 3 CP servers

Figure J-1 displays a configuration where two unique client clusters are being served by 3 CP servers (coordination points). Each client cluster has its own unique user ID (UUID1 and UUID2).

In the `vxfenmode` file on the client nodes, `vxfenmode` is set to `customized` with `vxfen_mechanism` set to `cps`.

**Figure J-1** Two unique client clusters served by 3 CP servers



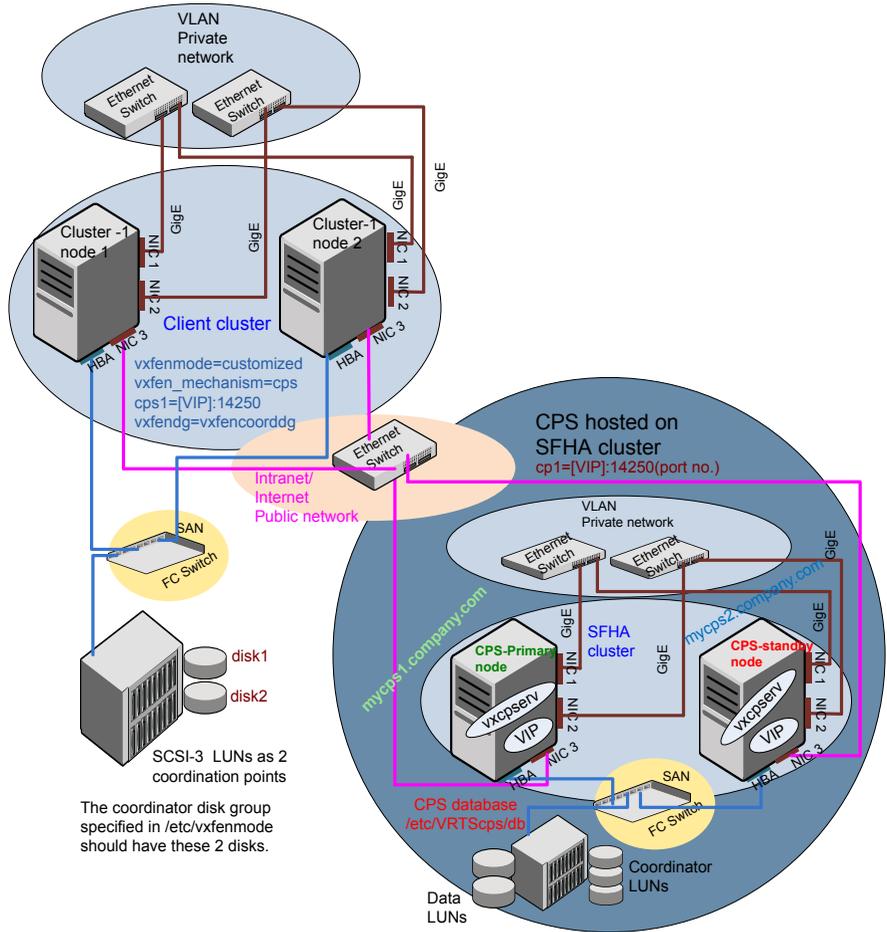
## Client cluster served by highly available CPS and 2 SCSI-3 disks

Figure J-2 displays a configuration where a client cluster is served by one highly available CP server and 2 local SCSI-3 LUNs (disks).

In the `vxfsenmode` file on the client nodes, `vxfsenmode` is set to customized with `vxfsen` mechanism set to `cps`.

The two SCSI-3 disks are part of the disk group `vxfsencoordg`. The third coordination point is a CP server hosted on an SFHA cluster, with its own shared database and coordinator disks.

**Figure J-2** Client cluster served by highly available CP server and 2 SCSI-3 disks



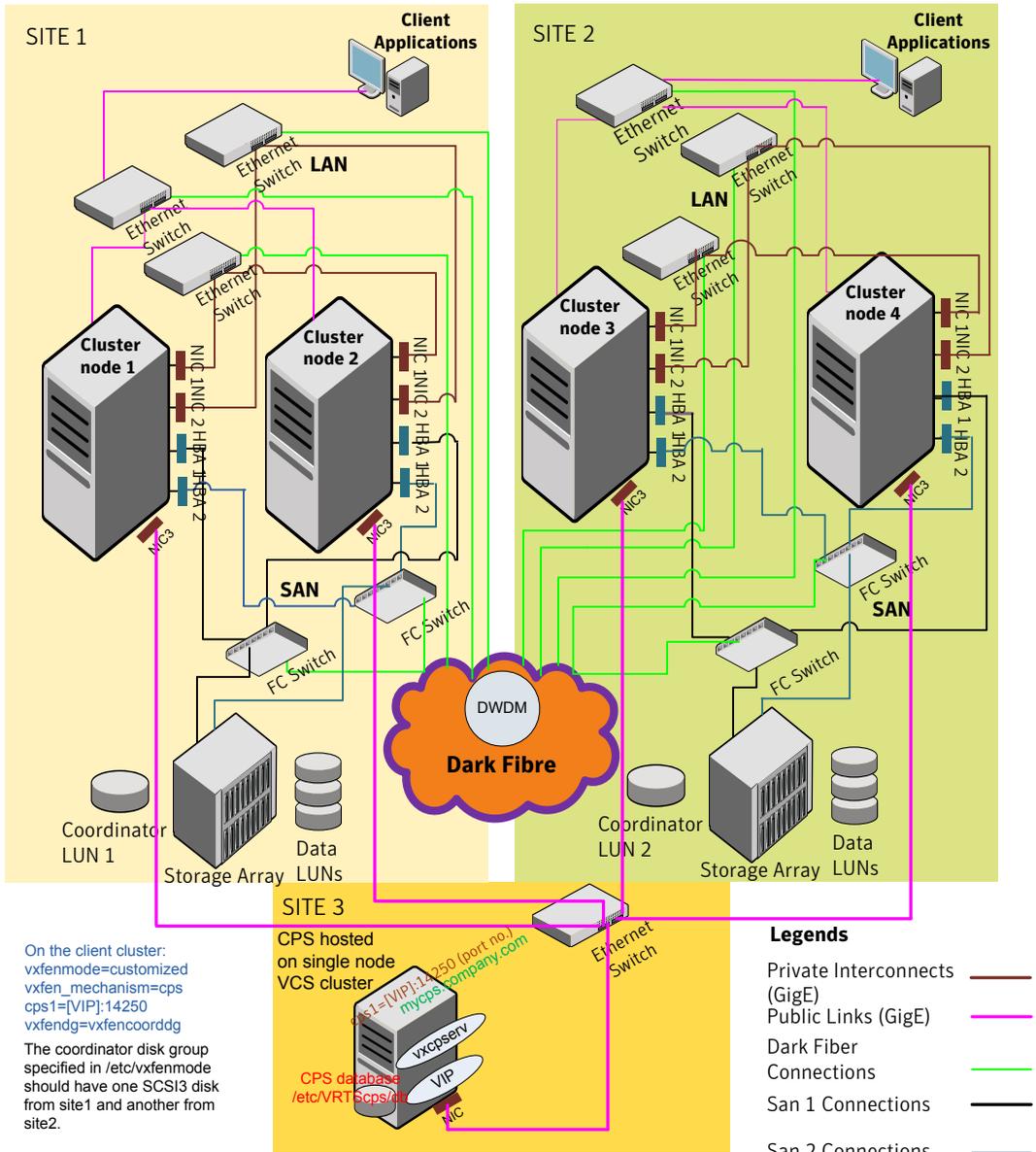
## Two node campus cluster served by remote CP server and 2 SCSI-3 disks

Figure J-3 displays a configuration where a two node campus cluster is being served by one remote CP server and 2 local SCSI-3 LUN (disks).

In the `vxfenmode` file on the client nodes, `vxfenmode` is set to `customized` with `vxfen` mechanism set to `cps`.

The two SCSI-3 disks (one from each site) are part of disk group vxfencoordg.  
 The third coordination point is a CP server on a single node VCS cluster.

**Figure J-3** Two node campus cluster served by remote CP server and 2 SCSI-3



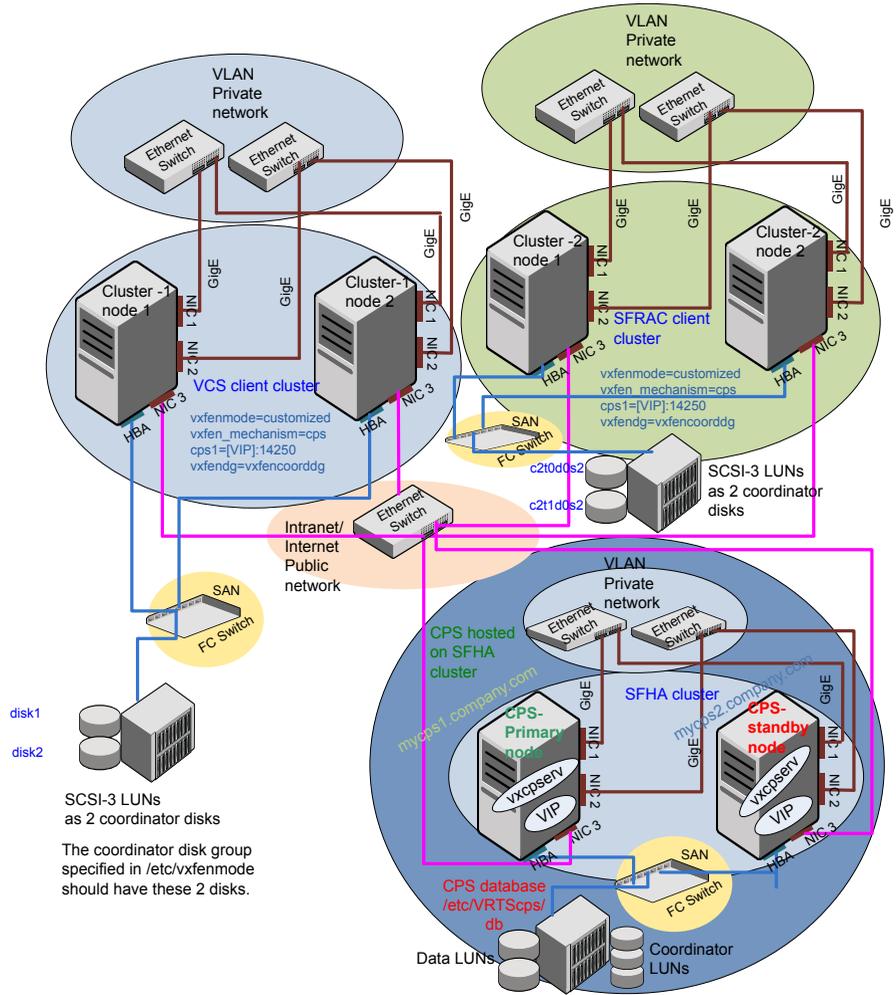
## Multiple client clusters served by highly available CP server and 2 SCSI-3 disks

[Figure J-4](#) displays a configuration where multiple client clusters are being served by one highly available CP server and 2 local SCSI-3 LUNS (disks).

In the `vxfenmode` file on the client nodes, `vxfenmode` is set to `customized` with `vxfen` mechanism set to `cps`.

The two SCSI-3 disks are part of the disk group `vxfencoorddg`. The third coordination point is a CP server, hosted on an SFHA cluster, with its own shared database and coordinator disks.

**Figure J-4** Multiple client clusters served by highly available CP server and 2 SCSI-3 disks



disk1  
 disk2

SCSI-3 LUNs  
 as 2 coordinator disks

The coordinator disk group  
 specified in `/etc/vxfenmode`  
 should have these 2 disks.

# Reconciling major/minor numbers for NFS shared disks

This appendix includes the following topics:

- [Reconciling major/minor numbers for NFS shared disks](#)

## Reconciling major/minor numbers for NFS shared disks

Your configuration may include disks on the shared bus that support NFS. You can configure the NFS file systems that you export on disk partitions or on Veritas Volume Manager volumes.

An example disk partition name is `/dev/dsk/c1t1d0s2`.

An example volume name is `/dev/vx/dsk/shreddg/vol13`. Each name represents the block device on which the file system is to be mounted.

In a VCS cluster, block devices providing NFS service must have the same major and minor numbers on each cluster node. Major numbers identify required device drivers (such as a Solaris partition or a VxVM volume). Minor numbers identify the specific devices themselves. NFS also uses major and minor numbers to identify the exported file system.

Major and minor numbers must be verified to ensure that the NFS identity for the file system is the same when exported from each node.

## Checking major and minor numbers for disk partitions

The following sections describe checking and changing, if necessary, the major and minor numbers for disk partitions used by cluster nodes.

### To check major and minor numbers on disk partitions

- ◆ Use the following command on all nodes exporting an NFS file system. This command displays the major and minor numbers for the block device.

```
# ls -lL block_device
```

The variable *block\_device* refers to a partition where a file system is mounted for export by NFS. Use this command on each NFS file system. For example, type:

```
# ls -lL /dev/dsk/clt1d0s2
```

Output on Node A resembles:

```
crw-r----- 1 root sys 32,1 Dec 3 11:50 /dev/dsk/clt1d0s2
```

Output on Node B resembles:

```
crw-r----- 1 root sys 32,1 Dec 3 11:55 /dev/dsk/clt1d0s2
```

Note that the major numbers (32) and the minor numbers (1) match, satisfactorily meeting the requirement for NFS file systems.

### To reconcile the major numbers that do not match on disk partitions

- 1 Reconcile the major and minor numbers, if required. For example, if the output in the previous section resembles the following, perform the instructions beginning step 2:

Output on Node A:

```
crw-r----- 1 root sys 32,1 Dec 3 11:50 /dev/dsk/clt1d0s2
```

Output on Node B:

```
crw-r----- 1 root sys 36,1 Dec 3 11:55 /dev/dsk/clt1d0s2
```

- 2 Place the VCS command directory in your path.

```
# export PATH=$PATH:/usr/sbin:/sbin:/opt/VRTS/bin
```

- 3 Attempt to change the major number on System B (now 36) to match that of System A (32). Use the command:

```
# haremajor -sd major_number
```

For example, on Node B, enter:

```
# haremajor -sd 32
```

- 4 If the command succeeds, go to step 8.
- 5 If the command fails, you may see a message resembling:

```
Error: Preexisting major number 32
These are available numbers on this system: 128...
Check /etc/name_to_major on all systems for
available numbers.
```

- 6 Notice that the number 36 (the major number on Node A) is not available on Node B. Run the `haremajor` command on Node B and change it to 128,

```
# haremajor -sd 128
```

- 7 Run the same command on Node A. If the command fails on Node A, the output lists the available numbers. Rerun the command on both nodes, setting the major number to one available to both.
- 8 Reboot each system on which the command succeeds.
- 9 Proceed to reconcile the major numbers for your next partition.

#### To reconcile the minor numbers that do not match on disk partitions

- 1 In the example, the minor numbers are 1 and 3 and are reconciled by setting to 30 on each node.
- 2 Type the following command on both nodes using the name of the block device:

```
# ls -l /dev/dsk/c1t1d0s2
```

Output from this command resembles the following on Node A:

```
lrwxrwxrwx 1 root  root  83 Dec 3 11:50
/dev/dsk/c1t1d0s2      -> ../../
devices/sbus@1f,0/QLGC,isp@0,10000/sd@1,0:d,raw
```

The device name (in bold) includes the slash following the word `devices`, and continues to, but does not include, the colon.

- 3 Type the following command on both nodes to determine the instance numbers that the SCSI driver uses:

```
# grep sd /etc/path_to_inst | sort -n -k 2,2
```

Output from this command resembles the following on Node A:

```
"/sbus@1f,0/QLGC,isp@0,10000/sd@0,0" 0 "sd"  
"/sbus@1f,0/QLGC,isp@0,10000/sd@1,0" 1 "sd"  
"/sbus@1f,0/QLGC,isp@0,10000/sd@2,0" 2 "sd"  
"/sbus@1f,0/QLGC,isp@0,10000/sd@3,0" 3 "sd"  
.  
.  
"/sbus@1f,0/SUNW,fas@e,8800000/sd@d,0" 27 "sd"  
"/sbus@1f,0/SUNW,fas@e,8800000/sd@e,0" 28 "sd"  
"/sbus@1f,0/SUNW,fas@e,8800000/sd@f,0" 29 "sd"
```

In the output, the instance numbers are in the second field.

The instance number that is associated with the device name that matches the name for Node A displayed in step 2, is "1."

- 4 Compare instance numbers for the device in the output on each node.

After you review the instance numbers, perform one of the following tasks:

- If the instance number from one node is unused on the other— it does not appear in the output of step 3—edit `/etc/path_to_inst`. You edit this file to make the second node's instance number similar to the number of the first node.
- If the instance numbers in use on both nodes, edit `/etc/path_to_inst` on both nodes. Change the instance number that is associated with the device name to an unused number. The number needs to be greater than the highest number that other devices use. For example, the output of step 3 shows the instance numbers that all devices use (from 0 to 29). You edit the file `/etc/path_to_inst` on each node and reset the instance numbers to 30.

- 5 Type the following command to reboot each node on which `/etc/path_to_inst` was modified:

```
# reboot -- -rv
```

## Checking the major and minor number for VxVM volumes

The following sections describe checking and changing, if necessary, the major and minor numbers for the VxVM volumes that cluster systems use.

### To check major and minor numbers on VxVM volumes

- 1 Place the VCS command directory in your path. For example:

```
# export PATH=$PATH:/usr/sbin:/sbin:/opt/VRTS/bin
```

- 2 To list the devices, use the `ls -lL block_device` command on each node:

```
# ls -lL /dev/vx/dsk/shareddg/vol3
```

On Node A, the output may resemble:

```
brw----- 1 root root 32,43000 Mar 22 16:4 1  
/dev/vx/dsk/shareddg/vol3
```

On Node B, the output may resemble:

```
brw----- 1 root root 36,43000 Mar 22 16:4 1  
/dev/vx/dsk/shareddg/vol3
```

- 3 Import the associated shared disk group on each node.

- 4 Use the following command on each node exporting an NFS file system. The command displays the major numbers for `vxio` and `vxspec` that Veritas Volume Manager uses. Note that other major numbers are also displayed, but only `vxio` and `vxspec` are of concern for reconciliation:

```
# grep vx /etc/name_to_major
```

Output on Node A:

```
vxdump 30
vxio 32
vxspec 33
vxfen 87
vxglm 91
```

Output on Node B:

```
vxdump 30
vxio 36
vxspec 37
vxfen 87
vxglm 91
```

- 5 To change Node B's major numbers for `vxio` and `vxspec` to match those of Node A, use the command:

```
haremajor -vx major_number_vxio major_number_vxspec
```

For example, enter:

```
# haremajor -vx 32 33
```

If the command succeeds, proceed to step 8. If this command fails, you receive a report similar to the following:

```
Error: Preexisting major number 32
These are available numbers on this system: 128...
Check /etc/name_to_major on all systems for
available numbers.
```

- 6 If you receive this report, use the `haremajor` command on Node A to change the major number (32/33) to match that of Node B (36/37). For example, enter:

```
# haremajor -vx 36 37
```

If the command fails again, you receive a report similar to the following:

```
Error: Preexisting major number 36
These are available numbers on this node: 126...
Check /etc/name_to_major on all systems for
available numbers.
```

- 7 If you receive the second report, choose the larger of the two available numbers (in this example, 128). Use this number in the `haremajor` command to reconcile the major numbers. Type the following command on both nodes:

```
# haremajor -vx 128 129
```

- 8 Reboot each node on which `haremajor` was successful.
- 9 If the minor numbers match, proceed to reconcile the major and minor numbers of your next NFS block device.
- 10 If the block device on which the minor number does not match is a volume, consult the `vxidg(1M)` manual page. The manual page provides instructions on reconciling the Veritas Volume Manager minor numbers, and gives specific reference to the `reminor` option.

Node where the `vxio` driver number have been changed require rebooting.

# Compatibility issues when installing Veritas Cluster Server with other products

This appendix includes the following topics:

- [Installing, uninstalling, or upgrading Storage Foundation products when other Veritas products are present](#)
- [Installing, uninstalling, or upgrading Storage Foundation products when VOM is already present](#)
- [Installing, uninstalling, or upgrading Storage Foundation products when NetBackup is already present](#)

## Installing, uninstalling, or upgrading Storage Foundation products when other Veritas products are present

Installing Storage Foundation when other Veritas products are installed can create compatibility issues. For example, installing Storage Foundation products when VOM, ApplicationHA, and NetBackup are present on the systems.

## Installing, uninstalling, or upgrading Storage Foundation products when VOM is already present

If you plan to install or upgrade Storage Foundation products on systems where VOM has already been installed, be aware of the following compatibility issues:

- When you install or upgrade Storage Foundation products where SFM or VOM Central Server is present, the installer skips the VRTSsfmh upgrade and leaves the SFM Central Server and Managed Host packages as is.
- When uninstalling Storage Foundation products where SFM or VOM Central Server is present, the installer does not uninstall VRTSsfmh.
- When you install or upgrade Storage Foundation products where SFM or VOM Managed Host is present, the installer gives warning messages that it will upgrade VRTSsfmh.

## Installing, uninstalling, or upgrading Storage Foundation products when NetBackup is already present

If you plan to install or upgrade Storage Foundation on systems where NetBackup has already been installed, be aware of the following compatibility issues:

- When you install or upgrade Storage Foundation products where NetBackup is present, the installer does not uninstall VRTSspb and VRTSicsco. It does not upgrade VRTSat.
- When you uninstall Storage Foundation products where NetBackup is present, the installer does not uninstall VRTSspb, VRTSicsco, and VRTSat.

# Index

## Symbols

/etc/litlab  
LLT directives 196

## A

abort sequence 63  
about  
    global clusters 25  
adding  
    ClusterService group 203  
    users 117  
adding node  
    to a one-node cluster 335  
attributes  
    UseFence 207

## B

block device  
    partitions  
        example file name 466  
    volumes  
        example file name 466  
bundled agents  
    types.cf file 199

## C

cables  
    cross-over Ethernet 347  
cluster  
    creating a single-node cluster  
        installer 428  
        manual 429  
    four-node configuration 22  
    removing a node from 358  
    verifying operation 312  
Cluster Manager 27  
    installing Java Console 300  
ClusterService group  
    adding manually 203

cold start  
    running VCS 24  
commands  
    format 62  
    gabconfig 198, 310  
    hastart 358  
    hastatus 312  
    hastop 328  
    hasys 312  
    litconfig 409  
    litstat 308  
    vxdisksetup (initializing disks) 127  
    vxlicinst 125–126, 185  
    vxlicrep 124, 187  
communication channels 23  
communication disk 23  
configuration files  
    types.cf 199  
configuring  
    GAB 198  
    hardware 33  
    LLT  
        manual 194  
    private network 55  
    rsh 58  
    ssh 58, 449  
    switches 55  
configuring VCS  
    adding users 117  
    event notification 118, 120  
    global clusters 122  
    required information 68  
    script-based installer 104  
    secure mode 112  
    starting 105  
controllers  
    private Ethernet 55  
    SCSI 59  
coordinator disks  
    DMP devices 30  
    for I/O fencing 30  
    setting up 205

- creating
  - Flash archive 191
  - post-deployment scripts 192

## D

- data disks
  - for I/O fencing 30
- demo key 187
- directives
  - LLT 196
- disk space
  - directories 33
  - language pack 33
  - required 33
- disks
  - adding and initializing 127
  - coordinator 205
  - testing with vxfcntlshdw 130
  - verifying node access 132
- documentation
  - accessing 299

## E

- eprom
  - parameters 55
- Ethernet controllers 55, 347

## F

- FC-AL controllers 62
- fibre channel 33
- flarcreate 191
- Flash archive 191
  - post-deployment scripts 192
- functions
  - go 63

## G

- GAB
  - description 23
  - manual configuration 198
  - port membership information 310
  - starting 202
  - verifying 310
- gabconfig command 198, 310
  - a (verifying GAB) 310
- gabtab file
  - creating 198
  - verifying after installation 409

- global clusters 25
  - configuration 122

## H

- hardware
  - configuration 22
  - configuring network and storage 33
- hastart 358
- hastatus -summary command 312
- hastop command 328
- hasys -display command 312
- hubs 55
  - independent 347

## I

- I/O fencing
  - checking disks 130
  - setting up 204
  - shared storage 130
- I/O fencing requirements
  - non-SCSI-3 38
- installer program
  - uninstalling language packages 322
- Installing
  - VCS with the Web-based installer 142
- installing
  - JumpStart 188
  - language packages 80
    - manually 185
  - manual 181
  - post 123
  - required disk space 33
  - simulator 303
- installing manually
  - Chinese language packages 184
  - Japanese language packages 184
- installing VCS
  - required information 68
- installvcs
  - options 42
- installvcs prompts
  - b 42
  - n 42
  - y 42

## J

- Japanese language packages 184

Java Console 27  
 installing 300  
 installing on UNIX 300

JumpStart  
 installing 188

## L

language packages 322  
 Chinese 184  
 disk space 33  
 Japanese 184

license keys  
 adding with vxlicinst 125, 185  
 obtaining 50  
 replacing demo key 126, 187

licenses  
 information about 124  
 showing information 187

links  
 private network 409

Live Upgrade  
 preparing 270  
 upgrade paths 268  
 upgrading Solaris on alternate boot disk 274

LLT  
 description 23  
 directives 196  
 interconnects 65  
 manual configuration 194  
 starting 201  
 verifying 308

LLT directives  
 link 196  
 link-lowpri 196  
 set-cluster 196  
 set-node 196

lltconfig command 409

llthosts file  
 verifying after installation 409

lltstat command 308

llttab file  
 verifying after installation 409

## M

MAC addresses 55  
 main.cf file  
 contents after installation 415  
 main.cf files 420

major and minor numbers  
 checking 467, 470  
 shared devices 466  
 MANPATH variable  
 setting 63  
 manual installation  
 preparing 180  
 media speed 65  
 optimizing 65  
 membership information 310  
 mounting  
 software disc 66

## N

network partition  
 preexisting 24  
 protecting against 22  
 Network partitions  
 protecting against 23  
 network switches 55  
 NFS 21  
 NFS services  
 shared storage 466  
 non-SCSI-3 fencing  
 manual configuration 221  
 setting up 221  
 non-SCSI-3 I/O fencing  
 requirements 38  
 non-SCSI3 fencing  
 setting up 135  
 using installvcs program 135

## O

optimizing  
 media speed 65  
 overview  
 VCS 21

## P

parameters  
 eeprom 55  
 PATH variable  
 setting 63  
 VCS commands 307  
 persistent reservations  
 SCSI-3 59  
 phased 237

- phased upgrade 237, 239
  - example 238
- port a
  - membership 310
- port h
  - membership 310
- port membership information 310
- post-deployment scripts 192
- preparing
  - Live Upgrade 270
  - manual installation 180
- prerequisites
  - uninstalling 319
- private network
  - configuring 55

## R

- RAM
  - installation requirement 33
- removing a system from a cluster 358
- requirements
  - Ethernet controllers 33
  - fibre channel 33
  - hardware 33
  - RAM Ethernet controllers 33
  - SCSI host bus adapter 33
- response files 44
- rolling upgrade 264
  - versions 262
- rsh 106, 449
  - configuration 58

## S

- script-based installer
  - VCS configuration overview 104
- SCSI driver
  - determining instance numbers 468
- SCSI host bus adapter 33
- SCSI-3
  - persistent reservations 59
- SCSI-3 persistent reservations
  - verifying 204
- seeding 24
  - automatic 24
  - manual 24
- setting
  - MANPATH variable 63
  - PATH variable 63

- shared storage
  - Fibre Channel
    - setting up 62
  - NFS services 466
- simulator
  - installing 303
- single-node cluster
  - adding a node to 335
- single-system cluster
  - creating 428–429
- SMTP email notification 118
- SNMP trap notification 120
- ssh 106, 449
  - configuration 58
  - configuring 449
- starting configuration
  - installvcs program 106
  - Veritas product installer 106
- starting VCS after manual upgrade 201
- storage
  - fully shared vs. distributed 22
  - setting up shared fibre 62
  - shared 22
- switches 55
- Symantec Product Authentication Service 112
- system communication using rsh
  - ssh 449
- system state attribute value 312

## T

- types.cf 199
  - bundled agents 199
- types.cf file 199

## U

- uninstalling
  - prerequisites 319
- uninstalling language packages 322
- upgrade
  - phased 237, 239
- upgrade paths
  - Live Upgrade 268
  - SPARC 229
  - x64 Platform Edition 229
- upgrading
  - phased 237
  - rolling 264
- using Live Upgrade 268

**V**

## variables

MANPATH 63

PATH 63

## VCS

basics 21

command directory path variable 307

configuration files

main.cf 413

configuring 104

coordinator disks 205

documentation 299

manually installing 181

notifications 25

replicated states on each system 22

starting 201–202

VCS features 25

VCS installation

verifying

cluster operations 307

GAB operations 307

LLT operations 307

VCS notifications

SMTP notification 25

SNMP notification 25

Veritas Operations Manager 26

Volume Manager

Fibre Channel 62

vxdisksetup command 127

vxlicinst command 125, 185

vxlicrep command 124, 187

**W**

Web-based installer 142