

# Veritas Storage Foundation™ and High Availability 6.0.1 Installation Guide - Solaris

# Veritas Storage Foundation™ and High Availability Installation Guide

The software described in this book is furnished under a license agreement and may be used only in accordance with the terms of the agreement.

Product version: 6.0.1

Document version: 6.0.1 Rev 7

## Legal Notice

Copyright © 2015 Symantec Corporation. All rights reserved.

Symantec, the Symantec Logo, the Checkmark Logo, Veritas, Veritas Storage Foundation, CommandCentral, NetBackup, Enterprise Vault, and LiveUpdate are trademarks or registered trademarks of Symantec Corporation or its affiliates in the U.S. and other countries. Other names may be trademarks of their respective owners.

The product described in this document is distributed under licenses restricting its use, copying, distribution, and decompilation/reverse engineering. No part of this document may be reproduced in any form by any means without prior written authorization of Symantec Corporation and its licensors, if any.

THE DOCUMENTATION IS PROVIDED "AS IS" AND ALL EXPRESS OR IMPLIED CONDITIONS, REPRESENTATIONS AND WARRANTIES, INCLUDING ANY IMPLIED WARRANTY OF MERCHANTABILITY, FITNESS FOR A PARTICULAR PURPOSE OR NON-INFRINGEMENT, ARE DISCLAIMED, EXCEPT TO THE EXTENT THAT SUCH DISCLAIMERS ARE HELD TO BE LEGALLY INVALID. SYMANTEC CORPORATION SHALL NOT BE LIABLE FOR INCIDENTAL OR CONSEQUENTIAL DAMAGES IN CONNECTION WITH THE FURNISHING, PERFORMANCE, OR USE OF THIS DOCUMENTATION. THE INFORMATION CONTAINED IN THIS DOCUMENTATION IS SUBJECT TO CHANGE WITHOUT NOTICE.

The Licensed Software and Documentation are deemed to be commercial computer software as defined in FAR 12.212 and subject to restricted rights as defined in FAR Section 52.227-19 "Commercial Computer Software - Restricted Rights" and DFARS 227.7202, "Rights in Commercial Computer Software or Commercial Computer Software Documentation", as applicable, and any successor regulations. Any use, modification, reproduction release, performance, display or disclosure of the Licensed Software and Documentation by the U.S. Government shall be solely in accordance with the terms of this Agreement.

Symantec Corporation  
350 Ellis Street  
Mountain View, CA 94043

<http://www.symantec.com>

# Technical Support

Symantec Technical Support maintains support centers globally. Technical Support's primary role is to respond to specific queries about product features and functionality. The Technical Support group also creates content for our online Knowledge Base. The Technical Support group works collaboratively with the other functional areas within Symantec to answer your questions in a timely fashion. For example, the Technical Support group works with Product Engineering and Symantec Security Response to provide alerting services and virus definition updates.

Symantec's support offerings include the following:

- A range of support options that give you the flexibility to select the right amount of service for any size organization
- Telephone and/or Web-based support that provides rapid response and up-to-the-minute information
- Upgrade assurance that delivers software upgrades
- Global support purchased on a regional business hours or 24 hours a day, 7 days a week basis
- Premium service offerings that include Account Management Services

For information about Symantec's support offerings, you can visit our website at the following URL:

[www.symantec.com/business/support/index.jsp](http://www.symantec.com/business/support/index.jsp)

All support services will be delivered in accordance with your support agreement and the then-current enterprise technical support policy.

## Contacting Technical Support

Customers with a current support agreement may access Technical Support information at the following URL:

[www.symantec.com/business/support/contact\\_techsupp\\_static.jsp](http://www.symantec.com/business/support/contact_techsupp_static.jsp)

Before contacting Technical Support, make sure you have satisfied the system requirements that are listed in your product documentation. Also, you should be at the computer on which the problem occurred, in case it is necessary to replicate the problem.

When you contact Technical Support, please have the following information available:

- Product release level
- Hardware information

- Available memory, disk space, and NIC information
- Operating system
- Version and patch level
- Network topology
- Router, gateway, and IP address information
- Problem description:
  - Error messages and log files
  - Troubleshooting that was performed before contacting Symantec
  - Recent software configuration changes and network changes

## Licensing and registration

If your Symantec product requires registration or a license key, access our technical support Web page at the following URL:

[www.symantec.com/business/support/](http://www.symantec.com/business/support/)

## Customer service

Customer service information is available at the following URL:

[www.symantec.com/business/support/](http://www.symantec.com/business/support/)

Customer Service is available to assist with non-technical questions, such as the following types of issues:

- Questions regarding product licensing or serialization
- Product registration updates, such as address or name changes
- General product information (features, language availability, local dealers)
- Latest information about product updates and upgrades
- Information about upgrade assurance and support contracts
- Information about the Symantec Buying Programs
- Advice about Symantec's technical support options
- Nontechnical presales questions
- Issues that are related to CD-ROMs or manuals

## Support agreement resources

If you want to contact Symantec regarding an existing support agreement, please contact the support agreement administration team for your region as follows:

|                                 |  |
|---------------------------------|--|
| Asia-Pacific and Japan          | <a href="mailto:customercare_apac@symantec.com">customercare_apac@symantec.com</a> |
| Europe, Middle-East, and Africa | <a href="mailto:semea@symantec.com">semea@symantec.com</a>                         |
| North America and Latin America | <a href="mailto:supportsolutions@symantec.com">supportsolutions@symantec.com</a>   |

## Documentation

Product guides are available on the media in PDF format. Make sure that you are using the current version of the documentation. The document version appears on page 2 of each guide. The latest product documentation is available on the Symantec website.

<https://sort.symantec.com/documents>

Your feedback on product documentation is important to us. Send suggestions for improvements and reports on errors or omissions. Include the title and document version (located on the second page), and chapter and section titles of the text on which you are reporting. Send feedback to:

[doc\\_feedback@symantec.com](mailto:doc_feedback@symantec.com)

For information regarding the latest HOWTO articles, documentation updates, or to ask a question regarding product documentation, visit the Storage and Clustering Documentation forum on Symantec Connect.

<https://www-secure.symantec.com/connect/storage-management/forums/storage-and-clustering-documentation>

## About Symantec Connect

Symantec Connect is the peer-to-peer technical community site for Symantec's enterprise customers. Participants can connect and share information with other product users, including creating forum posts, articles, videos, downloads, blogs and suggesting ideas, as well as interact with Symantec product teams and Technical Support. Content is rated by the community, and members receive reward points for their contributions.

<http://www.symantec.com/connect/storage-management>

# Contents

|   |    |
|---|----|
| Technical Support .....   | 4  |
| Section 1      Installation overview and planning .....                               | 21 |
| Chapter 1      Introducing Storage Foundation and High<br>Availability .....          | 22 |
| About Veritas products .....  | 22 |
| About Storage Foundation and High Availability .....                                  | 22 |
| About Veritas Cluster Server .....  | 23 |
| About Veritas high availability agents .....  | 23 |
| About Veritas Replicator Option .....   | 23 |
| About Veritas Storage Foundation Cluster File System .....                            | 23 |
| About Storage Foundation and High Availability .....                                  | 24 |
| About Veritas Storage Foundation for Oracle® RAC .....                                | 24 |
| About Veritas graphical user interfaces .....   | 24 |
| About Veritas Operations Manager .....  | 24 |
| About Storage Foundation and High Availability features .....                         | 25 |
| About LLT and GAB .....   | 25 |
| About configuring SFHA clusters for data integrity .....                              | 26 |
| About I/O fencing for SFHA in virtual machines that do not support<br>SCSI-3 PR ..... | 27 |
| About I/O fencing components .....  | 27 |
| About global clusters .....   | 29 |
| Chapter 2      System requirements .....  | 30 |
| Release notes .....   | 30 |
| Hardware compatibility list (HCL) .....   | 31 |
| Supported operating systems .....   | 31 |
| Veritas File System requirements .....  | 31 |
| Disk space requirements .....   | 32 |
| Discovering product versions and various requirement<br>information .....             | 33 |
| Database requirements .....   | 33 |
| I/O fencing requirements .....  | 33 |

|           |  |    |
|-----------|--|----|
|           | Coordinator disk requirements for I/O fencing .....                        | 34 |
|           | CP server requirements .....   | 34 |
|           | Non-SCSI-3 I/O fencing requirements .....                                  | 37 |
|           | Number of nodes supported .....  | 38 |
| Chapter 3 | Planning to install SFHA .....   | 39 |
|           | About installation and configuration methods for SFHA .....                | 39 |
|           | About response files .....   | 40 |
|           | About the Veritas installer .....  | 40 |
|           | Downloading the Storage Foundation and High Availability<br>software ..... | 42 |
|           | About the VRTSspt package troubleshooting tools .....                      | 44 |
| Chapter 4 | Licensing SFHA .....   | 45 |
|           | About Veritas product licensing .....                                      | 45 |
|           | Setting or changing the product level for keyless licensing .....          | 46 |
|           | Installing Veritas product license keys .....                              | 48 |
| Section 2 | Preinstallation tasks .....  | 49 |
| Chapter 5 | Preparing to install Storage Foundation High<br>Availability .....         | 50 |
|           | Installation preparation overview .....                                    | 50 |
|           | About using ssh or rsh with the Veritas installer .....                    | 51 |
|           | Setting up shared storage .....  | 52 |
|           | Setting up shared storage: SCSI disks .....                                | 52 |
|           | Setting up shared storage: Fibre Channel .....                             | 55 |
|           | Creating root user .....   | 56 |
|           | Creating the /opt directory .....  | 57 |
|           | Setting environment variables .....  | 57 |
|           | Mounting the product disc .....  | 57 |
|           | Assessing the system for installation readiness .....                      | 58 |
|           | About Symantec Operations Readiness Tools .....                            | 58 |
|           | Prechecking your systems using the Veritas installer .....                 | 59 |
|           | Making the IPS publisher accessible .....                                  | 60 |



|           |   |     |
|-----------|---|-----|
| Section 3 | Installation using the script-based installer .....   | 62  |
| Chapter 6 | Installing SFHA .....   | 63  |
|           | Installing Storage Foundation and High Availability using the installer .....                 | 63  |
|           | Installing language packages .....  | 66  |
| Chapter 7 | Preparing to configure SFHA clusters for data integrity .....                                 | 67  |
|           | About planning to configure I/O fencing .....   | 67  |
|           | Typical SF HA cluster configuration with server-based I/O fencing .....                       | 71  |
|           | Recommended CP server configurations .....  | 72  |
|           | Setting up the CP server .....  | 75  |
|           | Planning your CP server setup .....   | 75  |
|           | Installing the CP server using the installer .....  | 76  |
|           | Configuring the CP server cluster in secure mode .....  | 77  |
|           | Setting up shared storage for the CP server database .....                                    | 78  |
|           | Configuring the CP server using the installer program .....                                   | 79  |
|           | Configuring the CP server manually .....  | 88  |
|           | Configuring CP server using response files .....  | 90  |
|           | Verifying the CP server configuration .....   | 94  |
|           | Configuring the CP server using the Web-based installer .....                                 | 94  |
| Chapter 8 | Configuring SFHA .....  | 96  |
|           | Configuring Storage Foundation High Availability using the installer .....                    | 96  |
|           | Overview of tasks to configure SFHA using the script-based installer .....                    | 96  |
|           | Required information for configuring Storage Foundation and High Availability Solutions ..... | 97  |
|           | Starting the software configuration .....   | 98  |
|           | Specifying systems for configuration .....  | 99  |
|           | Configuring the cluster name .....  | 100 |
|           | Configuring private heartbeat links .....   | 100 |
|           | Configuring the virtual IP of the cluster .....   | 103 |
|           | Configuring Storage Foundation and High Availability in secure mode .....                     | 104 |
|           | Configuring a secure cluster node by node .....   | 105 |

|            |   |     |
|------------|---|-----|
|            | Adding VCS users .....  | 109 |
|            | Configuring SMTP email notification .....   | 110 |
|            | Configuring SNMP trap notification .....  | 111 |
|            | Configuring global clusters .....   | 113 |
|            | Completing the SFHA configuration .....   | 114 |
|            | Verifying and updating licenses on the system .....   | 115 |
| Chapter 9  | Configuring SFHA clusters for data integrity .....  | 118 |
|            | Setting up disk-based I/O fencing using installsfha .....   | 118 |
|            | Initializing disks as VxVM disks .....  | 118 |
|            | Checking shared disks for I/O fencing .....   | 119 |
|            | Configuring disk-based I/O fencing using installsfha .....  | 123 |
|            | Setting up server-based I/O fencing using installsfha .....                                       | 126 |
|            | Setting up non-SCSI-3 server-based I/O fencing in virtual environments<br>using installsfha ..... | 134 |
|            | Enabling or disabling the preferred fencing policy .....  | 136 |
| Section 4  | Installation using the Web-based<br>installer .....   | 139 |
| Chapter 10 | Installing SFHA .....   | 140 |
|            | About the Web-based installer .....   | 140 |
|            | Before using the Veritas Web-based installer .....  | 141 |
|            | Starting the Veritas Web-based installer .....  | 141 |
|            | Obtaining a security exception on Mozilla Firefox .....   | 142 |
|            | Performing a pre-installation check with the Veritas Web-based<br>installer .....                 | 143 |
|            | Setting installer options with the Web-based installer .....                                      | 143 |
|            | Installing SFHA with the Web-based installer .....  | 144 |
| Chapter 11 | Configuring SFHA .....  | 146 |
|            | Configuring SFHA using the Web-based installer .....  | 146 |
|            | Configuring SFHA for data integrity using the Web-based<br>installer .....                        | 151 |

|            |   |     |
|------------|---|-----|
| Section 5  | Automated installation using response files .....                                   | 159 |
| Chapter 12 | Performing an automated SFHA installation .....                                     | 160 |
|            | Installing SFHA using response files .....  | 160 |
|            | Response file variables to install Storage Foundation and High Availability .....   | 161 |
|            | Sample response file for SFHA install .....   | 163 |
| Chapter 13 | Performing an automated SFHA configuration .....                                    | 165 |
|            | Configuring SFHA using response files .....   | 165 |
|            | Response file variables to configure Storage Foundation and High Availability ..... | 166 |
|            | Sample response file for SFHA configuration .....                                   | 175 |
| Chapter 14 | Performing an automated I/O fencing configuration using response files .....        | 176 |
|            | Configuring I/O fencing using response files .....                                  | 176 |
|            | Response file variables to configure disk-based I/O fencing .....                   | 177 |
|            | Sample response file for configuring disk-based I/O fencing .....                   | 180 |
|            | Response file variables to configure server-based I/O fencing .....                 | 181 |
|            | Sample response file for configuring server-based I/O fencing .....                 | 182 |
|            | Sample response file for configuring non-SCSI-3 server-based I/O fencing .....      | 183 |
|            | Response file variables to configure non-SCSI-3 server-based I/O fencing .....      | 183 |
| Section 6  | Installation using operating system-specific methods .....                          | 185 |
| Chapter 15 | Installing SFHA using operating system-specific methods .....                       | 186 |
|            | Installing SFHA on Solaris 11 using Automated Installer .....                       | 186 |
|            | About Automated Installation .....  | 187 |
|            | Using Automated Installer .....   | 187 |
|            | Using AI to install the Solaris 11 operating system and SFHA products .....         | 188 |

|            |   |     |
|------------|---|-----|
|            | Manually installing packages on Solaris brand non-global zones .....                          | 193 |
|            | Manually installing packages on solaris10 brand zones .....                                   | 195 |
|            | Installing SFHA on Solaris 10 using JumpStart .....   | 195 |
|            | Overview of JumpStart installation tasks .....  | 195 |
|            | Generating the finish scripts .....   | 196 |
|            | Preparing installation resources .....  | 197 |
|            | Adding language pack information to the finish file .....                                     | 198 |
|            | Using a Flash archive to install SFHA and the operating<br>system .....                       | 199 |
|            | Creating the Veritas post-deployment scripts .....  | 200 |
|            | Installing SFHA using the system command .....  | 201 |
| Chapter 16 | Configuring SFHA clusters for data integrity using<br>operating system-specific methods ..... | 204 |
|            | Setting up disk-based I/O fencing manually .....  | 204 |
|            | Removing permissions for communication .....  | 205 |
|            | Identifying disks to use as coordinator disks .....   | 205 |
|            | Setting up coordinator disk groups .....  | 206 |
|            | Creating I/O fencing configuration files .....  | 206 |
|            | Modifying VCS configuration to use I/O fencing .....  | 207 |
|            | Verifying I/O fencing configuration .....   | 209 |
|            | Setting up server-based I/O fencing manually .....  | 210 |
|            | Preparing the CP servers manually for use by the SF HA<br>cluster .....                       | 211 |
|            | Configuring server-based fencing on the SF HA cluster<br>manually .....                       | 214 |
|            | Configuring CoordPoint agent to monitor coordination points .....                             | 215 |
|            | Verifying server-based I/O fencing configuration .....  | 217 |
|            | Setting up non-SCSI-3 fencing in virtual environments manually .....                          | 218 |
|            | Sample /etc/vxfenmode file for non-SCSI-3 fencing .....                                       | 220 |
| Section 7  | Upgrade of SFHA .....   | 224 |
| Chapter 17 | Planning to upgrade SFHA .....  | 225 |
|            | Upgrade methods for SFHA .....  | 225 |
|            | Supported upgrade paths for SFHA 6.0.1 .....  | 226 |
|            | About using the installer to upgrade when the root disk is<br>encapsulated .....              | 228 |
|            | Preparing to upgrade SFHA .....   | 229 |
|            | Getting ready for the upgrade .....   | 229 |
|            | Creating backups .....  | 231 |

|            |   |     |
|------------|---|-----|
|            | Tasks for upgrading the Storage Foundation for Databases (SFDB) .....   | 232 |
|            | Determining if the root disk is encapsulated .....  | 232 |
|            | Pre-upgrade tasks for migrating the SFDB repository database .....  | 233 |
|            | Pre-upgrade planning for Veritas Volume Replicator .....  | 233 |
|            | Preparing to upgrade VVR when VCS agents are configured .....   | 236 |
|            | Verifying that the file systems are clean .....   | 240 |
|            | Upgrading the array support .....   | 241 |
| Chapter 18 | Upgrading Storage Foundation and High Availability .....  | 243 |
|            | Upgrading Storage Foundation and High Availability with the product installer when OS upgrade is not required ..... | 243 |
|            | Upgrading Storage Foundation and High Availability to 6.0.1 using the product installer or manual steps .....       | 247 |
|            | Upgrading Storage Foundation and High Availability with the product installer .....                                 | 248 |
|            | Upgrading Storage Foundation and High Availability using manual steps .....   | 250 |
|            | Upgrading Veritas Storage Foundation to 6.0.1 using upgrade scripts (OS upgrade) .....                              | 253 |
|            | Upgrading Storage Foundation and High Availability using the Veritas Web-based installer .....                      | 256 |
|            | Upgrading the Solaris operating system .....  | 257 |
|            | Upgrading Veritas Volume Replicator .....   | 260 |
|            | Upgrading VVR without disrupting replication .....  | 260 |
|            | Upgrading language packages .....   | 262 |
| Chapter 19 | Performing a rolling upgrade of SFHA .....  | 263 |
|            | About rolling upgrades .....  | 263 |
|            | Supported rolling upgrade paths .....   | 266 |
|            | Performing a rolling upgrade using the script-based installer .....   | 266 |
|            | Performing a rolling upgrade of SFHA using the Web-based installer .....  | 268 |
| Chapter 20 | Performing a phased upgrade of SFHA .....   | 271 |
|            | About phased upgrade .....  | 271 |
|            | Prerequisites for a phased upgrade .....  | 271 |
|            | Planning for a phased upgrade .....   | 272 |
|            | Phased upgrade limitations .....  | 272 |

|            |  |     |
|------------|--|-----|
|            | Phased upgrade example .....   | 272 |
|            | Phased upgrade example overview .....  | 273 |
|            | Performing a phased upgrade .....  | 274 |
|            | Moving the service groups to the second subcluster .....                             | 274 |
|            | Upgrading the operating system on the first subcluster .....                         | 278 |
|            | Upgrading the first subcluster .....   | 278 |
|            | Preparing the second subcluster .....  | 279 |
|            | Activating the first subcluster .....  | 284 |
|            | Upgrading the operating system on the second subcluster .....                        | 285 |
|            | Upgrading the second subcluster .....  | 286 |
|            | Finishing the phased upgrade .....   | 286 |
| Chapter 21 | Performing an automated SFHA upgrade using<br>response files .....                   | 290 |
|            | Upgrading SFHA using response files .....  | 290 |
|            | Response file variables to upgrade Storage Foundation and High<br>Availability ..... | 291 |
|            | Sample response file for SFHA upgrade .....  | 292 |
| Chapter 22 | Upgrading SFHA using Live Upgrade .....  | 293 |
|            | About Live Upgrade .....   | 293 |
|            | About Live Upgrade in a Veritas Volume Replicator (VVR)<br>environment .....         | 294 |
|            | Supported upgrade paths for Live Upgrade .....                                       | 295 |
|            | Performing Live Upgrade in a Solaris zone environment .....                          | 296 |
|            | Before you upgrade SFHA using Solaris Live Upgrade .....                             | 296 |
|            | Upgrading SFHA and Solaris using Live Upgrade .....                                  | 297 |
|            | Creating a new boot environment on the alternate boot disk .....                     | 298 |
|            | Upgrading SFHA using the installer for a Live Upgrade .....                          | 302 |
|            | Completing the Live Upgrade .....  | 302 |
|            | Verifying Live Upgrade of SFHA .....   | 304 |
|            | Upgrading Solaris using Live Upgrade .....   | 304 |
|            | Removing and reinstalling SFHA using the installer .....                             | 305 |
|            | Upgrading SFHA using Live Upgrade .....  | 306 |
|            | Administering boot environments .....  | 306 |
|            | Reverting to the primary boot environment .....                                      | 306 |
|            | Switching the boot environment for Solaris SPARC .....                               | 307 |
|            | Switching the boot environment for Solaris x86-64 .....                              | 308 |

|            |   |     |
|------------|---|-----|
| Chapter 23 | Performing post-upgrade tasks .....   | 311 |
|            | Optional configuration steps .....  | 311 |
|            | Re-joining the backup boot disk group into the current disk group .....                 | 312 |
|            | Reverting to the backup boot disk group after an unsuccessful<br>upgrade .....          | 312 |
|            | Post upgrade tasks for migrating the SFDB repository database .....                     | 313 |
|            | Migrating from a 5.0 repository database to 6.0.1 .....                                 | 313 |
|            | Migrating from a 5.1 or higher repository database to 6.0.1 .....                       | 316 |
|            | After upgrading from 5.0.x and before migrating SFDB .....                              | 318 |
|            | Recovering VVR if automatic upgrade fails .....   | 318 |
|            | Post-upgrade tasks when VCS agents for VVR are configured .....                         | 318 |
|            | Unfreezing the service groups .....   | 319 |
|            | Restoring the original configuration when VCS agents are<br>configured .....            | 320 |
|            | Upgrading disk layout versions .....  | 321 |
|            | Upgrading VxVM disk group versions .....  | 322 |
|            | Updating variables .....  | 323 |
|            | Setting the default disk group .....  | 323 |
|            | Upgrading the Array Support Library .....   | 323 |
|            | Adding JBOD support for storage arrays for which there is not an<br>ASL available ..... | 323 |
|            | Unsuppressing DMP for EMC PowerPath disks .....   | 324 |
|            | Converting from QuickLog to Multi-Volume support .....                                  | 332 |
|            | About enabling LDAP authentication for clusters that run in secure<br>mode .....        | 334 |
|            | Enabling LDAP authentication for clusters that run in secure<br>mode .....              | 336 |
|            | Verifying the Storage Foundation and High Availability upgrade .....                    | 341 |
| Section 8  | Post-installation tasks .....   | 342 |
| Chapter 24 | Performing post-installation tasks .....  | 343 |
|            | Changing root user into root role .....   | 343 |
| Chapter 25 | Verifying the SFHA installation .....   | 344 |
|            | Performing a postcheck on a node .....  | 344 |
|            | Verifying that the products were installed .....  | 345 |
|            | Installation log files .....  | 345 |
|            | Using the installation log file .....   | 345 |
|            | Using the summary file .....  | 345 |
|            | Starting and stopping processes for the Veritas products .....                          | 346 |

|                   |  |            |
|-------------------|--|------------|
|                   | Checking Veritas Volume Manager processes .....  | 346        |
|                   | Checking Veritas File System installation .....  | 347        |
|                   | Verifying Veritas File System kernel installation .....  | 347        |
|                   | Verifying command installation .....   | 347        |
|                   | Verifying the LLT, GAB, and VCS configuration files .....  | 348        |
|                   | Verifying LLT, GAB, and cluster operation .....  | 348        |
|                   | Verifying LLT .....  | 349        |
|                   | Verifying the cluster .....  | 351        |
|                   | Verifying the cluster nodes .....  | 352        |
| <b>Section 9</b>  | <b>Uninstallation of SFHA .....</b>  | <b>356</b> |
| <b>Chapter 26</b> | <b>Uninstalling Storage Foundation and High Availability .....</b>   | <b>357</b> |
|                   | About removing Storage Foundation and High Availability .....  | 357        |
|                   | Preparing to uninstall .....   | 358        |
|                   | Preparing to remove Veritas Volume Manager .....   | 358        |
|                   | Preparing to remove Veritas File System .....  | 366        |
|                   | Disabling VCS agents for VVR the agents on a system .....  | 367        |
|                   | Removing the Replicated Data Set .....   | 368        |
|                   | Uninstalling SFHA packages using the script-based installer .....  | 369        |
|                   | Uninstalling SFHA with the Veritas Web-based installer .....   | 371        |
|                   | Uninstalling Storage Foundation and High Availability using the pkgm<br>or pkg uninstall command .....       | 372        |
|                   | Uninstalling the language packages using the pkgm command ...<br>3                    7                    3 |            |
|                   | Removing the CP server configuration using the installer<br>program .....                                    | 373        |
|                   | Removing the Storage Foundation for Databases (SFDB) repository<br>after removing the product .....          | 375        |
| <b>Chapter 27</b> | <b>Uninstalling SFHA using response files .....</b>  | <b>378</b> |
|                   | Uninstalling SFHA using response files .....   | 378        |
|                   | Response file variables to uninstall Storage Foundation and High<br>Availability .....                       | 379        |
|                   | Sample response file for SFHA uninstallation .....   | 380        |



|            |  |     |
|------------|--|-----|
| Section 10 | Adding and removing nodes .....  | 381 |
| Chapter 28 | Adding a node to SFHA clusters .....   | 382 |
|            | About adding a node to a cluster .....   | 382 |
|            | Before adding a node to a cluster .....  | 383 |
|            | Adding a node to a cluster using the SFHA installer .....                                      | 385 |
|            | Adding a node using the Web-based installer .....  | 388 |
|            | Adding the node to a cluster manually .....  | 389 |
|            | Starting Veritas Volume Manager (VxVM) on the new node .....                                   | 390 |
|            | Configuring cluster processes on the new node .....  | 390 |
|            | Setting up the node to run in secure mode .....  | 392 |
|            | Starting fencing on the new node .....   | 393 |
|            | Configuring server-based fencing on the new node .....   | 393 |
|            | Adding the new node to the vxfen service group .....   | 394 |
|            | After adding the new node .....  | 395 |
|            | Updating the Storage Foundation for Databases (SFDB) repository<br>after adding a node .....   | 395 |
| Chapter 29 | Removing a node from SFHA clusters .....   | 396 |
|            | Removing a node from a SFHA cluster .....  | 396 |
|            | Verifying the status of nodes and service groups .....   | 397 |
|            | Deleting the departing node from SFHA configuration .....                                      | 398 |
|            | Modifying configuration files on each remaining node .....                                     | 401 |
|            | Removing the node configuration from the CP server .....                                       | 402 |
|            | Removing security credentials from the leaving node .....                                      | 403 |
|            | Unloading LLT and GAB and removing VCS on the departing<br>node .....                          | 403 |
|            | Updating the Storage Foundation for Databases (SFDB) repository<br>after removing a node ..... | 405 |
| Section 11 | Installation reference .....   | 407 |
| Appendix A | SFHA services and ports .....  | 408 |
|            | About SFHA services and ports .....  | 408 |
| Appendix B | Installation scripts .....   | 411 |
|            | Installation script options .....  | 411 |
|            | About using the postcheck option .....   | 416 |

|            |  |     |
|------------|--|-----|
| Appendix C | Tunable files for installation .....   | 419 |
|            | About setting tunable parameters using the installer or a response<br>file .....                       | 419 |
|            | Setting tunables for an installation, configuration, or upgrade .....                                  | 420 |
|            | Setting tunables with no other installer-related operations .....                                      | 421 |
|            | Setting tunables with an un-integrated response file .....   | 422 |
|            | Preparing the tunables file .....  | 423 |
|            | Setting parameters for the tunables file .....   | 423 |
|            | Tunables value parameter definitions .....   | 424 |
| Appendix D | Configuration files .....  | 431 |
|            | About the LLT and GAB configuration files .....  | 431 |
|            | About the AMF configuration files .....  | 434 |
|            | About the VCS configuration files .....  | 435 |
|            | Sample main.cf file for VCS clusters .....   | 437 |
|            | Sample main.cf file for global clusters .....  | 438 |
|            | About I/O fencing configuration files .....  | 440 |
|            | Sample configuration files for CP server .....   | 442 |
|            | Sample main.cf file for CP server hosted on a single node that<br>runs VCS .....                       | 443 |
|            | Sample main.cf file for CP server hosted on a two-node SFHA<br>cluster .....                           | 445 |
|            | Sample CP server configuration (/etc/vxcps.conf) file output .....                                     | 448 |
| Appendix E | Configuring the secure shell or the remote shell for<br>communications .....                           | 449 |
|            | About configuring secure shell or remote shell communication modes<br>before installing products ..... | 449 |
|            | Manually configuring and passwordless ssh .....  | 450 |
|            | Restarting the ssh session .....   | 454 |
|            | Enabling and disabling rsh for Solaris .....   | 455 |
| Appendix F | Storage Foundation and High Availability<br>components .....   | 457 |
|            | Storage Foundation and High Availability installation packages .....                                   | 457 |
|            | Veritas Cluster Server installation packages .....   | 460 |
|            | Chinese language packages .....  | 461 |
|            | Japanese language packages .....   | 461 |
|            | Veritas Storage Foundation obsolete and reorganized installation<br>packages .....                     | 462 |

|            |   |     |
|------------|---|-----|
| Appendix G | Troubleshooting installation issues .....   | 466 |
|            | Restarting the installer after a failed connection .....                                      | 466 |
|            | What to do if you see a licensing reminder .....  | 466 |
|            | Incorrect permissions for root on remote system .....   | 467 |
|            | Inaccessible system .....   | 468 |
|            | Troubleshooting the webinstaller .....  | 469 |
| Appendix H | Troubleshooting cluster installation .....  | 470 |
|            | Unmount failures .....  | 470 |
|            | Command failures .....  | 470 |
|            | Installer cannot create UUID for the cluster .....  | 471 |
|            | The vxfentsthdw utility fails when SCSI TEST UNIT READY command<br>fails .....                | 471 |
|            | Troubleshooting CP server .....   | 472 |
|            | Troubleshooting issues related to the CP server service<br>group .....                        | 473 |
|            | Checking the connectivity of CP server .....  | 473 |
|            | Troubleshooting server-based fencing on the SFHA cluster<br>nodes .....                       | 473 |
|            | Issues during fencing startup on SF HA cluster nodes set up for<br>server-based fencing ..... | 474 |
|            | Issues during online migration of coordination points .....                                   | 474 |
|            | Vxfen service group activity after issuing the vxfenswap<br>command .....                     | 475 |
| Appendix I | Sample SF HA cluster setup diagrams for CP<br>server-based I/O fencing .....                  | 476 |
|            | Configuration diagrams for setting up server-based I/O fencing .....                          | 476 |
|            | Two unique client clusters served by 3 CP servers .....                                       | 476 |
|            | Client cluster served by highly available CPS and 2 SCSI-3<br>disks .....                     | 477 |
|            | Two node campus cluster served by remote CP server and 2<br>SCSI-3 disks .....                | 478 |
|            | Multiple client clusters served by highly available CP server and<br>2 SCSI-3 disks .....     | 480 |
| Appendix J | Reconciling major/minor numbers for NFS shared<br>disks .....                                 | 481 |
|            | Reconciling major/minor numbers for NFS shared disks .....                                    | 481 |
|            | Checking major and minor numbers for disk partitions .....                                    | 482 |

|             |   |     |
|-------------|---|-----|
|             | Checking the major and minor number for VxVM volumes .....  | 485 |
| Appendix K  | Configuring LLT over UDP .....  | 488 |
|             | Using the UDP layer for LLT .....   | 488 |
|             | When to use LLT over UDP .....  | 488 |
|             | Manually configuring LLT over UDP using IPv4 .....  | 488 |
|             | Broadcast address in the /etc/lfttab file .....   | 489 |
|             | The link command in the /etc/lfttab file .....  | 490 |
|             | The set-addr command in the /etc/lfttab file .....  | 490 |
|             | Selecting UDP ports .....   | 491 |
|             | Configuring the netmask for LLT .....   | 492 |
|             | Configuring the broadcast address for LLT .....   | 492 |
|             | Sample configuration: direct-attached links .....   | 493 |
|             | Sample configuration: links crossing IP routers .....   | 495 |
|             | Using the UDP layer of IPv6 for LLT .....   | 497 |
|             | When to use LLT over UDP .....  | 498 |
|             | Manually configuring LLT over UDP using IPv6 .....  | 498 |
|             | Sample configuration: direct-attached links .....   | 498 |
|             | Sample configuration: links crossing IP routers .....   | 500 |
| Appendix L  | Compatibility issues when installing Storage<br>Foundation High Availability with other<br>products .....           | 503 |
|             | Installing, uninstalling, or upgrading Storage Foundation products when<br>other Veritas products are present ..... | 503 |
|             | Installing, uninstalling, or upgrading Storage Foundation products when<br>VOM is already present .....             | 504 |
|             | Installing, uninstalling, or upgrading Storage Foundation products when<br>NetBackup is already present .....       | 504 |
| Index ..... |   | 505 |

# Installation overview and planning

- [Chapter 1. Introducing Storage Foundation and High Availability](#)
- [Chapter 2. System requirements](#)
- [Chapter 3. Planning to install SFHA](#)
- [Chapter 4. Licensing SFHA](#)

# Introducing Storage Foundation and High Availability

This chapter includes the following topics:

- [About Veritas products](#)
- [About Veritas graphical user interfaces](#)
- [About Storage Foundation and High Availability features](#)

## About Veritas products

The following products are available for this release.

### About Storage Foundation and High Availability

Veritas Storage Foundation by Symantec includes Veritas File System by Symantec (VxFS) and Veritas Volume Manager by Symantec (VxVM) with various feature levels.

Veritas File System is a high-performance journaling file system that provides easy management and quick-recovery for applications. Veritas File System delivers scalable performance, continuous availability, increased I/O throughput, and structural integrity.

Veritas Volume Manager removes the physical limitations of disk storage. You can configure, share, manage, and optimize storage I/O performance online without interrupting data availability. Veritas Volume Manager also provides easy-to-use, online storage management tools to reduce downtime.

You add high availability functionality to Storage Foundation HA by installing Veritas Cluster Server software.

VxFS and VxVM are a part of all Veritas Storage Foundation products. Do not install or update VxFS or VxVM as individual components.

## About Veritas Storage Foundation Basic

Storage Foundation Basic supports all Storage Foundation Standard features, however, there are deployment and technical support limitations.

## About Veritas Cluster Server

Veritas Cluster Server by Symantec (VCS) is a clustering solution that provides the following benefits:

- Reduces application downtime
- Facilitates the consolidation and the failover of servers
- Manages a range of applications in heterogeneous environments

## About Veritas high availability agents

Veritas agents provide high availability for specific resources and applications. Each agent manages resources of a particular type. For example, the Oracle agent manages Oracle databases. Agents typically start, stop, and monitor resources and report state changes.

## About Veritas Replicator Option

Veritas Replicator Option is an optional, separately-licensable feature.

Veritas Volume Replicator replicates data to remote locations over any standard IP network to provide continuous data availability.

This option is available with Storage Foundation for Oracle RAC, Storage Foundation Cluster File System, and Storage Foundation Standard and Enterprise products.

Before installing this option, read the Release Notes for the product.

To install the option, follow the instructions in the Installation Guide for the product.

## About Veritas Storage Foundation Cluster File System

Veritas Storage Foundation Cluster File System by Symantec extends Veritas File System and Veritas Volume Manager to support shared data in a storage area network (SAN) environment. Using Storage Foundation Cluster File System, multiple

servers can concurrently access shared storage and files transparently to applications.

Storage Foundation Cluster File System HA adds the failover functionality of Veritas Cluster Server. This functionality can protect everything from a single critical database instance to very large multiple-application clusters in networked environments. Veritas Storage Foundation Cluster File System also provides increased automation and intelligent management of availability and performance.

You can license Veritas Volume Replicator with this product.

## About Storage Foundation and High Availability

The solution stack comprises the Veritas Cluster Server (VCS), Veritas Cluster Volume Manager (CVM), Veritas Cluster File System (CFS), and Veritas Storage Foundation, which includes the base Veritas Volume Manager (VxVM) and Veritas File System (VxFS).

## About Veritas Storage Foundation for Oracle® RAC

Veritas Storage Foundation for Oracle® RAC by Symantec is an integrated suite of Veritas storage management and high-availability software. The software is engineered to improve performance, availability, and manageability of Real Application Cluster (RAC) environments. Certified by Oracle Corporation, Veritas Storage Foundation for Oracle RAC delivers a flexible solution that makes it easy to deploy and manage RAC.

You can license Veritas Volume Replicator with this product.

## About Veritas graphical user interfaces

The following are descriptions of Veritas GUIs.

### About Veritas Operations Manager

Veritas Operations Manager provides a centralized management console for Veritas Storage Foundation and High Availability products. You can use Veritas Operations Manager to monitor, visualize, and manage storage resources and generate reports.

Symantec recommends using Veritas Operations Manager (VOM) to manage Storage Foundation and Cluster Server environments.

You can download Veritas Operations Manager at no charge at <http://go.symantec.com/vom>.



Refer to the Veritas Operations Manager documentation for installation, upgrade, and configuration instructions.

The Veritas Enterprise Administrator (VEA) console is no longer packaged with Storage Foundation products. If you want to continue using VEA, a software version is available for download from <http://www.symantec.com/operations-manager/support>. Veritas Storage Foundation Management Server is deprecated.

If you want to manage a single cluster using Cluster Manager (Java Console), a version is available for download from [https://www4.symantec.com/Vrt/offer?a\\_id=89446](https://www4.symantec.com/Vrt/offer?a_id=89446). You cannot manage the new features of this release using the Java Console. Veritas Cluster Server Management Console is deprecated.

## About Storage Foundation and High Availability features

The following section describes different features in the Storage Foundation and High Availability product.

### About LLT and GAB

VCS uses two components, LLT and GAB, to share data over private networks among systems. These components provide the performance and reliability that VCS requires.

LLT (Low Latency Transport) provides fast kernel-to-kernel communications, and monitors network connections.

GAB (Group Membership and Atomic Broadcast) provides globally ordered message that is required to maintain a synchronized state among the nodes.

### Optimizing LLT media speed settings on private NICs

For optimal LLT communication among the cluster nodes, the interface cards on each node must use the same media speed settings. Also, the settings for the switches or the hubs that are used for the LLT interconnections must match that of the interface cards. Incorrect settings can cause poor network performance or even network failure.

If you use different media speed for the private NICs, Symantec recommends that you configure the NICs with lesser speed as low-priority links to enhance LLT performance.

## Guidelines for setting the media speed of the LLT interconnects

Review the following guidelines for setting the media speed of the LLT interconnects:

- Symantec recommends that you manually set the same media speed setting on each Ethernet card on each node.  
If you use different media speed for the private NICs, Symantec recommends that you configure the NICs with lesser speed as low-priority links to enhance LLT performance.
- If you have hubs or switches for LLT interconnects, then set the hub or switch port to the same setting as used on the cards on each node.
- If you use directly connected Ethernet links (using crossover cables), Symantec recommends that you set the media speed to the highest value common to both cards, typically 1000\_Full\_Duplex.

Details for setting the media speeds for specific devices are outside of the scope of this manual. Consult the device's documentation or the operating system manual for more information.

## About configuring SFHA clusters for data integrity

When a node fails, SFHA takes corrective action and configures its components to reflect the altered membership. If an actual node failure did not occur and if the symptoms were identical to those of a failed node, then such corrective action would cause a split-brain situation.

Some example scenarios that can cause such split-brain situations are as follows:

- Broken set of private networks  
If a system in a two-node cluster fails, the system stops sending heartbeats over the private interconnects. The remaining node then takes corrective action. The failure of the private interconnects, instead of the actual nodes, presents identical symptoms and causes each node to determine its peer has departed. This situation typically results in data corruption because both nodes try to take control of data storage in an uncoordinated manner.
- System that appears to have a system-hang  
If a system is so busy that it appears to stop responding, the other nodes could declare it as dead. This declaration may also occur for the nodes that use the hardware that supports a "break" and "resume" function. When a node drops to PROM level with a break and subsequently resumes operations, the other nodes may declare the system dead. They can declare it dead even if the system later returns and begins write operations.

I/O fencing is a feature that prevents data corruption in the event of a communication breakdown in a cluster. SFHA uses I/O fencing to remove the risk that is associated

with split-brain. I/O fencing allows write access for members of the active cluster. It blocks access to storage from non-members so that even a node that is alive is unable to cause damage.

After you install and configure SFHA, you must configure I/O fencing in SFHA to ensure data integrity.

See [“About planning to configure I/O fencing”](#) on page 67.

## About I/O fencing for SFHA in virtual machines that do not support SCSI-3 PR

In a traditional I/O fencing implementation, where the coordination points are coordination point servers (CP servers) or coordinator disks, Veritas Clustered Volume Manager and Veritas I/O fencing modules provide SCSI-3 persistent reservation (SCSI-3 PR) based protection on the data disks. This SCSI-3 PR protection ensures that the I/O operations from the losing node cannot reach a disk that the surviving sub-cluster has already taken over.

See the *Veritas Cluster Server Administrator's Guide* for more information on how I/O fencing works.

In virtualized environments that do not support SCSI-3 PR, SFHA attempts to provide reasonable safety for the data disks. SFHA requires you to configure non-SCSI-3 server-based I/O fencing in such environments. Non-SCSI-3 fencing uses CP servers as coordination points with some additional configuration changes to support I/O fencing in such environments.

See [“Setting up non-SCSI-3 server-based I/O fencing in virtual environments using installsfha”](#) on page 134.

See [“Setting up non-SCSI-3 fencing in virtual environments manually”](#) on page 218.

## About I/O fencing components

The shared storage for SFHA must support SCSI-3 persistent reservations to enable I/O fencing. SFHA involves two types of shared storage:

- Data disks—Store shared data  
See [“About data disks”](#) on page 27.
- Coordination points—Act as a global lock during membership changes  
See [“About coordination points”](#) on page 28.

### About data disks

Data disks are standard disk devices for data storage and are either physical disks or RAID Logical Units (LUNs).

These disks must support SCSI-3 PR and must be part of standard VxVM disk groups. VxVM is responsible for fencing data disks on a disk group basis. Disks that are added to a disk group and new paths that are discovered for a device are automatically fenced.

## About coordination points

Coordination points provide a lock mechanism to determine which nodes get to fence off data drives from other nodes. A node must eject a peer from the coordination points before it can fence the peer from the data drives. SFHA prevents split-brain when vxfen races for control of the coordination points and the winner partition fences the ejected nodes from accessing the data disks.

---

**Note:** Typically, a fencing configuration for a cluster must have three coordination points. Symantec also supports server-based fencing with a single CP server as its only coordination point with a caveat that this CP server becomes a single point of failure.

---

The coordination points can either be disks or servers or both.

- **Coordinator disks**

Disks that act as coordination points are called coordinator disks. Coordinator disks are three standard disks or LUNs set aside for I/O fencing during cluster reconfiguration. Coordinator disks do not serve any other storage purpose in the SFHA configuration.

You can configure coordinator disks to use Veritas Volume Manager Dynamic Multi-pathing (DMP) feature. Dynamic Multi-pathing (DMP) allows coordinator disks to take advantage of the path failover and the dynamic adding and removal capabilities of DMP. So, you can configure I/O fencing to use either DMP devices or the underlying raw character devices. I/O fencing uses SCSI-3 disk policy that is either raw or dmp based on the disk device that you use. The disk policy is dmp by default.

See the *Veritas Storage Foundation Administrator's Guide*.

- **Coordination point servers**

The coordination point server (CP server) is a software solution which runs on a remote system or cluster. CP server provides arbitration functionality by allowing the SF HA cluster nodes to perform the following tasks:

- Self-register to become a member of an active SFHA cluster (registered with CP server) with access to the data drives
- Check which other nodes are registered as members of this active SFHA cluster

- Self-unregister from this active SFHA cluster
- Forcefully unregister other nodes (preempt) as members of this active SFHA cluster

In short, the CP server functions as another arbitration mechanism that integrates within the existing I/O fencing module.

---

**Note:** With the CP server, the fencing arbitration logic still remains on the SFHA cluster.

---

Multiple SF HA clusters running different operating systems can simultaneously access the CP server. TCP/IP based communication is used between the CP server and the SF HA clusters.

## About preferred fencing

The I/O fencing driver uses coordination points to prevent split-brain in a VCS cluster. By default, the fencing driver favors the subcluster with maximum number of nodes during the race for coordination points. With the preferred fencing feature, you can specify how the fencing driver must determine the surviving subcluster.

You can configure the preferred fencing policy using the cluster-level attribute PreferredFencingPolicy for the following:

- Enable system-based preferred fencing policy to give preference to high capacity systems.
- Enable group-based preferred fencing policy to give preference to service groups for high priority applications.
- Disable preferred fencing policy to use the default node count-based race policy.

See the *Veritas Cluster Server Administrator's Guide* for more details.

See [“Enabling or disabling the preferred fencing policy”](#) on page 136.

## About global clusters

Global clusters provide the ability to fail over applications between geographically distributed clusters when disaster occurs. You require a separate license to configure global clusters. You must add this license during the installation. The installer only asks about configuring global clusters if you have used the global cluster license.

See the *Veritas Cluster Server Administrator's Guide*.

# System requirements

This chapter includes the following topics:

- [Release notes](#)
- [Hardware compatibility list \(HCL\)](#)
- [Supported operating systems](#)
- [Veritas File System requirements](#)
- [Disk space requirements](#)
- [Discovering product versions and various requirement information](#)
- [Database requirements](#)
- [I/O fencing requirements](#)
- [Number of nodes supported](#)

## Release notes

The *Release Notes* for each Veritas product contains last minute news and important details for each product, including updates to system requirements and supported software. Review the Release Notes for the latest information before you start installing the product.

The product documentation is available on the Web at the following location:

<https://sort.symantec.com/documents>

## Hardware compatibility list (HCL)

The hardware compatibility list contains information about supported hardware and is updated regularly. Before installing or upgrading Storage Foundation and High Availability Solutions products, review the current compatibility list to confirm the compatibility of your hardware and software.

For the latest information on supported hardware, visit the following URL:

<http://www.symantec.com/docs/TECH170013>

For information on specific High Availability setup requirements, see the *Veritas Cluster Server Installation Guide*.

## Supported operating systems

For information on supported operating systems, see the *Storage Foundation and High Availability Release Notes*.

## Veritas File System requirements

Veritas File System requires that the values of the Solaris variables `lwp_default_stksize` and `svc_default_stksize` are at least 0x6000 (for Solaris 10) and 0x8000 (for Solaris 11). When you install the Veritas File System package, `VRTSvxfs`, the `VRTSvxfs` packaging scripts check the values of these variables in the kernel. If the values are less than the required values, `VRTSvxfs` increases the values and modifies the `/etc/system` file with the required values. If the `VRTSvxfs` scripts increase the values, the installation proceeds as usual except that you must reboot and restart the installation program. A message displays if a reboot is required.

To avoid an unexpected need for a reboot, verify the values of the variables before installing Veritas File System. Use the following commands to check the values of the variables:

```
For Solaris 10: # echo "lwp_default_stksize/X" | mdb -k
                lwp_default_stksize:
                lwp_default_stksize:          6000

                # echo "svc_default_stksize/X" | mdb -k
                svc_default_stksize:
                svc_default_stksize:          6000
```

```
For Solaris 11: # echo "lwp_default_stksize/X" | mdb -k
lwp_default_stksize:
lwp_default_stksize:          8000

# echo "svc_default_stksize/X" | mdb -k
svc_default_stksize:
svc_default_stksize:          8000
```

If the values shown are less than 6000 (for Solaris 10) and less than 8000 (for Solaris 11), you can expect a reboot after installation.

---

**Note:** The default value of the `svc_default_stksize` variable is 0 (zero), which indicates that the value is set to the value of the `lwp_default_stksize` variable. In this case, no reboot is required, unless the value of the `lwp_default_stksize` variable is too small.

---

To avoid a reboot after installation, you can modify the `/etc/system` file with the appropriate values. Reboot the system prior to installing the packages. Add the following lines to the `/etc/system` file:

```
For Solaris 10: set lwp_default_stksize=0x6000
set rpcmod:svc_default_stksize=0x6000
```

```
For Solaris 11: set lwp_default_stksize=0x8000
set rpcmod:svc_default_stksize=0x8000
```

## Disk space requirements

Before installing your products, confirm that your system has enough free disk space.

Use the **Perform a Pre-installation Check (P)** menu for the Web-based installer to determine whether there is sufficient space.

Or, go to the installation directory and run the installer with the `-precheck` option.

```
# ./installer -precheck
```

See [“About the Veritas installer”](#) on page 40.



# Discovering product versions and various requirement information

Symantec provides several methods to check the Veritas product you have installed, plus various requirement information.

You can check the existing product versions using the `installer` command with the `-version` option before or after you install. After you have installed the current version of the product, you can use the `showversion` script in the `/opt/VRTS/install` directory to find version information.

The information that the `version` option or the `showversion` script discovers on systems includes the following:

- The installed version of all released Storage Foundation and High Availability Suite of products
- The required packages or patches (if applicable) that are missing
- The available updates (including patches or hotfixes) from Symantec Operations Readiness Tools (SORT) for the installed products

To run the version checker

- 1 Mount the media.
- 2 Start the installer with the `-version` option.

```
# ./installer -version system1 system2
```

## Database requirements

The following TechNote identifies the most current information on supported database and operating system combinations:

<http://www.symantec.com/docs/DOC4039>

---

**Note:** SFHA supports running Oracle, DB2, and Sybase on VxFS and VxVM.

SFHA does not support running SFDB tools with DB2 and Oracle.

---

## I/O fencing requirements

Depending on whether you plan to configure disk-based fencing or server-based fencing, make sure that you meet the requirements for coordination points:

- Coordinator disks  
See “[Coordinator disk requirements for I/O fencing](#)” on page 34.
- CP servers  
See “[CP server requirements](#)” on page 34.

If you have installed SFHA in a virtual environment that is not SCSI-3 PR compliant, review the requirements to configure non-SCSI-3 server-based fencing.

See “[Non-SCSI-3 I/O fencing requirements](#)” on page 37.

## Coordinator disk requirements for I/O fencing

Make sure that the I/O fencing coordinator disks meet the following requirements:

- For disk-based I/O fencing, you must have at least three coordinator disks or there must be odd number of coordinator disks.
- The coordinator disks can be raw devices, DMP devices, or iSCSI devices.
- Each of the coordinator disks must use a physically separate disk or LUN. Symantec recommends using the smallest possible LUNs for coordinator disks.
- Each of the coordinator disks should exist on a different disk array, if possible.
- The coordinator disks must support SCSI-3 persistent reservations.
- Symantec recommends using hardware-based mirroring for coordinator disks.
- Coordinator disks must not be used to store data or must not be included in disk groups that store user data.
- Coordinator disks cannot be the special devices that array vendors use. For example, you cannot use EMC gatekeeper devices as coordinator disks.

## CP server requirements

SFHA 6.0.1 clusters (application clusters) support coordination point servers (CP servers) which are hosted on the following VCS and SFHA versions:

- VCS 6.0.1, VCS 6.0, VCS 6.0 PR1, VCS 6.0 RP1, VCS 5.1SP1, or VCS 5.1 single-node cluster  
Single-node VCS clusters with VCS 5.1 SP1 RP1 and later or VCS 6.0 and later that hosts CP server does not require LLT and GAB to be configured.
- SFHA 6.0.1, SFHA 6.0, SFHA 6.0 PR1, SFHA 6.0 RP1, 5.1SP1, or 5.1 cluster

---

**Warning:** Before you upgrade 5.1 CP server nodes to use VCS or SFHA 6.0.1, you must upgrade all the application clusters that use this CP server to version 6.0.1. Application clusters at version 5.1 cannot communicate with CP server that runs VCS or SFHA 5.1 SP1 or later.

---

Make sure that you meet the basic hardware requirements for the VCS/SFHA cluster to host the CP server.

See the *Veritas Cluster Server Installation Guide*.

---

**Note:** While Symantec recommends at least three coordination points for fencing, a single CP server as coordination point is a supported server-based fencing configuration. Such single CP server fencing configuration requires that the coordination point be a highly available CP server that is hosted on an SFHA cluster.

---

Make sure you meet the following additional CP server requirements which are covered in this section before you install and configure CP server:

- Hardware requirements
- Operating system requirements
- Networking requirements (and recommendations)
- Security requirements

[Table 2-1](#) lists additional requirements for hosting the CP server.

**Table 2-1** CP server hardware requirements

| Hardware required | Description   |
|-------------------|---|
| Disk space        | To host the CP server on a VCS cluster or SFHA cluster, each host requires the following file system space: <ul style="list-style-type: none"><li>■ 550 MB in the /opt directory (additionally, the language pack requires another 15 MB)</li><li>■ 300 MB in /usr</li><li>■ 20 MB in /var</li><li>■ 10 MB in /etc (for the CP server database)</li></ul> See " <a href="#">Disk space requirements</a> " on page 32. |
| Storage           | When CP server is hosted on an SFHA cluster, there must be shared storage between the nodes of this SFHA cluster.   |
| RAM               | Each CP server requires at least 512 MB.  |

**Table 2-1** CP server hardware requirements (*continued*)

| Hardware required | Description  |
|-------------------|--|
| Network           | Network hardware capable of providing TCP/IP connection between CP servers and SFHA clusters (application clusters). |

[Table 2-2](#) displays the CP server supported operating systems and versions. An application cluster can use a CP server that runs any of the following supported operating systems.

**Table 2-2** CP server supported operating systems and versions

| CP server   | Operating system and version   |
|---|--|
| CP server hosted on a VCS single-node cluster or on an SFHA cluster | <p>CP server supports any of the following operating systems:</p> <ul style="list-style-type: none"> <li>■ AIX 6.1 and 7.1</li> <li>■ HP-UX 11i v3</li> <li>■ Linux: <ul style="list-style-type: none"> <li>■ RHEL 5</li> <li>■ RHEL 6</li> <li>■ SLES 10</li> <li>■ SLES 11</li> </ul> </li> <li>■ Oracle Solaris 10</li> <li>■ Oracle Solaris 11</li> </ul> <p>Review other details such as supported operating system levels and architecture for the supported operating systems.</p> <p>See the <i>Veritas Cluster Server Release Notes</i> or the <i>Veritas Storage Foundation High Availability Release Notes</i> for that platform.</p> |

Following are the CP server networking requirements and recommendations:

- Symantec recommends that network access from the application clusters to the CP servers should be made highly-available and redundant. The network connections require either a secure LAN or VPN.
- The CP server uses the TCP/IP protocol to connect to and communicate with the application clusters by these network paths. The CP server listens for messages from the application clusters using TCP port 14250. This is the default port that can be changed during a CP server configuration. Symantec recommends that you configure multiple network paths to access a CP server. If a network path fails, CP server does not require a restart and continues to listen on all the other available virtual IP addresses.

- The CP server supports either Internet Protocol version 4 or version 6 (IPv4 or IPv6 addresses) when communicating with the application clusters. If the CP server is configured to use an IPv6 virtual IP address, then the application clusters should also be on the IPv6 network where the CP server is hosted.
- When placing the CP servers within a specific network configuration, you must take into consideration the number of hops from the different application cluster nodes to the CP servers. As a best practice, Symantec recommends that the number of hops and network latency from the different application cluster nodes to the CP servers should be equal. This ensures that if an event occurs that results in an I/O fencing scenario, there is no bias in the race due to difference in number of hops or network latency between the CPS and various nodes.

For secure communication between the SFHA cluster (application cluster) and the CP server, review the following support matrix:

| <b>Communication mode</b>       | <b>CP server in secure mode</b> | <b>CP server in non-secure mode</b> |
|---------------------------------|---------------------------------|-------------------------------------|
| SFHA cluster in secure mode     | Yes                             | Yes                                 |
| SFHA cluster in non-secure mode | Yes                             | Yes                                 |

For secure communications between the SFHA and CP server, consider the following requirements and suggestions:

- In a secure communication environment, all CP servers that are used by the application cluster must be configured with security enabled. A configuration where the application cluster uses some CP servers running with security enabled and other CP servers running with security disabled is not supported.
- For non-secure communication between CP server and application clusters, there is no need to configure Symantec Product Authentication Service. In non-secure mode, authorization is still provided by CP server for the application cluster users. The authorization that is performed only ensures that authorized users can perform appropriate actions as per their user privileges on the CP server.

For information about establishing secure communications between the application cluster and CP server, see the *Veritas Cluster Server Administrator's Guide*.

## Non-SCSI-3 I/O fencing requirements

Supported virtual environment for non-SCSI-3 fencing:

- Solaris 10 Update 7 and later, Oracle Solaris 11  
Oracle VM Server for SPARC 2.0 and 2.1  
Guest operating system: Oracle Solaris 10, Oracle Solaris 11

Make sure that you also meet the following requirements to configure non-SCSI-3 fencing in the virtual environments that do not support SCSI-3 PR:

- SFHA must be configured with Cluster attribute UseFence set to SCSI3
- All coordination points must be CP servers

## Number of nodes supported

SFHA supports cluster configurations with up to 64 nodes.

# Planning to install SFHA

This chapter includes the following topics:

- [About installation and configuration methods for SFHA](#)
- [About the Veritas installer](#)
- [Downloading the Storage Foundation and High Availability software](#)
- [About the VRTSspt package troubleshooting tools](#)

## About installation and configuration methods for SFHA

You can install and configure SFHA using Veritas installation programs or using native operating system methods.

Use one of the following methods to install and configure SFHA:

- The Veritas product installer  
The installer displays a menu that simplifies the selection of installation options.
- The product-specific installation scripts  
The installation scripts provide a command-line interface to install a specific product. The product-specific scripts enable you to specify some additional command-line options. Installing with the installation script is also the same as specifying SFHA from the installer menu.
- Silent installation with response files  
You can use any of the above options to generate a response file. You can then customize the response file for another system. Run the product installation script with the response file to install silently on one or more systems. See [“About response files”](#) on page 40.
- JumpStart

You can use the Veritas product installer or the product-specific installation script to generate a Jumpstart script file. Use the generated script to install Veritas packages from your JumpStart server.

## About response files

The installer or product installation script generates a response file during any installation, configuration, upgrade (except rolling upgrade), or uninstall procedure. The response file contains the configuration information that you entered during the procedure. When the procedure completes, the installation script displays the location of the response files.

You can use the response file for future installation procedures by invoking an installation script with the `-responsefile` option. The response file passes arguments to the script to automate the installation of that product. You can edit the file to automate installation and configuration of additional systems.

You can generate a response file using the `-makeresponsefile` option.

See [“Installation script options”](#) on page 411.

### Syntax in the response file

The syntax of the Perl statements that are included in the response file variables varies. It can depend on whether the variables require scalar or list values.

For example, in the case of a string value:

```
$CFG{Scalar_variable}="value";
```

or, in the case of an integer value:

```
$CFG{Scalar_variable}=123;
```

or, in the case of a list:

```
$CFG{List_variable}=["value", "value", "value"];
```

## About the Veritas installer

To install your Veritas product, use one of the following methods:

- The general product installer. The general product installer enables you to install and configure the product, verify preinstallation requirements, and view the product's description. You perform the installation from a disc, and you are prompted to choose a product to install.



See “Installing Storage Foundation and High Availability using the installer” on page 63.

- Product-specific installation scripts. If you obtained a standalone Veritas product from an electronic download site, the single product download files do not contain the general product installer. Use the product installation script to install the individual products. You can find these scripts at the root of the product media in the scripts directory. These scripts are also installed with the product.

Table 3-1 lists all the SFHA Solutions product installation scripts. The list of product installation scripts that you find on your system depends on the product that you install on your system.

---

**Note:** The name of the script is different depending on whether you run the script from the install media or from a system on which the product software is installed.

---

**Table 3-1** Product installation scripts

| Veritas product name   | Product installation script<br>(When running the script<br>from the install media) | Product installation script<br>(When running the script<br>from a system on which<br>the SFHA Solutions<br>product is installed) |
|--|--|--|
| Veritas Cluster Server (VCS)   | <code>installvcs</code>  | <code>installvcs&lt;version&gt;</code>   |
| Veritas Storage Foundation (SF)  | <code>installsf</code>   | <code>installsf&lt;version&gt;</code>  |
| Veritas Storage Foundation and High Availability (SFHA)                    | <code>installsfha</code>   | <code>installsfha&lt;version&gt;</code>  |
| Veritas Storage Foundation Cluster File System High Availability (SFCFSHA) | <code>installsfcfsha</code>  | <code>installsfcfsha&lt;version&gt;</code>   |
| Veritas Storage Foundation for Oracle RAC (SF Oracle RAC)                  | <code>installsfrac</code>  | <code>installsfrac&lt;version&gt;</code>   |
| Veritas Storage Foundation for Sybase ASE CE (SF Sybase CE)                | <code>installsfsybasece</code>   | <code>installsfsybasece&lt;version&gt;</code>  |
| Veritas Dynamic Multi-Pathing  | <code>installdmp</code>  | <code>installdmp&lt;version&gt;</code>   |
| Symantec VirtualStore  | <code>installsvs</code>  | <code>installsvs&lt;version&gt;</code>   |

The scripts that are installed on the system include the product version in the script name. For example, to install the SFHA script from the install media, run the `installsfha` command. However, to run the script from the installed binaries, run the `installsfha<version>` command.

For example, for the 6.0.1 version:

```
# /opt/VRTS/install/installsfha601 -configure
```

---

**Note:** Do not include the release version if you use the general product installer to install the product.

---

At most points during the installation you can type the following characters for different actions:

- Use `b` (back) to return to a previous section of the installation procedure. The back feature of the installation scripts is context-sensitive, so it returns to the beginning of a grouped section of questions.
- Use `Control+c` to stop and exit the program if an installation procedure hangs. After a short delay, the script exits.
- Use `q` to quit the installer.
- Use `?` to display help information.
- Use the Enter button to accept a default response.

See [“Installation script options”](#) on page 411.

## Downloading the Storage Foundation and High Availability software

One method of obtaining the Storage Foundation and High Availability software is to download it to your local system from the Symantec Web site.

For a Trialware download, perform the following. Contact your Veritas representative for more information.

### To download the trialware version of the software

- 1 Open the following link in your browser:  
<http://www.symantec.com/index.jsp>
- 2 In Products and Solutions section, click the **Trialware & Downloads** link.
- 3 On the next page near the bottom of the page, click **Business Continuity**.

- 4 Under Cluster Server, click **Download Now**.
- 5 In the new window, click **Download Now**.
- 6 Review the terms and conditions, and click **I agree**.
- 7 You can use existing credentials to log in or create new credentials.
- 8 Find the product that you want to download and select it. Continue with the installation.

If you download a standalone Veritas product, the single product download files do not contain the product installer. Use the installation script for the specific product to install the product.

---

**Note:** Trialware is the full product version. The enabled licensing places the product in a demo or a trial state.

---

See [“About the Veritas installer”](#) on page 40.

#### To download the software

- 1 Verify that you have enough space on your filesystem to store the downloaded software.

The estimated space for download, gunzip, and tar extract is 2 GB for SPARC and 1.5 GB for Opteron.

If you plan to install the software on the same system, make sure that you also have enough space for the installed software.

See [“Disk space requirements”](#) on page 32.

- 2 To see the space available, you can use the `df` command with the name of the local file system where you intend to download the software.

```
# /usr/bin/df -l filesystem
```

---

**Caution:** When you select a location to download files, do not select a directory that contains Veritas products from a previous release or maintenance pack. Make sure that different versions exist in different directories.

---

- 3 Download the software, specifying the file system with sufficient space for the file.

## About the VRTSspt package troubleshooting tools

The VRTSspt package provides a group of tools for troubleshooting a system and collecting information on its configuration. If you install and use the VRTSspt package, it will be easier for Symantec Support to diagnose any issues you may have.

The tools can gather Veritas File System and Veritas Volume Manager metadata information and establish various benchmarks to measure file system and volume manager performance. Although the tools are not required for the operation of any Veritas product, Symantec recommends installing them should a support case be needed to be opened with Symantec Support. Use caution when you use the VRTSspt package, and always use it in concert with Symantec Support.

# Licensing SFHA

This chapter includes the following topics:

- [About Veritas product licensing](#)
- [Setting or changing the product level for keyless licensing](#)
- [Installing Veritas product license keys](#)

## About Veritas product licensing

You have the option to install Veritas products without a license key. Installation without a license does not eliminate the need to obtain a license. A software license is a legal instrument governing the usage or redistribution of copyright protected software. The administrator and company representatives must ensure that a server or cluster is entitled to the license level for the products installed. Symantec reserves the right to ensure entitlement and compliance through auditing.

If you encounter problems while licensing this product, visit the Symantec licensing support website.

[www.symantec.com/techsupp/](http://www.symantec.com/techsupp/)

The Veritas product installer prompts you to select one of the following licensing methods:

- Install a license key for the product and features that you want to install.  
When you purchase a Symantec product, you receive a License Key certificate. The certificate specifies the product keys and the number of product licenses purchased.
- Continue to install without a license key.  
The installer prompts for the product modes and options that you want to install, and then sets the required product level.

Within 60 days of choosing this option, you must install a valid license key corresponding to the license level entitled. If you do not comply with the above terms, continuing to use the Symantec product is a violation of your end user license agreement, and results in warning messages.

For more information about keyless licensing, see the following URL:

<http://go.symantec.com/sfhakeyless>

If you upgrade to this release from a prior release of the Veritas software, the installer asks whether you want to upgrade the key to the new version. The existing license keys may not activate new features in this release.

If you upgrade with the product installer, or if you install or upgrade with a method other than the product installer, you must do one of the following to license the products:

- Run the `vxkeyless` command to set the product level for the products you have purchased. This option also requires that you manage the server or cluster with a management server.  
See “[Setting or changing the product level for keyless licensing](#)” on page 46.  
See the `vxkeyless(1m)` manual page.
- Use the `vxlicinst` command to install a valid product license key for the products you have purchased.  
See “[Installing Veritas product license keys](#)” on page 48.  
See the `vxlicinst(1m)` manual page.

You can also use the above options to change the product levels to another level that you are authorized to use. For example, you can add the replication option to the installed product. You must ensure that you have the appropriate license for the product level and options in use.

---

**Note:** In order to change from one product group to another, you may need to perform additional steps.

---

## Setting or changing the product level for keyless licensing

The keyless licensing method uses product levels to determine the Veritas products and functionality that are licensed.

For more information to use keyless licensing and to download the management server, see the following URL:

<http://go.symantec.com/vom>

When you set the product license level for the first time, you enable keyless licensing for that system. If you install with the product installer and select the keyless option, you are prompted to select the product and feature level that you want to license.

After you install, you can change product license levels at any time to reflect the products and functionality that you want to license. When you set a product level, you agree that you have the license for that functionality.

### To set or change the product level

- 1 Change your current working directory:

```
# cd /opt/VRTSvlic/bin
```

- 2 View the current setting for the product level.

```
# ./vxkeyless -v display
```

- 3 View the possible settings for the product level.

```
# ./vxkeyless displayall
```

- 4 Set the desired product level.

```
# ./vxkeyless set prod_levels
```

where *prod\_levels* is a comma-separated list of keywords. The keywords are the product levels as shown by the output of step 3.

If you want to remove keyless licensing and enter a key, you must clear the keyless licenses. Use the NONE keyword to clear all keys from the system.

---

**Warning:** Clearing the keys disables the Veritas products until you install a new key or set a new product level.

---

### To clear the product license level

- 1 View the current setting for the product license level.

```
# ./vxkeyless [-v] display
```

- 2 If there are keyless licenses installed, remove all keyless licenses:

```
# ./vxkeyless [-q] set NONE
```

For more details on using the `vxkeyless` utility, see the `vxkeyless(1m)` manual page.

# Installing Veritas product license keys

The VRTSvlic package enables product licensing. After the VRTSvlic is installed, the following commands and their manual pages are available on the system:

|                        |  |
|------------------------|--|
| <code>vxlicinst</code> | Installs a license key for a Symantec product                      |
| <code>vxlicrep</code>  | Displays currently installed licenses                              |
| <code>vxlictest</code> | Retrieves features and their descriptions encoded in a license key |

Even though other products are included on the enclosed software discs, you can only use the Symantec software products for which you have purchased a license.

## To install a new license

- ◆ Run the following commands. In a cluster environment, run the commands on each node in the cluster:

```
# cd /opt/VRTS/bin  
  
# ./vxlicinst -k license key
```

To see a list of your vxkeyless keys, enter the following command:

```
# ./vxkeyless display
```

You can install SFHA if you install a pair of valid VCS and SF keys. Even if your VCS and SF keys do not show when you run the `vxkeyless display` command, you can still install and configure SFHA.

After you upgrade from a previous release, the output you see when you run the `vxkeyless display` command includes the previous release's vxkeyless keys. Each vxkeyless key name includes the suffix `_<previous_release_version>`. For example, `DMP_6.0`, or `SFENT_VR_5.1SP1`, or `VCS_GCO_5.1`. During the upgrade process, the CPI installer prompts you to update the vxkeyless keys to the current release level. If you update the vxkeyless keys during the upgrade process, you no longer see the `_<previous_release_number>` suffix after the keys are updated.



# Preinstallation tasks

- [Chapter 5. Preparing to install Storage Foundation High Availability](#)

# Preparing to install Storage Foundation High Availability

This chapter includes the following topics:

- [Installation preparation overview](#)
- [About using ssh or rsh with the Veritas installer](#)
- [Setting up shared storage](#)
- [Creating root user](#)
- [Creating the /opt directory](#)
- [Setting environment variables](#)
- [Mounting the product disc](#)
- [Assessing the system for installation readiness](#)
- [Making the IPS publisher accessible](#)

## Installation preparation overview

[Table 5-1](#) provides an overview of an installation using the product installer.

**Table 5-1** Installation overview

| Installation task  | Section  |
|--|--|
| Obtain product licenses.   | See <a href="#">“About Veritas product licensing”</a> on page 45.  |
| Download the software, or insert the product DVD.                          | See <a href="#">“Downloading the Storage Foundation and High Availability software”</a> on page 42.<br>See <a href="#">“Mounting the product disc”</a> on page 57. |
| Set environment variables.   | See <a href="#">“Setting environment variables”</a> on page 57.  |
| Create the <code>/opt</code> directory, if it does not exist.              | See <a href="#">“Creating the /opt directory”</a> on page 57.  |
| Configure the secure shell (ssh) or remote shell (rsh) on all nodes.       | See <a href="#">“About configuring secure shell or remote shell communication modes before installing products”</a> on page 449.                                   |
| Verify that hardware, software, and operating system requirements are met. | See <a href="#">“Release notes”</a> on page 30.  |
| Check that sufficient disk space is available.                             | See <a href="#">“Disk space requirements”</a> on page 32.  |
| Use the installer to install the products.                                 | See <a href="#">“About the Veritas installer”</a> on page 40.  |

## About using ssh or rsh with the Veritas installer

The installer uses passwordless secure shell (ssh) or remote shell (rsh) communications among systems. The installer uses the ssh or rsh daemon that comes bundled with the operating system. During an installation, you choose the communication method that you want to use. You then provide the installer with the superuser passwords for the systems where you plan to install. The ssh or rsh communication among the systems is removed when the installation process completes, unless the installation abruptly terminates. If installation terminated abruptly, use the installation script's `-comcleanup` option to remove the ssh or rsh configuration from the systems.

See [“Installation script options”](#) on page 411.

In most installation, configuration, upgrade (where necessary), and uninstallation scenarios, the installer can configure ssh or rsh on the target systems. In the following scenarios, you need to set up ssh or rsh manually:

- When you perform installer sessions using a response file.

See [“About configuring secure shell or remote shell communication modes before installing products”](#) on page 449.

## Setting up shared storage

The following sections describe how to set up the SCSI and the Fibre Channel devices that the cluster systems share.

For I/O fencing, the data disks must support SCSI-3 persistent reservations. You need to configure a coordinator disk group that supports SCSI-3 PR and verify that it works.

See [“About planning to configure I/O fencing”](#) on page 67.

See also the *Veritas Cluster Server Administrator's Guide* for a description of I/O fencing.

### Setting up shared storage: SCSI disks

When SCSI devices are used for shared storage, the SCSI address or SCSI initiator ID of each node must be unique. Since each node typically has the default SCSI address of "7," the addresses of one or more nodes must be changed to avoid a conflict. In the following example, two nodes share SCSI devices. The SCSI address of one node is changed to "5" by using `nvedit` commands to edit the `nvrampc` script.

If you have more than two systems that share the SCSI bus, do the following:

- Use the same procedure to set up shared storage.
- Make sure to meet the following requirements:
  - The storage devices have power before any of the systems
  - Only one node runs at one time until each node's address is set to a unique value

#### To set up shared storage

- 1 Install the required SCSI host adapters on each node that connects to the storage, and make cable connections to the storage.

Refer to the documentation that is shipped with the host adapters, the storage, and the systems.

- 2 With both nodes powered off, power on the storage devices.
- 3 Power on one system, but do not allow it to boot. If necessary, halt the system so that you can use the ok prompt.

Note that only one system must run at a time to avoid address conflicts.

#### 4 Find the paths to the host adapters:

```
{0} ok show-disks  
...b) /sbus@6,0/QLGC,isp@2,10000/sd
```

The example output shows the path to one host adapter. You must include the path information without the "/sd" directory, in the `nvrामrc` script. The path information varies from system to system.

#### 5 Edit the `nvrामrc` script on to change the `scsi-initiator-id` to 5. (The *Solaris OpenBoot 3.x Command Reference Manual* contains a full list of `nvedit` commands and keystrokes.) For example:

```
{0} ok nvedit
```

As you edit the script, note the following points:

- Each line is numbered, 0:, 1:, 2:, and so on, as you enter the `nvedit` commands.
- On the line where the `scsi-initiator-id` is set, insert exactly one space after the first quotation mark and before `scsi-initiator-id`.

In this example, edit the `nvrामrc` script as follows:

```
0: probe-all  
1: cd /sbus@6,0/QLGC,isp@2,10000  
2: 5 " scsi-initiator-id" integer-property  
3: device-end  
4: install-console  
5: banner  
6: <CTRL-C>
```

- 6 Store the changes you make to the `nvrामrc` script. The changes you make are temporary until you store them.

```
{0} ok nvstore
```

If you are not sure of the changes you made, you can re-edit the script without risk before you store it. You can display the contents of the `nvrामrc` script by entering:

```
{0} ok printenv nvrामrc
```

You can re-edit the file to make corrections:

```
{0} ok nvedit
```

Or, discard the changes if necessary by entering:

```
{0} ok nvquit
```

- 7 Instruct the OpenBoot PROM Monitor to use the `nvrामrc` script on the node.

```
{0} ok setenv use-nvrामrc? true
```

- 8 Reboot the node. If necessary, halt the system so that you can use the `ok` prompt.

- 9 Verify that the `scsi-initiator-id` has changed. Go to the `ok` prompt. Use the output of the `show-disks` command to find the paths for the host adapters. Then, display the properties for the paths. For example:

```
{0} ok show-disks
...b) /sbus@6,0/QLGC,isp@2,10000/sd
{0} ok cd /sbus@6,0/QLGC,isp@2,10000
{0} ok .properties
scsi-initiator-id      00000005
```

Permit the system to continue booting.

- 10 Boot the second node. If necessary, halt the system to use the `ok` prompt. Verify that the `scsi-initiator-id` is 7. Use the output of the `show-disks` command to find the paths for the host adapters. Then, display the properties for that paths. For example:

```
{0} ok show-disks
...b) /sbus@6,0/QLGC,isp@2,10000/sd
{0} ok cd /sbus@6,0/QLGC,isp@2,10000
{0} ok .properties
scsi-initiator-id      00000007
```

Permit the system to continue booting.

## Setting up shared storage: Fibre Channel

Perform the following steps to set up Fibre Channel.

### To set up shared storage

- 1 Install the required FC-AL controllers.
- 2 Connect the FC-AL controllers and the shared storage devices to the same hub or switch.

All systems must see all the shared devices that are required to run the critical application. If you want to implement zoning for a fibre switch, make sure that no zoning prevents all systems from seeing all these shared devices.

- 3 Boot each system with the reconfigure devices option:

```
ok boot -r
```

- 4 After all systems have booted, use the `format(1m)` command to verify that each system can see all shared devices.

If Volume Manager is used, the same number of external disk devices must appear, but device names (`c##d##s#`) may differ.

If Volume Manager is not used, then you must meet the following requirements:

- The same number of external disk devices must appear.
- The device names must be identical for all devices on all systems.

## Creating root user

On Oracle Solaris 11, you need to change the root role into a user as you cannot directly log in as root user.

### To change root role into a user

- 1 Log in as local user and assume the root role.

```
% su - root
```

- 2 Remove the root role from local users who have been assigned the role.

```
# roles admin  
  
root  
  
# usermod -R " " admin
```

- 3 Change the root role into a user.

```
# rolemod -K type=normal root
```

- 4 Verify the change.

- # getent user\_attr root  
  
root:::auths=solaris.\*;profiles=All;audit\_flags=lo\  
:no;lock\_after\_retries=no;min\_label=admin\_low;clearance=admin\_high

If the `type` keyword is missing in the output or is equal to `normal`, the account is not a role.

- # userattr type root

If the output is empty or lists `normal`, the account is not a role.

---

**Note:** For more information, see the Oracle documentation on Oracle Solaris 11 operating system.

---



---

**Note:** After installation, you may want to change root user into root role to allow local users to assume the root role.

See [“Changing root user into root role”](#) on page 343.

---

## Creating the /opt directory

The directory `/opt` must exist, be writable and must not be a symbolic link.

If you are upgrading, you cannot have a symbolic link from `/opt` to an unconverted volume. If you do have a symbolic link to an unconverted volume, the symbolic link will not function during the upgrade and items in `/opt` will not be installed.

## Setting environment variables

Most of the commands used in the installation are in the `/sbin` or `/usr/sbin` directory. Add these directories to your `PATH` environment variable as necessary.

After installation, SFHA commands are in `/opt/VRTS/bin`. SFHA manual pages are stored in `/opt/VRTS/man`.

Add the following directories to your `PATH` and `MANPATH` environment variable:

- If you are using Bourne or Korn shell (`sh` or `ksh`), enter the following:

```
$ PATH=$PATH:/usr/sbin:/opt/VRTS/bin
$ MANPATH=/usr/share/man:/opt/VRTS/man:$MANPATH
$ export PATH MANPATH
```

- If you are using a C shell (`csh` or `tcsh`), enter the following:

```
% set path = ( $path /usr/sbin /opt/VRTS/bin )
% setenv MANPATH /usr/share/man:/opt/VRTS/man:$MANPATH
```

## Mounting the product disc

You must have superuser (root) privileges to load the SFHA software.

### To mount the product disc

- 1 Log in as superuser on a system where you want to install SFHA.  
 The system from which you install SFHA need not be part of the cluster. The systems must be in the same subnet.
- 2 Insert the product disc into a DVD drive that is connected to your system.
- 3 If Solaris volume management software is running on your system, the software disc automatically mounts as /cdrom/cdrom0.
- 4 If Solaris volume management software is not available to mount the DVD, you must mount it manually. After you insert the software disc, enter:

```
# mount -F hsfs -o ro /dev/dsk/c0t6d0s2 /cdrom
```

Where c0t6d0s2 is the default address for the disc drive.

## Assessing the system for installation readiness

Symantec provides the following tools for assessing your system, to ensure that the system meets the requirements for installing Storage Foundation 6.0.1.

### Symantec Operations Readiness Tools

Symantec Operations Readiness Tools (SORT) is a Web-based application that is designed to support Symantec enterprise products.

See [“About Symantec Operations Readiness Tools”](#) on page 58.

### Prechecking your systems using the installer

Performs a pre-installation check on the specified systems. The Veritas product installer reports whether the specified systems meet the minimum requirements for installing Storage Foundation 6.0.1.

See [“Prechecking your systems using the Veritas installer”](#) on page 59.

## About Symantec Operations Readiness Tools

[Symantec Operations Readiness Tools \(SORT\)](#) is a Web site that automates and simplifies some of the most time-consuming administrative tasks. SORT helps you manage your datacenter more efficiently and get the most out of your Symantec products.

Among its broad set of features, SORT lets you do the following:

- Generate server-specific reports that describe how to prepare your servers for installation or upgrade of Symantec enterprise products.
- Access a single site with the latest production information, including patches, agents, and documentation.
- Create automatic email notifications for changes in patches, documentation, and array-specific modules.

To access SORT, go to:

<https://sort.symantec.com>

## Prechecking your systems using the Veritas installer

The script-based and Web-based installer's precheck option checks for the following:

- Recommended swap space for installation
- Recommended memory sizes on target systems for Veritas programs for best performance
- Required operating system versions

### To use the precheck option

- 1 Start the script-based or Web-based installer.

See “Installing Storage Foundation and High Availability using the installer” on page 63.

See “Installing SFHA with the Web-based installer” on page 144.

- 2 Select the precheck option:

- From the Web-based installer, select the **Perform a Pre-Installation Check** from the Task pull-down menu.
- In the script-based installer, from root on the system where you want to perform the check, start the installer.

```
# ./installer
```

In the Task Menu, press the p key to start the precheck.

- 3 Review the output and make the changes that the installer recommends.

## Making the IPS publisher accessible

The installation of SFHA 6.0.1 fails on Solaris 11 if the Image Packaging System (IPS) publisher is inaccessible. The following error message is displayed:

```
CPI ERROR V-9-20-1273 Unable to contact configured publishers on <node_name>.
```

Solaris 11 introduces the new Image Packaging System (IPS) and sets a default publisher (solaris) during Solaris installation. When additional packages are being installed, the set publisher must be accessible for the installation to succeed. If the publisher is inaccessible, as in the case of a private network, then package installation will fail. The following commands can be used to display the set publishers:

```
# pkg publisher
```

Example:

```
root@sol11-03:~# pkg publisher
PUBLISHER      TYPE      STATUS   URI
solaris        origin   online   http://pkg.oracle.com/solaris/release/
root@sol11-03:~# pkg publisher solaris          Publisher: solaris
Alias:
Origin URI: http://pkg.oracle.com/solaris/release/
SSL Key: None
SSL Cert: None
Client UUID: 00000000-3f24-fe2e-0000-000068120608
Catalog Updated: October 09:53:00 PM
Enabled: Yes
Signature Policy: verify
```

### To make the IPS publisher accessible

- 1 Enter the following to disable the publisher (in this case, solaris):

```
# pkg set-publisher --disable solaris
```

- 2 Repeat the installation of SFHA 6.0.1.
- 3 Re-enable the original publisher. If the publisher is still inaccessible (private network), then the `no-refresh` option can be used to re-enable it.

```
# pkg set-publisher --enable solaris
```

or

```
# pkg set-publisher --enable --no-refresh solaris
```

---

**Note:** Unsetting the publisher will have a similar effect, except that the publisher can only be re-set if it is accessible. See pkg(1) for further information on the pkg utility.

---

# Installation using the script-based installer

- [Chapter 6. Installing SFHA](#)
- [Chapter 7. Preparing to configure SFHA clusters for data integrity](#)
- [Chapter 8. Configuring SFHA](#)
- [Chapter 9. Configuring SFHA clusters for data integrity](#)

# Installing SFHA

This chapter includes the following topics:

- [Installing Storage Foundation and High Availability using the installer](#)
- [Installing language packages](#)

## Installing Storage Foundation and High Availability using the installer

The Veritas product installer is the recommended method to license and install Storage Foundation and High Availability.

The following sample procedure is based on the installation of Storage Foundation on a single system.

### To install Storage Foundation and High Availability

- 1 Set up the systems so that the commands execute on remote machines without prompting for passwords or confirmations with remote shell or secure shell communication utilities.

See [“About configuring secure shell or remote shell communication modes before installing products”](#) on page 449.

- 2 Load and mount the software disc. If you downloaded the software, navigate to the top level of the download directory and skip the next step.

See [“Mounting the product disc”](#) on page 57.

- 3 Move to the top-level directory on the disc.

```
# cd /cdrom/cdrom0
```

- 4 From this directory, type the following command to start the installation on the local system. Use this command to install on remote systems if secure shell or remote shell communication modes are configured:

```
# ./installer
```

- 5 Enter `I` to install and press Return.
- 6 When the list of available products is displayed, select Storage Foundation and High Availability, enter the corresponding number, and press Return.
- 7 At the prompt, specify whether you accept the terms of the End User License Agreement (EULA).

```
Do you agree with the terms of the End User License Agreement
as specified in the storage_foundation_high_availability/EULA/
lang/EULA_SFHA_Ux_version.pdf file present on the media? [y,n,q,?] y
```

- 8 Select from one of the following installation options:
  - Minimal packages: installs only the basic functionality for the selected product.
  - Recommended packages: installs the full feature set without optional packages.
  - All packages: installs all available packages.

Each option displays the disk space that is required for installation. Select which option you want to install and press Return.

- 9 You are prompted to enter the system names where you want to install the software. Enter the system name or names and then press Enter.

```
Enter the system names separated by spaces:
[q,?] sys1
```

- 10 After the system checks complete, the installer displays a list of the packages to be installed. Press Enter to continue with the installation.



- 11 You need to synchronize the system clocks of your application servers or have them point to an NTP server. After the system check, if the nodes have time difference, the installer prompts:

```
Do you want to synchronize system clock with NTP server(s)?
[y,n,q] (y)
Enter the NTP server names separated by spaces: [b] megami.veritas.com

Synchronizing system clock on sys1 ..... Done
Synchronizing system clock on sys2..... Done

System clock synchronized on systems
```

- 12 The installer can configure remote shell or secure shell communications for you among systems, however each system needs to have RSH or SSH servers installed. You also need to provide the superuser passwords for the systems. Note that for security reasons, the installation program neither stores nor caches these passwords.
- 13 The installer may prompt to restore previous Veritas Volume Manager configurations.
- 14 Choose the licensing method. Answer the licensing questions and follow the prompts.

---

**Note:** The keyless license option enables you to install without entering a key. However, you still need a valid license to install and use Veritas products. Keyless licensing requires that you manage the systems with a Management Server.

---

- 15 The installer prompts you to configure SFHA. You can continue with configuration if you answer **y**.
- See [“Configuring Storage Foundation High Availability using the installer”](#) on page 96.
- 16 You are prompted to enter the Standard or Enterprise product mode.

```
1) SF Standard HA
2) SF Enterprise HA
b) Back to previous menu

Select product mode to license: [1-2,b,q,?] (2) 1
```

**17** When prompted, decide to enable replication or not:

```
Would you like to enable the Veritas Volume Replicator?  
[y,n,q] (n)
```

When prompted, decide to enable the Global Cluster option or not:

```
Would you like to enable the Global Cluster Option?  
[y,n,q] (n) n
```

**18** At the prompt, specify whether you want to send your installation information to Symantec.

```
Would you like to send the information about this installation to  
Symantec to help improve installation in the future? [y,n,q,?] (y) y
```

Check the log file, if needed, to confirm the installation and configuration.

## Installing language packages

To install SFHA in a language other than English, install the required language packages after installing the English packages.

**To install the language packages on the server**

- 1 Insert the "Language" disc into the DVD-ROM or CD-ROM drive. With Solaris volume management software, the disc is automatically mounted as `/cdrom/cdrom0`.
- 2 Install the language packages using the `install_lp` command.

```
# cd /cdrom/cdrom0  
# ./install_lp
```

# Preparing to configure SFHA clusters for data integrity

This chapter includes the following topics:

- [About planning to configure I/O fencing](#)
- [Setting up the CP server](#)

## About planning to configure I/O fencing

After you configure SFHA with the installer, you must configure I/O fencing in the cluster for data integrity.

You can configure disk-based I/O fencing or server-based I/O fencing. If your enterprise setup has multiple clusters that use VCS for clustering, Symantec recommends you to configure server-based I/O fencing.

The coordination points in server-based fencing can include only CP servers or a mix of CP servers and coordinator disks.

Symantec also supports server-based fencing with a single coordination point which is a single highly available CP server that is hosted on an SFHA cluster.

---

**Warning:** For server-based fencing configurations that use a single coordination point (CP server), the coordination point becomes a single point of failure. In such configurations, the arbitration facility is not available during a failover of the CP server in the SFHA cluster. So, if a network partition occurs on any application cluster during the CP server failover, the application cluster is brought down. Symantec recommends the use of single CP server-based fencing only in test environments.

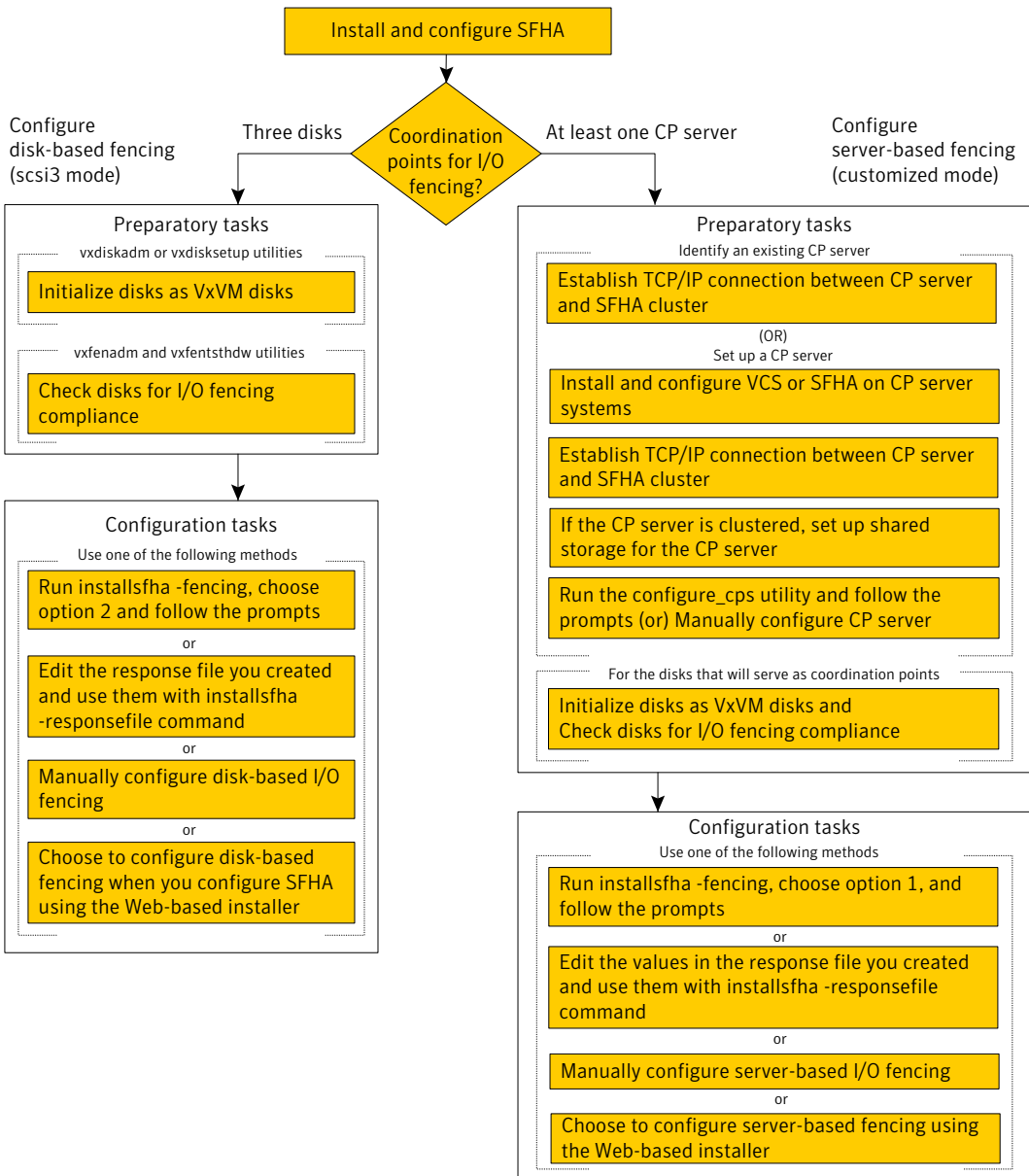
---

If you have installed SFHA in a virtual environment that is not SCSI-3 PR compliant, you can configure non-SCSI-3 server-based fencing.

See [Figure 7-2](#) on page 70.

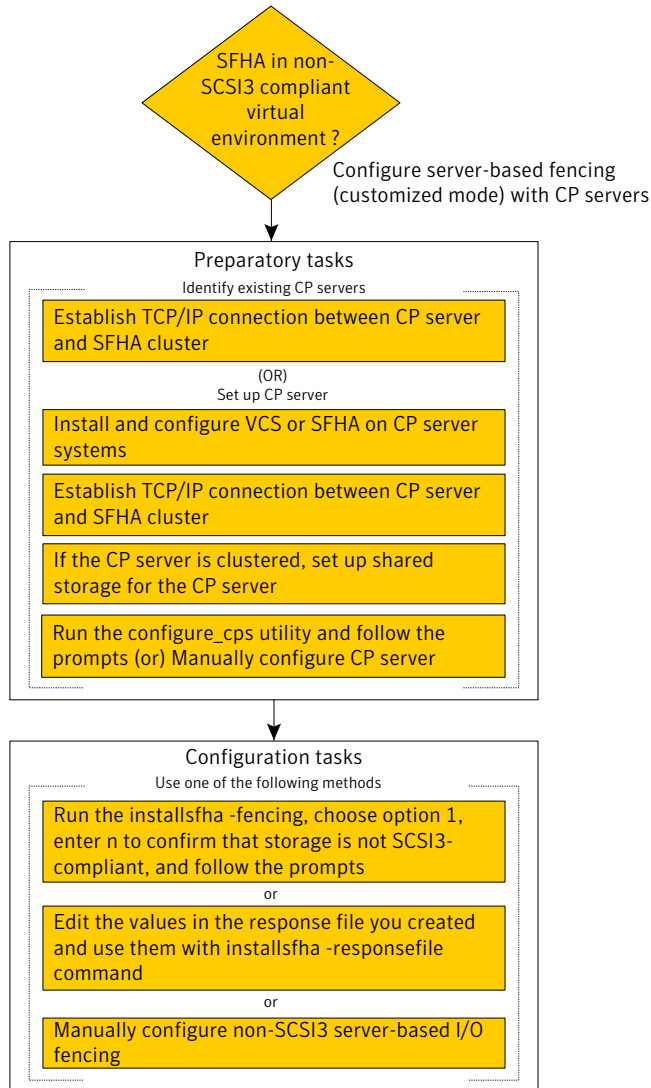
[Figure 7-1](#) illustrates a high-level flowchart to configure I/O fencing for the SFHA cluster.

**Figure 7-1** Workflow to configure I/O fencing



**Figure 7-2** illustrates a high-level flowchart to configure non-SCSI-3 server-based I/O fencing for the SFHA cluster in virtual environments that do not support SCSI-3 PR.

Figure 7-2 Workflow to configure non-SCSI-3 server-based I/O fencing



After you perform the preparatory tasks, you can use any of the following methods to configure I/O fencing:

- Using the `installsfha`
  - See [“Setting up disk-based I/O fencing using `installsfha`”](#) on page 118.
  - See [“Setting up server-based I/O fencing using `installsfha`”](#) on page 126.
  - See [“Setting up non-SCSI-3 server-based I/O fencing in virtual environments using `installsfha`”](#) on page 134.
- Using the Web-based installer
  - See [“Configuring SFHA for data integrity using the Web-based installer”](#) on page 151.
- Using response files
  - See [“Response file variables to configure disk-based I/O fencing”](#) on page 177.
  - See [“Response file variables to configure server-based I/O fencing”](#) on page 181.
  - See [“Response file variables to configure non-SCSI-3 server-based I/O fencing”](#) on page 183.
  - See [“Configuring I/O fencing using response files”](#) on page 176.
- Manually editing configuration files
  - See [“Setting up disk-based I/O fencing manually”](#) on page 204.
  - See [“Setting up server-based I/O fencing manually”](#) on page 210.
  - See [“Setting up non-SCSI-3 fencing in virtual environments manually”](#) on page 218.

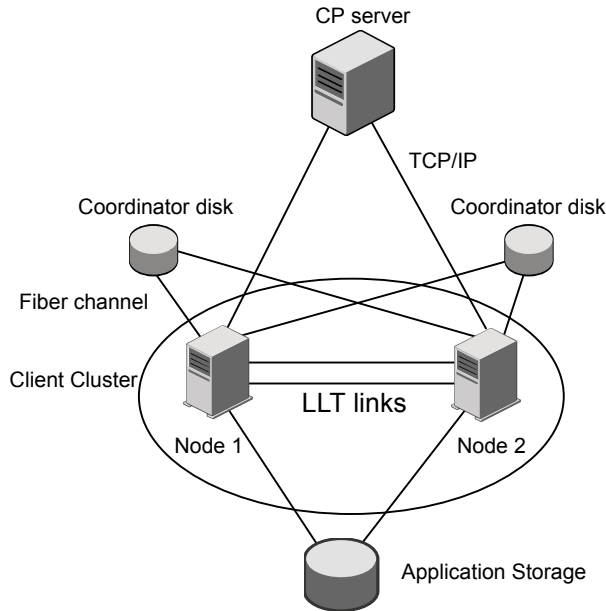
You can also migrate from one I/O fencing configuration to another.

See the *Veritas Storage foundation High Availability Administrator's Guide* for more details.

## Typical SF HA cluster configuration with server-based I/O fencing

[Figure 7-3](#) displays a configuration using a SF HA cluster (with two nodes), a single CP server, and two coordinator disks. The nodes within the SF HA cluster are connected to and communicate with each other using LLT links.

**Figure 7-3** CP server, SF HA cluster, and coordinator disks



## Recommended CP server configurations

Following are the recommended CP server configurations:

- Multiple application clusters use three CP servers as their coordination points  
 See [Figure 7-4](#) on page 73.
- Multiple application clusters use a single CP server and single or multiple pairs of coordinator disks (two) as their coordination points  
 See [Figure 7-5](#) on page 74.
- Multiple application clusters use a single CP server as their coordination point  
 This single coordination point fencing configuration must use a highly available CP server that is configured on an SFHA cluster as its coordination point.  
 See [Figure 7-6](#) on page 74.

---

**Warning:** In a single CP server fencing configuration, arbitration facility is not available during a failover of the CP server in the SFHA cluster. So, if a network partition occurs on any application cluster during the CP server failover, the application cluster is brought down.

---



Although the recommended CP server configurations use three coordination points, you can use more than three coordination points for I/O fencing. Ensure that the total number of coordination points you use is an odd number. In a configuration where multiple application clusters share a common set of CP server coordination points, the application cluster as well as the CP server use a Universally Unique Identifier (UUID) to uniquely identify an application cluster.

Figure 7-4 displays a configuration using three CP servers that are connected to multiple application clusters.

**Figure 7-4** Three CP servers connecting to multiple application clusters

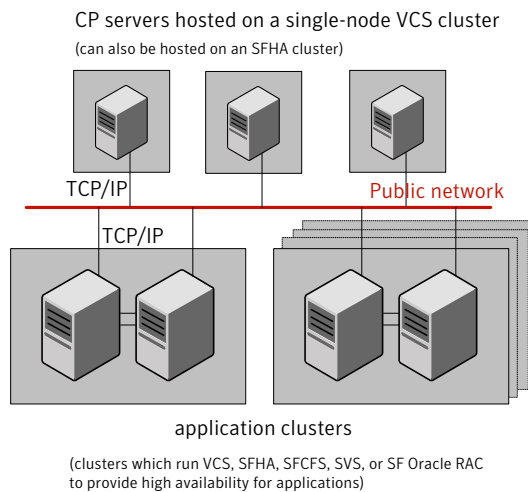


Figure 7-5 displays a configuration using a single CP server that is connected to multiple application clusters with each application cluster also using two coordinator disks.

**Figure 7-5** Single CP server with two coordinator disks for each application cluster

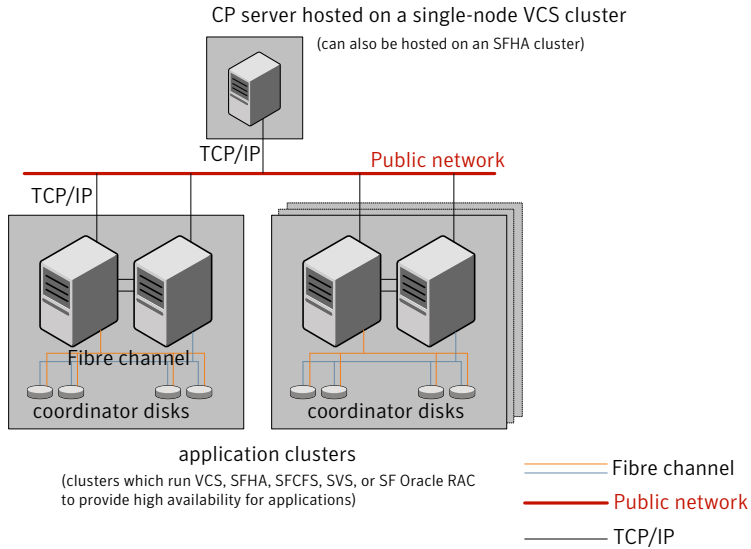
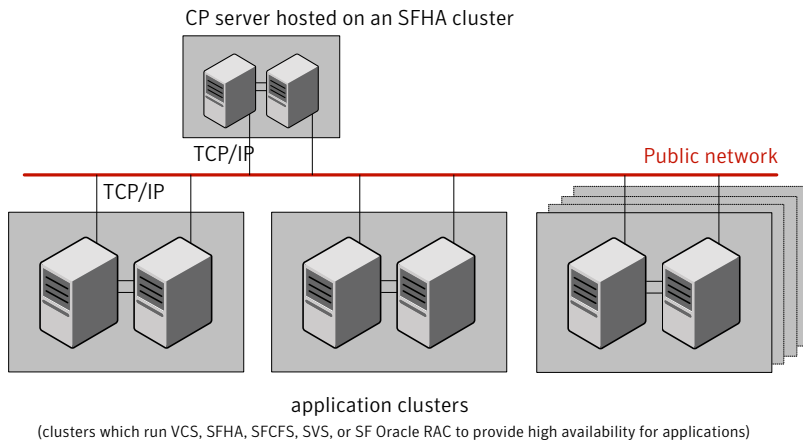


Figure 7-6 displays a configuration using a single CP server that is connected to multiple application clusters.

**Figure 7-6** Single CP server connecting to multiple application clusters



See "Configuration diagrams for setting up server-based I/O fencing" on page 476.

# Setting up the CP server

Table 7-1 lists the tasks to set up the CP server for server-based I/O fencing.

**Table 7-1** Tasks to set up CP server for server-based I/O fencing

| Task   | Reference  |
|--|--|
| Plan your CP server setup                        | See <a href="#">“Planning your CP server setup”</a> on page 75.  |
| Install the CP server                            | See <a href="#">“Installing the CP server using the installer”</a> on page 76.   |
| Configure the CP server cluster in secure mode   | See <a href="#">“Configuring the CP server cluster in secure mode”</a> on page 77.   |
| Set up shared storage for the CP server database | See <a href="#">“Setting up shared storage for the CP server database”</a> on page 78.   |
| Configure the CP server                          | See <a href="#">“Configuring the CP server using the installer program”</a> on page 79.<br>See <a href="#">“Configuring the CP server using the Web-based installer”</a> on page 94.<br>See <a href="#">“Configuring the CP server manually”</a> on page 88.<br>See <a href="#">“Configuring CP server using response files”</a> on page 90. |
| Verify the CP server configuration               | See <a href="#">“Verifying the CP server configuration”</a> on page 94.  |

## Planning your CP server setup

Follow the planning instructions to set up CP server for server-based I/O fencing.

### To plan your CP server setup

- 1 Decide whether you want to host the CP server on a single-node VCS cluster, or on an SFHA cluster.  
Symantec recommends hosting the CP server on an SFHA cluster to make the CP server highly available.
- 2 If you host the CP server on an SFHA cluster, review the following information. Make sure you make the decisions and meet these prerequisites when you set up the CP server:

- You must set up shared storage for the CP server database during your CP server setup.
  - Decide whether you want to configure server-based fencing for the SF HA cluster (application cluster) with a single CP server as coordination point or with at least three coordination points.  
Symantec recommends using at least three coordination points.
- 3 Decide whether you want to configure the CP server cluster in secure mode.  
Symantec recommends configuring the CP server cluster in secure mode to secure the communication between the CP server and its clients (SFHA clusters). It also secures the HAD communication on the CP server cluster.
- 4 Set up the hardware and network for your CP server.  
See [“CP server requirements”](#) on page 34.
- 5 Have the following information handy for CP server configuration:
- Name for the CP server  
The CP server name should not contain any special characters. CP server name can include alphanumeric characters, underscore, and hyphen.
  - Port number for the CP server  
Allocate a TCP/IP port for use by the CP server.  
Valid port range is between 49152 and 65535. The default port number is 14250.
  - Virtual IP address, network interface, netmask, and networkhosts for the CP server  
You can configure multiple virtual IP addresses for the CP server.

## Installing the CP server using the installer

Perform the following procedure to install and configure VCS or SFHA on CP server systems.

### To install and configure VCS or SFHA on the CP server systems

- ◆ Depending on whether your CP server uses a single system or multiple systems, perform the following tasks:

|                                       |   |
|---------------------------------------|---|
| CP server setup uses a single system  | <p>Install and configure VCS to create a single-node VCS cluster.</p> <p>During installation, make sure to select all packages for installation. The VRTScps package is installed only if you select to install all packages.</p> <p>See the <i>Veritas Cluster Server Installation Guide</i> for instructions on installing and configuring VCS.</p> <p>Proceed to configure the CP server.</p> <p>See “<a href="#">Configuring the CP server using the installer program</a>” on page 79.</p> <p>See “<a href="#">Configuring the CP server manually</a>” on page 88.</p> |
| CP server setup uses multiple systems | <p>Install and configure SFHA to create an SFHA cluster. This makes the CP server highly available.</p> <p>Meet the following requirements for CP server:</p> <ul style="list-style-type: none"> <li>■ During installation, make sure to select all packages for installation. The VRTScps package is installed only if you select to install all packages.</li> <li>■ During configuration, configure disk-based fencing (scsi3 mode).</li> </ul> <p>Proceed to set up shared storage for the CP server database.</p>  |

## Configuring the CP server cluster in secure mode

You must configure security on the CP server only if you want to secure the communication between the CP server and the SF HA cluster (CP client).

This step secures the HAD communication on the CP server cluster.

---

**Note:** If you already configured the CP server cluster in secure mode during the VCS configuration, then skip this section.

---

**To configure the CP server cluster in secure mode**

- ◆ Run the installer as follows to configure the CP server cluster in secure mode.

If you have VCS installed on the CP server, run the following command:

```
# /opt/VRTS/install/installvcs<version> -security
```

Where *<version>* is the specific release version.

See [“About the Veritas installer”](#) on page 40.

If you have SFHA installed on the CP server, run the following command:

```
# /opt/VRTS/install/installsfha<version> -security
```

Where *<version>* is the specific release version.

See [“About the Veritas installer”](#) on page 40.

## Setting up shared storage for the CP server database

If you configured SFHA on the CP server cluster, perform the following procedure to set up shared storage for the CP server database.

Symantec recommends that you create a mirrored volume for the CP server database and that you use the VxFS file system type.

### To set up shared storage for the CP server database

- 1 Create a disk group containing the disks. You require two disks to create a mirrored volume.

For example:

```
# vxdg init cps_dg disk1 disk2
```

- 2 Create a mirrored volume over the disk group.

For example:

```
# vxassist -g cps_dg make cps_vol volume_size layout=mirror
```

- 3 Create a file system over the volume.

The CP server configuration utility only supports vxfs file system type. If you use an alternate file system, then you must configure CP server manually.

Depending on the operating system that your CP server runs, enter the following command:

```
AIX # mkfs -V vxfs /dev/vx/rdisk/cps_dg/cps_volume
```

```
HP-UX # mkfs -F vxfs /dev/vx/rdisk/cps_dg/cps_volume
```

```
Linux # mkfs -t vxfs /dev/vx/rdisk/cps_dg/cps_volume
```

```
Solaris # mkfs -F vxfs /dev/vx/rdisk/cps_dg/cps_volume
```

## Configuring the CP server using the installer program

Use the `configcps` option available in the installer program to configure the CP server.

Perform one of the following procedures:

For CP servers on single-node VCS cluster: See [“To configure the CP server on a single-node VCS cluster”](#) on page 80.

For CP servers on an SFHA cluster: See [“To configure the CP server on an SFHA cluster”](#) on page 84.

**To configure the CP server on a single-node VCS cluster**

1 Verify that the `VRTScps` package is installed on the node.

2 Run the `installvcs<version>` program with the `configcps` option.

```
# /opt/VRTS/install/installvcs<version> -configcps
```

Where `<version>` is the specific release version.

See [“About the Veritas installer”](#) on page 40.

3 Installer checks the cluster information and prompts if you want to configure CP Server on the cluster.

Enter `y` to confirm.

4 Select an option based on how you want to configure Coordination Point server.

```
1) Configure Coordination Point Server on single node VCS system
2) Configure Coordination Point Server on SFHA cluster
3) Unconfigure Coordination Point Server
```

5 Enter the option: `[1-3,q] 1`.

The installer then runs the following preconfiguration checks:

- Checks to see if a single-node VCS cluster is running with the supported platform.

The CP server requires VCS to be installed and configured before its configuration.

- Checks to see if the CP server is already configured on the system. If the CP server is already configured, then the installer informs the user and requests that the user unconfigure the CP server before trying to configure it.

6 Enter the name of the CP Server.

```
Enter the name of the CP Server: [b] mycpserver1
```



- 7 Enter valid virtual IP addresses for the CP Server. A CP Server can be configured with more than one virtual IP address. You can also use IPv6 address.

Enter valid IP addresses for Virtual IPs for the CP Server, separated by space [b] **10.200.58.231 10.200.58.232**

---

**Note:** Ensure that the virtual IP address of the CP server and the IP address of the NIC interface on the CP server belongs to the same subnet of the IP network. This is required for communication to happen between client nodes and CP server.

---

- 8 Enter the corresponding CP server port number for each virtual IP address or press Enter to accept the default value (14250).

Enter corresponding port number for each Virtual IP address in the range [49152, 65535], separated by space, or simply accept the default port suggested: [b] **(14250) 65535**

- 9 Choose whether the communication between the CP server and the VCS clusters has to be made secure. If you have not configured the CP server cluster in secure mode, enter **n** at the prompt.

---

**Warning:** If the CP server cluster is not configured in secure mode, and if you enter **y**, then the script immediately exits. You must configure the CP server cluster in secure mode and rerun the CP server configuration script.

---

Symantec recommends secure communication between the CP server and application clusters. Enabling security requires Symantec Product Authentication Service to be installed and configured on the cluster. Do you want to enable Security for the communications? [y,n,q,b] (y) **n**

- 10 Enter the absolute path of the CP server database or press **Enter** to accept the default value (/etc/VRTScps/db).

Enter absolute path of the database: [b] **(/etc/VRTScps/db)**

**11 Verify and confirm the CP server configuration information.**

```
CP Server configuration verification:
-----
CP Server Name: mycpserver1
CP Server Virtual IP(s): 10.200.58.231, 10.200.58.232
CP Server Port(s): 65535, 14250
CP Server Security: 0
CP Server Database Dir: /etc/VRTScps/db
-----
```

Is this information correct? [y,n,q,?] **(y)**

**12 The installer proceeds with the configuration process, and creates a vxcps.conf configuration file.**

```
Successfully generated the /etc/vxcps.conf configuration file
Successfully created directory /etc/VRTScps/db on node
```

**13 Configure the CP Server Service Group (CPSSG) for this cluster.**

```
Enter the number of NIC resources that you want to configure.
You must use a public NIC.
Enter how many NIC resources you want to configure (1 to 2): 2
```

Answer the following questions for each NIC resource that you want to configure.

**14 Enter a valid network interface for the virtual IP address for the CP server process.**

```
Enter a valid network interface on sol92216 for NIC resource - 1: e1000g0
Enter a valid network interface on sol92216 for NIC resource - 2: e1000g1
```

**15 Enter the NIC resource you want to associate with the virtual IP addresses.**

```
Enter the NIC resource you want to associate with the virtual IP 10.200.58.231 (1 to 2): 1
Enter the NIC resource you want to associate with the virtual IP 10.200.58.232 (1 to 2): 2
```

**16 Enter the networkhosts information for each NIC resource.**

Symantec recommends configuring NetworkHosts attribute to ensure NIC resource to be always online

```
Do you want to add NetworkHosts attribute for the NIC device e1000g0
on system sol92216? [y,n,q] y
Enter a valid IP address to configure NetworkHosts for NIC e1000g0
on system sol92216: 10.200.56.22
```

```
Do you want to add another Network Host? [y,n,q] n
```

**17 Enter the netmask for virtual IP addresses. If you entered an IPv6 address, enter the prefix details at the prompt.**

```
Enter the netmask for virtual IP 10.200.58.231: (255.255.252.0)
Enter the netmask for virtual IP 10.200.58.232: (255.255.252.0)
```

**18 Installer displays the status of the Coordination Point Server configuration. After the configuration process has completed, a success message appears.**

```
For example:
Updating main.cf with CPSSG service group.. Done
Successfully added the CPSSG service group to VCS configuration.
Trying to bring CPSSG service group
ONLINE and will wait for upto 120 seconds
```

```
The Veritas Coordination Point Server is ONLINE
```

```
The Veritas Coordination Point Server has been
configured on your system.
```

**19 Run the hagrps -state command to ensure that the CPSSG service group has been added.**

```
For example:
# hagrps -state CPSSG
#Group Attribute System Value
CPSSG State... |ONLINE|
```

It also generates the configuration file for CP server (/etc/vxcps.conf). The vxcpserv process and other resources are added to the VCS configuration in the CP server service group (CPSSG).

For information about the CPSSG, refer to the *Veritas Cluster Server Administrator's Guide*.

### To configure the CP server on an SFHA cluster

- 1 Verify that the `VRTScps` package is installed on each node.
- 2 Ensure that you have configured passwordless ssh or rsh on the CP server cluster nodes.
- 3 Run the `installsfha<version>` program with the `configcps` option.

```
# ./installsfha<version> -configcps
```

Where `<version>` is the specific release version.

See [“About the Veritas installer”](#) on page 40.

- 4 Installer checks the cluster information and prompts if you want to configure CP Server on the cluster.  
 Enter `y` to confirm.
- 5 Select an option based on how you want to configure Coordination Point server.

```
1) Configure Coordination Point Server on single node VCS system
2) Configure Coordination Point Server on SFHA cluster
3) Unconfigure Coordination Point Server
```

- 6 Enter `2` at the prompt to configure CP server on an SFHA cluster.

The installer then runs the following preconfiguration checks:

- Checks to see if an SFHA cluster is running with the supported platform. The CP server requires SFHA to be installed and configured before its configuration.
- Checks to see if the CP server is already configured on the system. If the CP server is already configured, then the installer informs the user and requests that the user unconfigure the CP server before trying to configure it.

- 7 Enter the name of the CP server.

```
Enter the name of the CP Server: [b] cps1
```

- 8 Enter valid virtual IP addresses for the CP Server. A CP Server can be configured with more than one virtual IP address. You can also use IPv6 address.

```
Enter valid IP addresses for Virtual IPs for the CP Server,
separated by space [b] 10.200.58.231 10.200.58.232
```

- 9 Enter the corresponding CP server port number for each virtual IP address or press Enter to accept the default value (14250).

Enter corresponding port number for each Virtual IP address in the range [49152, 65535], separated by space, or simply accept the default port suggested: [b] **(14250) 65535**

- 10 Choose whether the communication between the CP server and the VCS clusters has to be made secure. If you have not configured the CP server cluster in secure mode, enter **n** at the prompt.

---

**Warning:** If the CP server cluster is not configured in secure mode, and if you enter **y**, then the script immediately exits. You must configure the CP server cluster in secure mode and rerun the CP server configuration script.

---

Symantec recommends secure communication between the CP server and application clusters. Enabling security requires Symantec Product Authentication Service to be installed and configured on the cluster.

Do you want to enable Security for the communications? [y,n,q,b] **(y)**

- 11 Enter absolute path of the database.

CP Server uses an internal database to store the client information. As the CP Server is being configured on SFHA cluster, the database should reside on shared storage with vxfs file system. Please refer to documentation for information on setting up of shared storage for CP server database.

Enter absolute path of the database: [b] **/cpsdb**

- 12 Verify and confirm the CP server configuration information.

CP Server configuration verification:

```
CP Server Name: cps1
CP Server Virtual IP(s): 10.200.58.231, 10.200.58.232
CP Server Port(s): 65535, 14250
CP Server Security: 1
CP Server Database Dir: /cpsdb
```

Is this information correct? [y,n,q,?] **(y)**

**13** The installer proceeds with the configuration process, and creates a vxcps.conf configuration file.

```
Successfully generated the /etc/vxcps.conf configuration file
Copying configuration file /etc/vxcps.conf to sys0....Done
Creating mount point /cps_mount_data on sys0. ... Done
Copying configuration file /etc/vxcps.conf to sys0. ... Done
Press Enter to continue.
```

**14** Configure CP Server Service Group (CPSSG) for this cluster.

Enter the number of NIC resources that you want to configure. You must use a public NIC.

Enter how many NIC resources you want to configure (1 to 2): **2**

Answer the following questions for each NIC resource that you want to configure.

**15** Enter a valid network interface for the virtual IP address for the CP server process.

```
Enter a valid network interface on sol92216 for NIC resource - 1: e1000g0
Enter a valid network interface on sol92216 for NIC resource - 2: e1000g1
```

**16** Enter the NIC resource you want to associate with the virtual IP addresses.

```
Enter the NIC resource you want to associate with the virtual IP 10.200.58.231 (1 to 2): 1
Enter the NIC resource you want to associate with the virtual IP 10.200.58.232 (1 to 2): 2
```

**17** Enter the networkhosts information for each NIC resource.

Symantec recommends configuring NetworkHosts attribute to ensure NIC resource to be always online

```
Do you want to add NetworkHosts attribute for the NIC device e1000g0
on system sol92216? [y,n,q] y
```

```
Enter a valid IP address to configure NetworkHosts for NIC e1000g0
on system sol92216: 10.200.56.22
```

```
Do you want to add another Network Host? [y,n,q] n
```

```
Do you want to apply the same NetworkHosts for all systems? [y,n,q] (y)
```

- 18** Enter the netmask for virtual IP addresses. If you entered an IPv6 address, enter the prefix details at the prompt.

```
Enter the netmask for virtual IP 10.200.58.231: (255.255.252.0)
Enter the netmask for virtual IP 10.200.58.232: (255.255.252.0)
```

- 19** Configure a disk group for CP server database. You can choose an existing disk group or create a new disk group.

```
Symantec recommends to use the disk group that has at least
two disks on which mirrored volume can be created.
Select one of the options below for CP Server database disk group:
```

- 1) Create a new disk group
- 2) Using an existing disk group

```
Enter the choice for a disk group: [1-2,q] 2
```

- 20** Select one disk group as the CP Server database disk group.

```
Select one disk group as CP Server database disk group: [1-3,q] 3
1) mycpsdg
2) cpsdgl
3) newcpsdg
```

- 21** Select the CP Server database volume.

You can choose to use an existing volume or create new volume for CP Server database. If you chose newly created disk group, you can only choose to create new volume for CP Server database.

```
Select one of the options below for CP Server database volume:
```

- 1) Create a new volume on disk group newcpsdg
- 2) Using an existing volume on disk group newcpsdg

- 22** Enter the choice for a volume: [1-2,q] 2.

- 23** Select one volume as CP Server database volume [1-1,q] 1

```
1) newcpsvol
```

- 24** After the VCS configuration files are updated, a success message appears.

```
For example:
Updating main.cf with CPSSG service group .... Done
Successfully added the CPSSG service group to VCS configuration.
```

- 25** If the cluster is secure, installer creates the softlink `/var/VRTSvcs/vcsauth/data/CPSERVER` to `/cpsdb/CPSERVER` and check if credentials are already present at `/cpsdb/CPSERVER`. If not, installer creates credentials in the directory, otherwise, installer asks if you want to reuse existing credentials.

```
Do you want to reuse these credentials? [y,n,q] (y)
```

- 26** After the configuration process has completed, a success message appears.

```
For example:
Trying to bring CPSSG service group ONLINE and will wait for upto 120 seconds
The Veritas Coordination Point Server is ONLINE
The Veritas Coordination Point Server has been configured on your system.
```

- 27** Run the `hagrp -state` command to ensure that the CPSSG service group has been added.

```
For example:
# hagrp -state CPSSG
#Group Attribute System Value
CPSSG State cps1 |ONLINE|
CPSSG State cps2 |OFFLINE|
```

It also generates the configuration file for CP server (`/etc/vxcps.conf`). The `vxcpserv` process and other resources are added to the VCS configuration in the CP server service group (CPSSG).

For information about the CPSSG, refer to the *Veritas Cluster Server Administrator's Guide*.

## Configuring the CP server manually

Perform the following steps to manually configure the CP server.



**To manually configure the CP server**

- 1 Stop VCS on each node in the CP server cluster using the following command:

```
# hstop -local
```

- 2 Edit the `main.cf` file to add the CPSSG service group on any node. Use the CPSSG service group in the sample `main.cf` as an example:

See [“Sample configuration files for CP server”](#) on page 442.

Customize the resources under the CPSSG service group as per your configuration.

- 3 Verify the `main.cf` file using the following command:

```
# hacf -verify /etc/VRTSvcs/conf/config
```

If successfully verified, copy this `main.cf` to all other cluster nodes.

- 4 Create the `/etc/vxcps.conf` file using the sample configuration file provided at `/etc/vxcps/vxcps.conf.sample`.

Based on whether you have configured the CP server cluster in secure mode or not, do the following:

- For a CP server cluster which is configured in secure mode, edit the `/etc/vxcps.conf` file to set `security=1`.
- For a CP server cluster which is not configured in secure mode, edit the `/etc/vxcps.conf` file to set `security=0`.

Symantec recommends enabling security for communication between CP server and the application clusters.

- 5 Start VCS on all the cluster nodes.

```
# hstart
```

- 6 Verify that the CP server service group (CPSSG) is online.

```
# hagr -state CPSSG
```

Output similar to the following appears:

```
# Group Attribute System Value
CPSSG State cps1.symantecexample.com |ONLINE|
```

## Configuring CP server using response files

You can configure a CP server using a generated responsefile.

On a single node VCS cluster:

- ◆ Run the `installvcs<version>` command with the responsefile option to configure the CP server on a single node VCS cluster.

```
# /opt/VRTS/install/installvcs<version> \
-responsefile '/tmp/sample1.res'
```

Where `<version>` is the specific release version.

See [“About the Veritas installer”](#) on page 40.

On a SFHA cluster:

- ◆ Run the `installsfha<version>` command with the responsefile option to configure the CP server on a SFHA cluster.

```
# /opt/VRTS/install/installsfha<version> \
-responsefile '/tmp/sample1.res'
```

Where `<version>` is the specific release version.

See [“About the Veritas installer”](#) on page 40.

## Response file variables to configure CP server

[Table 7-2](#) shows the response file variables required to configure CP server.

**Table 7-2** describes response file variables to configure CP server

| Variable                   | List or Scalar | Description   |
|----------------------------|----------------|---|
| CFG{opt}{configcps}        | Scalar         | This variable performs CP server configuration task                                     |
| CFG{cps_singlenode_config} | Scalar         | This variable describes if the CP server will be configured on a singlenode VCS cluster |
| CFG{cps_sfha_config}       | Scalar         | This variable describes if the CP server will be configured on a SFHA cluster           |
| CFG{cps_unconfig}          | Scalar         | This variable describes if the CP server will be unconfigured                           |

**Table 7-2** describes response file variables to configure CP server (*continued*)

| Variable                          | List or Scalar | Description  |
|-----------------------------------|----------------|--|
| CFG{cpsname}                      | Scalar         | This variable describes the name of the CP server  |
| CFG{cps_db_dir}                   | Scalar         | This variable describes the absolute path of CP server database                                    |
| CFG{cps_security}                 | Scalar         | This variable describes if security is configured for the CP server                                |
| CFG{cps_reuse_cred}               | Scalar         | This variable describes if reusing the existing credentials for the CP server                      |
| CFG{cps_vips}                     | List           | This variable describes the virtual IP addresses for the CP server                                 |
| CFG{cps_ports}                    | List           | This variable describes the port number for the virtual IP addresses for the CP server             |
| CFG{cps_nic_list}{cpsvip<n>}      | List           | This variable describes the NICs of the systems for the virtual IP address                         |
| CFG{cps_netmasks}                 | List           | This variable describes the netmasks for the virtual IP addresses                                  |
| CFG{cps_prefix_length}            | List           | This variable describes the prefix length for the virtual IP addresses                             |
| CFG{cps_network_hosts}{cpsnic<n>} | List           | This variable describes the network hosts for the NIC resource                                     |
| CFG{cps_vip2nicres_map}{<vip>}    | Scalar         | This variable describes the NIC resource to associate with the virtual IP address                  |
| CFG{cps_diskgroup}                | Scalar         | This variable describes the disk group for the CP server database                                  |
| CFG{cps_volume}                   | Scalar         | This variable describes the volume for the CP server database                                      |
| CFG{cps_newdg_disks}              | List           | This variable describes the disks to be used to create a new disk group for the CP server database |

**Table 7-2** describes response file variables to configure CP server (*continued*)

| Variable                   | List or Scalar | Description  |
|----------------------------|----------------|--|
| CFG{cps_newvol_volsize}    | Scalar         | This variable describes the volume size to create a new volume for the CP server database                      |
| CFG{cps_delete_database}   | Scalar         | This variable describes if deleting the database of the CP server during the unconfiguration                   |
| CFG{cps_delete_config_log} | Scalar         | This variable describes if deleting the config files and log files of the CP server during the unconfiguration |

## Sample response file for configuring the CP server on single node VCS cluster

Review the response file variables and their definitions.

See [Table 7-2](#) on page 90.

```
#
# Configuration Values:
#
our %CFG;

$CFG{cps_db_dir}="/etc/VRTScps/db";
$CFG{cps_netmasks}=[ qw(255.255.252.0) ];
$CFG{cps_network_hosts}{cpsnic1}=[ qw(10.200.56.22) ];
$CFG{cps_nic_list}{cpsvip1}=[ qw(e1000g0) ];
$CFG{cps_ports}=[ qw(14250) ];
$CFG{cps_security}=0;
$CFG{cps_singlenode_config}=1;
$CFG{cps_vip2nicres_map}{"10.200.58.233"}=1;
$CFG{cps_vips}=[ qw(10.200.58.233) ];
$CFG{cpsname}="cps1";
$CFG{opt}{configcps}=1;
$CFG{opt}{configure}=1;
$CFG{prod}="VCS601";
$CFG{systems}=[ qw(cps1) ];
$CFG{vcs_clusterid}=18523;
$CFG{vcs_clustername}="vcs92216";
```

```
1;
```

## Sample response file for configuring the CP server on SFHA cluster

Review the response file variables and their definitions.

See [Table 7-2](#) on page 90.

```
#
# Configuration Values:
#
our %CFG;

$CFG{cps_db_dir}="/cpsdb";
$CFG{cps_diskgroup}="mycpsdg";
$CFG{cps_netmasks}=[ qw(255.255.252.0 255.255.252.0) ];
$CFG{cps_network_hosts}{cpsnic1}=[ qw(10.200.56.22) ];
$CFG{cps_network_hosts}{cpsnic2}=[ qw(10.200.56.22) ];
$CFG{cps_nic_list}{cpsvip1}=[ qw( e1000g0 e1000g1) ];
$CFG{cps_nic_list}{cpsvip2}=[ qw( e1000g0 e1000g1) ];
$CFG{cps_ports}=[ qw(65533 14250) ];
$CFG{cps_security}=1;
$CFG{cps_fips_mode}=0;
$CFG{cps_sfha_config}=1;
$CFG{cps_vip2nicres_map}{"10.200.58.231"}=1;
$CFG{cps_vip2nicres_map}{"10.200.58.232"}=2;
$CFG{cps_vips}=[ qw(10.200.58.231 10.200.58.232) ];
$CFG{cps_volume}="mycpsvol";
$CFG{cpsname}="cps1";
$CFG{opt}{configcps}=1;
$CFG{opt}{configure}=1;
$CFG{prod}="SFHA601";
$CFG{systems}=[ qw(cps1 cps2) ];
$CFG{vcs_clusterid}=46707;
$CFG{vcs_clustername}="sfha2233";

1;
```

## Verifying the CP server configuration

Perform the following steps to verify the CP server configuration.

### To verify the CP server configuration

- 1 Verify that the following configuration files are updated with the information you provided during the CP server configuration process:
  - `/etc/vxcps.conf` (CP server configuration file)
  - `/etc/VRTSvcs/conf/config/main.cf` (VCS configuration file)
  - `/etc/VRTScps/db` (default location for CP server database)
- 2 Run the `cpsadm` command to check if the `vxcpserv` process is listening on the configured Virtual IP.

```
# cpsadm -s cp_server -a ping_cps
```

where `cp_server` is the virtual IP address or the virtual hostname of the CP server.

## Configuring the CP server using the Web-based installer

Perform the following steps to configure the CP server using the Web-based installer.

### To configure SFHA on a cluster

- 1 Start the Web-based installer.  
 See [“Starting the Veritas Web-based installer”](#) on page 141.
- 2 On the Select a task and a product page, select the task and the product as follows:

|         |  |
|---------|--|
| Task    | I/O fencing configuration                |
| Product | Storage Foundation and High Availability |

Click **Next**.

- 3 On the Select Cluster page, enter the system names where you want to configure SFHA and click **Next**.
- 4 In the Confirmation dialog box, verify cluster information is correct and choose whether or not to configure I/O fencing.
  - To configure I/O fencing, click **Yes**.
  - To configure I/O fencing later, click **No**.
- 5 On the Select Option page, select Configure CP Server on VCS and click **Next**.

- 6 On the Configure CP Server page, provide CP server information, such as, name, virtual IPs, port numbers, and absolute path of the database to store the configuration details.  
Click **Next**.
- 7 Configure the CP Server Service Group (CPSSG), select the number of NIC resources, and associate NIC resources to virtual IPs that are going to be used to configure the CP Server.  
Click **Next**.
- 8 Configure network hosts for the CP server.  
Click **Next**.
- 9 Configure disk group for the CP server.  
Click **Next**.

---

**Note:** This step is not applicable for a single node cluster.

---

- 10 Configure volume for the disk group associated to the CP server.  
Click **Next**.

---

**Note:** This step is not applicable for a single node cluster.

---

- 11 Click **Finish** to complete configuring the CP server.

# Configuring SFHA

This chapter includes the following topics:

- [Configuring Storage Foundation High Availability using the installer](#)

## Configuring Storage Foundation High Availability using the installer

Storage Foundation HA configuration requires configuring the HA (VCS) cluster. Perform the following tasks to configure the cluster.

### Overview of tasks to configure SFHA using the script-based installer

[Table 8-1](#) lists the tasks that are involved in configuring SFHA using the script-based installer.

**Table 8-1** Tasks to configure SFHA using the script-based installer

| Task   | Reference   |
|--|---|
| Start the software configuration                       | See <a href="#">“Starting the software configuration”</a> on page 98.   |
| Specify the systems where you want to configure SFHA   | See <a href="#">“Specifying systems for configuration”</a> on page 99.  |
| Configure the basic cluster                            | See <a href="#">“Configuring the cluster name”</a> on page 100.<br>See <a href="#">“Configuring private heartbeat links”</a> on page 100. |
| Configure virtual IP address of the cluster (optional) | See <a href="#">“Configuring the virtual IP of the cluster”</a> on page 103.  |



**Table 8-1** Tasks to configure SFHA using the script-based installer (*continued*)

| Task  | Reference  |
|---|--|
| Configure the cluster in secure mode (optional)   | See “ <a href="#">Configuring Storage Foundation and High Availability in secure mode</a> ” on page 104. |
| Add VCS users (required if you did not configure the cluster in secure mode)  | See “ <a href="#">Adding VCS users</a> ” on page 109.  |
| Configure SMTP email notification (optional)  | See “ <a href="#">Configuring SMTP email notification</a> ” on page 110.                                 |
| Configure SNMP email notification (optional)  | See “ <a href="#">Configuring SNMP trap notification</a> ” on page 111.                                  |
| Configure global clusters (optional)<br><b>Note:</b> You must have enabled Global Cluster Option when you installed SFHA. | See “ <a href="#">Configuring global clusters</a> ” on page 113.   |
| Complete the software configuration   | See “ <a href="#">Completing the SFHA configuration</a> ” on page 114.                                   |

## Required information for configuring Storage Foundation and High Availability Solutions

To configure Storage Foundation High Availability, the following information is required:

See also the *Veritas Cluster Server Installation Guide*.

- A unique Cluster name
- A unique Cluster ID number between 0-65535
- Two or more NIC cards per system used for heartbeat links  
 One or more heartbeat links are configured as private links and one heartbeat link may be configured as a low priority link.

You can configure Storage Foundation High Availability in secure mode.

Running SFHA in Secure Mode guarantees that all inter-system communication is encrypted and that users are verified with security credentials. When running in Secure Mode, NIS and system usernames and passwords are used to verify identity. SFHA usernames and passwords are no longer used when a cluster is running in Secure Mode.

The following information is required to configure SMTP notification:

- The domain-based hostname of the SMTP server

- The email address of each SMTP recipient
- A minimum severity level of messages to be sent to each recipient

The following information is required to configure SNMP notification:

- System names of SNMP consoles to receive VCS trap messages
- SNMP trap daemon port numbers for each console
- A minimum severity level of messages to be sent to each console

## Starting the software configuration

You can configure SFHA using the Veritas product installer or the `installsfha` command.

---

**Note:** If you want to reconfigure SFHA, before you start the installer you must stop all the resources that are under VCS control using the `hastop` command or the `hagrp -offline` command.

---

### To configure SFHA using the product installer

- 1 Confirm that you are logged in as the superuser and that you have mounted the product disc.
- 2 Start the installer.

```
# ./installer
```

The installer starts the product installation program with a copyright message and specifies the directory where the logs are created.

- 3 From the opening Selection Menu, choose: `c` for "Configure an Installed Product."
- 4 From the displayed list of products to configure, choose the corresponding number for your product:

Storage Foundation and High Availability

**To configure SFHA using the `installsfha` program**

- 1 Confirm that you are logged in as the superuser.
- 2 Start the `installsfha` program, with the `configure` option.

```
# /opt/VRTS/install/installsfha<version> -configure
```

Where `<version>` is the specific release version.

See [“About the Veritas installer”](#) on page 40.

The installer begins with a copyright message and specifies the directory where the logs are created.

## Specifying systems for configuration

The installer prompts for the system names on which you want to configure SFHA. The installer performs an initial check on the systems that you specify.

**To specify system names for configuration**

- 1 Enter the names of the systems where you want to configure SFHA.

```
Enter the operating_system system names separated
by spaces: [q,?] (sys1) sys1 sys2
```

- 2 Review the output as the installer verifies the systems you specify.

The installer does the following tasks:

- Checks that the local node running the installer can communicate with remote nodes
 

If the installer finds `ssh` binaries, it confirms that `ssh` can operate without requests for passwords or passphrases. If `ssh` binaries cannot communicate with remote nodes, the installer tries `remsh` binaries. And if both `ssh` and `rsh` binaries fail, the installer prompts to help the user to setup `ssh` or `rsh` binaries.
- Makes sure that the systems are running with the supported operating system
- Makes sure the installer started from the global zone
- Verifies that SFHA is installed

- Exits if Storage Foundation 6.0.1 is not installed
- 3 Review the installer output about the I/O fencing configuration and confirm whether you want to configure fencing in enabled mode.

```
Do you want to configure I/O Fencing in enabled mode? [y,n,q,?] (y)
```

See [“About planning to configure I/O fencing”](#) on page 67.

## Configuring the cluster name

Enter the cluster information when the installer prompts you.

### To configure the cluster

- 1 Review the configuration instructions that the installer presents.
- 2 Enter a unique cluster name.

```
Enter the unique cluster name: [q,?] clus1
```

## Configuring private heartbeat links

You now configure the private heartbeat links that LLT uses. VCS provides the option to use LLT over Ethernet or over UDP (User Datagram Protocol). Symantec recommends that you configure heartbeat links that use LLT over Ethernet for high performance, unless hardware requirements force you to use LLT over UDP. If you want to configure LLT over UDP, make sure you meet the prerequisites.

See [“Using the UDP layer for LLT”](#) on page 488.

The following procedure helps you configure LLT over Ethernet.

### To configure private heartbeat links

- 1 Choose one of the following options at the installer prompt based on whether you want to configure LLT over Ethernet or UDP.
  - Option 1: LLT over Ethernet (answer installer questions)  
Enter the heartbeat link details at the installer prompt to configure LLT over Ethernet.  
Skip to step 2.
  - Option 2: LLT over UDP (answer installer questions)  
Make sure that each NIC you want to use as heartbeat link has an IP address configured. Enter the heartbeat link details at the installer prompt to configure LLT over UDP. If you had not already configured IP addresses to the NICs, the installer provides you an option to detect the IP address for a given NIC.

Skip to step 3.

- Option 3: Automatically detect configuration for LLT over Ethernet  
 Allow the installer to automatically detect the heartbeat link details to configure LLT over Ethernet. The installer tries to detect all connected links between all systems.  
 Skip to step 5.

---

**Note:** Option 3 is not available when the configuration is a single node configuration.

---

- 2 If you chose option 1, enter the network interface card details for the private heartbeat links.

The installer discovers and lists the network interface cards.

Answer the installer prompts. The following example shows different NICs based on architecture:

- For Solaris SPARC:  
 You must not enter the network interface card that is used for the public network (typically bge0.)

```
Enter the NIC for the first private heartbeat link on sys1:
[b, q, ?] bge0
Would you like to configure a second private heartbeat link?
[y, n, q, b, ?] (y)
Enter the NIC for the second private heartbeat link on sys1:
[b, q, ?] bge1
Would you like to configure a third private heartbeat link?
[y, n, q, b, ?] (n)

Do you want to configure an additional low priority heartbeat
link? [y, n, q, b, ?] (n)
```

- For Solaris x64:  
 You must not enter the network interface card that is used for the public network (typically e1000g0.)

```
Enter the NIC for the first private heartbeat link on sys1:
[b, q, ?] e1000g1
Would you like to configure a second private heartbeat link?
[y, n, q, b, ?] (y)
Enter the NIC for the second private heartbeat link on sys1:
[b, q, ?] e1000g2
```

```
Would you like to configure a third private heartbeat link?
[y,n,q,b,?] (n)
```

- 3** If you chose option 2, enter the NIC details for the private heartbeat links. This step uses examples such as *private\_NIC1* or *private\_NIC2* to refer to the available names of the NICs.

```
Enter the NIC for the first private heartbeat
link on sys1: [b,q,?] private_NIC1
Do you want to use address 192.168.0.1 for the
first private heartbeat link on sys1: [y,n,q,b,?] (y)
Enter the UDP port for the first private heartbeat
link on sys1: [b,q,?] (50000) ?
Would you like to configure a second private
heartbeat link? [y,n,q,b,?] (y)
Enter the NIC for the second private heartbeat
link on sys1: [b,q,?] private_NIC2
Do you want to use address 192.168.1.1 for the
second private heartbeat link on sys1: [y,n,q,b,?] (y)
Enter the UDP port for the second private heartbeat
link on sys1: [b,q,?] (50001) ?
Do you want to configure an additional low priority
heartbeat link? [y,n,q,b,?] (n) y
Enter the NIC for the low priority heartbeat
link on sys1: [b,q,?] (private_NIC0)
Do you want to use address 192.168.3.1 for
the low priority heartbeat link on sys1: [y,n,q,b,?] (y)
Enter the UDP port for the low priority heartbeat
link on sys1: [b,q,?] (50004)
```

- 4** Choose whether to use the same NIC details to configure private heartbeat links on other systems.

```
Are you using the same NICs for private heartbeat links on all
systems? [y,n,q,b,?] (y)
```

If you want to use the NIC details that you entered for sys1, make sure the same NICs are available on each system. Then, enter **y** at the prompt.

For LLT over UDP, if you want to use the same NICs on other systems, you still must enter unique IP addresses on each NIC for other systems.

If the NIC device names are different on some of the systems, enter **n**. Provide the NIC details for each system as the program prompts.

- 5 If you chose option 3, the installer detects NICs on each system and network links, and sets link priority.

If the installer fails to detect heartbeat links or fails to find any high-priority links, then choose option 1 or option 2 to manually configure the heartbeat links.

See step 2 for option 1, or step 3 for option 2.

- 6 Enter a unique cluster ID:

```
Enter a unique cluster ID number between 0-65535: [b,q,?] (60842)
```

The cluster cannot be configured if the cluster ID 60842 is in use by another cluster. Installer performs a check to determine if the cluster ID is duplicate. The check takes less than a minute to complete.

```
Would you like to check if the cluster ID is in use by another
cluster? [y,n,q] (y)
```

- 7 Verify and confirm the information that the installer summarizes.

## Configuring the virtual IP of the cluster

You can configure the virtual IP of the cluster to use to connect from the Cluster Manager (Java Console), Veritas Operations Manager (VOM), or to specify in the RemoteGroup resource.

See the *Veritas Cluster Server Administrator's Guide* for information on the Cluster Manager.

See the *Veritas Cluster Server Bundled Agents Reference Guide* for information on the RemoteGroup agent.

### To configure the virtual IP of the cluster

- 1 Review the required information to configure the virtual IP of the cluster.
- 2 When the system prompts whether you want to configure the virtual IP, enter `y`.
- 3 Confirm whether you want to use the discovered public NIC on the first system. Do one of the following:
  - If the discovered NIC is the one to use, press `Enter`.
  - If you want to use a different NIC, type the name of a NIC to use and press `Enter`.

```
Active NIC devices discovered on sys1: bge0
Enter the NIC for Virtual IP of the Cluster to use on sys1:
[b, q, ?] (bge0)
```

**4** Confirm whether you want to use the same public NIC on all nodes.

Do one of the following:

- If all nodes use the same public NIC, enter *y*.
- If unique NICs are used, enter *n* and enter a NIC for each node.

```
Is bge0 to be the public NIC used by all systems
[y, n, q, b, ?] (y)
```

If you want to set up trust relationships for your secure cluster, refer to the following topics:

See [“Configuring a secure cluster node by node”](#) on page 105.

## Configuring Storage Foundation and High Availability in secure mode

Configuring SFHA in secure mode ensures that all the communication between the systems is encrypted and users are verified against security credentials. SFHA user names and passwords are not used when a cluster is running in secure mode. You can select the secure mode to be FIPS compliant while configuring the secure mode.

### To configure SFHA in secure mode

**1** Enter appropriate choices when the installer prompts you:

```
Would you like to configure the VCS cluster in
secure mode [y,n,q] (n) y
1. Configure the cluster in secure mode without FIPS
2. Configure the cluster in secure mode with FIPS
3. Back to previous menu
Select the option you would like to perform [1-2,b,q] (1) 2
```

**2** To verify the cluster is in secure mode after configuration, run the command:

```
# haclus -<value> SecureClus
```

The command returns 1 if cluster is in secure mode, else returns 0.



## Configuring a secure cluster node by node

For environments that do not support passwordless ssh or passwordless rsh, you cannot use the `-security` option to enable secure mode for your cluster. Instead, you can use the `-securityonnode` option to configure a secure cluster node by node. Moreover, to enable security in fips mode, use the `-fips` option together with `-securityonnode`.

[Table 8-2](#) lists the tasks that you must perform to configure a secure cluster.

**Table 8-2**      Configuring a secure cluster node by node

| Task                                      | Reference  |
|---|--|
| Configure security on one node            | See <a href="#">“Configuring the first node”</a> on page 105.                  |
| Configure security on the remaining nodes | See <a href="#">“Configuring the remaining nodes”</a> on page 106.             |
| Complete the manual configuration steps   | See <a href="#">“Completing the secure cluster configuration”</a> on page 107. |

### Configuring the first node

Perform the following steps on one node in your cluster.

**To configure security on the first node**

- 1 Ensure that you are logged in as superuser.
- 2 Enter the following command:

```
# /opt/VRTS/install/installsfha<version> -securityonnode
```

Where *<version>* is the specific release version.

See [“About the Veritas installer”](#) on page 40.

The installer lists information about the cluster, nodes, and service groups. If VCS is not configured or if VCS is not running on all nodes of the cluster, the installer prompts whether you want to continue configuring security. It then prompts you for the node that you want to configure.

```
VCS is not running on all systems in this cluster. All VCS systems
must be in RUNNING state. Do you want to continue? [y,n,q] (n) y
```

```
1) Perform security configuration on first node and export
security configuration files.
```

```
2) Perform security configuration on remaining nodes with
security configuration files.
```

```
Select the option you would like to perform [1-2,q.?] 1
```

---

**Warning:** All VCS configurations about cluster users are deleted when you configure the first node. You can use the `/opt/VRTSvcs/bin/hauser` command to create cluster users manually.

---

- 3 The installer completes the secure configuration on the node. It specifies the location of the security configuration files and prompts you to copy these files to the other nodes in the cluster. The installer also specifies the location of log files, summary file, and response file.
- 4 Copy the security configuration files from the location specified by the installer to temporary directories on the other nodes in the cluster.

**Configuring the remaining nodes**

On each of the remaining nodes in the cluster, perform the following steps.

### To configure security on each remaining node

- 1 Ensure that you are logged in as superuser.
- 2 Enter the following command:

```
# /opt/VRTS/install/installsfha<version> -securityonnode
```

Where *<version>* is the specific release version.

See [“About the Veritas installer”](#) on page 40.

The installer lists information about the cluster, nodes, and service groups. If VCS is not configured or if VCS is not running on all nodes of the cluster, the installer prompts whether you want to continue configuring security. It then prompts you for the node that you want to configure. Enter **2**.

```
VCS is not running on all systems in this cluster. All VCS systems  
must be in RUNNING state. Do you want to continue? [y,n,q] (n) y
```

```
1) Perform security configuration on first node and export  
security configuration files.
```

```
2) Perform security configuration on remaining nodes with  
security configuration files.
```

```
Select the option you would like to perform [1-2,q.?] 2
```

The installer completes the secure configuration on the node. It specifies the location of log files, summary file, and response file.

## Completing the secure cluster configuration

Perform the following manual steps to complete the configuration.

**To complete the secure cluster configuration**

- 1 On the first node, freeze all service groups except the ClusterService service group.

```
# /opt/VRTSvcs/bin/haconf -makerw
# /opt/VRTSvcs/bin/hagrp -list Frozen=0
# /opt/VRTSvcs/bin/hagrp -freeze groupname -persistent
# /opt/VRTSvcs/bin/haconf -dump -makero
```

- 2 On the first node, stop the VCS engine.

```
# /opt/VRTSvcs/bin/hastop -all -force
```

- 3 On all nodes, stop the CmdServer.

```
# /opt/VRTSvcs/bin/CmdServer -stop
```

- 4 On the first node, edit the `/etc/VRTSvcs/conf/config/main.cf` file to resemble the following:

```
cluster clus1 (
SecureClus = 1
)
```

- 5 On all nodes, create the `/etc/VRTSvcs/conf/config/.secure` file.

```
# touch /etc/VRTSvcs/conf/config/.secure
```

- 6 On the first node, start VCS. Then start VCS on the remaining nodes.

```
# /opt/VRTSvcs/bin/hastart
```

- 7 On all nodes, start CmdServer.

```
# /opt/VRTSvcs/bin/CmdServer
```

- 8 On the first node, unfreeze the service groups.

```
# /opt/VRTSvcs/bin/haconf -makerw
```

```
# /opt/VRTSvcs/bin/hagrp -list Frozen=1
```

```
# /opt/VRTSvcs/bin/hagrp -unfreeze groupname -persistent
```

```
# /opt/VRTSvcs/bin/haconf -dump -makero
```

## Adding VCS users

If you have enabled a secure VCS cluster, you do not need to add VCS users now. Otherwise, on systems operating under an English locale, you can add VCS users at this time.

### To add VCS users

- 1 Review the required information to add VCS users.
- 2 Reset the password for the Admin user, if necessary.

```
Do you wish to accept the default cluster credentials of
'admin/password'? [y,n,q] (y) n
Enter the user name: [b,q,?] (admin)
Enter the password:
Enter again:
```

- 3 To add a user, enter **y** at the prompt.

```
Do you want to add another user to the cluster? [y,n,q] (y)
```

- 4 Enter the user's name, password, and level of privileges.

```
Enter the user name: [b,q,?] smith
Enter New Password:*****
```

```
Enter Again:*****
```

```
Enter the privilege for user smith (A=Administrator, O=Operator,
G=Guest): [b,q,?] a
```

- 5 Enter **n** at the prompt if you have finished adding users.

```
Would you like to add another user? [y,n,q] (n)
```

- 6 Review the summary of the newly added users and confirm the information.

## Configuring SMTP email notification

You can choose to configure VCS to send event notifications to SMTP email services. You need to provide the SMTP server name and email addresses of people to be notified. Note that you can also configure the notification after installation.

Refer to the *Veritas Cluster Server Administrator's Guide* for more information.

### To configure SMTP email notification

- 1 Review the required information to configure the SMTP email notification.
- 2 Specify whether you want to configure the SMTP notification.

```
Do you want to configure SMTP notification? [y,n,q,?] (n) y
```

If you do not want to configure the SMTP notification, you can skip to the next configuration option.

See [“Configuring SNMP trap notification”](#) on page 111.

- 3 Provide information to configure SMTP notification.

Provide the following information:

- Enter the NIC information.

```
Active NIC devices discovered on sys1: bge0
Enter the NIC for the VCS Notifier to use on sys1:
[b,q,?] (bge0)
Is bge0 to be the public NIC used by all systems?
[y,n,q,b,?] (y)
```

- Enter the SMTP server's host name.

```
Enter the domain-based hostname of the SMTP server
(example: smtp.yourcompany.com): [b,q,?] smtp.example.com
```

- Enter the email address of each recipient.

```
Enter the full email address of the SMTP recipient
(example: user@yourcompany.com): [b,q,?] ozzie@example.com
```

- Enter the minimum security level of messages to be sent to each recipient.

```
Enter the minimum severity of events for which mail should be
sent to ozzie@example.com [I=Information, W=Warning,
E=Error, S=SevereError]: [b,q,?] w
```

#### 4 Add more SMTP recipients, if necessary.

- If you want to add another SMTP recipient, enter `y` and provide the required information at the prompt.

```
Would you like to add another SMTP recipient? [y,n,q,b] (n) y
```

```
Enter the full email address of the SMTP recipient
(example: user@yourcompany.com): [b,q,?] harriet@example.com
```

```
Enter the minimum severity of events for which mail should be
sent to harriet@example.com [I=Information, W=Warning,
E=Error, S=SevereError]: [b,q,?] E
```

- If you do not want to add, answer `n`.

```
Would you like to add another SMTP recipient? [y,n,q,b] (n)
```

#### 5 Verify and confirm the SMTP notification information.

```
NIC: bge0
```

```
SMTP Address: smtp.example.com
```

```
Recipient: ozzie@example.com receives email for Warning or
higher events
```

```
Recipient: harriet@example.com receives email for Error or
higher events
```

```
Is this information correct? [y,n,q] (y)
```

## Configuring SNMP trap notification

You can choose to configure VCS to send event notifications to SNMP management consoles. You need to provide the SNMP management console name to be notified and message severity levels.

Note that you can also configure the notification after installation.

Refer to the *Veritas Cluster Server Administrator's Guide* for more information.

**To configure the SNMP trap notification**

- 1 Review the required information to configure the SNMP notification feature of VCS.

- 2 Specify whether you want to configure the SNMP notification.

```
Do you want to configure SNMP notification? [y,n,q,?] (n) y
```

If you skip this option and if you had installed a valid HA/DR license, the installer presents you with an option to configure this cluster as global cluster. If you did not install an HA/DR license, the installer proceeds to configure SFHA based on the configuration details you provided.

See [“Configuring global clusters”](#) on page 113.

- 3 Provide information to configure SNMP trap notification.

Provide the following information:

- Enter the NIC information.

```
Active NIC devices discovered on sys1: bge0
Enter the NIC for the VCS Notifier to use on sys1:
[b,q,?] (bge0)
Is bge0 to be the public NIC used by all systems?
[y,n,q,b,?] (y)
```

- Enter the SNMP trap daemon port.

```
Enter the SNMP trap daemon port: [b,q,?] (162)
```

- Enter the SNMP console system name.

```
Enter the SNMP console system name: [b,q,?] sys5
```

- Enter the minimum security level of messages to be sent to each console.

```
Enter the minimum severity of events for which SNMP traps
should be sent to sys5 [I=Information, W=Warning, E=Error,
S=SevereError]: [b,q,?] E
```

- 4 Add more SNMP consoles, if necessary.

- If you want to add another SNMP console, enter **y** and provide the required information at the prompt.

```
Would you like to add another SNMP console? [y,n,q,b] (n) y
Enter the SNMP console system name: [b,q,?] sys4
```



```
Enter the minimum severity of events for which SNMP traps
should be sent to sys4 [I=Information, W=Warning,
E=Error, S=SevereError]: [b,q,?] S
```

- If you do not want to add, answer n.

```
Would you like to add another SNMP console? [y,n,q,b] (n)
```

## 5 Verify and confirm the SNMP notification information.

```
NIC: bge0
```

```
SNMP Port: 162
```

```
Console: sys5 receives SNMP traps for Error or
higher events
```

```
Console: sys4 receives SNMP traps for SevereError or
higher events
```

```
Is this information correct? [y,n,q] (y)
```

## Configuring global clusters

If you had installed a valid HA/DR license, the installer provides you an option to configure this cluster as global cluster. If not, the installer proceeds to configure SFHA based on the configuration details you provided. You can also run the gcoconfig utility in each cluster later to update the VCS configuration file for global cluster.

You can configure global clusters to link clusters at separate locations and enable wide-area failover and disaster recovery. The installer adds basic global cluster information to the VCS configuration file. You must perform additional configuration tasks to set up a global cluster.

See the *Veritas Cluster Server Administrator's Guide* for instructions to set up SFHA global clusters.

---

**Note:** If you installed a HA/DR license to set up replicated data cluster or campus cluster, skip this installer option.

---

**To configure the global cluster option**

- 1 Review the required information to configure the global cluster option.
- 2 Specify whether you want to configure the global cluster option.

```
Do you want to configure the Global Cluster Option? [y,n,q] (n) y
```

If you skip this option, the installer proceeds to configure VCS based on the configuration details you provided.

- 3 Provide information to configure this cluster as global cluster.

The installer prompts you for a NIC, a virtual IP address, and value for the netmask.

If you had entered virtual IP address details, the installer discovers the values you entered. You can use the same virtual IP address for global cluster configuration or enter different values.

You can also enter an IPv6 address as a virtual IP address.

- 4 Verify and confirm the configuration of the global cluster. For example:

```
For IPv4:      Global Cluster Option configuration verification:

                NIC: bge0
                IP: 10.198.89.22
                Netmask: 255.255.240.0
```

```
Is this information correct? [y,n,q] (y)
```

On Solaris x64, an example for the NIC's port is bge0.

```
For IPv6      Global Cluster Option configuration verification:

                NIC: bge0
                IP: 2001:454e:205a:110:203:baff:feee:10
                Prefix: 64
```

```
Is this information correct? [y,n,q] (y)
```

On Solaris x64, an example for the NIC's port is bge0.

## Completing the SFHA configuration

After you enter the SFHA configuration information, the installer prompts to stop the SFHA processes to complete the configuration process. The installer continues to create configuration files and copies them to each system. The installer also

configures a cluster UUID value for the cluster at the end of the configuration. After the installer successfully configures SFHA, it restarts SFHA and its related processes.

**To complete the SFHA configuration**

- 1 If prompted, press Enter at the following prompt.

```
Do you want to stop SFHA processes now? [y,n,q,?] (y)
```

- 2 Review the output as the installer stops various processes and performs the configuration. The installer then restarts SFHA and its related processes.
- 3 Enter y at the prompt to send the installation information to Symantec.

```
Would you like to send the information about this installation
to Symantec to help improve installation in the future?
[y,n,q,?] (y) y
```

- 4 After the installer configures SFHA successfully, note the location of summary, log, and response files that installer creates.

The files provide the useful information that can assist you with the configuration and can also assist future configurations.

|               |   |
|---------------|---|
| summary file  | Describes the cluster and its configured resources.   |
| log file      | Details the entire configuration.   |
| response file | Contains the configuration information that can be used to perform secure or unattended installations on other systems. |
|               | See <a href="#">“Configuring SFHA using response files”</a> on page 165.  |

## Verifying and updating licenses on the system

After you install SFHA, you can verify the licensing information using the vxlicrep program. You can replace the demo licenses with a permanent license.

See [“Checking licensing information on the system”](#) on page 115.

See [“Updating product licenses”](#) on page 116.

### Checking licensing information on the system

You can use the vxlicrep program to display information about the licenses on a system.

**To check licensing information**

- 1 Navigate to the folder containing the `vxlicrep` program and enter:

```
# vxlicrep
```

- 2 Review the output to determine the following information:

- The license key
- The type of license
- The product for which it applies
- Its expiration date, if any. Demo keys have expiration dates. Permanent keys and site keys do not have expiration dates.

```
License Key           = xxx-xxx-xxx-xxx-xxx
Product Name         = Storage Foundation and High Availability
Serial Number        = xxxxxx
License Type         = PERMANENT
OEM ID               = xxxxxx

Features :=
Platform            = Solaris
Version             = 6.0
Tier                = 0
Reserved            = 0
Mode                = VCS
```

**Updating product licenses**

You can use the `./installer -license` command or the `vxlicinst -k` to add the SFHA license key on each node. If you have SFHA already installed and configured and you use a demo license, you can replace the demo license.

See [“Replacing a SFHA demo license with a permanent license”](#) on page 117.

**To update product licenses using the installer command**

- 1 On each node, enter the license key using the command:

```
# ./installer -license
```

- 2 At the prompt, enter your license number.

**To update product licenses using the vxlicinst command**

- ◆ On each node, enter the license key using the command:

```
# vxlicinst -k license key
```

**Replacing a SFHA demo license with a permanent license**

When a SFHA demo key license expires, you can replace it with a permanent license using the `vxlicinst(1)` program.

**To replace a demo key**

- 1 Make sure you have permissions to log in as root on each of the nodes in the cluster.
- 2 Shut down SFHA on all nodes in the cluster:

```
# hstop -all -force
```

This command does not shut down any running applications.

- 3 Enter the permanent license key using the following command on each node:

```
# vxlicinst -k license key
```

- 4 Make sure demo licenses are replaced on all cluster nodes before starting SFHA.

```
# vxlicrep
```

- 5 Start SFHA on each node:

```
# hstart
```

# Configuring SFHA clusters for data integrity

This chapter includes the following topics:

- [Setting up disk-based I/O fencing using `installsfha`](#)
- [Setting up server-based I/O fencing using `installsfha`](#)
- [Setting up non-SCSI-3 server-based I/O fencing in virtual environments using `installsfha`](#)
- [Enabling or disabling the preferred fencing policy](#)

## Setting up disk-based I/O fencing using `installsfha`

You can configure I/O fencing using the `-fencing` option of the `installsfha`.

### Initializing disks as VxVM disks

Perform the following procedure to initialize disks as VxVM disks.

#### To initialize disks as VxVM disks

- 1 List the new external disks or the LUNs as recognized by the operating system. On each node, enter:

```
# vxdisk list
```

- 2 To initialize the disks as VxVM disks, use one of the following methods:
  - Use the interactive `vxdiskadm` utility to initialize the disks as VxVM disks. For more information see the *Veritas Storage Foundation Administrator's Guide*.

- Use the `vxdisksetup` command to initialize a disk as a VxVM disk.

```
# vxdisksetup -i device_name
```

The example specifies the CDS format:

```
# vxdisksetup -i c2t13d0
```

Repeat this command for each disk you intend to use as a coordinator disk.

## Checking shared disks for I/O fencing

Make sure that the shared storage you set up while preparing to configure SFHA meets the I/O fencing requirements. You can test the shared disks using the `vxfcntlsthaw` utility. The two nodes must have `ssh` (default) or `rsh` communication. To confirm whether a disk (or LUN) supports SCSI-3 persistent reservations, two nodes must simultaneously have access to the same disks. Because a shared disk is likely to have a different name on each node, check the serial number to verify the identity of the disk. Use the `vxfenadm` command with the `-i` option. This command option verifies that the same serial number for the LUN is returned on all paths to the LUN.

Make sure to test the disks that serve as coordinator disks.

The `vxfcntlsthaw` utility has additional options suitable for testing many disks. Review the options for testing the disk groups (`-g`) and the disks that are listed in a file (`-f`). You can also test disks without destroying data using the `-r` option.

See the *Veritas Cluster Server Administrator's Guide*.

Checking that disks support SCSI-3 involves the following tasks:

- Verifying the Array Support Library (ASL)  
See [“Verifying Array Support Library \(ASL\)”](#) on page 119.
- Verifying that nodes have access to the same disk  
See [“Verifying that the nodes have access to the same disk”](#) on page 120.
- Testing the shared disks for SCSI-3  
See [“Testing the disks using vxfcntlsthaw utility”](#) on page 121.

### Verifying Array Support Library (ASL)

Make sure that the Array Support Library (ASL) for the array that you add is installed.

**To verify Array Support Library (ASL)**

- 1 If the Array Support Library (ASL) for the array that you add is not installed, obtain and install it on each node before proceeding.

The ASL for the supported storage device that you add is available from the disk array vendor or Symantec technical support.

- 2 Verify that the ASL for the disk array is installed on each of the nodes. Run the following command on each node and examine the output to verify the installation of ASL.

The following output is a sample:

```
# vxddladm listsupport all
```

| LIBNAME            | VID      | PID            |
|--------------------|----------|----------------|
| libvx3par.so       | 3PARdata | VV             |
| libvxCLARiiON.so   | DGC      | All            |
| libvxFJTSYe6k.so   | FUJITSU  | E6000          |
| libvxFJTSYe8k.so   | FUJITSU  | All            |
| libvxap.so         | SUN      | All            |
| libvxatf.so        | VERITAS  | ATFNODES       |
| libvxcompellent.so | COMPELNT | Compellent Vol |
| libvxcopan.so      | COPANSYS | 8814, 8818     |

- 3 Scan all disk drives and their attributes, update the VxVM device list, and reconfigure DMP with the new devices. Type:

```
# vxdisk scandisks
```

See the Veritas Volume Manager documentation for details on how to add and configure disks.

**Verifying that the nodes have access to the same disk**

Before you test the disks that you plan to use as shared data storage or as coordinator disks using the vxfcntl utility, you must verify that the systems see the same disk.

**To verify that the nodes have access to the same disk**

- 1 Verify the connection of the shared storage for data to two of the nodes on which you installed SFHA.
- 2 Ensure that both nodes are connected to the same disk during the testing. Use the vxfenadm command to verify the disk serial number.



```
# vxfenadm -i diskpath
```

Refer to the `vxfenadm` (1M) manual page.

For example, an EMC disk is accessible by the `/dev/rdisk/c1t1d0s2` path on node A and the `/dev/rdisk/c2t1d0s2` path on node B.

From node A, enter:

```
# vxfenadm -i /dev/rdisk/c1t1d0s2
```

```
Vendor id : EMC  
Product id : SYMMETRIX  
Revision : 5567  
Serial Number : 42031000a
```

The same serial number information should appear when you enter the equivalent command on node B using the `/dev/rdisk/c2t1d0s2` path.

On a disk from another manufacturer, Hitachi Data Systems, the output is different and may resemble:

```
# vxfenadm -i /dev/rdisk/c3t1d2s2
```

```
Vendor id      : HITACHI  
Product id    : OPEN-3      -SUN  
Revision      : 0117  
Serial Number : 0401EB6F0002
```

## Testing the disks using `vxfcntlsthwdw` utility

This procedure uses the `/dev/rdisk/c1t1d0s2` disk in the steps.

If the utility does not show a message that states a disk is ready, the verification has failed. Failure of verification can be the result of an improperly configured disk array. The failure can also be due to a bad disk.

If the failure is due to a bad disk, remove and replace it. The `vxfcntlsthwdw` utility indicates a disk can be used for I/O fencing with a message resembling:

```
The disk /dev/rdisk/c1t1d0s2 is ready to be configured for I/O Fencing on  
node sys1
```

For more information on how to replace coordinator disks, refer to the *Veritas Cluster Server Administrator's Guide*.

### To test the disks using `vxfcntlsthwdw` utility

- 1 Make sure system-to-system communication functions properly.

- 2 From one node, start the utility.

Run the utility with the `-n` option if you use `rsh` for communication.

```
# vxfentsthdw [-n]
```

- 3 The script warns that the tests overwrite data on the disks. After you review the overview and the warning, confirm to continue the process and enter the node names.

---

**Warning:** The tests overwrite and destroy data on the disks unless you use the `-r` option.

---

```
***** WARNING!!!!!!!!!! *****
```

```
THIS UTILITY WILL DESTROY THE DATA ON THE DISK!!
```

```
Do you still want to continue : [y/n] (default: n) y
```

```
Enter the first node of the cluster: sys1
```

```
Enter the second node of the cluster: sys2
```

- 4 Enter the names of the disks that you want to check. Each node may know the same disk by a different name:

```
Enter the disk name to be checked for SCSI-3 PGR on node
```

```
IP_adrs_of_sys1 in the format:
```

```
for dmp: /dev/vx/rdmp/cxtxdxsx
```

```
for raw: /dev/rdisk/cxtxdxsx
```

```
Make sure it's the same disk as seen by nodes
```

```
IP_adrs_ofsys1 and IP_adrs_of_sys2
```

```
/dev/rdsk/c2t13d0s2
```

```
Enter the disk name to be checked for SCSI-3 PGR on node
```

```
IP_adrs_of_sys2 in the format:
```

```
for dmp: /dev/vx/rdmp/cxtxdxsx
```

```
for raw: /dev/rdisk/cxtxdxsx
```

```
Make sure it's the same disk as seen by nodes
```

```
IP_adrs_ofsys1 and IP_adrs_of_sys2
```

```
/dev/rdsk/c2t13d0s2
```

If the serial numbers of the disks are not identical, then the test terminates.

- 5 Review the output as the utility performs the checks and reports its activities.

- 6 If a disk is ready for I/O fencing on each node, the utility reports success for each node. For example, the utility displays the following message for the node `sys1`.

```
The disk is now ready to be configured for I/O Fencing on node
sys1
```

```
ALL tests on the disk /dev/rdisk/c1t1d0s2 have PASSED
The disk is now ready to be configured for I/O Fencing on node
sys1
```

- 7 Run the `vxfsentsthdw` utility for each disk you intend to verify.

## Configuring disk-based I/O fencing using `installsfha`

---

**Note:** The installer stops and starts SFHA to complete I/O fencing configuration. Make sure to unfreeze any frozen VCS service groups in the cluster for the installer to successfully stop SFHA.

---

### To set up disk-based I/O fencing using the `installsfha`

- 1 Start the `installsfha` with `-fencing` option.

```
# /opt/VRTS/install/installsfha<version> -fencing
```

Where `<version>` is the specific release version.

See [“About the Veritas installer”](#) on page 40.

The `installsfha` starts with a copyright message and verifies the cluster information.

Note the location of log files which you can access in the event of any problem with the configuration process.

- 2 Confirm that you want to proceed with the I/O fencing configuration at the prompt.  
  
The program checks that the local node running the script can communicate with remote nodes and checks whether SFHA 6.0.1 is configured properly.
- 3 Review the I/O fencing configuration options that the program presents. Type **2** to configure disk-based I/O fencing.

```
Select the fencing mechanism to be configured in this
Application Cluster [1-4,b,q] 2
```

- 4 Review the output as the configuration program checks whether VxVM is already started and is running.
  - If the check fails, configure and enable VxVM before you repeat this procedure.
  - If the check passes, then the program prompts you for the coordinator disk group information.

- 5 Choose whether to use an existing disk group or create a new disk group to configure as the coordinator disk group.

The program lists the available disk group names and provides an option to create a new disk group. Perform one of the following:

- To use an existing disk group, enter the number corresponding to the disk group at the prompt.  
 The program verifies whether the disk group you chose has an odd number of disks and that the disk group has a minimum of three disks.

- To create a new disk group, perform the following steps:
  - Enter the number corresponding to the **Create a new disk group** option.  
 The program lists the available disks that are in the CDS disk format in the cluster and asks you to choose an odd number of disks with at least three disks to be used as coordinator disks.  
 Symantec recommends that you use three disks as coordination points for disk-based I/O fencing.  
 If the available VxVM CDS disks are less than the required, installer asks whether you want to initialize more disks as VxVM disks. Choose the disks you want to initialize as VxVM disks and then use them to create new disk group.

- Enter the numbers corresponding to the disks that you want to use as coordinator disks.
- Enter the disk group name.

- 6 Verify that the coordinator disks you chose meet the I/O fencing requirements.  
 You must verify that the disks are SCSI-3 PR compatible using the vxfsntsthdw utility and then return to this configuration program.

See [“Checking shared disks for I/O fencing”](#) on page 119.

- 7 After you confirm the requirements, the program creates the coordinator disk group with the information you provided.
- 8 Enter the I/O fencing disk policy that you chose to use. For example:

```
Enter disk policy for the disk(s) (raw/dmp): [b,q,?] raw
```

The program also does the following:

- Populates the `/etc/vxfendg` file with this disk group information
  - Populates the `/etc/vxfenmode` file on each cluster node with the I/O fencing mode information and with the SCSI-3 disk policy information
- 9 Verify and confirm the I/O fencing configuration information that the installer summarizes.
  - 10 Review the output as the configuration program does the following:
    - Stops VCS and I/O fencing on each node.
    - Configures disk-based I/O fencing and starts the I/O fencing process.
    - Updates the VCS configuration file `main.cf` if necessary.
    - Copies the `/etc/vxfenmode` file to a date and time suffixed file `/etc/vxfenmode-date-time`. This backup file is useful if any future fencing configuration fails.
    - Updates the I/O fencing configuration file `/etc/vxfenmode`.
    - Starts VCS on each node to make sure that the SFHA is cleanly configured to use the I/O fencing feature.
  - 11 Review the output as the configuration program displays the location of the log files, the summary files, and the response files.
  - 12 Configure the Coordination Point Agent.

```
Do you want to configure Coordination Point Agent on
the client cluster? [y,n,q] (y)
```

- 13 Enter a name for the service group for the Coordination Point Agent.

```
Enter a non-existing name for the service group for
Coordination Point Agent: [b] (vxfen) vxfen
```

- 14 Set the level two monitor frequency.

```
Do you want to set LevelTwoMonitorFreq? [y,n,q] (y)
```

- 15 Decide the value of the level two monitor frequency.

```
Enter the value of the LevelTwoMonitorFreq attribute: [b,q,?] (5)
```

Installer adds Coordination Point Agent and updates the main configuration file.

See [“Configuring CoordPoint agent to monitor coordination points”](#) on page 215.

# Setting up server-based I/O fencing using `installsfha`

You can configure server-based I/O fencing for the SFHA cluster using the `installsfha`.

With server-based fencing, you can have the coordination points in your configuration as follows:

- Combination of CP servers and SCSI-3 compliant coordinator disks
- CP servers only  
Symantec also supports server-based fencing with a single highly available CP server that acts as a single coordination point.

See [“About planning to configure I/O fencing”](#) on page 67.

See [“Recommended CP server configurations”](#) on page 72.

This section covers the following example procedures:

|   |   |
|---|---|
| Mix of CP servers and coordinator disks | See <a href="#">“To configure server-based fencing for the SFHA cluster (one CP server and two coordinator disks)”</a> on page 126. |
| Single CP server                        | See <a href="#">“To configure server-based fencing for the SFHA cluster (single CP server)”</a> on page 131.                        |

## To configure server-based fencing for the SFHA cluster (one CP server and two coordinator disks)

- 1 Depending on the server-based configuration model in your setup, make sure of the following:
  - CP servers are configured and are reachable from the SFHA cluster. The SFHA cluster is also referred to as the application cluster or the client cluster. See [“Setting up the CP server”](#) on page 75.
  - The coordination disks are verified for SCSI3-PR compliance. See [“Checking shared disks for I/O fencing”](#) on page 119.
- 2 Start the `installsfha` with the `-fencing` option.

```
# /opt/VRTS/install/installsfha<version> -fencing
```

Where `<version>` is the specific release version. The `installsfha` starts with a copyright message and verifies the cluster information.

See [“About the Veritas installer”](#) on page 40.

Note the location of log files which you can access in the event of any problem with the configuration process.

- 3 Confirm that you want to proceed with the I/O fencing configuration at the prompt.

The program checks that the local node running the script can communicate with remote nodes and checks whether SFHA 6.0.1 is configured properly.

- 4 Review the I/O fencing configuration options that the program presents. Type **1** to configure server-based I/O fencing.

```
Select the fencing mechanism to be configured in this
Application Cluster [1-4,b,q] 1
```

- 5 Make sure that the storage supports SCSI3-PR, and answer **y** at the following prompt.

```
Does your storage environment support SCSI3 PR? [y,n,q] (y)
```

- 6 Provide the following details about the coordination points at the installer prompt:

- Enter the total number of coordination points including both servers and disks. This number should be at least 3.

```
Enter the total number of co-ordination points including both
Coordination Point servers and disks: [b] (3)
```

- Enter the total number of coordinator disks among the coordination points.

```
Enter the total number of disks among these:
[b] (0) 2
```

- 7 Provide the following CP server details at the installer prompt:

- Enter the total number of virtual IP addresses or the total number of fully qualified host names for each of the CP servers.

```
Enter the total number of Virtual IP addresses or fully
qualified host name for the
Coordination Point Server #1: [b,q,?] (1) 2
```

- Enter the virtual IP addresses or the fully qualified host name for each of the CP servers. The installer assumes these values to be identical as viewed from all the application cluster nodes.

```
Enter the Virtual IP address or fully qualified host name
#1 for the Coordination Point Server #1:
[b] 10.209.80.197
```

The installer prompts for this information for the number of virtual IP addresses you want to configure for each CP server.

- Enter the port that the CP server would be listening on.

```
Enter the port in the range [49152, 65535] which the
Coordination Point Server 10.209.80.197
would be listening on or simply accept the default port suggested:
[b] (14250)
```

**8 Provide the following coordinator disks-related details at the installer prompt:**

- Enter the I/O fencing disk policy for the coordinator disks.

```
Enter disk policy for the disk(s) (raw/dmp):
[b,q,?] raw
```

- Choose the coordinator disks from the list of available disks that the installer displays. Ensure that the disk you choose is available from all the SFHA (application cluster) nodes.

The number of times that the installer asks you to choose the disks depends on the information that you provided in step 6. For example, if you had chosen to configure two coordinator disks, the installer asks you to choose the first disk and then the second disk:

```
Select disk number 1 for co-ordination point
```

- 1) c1t1d0s2
- 2) c2t1d0s2
- 3) c3t1d0s2

```
Please enter a valid disk which is available from all the
cluster nodes for co-ordination point [1-3,q] 1
```

- If you have not already checked the disks for SCSI-3 PR compliance in step 1, check the disks now.

The installer displays a message that recommends you to verify the disks in another window and then return to this configuration procedure.

Press Enter to continue, and confirm your disk selection at the installer prompt.

- Enter a disk group name for the coordinator disks or accept the default.

```
Enter the disk group name for coordinating disk(s):
[b] (vxsfencoordg)
```



**9** Verify and confirm the coordination points information for the fencing configuration.

For example:

```
Total number of coordination points being used: 3
Coordination Point Server ([VIP or FQHN]:Port):
  1. 10.109.80.197 ([10.109.80.197]:14250)
SCSI-3 disks:
  1. c1t1d0s2
  2. c2t1d0s2
Disk Group name for the disks in customized fencing: vxfencoorddg
Disk policy used for customized fencing: raw
```

The installer initializes the disks and the disk group and depots the disk group on the SFHA (application cluster) node.

**10** If the CP server is configured for security, the installer sets up secure communication between the CP server and the SFHA (application cluster).

After the installer establishes trust between the authentication brokers of the CP servers and the application cluster nodes, press Enter to continue.

**11** Verify and confirm the I/O fencing configuration information.

```
CPS Admin utility location: /opt/VRTScps/bin/cpsadm
Cluster ID: 2122
Cluster Name: clus1
UUID for the above cluster: {ae5e589a-1dd1-11b2-dd44-00144f79240c}
```

- 12** Review the output as the installer updates the application cluster information on each of the CP servers to ensure connectivity between them. The installer then populates the `/etc/vxfenmode` file with the appropriate details in each of the application cluster nodes.

```
Updating client cluster information on Coordination Point Server 10.210.80.197

Adding the client cluster to the Coordination Point Server 10.210.80.197 ..... Done

Registering client node sys1 with Coordination Point Server 10.210.80.197..... Done
Adding CPClient user for communicating to Coordination Point Server 10.210.80.197 .... Done
Adding cluster clus1 to the CPClient user on Coordination Point Server 10.210.80.197 .. Done

Registering client node sys2 with Coordination Point Server 10.210.80.197 ..... Done
Adding CPClient user for communicating to Coordination Point Server 10.210.80.197 .... Done
Adding cluster clus1 to the CPClient user on Coordination Point Server 10.210.80.197 ..Done

Updating /etc/vxfenmode file on sys1 ..... Done
Updating /etc/vxfenmode file on sys2 ..... Done
```

See [“About I/O fencing configuration files”](#) on page 440.

- 13** Review the output as the installer stops and restarts the VCS and the fencing processes on each application cluster node, and completes the I/O fencing configuration.
- 14** Configure the CP agent on the SFHA (application cluster). The Coordination Point Agent monitors the registrations on the coordination points.

```
Do you want to configure Coordination Point Agent on
the client cluster? [y,n,q] (y)
```

```
Enter a non-existing name for the service group for
Coordination Point Agent: [b] (vxfen)
```

- 15** Additionally the coordination point agent can also monitor changes to the Coordinator Disk Group constitution such as a disk being accidentally deleted from the Coordinator Disk Group. The frequency of this detailed monitoring can be tuned with the `LevelTwoMonitorFreq` attribute. For example, if you set this attribute to 5, the agent will monitor the Coordinator Disk Group constitution every five monitor cycles.

Note that for the `LevelTwoMonitorFreq` attribute to be applicable there must be disks as part of the Coordinator Disk Group.

```
Enter the value of the LevelTwoMonitorFreq attribute: (5)
```

```
Adding Coordination Point Agent via sys1 .... Done
```

- 16** Note the location of the configuration log files, summary files, and response files that the installer displays for later use.

**To configure server-based fencing for the SFHA cluster (single CP server)**

- 1** Make sure that the CP server is configured and is reachable from the SFHA cluster. The SFHA cluster is also referred to as the application cluster or the client cluster.
- 2** See [“Setting up the CP server”](#) on page 75.
- 3** Start the `installsfha` with `-fencing` option.

```
# /opt/VRTS/install/installsfha<version> -fencing
```

Where `<version>` is the specific release version. The `installsfha` starts with a copyright message and verifies the cluster information.

See [“About the Veritas installer”](#) on page 40.

Note the location of log files which you can access in the event of any problem with the configuration process.

- 4** Confirm that you want to proceed with the I/O fencing configuration at the prompt.

The program checks that the local node running the script can communicate with remote nodes and checks whether SFHA 6.0.1 is configured properly.

- 5** Review the I/O fencing configuration options that the program presents. Type **1** to configure server-based I/O fencing.

```
Select the fencing mechanism to be configured in this
Application Cluster [1-4,b,q] 1
```

- 6** Make sure that the storage supports SCSI3-PR, and answer **y** at the following prompt.

```
Does your storage environment support SCSI3 PR? [y,n,q] (y)
```

- 7** Enter the total number of coordination points as **1**.

```
Enter the total number of co-ordination points including both
Coordination Point servers and disks: [b] (3) 1
```

Read the installer warning carefully before you proceed with the configuration.

- 8** Provide the following CP server details at the installer prompt:

- Enter the total number of virtual IP addresses or the total number of fully qualified host names for each of the CP servers.

```
Enter the total number of Virtual IP addresses or fully
qualified host name for the
Coordination Point Server #1: [b,q,?] (1) 2
```

- Enter the virtual IP address or the fully qualified host name for the CP server. The installer assumes these values to be identical as viewed from all the application cluster nodes.

```
Enter the Virtual IP address or fully qualified host name
#1 for the Coordination Point Server #1:
[b] 10.209.80.197
```

The installer prompts for this information for the number of virtual IP addresses you want to configure for each CP server.

- Enter the port that the CP server would be listening on.

```
Enter the port in the range [49152, 65535] which the
Coordination Point Server 10.209.80.197
would be listening on or simply accept the default
port suggested: [b] (14250)
```

- 9** Verify and confirm the coordination points information for the fencing configuration.

For example:

```
Total number of coordination points being used: 1
Coordination Point Server ([VIP or FQHN]:Port):
  1. 10.209.80.197 ([10.209.80.197]:14250)
```

- 10 If the CP server is configured for security, the installer sets up secure communication between the CP server and the SFHA (application cluster).

After the installer establishes trust between the authentication brokers of the CP servers and the application cluster nodes, press Enter to continue.

- 11 Verify and confirm the I/O fencing configuration information.

```
CPS Admin utility location: /opt/VRTScps/bin/cpsadm
Cluster ID: 2122
Cluster Name: clus1
UUID for the above cluster: {ae5e589a-1dd1-11b2-dd44-00144f79240c}
```

- 12 Review the output as the installer updates the application cluster information on each of the CP servers to ensure connectivity between them. The installer then populates the `/etc/vxfenmode` file with the appropriate details in each of the application cluster nodes.

The installer also populates the `/etc/vxfenmode` file with the entry `single_cp=1` for such single CP server fencing configuration.

```
Updating client cluster information on Coordination Point Server 10.210.80.197

Adding the client cluster to the Coordination Point Server 10.210.80.197 ..... Done

Registering client node sys1 with Coordination Point Server 10.210.80.197..... Done
Adding CPClient user for communicating to Coordination Point Server 10.210.80.197 .... Done
Adding cluster clus1 to the CPClient user on Coordination Point Server 10.210.80.197 .. Done

Registering client node sys2 with Coordination Point Server 10.210.80.197 ..... Done
Adding CPClient user for communicating to Coordination Point Server 10.210.80.197 .... Done
Adding cluster clus1 to the CPClient user on Coordination Point Server 10.210.80.197 .. Done

Updating /etc/vxfenmode file on sys1 ..... Done
Updating /etc/vxfenmode file on sys2 ..... Done
```

See [“About I/O fencing configuration files”](#) on page 440.

- 13 Review the output as the installer stops and restarts the VCS and the fencing processes on each application cluster node, and completes the I/O fencing configuration.

**14** Configure the CP agent on the SFHA (application cluster).

```
Do you want to configure Coordination Point Agent on the
client cluster? [y,n,q] (y)
```

```
Enter a non-existing name for the service group for
Coordination Point Agent: [b] (vxfen)
```

```
Adding Coordination Point Agent via sys1 ... Done
```

**15** Note the location of the configuration log files, summary files, and response files that the installer displays for later use.

## Setting up non-SCSI-3 server-based I/O fencing in virtual environments using `installsfha`

If you have installed VCS in virtual environments that do not support SCSI-3 PR-compliant storage, you can configure non-SCSI-3 fencing.

To configure I/O fencing using the `installsfha` in a non-SCSI-3 PR-compliant setup

**1** Start the `installsfha` with `-fencing` option.

```
# /opt/VRTS/install/installsfha<version> -fencing
```

Where `<version>` is the specific release version.

See [“About the Veritas installer”](#) on page 40.

The `installsfha` starts with a copyright message and verifies the cluster information.

**2** Confirm that you want to proceed with the I/O fencing configuration at the prompt.

The program checks that the local node running the script can communicate with remote nodes and checks whether SFHA 6.0.1 is configured properly.

**3** Review the I/O fencing configuration options that the program presents. Type **1** to configure server-based I/O fencing.

```
Select the fencing mechanism to be configured in this
Application Cluster
[1-4,b,q] 1
```

**Setting up non-SCSI-3 server-based I/O fencing in virtual environments using installsfha**

- 4 Enter **n** to confirm that your storage environment does not support SCSI-3 PR.

```
Does your storage environment support SCSI3 PR?
[y,n,q] (y) n
```

- 5 Confirm that you want to proceed with the non-SCSI-3 I/O fencing configuration at the prompt.

- 6 Enter the number of CP server coordination points you want to use in your setup.

- 7 Enter the following details for each CP server:

- Enter the virtual IP address or the fully qualified host name.
- Enter the port address on which the CP server listens for connections. The default value is 14250. You can enter a different port address. Valid values are between 49152 and 65535.

The installer assumes that these values are identical from the view of the SF HA cluster nodes that host the applications for high availability.

- 8 Verify and confirm the CP server information that you provided.

- 9 Verify and confirm the SF HA cluster configuration information.

Review the output as the installer performs the following tasks:

- Updates the CP server configuration files on each CP server with the following details:
  - Registers each node of the SF HA cluster with the CP server.
  - Adds CP server user to the CP server.
  - Adds SF HA cluster to the CP server user.
- Updates the following configuration files on each node of the SF HA cluster
  - `/etc/vxfenmode` file
  - `/etc/default/vxfen` file
  - `/etc/vxenviron` file
  - `/etc/llttab` file
  - `/etc/vxfentab` file

- 10 Review the output as the installer stops SFHA on each node, starts I/O fencing on each node, updates the VCS configuration file `main.cf`, and restarts SFHA with non-SCSI-3 server-based fencing.

Confirm to configure the CP agent on the SF HA cluster.

- 11 Confirm whether you want to send the installation information to Symantec.
- 12 After the installer configures I/O fencing successfully, note the location of summary, log, and response files that installer creates.

The files provide useful information which can assist you with the configuration, and can also assist future configurations.

## Enabling or disabling the preferred fencing policy

You can enable or disable the preferred fencing feature for your I/O fencing configuration.

You can enable preferred fencing to use system-based race policy or group-based race policy. If you disable preferred fencing, the I/O fencing configuration uses the default count-based race policy.

See [“About preferred fencing”](#) on page 29.

### To enable preferred fencing for the I/O fencing configuration

- 1 Make sure that the cluster is running with I/O fencing set up.

```
# vxfenadm -d
```

- 2 Make sure that the cluster-level attribute `UseFence` has the value set to **SCSI3**.

```
# haclus -value UseFence
```

- 3 To enable system-based race policy, perform the following steps:

- Make the Veritas Cluster Server (VCS) configuration writable.

```
# haconf -makerw
```

- Set the value of the cluster-level attribute `PreferredFencingPolicy` as **System**.

```
# haclus -modify PreferredFencingPolicy System
```

- Set the value of the system-level attribute `FencingWeight` for each node in the cluster.

For example, in a two-node cluster, where you want to assign `sys1` five times more weight compared to `sys2`, run the following commands:

```
# hasys -modify sys1 FencingWeight 50  
# hasys -modify sys2 FencingWeight 10
```



- Save the VCS configuration.

```
# haconf -dump -makero
```

4 To enable group-based race policy, perform the following steps:

- Make the VCS configuration writable.

```
# haconf -makerw
```

- Set the value of the cluster-level attribute `PreferredFencingPolicy` as **Group**.

```
# haclus -modify PreferredFencingPolicy Group
```

- Set the value of the group-level attribute `Priority` for each service group. For example, run the following command:

```
# hagrps -modify service_group Priority 1
```

Make sure that you assign a parent service group an equal or lower priority than its child service group. In case the parent and the child service groups are hosted in different subclusters, then the subcluster that hosts the child service group gets higher preference.

- Save the VCS configuration.

```
# haconf -dump -makero
```

5 To view the fencing node weights that are currently set in the fencing driver, run the following command:

```
# vxfenconfig -a
```

**To disable preferred fencing for the I/O fencing configuration**

- 1 Make sure that the cluster is running with I/O fencing set up.

```
# vxfenadm -d
```

- 2 Make sure that the cluster-level attribute `UseFence` has the value set to **SCSI3**.

```
# haclus -value UseFence
```

- 3 To disable preferred fencing and use the default race policy, set the value of the cluster-level attribute `PreferredFencingPolicy` as **Disabled**.

```
# haconf -makerw
```

```
# haclus -modify PreferredFencingPolicy Disabled
```

```
# haconf -dump -makero
```

# 4

## Section

# Installation using the Web-based installer

- [Chapter 10. Installing SFHA](#)
- [Chapter 11. Configuring SFHA](#)

# Installing SFHA

This chapter includes the following topics:

- [About the Web-based installer](#)
- [Before using the Veritas Web-based installer](#)
- [Starting the Veritas Web-based installer](#)
- [Obtaining a security exception on Mozilla Firefox](#)
- [Performing a pre-installation check with the Veritas Web-based installer](#)
- [Setting installer options with the Web-based installer](#)
- [Installing SFHA with the Web-based installer](#)

## About the Web-based installer

Use the Web-based installer interface to install Veritas products. The Web-based installer can perform most of the tasks that the script-based installer performs.

You use the `webinstaller` script to start and stop the Veritas XPortal Server `xprt1wid` process. The `webinstaller` script can also be used to check the status of the XPortal Server.

When the `webinstaller` script starts the `xprt1wid` process, the script displays a URL. Use this URL to access the Web-based installer from a Web browser such as Internet Explorer or FireFox.

The Web installer creates log files whenever the Web installer is operating. While the installation processes are operating, the log files are located in a session-based directory under the `/var/tmp` directory. After the install process completes, the log files are located in the `/opt/VRTS/install/logs` directory. It is recommended that you keep these files for auditing, debugging, and future use.

The location of the Veritas XPortal Server configuration file is  
`/var/opt/webinstaller/xprtlwid.conf`.

See “[Before using the Veritas Web-based installer](#)” on page 141.

See “[Starting the Veritas Web-based installer](#)” on page 141.

## Before using the Veritas Web-based installer

The Veritas Web-based installer requires the following configuration.

**Table 10-1** Web-based installer requirements

| System                | Function  | Requirements  |
|-----------------------|---|---|
| Target system         | The systems where you plan to install the Veritas products.   | Must be a supported platform for Storage Foundation 6.0.1.  |
| Installation server   | The server where you start the installation. The installation media is accessible from the installation server. | Must use the same operating system as the target systems and must be at one of the supported operating system update levels.                                    |
| Administrative system | The system where you run the Web browser to perform the installation.   | Must have a Web browser.<br>Supported browsers: <ul style="list-style-type: none"><li>■ Internet Explorer 6, 7, and 8</li><li>■ Firefox 3.x and later</li></ul> |

## Starting the Veritas Web-based installer

This section describes starting the Veritas Web-based installer.

**To start the Web-based installer**

- 1 Start the Veritas XPortal Server process `xprt1wid`, on the installation server:

```
# ./webinstaller start
```

The webinstaller script displays a URL. Note this URL.

---

**Note:** If you do not see the URL, run the command again.

The default listening port is 14172. If you have a firewall that blocks port 14172, use the `-port` option to use a free port instead.

---

- 2 On the administrative server, start the Web browser.
- 3 Navigate to the URL that the script displayed.
- 4 Certain browsers may display the following message:

```
Secure Connection Failed
```

Obtain a security exception for your browser.

When prompted, enter `root` and root's password of the installation server.

- 5 Log in as superuser.

## Obtaining a security exception on Mozilla Firefox

You may need to get a security exception on Mozilla Firefox.

The following instructions are general. They may change because of the rapid release cycle of Mozilla browsers.

**To obtain a security exception**

- 1 Click **Or you can add an exception** link.
- 2 Click **I Understand the Risks**, or **You can add an exception**.
- 3 Click **Get Certificate** button.
- 4 Uncheck **Permanently Store this exception checkbox (recommended)**.
- 5 Click **Confirm Security Exception** button.
- 6 Enter `root` in User Name field and root password of the web server in the Password field.

# Performing a pre-installation check with the Veritas Web-based installer

This section describes performing a pre-installation check with the Veritas Web-based installer.

## To perform a pre-installation check

- 1 Start the Web-based installer.  
See [“Starting the Veritas Web-based installer”](#) on page 141.
- 2 On the Select a task and a product page, select **Perform a Pre-installation Check** from the **Task** drop-down list. Select **Veritas Storage Foundation and High Availability** from the **Product** drop-down list and click **Next**.
- 3 Indicate the systems on which to perform the precheck. Enter one or more system names, separated by spaces. Click **Next**.
- 4 The installer performs the precheck and displays the results.
- 5 Click **Finish**. The installer prompts you for another task.

# Setting installer options with the Web-based installer

You can use the Web-based installer for certain command-line installer options.

The supported options follow:

- `-serial`
- `-require path_to_hotfix_file`
- `-mediapath directory_path_to_install_media`
- `-logpath directory_path_to_save_logs`
- `-tmpopath directory_path_to_save_temp_files`

See [“Installation script options”](#) on page 411.

### To use installer options

- 1 On the Web-installer's entry page, click the **Advanced Options** link.
- 2 In the Command line options field, enter the option that you want to use.  
For example, if you want to use the serial option and the logpath option, enter:

```
-serial -logpath /opt/VRTS/install/advlogs
```

Where */opt/VRTS/install/advlogs* is the path that you want to use. Separate the command with a space.

- 3 Click the **OK** button and proceed.

## Installing SFHA with the Web-based installer

This section describes installing SFHA with the Veritas Web-based installer.

### To install SFHA using the Web-based installer

- 1 Perform preliminary steps.  
See [“Performing a pre-installation check with the Veritas Web-based installer”](#) on page 143.
- 2 Start the Web-based installer.  
See [“Starting the Veritas Web-based installer”](#) on page 141.
- 3 On the License agreement page, read the End User License Agreement (EULA). To continue, select **Yes, I agree** and click **Next**.
- 4 Indicate the systems where you want to install. Separate multiple system names with spaces. Click **Next**.
- 5 If you have not yet configured a communication mode among systems, you have the option to let the installer configure ssh or rsh. If you choose to allow this configuration, select the communication mode and provide the superuser passwords for the systems.
- 6 After the validation completes successfully, click **Next** to install SFHA on the selected system.
- 7 After the installation completes, you must choose your licensing method.  
On the license page, select one of the following tabs:
  - Keyless licensing



---

**Note:** The keyless license option enables you to install without entering a key. However, in order to ensure compliance you must manage the systems with a management server.

For more information, go to the following website:

<http://go.symantec.com/sfhakeyless>

---

Click **Register**.

- Enter license key  
If you have a valid license key, select this tab. Enter the license key for each system. Click **Register**.

- 8 For Storage Foundation and High Availability, click **Next** to complete the configuration and start the product processes.

Note that you are prompted to configure only if the product is not yet configured.

If you select **n**, you can exit the installer. You must configure the product before you can use SFHA.

After the installation completes, the installer displays the location of the log and summary files. If required, view the files to confirm the installation status.

- 9 The installer prompts you to configure the cluster. Select **Yes** to continue with configuring the product.

If you select **No**, you can exit the installer. You must configure the product before you can use SFHA.

After the installation completes, the installer displays the location of the log and summary files. If required, view the files to confirm the installation status.

- 10 If prompted, select the checkbox to specify whether you want to send your installation information to Symantec.

Would you like to send the information about this installation to Symantec to help improve installation in the future?

Click **Finish**. The installer asks if you would like to read the summary file. Select **Yes** to read the summary file. If you select **No**, the installer prompts you for another task.

# Configuring SFHA

This chapter includes the following topics:

- [Configuring SFHA using the Web-based installer](#)

## Configuring SFHA using the Web-based installer

Before you begin to configure SFHA using the Web-based installer, review the configuration requirements.

By default, the communication between the systems is selected as SSH. If SSH is used for communication between systems, the SSH commands execute without prompting for passwords or confirmations.

You can click **Quit** to quit the Web-installer at any time during the configuration process.

### To configure SFHA on a cluster

- 1 Start the Web-based installer.

See [“Starting the Veritas Web-based installer”](#) on page 141.

- 2 On the Select a task and a product page, select the task and the product as follows:

|                |  |
|----------------|--|
| <b>Task</b>    | Configure a Product                              |
| <b>Product</b> | Veritas Storage Foundation and High Availability |

Click **Next**.

- 3 On the Select Systems page, enter the system names where you want to configure SFHA, and click **Next**.

Example: **sys1 sys2**

The installer performs the initial system verification. It checks for the system communication. It also checks for release compatibility, installed product version, platform version, and performs product prechecks.

Click **Next** after the installer completes the system verification successfully.

- 4 In the Confirmation dialog box that appears, choose whether or not to configure I/O fencing.

To configure I/O fencing, click **Yes**.

To configure I/O fencing later, click **No**. You can configure I/O fencing later using the Web-based installer.

See [“Configuring SFHA for data integrity using the Web-based installer”](#) on page 151.

You can also configure I/O fencing later using the `installsfha<version>-fencing` command, the response files, or manually configure.

Where `<version>` is the specific release version.

See [“About the Veritas installer”](#) on page 40.

- 5 On the Set Cluster Name/ID page, specify the following information for the cluster.

|  |   |
|--|---|
| <b>Cluster Name</b>                          | Enter a unique cluster name.  |
| <b>Cluster ID</b>                            | Enter a unique cluster ID.<br><br>Note that you can have the installer check to see if the cluster ID is unique. Symantec recommends that you use the installer to check for duplicate cluster IDs in multi-cluster environments.                               |
| <b>Check duplicate cluster ID</b>            | Select the check box if you want the installer to verify if the given cluster ID is unique in your private network. The verification is performed after you specify the heartbeat details in the following pages. The verification takes some time to complete. |
| <b>LLT Type</b>                              | Select an LLT type from the list. You can choose to configure LLT over UDP or over Ethernet.  |
| <b>Number of Heartbeats</b>                  | Choose the number of heartbeat links you want to configure.   |
| <b>Additional Low Priority Heartbeat NIC</b> | Select the check box if you want to configure a low priority link. The installer configures one heartbeat link as low priority link.  |
| <b>Unique Heartbeat NICs per system</b>      | For LLT over Ethernet, select the check box if you do not want to use the same NIC details to configure private heartbeat links on other systems.<br><br>For LLT over UDP, this check box is selected by default.   |

Click **Next**.

- 6 On the Set Cluster Heartbeat page, select the heartbeat link details for the LLT type you chose on the Set Cluster Name/ID page.

For **LLT over Ethernet**: Do the following:

- If you are using the same NICs on all the systems, select the NIC for each private heartbeat link.
- If you had selected **Unique Heartbeat NICs per system** on the Set Cluster Name/ID page, provide the NIC details for each system.

For **LLT over UDP**: Select the NIC, Port, and IP address for each private heartbeat link. You must provide these details for each system.

Click **Next**.

- 7 On the Optional Configuration page, decide the optional VCS features that you want to configure. Click the corresponding tab to specify the details for each option:

**Security**

To configure a secure SFHA cluster, select the **Configure secure cluster** check box.

If you want to perform this task later, do not select the **Configure secure cluster** check box. You can use the `-security` option of the `installsfha`.

**Virtual IP**

- Select the **Configure Virtual IP** check box.
- If each system uses a separate NIC, select the **Configure NICs for every system separately** check box.
- Select the interface on which you want to configure the virtual IP.
- Enter a virtual IP address and value for the netmask. You can use an IPv4 or an IPv6 address.

**VCS Users**

- Reset the password for the Admin user, if necessary.
- Select the **Configure VCS users** option.
- Click **Add** to add a new user. Specify the user name, password, and user privileges for this user.

**SMTP**

- Select the **Configure SMTP** check box.
- If each system uses a separate NIC, select the **Configure NICs for every system separately** check box.
- If all the systems use the same NIC, select the NIC for the VCS Notifier to be used on all systems. If not, select the NIC to be used by each system.
- In the **SMTP Server** box, enter the domain-based hostname of the SMTP server. Example: `smtp.yourcompany.com`
- In the **Recipient** box, enter the full email address of the SMTP recipient. Example: `user@yourcompany.com`.
- In the **Event** list box, select the minimum security level of messages to be sent to each recipient.
- Click **Add** to add more SMTP recipients, if necessary.

### SNMP

- Select the **Configure SNMP** check box.
- If each system uses a separate NIC, select the **Configure NICs for every system separately** check box.
- If all the systems use the same NIC, select the NIC for the VCS Notifier to be used on all systems. If not, select the NIC to be used by each system.
- In the **SNMP Port** box, enter the SNMP trap daemon port: (162).
- In the **Console System Name** box, enter the SNMP console system name.
- In the **Event** list box, select the minimum security level of messages to be sent to each console.
- Click **Add** to add more SNMP consoles, if necessary.

### GCO

If you installed a valid HA/DR license, you can now enter the wide-area heartbeat link details for the global cluster that you would set up later.

See the *Veritas Cluster Server Administrator's Guide* for instructions to set up SFHA global clusters.

- Select the **Configure GCO** check box.
- If each system uses a separate NIC, select the **Configure NICs for every system separately** check box.
- Select a NIC.
- Enter a virtual IP address and value for the netmask. You can use an IPv4 or an IPv6 address.

Click **Next**.

- 8 On the Stop Processes page, click **Next** after the installer stops all the processes successfully.
- 9 On the Start Processes page, click **Next** after the installer performs the configuration based on the details you provided and starts all the processes successfully.

If you did not choose to configure I/O fencing in step 4, then skip to step 11. Go to step 10 to configure fencing.

10 On the Select Fencing Type page, choose the type of fencing configuration:

**Configure Coordination Point client based fencing** Choose this option to configure server-based I/O fencing.

**Configure disk based fencing** Choose this option to configure disk-based I/O fencing.

Based on the fencing type you choose to configure, follow the installer prompts.

See [“Configuring SFHA for data integrity using the Web-based installer”](#) on page 151.

11 Click **Next** to complete the process of configuring SFHA.

On the Completion page, view the summary file, log file, or response file, if needed, to confirm the configuration.

12 Select the checkbox to specify whether you want to send your installation information to Symantec.

Click **Finish**. The installer prompts you for another task.

## Configuring SFHA for data integrity using the Web-based installer

After you configure SFHA, you must configure the cluster for data integrity. Review the configuration requirements.

See [“Configuring SFHA using the Web-based installer”](#) on page 146.

See [“About planning to configure I/O fencing”](#) on page 67.

Ways to configure I/O fencing using the Web-based installer:

- See [“Configuring disk-based fencing for data integrity using the Web-based installer”](#) on page 151.
- See [“Configuring server-based fencing for data integrity using the Web-based installer”](#) on page 154.
- See [“Configuring fencing in disabled mode using the Web-based installer”](#) on page 156.
- See [“Online fencing migration mode using the Web-based installer”](#) on page 157.

### Configuring disk-based fencing for data integrity using the Web-based installer

After you configure SFHA, you must configure the cluster for data integrity. Review the configuration requirements.

See [“Configuring SFHA using the Web-based installer”](#) on page 146.

See [“About planning to configure I/O fencing”](#) on page 67.

### To configure SFHA for data integrity

- 1 Start the Web-based installer.

See [“Starting the Veritas Web-based installer”](#) on page 141.

- 2 On the Select a task and a product page, select the task and the product as follows:

|                |  |
|----------------|--|
| <b>Task</b>    | I/O fencing configuration                |
| <b>Product</b> | Storage Foundation and High Availability |

Click **Next**.

- 3 Verify the cluster information that the installer presents and confirm whether you want to configure I/O fencing on the cluster.
- 4 On the Select Cluster page, click **Next** if the installer completes the cluster verification successfully.
 

The installer performs the initial system verification. It checks for the system communication. It also checks for release compatibility, installed product version, platform version, and performs product prechecks.
- 5 On the Select Fencing Type page, select the `Configure disk-based fencing` option.
- 6 In the Confirmation dialog box that appears, confirm whether your storage environment supports SCSI-3 PR.
 

You can configure non-SCSI-3 server-based fencing in a virtual environment that is not SCSI-3 PR compliant.
- 7 On the Configure Fencing page, the installer prompts for details based on the fencing type you chose to configure. Specify the coordination points details.
 

Click **Next**.
- 8 On the Configure Fencing page, specify the following information:



- Select a Disk Group** Select the **Create a new disk group** option or select one of the disk groups from the list.
- If you selected one of the disk groups that is listed, choose the fencing disk policy for the disk group.
  - If you selected the **Create a new disk group** option, make sure you have SCSI-3 PR enabled disks, and click **Yes** in the confirmation dialog box.  
Click **Next**.
- 9 On the Create New DG page, specify the following information:
- New Disk Group Name** Enter a name for the new coordinator disk group you want to create.
- Select Disks** Select at least three disks to create the coordinator disk group.
- If you want to select more than three disks, make sure to select an odd number of disks.
- Fencing Disk Policy** Choose the fencing disk policy for the disk group.
- 10 If you want to configure the Coordination Point agent on the client cluster, do the following:
- At the prompt for configuring the Coordination Point agent on the client cluster, click **Yes** and enter the Coordination Point agent service group name.
  - If you want to set the LevelTwoMonitorFreq attribute, click **Yes** at the prompt and enter a value (0 to 65535).
  - Follow the rest of the prompts to complete the Coordination Point agent configuration.
- 11 Click **Next** to complete the process of configuring I/O fencing.
- On the Completion page, view the summary file, log file, or response file, if needed, to confirm the configuration.
- 12 Select the checkbox to specify whether you want to send your installation information to Symantec.
- Click **Finish**. The installer prompts you for another task.

## Configuring server-based fencing for data integrity using the Web-based installer

After you configure SFHA, you must configure the cluster for data integrity. Review the configuration requirements.

See [“Configuring SFHA using the Web-based installer”](#) on page 146.

See [“About planning to configure I/O fencing”](#) on page 67.

### To configure SFHA for data integrity

- 1 Start the Web-based installer.

See [“Starting the Veritas Web-based installer”](#) on page 141.

- 2 On the Select a task and a product page, select the task and the product as follows:

|                |  |
|----------------|--|
| <b>Task</b>    | I/O fencing configuration                |
| <b>Product</b> | Storage Foundation and High Availability |

Click **Next**.

- 3 Verify the cluster information that the installer presents and confirm whether you want to configure I/O fencing on the cluster.

- 4 On the Select Cluster page, click **Next** if the installer completes the cluster verification successfully.

The installer performs the initial system verification. It checks for the system communication. It also checks for release compatibility, installed product version, platform version, and performs product prechecks.

- 5 On the Select Fencing Type page, select the `Configure server-based fencing` option.

- 6 In the Confirmation dialog box that appears, confirm whether your storage environment supports SCSI-3 PR.

You can configure non-SCSI-3 server-based fencing in a virtual environment that is not SCSI-3 PR compliant.

- 7 On the Configure Fencing page, the installer prompts for details based on the fencing type you chose to configure. Specify the coordination points details.

Click **Next**.

- 8 Provide the following details for each of the CP servers:

- Enter the virtual IP addresses or host names of the virtual IP address. The installer assumes these values to be identical as viewed from all the application cluster nodes.
  - Enter the port that the CP server must listen on.
  - Click **Next**.
- 9 If your server-based fencing configuration also uses disks as coordination points, perform the following steps:
- If you have not already checked the disks for SCSI-3 PR compliance, check the disks now, and click OK in the dialog box.
  - If you do not want to use the default coordinator disk group name, enter a name for the new coordinator disk group you want to create.
  - Select the disks to create the coordinator disk group.
  - Choose the fencing disk policy for the disk group.  
The default fencing disk policy for the disk group is dmp.
- 10 In the Confirmation dialog box that appears, confirm whether the coordination points information you provided is correct, and click **Yes**.
- 11 Verify and confirm the I/O fencing configuration information.
- The installer stops and restarts the VCS and the fencing processes on each application cluster node, and completes the I/O fencing configuration.
- 12 If you want to configure the Coordination Point agent on the client cluster, do the following:
- At the prompt for configuring the Coordination Point agent on the client cluster, click **Yes** and enter the Coordination Point agent service group name.
  - Follow the rest of the prompts to complete the Coordination Point agent configuration.
- 13 Click **Next** to complete the process of configuring I/O fencing.
- On the Completion page, view the summary file, log file, or response file, if needed, to confirm the configuration.
- 14 Select the checkbox to specify whether you want to send your installation information to Symantec.
- Click **Finish**. The installer prompts you for another task.

## Configuring fencing in disabled mode using the Web-based installer

After you configure SFHA, you must configure the cluster for data integrity. Review the configuration requirements.

See [“Configuring SFHA using the Web-based installer”](#) on page 146.

See [“About planning to configure I/O fencing”](#) on page 67.

### To configure SFHA for data integrity

- 1 Start the Web-based installer.

See [“Starting the Veritas Web-based installer”](#) on page 141.

- 2 On the Select a task and a product page, select the task and the product as follows:

|                |  |
|----------------|--|
| <b>Task</b>    | I/O fencing configuration                |
| <b>Product</b> | Storage Foundation and High Availability |

Click **Next**.

- 3 Verify the cluster information that the installer presents and confirm whether you want to configure I/O fencing on the cluster.

- 4 On the Select Cluster page, click **Next** if the installer completes the cluster verification successfully.

The installer performs the initial system verification. It checks for the system communication. It also checks for release compatibility, installed product version, platform version, and performs product prechecks.

- 5 Fencing may be enabled, installer may prompt whether you want to reconfigure it.

Click **Yes**.

- 6 On the Select Fencing Type page, select the `Configure fencing in disabled mode` option.

- 7 Installer stops VCS before applying the selected fencing mode to the cluster.

---

**Note:** Unfreeze any frozen service group and unmount any file system that is mounted in the cluster.

---

Click **Yes**.

- 8 Installer restarts VCS on all systems of the cluster. I/O fencing is disabled.

- 9 Verify and confirm the I/O fencing configuration information.  
On the Completion page, view the summary file, log file, or response file, if needed, to confirm the configuration.
- 10 Select the checkbox to specify whether you want to send your installation information to Symantec.  
Click **Finish**. The installer prompts you for another task.

## Online fencing migration mode using the Web-based installer

After you configure SFHA, you must configure the cluster for data integrity. Review the configuration requirements.

See [“Configuring SFHA using the Web-based installer”](#) on page 146.

See [“About planning to configure I/O fencing”](#) on page 67.

### To configure SFHA for data integrity

- 1 Start the Web-based installer.  
See [“Starting the Veritas Web-based installer”](#) on page 141.
- 2 On the Select a task and a product page, select the task and the product as follows:

|                |  |
|----------------|--|
| <b>Task</b>    | I/O fencing configuration                |
| <b>Product</b> | Storage Foundation and High Availability |

Click **Next**.

- 3 Verify the cluster information that the installer presents and confirm whether you want to configure I/O fencing on the cluster.
- 4 On the Select Cluster page, click **Next** if the installer completes the cluster verification successfully.  
  
The installer performs the initial system verification. It checks for the system communication. It also checks for release compatibility, installed product version, platform version, and performs product prechecks.
- 5 Fencing may be enabled, installer may prompt whether you want to reconfigure it.  
Click **Yes**.
- 6 On the Select Fencing Type page, select the `Online fencing migration` option.

- 7 The installer prompts to select the coordination points you want to remove from the currently configured coordination points.  
Click **Next**.
- 8 Provide the number of Coordination point server and disk coordination points to be added to the configuration.  
Click **Next**.
- 9 Provide the number of virtual IP addresses or Fully Qualified Host Name (FQHN) used for each coordination point server.  
Click **Next**.
- 10 Provide the IP or FQHN and port number for each coordination point server.  
Click **Next**.
- 11 Installer prompts to confirm the online migration coordination point servers.  
Click **Yes**.

---

**Note:** If the coordination point servers are configured in secure mode, then the communication between coordination point servers and client servers happen in secure mode.

---

- 12 Installer proceeds with migration of the new coordination point servers. VCS is restarted during configuration.  
Click **Next**.
- 13 You can add a Coordination Point agent to the client cluster and also provide name to the agent.
- 14 Click **Next**.
- 15 On the Completion page, view the summary file, log file, or response file, if needed, to confirm the configuration.
- 16 Select the checkbox to specify whether you want to send your installation information to Symantec.  
Click **Finish**. The installer prompts you for another task.

# Automated installation using response files

- [Chapter 12. Performing an automated SFHA installation](#)
- [Chapter 13. Performing an automated SFHA configuration](#)
- [Chapter 14. Performing an automated I/O fencing configuration using response files](#)

# Performing an automated SFHA installation

This chapter includes the following topics:

- [Installing SFHA using response files](#)
- [Response file variables to install Storage Foundation and High Availability](#)
- [Sample response file for SFHA install](#)

## Installing SFHA using response files

Typically, you can use the response file that the installer generates after you perform SFHA installation on one cluster to install SFHA on other clusters. You can also create a response file using the `-makeresponsefile` option of the installer.

### To install SFHA using response files

- 1 Make sure the systems where you want to install SFHA meet the installation requirements.
- 2 Make sure the preinstallation tasks are completed.
- 3 Copy the response file to one of the cluster systems where you want to install SFHA.
- 4 Edit the values of the response file variables as necessary.



- 5 Mount the product disc and navigate to the directory that contains the installation program.
- 6 Start the installation from the system to which you copied the response file. For example:

```
# ./installer -responsefile /tmp/response_file
# ./installsfha -responsefile /tmp/response_file
```

Where `/tmp/response_file` is the response file's full path name.

See [“About the Veritas installer”](#) on page 40.

## Response file variables to install Storage Foundation and High Availability

[Table 12-1](#) lists the response file variables that you can define to install SFHA.

**Table 12-1** Response file variables for installing SFHA

| Variable   | Description  |
|--|--|
| CFG{opt}{install}  | <p>Installs SFHA packages. Configuration can be performed at a later time using the <code>-configure</code> option.</p> <p>List or scalar: scalar</p> <p>Optional or required: optional</p>  |
| CFG{opt}{installallpkgs}<br>or<br>CFG{opt}{installrecpkgs}<br>or<br>CFG{opt}{installminpkgs} | <p>Instructs the installer to install SFHA packages based on the variable that has the value set to 1:</p> <ul style="list-style-type: none"> <li>■ <code>installallpkgs</code>: Installs all packages</li> <li>■ <code>installrecpkgs</code>: Installs recommended packages</li> <li>■ <code>installminpkgs</code>: Installs minimum packages</li> </ul> <p><b>Note:</b> Set only one of these variable values to 1. In addition to setting the value of one of these variables, you must set the variable <code>\$CFG{opt}{install}</code> to 1.</p> <p>List or scalar: scalar</p> <p>Optional or required: required</p> |

**Table 12-1** Response file variables for installing SFHA (*continued*)

| Variable            | Description   |
|---------------------|---|
| CFG{accepteula}     | Specifies whether you agree with the EULA.pdf file on the media.<br><br>List or scalar: scalar<br>Optional or required: required  |
| CFG{opt}{vxkeyless} | Installs the product with keyless license.<br><br>List or scalar: scalar<br>Optional or required: optional  |
| CFG{opt}{license}   | Installs the product with permanent license.<br><br>List or scalar: scalar<br>Optional or required: optional  |
| CFG{keys}{hostname} | List of keys to be registered on the system if the variable CFG{opt}{vxkeyless} is set to 0 or if the variable \$CFG{opt}{licence} is set to 1.<br><br>List or scalar: scalar<br>Optional or required: optional |
| CFG{systems}        | List of systems on which the product is to be installed or uninstalled.<br><br>List or scalar: list<br>Optional or required: required   |
| CFG{prod}           | Defines the product to be installed or uninstalled.<br><br>List or scalar: scalar<br>Optional or required: required   |
| CFG{opt}{keyfile}   | Defines the location of an ssh keyfile that is used to communicate with all remote systems.<br><br>List or scalar: scalar<br>Optional or required: optional   |

**Table 12-1** Response file variables for installing SFHA (*continued*)

| Variable           | Description  |
|--------------------|--|
| CFG{opt}{pkgpath}  | <p>Defines a location, typically an NFS mount, from which all remote systems can install product packages. The location must be accessible from all target systems.</p> <p>List or scalar: scalar</p> <p>Optional or required: optional</p>          |
| CFG{opt}{tmppath}  | <p>Defines the location where a working directory is created to store temporary files and the packages that are needed during the install. The default location is /var/tmp.</p> <p>List or scalar: scalar</p> <p>Optional or required: optional</p> |
| CFG{opt}{rsh}      | <p>Defines that <i>rsh</i> must be used instead of <i>ssh</i> as the communication method between systems.</p> <p>List or scalar: scalar</p> <p>Optional or required: optional</p>   |
| CFG{opt}{logpath}  | <p>Mentions the location where the log files are to be copied. The default location is /opt/VRTS/install/logs.</p> <p>List or scalar: scalar</p> <p>Optional or required: optional</p>   |
| CFG{opt}{prodmode} | <p>List of modes for product</p> <p>List or scalar: list</p> <p>Optional or required: optional</p>   |

## Sample response file for SFHA install

The following example shows a response file for installing Storage Foundation High Availability.

```
#####
#Auto generated sfha responsefile #
#####

our %CFG;
$CFG{accepteula}=1;
```

```
$CFG{opt}{gco}=1;  
$CFG{opt}{vvr}=1;  
$CFG{opt}{prodmode}="SF Enterprise HA";  
$CFG{opt}{install}=1;  
$CFG{opt}{installallpkgs}=1;  
$CFG{prod}="SFHA60";  
$CFG{systems}=[ qw( system01 system02 ) ];  
$CFG{keys}{system01}=["XXXX-XXXX-XXXX-XXXX-XXXX-XXXX-XXXX"];  
$CFG{keys}{system02}=["XXXX-XXXX-XXXX-XXXX-XXXX-XXXX-XXXX"];  
$CFG{opt}{logpath}="/opt/VRTS/install/logs/HxRT-601-xxxx";  
  
1;
```

# Performing an automated SFHA configuration

This chapter includes the following topics:

- [Configuring SFHA using response files](#)
- [Response file variables to configure Storage Foundation and High Availability](#)
- [Sample response file for SFHA configuration](#)

## Configuring SFHA using response files

Typically, you can use the response file that the installer generates after you perform SFHA configuration on one cluster to configure SFHA on other clusters. You can also create a response file using the `-makeresponsefile` option of the installer.

### To configure SFHA using response files

- 1 Make sure the SFHA packages are installed on the systems where you want to configure SFHA.
- 2 Copy the response file to one of the cluster systems where you want to configure SFHA.

- 3 Edit the values of the response file variables as necessary.

To configure optional features, you must define appropriate values for all the response file variables that are related to the optional feature.

See “[Response file variables to configure Storage Foundation and High Availability](#)” on page 166.

- 4 Start the configuration from the system to which you copied the response file. For example:

```
# /opt/VRTS/install/installsfha<version>
-responsefile /tmp/response_file
```

Where *<version>* is the specific release version, and */tmp/response\_file* is the response file’s full path name.

See “[About the Veritas installer](#)” on page 40.

## Response file variables to configure Storage Foundation and High Availability

[Table 13-1](#) lists the response file variables that you can define to configure SFHA.

**Table 13-1** Response file variables specific to configuring Storage Foundation and High Availability

| Variable            | List or Scalar | Description   |
|---------------------|----------------|---|
| \$CFG{config_cfs}   | Scalar         | Performs the Cluster File System configuration for SFHA.<br><br>(Required)<br><br>Set the value to 1 to configure Cluster File System for SFHA. |
| CFG{opt}{configure} | Scalar         | Performs the configuration if the packages are already installed.<br><br>(Required)<br><br>Set the value to 1 to configure SFHA.                |
| CFG{accepteula}     | Scalar         | Specifies whether you agree with EULA.pdf on the media.<br><br>(Required)   |

**Table 13-1** Response file variables specific to configuring Storage Foundation and High Availability (*continued*)

| Variable          | List or Scalar | Description  |
|-------------------|----------------|--|
| CFG{systems}      | List           | List of systems on which the product is to be configured.<br><br>(Required)  |
| CFG{prod}         | Scalar         | Defines the product to be configured.<br><br>(Required)  |
| CFG{opt}{keyfile} | Scalar         | Defines the location of an ssh keyfile that is used to communicate with all remote systems.<br><br>(Optional)  |
| CFG{opt}{rsh}     | Scalar         | Defines that <i>rsh</i> must be used instead of <i>ssh</i> as the communication method between systems.<br><br>(Optional)  |
| CFG{opt}{logpath} | Scalar         | Mentions the location where the log files are to be copied. The default location is <code>/opt/VRTS/install/logs</code> .<br><br><b>Note:</b> The installer copies the response files and summary files also to the specified <i>logpath</i> location.<br><br>(Optional) |
| CFG{uploadlogs}   | Scalar         | Defines a Boolean value 0 or 1.<br><br>The value 1 indicates that the installation logs are uploaded to the Symantec Web site.<br><br>The value 0 indicates that the installation logs are not uploaded to the Symantec Web site.<br><br>(Optional)                      |

Note that some optional variables make it necessary to define other optional variables. For example, all the variables that are related to the cluster service group (csgnic, csgvip, and csgnetmask) must be defined if any are defined. The same is

true for the SMTP notification (smtpserver, smtprecp, and smtpsev), the SNMP trap notification (snmpport, snmpcons, and snmpcsev), and the Global Cluster Option (gconic, gcovip, and gconetmask).

[Table 13-2](#) lists the response file variables that specify the required information to configure a basic SFHA cluster.

**Table 13-2** Response file variables specific to configuring a basic SFHA cluster

| Variable             | List or Scalar | Description  |
|----------------------|----------------|--|
| CFG{vcs_clusterid}   | Scalar         | An integer between 0 and 65535 that uniquely identifies the cluster.<br><br>(Required)   |
| CFG{vcs_clustername} | Scalar         | Defines the name of the cluster.<br><br>(Required)   |
| CFG{vcs_allowcomms}  | Scalar         | Indicates whether or not to start LLT and GAB when you set up a single-node cluster. The value can be 0 (do not start) or 1 (start).<br><br>(Required) |
| CFG{fencingenabled}  | Scalar         | In a SFHA configuration, defines if fencing is enabled.<br><br>Valid values are 0 or 1.<br><br>(Required)  |

[Table 13-3](#) lists the response file variables that specify the required information to configure LLT over Ethernet.

**Table 13-3** Response file variables specific to configuring private LLT over Ethernet

| Variable                        | List or Scalar | Description  |
|---------------------------------|----------------|--|
| CFG{vcs_lltlink#}<br>{"system"} | Scalar         | Defines the NIC to be used for a private heartbeat link on each system. Two LLT links are required per system (lltlink1 and lltlink2). You can configure up to four LLT links.<br><br>You must enclose the system name within double quotes.<br><br>(Required) |



**Table 13-3** Response file variables specific to configuring private LLT over Ethernet (*continued*)

| Variable                              | List or Scalar | Description   |
|---------------------------------------|----------------|---|
| CFG{vcs_lltlinklowpri#}<br>{"system"} | Scalar         | <p>Defines a low priority heartbeat link. Typically, lltlinklowpri is used on a public network link to provide an additional layer of communication.</p> <p>If you use different media speed for the private NICs, you can configure the NICs with lesser speed as low-priority links to enhance LLT performance. For example, lltlinklowpri1, lltlinklowpri2, and so on.</p> <p>You must enclose the system name within double quotes.</p> <p>(Optional)</p> |

Table 13-4 lists the response file variables that specify the required information to configure LLT over UDP.

**Table 13-4** Response file variables specific to configuring LLT over UDP

| Variable                                   | List or Scalar | Description  |
|--|----------------|--|
| CFG{lltoverudp}=1                          | Scalar         | <p>Indicates whether to configure heartbeat link using LLT over UDP.</p> <p>(Required)</p>   |
| CFG{vcs_udplink<n>_address}<br>{<system1>} | Scalar         | <p>Stores the IP address (IPv4 or IPv6) that the heartbeat link uses on node1.</p> <p>You can have four heartbeat links and &lt;n&gt; for this response file variable can take values 1 to 4 for the respective heartbeat links.</p> <p>(Required)</p> |

**Table 13-4** Response file variables specific to configuring LLT over UDP  
*(continued)*

| Variable   | List or Scalar | Description  |
|--|----------------|--|
| CFG<br>{vcs_udplinklowpri<n>_address}<br>{<system1>} | Scalar         | Stores the IP address (IPv4 or IPv6) that the low priority heartbeat link uses on node1.<br><br>You can have four low priority heartbeat links and <n> for this response file variable can take values 1 to 4 for the respective low priority heartbeat links.<br><br>(Required)       |
| CFG{vcs_udplink<n>_port}<br>{<system1>}              | Scalar         | Stores the UDP port (16-bit integer value) that the heartbeat link uses on node1.<br><br>You can have four heartbeat links and <n> for this response file variable can take values 1 to 4 for the respective heartbeat links.<br><br>(Required)  |
| CFG{vcs_udplinklowpri<n>_port}<br>{<system1>}        | Scalar         | Stores the UDP port (16-bit integer value) that the low priority heartbeat link uses on node1.<br><br>You can have four low priority heartbeat links and <n> for this response file variable can take values 1 to 4 for the respective low priority heartbeat links.<br><br>(Required) |
| CFG{vcs_udplink<n>_netmask}<br>{<system1>}           | Scalar         | Stores the netmask (prefix for IPv6) that the heartbeat link uses on node1.<br><br>You can have four heartbeat links and <n> for this response file variable can take values 1 to 4 for the respective heartbeat links.<br><br>(Required)  |

**Table 13-4** Response file variables specific to configuring LLT over UDP  
*(continued)*

| Variable   | List or Scalar | Description  |
|--|----------------|--|
| CFG{vcs_udplinklowpri<n>_netmask}<br>{<system1>} | Scalar         | Stores the netmask (prefix for IPv6) that the low priority heartbeat link uses on node1.<br><br>You can have four low priority heartbeat links and <n> for this response file variable can take values 1 to 4 for the respective low priority heartbeat links.<br><br>(Required) |

Table 13-5 lists the response file variables that specify the required information to configure virtual IP for SFHA cluster.

**Table 13-5** Response file variables specific to configuring virtual IP for SFHA cluster

| Variable                    | List or Scalar | Description  |
|-----------------------------|----------------|--|
| CFG{vcs_csgnic}<br>{system} | Scalar         | Defines the NIC device to use on a system. You can enter 'all' as a system value if the same NIC is used on all systems.<br><br>(Optional) |
| CFG{vcs_csgvip}             | Scalar         | Defines the virtual IP address for the cluster.<br><br>(Optional)  |
| CFG{vcs_csgnetmask}         | Scalar         | Defines the Netmask of the virtual IP address for the cluster.<br><br>(Optional)   |

Table 13-6 lists the response file variables that specify the required information to configure the SFHA cluster in secure mode.

**Table 13-6** Response file variables specific to configuring SFHA cluster in secure mode

| Variable                   | List or Scalar | Description   |
|----------------------------|----------------|---|
| CFG{vcs_eat_security}      | Scalar         | Specifies if the cluster is in secure enabled mode or not.  |
| CFG{opt}{securityonnode}   | Scalar         | Specifies that the securityonnode option is being used.   |
| CFG{securityonnode_menu}   | Scalar         | Specifies the menu option to choose to configure the secure cluster one at a time. <ul style="list-style-type: none"> <li>■ 1—Configure the first node</li> <li>■ 2—Configure the other node</li> </ul> |
| CFG{security_conf_dir}     | Scalar         | Specifies the directory where the configuration files are placed.   |
| CFG{opt}{security}         | Scalar         | Specifies that the security option is being used.   |
| CFG{opt}{fips}             | Scalar         | Specifies that the FIPS option is being used.   |
| CFG{vcs_eat_security_fips} | Scalar         | Specifies that the enabled security is FIPS compliant.  |

Table 13-7 lists the response file variables that specify the required information to configure VCS users.

**Table 13-7** Response file variables specific to configuring VCS users

| Variable          | List or Scalar | Description  |
|-------------------|----------------|--|
| CFG{vcs_userenpw} | List           | List of encoded passwords for VCS users<br><br>The value in the list can be "Administrators Operators Guests"<br><br><b>Note:</b> The order of the values for the vcs_userenpw list must match the order of the values in the vcs_username list.<br><br>(Optional) |

**Table 13-7** Response file variables specific to configuring VCS users (*continued*)

| Variable          | List or Scalar | Description   |
|-------------------|----------------|---|
| CFG{vcs_username} | List           | List of names of VCS users<br><br>(Optional)  |
| CFG{vcs_userpriv} | List           | List of privileges for VCS users<br><br><b>Note:</b> The order of the values for the vcs_userpriv list must match the order of the values in the vcs_username list.<br><br>(Optional) |

[Table 13-8](#) lists the response file variables that specify the required information to configure VCS notifications using SMTP.

**Table 13-8** Response file variables specific to configuring VCS notifications using SMTP

| Variable            | List or Scalar | Description  |
|---------------------|----------------|--|
| CFG{vcs_smtpserver} | Scalar         | Defines the domain-based hostname (example: smtp.symantecexample.com) of the SMTP server to be used for Web notification.<br><br>(Optional)  |
| CFG{vcs_smtprecp}   | List           | List of full email addresses (example: user@symantecexample.com) of SMTP recipients.<br><br>(Optional)   |
| CFG{vcs_smtpsev}    | List           | Defines the minimum severity level of messages (Information, Warning, Error, SevereError) that listed SMTP recipients are to receive. Note that the ordering of severity levels must match that of the addresses of SMTP recipients.<br><br>(Optional) |

[Table 13-9](#) lists the response file variables that specify the required information to configure VCS notifications using SNMP.

**Table 13-9** Response file variables specific to configuring VCS notifications using SNMP

| Variable          | List or Scalar | Description   |
|-------------------|----------------|---|
| CFG{vcs_snmpport} | Scalar         | Defines the SNMP trap daemon port (default=162).<br><br>(Optional)  |
| CFG{vcs_snmpcons} | List           | List of SNMP console system names<br><br>(Optional)   |
| CFG{vcs_snmpcsev} | List           | Defines the minimum severity level of messages (Information, Warning, Error, SevereError) that listed SNMP consoles are to receive. Note that the ordering of severity levels must match that of the SNMP console system names.<br><br>(Optional) |

[Table 13-10](#) lists the response file variables that specify the required information to configure SFHA global clusters.

**Table 13-10** Response file variables specific to configuring SFHA global clusters

| Variable                    | List or Scalar | Description   |
|-----------------------------|----------------|---|
| CFG{vcs_gconic}<br>{system} | Scalar         | Defines the NIC for the Virtual IP that the Global Cluster Option uses. You can enter 'all' as a system value if the same NIC is used on all systems.<br><br>(Optional) |
| CFG{vcs_gcovip}             | Scalar         | Defines the virtual IP address to that the Global Cluster Option uses.<br><br>(Optional)  |

**Table 13-10** Response file variables specific to configuring SFHA global clusters  
*(continued)*

| Variable            | List or Scalar | Description  |
|---------------------|----------------|--|
| CFG{vcs_gconetmask} | Scalar         | Defines the Netmask of the virtual IP address that the Global Cluster Option uses.<br><br>(Optional) |

## Sample response file for SFHA configuration

The following example shows a response file for configuring Storage Foundation High Availability.

```
#####
#Auto generated sfha responsefile #
#####

our %CFG;
$CFG{accepteula}=1;
$CFG{opt}{rsh}=1;
$CFG{vcs_allowcomms}=1;
$CFG{opt}{gco}=1;
$CFG{opt}{vvr}=1;
$CFG{opt}{prodmode}="SF Enterprise HA";
$CFG{opt}{configure}=1;
$CFG{prod}="SFHA60";
$CFG{systems}=[ qw( system01 system02 ) ];
$CFG{vm_restore_cfg}{system01}=0;
$CFG{vm_restore_cfg}{system02}=0;
$CFG{vcs_clusterid}=127;
$CFG{vcs_clustername}="clus1";
$CFG{vcs_username}=[ qw(admin operator) ];
$CFG{vcs_userenpw}=[ qw(J1mElgLimHmMkumGlj bQOsOUUnVQoOUUnTQsOSnUQuOUUnPQtOS) ];
$CFG{vcs_userpriv}=[ qw(Administrators Operators) ];
$CFG{vcs_lltlink1}{system01}="bge1";
$CFG{vcs_lltlink2}{system01}="bge2";
$CFG{vcs_lltlink1}{system02}="bge1";
$CFG{vcs_lltlink2}{system02}="bge2";
$CFG{opt}{logpath}="/opt/VRTS/install/logs/installsf-xxxxxx/installsf-xxxxxx.response";

1;
```

# Performing an automated I/O fencing configuration using response files

This chapter includes the following topics:

- [Configuring I/O fencing using response files](#)
- [Response file variables to configure disk-based I/O fencing](#)
- [Sample response file for configuring disk-based I/O fencing](#)
- [Response file variables to configure server-based I/O fencing](#)
- [Sample response file for configuring non-SCSI-3 server-based I/O fencing](#)
- [Response file variables to configure non-SCSI-3 server-based I/O fencing](#)

## Configuring I/O fencing using response files

Typically, you can use the response file that the installer generates after you perform I/O fencing configuration to configure I/O fencing for SFHA.

### To configure I/O fencing using response files

- 1 Make sure that SFHA is configured.
- 2 Based on whether you want to configure disk-based or server-based I/O fencing, make sure you have completed the preparatory tasks.

See [“About planning to configure I/O fencing”](#) on page 67.



- 3 Copy the response file to one of the cluster systems where you want to configure I/O fencing.  
 See [“Sample response file for configuring disk-based I/O fencing”](#) on page 180.  
 See [“Sample response file for configuring server-based I/O fencing”](#) on page 182.
- 4 Edit the values of the response file variables as necessary.  
 See [“Response file variables to configure disk-based I/O fencing”](#) on page 177.  
 See [“Response file variables to configure server-based I/O fencing”](#) on page 181.
- 5 Start the configuration from the system to which you copied the response file.  
 For example:

```
# /opt/VRTS/install/installsfha<version>
-responsefile /tmp/response_file
```

Where *<version>* is the specific release version, and */tmp/response\_file* is the response file’s full path name.

See [“About the Veritas installer”](#) on page 40.

## Response file variables to configure disk-based I/O fencing

[Table 14-1](#) lists the response file variables that specify the required information to configure disk-based I/O fencing for SFHA.

**Table 14-1** Response file variables specific to configuring disk-based I/O fencing

| Variable          | List or Scalar | Description   |
|-------------------|----------------|---|
| CFG{opt}{fencing} | Scalar         | Performs the I/O fencing configuration.<br>(Required) |

**Table 14-1** Response file variables specific to configuring disk-based I/O fencing  
*(continued)*

| Variable                        | List or Scalar | Description   |
|---------------------------------|----------------|---|
| CFG{fencing_option}             | Scalar         | <p>Specifies the I/O fencing configuration mode.</p> <ul style="list-style-type: none"> <li>■ 1—Coordination Point Server-based I/O fencing</li> <li>■ 2—Coordinator disk-based I/O fencing</li> <li>■ 3—Disabled mode</li> <li>■ 4—Fencing migration when the cluster is online</li> </ul> <p>(Required)</p>   |
| CFG {fencing_scsi3_disk_policy} | Scalar         | <p>Specifies the I/O fencing mechanism.</p> <p>This variable is not required if you had configured fencing in disabled mode. For disk-based fencing, you must configure the <code>fencing_scsi3_disk_policy</code> variable and either the <code>fencing_dgname</code> variable or the <code>fencing_newdg_disks</code> variable.</p> <p>(Optional)</p> |
| CFG{fencing_dgname}             | Scalar         | <p>Specifies the disk group for I/O fencing.</p> <p>(Optional)</p> <p><b>Note:</b> You must define the <code>fencing_dgname</code> variable to use an existing disk group. If you want to create a new disk group, you must use both the <code>fencing_dgname</code> variable and the <code>fencing_newdg_disks</code> variable.</p>                    |

**Table 14-1** Response file variables specific to configuring disk-based I/O fencing  
*(continued)*

| Variable                          | List or Scalar | Description  |
|-----------------------------------|----------------|--|
| CFG{fencing_newdg_disks}          | List           | <p>Specifies the disks to use to create a new disk group for I/O fencing.</p> <p>(Optional)</p> <p><b>Note:</b> You must define the <code>fencing_dgname</code> variable to use an existing disk group. If you want to create a new disk group, you must use both the <code>fencing_dgname</code> variable and the <code>fencing_newdg_disks</code> variable.</p>  |
| CFG{fencing_cpagent_monitor_freq} | Scalar         | <p>Specifies the frequency at which the Coordination Point Agent monitors for any changes to the Coordinator Disk Group constitution.</p> <p><b>Note:</b> Coordination Point Agent can also monitor changes to the Coordinator Disk Group constitution such as a disk being accidentally deleted from the Coordinator Disk Group. The frequency of this detailed monitoring can be tuned with the <code>LevelTwoMonitorFreq</code> attribute. For example, if you set this attribute to 5, the agent will monitor the Coordinator Disk Group constitution every five monitor cycles. If <code>LevelTwoMonitorFreq</code> attribute is not set, the agent will not monitor any changes to the Coordinator Disk Group. 0 means not to monitor the Coordinator Disk Group constitution.</p> |
| CFG {fencing_config_cpagent}      | Scalar         | <p>Enter '1' or '0' depending upon whether you want to configure the Coordination Point agent using the installer or not.</p> <p>Enter "0" if you do not want to configure the Coordination Point agent using the installer.</p> <p>Enter "1" if you want to use the installer to configure the Coordination Point agent.</p>  |

**Table 14-1** Response file variables specific to configuring disk-based I/O fencing  
*(continued)*

| Variable                 | List or Scalar | Description   |
|--------------------------|----------------|---|
| CFG {fencing_cpagentgrp} | Scalar         | Name of the service group which will have the Coordination Point agent resource as part of it.<br><br><b>Note:</b> This field is obsolete if the <b>fencing_config_cpagent</b> field is given a value of '0'. |

## Sample response file for configuring disk-based I/O fencing

Review the disk-based I/O fencing response file variables and their definitions.

See [“Response file variables to configure disk-based I/O fencing”](#) on page 177.

```
#
# Configuration Values:
#
our %CFG;

$CFG{fencing_config_cpagent}=1;
$CFG{fencing_cpagent_monitor_freq}=5;
$CFG{fencing_cpagentgrp}="vxfen";
$CFG{fencing_dgname}="fencingdg1";
$CFG{fencing_newdg_disks}=[ qw(emc_clariion0_155
    emc_clariion0_162 emc_clariion0_163) ];
$CFG{fencing_option}=2;
$CFG{fencing_scsi3_disk_policy}="dmp";
$CFG{opt}{configure}=1;
$CFG{opt}{fencing}=1;

$CFG{prod}="SFHA60";

$CFG{systems}=[ qw(pilot25) ];
$CFG{vcs_clusterid}=32283;
$CFG{vcs_clustername}="whf";
1;
```

# Response file variables to configure server-based I/O fencing

You can use a coordination point server-based fencing response file to configure server-based customized I/O fencing.

[Table 14-2](#) lists the fields in the response file that are relevant for server-based customized I/O fencing.

**Table 14-2** Coordination point server (CP server) based fencing response file definitions

| Response file field          | Definition  |
|------------------------------|---|
| CFG {fencing_config_cpagent} | <p>Enter '1' or '0' depending upon whether you want to configure the Coordination Point agent using the installer or not.</p> <p>Enter "0" if you do not want to configure the Coordination Point agent using the installer.</p> <p>Enter "1" if you want to use the installer to configure the Coordination Point agent.</p>   |
| CFG {fencing_cpagentgrp}     | <p>Name of the service group which will have the Coordination Point agent resource as part of it.</p> <p><b>Note:</b> This field is obsolete if the <code>fencing_config_cpagent</code> field is given a value of '0'.</p>  |
| CFG {fencing_cps}            | <p>Virtual IP address or Virtual hostname of the CP servers.</p>  |
| CFG {fencing_reusedg}        | <p>This response file field indicates whether to reuse an existing DG name for the fencing configuration in customized fencing (CP server and coordinator disks).</p> <p>Enter either a "1" or "0".</p> <p>Entering a "1" indicates reuse, and entering a "0" indicates do not reuse.</p> <p>When reusing an existing DG name for the mixed mode fencing configuration, you need to manually add a line of text, such as "<code>CFG{fencing_reusedg}=0</code>" or "<code>CFG{fencing_reusedg}=1</code>" before proceeding with a silent installation.</p> |

**Table 14-2** Coordination point server (CP server) based fencing response file definitions (*continued*)

| Response file field             | Definition  |
|---------------------------------|---|
| CFG {fencing_dgname}            | The name of the disk group to be used in the customized fencing, where at least one disk is being used. |
| CFG {fencing_disks}             | The disks being used as coordination points if any.   |
| CFG {fencing_ncp}               | Total number of coordination points being used, including both CP servers and disks.                    |
| CFG {fencing_ndisks}            | The number of disks being used.   |
| CFG {fencing_cps_vips}          | The virtual IP addresses or the fully qualified host names of the CP server.                            |
| CFG {fencing_cps_ports}         | The port that the virtual IP address or the fully qualified host name of the CP server listens on.      |
| CFG {fencing_scsi3_disk_policy} | The disk policy that the customized fencing uses.<br>The value for this field is either "raw" or "dmp"  |

## Sample response file for configuring server-based I/O fencing

The following is a sample response file used for server-based I/O fencing:

```
$CFG{fencing_config_cpagent}=0;
$CFG{fencing_cps}=[ qw(10.200.117.145) ];
$CFG{fencing_cps_vips}{"10.200.117.145"}=[ qw(10.200.117.145) ];
$CFG{fencing_dgname}="vxfencoorddg";
$CFG{fencing_disks}=[ qw(emc_clariion0_37 emc_clariion0_13) ];
$CFG{fencing_scsi3_disk_policy}="raw";
$CFG{fencing_ncp}=3;
$CFG{fencing_ndisks}=2;
$CFG{fencing_cps_ports}{"10.200.117.145"}=14250;
$CFG{fencing_reusedg}=1;
$CFG{opt}{configure}=1;
$CFG{opt}{fencing}=1;
$CFG{prod}="SFHA60";
$CFG{systems}=[ qw(sys1 sys2) ];
$CFG{vcs_clusterid}=1256;
$CFG{vcs_clustername}="clus1";
$CFG{fencing_option}=1;
```

## Sample response file for configuring non-SCSI-3 server-based I/O fencing

The following is a sample response file used for non-SCSI-3 server-based I/O fencing :

```
$CFG{fencing_config_cpagent}=0;
$CFG{fencing_cps}=[ qw(10.198.89.251 10.198.89.252 10.198.89.253) ];
$CFG{fencing_cps_vips>{"10.198.89.251"}=[ qw(10.198.89.251) ];
$CFG{fencing_cps_vips>{"10.198.89.252"}=[ qw(10.198.89.252) ];
$CFG{fencing_cps_vips>{"10.198.89.253"}=[ qw(10.198.89.253) ];
$CFG{fencing_ncp}=3;
$CFG{fencing_ndisks}=0;
$CFG{fencing_cps_ports>{"10.198.89.251"}=14250;
$CFG{fencing_cps_ports>{"10.198.89.252"}=14250;
$CFG{fencing_cps_ports>{"10.198.89.253"}=14250;
$CFG{non_scsi3_fencing}=1;
$CFG{opt}{configure}=1;
$CFG{opt}{fencing}=1;
$CFG{prod}="SFHA60";
$CFG{systems}=[ qw(sys1 sys2) ];
$CFG{vcs_clusterid}=1256;
$CFG{vcs_clustername}="clus1";
$CFG{fencing_option}=1;
```

## Response file variables to configure non-SCSI-3 server-based I/O fencing

[Table 14-3](#) lists the fields in the response file that are relevant for non-SCSI-3 server-based customized I/O fencing.

See [“About I/O fencing for SFHA in virtual machines that do not support SCSI-3 PR”](#) on page 27.

**Table 14-3** Non-SCSI-3 server-based I/O fencing response file definitions

| Response file field    | Definition  |
|------------------------|---|
| CFG{non_scsi3_fencing} | Defines whether to configure non-SCSI-3 server-based I/O fencing.<br><br>Valid values are 1 or 0. Enter 1 to configure non-SCSI-3 server-based I/O fencing. |

**Table 14-3** Non-SCSI-3 server-based I/O fencing response file definitions  
*(continued)*

| Response file field          | Definition  |
|------------------------------|---|
| CFG {fencing_config_cpagent} | <p>Enter '1' or '0' depending upon whether you want to configure the Coordination Point agent using the installer or not.</p> <p>Enter "0" if you do not want to configure the Coordination Point agent using the installer.</p> <p>Enter "1" if you want to use the installer to configure the Coordination Point agent.</p> |
| CFG {fencing_cpagentgrp}     | <p>Name of the service group which will have the Coordination Point agent resource as part of it.</p> <p><b>Note:</b> This field is obsolete if the <code>fencing_config_cpagent</code> field is given a value of '0'.</p>  |
| CFG {fencing_cps}            | <p>Virtual IP address or Virtual hostname of the CP servers.</p>  |
| CFG {fencing_cps_vips}       | <p>The virtual IP addresses or the fully qualified host names of the CP server.</p>   |
| CFG {fencing_ncp}            | <p>Total number of coordination points (CP servers only) being used.</p>  |
| CFG {fencing_cps_ports}      | <p>The port of the CP server that is denoted by <code>cps</code> .</p>  |



# Installation using operating system-specific methods

- [Chapter 15. Installing SFHA using operating system-specific methods](#)
- [Chapter 16. Configuring SFHA clusters for data integrity using operating system-specific methods](#)

# Installing SFHA using operating system-specific methods

This chapter includes the following topics:

- [Installing SFHA on Solaris 11 using Automated Installer](#)
- [Manually installing packages on Solaris brand non-global zones](#)
- [Manually installing packages on solaris10 brand zones](#)
- [Installing SFHA on Solaris 10 using JumpStart](#)
- [Installing SFHA using the system command](#)

## Installing SFHA on Solaris 11 using Automated Installer

You can use the Oracle Solaris Automated Installer (AI) to install the Solaris 11 operating system on multiple client systems in a network. AI performs a hands-free installation (automated installation without manual interactions) of both x86 and SPARC systems. You can also use AI media (AI bootable image, provided by Oracle, which can be downloaded from the Oracle Web site) to install the Oracle Solaris OS on a single SPARC or x86 platform. All cases require access to a package repository on the network to complete the installation.

## About Automated Installation

AI automates the installation of the Oracle Solaris 11 OS on one or more SPARC or x86 clients in a network. Automated Installation applies to Solaris 11 only. You can install the Oracle Solaris OS on many different types of clients. The clients can differ in:

- architecture
- memory characteristics
- MAC address
- IP address
- CPU

The installations can differ depending on specifications including network configuration and packages installed.

**An automated installation of a client in a local network consists of the following high-level steps:**

- 1 A client system boots and gets IP information from the DHCP server
- 2 Characteristics of the client determine which AI service and which installation instructions are used to install the client.
- 3 The installer uses the AI service instructions to pull the correct packages from the package repositories and install the Oracle Solaris OS on the client.

## Using Automated Installer

To use Automated Installer to install systems over the network, set up DHCP and set up an AI service on an AI server. The DHCP server and AI server can be the same system or two different systems.

Make sure that the systems can access an Oracle Solaris Image Packaging System (IPS) package repository. The IPS package repository can reside on the AI server, on another server on the local network, or on the Internet.

An AI service is associated with a SPARC or x86 AI install image and one or more sets of installation instructions. The installation instructions specify one or more IPS package repositories from where the system retrieves the packages needed to complete the installation. The installation instructions also include the names of additional packages to install and information such as target device and partition information. You can also specify instructions for post-installation configuration of the system.

Consider the operating systems and packages you are installing on the systems. Depending on your configuration and needs, you may want do one of the following:

- If two systems have different architectures or need to be installed with different versions of the Oracle Solaris OS, create two AI services, and associate each AI service with a different AI image.
- If two systems need to be installed with the same version of the Oracle Solaris OS but need to be installed differently in other ways, create two sets of installation instructions for the AI service. The different installation instructions can specify different packages to install or a different slice as the install target.

The installation begins when you boot the system. DHCP directs the system to the AI install server, and the system accesses the install service and the installation instructions within that service.

For more information, see the *Oracle® Solaris 11 Express Automated Installer Guide*.

## Using AI to install the Solaris 11 operating system and SFHA products

Use the following procedure to install the Solaris 11 operating system and SFHA products using AI.

### To use AI to install the Solaris 11 operating system and SFHA products

- 1 Follow the Oracle documentation to setup a Solaris AI server and DHCP server. You can find the documentation at <http://docs.oracle.com>.
- 2 Set up the Symantec package repository.

Run the following commands to start up necessary SMF services and create directories:

```
# svcadm enable svc:/network/dns/multicast:default
# mkdir /ai
# zfs create -o compression=on -o mountpoint=/ai rpool/ai
```

- 3 Run the following commands to set up the IPS repository for Symantec Opteron packages:

```
# mkdir -p /ai/repo_symc_x64
# pkgrepo create /ai/repo_symc_x64
# pkgrepo add-publisher -s /ai/repo_symc_x64 Symantec
# pkgrecv -s <media_x64>/pkgs/VRTSpkgs.p5p -d /ai/repo_symc_x64 '*'
# svccfg -s pkg/server add symcx64
# svccfg -s pkg/server list
# svccfg -s pkg/server:symcx64 addpg pkg application
# svccfg -s pkg/server:symcx64 setprop pkg/port=10002
# svccfg -s pkg/server:symcx64 setprop pkg/inst_root=/ai/repo_symc_x64
# svccfg -s pkg/server:symcx64 addpg general framework
# svccfg -s pkg/server:symcx64 addpropvalue
general/complete astring: symcx64
# svccfg -s pkg/server:symcx64 addpropvalue general/enable
boolean: true
# svcs -a | grep pkg/server
# svcadm refresh application/pkg/server:symcx64
# svcadm enable application/pkg/server:symcx64
```

Or run the following commands to set up the private depot server for testing purposes:

```
# /usr/lib/pkg.depotd -d /ai/repo_symc_x64 -p 10002 > /dev/null &
```

Check the following URL on IE or Firefox browser:

<http://<host>:10002>

- 4 Run the following commands to setup IPS repository for Symantec Sparc packages:

```
# mkdir -p /ai/repo_symc_sparc
# pkgrepo create /ai/repo_symc_sparc
# pkgrepo add-publisher -s /ai/repo_symc_sparc Symantec
# pkgrecv -s <media_sparc>/pkgs/VRTSpkgs.p5p -d
/ai/repo_symc_sparc '*'
# svccfg -s pkg/server list
# svcs -a | grep pkg/server
# svccfg -s pkg/server add symcsparc
# svccfg -s pkg/server:symcsparc addpg pkg application
# svccfg -s pkg/server:symcsparc setprop pkg/port=10003
# svccfg -s pkg/server:symcsparc setprop pkg/inst_root=
/ai/repo_symc_sparc
# svccfg -s pkg/server:symcsparc addpg general framework
# svccfg -s pkg/server:symcsparc addpropvalue general/complete
astring: symcsparc
# svccfg -s pkg/server:symcsparc addpropvalue general/enable
boolean: true
# svcs -a | grep pkg/server
# svcadm refresh application/pkg/server:symcsparc
# svcadm enable application/pkg/server:symcsparc
```

Or run the following commands to set up the private depot server for testing purposes:

```
# /usr/lib/pkg.depotd -d /ai/repo_symc_sparc -p 10003 > /dev/null &
```

Check the following URL on IE or Firefox browser:

<http://<host>:10003>

- 5 Run the following commands to setup IPS repository to merge Symantec Sparc and x64 packages:

```
# mkdir /ai/repo_symc
# pkgrepo create /ai/repo_symc
# pkgrepo add-publisher -s /ai/repo_symc Symantec
# pkgmerge -s arch=sparc,/ai/repo_symc_sparc -s arch=i386,
/ai/repo_symc_x64 -d /ai/repo_symc
# svcs -a | grep pkg/server
# svccfg -s pkg/server list
# svccfg -s pkg/server add symcmerged
# svccfg -s pkg/server:symcmerged addpg pkg application
# svccfg -s pkg/server:symcmerged setprop pkg/port=10004
# svccfg -s pkg/server:symcmerged setprop pkg/inst_root=/ai/repo_symc
# svccfg -s pkg/server:symcmerged addpg general framework
# svccfg -s pkg/server:symcmerged addpropvalue general/complete
astring: symcmerged
# svccfg -s pkg/server:symcmerged addpropvalue general/enable
boolean: true
# svcadm refresh application/pkg/server:symcmerged
# svcadm enable application/pkg/server:symcmerged
# svcs -a | grep pkg/server
```

Or run the following commands to set up the private depot server for testing purposes:

```
# # /usr/lib/pkg.depotd -d /ai/repo_symc -p 10004 > /dev/null &
```

Check the following URL on IE or Firefox browser:

<http://<host>:10004>

## 6 Set up the install service on the AI server.

Run the following command:

```
# mkdir /ai/iso
```

Download the AI image from the Oracle Web site and place the `iso` in the `/ai/iso` directory.

Create an install service.

For example:

To set up the AI install server for Opteron platform::

```
# installadm create-service -n sol11x86 -s  
/ai/iso/sol-11-1111-ai-x86.iso -d /ai/aiboot/
```

To set up the AI install server for SPARC platform::

```
# # installadm create-service -n sol11sparc -s\  
/ai/iso/sol-11-1111-ai-sparc.iso -d /ai/aiboot/
```

## 7 Run the installer to generate manifest XML files for all the SFHA products that you plan to install.

```
# mkdir /ai/manifests  
# <media>/installer -ai /ai/manifests
```

## 8 For each system, generate the system configuration and include the hostname, user accounts, and IP addresses. For example, enter one of the following:

```
# mkdir /ai/profiles  
# sysconfig create-profile -o /ai/profiles/profile_client.xml
```

or

```
# cp /ai/aiboot/auto-install/sc_profiles/sc_sample.xml  
/ai/profiles/profile_client.xml
```



- 9 Add a system and match it to the specified product manifest and system configuration.

Run the following command to add an Opteron system, for example:

```
# installadm create-client -e "<client_MAC>" -n soll1x86
# installadm add-manifest -n soll1x86 -f \
/ai/manifests/vrts_manifest_sfha.xml
# installadm create-profile -n soll1x86 -f \
/ai/profiles/profile_client.xml -p profile_sc
# installadm set-criteria -n soll1x86 -m vrts_sfha
-p profile_sc -c mac="<client_MAC>"
# installadm list -m -c -p -n soll1x86
```

Run the following command to add a SPARC system, for example:

```
# installadm create-client -e "<client_MAC>" -n soll1sparc
# installadm add-manifest -n soll1sparc -f \
/ai/manifests/vrts_manifest_sfha.xml
# installadm create-profile -n soll1sparc -f \
/ai/profiles/profile_client.xml -p profile_sc
# installadm set-criteria -n soll1sparc -m \
vrts_sfha -p profile_sc -c mac="<client_MAC>"
# installadm list -m -c -p -n soll1sparc
```

- 10 For Opteron system, use Preboot Execution Environment(PXE) to reboot the system and install the operating system and Storage Foundation products.

For Sparc system, run the following command to reboot the system and install the operating system and Storage Foundation products:

```
# boot net:dhcp - install
```

## Manually installing packages on Solaris brand non-global zones

With Oracle Solaris 11, you must manually install SFHA packages inside non-global zones. The native non-global zones are called Solaris brand zones.

**To install packages manually on Solaris brand non-global zones:**

- 1 Ensure that the SMF service `svc:/application/pkg/system-repository:default` is online on the global zone.

```
# svcsvcs svc:/application/pkg/system-repository
```

- 2 Log on to the non-global zone as a superuser.
- 3 Copy the `VRTSpkgs.p5p` package from the `pkgs` directory from the installation media to the non-global zone (for example at `/tmp/install` directory).
- 4 Disable the publishers that are not reachable, as package install may fail if any of the already added repositories are unreachable.

```
#pkg set-publisher --disable <publisher name>
```

- 5 Add a file-based repository in the non-global zone.

```
# pkg set-publisher -p/tmp/install/VRTSpkgs.p5p Symantec
```

- 6 Install the required packages.

```
# pkg install --accept VRTSperl VRTSvlic VRTSvxfs VRTSvcs VRTSvcsag  
VRTSvcssea VRTSodm
```

- 7 Remove the publisher on the non-global zone.

```
#pkg unset-publisher Symantec
```

- 8 Clear the state of the SMF service, as setting the file-based repository causes SMF service `svc:/application/pkg/system-repository:default` to go into maintenance state.

```
# svcadm clear svc:/application/pkg/system-repository:default
```

- 9 Enable the publishers that were disabled earlier.

```
# pkg set-publisher --enable <publisher>
```

---

**Note:** Perform steps 2 through 9 on each non-global zone.

---

## Manually installing packages on solaris10 brand zones

You need to manually install SFHA 6.0.1 packages inside the solaris10 brand zones.

- 1 Boot the zone.
- 2 Logon to the solaris10 brand zone as a super user.
- 3 Copy the Solaris 10 packages from the pkgs directory from the installation media to the non-global zone (such as `/tmp/install` directory).
- 4 Install the following SFHA packages on the brand zone.

```
# cd /tmp/install
# pkgadd -d VRTSvlic.pkg
# pkgadd -d VRTSperl.pkg
# pkgadd -d VRTSvcsc.pkg
# pkgadd -d VRTSvxfs.pkg
# pkgadd -d VRTSvcscsag.pkg
# pkgadd -d VRTSvcsea.pkg
# pkgadd -d VRTSodm.pkg
```

---

**Note:** Perform all the above steps on each solaris10 brand zone.

---

## Installing SFHA on Solaris 10 using JumpStart

This installation method applies only to Solaris 10. These JumpStart instructions assume a working knowledge of JumpStart. See the JumpStart documentation that came with your operating system for details on using JumpStart.

Upgrading is not supported. The following procedure assumes a stand-alone configuration.

For the language pack, you can use JumpStart to install packages. You add the language packages in the script, and put those files in the JumpStart server directory.

You can use a Flash archive to install SFHA and the operating system in conjunction with JumpStart.

See [“Using a Flash archive to install SFHA and the operating system”](#) on page 199.

## Overview of JumpStart installation tasks

Review the summary of tasks before you perform the JumpStart installation.

### Summary of tasks

- 1 Add a client (register to the JumpStart server). See the JumpStart documentation that came with your operating system for details.
- 2 Read the JumpStart installation instructions.
- 3 Generate the finish scripts.  
See [“Generating the finish scripts”](#) on page 196.
- 4 Prepare shared storage installation resources.  
See [“Preparing installation resources”](#) on page 197.
- 5 Modify the rules file for JumpStart.  
See the JumpStart documentation that came with your operating system for details.
- 6 Install the operating system using the JumpStart server.
- 7 When the system is up and running, run the installer command from the installation media to configure the Veritas software.

```
# /opt/VRTS/install/installer -configure
```

See [“About the Veritas installer”](#) on page 40.

## Generating the finish scripts

Perform these steps to generate the finish scripts to install SFHA.

### To generate the script

- 1 Run the product installer program to generate the scripts for all products.

```
./installer -jumpstart directory_to_generate_scripts
```

Or

```
./install<productname> -jumpstart directory_to_generate_script
```

where *<productname>* is the product's installation command, and *directory\_to\_generate\_scripts* is where you want to put the product's script.

For example:

```
# ./installsfha -jumpstart /js_scripts
```

- 2 When you are prompted to encapsulate the root disk automatically, choose **yes** to do so. If you do not want to encapsulate it automatically, choose **no** and go to step 6.

**3 Specify a disk group name for the root disk.**

Specify the disk group name of the root disk to be encapsulated:

```
rootdg
```

**4 Specify private region length.**

Specify the private region length of the root disk to be encapsulated: **(65536)**

**5 Specify the disk's media name of the root disk to encapsulate.**

Specify the disk media name of the root disk to be encapsulated:

```
(rootdg_01)
```

**6 JumpStart finish scripts and encapsulation scripts are generated in the directory you specified in step 1.**

Output resembles:

```
The finish scripts for SF is generated at /js_scripts/  
jumpstart_sfha.fin
```

```
The encapsulation boot disk script for VM is generated at  
/js_scripts/encap_bootdisk_vm.fin
```

List the `js_scripts` directory.

```
# ls /js_scripts
```

Output resembles:

```
encap_bootdisk_vm.fin jumpstart_sfha.fin
```

## Preparing installation resources

Prepare resources for the JumpStart installation.

### To prepare the resources

- 1 Copy the `pkgs` directory of the installation media to the shared storage.

```
# cd /path_to_installation_media  
# cp -r pkgs BUILDSRC
```

- 2 Generate the response file with the list of packages.

```
# cd BUILDSRC/pkgs/  
# pkgask -r package_name.response -d /  
BUILDSRC/pkgs/packages_name.pkg
```

- 3 Create the adminfile file under `BUILDSRC/pkgs/` directory.

```
mail=  
instance=overwrite  
partial=nocheck  
runlevel=quit  
idepend=quit  
rdepend=nocheck  
space=quit  
setuid=nocheck  
conflict=nocheck  
action=nocheck  
basedir=default
```

## Adding language pack information to the finish file

To add the language pack information to the finish file, perform the following procedure.

### To add the language pack information to the finish file

- 1 For the language pack, copy the language packages from the language pack installation disc to the shared storage.

```
# cd /cdrom/cdrom0/pkg  
# cp -r * BUILDSRC/pkg
```

If you downloaded the language pack:

```
# cd /path_to_language_pack_installation_media/pkg  
# cp -r * BUILDSRC/pkg
```

- 2 In the finish script, copy the product package information and replace the product packages with language packages.
- 3 The finish script resembles:

```
. . .  
for PKG in product_packages  
do  
...  
done. . .  
for PKG in language_packages  
do  
...  
done. . .
```

## Using a Flash archive to install SFHA and the operating system

You can only use Flash archive on the Solaris 10 operating system. In the following outline, refer to Solaris documentation for Solaris-specific tasks.

---

**Note:** Symantec does not support Flash Archive installation if the root disk of the master system is encapsulated.

---

The following is an overview of the creation and installation of a Flash archive with Veritas software.

- If you plan to start flar (flash archive) creation from bare metal, perform step 1 through step 10.
- If you plan to start flar creation from a system where you have installed, but not configured the product, perform step 1 through step 4. Skip step 5 and finish step 6 through step 10.

- If you plan to start flar creation from a system where you have installed and configured the product, perform step 5 through step 10.

#### Flash archive creation overview

- 1 Ensure that you have installed Solaris 10 on the master system.
- 2 Use JumpStart to create a clone of a system.
- 3 Reboot the cloned system.
- 4 Install the Veritas products on the master system.  
Perform one of the installation procedures from this guide.
- 5 If you have configured the product on the master system, create the `vrts_deployment.sh` file and the `vrts_deployment.cf` file and copy them to the master system.  
  
See [“Creating the Veritas post-deployment scripts”](#) on page 200.
- 6 Use the `flarcreate` command to create the Flash archive on the master system.
- 7 Copy the archive back to the JumpStart server.
- 8 Use JumpStart to install the Flash archive to the selected systems.
- 9 Configure the Veritas product on all nodes in the cluster. Start configuration with the following command:  
  

```
# /opt/VRTS/install/installsfha -configure
```

  
See [“About the Veritas installer”](#) on page 40.
- 10 Perform post-installation and configuration tasks.  
  
See the product installation guide for the post-installation and configuration tasks.

## Creating the Veritas post-deployment scripts

The generated files `vrts_deployment.sh` and `vrts_post-deployment.cf` are customized Flash archive post-deployment scripts. These files clean up Veritas product settings on a cloned system before you reboot it for the first time. Include these files in your Flash archives.



**To create the post-deployment scripts**

- 1 Mount the product disc.
- 2 From the prompt, run the `-flash_archive` option for the installer. Specify a directory where you want to create the files.

```
# ./installer -flash_archive /tmp
```

- 3 Copy the `vrts_postdeployment.sh` file and the `vrts_postdeployment.cf` file to the golden system.
- 4 On the golden system perform the following:
  - Put the `vrts_postdeployment.sh` file in the `/etc/flash/postdeployment` directory.
  - Put the `vrts_postdeployment.cf` file in the `/etc/vx` directory.
- 5 Make sure that the two files have the following ownership and permissions:

```
# chown root:root /etc/flash/postdeployment/vrts_postdeployment.sh
# chmod 755 /etc/flash/postdeployment/vrts_postdeployment.sh
# chown root:root /etc/vx/vrts_postdeployment.cf
# chmod 644 /etc/vx/vrts_postdeployment.cf
```

Note that you only need these files in a Flash archive where you have installed Veritas products.

## Installing SFHA using the system command

Installing SFHA on Solaris 10 using the `pkgadd` command

On Solaris 10, the packages must be installed while in the global zone.

**To install SFHA on Solaris 10 using the `pkgadd` command**

- 1 Mount the software disc.  
See [“Mounting the product disc”](#) on page 57.
- 2 Copy the supplied VRTS\* files from the installation media to a temporary location. Modify them if needed.

```
# cp /cdrom/cdrom0/pkgs/VRTS* \  
    /tmp/pkgs
```

- 3 Create the admin file in the current directory. Specify the `-a adminfile` option when you use the `pkgadd` command:

```
mail=  
instance=overwrite  
partial=nocheck  
  runlevel=quit  
idepend=quit  
rdepend=nocheck  
space=quit  
setuid=nocheck  
conflict=nocheck  
action=nocheck  
basedir=default
```

- 4 Use the product-specific install command with one of the following options to get a list of packages in the order to be installed:

- `minpkgs`
- `recpkgs`
- `allpkgs`

See [“About the Veritas installer”](#) on page 40.

See [“Installation script options”](#) on page 411.

- 5 Install the packages listed in step 4.

```
# pkgadd -a adminfile -d /tmp/pkgs pkgname.pkg
```

On Solaris 10, these packages must be installed while in the global zone. If a package's `pkginfo` file contains the variable `SUNW_PKG_ALLZONES` set not equal to `true`, the `-G` option should additionally be specified to the `pkgadd` command.

- 6 Verify that the packages are installed:

```
# pkginfo -l  
  packagename
```

- 7 Start the processes.

Installing SFHA on Solaris 11 using the `pkg` install command

**To install SFHA on Solaris 11 using the pkg install command**

- 1 Mount the software disc.

See [“Mounting the product disc”](#) on page 57.

- 2 Copy the supplied VRTS\* files from the installation media to a temporary location. Modify them if needed.

```
# cp /cdrom/cdrom0/pkgs/VRTS* \  
    /tmp/pkgs
```

- 3 Use the product-specific install command with one of the following options to get a list of packages in the order to be installed:

- minpkgs
- recpkgs
- allpkgs

See [“About the Veritas installer”](#) on page 40.

See [“Installation script options”](#) on page 411.

- 4 Install the packages listed in step 3.

```
# /usr/bin/pkg set-publisher -p /tmp/pkgs/VRTSpkgs.p5p Symantec  
  
# /usr/bin/pkg install -accept pkgname  
  
# /usr/bin/pkg unset-publisher Symantec
```

- 5 Verify that the packages are installed:

```
# pkg info packagename
```

- 6 Start the processes.

# Configuring SFHA clusters for data integrity using operating system-specific methods

This chapter includes the following topics:

- [Setting up disk-based I/O fencing manually](#)
- [Setting up server-based I/O fencing manually](#)
- [Setting up non-SCSI-3 fencing in virtual environments manually](#)

## Setting up disk-based I/O fencing manually

[Table 16-1](#) lists the tasks that are involved in setting up I/O fencing.

**Table 16-1** Tasks to set up I/O fencing manually

| Task  | Reference  |
|---|--|
| Initializing disks as VxVM disks              | See <a href="#">"Initializing disks as VxVM disks"</a> on page 118.              |
| Identifying disks to use as coordinator disks | See <a href="#">"Identifying disks to use as coordinator disks"</a> on page 205. |
| Checking shared disks for I/O fencing         | See <a href="#">"Checking shared disks for I/O fencing"</a> on page 119.         |

**Table 16-1** Tasks to set up I/O fencing manually (*continued*)

| Task  | Reference  |
|---|--|
| Setting up coordinator disk groups                          | See <a href="#">“Setting up coordinator disk groups”</a> on page 206.                          |
| Creating I/O fencing configuration files                    | See <a href="#">“Creating I/O fencing configuration files”</a> on page 206.                    |
| Modifying SFHA configuration to use I/O fencing             | See <a href="#">“Modifying VCS configuration to use I/O fencing”</a> on page 207.              |
| Configuring CoordPoint agent to monitor coordination points | See <a href="#">“Configuring CoordPoint agent to monitor coordination points”</a> on page 215. |
| Verifying I/O fencing configuration                         | See <a href="#">“Verifying I/O fencing configuration”</a> on page 209.                         |

## Removing permissions for communication

Make sure you completed the installation of SFHA and the verification of disk support for I/O fencing. If you used `rsh`, remove the temporary `rsh` access permissions that you set for the nodes and restore the connections to the public network.

If the nodes use `ssh` for secure communications, and you temporarily removed the connections to the public network, restore the connections.

## Identifying disks to use as coordinator disks

Make sure you initialized disks as VxVM disks.

See [“Initializing disks as VxVM disks”](#) on page 118.

Review the following procedure to identify disks to use as coordinator disks.

### To identify the coordinator disks

- 1 List the disks on each node.

For example, execute the following commands to list the disks:

```
# vxdisk -o alldgs list
```

- 2 Pick three SCSI-3 PR compliant shared disks as coordinator disks.

See [“Checking shared disks for I/O fencing”](#) on page 119.

## Setting up coordinator disk groups

From one node, create a disk group named `vxfencoorddg`. This group must contain three disks or LUNs. You must also set the coordinator attribute for the coordinator disk group. VxVM uses this attribute to prevent the reassignment of coordinator disks to other disk groups.

Note that if you create a coordinator disk group as a regular disk group, you can turn on the coordinator attribute in Volume Manager.

Refer to the *Veritas Storage Foundation Administrator's Guide* for details on how to create disk groups.

The following example procedure assumes that the disks have the device names `c1t1d0s2`, `c2t1d0s2`, and `c3t1d0s2`.

### To create the `vxfencoorddg` disk group

- 1 On any node, create the disk group by specifying the device names:

```
# vxdg init vxfencoorddg c1t1d0s2 c2t1d0s2 c3t1d0s2
```

- 2 Set the coordinator attribute value as "on" for the coordinator disk group.

```
# vxdg -g vxfencoorddg set coordinator=on
```

- 3 Deport the coordinator disk group:

```
# vxdg deport vxfencoorddg
```

- 4 Import the disk group with the `-t` option to avoid automatically importing it when the nodes restart:

```
# vxdg -t import vxfencoorddg
```

- 5 Deport the disk group. Deporting the disk group prevents the coordinator disks from serving other purposes:

```
# vxdg deport vxfencoorddg
```

## Creating I/O fencing configuration files

After you set up the coordinator disk group, you must do the following to configure I/O fencing:

- Create the I/O fencing configuration file `/etc/vxfendg`
- Update the I/O fencing configuration file `/etc/vxfenmode`

### To update the I/O fencing files and start I/O fencing

- 1 On each nodes, type:

```
# echo "vxencoorddg" > /etc/vxfendg
```

Do not use spaces between the quotes in the "vxencoorddg" text.

This command creates the /etc/vxfendg file, which includes the name of the coordinator disk group.

- 2 On all cluster nodes depending on the SCSI-3 mechanism, type one of the following selections:

- For DMP configuration:

```
# cp /etc/vxfen.d/vxfenmode_scsi3_dmp /etc/vxfenmode
```

- For raw device configuration:

```
# cp /etc/vxfen.d/vxfenmode_scsi3_raw /etc/vxfenmode
```

- 3 To check the updated /etc/vxfenmode configuration, enter the following command on one of the nodes. For example:

```
# more /etc/vxfenmode
```

- 4 Ensure that you edit the following file on each node in the cluster to change the values of the VXFEN\_START and the VXFEN\_STOP environment variables to 1:

```
/etc/default/vxfen
```

## Modifying VCS configuration to use I/O fencing

After you add coordination points and configure I/O fencing, add the UseFence = SCSI3 cluster attribute to the VCS configuration file /etc/VRTSvcs/conf/config/main.cf.

If you reset this attribute to UseFence = None, VCS does not make use of I/O fencing abilities while failing over service groups. However, I/O fencing needs to be disabled separately.

**To modify VCS configuration to enable I/O fencing**

- 1 Save the existing configuration:

```
# haconf -dump -makero
```

- 2 Stop VCS on all nodes:

```
# hastop -all
```

- 3 To ensure High Availability has stopped cleanly, run `gabconfig -a`.  
In the output of the commands, check that Port h is not present.

- 4 If the I/O fencing driver `vxfen` is already running, stop the I/O fencing driver.

```
# svcadm disable -t vxfen
```

- 5 Make a backup copy of the `main.cf` file:

```
# cd /etc/VRTSvcs/conf/config  
# cp main.cf main.orig
```

- 6 On one node, use `vi` or another text editor to edit the `main.cf` file. To modify the list of cluster attributes, add the `UseFence` attribute and assign its value as `SCSI3`.

```
cluster clus1(  
  UserNames = { admin = "cDRpdxPmHpzS." }  
  Administrators = { admin }  
  HacliUserLevel = COMMANDROOT  
  CounterInterval = 5  
  UseFence = SCSI3  
)
```

Regardless of whether the fencing configuration is disk-based or server-based, the value of the cluster-level attribute `UseFence` is set to `SCSI3`.

- 7 Save and close the file.

- 8 Verify the syntax of the file `/etc/VRTSvcs/conf/config/main.cf`:

```
# hacf -verify /etc/VRTSvcs/conf/config
```



- 9 Using `rcp` or another utility, copy the VCS configuration file from a node (for example, `sys1`) to the remaining cluster nodes.

For example, on each remaining node, enter:

```
# rcp sys1:/etc/VRTSvcs/conf/config/main.cf \  
/etc/VRTSvcs/conf/config
```

- 10 Start the I/O fencing driver and VCS. Perform the following steps on each node:

- Start the I/O fencing driver.  
The `vxfen` startup script also invokes the `vxfenconfig` command, which configures the `vxfen` driver to start and use the coordination points that are listed in `/etc/vxfentab`.

```
# svcadm enable vxfen
```

- Start VCS.

```
# /opt/VRTS/bin/hastart
```

## Verifying I/O fencing configuration

Verify from the `vxfenadm` output that the SCSI-3 disk policy reflects the configuration in the `/etc/vxfenmode` file.

**To verify I/O fencing configuration**

- 1 On one of the nodes, type:

```
# vxfenadm -d
```

Output similar to the following appears if the fencing mode is SCSI3 and the SCSI3 disk policy is dmp:

```
I/O Fencing Cluster Information:
=====

Fencing Protocol Version: 201
Fencing Mode: SCSI3
Fencing SCSI3 Disk Policy: dmp
Cluster Members:

* 0 (sys1)
  1 (sys2)

RFSM State Information:
  node 0 in state 8 (running)
  node 1 in state 8 (running)
```

- 2 Verify that the disk-based I/O fencing is using the specified disks.

```
# vxfenconfig -l
```

## Setting up server-based I/O fencing manually

Tasks that are involved in setting up server-based I/O fencing manually include:

**Table 16-2** Tasks to set up server-based I/O fencing manually

| Task  | Reference   |
|---|---|
| Preparing the CP servers for use by the SFHA cluster                            | See <a href="#">“Preparing the CP servers manually for use by the SF HA cluster”</a> on page 211. |
| Modifying I/O fencing configuration files to configure server-based I/O fencing | See <a href="#">“Configuring server-based fencing on the SF HA cluster manually”</a> on page 214. |
| Modifying SFHA configuration to use I/O fencing                                 | See <a href="#">“Modifying VCS configuration to use I/O fencing”</a> on page 207.                 |

**Table 16-2** Tasks to set up server-based I/O fencing manually (*continued*)

| Task  | Reference  |
|---|--|
| Configuring Coordination Point agent to monitor coordination points | See “ <a href="#">Configuring CoordPoint agent to monitor coordination points</a> ” on page 215. |
| Verifying the server-based I/O fencing configuration                | See “ <a href="#">Verifying server-based I/O fencing configuration</a> ” on page 217.            |

## Preparing the CP servers manually for use by the SF HA cluster

Use this procedure to manually prepare the CP server for use by the SF HA cluster or clusters.

[Table 16-3](#) displays the sample values used in this procedure.

**Table 16-3** Sample values in procedure

| CP server configuration component | Sample name          |
|-----------------------------------|----------------------|
| CP server                         | cps1                 |
| Node #1 - SF HA cluster           | sys1                 |
| Node #2 - SF HA cluster           | sys2                 |
| Cluster name                      | clus1                |
| Cluster UUID                      | {f0735332-1dd1-11b2} |

**To manually configure CP servers for use by the SF HA cluster**

- 1 Determine the cluster name and uuid on the SF HA cluster.

For example, issue the following commands on one of the SF HA cluster nodes (sys1):

```
# grep cluster /etc/VRTSvcs/conf/config/main.cf

cluster clus1

# cat /etc/vx/.uuids/clusuuid

{f0735332-1dd1-11b2-bb31-00306eea460a}
```

- 2 Use the `cpsadm` command to check whether the SF HA cluster and nodes are present in the CP server.

For example:

```
# cpsadm -s cps1.symantecexample.com -a list_nodes
```

| ClusName | UUID                                   | Hostname (Node ID) | Registered |
|----------|--|--------------------|------------|
| clus1    | {f0735332-1dd1-11b2-bb31-00306eea460a} | sys1 (0)           | 0          |
| clus1    | {f0735332-1dd1-11b2-bb31-00306eea460a} | sys2 (1)           | 0          |

If the output does not show the cluster and nodes, then add them as described in the next step.

For detailed information about the `cpsadm` command, see the *Veritas Cluster Server Administrator's Guide*.

**3** Add the SF HA cluster and nodes to each CP server.

For example, issue the following command on the CP server (cps1.symantecexample.com) to add the cluster:

```
# cpsadm -s cps1.symantecexample.com -a add_clus\  
-c clus1 -u {f0735332-1dd1-11b2}
```

Cluster clus1 added successfully

Issue the following command on the CP server (cps1.symantecexample.com) to add the first node:

```
# cpsadm -s cps1.symantecexample.com -a add_node\  
-c clus1 -u {f0735332-1dd1-11b2} -h sys1 -n0
```

Node 0 (sys1) successfully added

Issue the following command on the CP server (cps1.symantecexample.com) to add the second node:

```
# cpsadm -s cps1.symantecexample.com -a add_node\  
-c clus1 -u {f0735332-1dd1-11b2} -h sys2 -n1
```

Node 1 (sys2) successfully added

**4** If security is to be enabled, check whether the CPSADM@VCS\_SERVICES@cluster\_uuid users are created in the CP server.

If the output below does not show the users, then add them as described in the next step.

```
# cpsadm -s cps1.symantecexample.com -a list_users
```

| Username/Domain                           | Type | Cluster Name / UUID        | Role     |
|---|------|----------------------------|----------|
| CPSADM@VCS_SERVICES@f0735332-1dd1-11b2/vx |      | clus1/{f0735332-1dd1-11b2} | Operator |

If security is to be disabled, then add the user name "cpsclient@hostname" to the server instead of the CPSADM@VCS\_SERVICES@cluster\_uuid (for example, cpsclient@sys1).

The CP server can only run in either secure mode or non-secure mode, both connections are not accepted at the same time.

## 5 Add the users to the CP server.

Issue the following commands on the CP server (cps1.symantecexample.com):

```
# cpsadm -s cps1.symantecexample.com -a add_user -e\  
CPSADM@VCS_SERVICES@cluster_uid\  
-f cps_operator -g vx
```

```
User CPSADM@VCS_SERVICES@cluster_uid  
successfully added
```

## 6 Authorize the CP server user to administer the SF HA cluster. You must perform this task for the CP server users corresponding to each node in the SF HA cluster.

For example, issue the following command on the CP server (cps1.symantecexample.com) for SF HA cluster clus1 with two nodes sys1 and sys2:

```
# cpsadm -s cps1.symantecexample.com -a\  
add_clus_to_user -c clus1\  
-u {f0735332-1dd1-11b2}\  
-e CPSADM@VCS_SERVICES@cluster_uid\  
-f cps_operator -g vx
```

```
Cluster successfully added to user  
CPSADM@VCS_SERVICES@cluster_uid privileges.
```

# Configuring server-based fencing on the SF HA cluster manually

The configuration process for the client or SF HA cluster to use CP server as a coordination point requires editing the `/etc/vxfenmode` file.

You need to edit this file to specify the following information for your configuration:

- Fencing mode
- Fencing mechanism
- Fencing disk policy (if applicable to your I/O fencing configuration)
- Appropriate value for the security configuration
- CP server or CP servers
- Coordinator disk group (if applicable to your I/O fencing configuration)

---

**Note:** Whenever coordinator disks are used as coordination points in your I/O fencing configuration, you must create a disk group (vxencoordg). You must specify this disk group in the `/etc/vxfenmode` file.

See [“Setting up coordinator disk groups”](#) on page 206.

---

The customized fencing framework also generates the `/etc/vxfentab` file which has security setting and the coordination points (all the CP servers and disks from disk group specified in `/etc/vxfenmode` file).

### To configure server-based fencing on the SF HA cluster manually

- 1 Use a text editor to edit the following file on each node in the cluster:

```
/etc/default/vxfen
```

You must change the values of the `VXFEN_START` and the `VXFEN_STOP` environment variables to 1.

- 2 Use a text editor to edit the `/etc/vxfenmode` file values to meet your configuration specifications.

If your server-based fencing configuration uses a single highly available CP server as its only coordination point, make sure to add the `single_cp=1` entry in the `/etc/vxfenmode` file.

The following sample file output displays what the `/etc/vxfenmode` file contains:

- 3 After editing the `/etc/vxfenmode` file, run the `vxfen` init script to start fencing.

For example:

```
# svcadm enable vxfen
```

- 4 Make sure that `/etc/vxfenmode` file contains the value of security is set to 1.

Make sure that following command displays the certificate being used by `cpsadm` client,

```
EAT_DATA_DIR=/vat/VRTSvc/vcsauth/data/CPSADM cpsat showcred
```

## Configuring CoordPoint agent to monitor coordination points

The following procedure describes how to manually configure the CoordPoint agent to monitor coordination points.

The CoordPoint agent can monitor CP servers and SCSI-3 disks.

See the *Veritas Cluster Server Bundled Agents Reference Guide* for more information on the agent.

**To configure CoordPoint agent to monitor coordination points**

- 1 Ensure that your SF HA cluster has been properly installed and configured with fencing enabled.
- 2 Create a parallel service group vxfen and add a coordpoint resource to the vxfen service group using the following commands:

```
# haconf -makerw
# hagr -add vxfen
# hagr -modify vxfen SystemList sys1 0 sys2 1
# hagr -modify vxfen AutoFailOver 0
# hagr -modify vxfen Parallel 1
# hagr -modify vxfen SourceFile "./main.cf"
# hares -add coordpoint CoordPoint vxfen
# hares -modify coordpoint FaultTolerance 0
# hares -override coordpoint LevelTwoMonitorFreq
# hares -modify coordpoint LevelTwoMonitorFreq 5
# hares -modify coordpoint Enabled 1
# haconf -dump -makero
```



- 3 Verify the status of the agent on the SF HA cluster using the `hares` commands. For example:

```
# hares -state coordpoint
```

The following is an example of the command and output::

```
# hares -state coordpoint

# Resource      Attribute  System  Value
coordpoint     State     sys1    ONLINE
coordpoint     State     sys2    ONLINE
```

- 4 Access the engine log to view the agent log. The agent log is written to the engine log.

The agent log contains detailed CoordPoint agent monitoring information; including information about whether the CoordPoint agent is able to access all the coordination points, information to check on which coordination points the CoordPoint agent is reporting missing keys, etc.

To view the debug logs in the engine log, change the `dbg` level for that node using the following commands:

```
# haconf -makerw

# hatype -modify Coordpoint LogDbg 10

# haconf -dump -makero
```

The agent log can now be viewed at the following location:

```
/var/VRTSvcS/log/engine_A.log
```

## Verifying server-based I/O fencing configuration

Follow the procedure described below to verify your server-based I/O fencing configuration.

### To verify the server-based I/O fencing configuration

- 1 Verify that the I/O fencing configuration was successful by running the `vxfenadm` command. For example, run the following command:

```
# vxfenadm -d
```

---

**Note:** For troubleshooting any server-based I/O fencing configuration issues, refer to the *Veritas Cluster Server Administrator's Guide*.

---

- 2 Verify that I/O fencing is using the specified coordination points by running the `vxfenconfig` command. For example, run the following command:

```
# vxfenconfig -l
```

If the output displays `single_cp=1`, it indicates that the application cluster uses a CP server as the single coordination point for server-based fencing.

## Setting up non-SCSI-3 fencing in virtual environments manually

### To manually set up I/O fencing in a non-SCSI-3 PR compliant setup

- 1 Configure I/O fencing in customized mode with only CP servers as coordination points.

See [“Setting up server-based I/O fencing manually”](#) on page 210.

- 2 Make sure that the SFHA cluster is online and check that the fencing mode is customized.

```
# vxfenadm -d
```

- 3 Make sure that the cluster attribute `UseFence` is set to `SCSI3`.

```
# haclus -value UseFence
```

- 4 On each node, edit the `/etc/vxenvron` file as follows:

```
data_disk_fencing=off
```

- 5 On each node, edit the `/kernel/drv/vxfen.conf` file as follows:

```
vxfen_vxind_tmt=25
```

- 6 On each node, edit the `/etc/vxfenmode` file as follows:

```
loser_exit_delay=55
vxfen_script_timeout=25
```

Refer to the sample `/etc/vxfenmode` file.

- 7 On each node, set the value of the LLT `sendhbcap` timer parameter value as follows:

- Run the following command:

```
lltconfig -T sendhbcap:3000
```

- Add the following line to the `/etc/llttab` file so that the changes remain persistent after any reboot:

```
set-timer senhbcap:3000
```

- 8 On any one node, edit the VCS configuration file as follows:

- Make the VCS configuration file writable:

```
# haconf -makerw
```

- For each resource of the type `DiskGroup`, set the value of the `MonitorReservation` attribute to 0 and the value of the `Reservation` attribute to `NONE`.

```
# hares -modify <dg_resource> MonitorReservation 0
```

```
# hares -modify <dg_resource> Reservation "NONE"
```

- Run the following command to verify the value:

```
# hares -list Type=DiskGroup MonitorReservation!=0
```

```
# hares -list Type=DiskGroup Reservation!="NONE"
```

The command should not list any resources.

- Modify the default value of the `Reservation` attribute at type-level.

```
# haattr -default DiskGroup Reservation "NONE"
```

- Make the VCS configuration file read-only

```
# haconf -dump -makero
```

- 9 Make sure that the UseFence attribute in the VCS configuration file main.cf is set to SCSI3.
- 10 To make these VxFEN changes take effect, stop and restart VxFEN and the dependent modules
  - On each node, run the following command to stop VCS:
 

```
# svcadm disable -t vcs
```
  - After VCS takes all services offline, run the following command to stop VxFEN:
 

```
# svcadm disable -t vxfen
```
  - On each node, run the following commands to restart VxFEN and VCS:
 

```
# svcadm enable vxfen
```

## Sample /etc/vxfenmode file for non-SCSI-3 fencing

```
=====
# vxfen_mode determines in what mode VCS I/O Fencing should work.
#
# available options:
# scsi3      - use scsi3 persistent reservation disks
# customized - use script based customized fencing
# disabled   - run the driver but don't do any actual fencing
#
vxfen_mode=customized

# vxfen_mechanism determines the mechanism for customized I/O
# fencing that should be used.
#
# available options:
# cps        - use a coordination point server with optional script
#              controlled scsi3 disks
#
vxfen_mechanism=cps

#
# scsi3_disk_policy determines the way in which I/O Fencing
# communicates with the coordination disks. This field is required
# only if customized coordinator disks are being used.
```

```
#
# available options:
# dmp - use dynamic multipathing
# raw - connect to disks using the native interface
#
# scsi3_disk_policy=dmp

#
# Seconds for which the winning sub cluster waits to allow for the
# losing subcluster to panic & drain I/Os. Useful in the absence of
# SCSI3 based data disk fencing
loser_exit_delay=55

#
# Seconds for which vxmfend process wait for a customized fencing
# script to complete. Only used with vxmfen_mode=customized
vxmfen_script_timeout=25

#
# security when enabled uses secure communication to the cp server
# using VxAT (Veritas Authentication Service)
# available options:
# 0 - don't use Veritas Authentication Service for cp server
#   communication
# 1 - use Veritas Authentication Service for cp server
#   communication
security=1

#
# Specify 3 or more odd number of coordination points in this file,
# one in its own line. They can be all-CP servers, all-SCSI-3
# compliant coordinator disks, or a combination of CP servers and
# SCSI-3 compliant coordinator disks. Please ensure that the CP
# server coordination points are numbered sequentially and in the
# same order on all the cluster nodes.
#
# Coordination Point Server(CPS) is specified as:
#
# cps<number>=[<vip/vhn>]:<port>
#
# If a CPS supports multiple virtual IPs or virtual hostnames over
# different subnets, all of the IPs/names can be specified in a
# comma separated list as follows:
```

```
#
# cps<number>=[<vip_1/vhn_1>]:<port_1>,[<vip_2/vhn_2>]:<port_2>,...,
#  [<vip_n/vhn_n>]:<port_n>
#
# Where,
# <number>
# is the serial number of the CPS as a coordination point; must
# start with 1.
# <vip>
# is the virtual IP address of the CPS, must be specified in
# square brackets ("[]").
# <vhn>
# is the virtual hostname of the CPS, must be specified in square
# brackets ("[]").
# <port>
# is the port number bound to a particular <vip/vhn> of the CPS.
# It is optional to specify a <port>. However, if specified, it
# must follow a colon (":") after <vip/vhn>. If not specified, the
# colon (":") must not exist after <vip/vhn>.
#
# For all the <vip/vhn>s which do not have a specified <port>, a
# default port can be specified as follows:
#
# port=<default_port>
#
# Where <default_port> is applicable to all the <vip/vhn>s for
# which a <port> is not specified. In other words, specifying <port>
# with a <vip/vhn> overrides the <default_port> for that <vip/vhn>.
# If the <default_port> is not specified, and there are <vip/vhn>s for
# which <port> is not specified, then port number 14250 will be used
# for such <vip/vhn>s.
#
# Example of specifying CP Servers to be used as coordination points:
# port=57777
# cps1=[192.168.0.23],[192.168.0.24]:58888,[cps1.company.com]
# cps2=[192.168.0.25]
# cps3=[cps2.company.com]:59999
#
# In the above example,
# - port 58888 will be used for vip [192.168.0.24]
# - port 59999 will be used for vhn [cps2.company.com], and
# - default port 57777 will be used for all remaining <vip/vhn>s:
#   [192.168.0.23]
```

```
# [cps1.company.com]
# [192.168.0.25]
# - if default port 57777 were not specified, port 14250 would be used
# for all remaining <vip/vhn>s:
# [192.168.0.23]
# [cps1.company.com]
# [192.168.0.25]
#
# SCSI-3 compliant coordinator disks are specified as:
#
# vxfendg=<coordinator disk group name>
# Example:
# vxfendg=vxfencoorddg
#
# Examples of different configurations:
# 1. All CP server coordination points
# cps1=
# cps2=
# cps3=
#
# 2. A combination of CP server and a disk group having two SCSI-3
# coordinator disks
# cps1=
# vxfendg=
# Note: The disk group specified in this case should have two disks
#
# 3. All SCSI-3 coordinator disks
# vxfendg=
# Note: The disk group specified in case should have three disks
#
cps1=[cps1.company.com]
cps2=[cps2.company.com]
cps3=[cps3.company.com]
port=14250
=====
```

## Upgrade of SFHA

- [Chapter 17. Planning to upgrade SFHA](#)
- [Chapter 18. Upgrading Storage Foundation and High Availability](#)
- [Chapter 19. Performing a rolling upgrade of SFHA](#)
- [Chapter 20. Performing a phased upgrade of SFHA](#)
- [Chapter 21. Performing an automated SFHA upgrade using response files](#)
- [Chapter 22. Upgrading SFHA using Live Upgrade](#)
- [Chapter 23. Performing post-upgrade tasks](#)



# Planning to upgrade SFHA

This chapter includes the following topics:

- [Upgrade methods for SFHA](#)
- [Supported upgrade paths for SFHA 6.0.1](#)
- [About using the installer to upgrade when the root disk is encapsulated](#)
- [Preparing to upgrade SFHA](#)

## Upgrade methods for SFHA

Symantec offers you several different ways to upgrade. You need to decide which upgrade method best suits your environment, your expertise, and the downtime required.

**Table 17-1** Review this table to determine how you want to perform the upgrade

| Upgrade types and considerations   | Methods available for upgrade   |
|--|---|
| Typical upgrades—use a Veritas provided tool or you can perform the upgrade manually. Requires some server downtime. | Script-based—you can use this to upgrade for the supported upgrade paths<br><br>Web-based—you can use this to upgrade for the supported upgrade paths<br><br>Manual—you can use this to upgrade from the previous release<br><br>Response file—you can use this to upgrade from the supported upgrade paths |

**Table 17-1** Review this table to determine how you want to perform the upgrade  
*(continued)*

| Upgrade types and considerations  | Methods available for upgrade   |
|---|---|
| Rolling upgrade—use a Veritas provided tool or you can perform the upgrade manually. Requires least amount of server downtime.                              | Script-based—you can use this to upgrade from the previous release<br><br>Web-based—you can use this to upgrade from the previous release |
| Phased upgrades—use a Veritas provided tool and some manual steps. Requires less server downtime than a regular upgrade.                                    | Script-based with some manual steps—you can use this to upgrade from the previous release   |
| Native operating system upgrade—use the upgrade software that comes with the operating system. Note that not all operating systems support native upgrades. | Operating system specific methods<br><br>Operating system upgrades  |

## Supported upgrade paths for SFHA 6.0.1

The following tables describe upgrading to 6.0.1.

**Table 17-2** Solaris SPARC upgrades using the script- or Web-based installer

| Veritas software versions                   | Solaris 8 or older   | Solaris 9  | Solaris 10 | Solaris 11 |
|---|--|--|------------|------------|
| 3.5<br>3.5 MP4<br>4.0<br>4.0 MP1<br>4.0 MP2 | Upgrade the operating system to at least Solaris 10, then upgrade product to 5.0 MP3. Upgrade to 6.0.1 using the installer script. | Upgrade the operating system to at least Solaris 10, then upgrade product to 5.0 MP3. Upgrade to 6.0.1 using the installer script. | N/A        | N/A        |

**Table 17-2** Solaris SPARC upgrades using the script- or Web-based installer  
*(continued)*

| Veritas software versions                   | Solaris 8 or older   | Solaris 9   | Solaris 10   | Solaris 11  |
|---|--|---|--|---|
| 4.1<br>4.1 MP1<br>4.1 MP2<br>5.0<br>5.0 MP1 | Upgrade the operating system to at least Solaris 10, then upgrade product to 5.0 MP3. Upgrade to 6.0.1 using the installer script. | Upgrade the operating system to at least Solaris 10, then upgrade product to 5.0MP3. Upgrade to 6.0.1 using the installer script. | Upgrade the product to 5.0 MP3. Upgrade to 6.0.1 using the installer script. | N/A   |
| 5.0 MP3<br>5.0 MP3 RPx                      | Upgrade the operating system to at least Solaris 10. Upgrade to 6.0.1 using the installer script.                                  | Upgrade operating system to at least Solaris 10. Upgrade to 6.0.1 using the installer script.                                     | Upgrade directly to 6.0.1 using the installer script.                        | N/A   |
| 5.1<br>5.1 RPx<br>5.1 SP1<br>5.1 SP1 RPx    | N/A  | Upgrade the operating system to at least Solaris 10. Upgrade to 6.0.1 using the installer script.                                 | Upgrade directly to 6.0.1 using the installer script.                        | N/A   |
| 6.0<br>6.0 RPx                              | N/A  | Upgrade the operating system to at least Solaris 10. Upgrade to 6.0.1 using the installer script.                                 | Upgrade directly to 6.0.1 using the installer script.                        | Upgrade directly to 6.0.1 using the installer script. |
| 6.0 PR1                                     | N/A  | N/A   | N/A  | Upgrade directly to 6.0.1 using the installer script. |

**Table 17-3** Solaris x64 upgrades using the script- or Web-based installer

| Veritas software versions                 | Solaris 10  | Solaris 11  |
|---|---|---|
| 4.1<br>4.1 Phase 2                        | Upgrade to 5.0 MP3.<br>Upgrade to 6.0.1 using the installer script. | N/A   |
| 5.0<br>5.0 MP3<br>5.0 MP3 RPx             | Upgrade to 5.0 MP3.<br>Upgrade to 6.0.1 using the installer script. | N/A   |
| 5.1<br>5.1 RPx<br>5.1 SP1*<br>5.1 SP1 RPx | Use the installer to upgrade to 6.0.1.                              | N/A   |
| 6.0<br>6.0 RPx                            | Use the installer to upgrade to 6.0.1.                              | Upgrade directly to 6.0.1 using the installer script. |
| 6.0 PR1                                   | N/A   | Upgrade directly to 6.0.1 using the installer script. |

\*When you upgrade to 6.0.1 from 5.1 SP1 using the Web-based installer, you must first upgrade to 5.1 SP1 RP1 if you want the installer to create a backup of the boot disk. You can upgrade directly to 6.0.1 from 5.1 SP1 if you do not want the installer to create a backup of the boot disk.

## About using the installer to upgrade when the root disk is encapsulated

In prior versions of SFHA, when upgrading a system with an encapsulated root disk, you first had to unencapsulate. When upgrading to SFHA 6.0.1, that is no longer necessary, as shown in the table below.

**Table 17-4** Upgrading using installer when the root disk is encapsulated

| Starting version | Ending version | Action required   |
|------------------|----------------|---|
| 5.0 MP3 RPx      | 6.0.1          | Do not unencapsulate. The installer runs normally.<br>Reboot after upgrade. |

**Table 17-4** Upgrading using installer when the root disk is encapsulated  
(continued)

| Starting version       | Ending version | Action required  |
|------------------------|----------------|--|
| 5.1 or 5.1 RPx         | 6.0.1          | Do not unencapsulate. The installer runs normally. Reboot after upgrade. |
| 5.1 SP1 or 5.1 SP1 RPx | 6.0.1          | Do not unencapsulate. The installer runs normally. Reboot after upgrade. |

## Preparing to upgrade SFHA

Before you upgrade, you need to prepare the systems and storage. Review the following procedures and perform the appropriate tasks.

### Getting ready for the upgrade

Complete the following tasks before you perform the upgrade:

- Review the Symantec Technical Support website for additional information: <http://www.symantec.com/techsupp/>
- Perform the following system-level settings:
  - Set `diag-level` to `min` to perform the minimum amount of diagnostics when the system boots. Depending on the configuration of your systems you may want to re-enable this after you perform the upgrade.

```
{1} ok setenv diag-level min
diag-level=min
```

- Set `auto-boot?` to `false`. For tight control when systems reboot, set this variable to `false`. Re-enable this variable after the upgrade.

```
{1} ok setenv auto-boot? false
auto-boot?=false
```

- Deactivate cron to make sure that extraneous jobs are not performed while you upgrade the systems. Do one of the following:  
Solaris 9:

```
# /etc/init.d/cron stop
```

Solaris 10:

```
# svcadm disable -t system/cron:default
```

Solaris 11:

```
# ps -ef | grep cron
# kill cron pid
# svcadm disable svc:/system/cron:default
```

- For Solaris 10, make sure that all non-global zones are booted and in the running state before you use the Veritas product installer to upgrade the Storage Foundation products in the global zone. If the non-global zones are not mounted and running at the time of the upgrade, you must upgrade each package in each non-global zone manually.

For Live Upgrade, if the alternative root environment also has a zone, you cannot install `VRTSodm`. You must remove the `VRTSodm` package first then install the Storage Foundation product. After you reboot the alternative root, you can install `VRTSodm`.

- Make sure that the administrator who performs the upgrade has root access and a good knowledge of the operating system's administration.
- Make sure that all users are logged off and that all major user applications are properly shut down.
- Make sure that you have created a valid backup.  
See [“Creating backups”](#) on page 231.
- Ensure that you have enough file system space to upgrade. Identify where you want to copy the packages, for example `/packages/Veritas` when the root file system has enough space or `/var/tmp/packages` if the `/var` file system has enough space.  
Do not put the files under `/tmp`, which is erased during a system reboot.  
Do not put the files on a file system that is inaccessible prior to running the upgrade script.  
You can use a Veritas-supplied disc for the upgrade as long as modifications to the upgrade script are not required.  
If `/usr/local` was originally created as a slice, modifications are required.
- Unmount all the file systems not on the `root` disk. Comment out their entries in `/etc/vfstab`. Stop the associated volumes and deport the associated disk groups. Any file systems that the Solaris operating system or Storage Foundation assumes should be in `rootdg` but are not, must be unmounted and the associated entry in `/etc/vfstab` commented out.

- For any startup scripts in `/sbin/rcS.d`, comment out any application commands or processes that are known to hang if their file systems are not present.
- Make sure that the current operating system supports version 6.0.1 of the product. If the operating system does not support it, plan for a staged upgrade.
- Schedule sufficient outage time and downtime for the upgrade and any applications that use the Veritas products. Depending on the configuration, the outage can take several hours.
- Any swap partitions not in `rootdg` must be commented out of `/etc/vfstab`. If possible, swap partitions other than those on the root disk should be commented out of `/etc/vfstab` and not mounted during the upgrade. Active swap partitions that are not in `rootdg` cause `upgrade_start` to fail.
- Make sure the file systems are clean before upgrading.  
See [“Verifying that the file systems are clean”](#) on page 240.
- Symantec recommends that you upgrade VxFS disk layouts to a supported version prior to installing VxFS 6.0.1. Unsupported disk layout versions 4, 5, and 6 can be mounted for the purpose of online upgrading in VxFS 6.0.1. You can upgrade unsupported layout versions online before installing VxFS 6.0.1.
- Upgrade arrays (if required).  
See [“Upgrading the array support”](#) on page 241.
- To reliably save information on a mirrored disk, shut down the system and physically remove the mirrored disk. Removing the disk in this manner offers a fallback point.
- Determine if the root disk is encapsulated.  
See [“Determining if the root disk is encapsulated”](#) on page 232.

## Creating backups

Save relevant system information before the upgrade.

### To create backups

- 1 Log in as superuser.
- 2 Before the upgrade, ensure that you have made backups of all data that you want to preserve.

Back up the `/etc/system` file.

- 3 Installer verifies that recent backups of configuration files in VxVM private region have been saved in `/etc/vx/cbr/bk`.  
If not, a warning message is displayed.

---

**Warning:** Backup `/etc/vx/cbr/bk` directory.

---

- 4 Copy the `vfstab` file to `vfstab.orig`:  

```
# cp /etc/vfstab /etc/vfstab.orig
```
- 5 Run the `vxlicrep`, `vxdisk list`, and `vxprint -ht` commands and record the output. Use this information to reconfigure your system after the upgrade.
- 6 If you are installing the high availability version of the Veritas Storage Foundation 6.0.1 software, follow the guidelines given in the *Veritas Cluster Server Installation Guide* and *Veritas Cluster Server Release Notes* for information on preserving your VCS configuration across the installation procedure.

## Tasks for upgrading the Storage Foundation for Databases (SFDB)

Tasks for upgrading SFDB tools to version 6.0.1:

- Preparing to migrate the repository database before upgrading from 5.0x or earlier to 6.0.1  
See [“Pre-upgrade tasks for migrating the SFDB repository database”](#) on page 233.
- Migrating the repository database after upgrading from 5.0.x or earlier to 6.0.1  
See [“Post upgrade tasks for migrating the SFDB repository database”](#) on page 313.

## Determining if the root disk is encapsulated

Before you upgrade, you need to determine if the root disk is encapsulated by running the following command:

```
# mount | grep "/ on"
```

If the output from this command includes a path name that contains `vx` and `rootvol` as in `/dev/vx/dsk/bootdg/rootvol`, then the root disk is encapsulated.

If the root disk is encapsulated, follow the appropriate upgrade procedures.

See [“About using the installer to upgrade when the root disk is encapsulated”](#) on page 228.



## Pre-upgrade tasks for migrating the SFDB repository database

---

**Note:** The Sfua\_Base repository resource group will be removed from the main.cf file. It is not required as a separate service group for SFHA 6.0.1.

---

Perform the following before upgrading SFHA.

### To prepare to migrate the repository database

- ◆ Resynchronize all existing snapshots before upgrading. As Oracle user, enter:

```
$ /opt/VRTS/bin/dbed_vmsnap -s $ORACLE_SID \  
-f SNAPPLAN -o resync
```

---

**Warning:** The Database Flashsnap clone database will not be able to be carried over after upgrading. You must create a new Database Flashsnap clone database after upgrading to 6.0.1.

---

## Pre-upgrade planning for Veritas Volume Replicator

Before installing or upgrading Veritas Volume Replicator (VVR):

- Confirm that your system has enough free disk space to install VVR.
- Make sure you have root permissions. You must have root permissions to perform the install and upgrade procedures.
- If replication using VVR is configured, Symantec recommends that the disk group version is at least 110 prior to upgrading.

You can check the Disk Group version using the following command:

```
# vxdg list diskgroup
```

- If replication using VVR is configured, make sure the size of the SRL volume is greater than 110 MB.

Refer to the *Veritas Storage Foundation and High Availability Solutions Replication Administrator's Guide*.

- If replication using VVR is configured, verify that all the Primary RLINKs are up-to-date on all the hosts.

```
# /usr/sbin/vxrlink -g diskgroup status rlink_name
```

---

**Note:** Do not continue until the primary RLINKs are up-to-date.

---

- If VCS is used to manage VVR replication, follow the preparation steps to upgrade VVR and VCS agents.
- Make sure that you have worked out all terminal emulation issues. Make sure that the terminal you use is fully functional for OpenBoot prompts and single-user and multi-user run levels.

See the *Veritas Storage Foundation and High Availability Solutions Replication Administrator's Guide* for more information.

See the *Getting Started Guide* for more information on the documentation.

## Planning an upgrade from the previous VVR version

If you plan to upgrade VVR from the previous VVR version, you can upgrade VVR with reduced application downtime by upgrading the hosts at separate times. While the Primary is being upgraded, the application can be migrated to the Secondary, thus reducing downtime. The replication between the (upgraded) Primary and the Secondary, which have different versions of VVR, will still continue. This feature facilitates high availability even when the VVR upgrade is not complete on both the sites. Symantec recommends that the Secondary hosts be upgraded before the Primary host in the Replicated Data Set (RDS).

See the *Storage Foundation and High Availability Release Notes* for information regarding VVR support for replicating across Storage Foundation versions

Replicating between versions is intended to remove the restriction of upgrading the Primary and Secondary at the same time. VVR can continue to replicate an existing RDS with Replicated Volume Groups (RVGs) on the systems that you want to upgrade. When the Primary and Secondary are at different versions, VVR does not support changing the configuration with the `vradmin` command or creating a new RDS.

Also, if you specify TCP as the network protocol, the VVR versions on the Primary and Secondary determine whether the checksum is calculated. As shown in [Table 17-5](#), if either the Primary or Secondary are running a version of VVR prior to 6.0.1, and you use the TCP protocol, VVR calculates the checksum for every data packet it replicates. If the Primary and Secondary are at VVR 6.0.1, VVR does not calculate the checksum. Instead, it relies on the TCP checksum mechanism.

**Table 17-5** VVR versions and checksum calculations

| VVR prior to 6.0.1<br>(DG version <= 140) | VVR 6.0.1<br>(DG version >= 150) | VVR calculates checksum<br>TCP connections? |
|---|----------------------------------|---|
| Primary                                   | Secondary                        | Yes   |
| Secondary                                 | Primary                          | Yes   |
| Primary and Secondary                     |                                  | Yes   |
|   | Primary and Secondary            | No  |

**Note:** When replicating between versions of VVR, avoid using commands associated with new features. The earlier version may not support new features and problems could occur.

If you do not need to upgrade all the hosts in the RDS simultaneously, you can use replication between versions after you upgrade one host. You can then upgrade the other hosts in the RDS later at your convenience.

**Note:** If you have a cluster setup, you must upgrade all the nodes in the cluster at the same time.

### Planning and upgrading VVR to use IPv6 as connection protocol

Storage Foundation and High Availability supports using IPv6 as the connection protocol.

This release supports the following configurations for VVR:

- VVR continues to support replication between IPv4-only nodes with IPv4 as the internet protocol
- VVR supports replication between IPv4-only nodes and IPv4/IPv6 dual-stack nodes with IPv4 as the internet protocol
- VVR supports replication between IPv6-only nodes and IPv4/IPv6 dual-stack nodes with IPv6 as the internet protocol
- VVR supports replication between IPv6 only nodes
- VVR supports replication to one or more IPv6 only nodes and one or more IPv4 only nodes from a IPv4/IPv6 dual-stack node
- VVR supports replication of a shared disk group only when all the nodes in the cluster that share the disk group are at IPv4 or IPv6

## Additional settings for using VVR in a localized environment

If the language packages for VVR are installed, VVR displays localized messages, if the client locale is a supported non-English locale. The client locale is the locale from which you are accessing the VVR command line or GUI. For example, if the Japanese version of VVR is installed, then the messages are displayed in the Japanese locale, if the client locale is Japanese.

Make sure that the appropriate locale has been installed on all the hosts that are intended to be a part of the VVR RDS setup. Otherwise, some VVR error messages will be displayed in English, because it is the default locale. Make sure the following settings are done on all hosts that are intended to be part of the RDS:

- Install the required client locale from the Operating System disc.
- Install the required Volume Manager and VVR localized packages.
- Set the client locale, before using any of the VVR interfaces:
  - For the VVR command line, set the locale using the appropriate method for your operating system.
  - For VRW, select the locale from the VRW login page.

## Preparing to upgrade VVR when VCS agents are configured

To prepare to upgrade VVR when VCS agents for VVR are configured, perform the following tasks in the order presented:

- [Freezing the service groups and stopping all the applications](#)
- [Preparing for the upgrade when VCS agents are configured](#)

### Freezing the service groups and stopping all the applications

This section describes how to freeze the service groups and stop all applications.

To freeze the service groups and stop applications

**Perform the following steps for the Primary and Secondary clusters:**

- 1 Log in as the superuser.
- 2 Make sure that `/opt/VRTS/bin` is in your PATH so that you can execute all the product commands.
- 3 Before the upgrade, cleanly shut down all applications.
  - OFFLINE all application service groups that do not contain RVG resources. Do not OFFLINE the service groups containing RVG resources.

- If the application resources are part of the same service group as an RVG resource, then OFFLINE only the application resources. In other words, ensure that the RVG resource remains ONLINE so that the private disk groups containing these RVG objects do not get deported.

---

**Note:** You must also stop any remaining applications not managed by VCS.

---

- 4 On any node in the cluster, make the VCS configuration writable:

```
# haconf -makerw
```

- 5 On any node in the cluster, list the groups in your configuration:

```
# hagr -list
```

- 6 On any node in the cluster, freeze all service groups except the ClusterService group by typing the following command for each group name displayed in the output from step 5.

```
# hagr -freeze group_name -persistent<sys_name>
```

---

**Note:** Make a note of the list of frozen service groups for future use.

---

- 7 On any node in the cluster, save the configuration file (`main.cf`) with the groups frozen:

```
# haconf -dump -makero
```

---

**Note:** Continue only after you have performed steps 3 to step 7 for each node of the cluster.

---

- 8 Display the list of service groups that have RVG resources and the nodes on which each service group is online by typing the following command on any node in the cluster:

```
# hares -display -type RVG -attribute State
Resource      Attribute      System      Value
VVRGp         State          system02    ONLINE
ORAGrp        State          system02    ONLINE
```

---

**Note:** For the resources that are ONLINE, write down the nodes displayed in the System column of the output.

---

- 9 Repeat step 8 for each node of the cluster.
- 10 For private disk groups, determine and note down the hosts on which the disk groups are imported.

See [“Determining the nodes on which disk groups are online”](#) on page 238.

### **Determining the nodes on which disk groups are online**

For private disk groups, determine and note down the hosts on which the disk groups containing RVG resources are imported. This information is required for restoring the configuration after the upgrade.

### To determine the online disk groups

- 1 On any node in the cluster, list the disk groups in your configuration, and note down the disk group names listed in the output for future use:

```
# hares -display -type RVG -attribute DiskGroup
```

---

**Note:** Write down the list of the disk groups that are under VCS control.

---

- 2 For each disk group listed in the output in step 1, list its corresponding disk group resource name:

```
# hares -list DiskGroup=diskgroup Type=DiskGroup
```

- 3 For each disk group resource name listed in the output in step 2, get and note down the node on which the disk group is imported by typing the following command:

```
# hares -display dg_resname -attribute State
```

The output displays the disk groups that are under VCS control and nodes on which the disk groups are imported.

## Preparing for the upgrade when VCS agents are configured

If you have configured the VCS agents, it is recommended that you take backups of the configuration files, such as `main.cf` and `types.cf`, which are present in the `/etc/VRTSvcs/conf/config` directory.

**To prepare a configuration with VCS agents for an upgrade**

- 1 List the disk groups on each of the nodes by typing the following command on each node:

```
# vxdisk -o alldgs list
```

The output displays a list of the disk groups that are under VCS control and the disk groups that are not under VCS control.

---

**Note:** The disk groups that are not locally imported are displayed in parentheses.

---

- 2 If any of the disk groups have not been imported on any node, import them. For disk groups in your VCS configuration, you can import them on any node. For disk groups that are not under VCS control, choose an appropriate node on which to import the disk group. Enter the following command on the appropriate node:

```
# vxdg -t import diskgroup
```

- 3 If a disk group is already imported, then recover the disk group by typing the following command on the node on which it is imported:

```
# vxrecover -bs
```

- 4 Verify that all the Primary RLINKs are up to date.

```
# vxrlink -g diskgroup status rlink_name
```

---

**Note:** Do not continue until the Primary RLINKs are up-to-date.

---

## Verifying that the file systems are clean

Verify that all file systems have been cleanly unmounted.



### To make sure the file systems are clean

- 1 Verify that all file systems have been cleanly unmounted:

```
# echo "8192B.p S" | /opt/VRTSvxfs/sbin/fsdb filesystem | \  
    grep clean  
    flags 0 mod 0 clean clean_value
```

A *clean\_value* value of `0x5a` indicates the file system is clean. A value of `0x3c` indicates the file system is dirty. A value of `0x69` indicates the file system is dusty. A dusty file system has pending extended operations.

- 2 If a file system is not clean, enter the following commands for that file system:

```
# opt/VRTS/bin/fsck -F vxfs filesystem  
# opt/VRTS/bin/mount -F vxfs Block_Device  
    mountpoint  
# opt/VRTS/bin/umount mountpoint
```

These commands should complete any extended operations on the file system and unmount the file system cleanly.

A pending large package clone removal extended operation might be in progress if the `umount` command fails with the following error:

```
file system device busy
```

An extended operation is in progress if the following message is generated on the console:

```
Storage Checkpoint asynchronous operation on file_system  
file system still in progress.
```

- 3 If an extended operation is in progress, you must leave the file system mounted for a longer time to allow the operation to complete. Removing a very large package clone can take several hours.
- 4 Repeat step 1 to verify that the unclean file system is now clean.

## Upgrading the array support

The Storage Foundation 6.0.1 release includes all array support in a single package, VRTSaslapm. The array support package includes the array support previously included in the VRTSvxvm package. The array support package also includes support previously packaged as external array support libraries (ASLs) and array policy modules (APMs).

See the 6.0.1 Hardware Compatibility List for information about supported arrays.

See [“Hardware compatibility list \(HCL\)”](#) on page 31.

When you upgrade Storage Foundation products with the product installer, the installer automatically upgrades the array support. If you upgrade Storage Foundation products with manual steps, you should remove any external ASLs or APMs that were installed previously on your system. Installing the VRTSvxvm package exits with an error if external ASLs or APMs are detected.

After you have installed Storage Foundation 6.0.1, Symantec provides support for new disk arrays through updates to the VRTSaslapm package.

For more information about array support, see the *Veritas Storage Foundation Administrator's Guide*.

# Upgrading Storage Foundation and High Availability

This chapter includes the following topics:

- [Upgrading Storage Foundation and High Availability with the product installer when OS upgrade is not required](#)
- [Upgrading Storage Foundation and High Availability to 6.0.1 using the product installer or manual steps](#)
- [Upgrading Storage Foundation and High Availability using the Veritas Web-based installer](#)
- [Upgrading the Solaris operating system](#)
- [Upgrading Veritas Volume Replicator](#)
- [Upgrading language packages](#)

## Upgrading Storage Foundation and High Availability with the product installer when OS upgrade is not required

This section describes upgrading to the current Storage Foundation and High Availability if the root disk is unencapsulated, and you do not intend to upgrade your Solaris version. Only use this procedure if you are already running a version of Solaris that is supported with 6.0.1.

### To upgrade Storage Foundation and High Availability

- 1 Log in as superuser.
- 2 If the root disk is encapsulated under VxVM, unmirror and unencapsulate the root disk as described in the following steps, to be performed in the order listed:

- Use the `vxplex` command to remove all the plexes of the volumes `rootvol`, `swapvol`, `usr`, `var`, `opt` and `home` that are on disks other than the root disk. For example, the following command removes the plexes `mirrootvol-01`, and `mirswapvol-01` that are configured on a disk other than the root disk:

```
# vxplex -o rm dis mirrootvol-01 mirswapvol-01
```

---

**Warning:** Do not remove the plexes on the root disk that correspond to the original disk partitions.

---

- Enter the following command to convert all the encapsulated volumes in the root disk back to being accessible directly through disk partitions instead of through volume devices.

```
# /etc/vx/bin/vxunroot
```

Following the removal of encapsulation, the system is rebooted from the unencapsulated root disk.

If your system is running VxVM 4.1 MP2, the following remnants of encapsulation will still be present:

- Partition table entries for the private and public regions
  - GRUB or LILO configuration entries for VxVM
- 3 Unmount any mounted VxFS file systems.

The installer supports the upgrade of multiple hosts, if each host is running the same version of VxVM and VxFS. Hosts must be upgraded separately if they are running different versions.

If any VxFS file systems are mounted with the QuickLog feature, QuickLog must be disabled before upgrading. See the "Veritas QuickLog" chapter of the *Storage Foundation Administrator's Guide* for more information.

- 4 If you are upgrading Storage Foundation and High Availability, take all service groups offline.

List all service groups:

```
# /opt/VRTSvcs/bin/hagrp -list
```

For each service group listed, take it offline:

```
# /opt/VRTSvcs/bin/hagrp -offline service_group \  
-sys system_name
```

- 5 Enter the following commands on each node to freeze HA service group operations:

```
# haconf -makerw  
# hasys -freeze -persistent nodename  
# haconf -dump -makero
```

- 6 If your system has separate `/opt` and `/var` file systems, make sure they are mounted before proceeding with installation.

- 7 If replication using VVR is configured, verify that all the Primary RLINKs are up-to-date:

```
# /usr/sbin/vxrlink -g diskgroup status rlink_name
```

---

**Note:** Do not continue until the Primary RLINKs are up-to-date.

---

- 8 Load and mount the disc. If you downloaded the software, navigate to the top level of the download directory.

- 9 From the disc, run the `installer` command. If you downloaded the software, run the `./installer` command.

```
# cd /cdrom/cdrom0  
# ./installer
```

- 10 Enter `g` to upgrade and select the **Full Upgrade**.

- 11 You are prompted to enter the system names (in the following example, "sys1") on which the software is to be installed. Enter the system name or names and then press Return.

```
Enter the system names separated by spaces on which to
install SFHA: sys1 sys2
```

Depending on your existing configuration, various messages and prompts may appear. Answer the prompts appropriately.

- 12 The installer asks if you agree with the terms of the End User License Agreement. Press **y** to agree and continue.
- 13 The installer lists the packages to install or to update. You are prompted to confirm that you are ready to upgrade.
- 14 The installer discovers if any of the systems that you are upgrading have mirrored and encapsulated boot disks. For each system that has a mirrored boot disk, you have the option to create a backup of the system's boot disk group before the upgrade proceeds. If you want to split the boot disk group to create a backup, answer **y**.
- 15 The installer then prompts you to name the backup boot disk group. Enter the name for it or press **Enter** to accept the default.
- 16 You are prompted to start the split operation. Press **y** to continue.

---

**Note:** The split operation can take some time to complete.

---

- 17 Stop the product's processes.

```
Do you want to stop SFHA processes now? [y,n,q] (y) y
```

If you select **y**, the installer stops the product processes and makes some configuration updates before upgrading.

- 18 The installer stops, uninstalls, reinstalls, and starts specified packages.
- 19 If the upgrade was done from 5.0 or if the Storage Foundation and High Availability was done without vxkeyless keys, the installer shows the following warning:

```
CPI WARNING V-9-40-5323 SFHA license version 5.0 is not
updated to 6.0 on sys1. It's recommended to upgrade to a 6.0 key.
CPI WARNING V-9-40-5323 SFHA license version 5.0 is not updated
to 6.0 on sys2. It's recommended to upgrade to a 6.0 key.
SFHA is licensed on the systems.
Do you wish to enter additional licenses? [y,n,q,b] (n) n
```

- 20 The Storage Foundation and High Availability software is verified and configured.
- 21 The installer prompts you to provide feedback, and provides the log location for the upgrade.
- 22 Only perform this step if you have split the mirrored root disk to back it up. After a successful reboot, verify the upgrade and re-join the backup disk group into the upgraded boot disk group. If the upgrade fails, revert the upgrade boot disk group to the backup disk group.  
  
See [“Re-joining the backup boot disk group into the current disk group”](#) on page 312.  
  
See [“Reverting to the backup boot disk group after an unsuccessful upgrade”](#) on page 312.

## Upgrading Storage Foundation and High Availability to 6.0.1 using the product installer or manual steps

This section describes upgrading SFHA from a prior release to 6.0.1. Symantec recommends that you perform this upgrade from single-user mode.

No VxFS file systems can be in use at the time of the upgrade.

Choose the appropriate procedure for your situation.

- If the current Storage Foundation product is installed on an operating system supported by 6.0.1, you do not need to upgrade the operating system. If you do not plan to upgrade the operating system, use one of the following upgrade procedures:
  - Upgrade SF but not OS with the product installer. This is the recommended upgrade procedure.  
See [“Upgrading Storage Foundation and High Availability with the product installer”](#) on page 248.
  - Upgrade SF but not OS with manual steps (pkgadd command).  
See [“Upgrading Storage Foundation and High Availability using manual steps”](#) on page 250.
- If you plan to upgrade the operating system, you must perform additional steps to upgrade. If the current Storage Foundation product is installed on an operating system which is no longer supported by 6.0.1, you must upgrade the operating system. If you plan to upgrade the operating system, use the following upgrade procedure:

See [“Upgrading Veritas Storage Foundation to 6.0.1 using upgrade scripts \(OS upgrade\)”](#) on page 253.

## Upgrading Storage Foundation and High Availability with the product installer

This section describes upgrading to the current Storage Foundation and High Availability, and you do not intend to upgrade your Solaris version. Only use this procedure if you are already running a version of Solaris that is supported with 6.0.1.

### To upgrade Storage Foundation and High Availability

- 1 Log in as superuser.
- 2 Unmount any mounted VxFS file systems.

The installer supports the upgrade of multiple hosts, if each host is running the same version of VxVM and VxFS. Hosts must be upgraded separately if they are running different versions.

If any VxFS file systems are mounted with the QuickLog feature, QuickLog must be disabled before upgrading. See the "Veritas QuickLog" chapter of the *Veritas File System Administrator's Guide* for more information.

- 3 If you are upgrading a high availability (HA) product, take all service groups offline.

List all service groups:

```
# /opt/VRTSvcs/bin/hagrp -list
```

For each service group listed, take it offline:

```
# /opt/VRTSvcs/bin/hagrp -offline service_group \  
-sys system_name
```

- 4 Enter the following commands on each node to freeze HA service group operations:

```
# haconf -makerw  
# hasys -freeze -persistent nodename  
# haconf -dump -makero
```

- 5 If your system has separate `/opt` and `/var` file systems, make sure they are mounted before proceeding with installation.



- 6 If replication using VVR is configured, verify that all the Primary RLINKs are up-to-date:

```
# vxrlink -g diskgroup status rlink_name
```

---

**Note:** Do not continue until the Primary RLINKs are up-to-date.

---

- 7 Load and mount the disc.

See [“Mounting the product disc”](#) on page 57.

- 8 To invoke the common installer, run the `installer` command on the disc as shown in this example:

```
# cd /cdrom/cdrom0
# ./installer
```

- 9 Enter `g` to upgrade and press Return.

- 10 You are prompted to enter the system names (in the following example, "host1"). Enter the system name or names and then press Return.

```
Enter the system names separated by spaces on which to
install SFHA: host1
```

Depending on your existing configuration, various messages and prompts may appear. Answer the prompts appropriately.

- 11 Installer asks if you agree with the terms of the End User License Agreement. Press `y` to agree and continue.
- 12 You can perform this step if you upgrading from SFHA 5.1 SP1 for Solaris; for x64 from SFHA 5.1 SP1 RP1.

The installer discovers if any of the systems that you are upgrading have mirrored and encapsulated boot disks. For each system that has a mirrored boot disk, you have the option to create a backup of the system's boot disk group before the upgrade proceeds. If you want to split the boot disk group to create a backup, answer `y`.

---

**Note:** Splitting the mirrors for the root disk group backup requires a reboot upon completion of the upgrade.

---

- 13 The installer then prompts you to name the backup boot disk group. Enter the name for it or press **Enter** to accept the default.

---

**Note:** The split operation can take some time to complete.

---

- 14 You are prompted to start the split operation. Press **y** to continue.

- 15 Stop the product's processes.

```
Do you want to stop SFHA processes now? ? [y,n,q] (y) y
```

- 16 The installer lists the packages to install or upgrade, and performs the installation or upgrade.

- 17 If the upgrade was done from 5.0 or if the Storage Foundation and High Availability was done without vxkeyless keys, the installer shows the following warning:

```
CPI WARNING V-9-40-5323 SFHA license version 5.0 is not
updated to 6.0 on sys1. It's recommended to upgrade to a 6.0 key.
CPI WARNING V-9-40-5323 SFHA license version 5.0 is not updated
to 6.0 on sys2. It's recommended to upgrade to a 6.0 key.
SFHA is licensed on the systems
Do you wish to enter additional licenses? [y,n,q,b] (n) n
```

- 18 The installer verifies, configures, and starts the Veritas Storage Foundation software.
- 19 Only perform this step if you have split the boot disk group into a backup disk group. After a successful reboot, verify the upgrade and re-join the backup disk group. If the upgrade fails, revert to the backup disk group.

See [“Re-joining the backup boot disk group into the current disk group”](#) on page 312.

See [“Reverting to the backup boot disk group after an unsuccessful upgrade”](#) on page 312.

## Upgrading Storage Foundation and High Availability using manual steps

This section describes upgrading from a previous version of Storage Foundation and High Availability to the current Storage Foundation and High Availability (6.0.1) when you do not intend to upgrade your Solaris version. Only use this procedure if you are already running a version of Solaris that is supported with 6.0.1.

## To upgrade Storage Foundation and High Availability

- 1 Unmount any mounted VxFS file systems.

The installer supports the upgrade of multiple hosts, if each host is running the same version of VxVM and VxFS. Hosts must be upgraded separately if they are running different versions.

If any VxFS file systems are mounted with the QuickLog feature, QuickLog must be disabled before upgrading. See the "Veritas QuickLog" chapter of the *Veritas File System Administrator's Guide* for more information.

- 2 If the VxFS NetBackup libraries package (`VRTSfsnbl`) is installed, remove it before you install the new packages.

To remove the package, use the `pkgrm` (Solaris 10) or `pkg uninstall` (Solaris 11) command as follows:

```
# pkgrm VRTSfsnbl
```

or

```
# pkg uninstall VRTSfsnbl
```

Respond to any system messages as needed.

The libraries contained in this package are included in the `VRTSvxfs` package in 6.0.1.

- 3 Verify that all the Primary RLINKs are up-to-date on all the hosts.

```
# vxrlink -g diskgroup status rlink_name
```

---

**Caution:** Do not continue until the Primary RLINKs are up-to-date.

---

- 4 If your system has separate `/opt` and `/var` file systems, make sure they are mounted before proceeding with installation.

- 5 Load and mount the software disc.

See "[Mounting the product disc](#)" on page 57.

- 6 Change to the directory containing the SFHA packages.

```
# cd /dvd_mount
```

- 7 If VVR is configured, run the `vvr_upgrade_start` script on all hosts to save the original VVR configuration:

```
# ./scripts/vvr_upgrade_start
```

- 8 Remove the Veritas packages from your existing installation.

Refer to the *Storage Foundation and High Availability Installation Guide* for the previous release to obtain the list of packages to remove.

- 9 Run the following command to obtain a list of recommended packages to install:

```
# ./installsfha -recpkgs
```

- 10 Use the `pkgadd` (Solaris 10) or `pkg install` (Solaris 11) command to install the packages from the previous steps.

On Solaris 10:

```
# pkgadd -d ./package_name.pkg
```

On Solaris 11:

```
# pkg set-publisher -p /dvd_mount/VRTSpkgs.p5p Symantec
# pkg install --accept pkg_name
# pkg unset-publisher Symantec
```

If replication using VVR is configured, ignore the following error messages that appear on the Primary console during the installation process:

```
VxVM VVR vxrlink ERROR V-5-1-3371 Can not recover rlink_name.
rvg_name is in PASSTHRU mode
```

```
VxVM VVR vxrlink ERROR V-5-1-3473 Log header I/O error
```

Also ignore the following error message that appears on the Secondary console:

```
WARNING: VxVM VVR vxio V-5-0-278 Rlink rlink_name is stale and
not replicating
```

- 11 Configure the SFHA installation using the `installsfha -configure` command.

- 12 If VVR is configured, issue the following command on all the hosts to complete the upgrade. If a host contains only Secondary RVGs, we recommend that you first run the following command on that host:

```
# /dvd_mount/scripts/vvr_upgrade_finish
```

The `vvr_upgrade_finish` script upgrades only the SRL, after which, the RVG cannot work with the earlier versions of VxVM or VVR.

## Upgrading Veritas Storage Foundation to 6.0.1 using upgrade scripts (OS upgrade)

This section describes upgrading to the current Veritas Storage Foundation and need to upgrade the Solaris version. If the operating system is not at a supported Solaris version, you must follow this procedure.

This upgrade procedure allows you to retain existing VxVM and VxFS configurations. After upgrading, you can resume using your file systems and volumes as before (without having to run `vxinstall` again).

It is important that you follow these steps in the specified order.

### To begin the upgrade

- 1 If VCS agents for VVR are configured, you must perform the pre-upgrade steps before proceeding.

See [“Preparing to upgrade VVR when VCS agents are configured”](#) on page 236.

- 2 Load and mount the disc.

See [“Mounting the product disc”](#) on page 57.

- 3 Verify that an upgrade is possible on the system. Enter the following command:

```
# /dvd_mount/scripts/upgrade_start -check
```

- 4 Run the `upgrade_start` script to preserve the previous configuration of Volume Manager.

```
# /dvd_mount/scripts/upgrade_start
```

- 5 If the `upgrade_start` script fails for any reason, run the `upgrade_finish` script to undo any changes already made. Verify that the system is restored by comparing `/etc/system`, `/etc/vfstab`, and the output of the `format` command. Then determine and correct the cause of the `upgrade_start` failure. If you cannot correct the problem in a timely manner, restore the `vfstab` file to the version saved, restore any other applications, and perform an `init 6` to completely restore the system.

- 6 Verify that all the Primary RLINKs are up-to-date on all the hosts.

```
# vxrlink -g diskgroup status rlink_name
```

---

**Caution:** Do not continue until the Primary RLINKs are up-to-date.

---

- 7 If VVR is configured, run the `vvr_upgrade_start` script on all hosts to save the original VVR configuration:

```
# /dvd_mount/scripts/vvr_upgrade_start
```

- 8 If you have VxFS file systems specified in the `/etc/vfstab` file, comment them out.
- 9 Remove the existing Storage Foundation packages in one of the following ways:
  - using the `uninstallsfha` script
  - using `pkgrm`

For details, refer to the *Storage Foundation Installation Guide* for the existing Storage Foundation version.

After you run the `uninstallsfha` script, verify that all VRTS\* packages are removed; otherwise, remove them manually using `pkgrm`.

- 10 If you are upgrading the operating system, do so now.  
Refer to the Solaris installation documentation.
- 11 Install the Storage Foundation packages in one of the following ways:
  - using the common installer  
See [“To upgrade the Veritas Storage Foundation packages with the product installer”](#) on page 254.
  - using manual steps  
See [“To upgrade the Veritas Storage Foundation packages with manual steps”](#) on page 255.

#### To upgrade the Veritas Storage Foundation packages with the product installer

- 1 Load and mount the disc.  
See [“Mounting the product disc”](#) on page 57.
- 2 To invoke the common installer, run the `installer` command on the disc as shown in this example:
 

```
# cd /dvd_mount
# ./installer
```
- 3 Select **I** to upgrade the product. The installer will ask you if you want to use the previous configuration.
- 4 Depending on your existing configuration, various messages and prompts may appear. Answer the prompts appropriately.

**Upgrading Storage Foundation and High Availability to 6.0.1 using the product installer or manual steps**

- 5 If you commented out VxFS File System entries in the `/etc/vfstab` file, uncomment them.
- 6 Complete the upgrade by restoring the configuration.

**To upgrade the Veritas Storage Foundation packages with manual steps**

- 1 If you are upgrading from Veritas Storage Foundation for DB2 or Veritas Storage Foundation for Oracle, resynchronize all existing snapshots before upgrading.

For Veritas Storage Foundation for DB2:

```
# /opt/VRTS/bin/db2ed_vmsnap -D DB2DATABASE -f SNAPPLAN \  
-o resync
```

For Veritas Storage Foundation for Oracle:

```
# /opt/VRTS/bin/dbed_vmsnap -S $ORACLE_SID -f SNAPPLAN \  
-o resync
```

- 2 Load and mount the software disc.
- 3 Change to the directory containing the packages.
- 4 Run the following command to obtain a list of recommended packages to install:

```
./installsfha -recpkgs
```

Run the following command to obtain a list of all packages to install:

```
./installsfha -allpkgs
```

- 5 Add packages with the `pkgadd` command.
- 6 If you commented out VxFS File System entries in the `/etc/vfstab` file, uncomment them.
- 7 Complete the upgrade by restoring the configuration.

**Restoring the configuration and completing the upgrade**

- 1 Complete the upgrade using the `upgrade_finish` script.

```
# devlinks  
# /dvd_mount/scripts/upgrade_finish
```

- 2 Configure the product using the following command:

```
# /dvd_mount/installer -configure
```

If some Veritas modules fail to unload, perform the following steps:

- Reboot the systems.
- 3 Importing a pre-6.0.1 Veritas Volume Manager disk group does not automatically upgrade the disk group version to the VxVM 6.0.1 level. You may need to manually upgrade each of your disk groups following a VxVM upgrade.

See [“Upgrading VxVM disk group versions”](#) on page 322.

## Upgrading Storage Foundation and High Availability using the Veritas Web-based installer

This section describes upgrading SFHA with the Veritas Web-based installer. The installer detects and upgrades the product that is currently installed on the specified system or systems.

### To upgrade SFHA

- 1 Perform the required steps to save any data that you wish to preserve. For example, make configuration file backups.
- 2 If you are upgrading a high availability (HA) product, take all service groups offline. List all service groups:

```
# /opt/VRTSvcs/bin/hagrp -list
```

For each service group listed, take it offline:

```
# /opt/VRTSvcs/bin/hagrp -offline service_group -any
```

- 3 Start the Web-based installer.  
See [“Starting the Veritas Web-based installer”](#) on page 141.
- 4 Indicate the systems on which to upgrade. Enter one or more system names, separated by spaces. Click **Next**.
- 5 The installer discovers if any of the systems that you are upgrading have mirrored and encapsulated boot disks. For each system that has a mirrored boot disk, you have the option to create a backup of the boot disk group. To create the backup, check the **Split mirrors on all the systems** box. Check the appropriate box to use the same name for the backup disk group on all systems--you can use the default name or choose a new one. Check the systems where you want to create the backup. When you are ready, click the **Next** button.



- 6 Click **Next** to complete the upgrade.

After the upgrade completes, the installer displays the location of the log and summary files. If required, view the files to confirm the installation status.

- 7 If you are prompted to reboot the systems, enter the following reboot command:

```
# /usr/sbin/shutdown -r now
```

- 8 After the upgrade, if the product is not configured, the Web-based installer asks: "Do you want to configure this product?" If the product is already configured, it will not ask any questions.
- 9 If you want to upgrade VCS or SFHA 5.1 on the CP server systems to version Storage Foundation 6.0.1, make sure that you upgraded all application clusters to version Storage Foundation 6.0.1. Then, upgrade VCS or SFHA on the CP server systems. For instructions to upgrade VCS or SFHA, see the VCS or SFHA Installation Guide.
- 10 Only perform this step if you have split the mirrored root disk to back it up. After a successful reboot, verify the upgrade and re-join the backup disk group into the upgraded boot disk group. If the upgrade fails, revert the upgrade boot disk group to the backup disk group.

See ["Re-joining the backup boot disk group into the current disk group"](#) on page 312.

See ["Reverting to the backup boot disk group after an unsuccessful upgrade"](#) on page 312.

If you are upgrading from 4.x, you may need to create new VCS accounts if you used native operating system accounts.

## Upgrading the Solaris operating system

If you are running Storage Foundation and High Availability 6.0.1 with an earlier release of the Solaris operating system, you can upgrade the Solaris operating system using the following procedure.

---

**Warning:** You should only use this procedure to upgrade the Solaris operating system if you are running Storage Foundation and High Availability 6.0.1.

---

The directory `/opt` must exist, be writable, and must not be a symbolic link. This is because the volumes not temporarily converted by the `upgrade_start` are unavailable during the upgrade process. If you have a symbolic link from `/opt` to

one of the unconverted volumes, the symbolic link will not function during the upgrade and items in `/opt` will not be installed.

### To upgrade the Solaris operating system only

- 1 Bring the system down to single-user mode using the following command:

```
# init s
```

You must mount `/opt` manually if `/opt` is on its own partition.

- 2 Load and mount the software disc from the currently installed version of Storage Foundation and High Availability.

See “[Mounting the product disc](#)” on page 57.

- 3 Change directory:

```
# cd /mount_point/scripts
```

- 4 Run the `upgrade_start` with the `-check` argument to detect any problems that exist which could prevent a successful upgrade. Use the `upgrade_start` script that was supplied with the currently installed SF release. If this command reports success, you can proceed with running the `upgrade_start` script, but if it reports errors, correct the problem(s) and rerun `upgrade_start -check`.

```
# ./upgrade_start -check
```

- 5 Run the `upgrade_start` script so that the system can come up with partitions. The `upgrade_start` script searches for volumes containing file systems, and if any are found, converts them to partitions:

```
# ./upgrade_start
```

- 6 Bring the system down to run level 0.

```
# init 0
```

- 7 Upgrade the operating system to a supported version of Solaris.

You should boot up the system from run level 0 depending on the Solaris upgrade procedure that you want to follow. Refer to the Solaris installation documentation for instructions on how to upgrade the Solaris operating system.

- 8 After installing the Solaris operating system, install any Solaris patches required by Storage Foundation and High Availability 6.0.1.

See the *Storage Foundation and High Availability Release Notes*.

- 9 After the system is up with the upgraded Solaris operating system, bring the system down to single-user mode by entering:

```
# init s
```

- 10 Ensure that `/opt` is mounted.
- 11 Load and mount the software disc from the currently installed version of Storage Foundation and High Availability.
- 12 If you upgraded to Solaris 10, you must reinstall certain Storage Foundation and High Availability packages in order to support Solaris 10 functionality.

To reinstall the required packages, follow the steps below:

- Remove the existing packages in the reverse order of their installation. For example, if you chose the installation of all packages then uninstall those in the following order.

For Storage Foundation and High Availability:

```
# pkgrm VRTSvxvm VRTSvxfs VRTSvcs  
VRTSvxfen VRTSgab VRTS11t
```

For Storage Foundation and High Availability:

```
# pkgrm VRTSvxvm VRTSvxfs VRTSvcs  
VRTSvxfen VRTSgab VRTS11t
```

- Run the following commands.  
To obtain a list of recommended packages to install:

```
# ./installsfha -recpkgs
```

Or

To obtain a list of all packages to install:

```
# ./installsfha -allpkgs
```

- Change to the directory containing the appropriate packages.

```
# cd /mount_point/pkg
```

- Use the `pkgadd` command to install the packages from the list you generated.

- Reboot the system.
- 13 Complete the upgrade from the software disc from the currently installed version of Storage Foundation by entering:

```
# devlinks  
# ./upgrade_finish
```

## Upgrading Veritas Volume Replicator

If a previous version of Veritas Volume Replicator (VVR) is configured, the product installer upgrades VVR automatically when you upgrade the Storage Foundation products.

When upgrading from 4.1 MP1 or later, you have the option to upgrade without disrupting replication.

See [“Upgrading VVR without disrupting replication”](#) on page 260.

## Upgrading VVR without disrupting replication

This section describes the upgrade procedure from an earlier version of VVR to the current version of VVR when replication is in progress, assuming that you do not need to upgrade all the hosts in the RDS simultaneously.

You may also need to set up replication between versions.

See [“Planning an upgrade from the previous VVR version”](#) on page 234.

When both the Primary and the Secondary have the previous version of VVR installed, the upgrade can be performed either on the Primary or on the Secondary. We recommend that the Secondary hosts be upgraded before the Primary host in the RDS. This section includes separate sets of steps, for the Primary upgrade and for the Secondary upgrade.

---

**Note:** If you have a cluster setup, you must upgrade all the nodes in the cluster at the same time.

---

### Upgrading VVR on the Secondary

Follow these instructions to upgrade the Secondary hosts.

### To upgrade the Secondary

- 1 Stop replication to the Secondary host by initiating a Primary pause using the following command:

```
# vradmin -g diskgroup pauserep local_rvgname
```

- 2 Upgrade from VVR 5.1 or later to VVR 6.0.1 on the Secondary.
- 3 Do one of the following:
  - Upgrade the disk group now. Enter the following:

```
# vxdg upgrade dname
```

- Upgrade the disk group later.  
If you upgrade the disk group later, be sure to pause replication before you upgrade the disk group.

- 4 Resume the replication from the Primary using the following command:

```
# vradmin -g diskgroup resumerep local_rvgname sec_hostname
```

## Upgrading VVR on the Primary

After you upgrade the Secondary, use the Veritas product installer to upgrade the Primary.

### To upgrade the Primary

- 1 Stop replication to the Primary host by initiating a Primary pause using the following command:

```
# vradmin -g diskgroup pauserep local_rvgname
```

- 2 Upgrade from VVR 5.1 or later to VVR 6.0.1 on the Secondary.
- 3 Do one of the following:
  - Upgrade the disk group now. Enter the following:

```
# vxdg upgrade dname
```

- Upgrade the disk group later.

If you upgrade the disk group later, be sure to pause replication before you upgrade the disk group.

- 4 Resume the replication from the Primary using the following command:

```
# vradmin -g diskgroup resumerep local_rvgname  
          sec_hostname
```

See [“Planning an upgrade from the previous VVR version”](#) on page 234.

## Upgrading language packages

If you are upgrading Veritas products in a language other than English, you must install the required language packages after installing the English packages. Verify that the English installation is correct before proceeding.

Install the language packages as for an initial installation.

See [“Installing language packages”](#) on page 66.

# Performing a rolling upgrade of SFHA

This chapter includes the following topics:

- [About rolling upgrades](#)
- [Supported rolling upgrade paths](#)
- [Performing a rolling upgrade using the script-based installer](#)
- [Performing a rolling upgrade of SFHA using the Web-based installer](#)

## About rolling upgrades

The rolling upgrade minimizes downtime for highly available clusters to the amount of time that it takes to perform a service group failover. The rolling upgrade has two main phases where the installer upgrades kernel packages in phase 1 and VCS agent packages in phase 2.

---

**Note:** You need to perform a rolling upgrade on a completely configured cluster.

---

The following is an overview of the flow for a rolling upgrade:

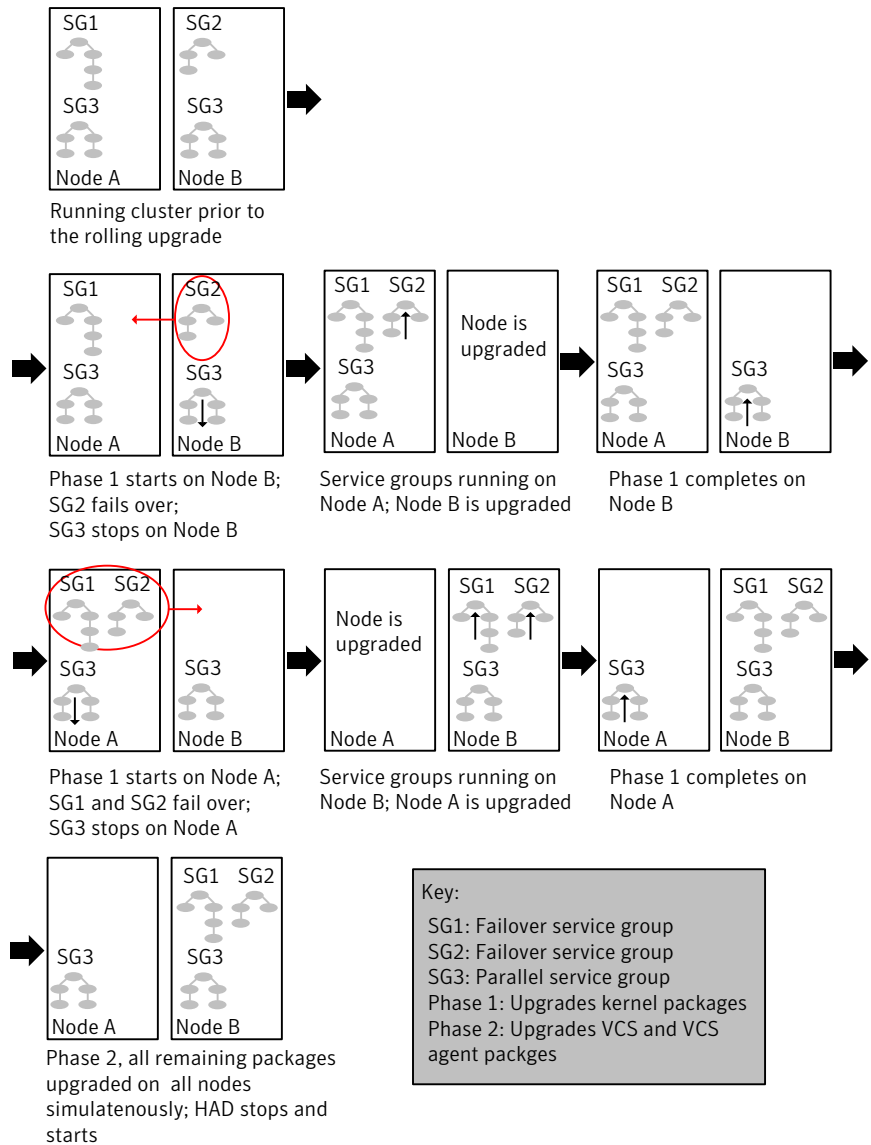
1. The installer performs prechecks on the cluster.
2. Application downtime occurs during the first phase as the installer moves service groups to free nodes for the upgrade. The only downtime that is incurred is the normal time required for the service group to fail over. The downtime is limited to the applications that are failed over and not the entire cluster.

3. The installer performs the second phase of the upgrade on all of the nodes in the cluster. The second phase of the upgrade includes downtime of the Veritas Cluster Server (VCS) engine HAD, but does not include application downtime.

[Figure 19-1](#) illustrates an example of the installer performing a rolling upgrade for three service groups on a two node cluster.



**Figure 19-1** Example of the installer performing a rolling upgrade



The following limitations apply to rolling upgrades:

- Rolling upgrades are not compatible with phased upgrades. Do not mix rolling upgrades and phased upgrades.
- You can perform a rolling upgrade from 5.1 and later versions.

## Supported rolling upgrade paths

You can perform a rolling upgrade of SFHA with the script-based installer, the Web-based installer, or manually.

The rolling upgrade procedures support both major and minor operating system upgrades.

[Table 19-1](#) shows the versions of SFHA for which you can perform a rolling upgrade to Storage Foundation 6.0.1.

**Table 19-1** Supported rolling upgrade paths

| Platform         | SFHA version   |
|------------------|--|
| Solaris 10 SPARC | 5.1, 5.1RPs<br>5.1SP1, 5.1SP1RPs, 5.1SP1PR3<br>6.0, 6.0RP1 |
| Solaris 11 SPARC | 6.0PR1   |
| Solaris 10 x64   | 5.1, 5.1RPs<br>5.1SP1, 5.1SP1RPs, 5.1SP1PR3<br>6.0, 6.0RP1 |
| Solaris 11 x64   | 6.0PR1   |

**Note:** Before performing a rolling upgrade from version 5.1SP1RP3 to version 6.0.1, install patch VRTSvxfen-5.1SP1RP3P2. For downloading the patch, search VRTSvxfen-5.1SP1RP3P2 in [Patch Lookup](#) on the [SORT](#) website.

## Performing a rolling upgrade using the script-based installer

Before you start the rolling upgrade, make sure that Veritas Cluster Server (VCS) is running.

### To perform a rolling upgrade

- 1 Complete the preparatory steps on the first sub-cluster.
- 2 Log in as superuser and mount the SFHA 6.0.1 installation media.

- 3 From root, start the installer.

```
# ./installer
```

- 4 From the menu, select `Upgrade` and from the sub menu, select `Rolling Upgrade`.
- 5 The installer suggests system names for the upgrade. Enter `Yes` to upgrade the suggested systems, or enter `No`, and then enter the name of any one system in the cluster on which you want to perform a rolling upgrade.
- 6 The installer checks system communications, release compatibility, version information, and lists the cluster name, ID, and cluster nodes. Type `y` to continue.
- 7 The installer inventories the running service groups and determines the node or nodes to upgrade in phase 1 of the rolling upgrade. Type `y` to continue. If you choose to specify the nodes, type `n` and enter the names of the nodes.
- 8 The installer performs further prechecks on the nodes in the cluster and may present warnings. You can type `y` to continue or quit the installer and address the precheck's warnings.
- 9 Review the end-user license agreement, and type `y` if you agree to its terms.
- 10 After the installer shows the package list, it detects if there are online failover service groups on the nodes to be upgraded. If there are online failover service groups, the installer prompts you to do one of the following:
  - Manually switch service groups
  - Use the CPI to automatically switch service groups

The downtime is the time that it normally takes for the service group's failover.
- 11 The installer prompts you to stop the applicable processes. Type `y` to continue. The installer evacuates all service groups to the node or nodes that are not upgraded at this time. The installer stops parallel service groups on the nodes that are to be upgraded.
- 12 The installer stops relevant processes, uninstalls old kernel packages, and installs the new packages. When prompted, enable replication or global cluster capabilities, if required, and register the software. The installer performs the upgrade configuration and re-starts processes. If some processes fail to start, you may need to reboot the nodes and manually check the cluster's status.
- 13 Complete the preparatory steps on the nodes that you have not yet upgraded.

- 14 The installer begins phase 1 of the upgrade on the remaining node or nodes. Type **y** to continue the rolling upgrade.

If the installer prompts to reboot nodes, reboot the nodes.

Restart the installer.

The installer repeats step 7 through step 12.

For clusters with larger number of nodes, this process may repeat several times. Service groups come down and are brought up to accommodate the upgrade.

- 15 When phase 1 of the rolling upgrade completes, begin phase 2 of the upgrade. Phase 2 of the upgrade includes downtime for the VCS engine (HAD), which does not include application downtime. Type **y** to continue.

- 16 The installer determines the remaining packages to upgrade. Press **Enter** to continue.

- 17 The installer stops Veritas Cluster Server (VCS) processes but the applications continue to run. Type **y** to continue.

The installer performs prechecks, uninstalls old packages, and installs the new packages. It performs post-installation tasks, and the configuration for the upgrade.

- 18 Type **y** or **n** to help Symantec improve the automated installation.

- 19 If you have network connection to the Internet, the installer checks for updates.

If updates are discovered, you can apply them now.

- 20 A prompt message appears to ask if the user would like to read the summary file. You can choose **y** if you want to read the install summary file.

- 21 To upgrade VCS or Storage Foundation High Availability (SFHA) on the Coordination Point (CP) server systems to version 6.0.1, upgrade VCS or SFHA on the CP server systems. You then upgrade all the application clusters to 6.0.1.

For instructions to upgrade VCS or SFHA on the CP server systems, refer to the appropriate installation guide.

## Performing a rolling upgrade of SFHA using the Web-based installer

This section describes using the Veritas Web-based installer to perform a rolling upgrade. The installer detects and upgrades the product that is currently installed

on the specified system or systems. If you want to upgrade to a different product, you may need to perform additional steps.

See [“About rolling upgrades”](#) on page 263.

#### To start the rolling upgrade—phase 1

- 1 Perform the required steps to save any data that you wish to preserve. For example, take back-ups of configuration files.
- 2 Start the Web-based installer.  
See [“Starting the Veritas Web-based installer”](#) on page 141.
- 3 In the Task pull-down menu, select `Rolling Upgrade`.  
Click the **Next** button to proceed.
- 4 Enter the name of any one system in the cluster on which you want to perform a rolling upgrade. The installer identifies the cluster information of the system and displays the information.  
Click **Yes** to confirm the cluster information. The installer now displays the nodes in the cluster that will be upgraded during phase 1 of the upgrade.
- 5 Review the systems that the installer has chosen for phase 1 of the rolling upgrade. These systems are chosen to minimize downtime during the upgrade.  
Click **Yes** to proceed.  
The installer validates systems. If it throws an error, address the error and return to the installer.
- 6 Review the End User License Agreement (EULA). To continue, select **Yes, I agree** and click **Next**.
- 7 If you have online failover service groups, the installer prompts you to choose to switch these service groups either manually or automatically. Choose any option and follow the steps to switch all the failover service groups to the other subcluster.
- 8 The installer stops all processes. Click **Next** to proceed.  
The installer removes old software and upgrades the software on the systems that you selected.
- 9 If you want to enable volume or file replication or global cluster capabilities, select from the following options:
  - Veritas Volume Replicator
  - Veritas File Replicator
  - Global Cluster Option

Click **Register** to register the software. Click the **Next** button.

The installer starts all the relevant processes and brings all the service groups online.

- 10 When prompted by the installer, reboot the nodes on the first half of the cluster. Restart the installer.
- 11 Repeat step 5 through step 10 until the kernel packages of all the nodes are upgraded. For clusters with larger number of nodes, this process may get repeated several times. Service groups come down and are brought up to accommodate the upgrade.
- 12 When prompted, start phase 2. Click **Yes** to continue with the rolling upgrade.

#### To upgrade the non-kernel components—phase 2

- 1 The installer detects the information of cluster and the state of rolling upgrade. The installer validates systems. Click **Next**. If it throws an error, address the error and return to the installer.
- 2 Review the End User License Agreement (EULA). To continue, select **Yes, I agree** and click **Next**.
- 3 The installer stops the `HAD` and `CmdServer` processes in phase 2 of the rolling upgrade process. Click **Next** to proceed.
- 4 The installer removes old software and upgrades the software on the systems that you selected. Review the output and click the **Next** button when prompted. Register the software and click **Next** to proceed. The installer starts all the relevant processes and brings all the service groups online.
- 5 If you have network connection to the Internet, the installer checks for updates. If updates are discovered, you can apply them now.
- 6 A prompt message appears to ask if the user would like to read the summary file. You can choose **y** if you want to read the install summary file.

The upgrade is complete.

# Performing a phased upgrade of SFHA

This chapter includes the following topics:

- [About phased upgrade](#)
- [Performing a phased upgrade](#)

## About phased upgrade

Perform a phased upgrade to minimize the downtime for the cluster. Depending on the situation, you can calculate the approximate downtime as follows:

Table 20-1

| Fail over condition  | Downtime  |
|--|---|
| You can fail over all your service groups to the nodes that are up.                    | Downtime equals the time that is taken to offline and online the service groups.                          |
| You have a service group that you cannot fail over to a node that runs during upgrade. | Downtime for that service group equals the time that is taken to perform an upgrade and restart the node. |

## Prerequisites for a phased upgrade

Before you start the upgrade, confirm that you have licenses for all the nodes that you plan to upgrade.

## Planning for a phased upgrade

Plan out the movement of the service groups from node-to-node to minimize the downtime for any particular service group.

Some rough guidelines follow:

- Split the cluster into two sub-clusters of equal or near equal size.
- Split the cluster so that your high priority service groups remain online during the upgrade of the first subcluster.
- Before you start the upgrade, back up the VCS configuration files `main.cf` and `types.cf` which are in the directory `/etc/VRTSvcs/conf/config/`.

## Phased upgrade limitations

The following limitations primarily describe not to tamper with configurations or service groups during the phased upgrade:

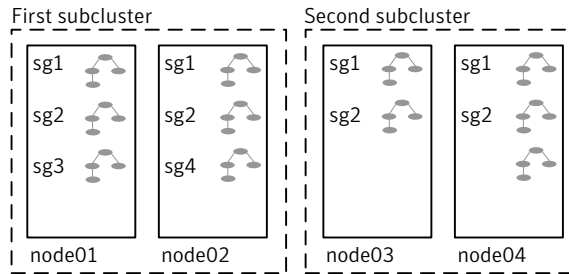
- While you perform the upgrades, do not start any modules.
- When you start the installer, only select SFHA.
- While you perform the upgrades, do not add or remove service groups to any of the nodes.
- After you upgrade the first half of your cluster (the first subcluster), you need to set up password-less SSH or RSH. Create the connection between an upgraded node in the first subcluster and a node from the other subcluster. The node from the other subcluster is where you plan to run the installer and also plan to upgrade.
- Depending on your configuration, you may find that you cannot upgrade multiple nodes at the same time. You may only be able to upgrade one node at a time.
- For very large clusters, you might have to repeat these steps multiple times to upgrade your cluster.

## Phased upgrade example

In this example, you have a secure cluster that you have configured to run on four nodes: `node01`, `node02`, `node03`, and `node04`. You also have four service groups: `sg1`, `sg2`, `sg3`, and `sg4`. For the purposes of this example, the cluster is split into two subclusters. The nodes `node01` and `node02` are in the first subcluster, which you first upgrade. The nodes `node03` and `node04` are in the second subcluster, which you upgrade last.



**Figure 20-1** Example of phased upgrade set up



Each service group is running on the nodes as follows:

- sg1 and sg2 are parallel service groups and run on all the nodes.
- sg3 and sg4 are failover service groups. sg3 runs on node01 and sg4 runs on node02.

In your system list, you have each service group that fails over to other nodes as follows:

- sg1 and sg2 are running on all the nodes.
- sg3 and sg4 can fail over to any of the nodes in the cluster.

## Phased upgrade example overview

This example's upgrade path follows:

- Move all the failover service groups from the first subcluster to the second subcluster.
- Take all the parallel service groups offline on the first subcluster.
- Upgrade the operating system on the first subcluster's nodes, if required.
- On the first subcluster, start the upgrade using the installation program.
- Get the second subcluster ready.
- Activate the first subcluster.
- Upgrade the operating system on the second subcluster's nodes, if required.
- On the second subcluster, start the upgrade using the installation program.
- Activate the second subcluster.

See [“Performing a phased upgrade”](#) on page 274.

## Performing a phased upgrade

This section explains how to perform a phased upgrade of SFHA on four nodes with four service groups. Note that in this scenario, VCS and the service groups cannot stay online on the second subcluster during the upgrade of the second subcluster. Do not add, remove, or change resources or service groups on any nodes during the upgrade. These changes are likely to get lost after the upgrade.

An example of a phased upgrade follows. It illustrates the steps to perform a phased upgrade. The example makes use of a secure SFHA cluster.

You can perform a phased upgrade from SFHA 5.1 or other supported previous versions to SFHA 6.0.1.

See [“About phased upgrade”](#) on page 271.

See [“Phased upgrade example”](#) on page 272.

## Moving the service groups to the second subcluster

Perform the following steps to establish the service group's status and to switch the service groups.

**To move service groups to the second subcluster**

- 1 On the first subcluster, determine where the service groups are online.

```
# hagr -state
```

The output resembles:

```
#Group   Attribute System Value
sg1      State     node01 | ONLINE |
sg1      State     node02 | ONLINE |
sg1      State     node03 | ONLINE |
sg1      State     node04 | ONLINE |
sg2      State     node01 | ONLINE |
sg2      State     node02 | ONLINE |
sg2      State     node03 | ONLINE |
sg2      State     node04 | ONLINE |
sg3      State     node01 | ONLINE |
sg3      State     node02 | OFFLINE |
sg3      State     node03 | OFFLINE |
sg3      State     node04 | OFFLINE |
sg4      State     node01 | OFFLINE |
sg4      State     node02 | ONLINE |
sg4      State     node03 | OFFLINE |
sg4      State     node04 | OFFLINE |
```

- 2 Offline the parallel service groups (sg1 and sg2) from the first subcluster. Switch the failover service groups (sg3 and sg4) from the first subcluster (node01 and node02) to the nodes on the second subcluster (node03 and node04).

```
# hagr -offline sg1 -sys node01
# hagr -offline sg2 -sys node01
# hagr -offline sg1 -sys node02
# hagr -offline sg2 -sys node02
# hagr -switch sg3 -to node03
# hagr -switch sg4 -to node04
```

- 3 On the nodes in the first subcluster, unmount all the VxFS file systems that VCS does not manage, for example:

```

# df -k

Filesystem            kbytes    used  avail capacity  Mounted on
/dev/dsk/c1t0d0s0    66440242 10114415 55661425   16% /
/devices              0          0        0      0% /devices
ctfs                  0          0        0      0% /system/contract
proc                  0          0        0      0% /proc
mnttab                0          0        0      0% /etc/mnttab
swap                  5287408   1400 5286008    1% /etc/svc/volatile
objfs                 0          0        0      0% /system/object
sharefs               0          0        0      0% /etc/dfs/sharetab
/platform/sun4u-us3/lib/libc_psr/libc_psr_hwcap1.so.1
66440242 10114415 55661425   16% /platform/sun4u-us3/lib/
libc_psr.so.1
/platform/sun4u-us3/lib/sparcv9/libc_psr/libc_psr_hwcap1.so.1
66440242 10114415 55661425   16% /platform/sun4u-us3/lib/
sparcv9/libc_psr.so.1
fd                    0          0        0      0% /dev/fd
swap                  5286064    56 5286008    1% /tmp
swap                  5286056    48 5286008    1% /var/run
swap                  5286008     0 5286008    0% /dev/vx/dmp
swap                  5286008     0 5286008    0% /dev/vx/rdmp
3.0G  18M  2.8G   1% /mnt/dg2/dg2vol1
/dev/vx/dsk/dg2/dg2vol2
1.0G  18M  944M   2% /mnt/dg2/dg2vol2
/dev/vx/dsk/dg2/dg2vol3
10G   20M  9.4G   1% /mnt/dg2/dg2vol3

# umount /mnt/dg2/dg2vol1
# umount /mnt/dg2/dg2vol2
# umount /mnt/dg2/dg2vol3
    
```

- 4 On the nodes in the first subcluster, stop all VxVM volumes (for each disk group) that VCS does not manage.
- 5 Make the configuration writable on the first subcluster.

```
# haconf -makerw
```

6 Freeze the nodes in the first subcluster.

```
# hasys -freeze -persistent node01
# hasys -freeze -persistent node02
```

7 Dump the configuration and make it read-only.

```
# haconf -dump -makero
```

8 Verify that the service groups are offline on the first subcluster that you want to upgrade.

```
# hagrps -state
```

Output resembles:

```
#Group Attribute System Value
sg1 State node01 |OFFLINE|
sg1 State node02 |OFFLINE|
sg1 State node03 |ONLINE|
sg1 State node04 |ONLINE|
sg2 State node01 |OFFLINE|
sg2 State node02 |OFFLINE|
sg2 State node03 |ONLINE|
sg2 State node04 |ONLINE|
sg3 State node01 |OFFLINE|
sg3 State node02 |OFFLINE|
sg3 State node03 |ONLINE|
sg3 State node04 |OFFLINE|
sg4 State node01 |OFFLINE|
sg4 State node02 |OFFLINE|
sg4 State node03 |OFFLINE|
sg4 State node04 |ONLINE|
```

9 Perform this step on the nodes (node01 and node02) in the first subcluster if the cluster uses I/O Fencing. Use an editor of your choice and change the following:

- In the `/etc/vxfenmode` file, change the value of the `vxfen_mode` variable from `scsi3` to `disabled`. Ensure that the line in the `vxfenmode` file resembles:

```
vxfen_mode=disabled
```

- In the `/etc/VRTSvcs/conf/config/main.cf` file, change the value of the `UseFence` attribute from `SCSI3` to `NONE`. Ensure that the line in the `main.cf` file resembles:

```
UseFence = NONE
```

- 10 Back up the `llttab`, `llthosts`, `gabtab`, `types.cf`, `main.cf` and AT configuration files on the first subcluster.

```
# cp /etc/llttab /etc/llttab.bkp
# cp /etc/llthosts /etc/llthosts.bkp
# cp /etc/gabtab /etc/gabtab.bkp
# cp /etc/VRTSvcs/conf/config/main.cf \
    /etc/VRTSvcs/conf/config/main.cf.bkp
# cp /etc/VRTSvcs/conf/config/types.cf \
    /etc/VRTSvcs/conf/config/types.cf.bkp
# /opt/VRTSat/bin/vssat showbackuplist
B|/var/VRTSat/.VRTSat/profile/VRTSatlocal.conf
B|/var/VRTSat/.VRTSat/profile/certstore
B|/var/VRTSat/ABAuthSource
B|/etc/vx/vss/VRTSat.conf
Quiescing ...
Snapshot Directory :/var/VRTSatSnapshot
```

## Upgrading the operating system on the first subcluster

You can perform the operating system upgrade on the first subcluster, if required.

Before performing operating system upgrade, it is better to prevent LLT from starting automatically when the node starts. For example, you can do the following:

```
# mv /etc/llttab /etc/llttab.save
```

or you can change the `/etc/sysconfig/llt` file by setting `LLT_START = 0`.

After you finish upgrading the OS, remember to change the LLT configuration to its original configuration.

Refer to the operating system's documentation for more information.

## Upgrading the first subcluster

You now navigate to the installer program and start it.

**To start the installer for the phased upgrade**

- 1 Confirm that you are logged on as the superuser and you mounted the product disc.

- 2 Navigate to the folder that contains `installsfha`.

```
# cd storage_foundation_high_availability
```

- 3 Make sure that you can ssh or rsh from the node where you launched the installer to the nodes in the second subcluster without requests for a password.
- 4 Start the `installsfha` program, specify the nodes in the first subcluster (`node1` and `node2`).

```
# ./installsfha<version> -upgrade node1 node2
```

Where `<version>` is the specific release version.

See [“About the Veritas installer”](#) on page 40.

The program starts with a copyright message and specifies the directory where it creates the logs. It performs a system verification and outputs upgrade information.

- 5 Enter **y** to agree to the End User License Agreement (EULA).

```
Do you agree with the terms of the End User License Agreement
as specified in the storage_foundation_high_availability/
EULA/lang/EULA_SFHA_Lx_<version>.pdf
file present on media? [y,n,q,?] y
```

- 6 The installer displays the list of packages that get removed, installed, and upgraded on the selected systems.
- 7 When you are prompted, reply **y** to stop appropriate processes.

```
Do you want to stop SFHA processes now? [y,n,q] (y)
```

The installer stops processes, uninstalls packages, and installs packages.

The upgrade is finished on the first subcluster. Do not reboot the nodes in the first subcluster until you complete the [Preparing the second subcluster](#) procedure.

## Preparing the second subcluster

Perform the following steps on the second subcluster before rebooting nodes in the first subcluster.

**To prepare to upgrade the second subcluster**

**1 Get the summary of the status of your resources.**

```
# hastatus -sum
-- SYSTEM STATE
-- System                State                Frozen

A  node01                EXITED                1
A  node02                EXITED                1
A  node03                RUNNING              0
A  node04                RUNNING              0

-- GROUP STATE
-- Group                System  Probed    AutoDisabled  State

B  SG1                node01  Y         N              OFFLINE
B  SG1                node02  Y         N              OFFLINE
B  SG1                node03  Y         N              ONLINE
B  SG1                node04  Y         N              ONLINE
B  SG2                node01  Y         N              OFFLINE
B  SG2                node02  Y         N              OFFLINE
B  SG2                node03  Y         N              ONLINE
B  SG2                node04  Y         N              ONLINE
B  SG3                node01  Y         N              OFFLINE
B  SG3                node02  Y         N              OFFLINE
B  SG3                node03  Y         N              ONLINE
B  SG3                node04  Y         N              OFFLINE
B  SG4                node01  Y         N              OFFLINE
B  SG4                node02  Y         N              OFFLINE
B  SG4                node03  Y         N              OFFLINE
B  SG4                node04  Y         N              ONLINE
```



## 2 Unmount all the VxFS file systems that VCS does not manage, for example:

```
# df -k

Filesystem                kbytes    used  avail capacity  Mounted on
/dev/dsk/clt0d0s0        66440242 10114415 55661425    16%    /
/devices                  0          0      0         0%    /devices
ctfs                      0          0      0         0%    /system/contract
proc                     0          0      0         0%    /proc
mnttab                    0          0      0         0%    /etc/mnttab
swap                     5287408    1400 5286008     1%    /etc/svc/volatile
objfs                     0          0      0         0%    /system/object
sharefs                   0          0      0         0%    /etc/dfs/sharetab
/platform/sun4u-us3/lib/libc_psr/libc_psr_hwcap1.so.1
                        66440242 10114415 55661425    16%    /platform/sun4u-us3/
lib/libc_psr.so.1
/platform/sun4u-us3/lib/sparcv9/libc_psr/libc_psr_hwcap1.so.1
                        66440242 10114415 55661425    16%    /platform/sun4u-us3/
lib/sparcv9/libc_psr.so.1
fd                          0          0      0         0%    /dev/fd
swap                      5286064     56 5286008     1%    /tmp
swap                      5286056     48 5286008     1%    /var/run
swap                      5286008      0 5286008     0%    /dev/vx/dmp
swap                      5286008      0 5286008     0%    /dev/vx/rdmp
                        3.0G    18M   2.8G     1% /mnt/dg2/dg2vol1
/dev/vx/dsk/dg2/dg2vol2
                        1.0G    18M   944M     2% /mnt/dg2/dg2vol2
/dev/vx/dsk/dg2/dg2vol3
                        10G    20M   9.4G     1% /mnt/dg2/dg2vol3

# umount /mnt/dg2/dg2vol1
# umount /mnt/dg2/dg2vol2
# umount /mnt/dg2/dg2vol3
```

## 3 Make the configuration writable on the second subcluster.

```
# haconf -makerw
```

## 4 Unfreeze the service groups.

```
# hagrps -unfreeze sg1 -persistent
# hagrps -unfreeze sg2 -persistent
# hagrps -unfreeze sg3 -persistent
# hagrps -unfreeze sg4 -persistent
```

- 5 Dump the configuration and make it read-only.

```
# haconf -dump -makero
```

- 6 Take the service groups offline on node03 and node04.

```
# hagrps -offline sg1 -sys node03
# hagrps -offline sg1 -sys node04
# hagrps -offline sg2 -sys node03
# hagrps -offline sg2 -sys node04
# hagrps -offline sg3 -sys node03
# hagrps -offline sg4 -sys node04
```

- 7 Verify the state of the service groups.

```
# hagrps -state
#Group      Attribute  System  Value
SG1         State     node01  |OFFLINE|
SG1         State     node02  |OFFLINE|
SG1         State     node03  |OFFLINE|
SG1         State     node04  |OFFLINE|
SG2         State     node01  |OFFLINE|
SG2         State     node02  |OFFLINE|
SG2         State     node03  |OFFLINE|
SG2         State     node04  |OFFLINE|
SG3         State     node01  |OFFLINE|
SG3         State     node02  |OFFLINE|
SG3         State     node03  |OFFLINE|
SG3         State     node04  |OFFLINE|
```

- 8 Perform this step on node03 and node04 if the cluster uses I/O Fencing. Use an editor of your choice and change the following:

- In the `/etc/vxfenmode` file, change the value of the `vxfen_mode` variable from `scsi3` to `disabled`. Ensure that the line in the `vxfenmode` file resembles:

```
vxfen_mode=disabled
```

- In the `/etc/VRTSvcs/conf/config/main.cf` file, change the value of the `UseFence` attribute from `SCSI3` to `NONE`. Ensure that the line in the `main.cf` file resembles:

```
UseFence = NONE
```

9 Stop all VxVM volumes (for each disk group) that VCS does not manage.

10 Stop VCS, I/O Fencing, GAB, and LLT on node03 and node04.

■ Solaris 9:

```
# /opt/VRTSvcs/bin/hastop -local
# /etc/init.d/vxfen stop
# /etc/init.d/gab stop
# /etc/init.d/llt stop
```

■ Solaris 10:

```
# /opt/VRTSvcs/bin/hastop -local
# svcadm disable -t /system/vxfen
# svcadm disable -t /system/gab
# svcadm disable -t /system/llt
```

11 Make sure that the VXFEN, GAB, and LLT modules on node03 and node04 are not loaded.

■ Solaris 9:

```
# /etc/init.d/vxfen status
VXFEN module is not loaded
```

```
# /etc/init.d/gab status
GAB module is not loaded
```

```
# /etc/init.d/llt status
LLT module is not loaded
```

■ Solaris 10:

```
# /lib/svc/method/vxfen status
VXFEN module is not loaded
```

```
# /lib/svc/method/gab status
GAB module is not loaded
```

```
# /lib/svc/method/llt status
LLT module is not loaded
```

## Activating the first subcluster

Get the first subcluster ready for the service groups.

### To activate the first subcluster

- 1 Perform this step on node01 and node02 if the cluster uses I/O Fencing. Use an editor of your choice and revert the following to an enabled state before you reboot the first subcluster's nodes:

- In the `/etc/VRTSvcs/conf/config/main.cf` file, change the value of the `UseFence` attribute from `NONE` to `SCSI3`. Ensure that the line in the `main.cf` file resembles:

```
UseFence = SCSI3
```

- In the `/etc/vxfenmode` file, change the value of the `vxfen_mode` variable from `disabled` to `scsi3`. Ensure that the line in the `vxfenmode` file resembles:

```
vxfen_mode=scsi3
```

- 2 Reboot the node01 and node02 in the first subcluster.

```
# /usr/sbin/shutdown -y -i6 -g0
```

- 3 Seed node01 and node02 in the first subcluster.

```
# gabconfig -x
```

- 4 For nodes that use Solaris 10, start VCS in first half of the cluster:

```
# svcadm enable system/vcs
```

- 5 Start VCS on node01 and node02. On each node run:

```
# hastart
```

- 6 Make the configuration writable on the first subcluster.

```
# haconf -makerw
```

- 7 Unfreeze the nodes in the first subcluster.

```
# hasys -unfreeze -persistent node01
```

```
# hasys -unfreeze -persistent node02
```

- 8 Dump the configuration and make it read-only.

```
# haconf -dump -makero
```

- 9 Bring the service groups online on node01 and node02.

```
# hagrps -online sg1 -sys node01
# hagrps -online sg1 -sys node02
# hagrps -online sg2 -sys node01
# hagrps -online sg2 -sys node02
# hagrps -online sg3 -sys node01
# hagrps -online sg4 -sys node02
```

## Upgrading the operating system on the second subcluster

You can perform the operating system upgrade on the second subcluster, if required. Refer to the operating system's documentation for more information.

Before you perform the operating system upgrade, make sure to disable VCS, VXFEN, GAB, and LLT.

### To disable VCS, VXFEN, GAB, and LLT

- 1 On the second subcluster, disable VCS so that it does not start after reboot. Edit the `vcs` file in `/etc/default`. Open the `vcs` file in an editor, and change the line that reads `VCS_START=1` to `VCS_START=0`. Save and close the file.
- 2 On the second subcluster, disable VXFEN so that it does not start after reboot. Edit the `vxfen` file in `/etc/default`. Open the `vxfen` file in an editor, and change the line that reads `VXFEN_START=1` to `VXFEN_START=0`. Save and close the file.
- 3 On the second subcluster, disable GAB so that it does not start after reboot. Edit the `gab` file in `/etc/default`. Open the `gab` file in an editor, and change the line that reads `GAB_START=1` to `GAB_START=0`. Save and close the file.
- 4 On the second subcluster, disable LLT so that it does not start after reboot. Edit the `llt` file in `/etc/default`. Open the `llt` file in an editor, and change the line that reads `LLT_START=1` to `LLT_START=0`. Save and close the file.
- 5 For a cluster that uses secure mode, create a password-less SSH connection. The connection is from the node where you plan to run the installer to one of the nodes that you have already upgraded.

## Upgrading the second subcluster

Perform the following procedure to upgrade the second subcluster (node03 and node04).

### To start the installer to upgrade the second subcluster

- 1 Confirm that you are logged on as the superuser and you mounted the product disc.

- 2 Navigate to the folder that contains `installsfha`.

```
# cd storage_foundation_high_availability
```

- 3 Confirm that SFHA is stopped on node03 and node04. Start the `installsfha` program, specify the nodes in the second subcluster (node3 and node4).

```
# ./installsfha -upgrade node3 node4
```

The program starts with a copyright message and specifies the directory where it creates the logs.

- 4 The installer displays the list of packages that get removed, installed, and upgraded on the selected systems.

- 5 When you are prompted, reply **y** to stop appropriate processes.

```
Do you want to stop SFHA processes now? [y,n,q] (y)
```

The installer stops processes, uninstalls packages, and installs packages.

- 6 Enter **y** to agree to the End User License Agreement (EULA).

```
Do you agree with the terms of the End User License Agreement  
as specified in the storage_foundation_high_availability/  
EULA/lang/EULA_SFHA_Lx_<version>.pdf  
file present on media? [y,n,q,?] y
```

- 7 Monitor the installer program answering questions as appropriate until the upgrade completes.

## Finishing the phased upgrade

Complete the following procedure to complete the upgrade.

## To finish the upgrade

- 1 Verify that the cluster UUID is the same on the nodes in the second subcluster and the first subcluster. Run the following command to display the cluster UUID:

```
# /opt/VRTSvcs/bin/uuidconfig.pl
-clus -display node1 [node2 ...]
```

If the cluster UUID differs, manually copy the cluster UUID from a node in the first subcluster to the nodes in the second subcluster. For example:

```
# /opt/VRTSvcs/bin/uuidconfig.pl [-rsh] -clus
-copy -from_sys node01 -to_sys node03 node04
```

- 2 Perform this step on node03 and node04 if the cluster uses I/O Fencing. Use an editor of your choice and revert the following to an enabled state before you reboot the second subcluster's nodes:

- In the `/etc/vxfenmode` file, change the value of the `vxfen_mode` variable from disabled to `scsi3`. Ensure that the line in the `vxfenmode` file resembles:

```
vxfen_mode=scsi3
```

- 3 Reboot the node03 and node04 in the second subcluster.

```
# /usr/sbin/shutdown -y -i6 -g0
```

The nodes in the second subcluster join the nodes in the first subcluster.

- 4 For nodes that use Solaris 10, start VCS in first half of the cluster:

```
# svcadm enable system/vcs
```

- 5 Check to see if SFHA and High Availability and its components are up.

```
# gabconfig -a
```

```
GAB Port Memberships
```

```
=====
Port a gen  nxxxxnn membership 0123
Port b gen  nxxxxnn membership 0123
Port h gen  nxxxxnn membership 0123
```

## 6 Run an `hastatus -sum` command to determine the status of the nodes, service groups, and cluster.

```
# hastatus -sum

-- SYSTEM STATE
-- System          State          Frozen

A node01          RUNNING       0
A node02          RUNNING       0
A node03          RUNNING       0
A node04          RUNNING       0

-- GROUP STATE
-- Group           System        Probed    AutoDisabled  State
B sg1             node01       Y         N              ONLINE
B sg1             node02       Y         N              ONLINE
B sg1             node03       Y         N              ONLINE
B sg1             node04       Y         N              ONLINE
B sg2             node01       Y         N              ONLINE
B sg2             node02       Y         N              ONLINE
B sg2             node03       Y         N              ONLINE
B sg2             node04       Y         N              ONLINE
B sg3             node01       Y         N              ONLINE
B sg3             node02       Y         N              OFFLINE
B sg3             node03       Y         N              OFFLINE
B sg3             node04       Y         N              OFFLINE
B sg4             node01       Y         N              OFFLINE
B sg4             node02       Y         N              ONLINE
B sg4             node03       Y         N              OFFLINE
B sg4             node04       Y         N              OFFLINE
```

## 7 After the upgrade is complete, start the VxVM volumes (for each disk group) and mount the VxFS file systems.

In this example, you have performed a phased upgrade of SFHA. The service groups were down when you took them offline on node03 and node04, to the time SFHA brought them online on node01 or node02.



---

**Note:** If you want to upgrade Coordination Point (CP) server systems that use Veritas Cluster Server (VCS) or Storage Foundation High Availability (SFHA) to 6.0.1, make sure that you upgraded all application clusters to version 6.0.1. Then, upgrade VCS or SFHA on the CP server systems. For instructions to upgrade VCS or SFHA, see the VCS or SFHA Installation Guide.

---

# Performing an automated SFHA upgrade using response files

This chapter includes the following topics:

- [Upgrading SFHA using response files](#)
- [Response file variables to upgrade Storage Foundation and High Availability](#)
- [Sample response file for SFHA upgrade](#)

## Upgrading SFHA using response files

Typically, you can use the response file that the installer generates after you perform SFHA upgrade on one system to upgrade SFHA on other systems. You can also create a response file using the `makeresponsefile` option of the installer.

### To perform automated SFHA upgrade

- 1 Make sure the systems where you want to upgrade SFHA meet the upgrade requirements.
- 2 Make sure the pre-upgrade tasks are completed.
- 3 Copy the response file to one of the systems where you want to upgrade SFHA.
- 4 Edit the values of the response file variables as necessary.

- 5 Mount the product disc and navigate to the folder that contains the installation program.
- 6 Start the upgrade from the system to which you copied the response file. For example:

```
# ./installer -responsefile /tmp/response_file
# ./installsfha -responsefile /tmp/response_file
```

Where /tmp/response\_file is the response file's full path name.

## Response file variables to upgrade Storage Foundation and High Availability

[Table 21-1](#) lists the response file variables that you can define to configure SFHA.

**Table 21-1** Response file variables for upgrading SFHA

| Variable          | Description   |
|-------------------|---|
| CFG{accepteula}   | Specifies whether you agree with the EULA.pdf file on the media.<br><br>List or scalar: scalar<br><br>Optional or required: required  |
| CFG{systems}      | List of systems on which the product is to be installed or uninstalled.<br><br>List or scalar: list<br><br>Optional or required: required   |
| CFG{opt}{keyfile} | Defines the location of an ssh keyfile that is used to communicate with all remote systems.<br><br>List or scalar: scalar<br><br>Optional or required: optional   |
| CFG{opt}{tmppath} | Defines the location where a working directory is created to store temporary files and the packages that are needed during the install. The default location is /var/tmp.<br><br>List or scalar: scalar<br><br>Optional or required: optional |

**Table 21-1** Response file variables for upgrading SFHA (*continued*)

| Variable                  | Description  |
|---------------------------|--|
| CFG{opt}{logpath}         | Mentions the location where the log files are to be copied. The default location is /opt/VRTS/install/logs.<br><br>List or scalar: scalar<br><br>Optional or required: optional  |
| CFG{opt}{upgrade}         | Upgrades all packages installed, without configuration.<br><br>List or scalar: list<br><br>Optional or required: optional  |
| CFG{mirrordgname}{system} | If the root dg is encapsulated and you select split mirror is selected:<br><br>Splits the target disk group name for a system.<br><br>List or scalar: scalar<br><br>Optional or required: optional                               |
| CFG{splitmirror}{system}  | If the root dg is encapsulated and you select split mirror is selected:<br><br>Indicates the system where you want a split mirror backup disk group created.<br><br>List or scalar: scalar<br><br>Optional or required: optional |

## Sample response file for SFHA upgrade

The following example shows a response file for upgrading Storage Foundation High Availability.

```
our %CFG;
$CFG{acceptula}=1;
$CFG{opt}{upgrade}=1;
$CFG{systems}=[ qw(system01 system02) ];
$CFG{vcs_allowcomms}=1;
1;
```

The `vcs_allowcomms` variable is set to 0 if it is a single-node cluster, and the `llt` and `gab` processes are not started before upgrade.

# Upgrading SFHA using Live Upgrade

This chapter includes the following topics:

- [About Live Upgrade](#)
- [Supported upgrade paths for Live Upgrade](#)
- [Before you upgrade SFHA using Solaris Live Upgrade](#)
- [Upgrading SFHA and Solaris using Live Upgrade](#)
- [Upgrading Solaris using Live Upgrade](#)
- [Upgrading SFHA using Live Upgrade](#)
- [Administering boot environments](#)

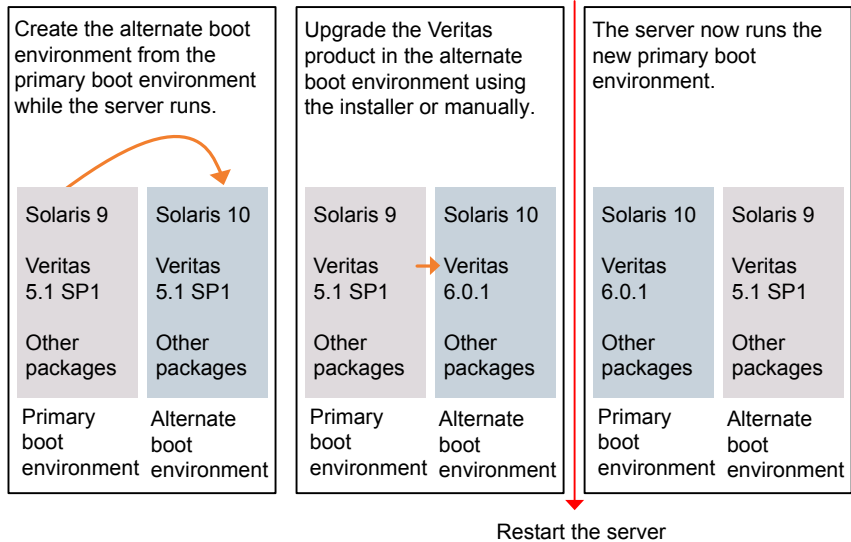
## About Live Upgrade

You can use Live Upgrade on Solaris 10 systems to perform the following types of upgrade:

- Upgrade the operating system and SFHA.  
See [“Upgrading SFHA and Solaris using Live Upgrade”](#) on page 297.
- Upgrade the operating system.  
See [“Upgrading Solaris using Live Upgrade”](#) on page 304.
- Upgrade SFHA.  
See [“Upgrading SFHA using Live Upgrade”](#) on page 306.

[Figure 22-1](#) illustrates an example of an upgrade of Veritas products from 5.1 SP1 to 6.0.1, and the operating system from Solaris 9 to Solaris 10.

**Figure 22-1** Live Upgrade process



Some service groups (failover and parallel) may be online in this cluster and they are not affected by the Live Upgrade process. The only downtime experienced is when the server is rebooted to boot into the alternate boot disk.

## About Live Upgrade in a Veritas Volume Replicator (VVR) environment

In a SFHA environment that uses Veritas Volume Replicator, the following scripts provide the means to upgrade the VVR configuration:

- `vvr_upgrade_lu_start`
- `vvr_upgrade_lu_finish`

The scripts are available in the scripts directory in the install media.

This section provides an overview of the VVR upgrade process. See the Live Upgrade procedures for SFHA for the complete procedure.

See [“Upgrading SFHA and Solaris using Live Upgrade”](#) on page 297.

- Use the `vxlustart` script to perform upgrade steps for SFHA.
- Immediately before rebooting the system to switch over to the alternate boot environment, run the `vvr_upgrade_lu_start` script.

---

**Note:** Use the `vvr_upgrade_lu_start` script only when the applications are stopped and the next step is to switch over to the alternate boot environment.

---

- After the `vvr_upgrade_lu_start` script completes successfully, reboot the system. This reboot results in the system booting from the alternate boot environment.
- After the objects are recovered, and the disk group version is upgraded (if desired), run the `vvr_upgrade_lu_finish` script.

## Supported upgrade paths for Live Upgrade

The systems where you plan to use Live Upgrade must run Solaris 9 or Solaris 10. You can upgrade from systems that run Solaris 9, but SFHA 6.0.1 is not supported on Solaris 9. The `vxlustart` and `vxlufinish` are not supported on Solaris 11. ZFS root is not supported by `vxlustart` script.

For Live Upgrade, if the alternative root environment also has a zone, you cannot install `VRTSodm`. You must remove the `VRTSodm` package first then install the Storage Foundation product on the alternate boot environment. After you reboot the alternative root, you can install `VRTSodm`.

SFHA version must be at least 5.0 MP3.

Symantec requires that both global and non-global zones run the same version of Veritas products.

You can use Live Upgrade in the following virtualized environments:

**Table 22-1** Live Upgrade support in virtualized environments

| Environment          | Procedure  |
|----------------------|--|
| Solaris native zones | <p>Perform Live Upgrade to upgrade both global and non-global zones.</p> <p>If you have a zone root that resides on a VxVM volume, use the following procedure.</p> <p>See <a href="#">“Performing Live Upgrade in a Solaris zone environment”</a> on page 296.</p> <p>Use the standard procedure for the other standby nodes.</p> <p>See <a href="#">“Upgrading SFHA and Solaris using Live Upgrade”</a> on page 297.</p> |

**Table 22-1** Live Upgrade support in virtualized environments (*continued*)

| Environment                    | Procedure  |
|--------------------------------|--|
| Solaris branded zones (BrandZ) | <p>Perform Live Upgrade to upgrade the global zone.</p> <p>See <a href="#">“Upgrading SFHA and Solaris using Live Upgrade”</a> on page 297.</p> <p>Manually upgrade the branded zone separately.</p> <p>Note that while you can perform a Live Upgrade in the presence of branded zones, the branded zones are not upgraded.</p> |
| Oracle VM Server for SPARC     | <p>Perform Live Upgrade on the Control domain only.</p> <p>Perform Live Upgrade on the Guest domain only.</p> <p>Use the standard Live Upgrade procedure for both types of logical domains.</p> <p>See <a href="#">“Upgrading SFHA and Solaris using Live Upgrade”</a> on page 297.</p>  |

## Performing Live Upgrade in a Solaris zone environment

If you have a zone root that resides on a VxVM volume, then you must use the following procedure to perform a Live Upgrade on the nodes where zones are online.

You have to create a VxVM volume of the same or more size as that of the existing zone root for copying the file system contents to alternate boot environment. Use VxVM commands for creating the volume.

By default, resources of the Zone agent attribute, `BootState` is set to "multi-user." After you complete the upgrade, you may need to adjust this attribute to the appropriate value before you start your zone through VCS.

---

**Note:** Symantec recommends that you set `BootState` to "multi-user-server" to run applications inside non-global zones.

---

## Before you upgrade SFHA using Solaris Live Upgrade

Before you upgrade, perform the following procedure.



### To prepare for the Live Upgrade

- 1 Make sure that the SFHA installation media and the operating system installation images are available and on hand.
- 2 On the primary boot disk, patch the operating system for Live Upgrade. Patch 137477-01 is required. Verify that this patch is installed.
- 3 The version of the Live Upgrade packages must match the version of the operating system to which you want to upgrade on the alternate boot disk. If you are upgrading the Solaris operating system, do the following steps:
  - Remove the installed Live Upgrade packages for the current operating system version:  
All Solaris versions: SUNWluu, SUNWlur packages.  
Solaris 10 update 7 or later also requires: SUNWlucfg package.
  - From the new Solaris installation image, install the new versions of the following Live Upgrade packages:  
All Solaris versions: SUNWluu, SUNWlur, and SUNWlucfg packages.

Solaris installation media comes with a script for this purpose named `liveupgrade20`. Find the script at `/cdrom/solaris_release/Tools/Installers/liveupgrade20`. If scripting, you can use:

```
# /cdrom/solaris_release/Tools/Installers/liveupgrade20 \  
-nodisplay -noconsole
```
- 4 If the specified image is missing patches that are installed on the primary boot disk, note the patch numbers. To ensure that the alternate boot disk is the same as the primary boot disk, you need to install any missing patches on the alternate boot disk.

## Upgrading SFHA and Solaris using Live Upgrade

Perform the Live Upgrade manually or use the installer. For SFHA, the nodes do not form a cluster until all of the nodes are upgraded to Storage Foundation 6.0.1. At the end of the Live Upgrade of the last node, all the nodes must boot from the alternate boot environment and join the cluster.

Upgrading SFHA using Live Upgrade involves the following steps:

- Prepare to upgrade using Solaris Live Upgrade.  
See [“Before you upgrade SFHA using Solaris Live Upgrade”](#) on page 296.
- Create a new boot environment on the alternate boot disk.  
See [“Creating a new boot environment on the alternate boot disk”](#) on page 298.

- Upgrade SFHA using the installer.  
 See [“Upgrading SFHA using the installer for a Live Upgrade”](#) on page 302.
- Switch the alternate boot environment to be the new primary.  
 See [“Completing the Live Upgrade ”](#) on page 302.
- Verify Live Upgrade of SFHA.  
 See [“Verifying Live Upgrade of SFHA”](#) on page 304.

## Creating a new boot environment on the alternate boot disk

Run the `vxlustart` command on each node in the cluster to create a new boot environment on the alternate boot disk.

Symantec provides the `vxlustart` script that runs a series of commands to create the alternate boot environment for the upgrade.

```
# cd /cdrom/scripts
```

[Table 22-2](#) shows the various usages of the `vxlustart` option.

**Table 22-2** Usages of the `vxlustart` option

| vxlustart option | Usage  |
|------------------|--|
| -V               | Lists the commands to be executed during the upgrade process without executing them.   |
| -v               | Indicates verbose, print commands before executing them.   |
| -f               | Forces the vtoc creation on the disk.  |
| -Y               | Indicates a default yes with no questions asked.   |
| -m               | Uses the already existing vtoc on the disk.  |
| -D               | Prints with debug option on, and is for debugging.   |
| -U               | Specifies that only the Storage Foundation products are upgraded.  |
| -g               | Specifies the DG to which the rootdisk belongs. Optional.  |
| -d               | Indicates the name of the alternate boot disk <code>c##t##d##s2</code> on which you intend to upgrade. The default disk is <b>mirrordisk</b> .   |
| -u               | Specifies the operating system version for the upgrade on the alternate boot disk. For example, use 5.10 for Solaris 10.<br><br>If you want to upgrade only SF products, specify the current OS version. |

**Table 22-2** Usages of the `vxlustart` option (*continued*)

| vxlustart option | Usage  |
|------------------|--|
| -F               | Specifies the rootdisk's file system, where the default is <code>ufs</code> .  |
| -s               | Specifies the path to the Solaris image. It can be a network/directory path. If the installation uses the CD, this option must not be specified. See <i>Solaris Live Upgrade installation guide</i> for more information about the path. |
| -r               | If the machine crash/reboot before <code>vxlufinish</code> , you can remount the alternate disk using this option.   |
| -k               | Specifies the location of file containing auto-registration information. This file is required by <code>luupgrade(1M)</code> for OS upgrade to Solaris 10 9/10 or a later release.   |
| -x               | Excludes file from newly created BE. ( <code>lucreate -x</code> option)  |
| -X               | Excludes file list from newly created BE. ( <code>lucreate -f</code> option)   |
| -i               | Includes file from newly created BE. ( <code>lucreate -y</code> option)  |
| -I               | Includes file list from newly created BE. ( <code>lucreate -Y</code> option)   |
| -z               | Filters file list from newly created BE. ( <code>lucreate -z</code> option)  |
| -w               | Specifies additional mount points. ( <code>lucreate -m</code> option)  |
| -W               | Specifies additional mount points in a file ( <code>lucreate -M</code> option)   |

If the `-U` option is specified, you can omit the `-s` option. The operating system is cloned from the primary boot disk.

Symantec recommends that you preview the commands with `-v` option to ensure there are no problems before beginning the Live Upgrade process. The `vxlustart` script is located on the distribution media, in the `scripts` directory.

For example, to preview the commands to upgrade only the Symantec product:

```
# ./vxlustart -v -u 5.10 -U -d disk_name
```

For example, to preview the commands for an upgrade to Solaris 10 update 6:

```
# ./vxlustart -v -u 5.10 -s /mnt/Solaris_10u6 -d c0t1d0s2
```

In the procedure examples, the primary or current boot environment resides on `Disk0` (`c0t0d0s2`) and the alternate or inactive boot environment resides on `Disk1` (`c0t1d0s2`).

---

**Note:** This step can take several hours to complete. Do not interrupt the session as it may leave the boot environment unstable.

---

At the end of the process:

- The Solaris operating system on the alternate boot disk is upgraded, if you have chosen to upgrade the operating system.
- A new boot environment is created on the alternate boot disk by cloning the primary boot environment.

#### To create a new boot environment on the alternate boot disk

Perform the steps in this procedure on each node in the cluster.

- 1 View the list of VxVM disks on which you want to create the new boot environment.

```
# vxdisk list
```

- 2 Before you upgrade, make sure that you exclude the file system mount points on a shared storage that applications use from getting copied to the new boot environment. To prevent these shared mount points from being copied to the new boot environment, create a temporary file containing the file system mountpoints that need to be excluded.

```
# cat /var/tmp/file_list  
- /ora_mnt  
- /sap_mnt
```

where `/var/tmp/file_list` is a temporary file that contains the list of mount points to be excluded from the new boot environment. The items in the file list are preceded either by a '+' or '-' symbol.

The '+' symbol indicates that the mount point is included in the new boot environment.

The '-' symbol indicates that the mount point is excluded from the new boot.

Apart from file system mount points, you may choose to include or exclude other files.

If you have non-global zone in running state in the current boot environment and zone root path is on a VxVM, create another volume of same or more size for each zone root in alternate boot environment path using `vxvm` commands.

- 3 Run one of the following commands to create the alternate boot environment:

For example:

To upgrade the operating system:

```
# ./vxlustart -v -u 5.10 -s /mnt/sol10u9 -d  
c0t1d0s2 -z /var/tmp/file_list
```

where `/mnt/sol10u9` is the path to the operating system image that contains the `.cdtoc` file.

To clone the operating system of current boot environment:

```
# ./vxlustart -v -u 5.10 -U -d c0t1d0s2 -z /var/tmp/file_list
```

If you have non-global zone with zone root path on VxVM, then to upgrade the OS:

```
# ./vxlustart -v -u 5.10 -U -d c0t1d0s2 -z  
/var/tmp/file_list -w /zone1-rootpath:/dev/vx/dsk/rootpathdg_alt/  
rootpathvol_alt:vxfs
```

Where `zone1-rootpath` is root path of zone in present boot environment.

- 4 Update the permissions, user name, and group name of the mount points (created on the ABE) to match that of the existing directories on the primary boot environment.
- 5 If zone root path is on VxVM, update the `/altroot.5.10/etc/VRTSvcs/conf/config/main.cf` file with new block device created in step 2 for all zones to reflect the ABE zone root paths.
- 6 Review the output of `df` commands and note the new mount points. If the system is rebooted before completion of the upgrade or if the mounts become unmounted, you may need to remount the disks.

If you need to remount, run the command:

```
# vxlustart -r -u targetos_version -d disk_name
```

- 7 After the alternate boot disk is created and mounted on `/altroot.5.10`, install any operating system patches or packages on the alternate boot disk that are required for the Veritas product installation:

```
# pkgadd -R /altroot.5.10 -d pkg_dir
```

## Upgrading SFHA using the installer for a Live Upgrade

You can use the Veritas product installer to upgrade SFHA as part of the Live Upgrade.

On a node in the cluster, run the installer on the alternate boot disk to upgrade SFHA on all the nodes in the cluster. The program uninstalls the existing version of SFHA on the alternate boot disk during the process.

At the end of the process the following occurs:

- Storage Foundation 6.0.1 is installed on the alternate boot disk.

### To perform Live Upgrade of SFHA using the installer

- 1 Insert the product disc with Storage Foundation 6.0.1 or access your copy of the software on the network.
- 2 Run the installer script specifying the root path as the alternate boot disk:

```
# ./installsfha -upgrade -rootpath /altroot.5.10
```

See [“Removing and reinstalling SFHA using the installer”](#) on page 305.

- 3 Enter the names of the nodes that you want to upgrade to Storage Foundation 6.0.1.

The installer displays the list of packages to be installed or upgraded on the nodes.

- 4 Press **Return** to continue with the installation.

During Live Upgrade, if the OS of the alternate boot disk is upgraded, the installer will not update the VCS configurations for Oracle, Netlsnr, and Sybase resources. If cluster configurations include these resources, you will be prompted to run a list of commands to manually update the configurations after the cluster restarts from the alternate boot disks.

- 5 Verify that the version of the Veritas packages on the alternate boot disk is 6.0.1.

```
# pkginfo -R /altroot.5.10 -l VRTSpkgname
```

For example:

Review the installation logs at `/altroot.5.10/opt/VRTS/install/logs`.

## Completing the Live Upgrade

At the end of the process:

- If the original primary boot disk was encapsulated, the alternate boot disk is encapsulated.
- The alternate boot environment is activated.
- The system is booted from the alternate boot disk.

### To complete the Live Upgrade

- 1 Complete the Live upgrade process using one of the following commands. You must enter the command on all nodes in the cluster.

If the primary root disk is not encapsulated, run the following command:

```
# ./vxlufinish -u target_os_version
Live Upgrade finish on the Solaris release <5.10>
```

If the primary root disk is encapsulated by VxVM, run the following command:

```
# ./vxlufinish -u target_os_version -g diskgroup
Live Upgrade finish on the Solaris release <5.10>
```

The Live Upgrade process encapsulates the alternate root disk if the primary root disk was encapsulated.

- 2 If the system crashes or reboots before Live Upgrade completes successfully, you can remount the alternate disk using the following command:

```
# ./vxlustart -r -u target_os_version
```

Then, rerun the vxlufinish command from step 1

```
# ./vxlufinish -u target_os_version
```

- 3 **Note:** Do not use the `reboot`, `halt`, or `uadmin` commands to reboot the system. Use either the `init` or the `shutdown` commands to enable the system to boot using the alternate boot environment.

You can ignore the following error if it appears: ERROR: boot environment <dest.13445> already mounted on </altroot.5.10>.

```
# shutdown -g0 -y -i6
```

- 4 If you want to upgrade CP server systems that use VCS or SFHA to this version, make sure that you upgraded all application clusters to this version. Then, upgrade VCS or SFHA on the CP server systems.

For instructions to upgrade VCS or SFHA on the CP server systems, see the VCS or SFHA Installation Guide.

## Verifying Live Upgrade of SFHA

To ensure that Live Upgrade has completed successfully, verify that all the nodes have booted from the alternate boot environment and joined the cluster.

### To verify that Live Upgrade completed successfully

- 1 Verify that the alternate boot environment is active.

```
# lustatus
```

If the alternate boot environment is not active, you can revert to the primary boot environment.

See [“Reverting to the primary boot environment”](#) on page 306.

- 2 In a cluster environment, make sure that all the GAB ports are up. Note different ports appear for different products.
- 3 Perform other verification as required to ensure that the new boot environment is configured correctly. The non-global zones must be brought to configured state and then attached with `-U` option so that packages are upgraded inside the non-global zone also.

## Upgrading Solaris using Live Upgrade

Upgrading Solaris using Live Upgrade involves the following steps:

- Preparing to upgrade using Solaris Live Upgrade.  
See [“Before you upgrade SFHA using Solaris Live Upgrade”](#) on page 296.
- Creating a new boot environment on the alternate boot disk  
See [“Creating a new boot environment on the alternate boot disk”](#) on page 298.
- Removing and reinstalling Storage Foundation 6.0.1 on the alternate boot environment:  
See [“Removing and reinstalling SFHA using the installer”](#) on page 305.

---

**Note:** Do NOT configure the Storage Foundation 6.0.1

---

- Switching the alternate boot environment to be the new primary  
See [“Completing the Live Upgrade ”](#) on page 302.
- Verifying Live Upgrade of SFHA.  
See [“Verifying Live Upgrade of SFHA”](#) on page 304.



## Removing and reinstalling SFHA using the installer

SFHA has kernel components that are specific for Solaris operating system versions. When you use Solaris Live Upgrade to upgrade the Solaris operating system, you must complete these steps to ensure the correct version of SFHA components are installed.

Run the installer on the alternate boot disk to remove and reinstall Storage Foundation 6.0.1. In a High Availability environment, you must perform this step on all nodes in the cluster.

At the end of the process the following occurs:

- Storage Foundation 6.0.1 is installed on the alternate boot disk, with the correct binaries for the new operating system version

### To remove and reinstall SFHA using the installer

- 1 Uninstall using the installer script, specifying the alternate boot disk as the root path:

```
# /opt/VRTS/install/uninstallsfha<version>  
-rootpath altrootpath
```

Where *<version>* is the specific release version.

See [“About the Veritas installer”](#) on page 40.

- 2 Enter the names of the nodes that you want to uninstall.

The installer displays the list of packages that will be uninstalled.

- 3 Press **Return** to continue.

- 4 Install using the installer script, specifying the root path as the alternate boot disk as follows:

```
# /cdrom/storage_foundation_high_availability/installsfha -install \  
-rootpath /altrootpath
```

- 5 Press **Return** to continue.

- 6 Verify that the version of the Veritas packages on the alternate boot disk is 6.0.1.

```
# pkginfo -R /altroot.5.10 -l VRTSpkgname
```

For example:

```
# pkginfo -R /altroot.5.10 -l VRTSvxvm
```

Review the installation logs at `/altroot.5.10/opt/VRTS/install/log`.

## Upgrading SFHA using Live Upgrade

Perform the Live Upgrade manually or use the installer. The nodes will not form a cluster until all of the nodes are upgraded to Storage Foundation 6.0.1. At the end of the Live Upgrade of the last node, all the nodes must boot from the alternate boot environment and join the cluster.

Upgrading SFHA using Live Upgrade involves the following steps:

- Prepare to upgrade using Solaris Live Upgrade.  
See [“Before you upgrade SFHA using Solaris Live Upgrade”](#) on page 296.
- Create a new boot environment on the alternate boot disk.  
See [“Creating a new boot environment on the alternate boot disk”](#) on page 298.
- Upgrade SFHA using the installer.  
See [“Upgrading SFHA using the installer for a Live Upgrade”](#) on page 302.
- Switch the alternate boot environment to be the new primary.  
See [“Completing the Live Upgrade ”](#) on page 302.
- Verify Live Upgrade of SFHA.  
See [“Verifying Live Upgrade of SFHA”](#) on page 304.

## Administering boot environments

Use the following procedures to perform relevant administrative tasks for boot environments.

### Reverting to the primary boot environment

If the alternate boot environment fails to start, you can revert to the primary boot environment.

On each node, start the system from the primary boot environment in the PROM monitor mode.

```
ok> boot disk0
```

where *disk0* is the primary boot disk.

## Switching the boot environment for Solaris SPARC

- 1 Display the status of Live Upgrade boot environments.

```
# lustatus
```

| Boot Environment Name | Is Complete | Active Now | Active On Reboot | Can Delete | Copy Status |
|-----------------------|-------------|------------|------------------|------------|-------------|
| source.2657           | yes         | yes        | yes              | no         | -           |
| dest.2657             | yes         | no         | no               | yes        | -           |

In this example, the primary boot disk is currently (source.2657). You want to activate the alternate boot disk (dest.2657)

- 2 Unmount any file systems that are mounted on the alternate root disk (dest.2657).

```
# lufslist dest.2657
```

```
boot environment name: dest.2657
```

| Filesystem        | fstype | device      | size | Mounted on | Mount Options |
|-------------------|--------|-------------|------|------------|---------------|
| /dev/dsk/c0t0d0s1 | swap   | 4298342400  | -    | -          | -             |
| /dev/dsk/c0t0d0s0 | ufs    | 15729328128 | /    | -          | -             |
| /dev/dsk/c0t0d0s5 | ufs    | 8591474688  | /var | -          | -             |
| /dev/dsk/c0t0d0s3 | ufs    | 5371625472  | /vxf | -          | -             |

```
# luumount dest.2657
```

- 3 Activate the Live Upgrade boot environment.

```
# luactivate dest.2657
```

- 4 Reboot the system.

```
# shutdown -g0 -i6 -y
```

The system automatically selects the boot environment entry that was activated.

## Switching the boot environment for Solaris x86-64

### To switch the boot environment if root disk is not encapsulated

- 1 Display the status of Live Upgrade boot environments.

```
# lustatus
```

| Boot Environment Name | Is Complete | Active Now | Active On Reboot | Can Delete | Copy Status |
|-----------------------|-------------|------------|------------------|------------|-------------|
| source.2657           | yes         | yes        | yes              | no         | -           |
| dest.2657             | yes         | no         | no               | yes        | -           |

In this example, the primary boot disk is currently (source.2657). You want to activate the alternate boot disk (dest.2657)

- 2 Unmount any file systems that are mounted on the alternate root disk (dest.2657).

```
# lufslist dest.2657
```

```
boot environment name: dest.2657
```

| Filesystem        | fstype | device      | size | Mounted on | Mount Options |
|-------------------|--------|-------------|------|------------|---------------|
| /dev/dsk/c0t0d0s1 | swap   | 4298342400  | -    | -          | -             |
| /dev/dsk/c0t0d0s0 | ufs    | 15729328128 | /    | -          | -             |
| /dev/dsk/c0t0d0s5 | ufs    | 8591474688  | /var | -          | -             |
| /dev/dsk/c0t0d0s3 | ufs    | 5371625472  | /vxf | -          | -             |

```
# luumount dest.2657
```

### 3 Activate the Live Upgrade boot environment.

```
# luactivate dest.2657
```

### 4 Reboot the system.

```
# shutdown -g0 -i6 -y
```

When the system boots up, the GRUB menu displays the following entries for the Live Upgrade boot environments:

```
source.2657  
dest.2657
```

The system automatically selects the boot environment entry that was activated.

#### To switch the boot environment if root disk is encapsulated

- ◆ If the root disk is encapsulated, for releases before Solaris 10 update 6 (2.10u6), you can use the `luactivate` method. For Solaris 10 update 6 and subsequent Solaris 10 updates, do one of the following:
  - Select the GRUB entry for the source boot environment or destination boot environment when the system is booted. You can also use the following procedure to manually set the default GRUB menu.lst entry to the source (PBE) or destination (ABE) grub entry:
  - If the system is booted from the alternate boot environment, perform the following steps to switch to the primary boot environment:

```
# mkdir /priroot  
# mount rootpath /priroot  
# bootadm list-menu -R /priroot  
# bootadm list-menu  
# bootadm set-menu -R /priroot default=PBE_menu_entry  
# bootadm set-menu default=PBE_menu_entry  
# shutdown -g0 -i6 -y
```

Where:

**rootpath** is the path to the root device, such as

```
/dev/vx/dsk/rootdg/rootvol
```

**priroot** is the primary root device

**PBE\_menu\_entry** is the number of the primary boot environment in the GRUB menu.

- If the system is booted from the primary boot environment, perform the following steps to switch to the alternate boot environment:

```
# bootadm list-menu  
# bootadm set-menu default=ABE_menu_entry  
ABE booting
```

# Performing post-upgrade tasks

This chapter includes the following topics:

- [Optional configuration steps](#)
- [Re-joining the backup boot disk group into the current disk group](#)
- [Reverting to the backup boot disk group after an unsuccessful upgrade](#)
- [Post upgrade tasks for migrating the SFDB repository database](#)
- [Recovering VVR if automatic upgrade fails](#)
- [Post-upgrade tasks when VCS agents for VVR are configured](#)
- [Upgrading disk layout versions](#)
- [Upgrading VxVM disk group versions](#)
- [Updating variables](#)
- [Setting the default disk group](#)
- [Upgrading the Array Support Library](#)
- [Converting from QuickLog to Multi-Volume support](#)
- [About enabling LDAP authentication for clusters that run in secure mode](#)
- [Verifying the Storage Foundation and High Availability upgrade](#)

## Optional configuration steps

After the upgrade is complete, additional tasks may need to be performed.

You can perform the following optional configuration steps:

- If Veritas Volume Replicator (VVR) is configured, do the following steps in the order shown:
  - Reattach the RLINKs.
  - Associate the SRL.
- To encapsulate and mirror the boot disk, follow the procedures in the "Administering Disks" chapter of the *Veritas Storage Foundation Administrator's Guide*.
- To upgrade VxFS Disk Layout versions and VxVM Disk Group versions, follow the upgrade instructions.  
See ["Upgrading VxVM disk group versions"](#) on page 322.

## Re-joining the backup boot disk group into the current disk group

Perform this procedure to rejoin the backup boot disk if you split the mirrored boot disk during upgrade. After a successful upgrade and reboot, you no longer need to keep the boot disk group backup.

### To re-join the backup boot disk group

- ◆ Re-join the *backup\_bootdg* disk group to the boot disk group.

```
# /etc/vx/bin/vxrootadm -Y join backup_bootdg
```

where the `-Y` option indicates a silent operation, and *backup\_bootdg* is the name of the backup boot disk group that you created during the upgrade.

## Reverting to the backup boot disk group after an unsuccessful upgrade

Perform this procedure if your upgrade was unsuccessful and you split the mirrored boot disk to back it up during upgrade. You can revert to the backup that you created when you upgraded.



### To revert the backup boot disk group after an unsuccessful upgrade

- 1 To determine the boot disk groups, look for the *rootvol* volume in the output of the `vxprint` command.

```
# vxprint
```

- 2 Use the `vxdg` command to find the boot disk group where you are currently booted.

```
# vxdg bootdg
```

- 3 Boot the operating system from the backup boot disk group.
- 4 Join the original boot disk group to the backup disk group.

```
# /etc/vx/bin/vxrootadm -Y join original_bootdg
```

where the `-Y` option indicates a silent operation, and *original\_bootdg* is the boot disk group that you no longer need.

## Post upgrade tasks for migrating the SFDB repository database

Database Storage Checkpoints that have been created by using the SFDB tools before upgrade are visible using the `vxsfadm` CLI, and you can mount these Database Storage Checkpoints and roll back to them, if required. However, creating clones by using migrated Database Storage Checkpoints is not supported.

If you want to continue using previously created FlashSnap snapplans to take snapshots, you must validate them by using the `-o validate` option of the `vxsfadm` command.

- Rename startup script after upgrading from 5.0x and before migrating the SFDB repository  
See [“After upgrading from 5.0.x and before migrating SFDB”](#) on page 318.
- Migrate from a 5.0x SFDB repository database to 6.0.1  
See [“Migrating from a 5.0 repository database to 6.0.1”](#) on page 313.
- Migrate from a 5.1 or 5.1SP1 repository database to 6.0.1  
See [“Migrating from a 5.1 or higher repository database to 6.0.1”](#) on page 316.

### Migrating from a 5.0 repository database to 6.0.1

Perform the following on one node only.

**To migrate from a 5.0 repository database to 6.0.1**

- 1 Rename the startup script NO\_S\*vxdbms3 to S\*vxdbms3.

See “[After upgrading from 5.0.x and before migrating SFDB](#)” on page 318.

- 2 As root, dump out the old Sybase ASA repository. If you are using SFHA or SF Oracle RAC, you only need to do this on one node.

```
# /opt/VRTSdbed/migrate/sfua_rept_migrate
```

- 3 On the same node that you ran `sfua_rept_migrate` run the following command as Oracle user. For each Oracle instance, migrate the old repository data to the SQLite repository.

```
$ /opt/VRTS/bin/dbed_update -S $ORACLE_SID -H $ORACLE_HOME -G \
Oracle_service_group
```

- 4 By default, the repository is created on the file system which contains the Oracle SYSTEM tablespace. If you need an alternative repository path, first verify the following requirements:

- Repository path has to be a directory writable by Oracle user.
- If you are using SFHA, the repository must be accessible by all nodes. You can put it in a resource group under VCS control so it can be failed over together with the Oracle database.
- The update commands will not be able to verify accessibility of the repository path and will fail if you have not set up the path correctly.

Create an alternate repository path.

```
$ /opt/VRTS/bin/dbed_update -S $ORACLE_SID -H $ORACLE_HOME \
-G Oracle_service_group -R Alternate_path
```

- 5 If you are using Database Flashsnap for off-host processing, and if you have a repository on the secondary host that you need to migrate: perform the previous steps on the secondary host.

- 6 On the primary host, edit your snapplans to remove the "SNAPSHOT\_DG=SNAP\_\*" parameter and add "SNAPSHOT\_DG\_PREFIX=SNAP\_\*". The parameter can be any PREFIX value and not necessarily "SNAP\_\*".

For example:

```
$ /usr/oracle> more SNAPPLAN1
SNAPSHOT_VERSION=5.0
PRIMARY_HOST=system1
SECONDARY_HOST=system1.example.com
PRIMARY_DG=system1_data
SNAPSHOT_DG=SNAP_system1_data
ORACLE_SID=HN1
ARCHIVELOG_DEST=/oracle/orahome/dbs/arch
SNAPSHOT_ARCHIVE_LOG=yes
SNAPSHOT_MODE=online
SNAPSHOT_PLAN_FOR=database
SNAPSHOT_PLEX_TAG=dbed_flashsnap
SNAPSHOT_VOL_PREFIX=SNAP_
ALLOW_REVERSE_RESYNC=no
SNAPSHOT_MIRROR=1
```

```
$ /usr/oracle> more SNAPPLAN1
SNAPSHOT_VERSION=5.0
PRIMARY_HOST=system1
SECONDARY_HOST=system1.example.com
PRIMARY_DG=judge_data
SNAPSHOT_DG_PREFIX=SNAP_system1_data
ORACLE_SID=HN1
ARCHIVELOG_DEST=/oracle/orahome/dbs/arch
SNAPSHOT_ARCHIVE_LOG=yes
SNAPSHOT_MODE=online
SNAPSHOT_PLAN_FOR=database
SNAPSHOT_PLEX_TAG=dbed_flashsnap
SNAPSHOT_VOL_PREFIX=SNAP_
ALLOW_REVERSE_RESYNC=no
SNAPSHOT_MIRROR=1
```

- 7 On the primary host, revalidate your snapshots using the following command:

```
$ /opt/VRTS/bin/vxsfadm -s flashsnap \  
-a oracle -c SNAPPLAN -o validate
```

This completes the migration of the repository for Database Storage Checkpoints and Database Tiered Storage parameters.

To begin using the Storage Foundation for Databases (SFDB) tools:

See *Storage Foundation: Storage and Availability Management for Oracle Databases*

## Migrating from a 5.1 or higher repository database to 6.0.1

Perform the following on one node only.

### To migrate from a 5.0 repository database to 6.0.1

- 1 Run the following command as Oracle user. For each Oracle instance, migrate the old repository data to the SQLite repository.

```
$ /opt/VRTS/bin/dbed_update -S $ORACLE_SID -H $ORACLE_HOME -G \  
Oracle_service_group
```

- 2 By default, the repository is created on the file system which contains the Oracle SYSTEM tablespace. If you need an alternative repository path, first verify the following requirements:

- Repository path has to be a directory writable by Oracle user.
- If you are using SFHA, the repository must be accessible by all nodes. You can put it in a resource group under VCS control so it can be failed over together with the Oracle database.
- The update commands will not be able to verify accessibility of the repository path and will fail if you have not set up the path correctly.

Create an alternate repository path.

```
$ /opt/VRTS/bin/dbed_update -S $ORACLE_SID -H $ORACLE_HOME \  
-G Oracle_service_group -R Alternate_path
```

- 3 If you are using Database Flashsnap for off-host processing, and if you have a repository on the secondary host that you need to migrate: perform the previous steps on the secondary host.

- 4 On the primary host, edit your snapplans to remove the "SNAPSHOT\_DG=SNAP\_\*" parameter and add "SNAPSHOT\_DG\_PREFIX=SNAP\_\*". The parameter can be any PREFIX value and not necessarily "SNAP\_\*".

For example:

```
$ /usr/oracle> more SNAPPLAN1
SNAPSHOT_VERSION=5.0
PRIMARY_HOST=system1
SECONDARY_HOST=system1.example.com
PRIMARY_DG=system1_data
SNAPSHOT_DG=SNAP_system1_data
ORACLE_SID=HN1
ARCHIVELOG_DEST=/oracle/orahome/dbs/arch
SNAPSHOT_ARCHIVE_LOG=yes
SNAPSHOT_MODE=online
SNAPSHOT_PLAN_FOR=database
SNAPSHOT_PLEX_TAG=dbed_flashsnap
SNAPSHOT_VOL_PREFIX=SNAP_
ALLOW_REVERSE_RESYNC=no
SNAPSHOT_MIRROR=1
```

```
$ /usr/oracle> more SNAPPLAN1
SNAPSHOT_VERSION=5.0
PRIMARY_HOST=system1
SECONDARY_HOST=system1.example.com
PRIMARY_DG=judge_data
SNAPSHOT_DG_PREFIX=SNAP_system1_data
ORACLE_SID=HN1
ARCHIVELOG_DEST=/oracle/orahome/dbs/arch
SNAPSHOT_ARCHIVE_LOG=yes
SNAPSHOT_MODE=online
SNAPSHOT_PLAN_FOR=database
SNAPSHOT_PLEX_TAG=dbed_flashsnap
SNAPSHOT_VOL_PREFIX=SNAP_
ALLOW_REVERSE_RESYNC=no
SNAPSHOT_MIRROR=1
```

5 On the primary host, revalidate your snapshots using the following command:

```
$ /opt/VRTS/bin/vxsfadm -s flashsnap \  
-a oracle -c SNAPPLAN -o validate
```

This completes the migration of the repository for Database Storage Checkpoints and Database Tiered Storage parameters.

To begin using the Storage Foundation for Databases (SFDB) tools:

See *Storage Foundation: Storage and Availability Management for Oracle Databases*

## After upgrading from 5.0.x and before migrating SFDB

When upgrading from SFHA version 5.0 to SFHA 6.0.1 the S\*vxdbms3 startup script is renamed to NO\_S\*vxdbms3. The S\*vxdbms3 startup script is required by sfua\_rept\_migrate. Thus when sfua\_rept\_migrate is run, it is unable to find the S\*vxdbms3 startup script and gives the error message:

```
/sbin/rc3.d/S*vxdbms3 not found  
SFORA sfua_rept_migrate ERROR V-81-3558 File: is missing.  
SFORA sfua_rept_migrate ERROR V-81-9160 Failed to mount repository.
```

To prevent S\*vxdbms3 startup script error

- ◆ Rename the startup script NO\_S\*vxdbms3 to S\*vxdbms3.

## Recovering VVR if automatic upgrade fails

If the upgrade fails during the configuration phase, after displaying the VVR upgrade directory, the configuration needs to be restored before the next attempt. Run the scripts in the upgrade directory in the following order to restore the configuration:

```
# restoresrl  
# adddcn  
# srlprot  
# attrlink  
# start.rvg
```

After the configuration is restored, the current step can be retried.

## Post-upgrade tasks when VCS agents for VVR are configured

The following lists post-upgrade tasks with VCS agents for VVR:

- [Unfreezing the service groups](#)
- [Restoring the original configuration when VCS agents are configured](#)

## Unfreezing the service groups

This section describes how to unfreeze services groups and bring them online.

### To unfreeze the service groups

- 1 On any node in the cluster, make the VCS configuration writable:

```
# haconf -makerw
```

- 2 Edit the `/etc/VRTSvcs/conf/config/main.cf` file to remove the deprecated attributes, SRL and RLinks, in the RVG and RVGShared resources.

- 3 Verify the syntax of the main.cf file, using the following command:

```
# hacf -verify
```

- 4 Unfreeze all service groups that you froze previously. Enter the following command on any node in the cluster:

```
# hagr -unfreeze service_group -persistent
```

- 5 Save the configuration on any node in the cluster.

```
# haconf -dump -makero
```

- 6 If you are upgrading in a shared disk group environment, bring online the RVGShared groups with the following commands:

```
# hagr -online RVGShared -sys masterhost
```

- 7 Bring the respective IP resources online on each node.

See [“Preparing for the upgrade when VCS agents are configured”](#) on page 239.

Type the following command on any node in the cluster.

```
# hares -online ip_name -sys system
```

This IP is the virtual IP that is used for replication within the cluster.

- 8 In shared disk group environment, online the virtual IP resource on the master node.

## Restoring the original configuration when VCS agents are configured

This section describes how to restore a configuration with VCS configured agents.

---

**Note:** Restore the original configuration only after you have upgraded VVR on all nodes for the Primary and Secondary cluster.

---

### To restore the original configuration

- 1 Import all the disk groups in your VVR configuration.

```
# vxdg -t import diskgroup
```

Each disk group should be imported onto the same node on which it was online when the upgrade was performed. The reboot after the upgrade could result in another node being online; for example, because of the order of the nodes in the AutoStartList. In this case, switch the VCS group containing the disk groups to the node on which the disk group was online while preparing for the upgrade.

```
# hagr -switch grpname -to system
```

- 2 Recover all the disk groups by typing the following command on the node on which the disk group was imported in step 1.

```
# vxrecover -bs
```

- 3 Upgrade all the disk groups on all the nodes on which VVR has been upgraded:

```
# vxdg upgrade diskgroup
```

- 4 On all nodes that are Secondary hosts of VVR, make sure the data volumes on the Secondary are the same length as the corresponding ones on the Primary. To shrink volumes that are longer on the Secondary than the Primary, use the following command on each volume on the Secondary:

```
# vxassist -g diskgroup shrinkto volume_name volume_length
```

where *volume\_length* is the length of the volume on the Primary.

---

**Note:** Do not continue until you complete this step on all the nodes in the Primary and Secondary clusters on which VVR is upgraded.

---

- 5 Restore the configuration according to the method you used for upgrade:



If you upgraded with the VVR upgrade scripts

Complete the upgrade by running the `vvr_upgrade_finish` script on all the nodes on which VVR was upgraded. We recommend that you first run the `vvr_upgrade_finish` script on each node that is a Secondary host of VVR.

Perform the following tasks in the order indicated:

- To run the `vvr_upgrade_finish` script, type the following command:

```
# /disc_path/scripts/vvr_upgrade_finish
```

where `disc_path` is the location where the Veritas software disc is mounted.

- Attach the RLINKs on the nodes on which the messages were displayed:

```
# vxrlink -g diskgroup -f att rlink_name
```

If you upgraded with the product installer

Use the Veritas product installer and select Start an Installed Product. Or use the installation script with the `-start` option.

- 6 Bring online the RVGLogowner group on the master:

```
# hagrps -online RVGLogownerGrp -sys masterhost
```

- 7 If you plan on using IPv6, you must bring up IPv6 addresses for virtual replication IP on primary/secondary nodes and switch from using IPv4 to IPv6 host names or addresses, enter:

```
# vradm changeip newpri=v6 newsec=v6
```

where `v6` is the IPv6 address.

- 8 Restart the applications that were stopped.

## Upgrading disk layout versions

In this release, you can create and mount only file systems with disk layout Version 7, 8, and 9. You can only local mount disk layout Version 6 only to upgrade to a later disk layout version.

Disk layout Version 6 has been deprecated and you cannot cluster mount an existing file system that has disk layout Version 6. To upgrade a cluster file system with disk layout Version 6, you must local mount the file system and then upgrade the file system using the `vxupgrade` utility to a later version.

See the `vxupgrade(1M)` manual page.

Support for disk layout Version 4 and 5 has been removed. You must upgrade any existing file systems with disk layout Version 4 or 5 to disk layout Version 7 or later using the `vxfsconvert` command.

See the `vxfsconvert(1M)` manual page.

---

**Note:** Symantec recommends that you upgrade existing file systems to the highest supported disk layout version prior to upgrading to this release.

---

You can check which disk layout version your file system has by using the following command:

```
# fstyp -v /dev/vx/dsk/dg1/vol1 | grep -i version
```

For more information about disk layout versions, see the *Veritas Storage Foundation Administrator's Guide*.

## Upgrading VxVM disk group versions

All Veritas Volume Manager disk groups have an associated version number. Each VxVM release supports a specific set of disk group versions. VxVM can import and perform tasks on disk groups with those versions. Some new features and tasks work only on disk groups with the current disk group version. Before you can perform the tasks or use the features, upgrade the existing disk groups.

For 6.0.1, the Veritas Volume Manager disk group version is different than in previous VxVM releases. Symantec recommends that you upgrade the disk group version if you upgraded from a previous VxVM release.

After upgrading to SFHA 6.0.1, you must upgrade any existing disk groups that are organized by ISP. Without the version upgrade, configuration query operations continue to work fine. However, configuration change operations will not function correctly.

For more information about ISP disk groups, refer to the *Veritas Storage Foundation and High Availability Administrator's Guide*.

Use the following command to find the version of a disk group:

```
# vxdg list diskgroup
```

To upgrade a disk group to the current disk group version, use the following command:

```
# vxdg upgrade diskgroup
```

For more information about disk group versions, see the *Veritas Storage Foundation and High Availability Administrator's Guide*.

## Updating variables

In `/etc/profile`, update the `PATH` and `MANPATH` variables as needed.

`MANPATH` could include `/opt/VRTS/man` and `PATH /opt/VRTS/bin`.

## Setting the default disk group

You may find it convenient to create a system-wide default disk group. The main benefit of creating a default disk group is that VxVM commands default to the default disk group. You do not need to use the `-g` option.

You can set the name of the default disk group after installation by running the following command on a system:

```
# vxctl defaultdg diskgroup
```

See the *Veritas Storage Foundation Administrator's Guide*.

## Upgrading the Array Support Library

VxVM provides support for new disk arrays in the form of Array Support Library (ASL) software package.

### Adding JBOD support for storage arrays for which there is not an ASL available

If an array is of type A/A-A, A/P or ALUA and a suitable ASL is not available, the array must be claimed as an JBOD of type A/P. This is to prevent path delays and I/O failures arising. As JBODs are assumed to be type A/A by default, you must create appropriate JBOD entries for such arrays.

To configure an A/A-A, A/P or ALUA array as a JBOD

- 1 Stop all applications, such as databases, from accessing VxVM volumes that are configured on the array, and unmount all VxFS file systems and Storage Checkpoints that are configured on the array.
- 2 Add the array as a JBOD of type A/P:

```
# vxddladm addjbod vid=SUN pid=T300 policy=ap
```

- 3 If you have not already done so, upgrade the Storage Foundation or VxVM software to 6.0.1. Device discovery will be performed during the upgrade, and the array will be claimed as a JBOD of appropriate type.

If you have already upgraded your system to 6.0.1, run the following command to perform device discovery:

```
# vxctl enable
```

- 4 Verify that the array has been added with the policy set to APdisk:

```
# vxddladm listjbod
VID    PID      Opcode Page Code Page Offset SNO length Policy
=====
SUN    T300     18      -1      36      12      APdisk
```

- 5 Check that the correct devices are listed for the array:

```
# vxdisk list
DEVICE      TYPE          DISK    GROUP    STATUS
APdisk_0    auto:cdsdisk -        -        online invalid
APdisk_1    auto:cdsdisk -        -        online invalid
APdisk_2    auto:cdsdisk -        -        online invalid
...
```

## Unsuppressing DMP for EMC PowerPath disks

This section is only applicable if you are upgrading a system that includes EMC PowerPath disks.

In releases of VxVM before 4.1, a combination of DMP subpaths and the controllers of DMP subpaths were usually suppressed to prevent interference between DMP and the EMC PowerPath multi-pathing driver. Suppression has the effect of hiding these subpaths and their controllers from DMP, and as a result the disks on these subpaths and controllers cannot be seen by VxVM.

VxVM 4.1 and later releases have the ability to discover EMCpower disks, and configure them as autodiscovered disks that DMP recognizes are under the control of a separate multi-pathing driver. This has the benefit of allowing such disks to be reconfigured in cluster-shareable disk groups. Before upgrading to VxVM 6.0.1, you must remove the suppression of the subpaths and controllers so that DMP can determine the association between EMCpower metadevices and `c#t#d#` disk devices.

In the following scenarios, you may need to unsuppress DMP subpaths and controllers:

- Converting a foreign disk  
See [“Converting a foreign disk to auto:simple”](#) on page 325.
- Converting a defined disk  
See [“Converting a defined disk to auto:simple”](#) on page 327.
- Converting a powervxvm disk  
See [“Converting a powervxvm disk to auto:simple”](#) on page 330.

Because emcpower disks are auto-discovered, the powervxvm script should be disabled and removed from the startup script. To remove the powervxvm script, use the command:

```
# powervxvm remove
```

## Converting a foreign disk to auto:simple

Release 4.0 of VxVM provided the `vxddladm addforeign` command to configure foreign disks with default disk offsets for the private and public regions, and to define them as simple disks. A foreign disk must be manually converted to `auto:simple` format before upgrading to VxVM 6.0.1.

If the foreign disk is defined on a slice other than `s2`, you must copy the partition entry for that slice to that for `s0` and change the tag. If the tag of the original slice is changed, the status of the disk is seen as `online:aliased` after the upgrade.

The following example is used to illustrate the procedure. The `vxdisk list` command can be used to display the EMCpower disks that are known to VxVM:

```
# vxdisk list
DEVICE          TYPE          DISK    GROUP  STATUS
c6t0d1l2s2     auto:sliced  -       -      online
emcpower10c    simple       fdisk   fdg    online
...
```

The `vxprint` command is used to display information about the disk group, `fdg`:

```
# vxprint
Disk group: fdg
TY NAME  ASSOC          KSTATE  LENGTH  PLOFFS  STATE  TUTILO  PUTILO
dg fdg   fdg           -       -       -       -       -
dm fdisk  emcpower10c  -       17673456 -       -       -
...
```

### To convert a foreign disk to `auto:simple` format

- 1 Stop all the volumes in the disk group, and then deport it:

```
# vxvol -g fdg stopall
# vxdg deport fdg
```

- 2 Use the `vxdldadm` command to remove definitions for the foreign devices:

```
# vxdldadm rmforeign blockpath=/dev/dsk/emcpower10c \
  charpath=/dev/rdisk/emcpower10c
```

If you now run the `vxdisk list` command, the EMCpower disk is no longer displayed:

```
# vxdisk list
DEVICE          TYPE          DISK  GROUP  STATUS
c6t0d12s2      auto:sliced   -     -      online
...
```

- 3 Run the `vxprtvtoc` command to retrieve the partition table entry for the device:

```
# /etc/vx/bin/vxprtvtoc -f /tmp/vtoc /dev/rdisk/emcpower10c
```

- 4 Use the `vxedvtoc` command to modify the partition tag and update the VTOC:

```
# /etc/vx/bin/vxedvtoc -f /tmp/vtoc /dev/rdisk/emcpower10c
```

```
# THE ORIGINAL PARTITIONING IS AS FOLLOWS:
```

```
# SLICE      TAG  FLAGS  START  SIZE
0           0x0  0x201  0      0
1           0x0  0x200  0      0
2           0x5  0x201  0      17675520
```

```
# THE NEW PARTITIONING WILL BE AS FOLLOWS:
```

```
# SLICE      TAG  FLAGS  START  SIZE
0           0xf  0x201  0      17675520
1           0x0  0x200  0      0
2           0x5  0x201  0      17675520
```

```
DO YOU WANT TO WRITE THIS TO THE DISK ? [Y/N] :Y
```

```
WRITING THE NEW VTOC TO THE DISK #
```

- 5 Upgrade to VxVM 6.0.1 using the appropriate upgrade procedure.

- 6 After upgrading VxVM, use the `vxdisk list` command to validate the conversion to `auto:simple` format:

```
# vxdisk list
DEVICE          TYPE          DISK  GROUP  STATUS
c6t0d12s2      auto:sliced   -    -      online
emcpower10s2   auto:simple   -    -      online
...
```

To display the physical device that is associated with the metadvice, `emcpower10s2`, enter the following command:

```
# vxddmpadm getsubpaths dmpnodename=emcpower10s2
```

- 7 Import the disk group and start the volumes:

```
# vxdg import fdg
# vxvol -g fdg startall
```

You can use the `vxdisk list` command to confirm that the disk status is displayed as `online:simple`:

```
# vxdisk list
DEVICE          TYPE          DISK  GROUP  STATUS
c6t0d12s2      auto:sliced   -    -      online
emcpower10s2   auto:simple   fdisk fdg   online
```

## Converting a defined disk to auto:simple

In VxVM 4.0, and particularly in prior releases, EMCpower disks could be defined by a persistent disk access record (`darec`), and identified as simple disks. If an EMCpower disk is defined with a persistent `darec`, it must be manually converted to `auto:simple` format before upgrading to VxVM 6.0.1.

If the defined disk is defined on a slice other than `s2`, you must copy the partition entry for that slice to that for `s0` and change the tag. If the tag of the original slice is changed, the status of the disk is seen as `online:aliased` after the upgrade.

The following example is used to illustrate the procedure. The `ls` command shows the mapping of the EMC disks to persistent disk access records:

```
# ls -l /dev/vx/dmp/emcdisk1
lrwxrwxrwx 1 root other 36 Sep 24 17:59 /dev/vx/dmp/emcdisk1->
/dev/dsk/c6t0d11s5
# ls -l /dev/vx/rdmp/emcdisk1
```

```
lrwxrwxrwx 1 root other 40Sep 24 17:59 /dev/vx/rdmp/emcdisk1->
/dev/dsk/c6t0d11s5
```

Here the fifth partition of `c6t0d11s5` is defined as the persistent disk access record `emcdisk1`.

The `vxdisk list` command can be used to display the EMCpower disks that are known to VxVM:

```
# vxdisk list
DEVICE          TYPE          DISK  GROUP  STATUS
c6t0d12s2      auto:sliced  -    -      online
emcdisk1       simple      fdisk fdg    online
...
```

The `vxprint` command is used to display information about the disk group, `fdg`:

```
# vxprint
Disk group: fdg
TY NAME      ASSOC      KSTATE  LENGTH  PLOFFS  STATE  TUTILO  PUTILO
dg fdg      fdg        -        -        -        -        -        -
dm fdisk    emcdisk1  -        17673456 -        -        -        -
...
```

### To convert a disk with a persistent disk access record to auto:simple format

- 1 Stop all the volumes in the disk group, and then deport it:

```
# vxvol -g fdg stopall
# vxdg deport fdg
```

- 2 Use the `vxdisk rm` command to remove the persistent record definitions:

```
# vxdisk rm emcdisk1
```

If you now run the `vxdisk list` command, the EMCpower disk is no longer displayed:

```
# vxdisk list
DEVICE          TYPE          DISK  GROUP  STATUS
c6t0d12s2      auto:sliced  -    -      online
...
```

- 3 Use the `vxprtvtoc` command to retrieve the partition table entry for the device:

```
# /etc/vx/bin/vxprtvtoc -f /tmp/hdisk /dev/rdisk/c6t0d11s2
```



**4** Use the `vxedvtoc` command to modify the partition tag and update the VTOC:

```
# /etc/vx/bin/vxedvtoc -f /tmp/hdisk /dev/rdisk/c6t0d11s2

# THE ORIGINAL PARTITIONING IS AS FOLLOWS:
# SLICE      TAG  FLAGS      START   SIZE
# 4          0x0  0x200      0       0
# 5          0x0  0x200    3591000 2100375
# 6          0x0  0x200      0       0

# THE NEW PARTITIONING WILL BE AS FOLLOWS:
# SLICE      TAG  FLAGS      START   SIZE
# 4          0x0  0x200      0       0
# 5          0xf  0x200    3591000 2100375
# 6          0x0  0x200      0       0

DO YOU WANT TO WRITE THIS TO THE DISK ? [Y/N] :Y
WRITING THE NEW VTOC TO THE DISK #
```

**5** Upgrade to VxVM 6.0.1 using the appropriate upgrade procedure.

- 6 After upgrading VxVM, use the `vxdisk list` command to validate the conversion to `auto:simple` format:

```
# vxdisk list
DEVICE          TYPE          DISK  GROUP  STATUS
c6t0d12s2      auto:sliced   -    -      online
emcpower10s2   auto:simple   -    -      online:aliased
...
```

To display the physical device that is associated with the metadvice, `emcpower10s2`, enter the following command:

```
# vxddmpadm getsubpaths dmpnodename=emcpower10s2
```

- 7 Import the disk group and start the volumes:

```
# vxdg import fdg
# vxvol -g fdg startall
```

You can use the `vxdisk list` command to confirm that the disk status is displayed as `online:simple`:

```
# vxdisk list
DEVICE          TYPE          DISK  GROUP  STATUS
c6t0d12s2      auto:sliced   -    -      online
emcpower10s2   auto:simple   fdisk fdg    online:aliased
```

To allow DMP to receive correct enquiry data, the common Serial Number (C-bit) Symmetrix Director parameter must be set to enabled.

## Converting a powervxvm disk to auto:simple

In VxVM 4.0, and particularly in prior releases, EMCpower disks could be defined by a persistent disk access record (darec) using `powervxvm` script, and identified as simple disks. If an EMCpower disk is used using `powervxvm`, it must be manually converted to `auto:simple` format before upgrading to VxVM 6.0.1.

If there are any controllers or devices that are suppressed from VxVM as `powervxvm` requirement, then such controllers/disks must be unsuppressed. This is required for Veritas DMP to determine the association between PowerPath metanodes and their subpaths. After the conversion to `auto:simple` is complete, the `powervxvm` script is no longer useful, and should be disabled from startup script.

The following example is used to illustrate the procedure. The `ls` command shows the mapping of the EMC disks to persistent disk access records:

```
# ls -l /dev/vx/rdmp/
crw----- 1 root    root      260, 76 Feb  7 02:36 emcpower0c
```

```
# vxdisk list
```

| DEVICE     | TYPE        | DISK     | GROUP | STATUS |
|------------|-------------|----------|-------|--------|
| c6t0d12s2  | auto:sliced | -        | -     | online |
| emcpower0c | simple      | ppdisk01 | ppdg  | online |

```
# vxprint
```

```
Disk group: fdg
```

| TY | NAME     | ASSOC      | KSTATE | LENGTH  | PLOFFS | STATE | TUTILO | PUTILO |
|----|----------|------------|--------|---------|--------|-------|--------|--------|
| dg | ppdg     | ppdg       | -      | -       | -      | -     | -      | -      |
| dm | ppdisk01 | emcpower0c | -      | 2094960 | -      | -     | -      | -      |

To convert an EMCpower disk (defined using powervxvm) to auto:simple format

1 Stop all the volumes in the disk group, and then deport it:

```
# vxvol -g ppdg stopall
# vxdg deport ppdg
```

2 Use the `vxdisk rm` command to remove all emcpower disks from VxVM:

```
# vxdisk rm emcpower0c
```

If you now run the `vxdisk list` command, the EMCpower disk is no longer displayed:

```
# vxdisk list
```

| DEVICE    | TYPE        | DISK | GROUP | STATUS |
|-----------|-------------|------|-------|--------|
| c6t0d12s2 | auto:sliced | -    | -     | online |

3 Use the `vxprtvtoc` command to retrieve the partition table entry for this device:

```
# /etc/vx/bin/vxprtvtoc -f /tmp/vtoc /dev/vx/rdmp/emcpower0c
```

**4 Use the `vxedvtoc` command to modify the partition tag and update the VTOC:**

```
# /etc/vx/bin/vxedvtoc -f /tmp/vtoc /dev/vx/rdmp/emcpower0c
# THE ORIGINAL PARTITIONING IS AS FOLLOWS:
# SLICE      TAG  FLAGS   START  SIZE
# 0          0x0  0x201   0      0
# 1          0x0  0x200   0      0
# 2          0x5  0x201   0      17675520

# THE NEW PARTITIONING WILL BE AS FOLLOWS:
# SLICE      TAG  FLAGS   START  SIZE
# 0          0xf  0x201   0      17675520
# 1          0x0  0x200   0      0
# 2          0x5  0x201   0      17675520

DO YOU WANT TO WRITE THIS TO THE DISK ? [Y/N] :Y
WRITING THE NEW VTOC TO THE DISK #
```

**5 Upgrade to VxVM 6.0.1 using the appropriate upgrade procedure.**

**6 After upgrading VxVM, use the `vxdisk list` command to validate the conversion to auto:simple format:**

```
# vxdisk list
```

| DEVICE      | TYPE        | DISK | GROUP | STATUS |
|-------------|-------------|------|-------|--------|
| c6t0d12s2   | auto:sliced | -    | -     | online |
| emcpower0s2 | auto:simple | -    | -     | online |

**7 Import the disk group and start the volumes.**

```
# vxdg import ppdg
# vxvol -g ppdg startall
# vxdisk list
```

| DEVICE      | TYPE        | DISK     | GROUP | STATUS |
|-------------|-------------|----------|-------|--------|
| c6t0d12s2   | auto:sliced | -        | -     | online |
| emcpower0s2 | auto:simple | ppdisk01 | ppdg  | online |

## Converting from QuickLog to Multi-Volume support

The 4.1 release of the Veritas File System is the last major release to support QuickLog. The Version 6 and later disk layouts do not support QuickLog. The

functionality provided by the Veritas Multi-Volume Support (MVS) feature replaces most of the functionality provided by QuickLog.

The following procedure describes how to convert from QuickLog to MVS. Unlike QuickLog, which allowed logging of up to 31 VxFS file systems to one device, MVS allows intent logging of only one file system per device. Therefore, the following procedure must be performed for each file system that is logged to a QuickLog device if the Version 6 or later disk layout is used.

The QuickLog device did not need to be related to the file system. For MVS, the log volume and the file system volume must be in the same disk group.

### To convert Quicklog to MVS

- 1 Select a QuickLog-enabled file system to convert to MVS and unmount it.

```
# umount myfs
```

- 2 Detach one of the QuickLog volumes from the QuickLog device that the file system had been using. This volume will be used as the new intent log volume for the file system.

```
# qloddetach -g diskgroup log_vol
```

- 3 Create the volume set.

```
# vxvset make myvset myfs_volume
```

- 4 Mount the volume set.

```
# mount -F vxfs /dev/vx/dsk/rootdg/myvset /mnt1
```

- 5 Upgrade the volume set's file system to the Version 7 or later disk layout.

For example:

```
# vxupgrade -n 9 /mnt1
```

- 6 Add the log volume from step 2 to the volume set.

```
# vxvset addvol myvset log_vol
```

- 7 Add the log volume to the file system. The size of the volume must be specified.

```
# fsvoladm add /mnt1 log_vol 50m
```

- 8 Move the log to the new volume.

```
# fsadm -o logdev=log_vol,logsize=16m /mnt1
```

## About enabling LDAP authentication for clusters that run in secure mode

Symantec Product Authentication Service (AT) supports LDAP (Lightweight Directory Access Protocol) user authentication through a plug-in for the authentication broker. AT supports all common LDAP distributions such as OpenLDAP and Windows Active Directory.

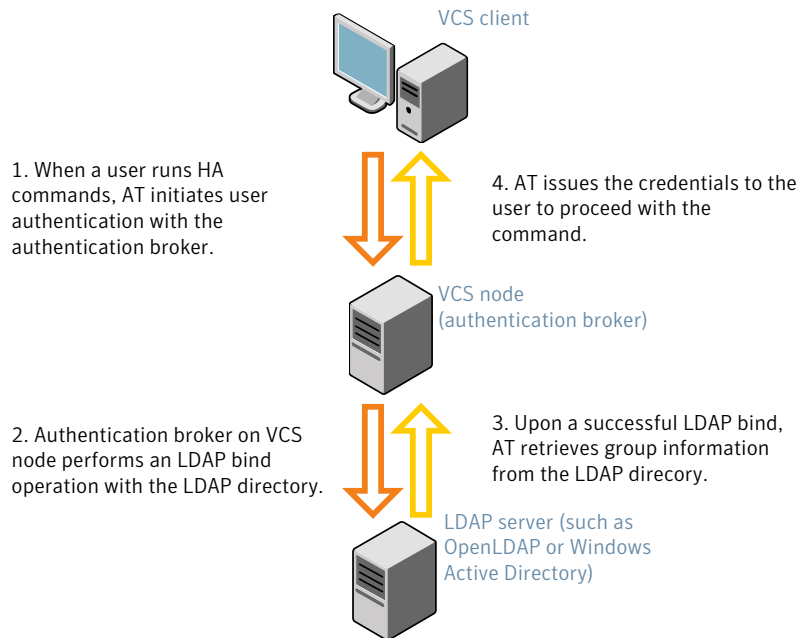
For a cluster that runs in secure mode, you must enable the LDAP authentication plug-in if the VCS users belong to an LDAP domain.

If you have not already added VCS users during installation, you can add the users later.

See the *Veritas Cluster Server Administrator's Guide* for instructions to add VCS users.

[Figure 23-1](#) depicts the SFHA cluster communication with the LDAP servers when clusters run in secure mode.

**Figure 23-1** Client communication with LDAP servers



The LDAP schema and syntax for LDAP commands (such as `ldapadd`, `ldapmodify`, and `ldapsearch`) vary based on your LDAP implementation.

Before adding the LDAP domain in Symantec Product Authentication Service, note the following information about your LDAP environment:

- The type of LDAP schema used (the default is RFC 2307)
  - UserObjectClass (the default is `posixAccount`)
  - UserObject Attribute (the default is `uid`)
  - User Group Attribute (the default is `gidNumber`)
  - Group Object Class (the default is `posixGroup`)
  - GroupObject Attribute (the default is `cn`)
  - Group GID Attribute (the default is `gidNumber`)
  - Group Membership Attribute (the default is `memberUid`)
- URL to the LDAP Directory
- Distinguished name for the user container (for example, `UserBaseDN=ou=people,dc=comp,dc=com`)

- Distinguished name for the group container (for example, GroupBaseDN=ou=group,dc=comp,dc=com)

## Enabling LDAP authentication for clusters that run in secure mode

The following procedure shows how to enable the plug-in module for LDAP authentication. This section provides examples for OpenLDAP and Windows Active Directory LDAP distributions.

Before you enable the LDAP authentication, complete the following steps:

- Make sure that the cluster runs in secure mode.

```
# haclus -value SecureClus
```

The output must return the value as 1.

- Make sure that the AT version is 6.1.6.0 or later.

```
# /opt/VRTSvcs/bin/vcsauth/vcsauthserver/bin/vssat showversion
vssat version: 6.1.6.0
```

### To enable OpenLDAP authentication for clusters that run in secure mode

- 1 Run the LDAP configuration tool `atldapconf` using the `-d` option. The `-d` option discovers and retrieves an LDAP properties file which is a prioritized attribute list.

```
# /opt/VRTSvcs/bin/vcsauth/vcsauthserver/bin/atldapconf \
-d -s domain_controller_name_or_ipaddress -u domain_user
```

Attribute list file name not provided, using AttributeList.txt

Attribute file created.

You can use the `cat` command to view the entries in the attributes file.

- 2 Run the LDAP configuration tool `atldapconf` using the `-c` option. The `-c` option creates a CLI file to add the LDAP domain.

```
# /opt/VRTSvcs/bin/vcsauth/vcsauthserver/bin/atldapconf \
-c -d windows_domain_name
```

Attribute list file not provided, using default AttributeList.txt

CLI file name not provided, using default CLI.txt

CLI for addldapdomain generated.



- 3 Run the LDAP configuration tool `atldapconf` using the `-x` option. The `-x` option reads the CLI file and executes the commands to add a domain to the AT.

```
# /opt/VRTSvcs/bin/vcsauth/vcsauthserver/bin/atldapconf -x
```

```
Using default broker port 2821
```

```
CLI file not provided, using default CLI.txt
```

```
Looking for AT installation...
```

```
AT found installed at ./vssat
```

```
Successfully added LDAP domain.
```

- 4 Check the AT version and list the LDAP domains to verify that the Windows Active Directory server integration is complete.

```
# /opt/VRTSvcs/bin/vcsauth/vcsauthserver/bin/vssat showversion
vssat version: 6.1.12.0

# /opt/VRTSvcs/bin/vcsauth/vcsauthserver/bin/vssat listldapdomains
Domain Name : mydomain.com
Server URL : ldap://192.168.20.32:389
SSL Enabled : No
User Base DN : CN=people,DC=mydomain,DC=com
User Object Class : account
User Attribute : cn
User GID Attribute : gidNumber
Group Base DN : CN=group,DC=symantecdomain,DC=com
Group Object Class : group
Group Attribute : cn
Group GID Attribute : cn
Auth Type : FLAT
Admin User :
Admin User Password :
Search Scope : SUB
```

- 5 Check the other domains in the cluster.

```
# /opt/VRTSvcs/bin/vcsauth/vcsauthserver/bin/vssat showdomains -p vx
```

The command output lists the number of domains that are found, with the domain names and domain types.

## 6 Generate credentials for the user.

```
# unset EAT_LOG

# /opt/VRTSvcs/bin/vcsauth/vcsauthserver/bin/vssat authenticate \
-d ldap:windows_domain_name -p user_name -s user_password -b \
localhost:14149
```

**7** Add non-root users as applicable.

```
# useradd user1

# passwd pw1

Changing password for "user1"

user1's New password:

Re-enter user1's new password:

# su user1

# bash

# id

uid=204(user1) gid=1(staff)

# pwd

# mkdir /home/user1

# chown user1 /home/ user1
```

- 8 Log in as non-root user and run `ha` commands as LDAP user.

```
# cd /home/user1

# ls

# cat .vcspwd

101 localhost mpise LDAP_SERVER ldap

# unset VCS_DOMAINTYPE

# unset VCS_DOMAIN

# /opt/VRTSvcs/bin/hasys -state

#System      Attribute      Value
cluster1:sysA  SysState      FAULTED
cluster1:sysB  SysState      FAULTED
cluster2:sysC  SysState      RUNNING
cluster2:sysD  SysState      RUNNING
```

## Verifying the Storage Foundation and High Availability upgrade

Refer to the section about verifying the installation to verify the upgrade.

See [“Verifying that the products were installed”](#) on page 345.

# Post-installation tasks

- [Chapter 24. Performing post-installation tasks](#)
- [Chapter 25. Verifying the SFHA installation](#)

# Performing post-installation tasks

This chapter includes the following topics:

- [Changing root user into root role](#)

## Changing root user into root role

On Oracle Solaris 11, to perform installation, you need to create root user. This means that a local user cannot assume the root role. After installation, you may want to turn root user into root role for a local user, who can log in as root.

1. Log in as root user.
2. Change the root account into role:

```
# rolemod -K type=role root
# getent user_attr root
```

```
root:::type=role;auths=solaris.*;profiles=All;audit_flags=lo\
:no;lock_after_retries=no;min_label=admin_low;clearance=admin_high
```

3. Assign the root role to a local user who was unassigned the role:

```
# usermod -R root admin
```

For more information, see the Oracle documentation on Oracle Solaris 11 operating system.

# Verifying the SFHA installation

This chapter includes the following topics:

- [Performing a postcheck on a node](#)
- [Verifying that the products were installed](#)
- [Installation log files](#)
- [Starting and stopping processes for the Veritas products](#)
- [Checking Veritas Volume Manager processes](#)
- [Checking Veritas File System installation](#)
- [Verifying the LLT, GAB, and VCS configuration files](#)
- [Verifying LLT, GAB, and cluster operation](#)

## Performing a postcheck on a node

The installer's `postcheck` command can help you to determine installation-related problems and provide troubleshooting information.

See [“About using the postcheck option”](#) on page 416.

**To run the postcheck command on a node**

- 1 Run the installer with the `-postcheck` option.

```
# ./installer -postcheck system_name
```

- 2 Review the output for installation-related information.



## Verifying that the products were installed

Verify that the SFHA products are installed.

Use the `pkginfo` (Solaris 10) or `pkg info` (Solaris 11) command to check which packages have been installed.

Solaris 10:

```
# pkginfo -l VRTSvlic package_name package_name ...
```

Solaris 11:

```
# pkg info -l VRTSvlic package_name package_name
```

You can verify the version of the installed product. Use the following command:

```
# /opt/VRTS/install/installsfha<version>
```

Where `<version>` is the specific release version.

See [“About the Veritas installer”](#) on page 40.

Use the following sections to further verify the product installation.

## Installation log files

After every product installation, the installer creates three text files:

- Installation log file
- Response file
- Summary file

The name and location of each file is displayed at the end of a product installation, and are always located in the `/opt/VRTS/install/logs` directory. It is recommended that you keep the files for auditing, debugging, and future use.

## Using the installation log file

The installation log file contains all commands executed during the procedure, their output, and errors generated by the commands. This file is for debugging installation problems and can be used for analysis by Veritas Support.

## Using the summary file

The summary file contains the results of the installation by the installer or product installation scripts. The summary includes the list of the packages, and the status

(success or failure) of each package. The summary also indicates which processes were stopped or restarted during the installation. After installation, refer to the summary file to determine whether any processes need to be started.

## Starting and stopping processes for the Veritas products

After the installation and configuration is complete, the Veritas product installer starts the processes that are used by the installed products. You can use the product installer to stop or start the processes, if required.

### To stop the processes

- ◆ Use the `-stop` option to stop the product installation script.

For example, to stop the product's processes, enter the following command:

```
# ./installer -stop
```

or

```
# /opt/VRTS/install/installsfha<version> -stop
```

Where `<version>` is the specific release version.

See [“About the Veritas installer”](#) on page 40.

### To start the processes

- ◆ Use the `-start` option to start the product installation script.

For example, to start the product's processes, enter the following command:

```
# ./installer -start
```

or

```
# /opt/VRTS/install/installsfha<version> -start
```

Where `<version>` is the specific release version.

See [“About the Veritas installer”](#) on page 40.

## Checking Veritas Volume Manager processes

Use the following procedure to verify that Volume Manager processes are running.

**To confirm that key Volume Manager processes are running**

- ◆ Type the following command:

```
# ps -ef | grep vx
```

Entries for the `vxconfigd`, `vxnotify`, `vxesd`, `vxrelocd`, `vxcached`, and `vxconfigbackupd` processes should appear in the output from this command. If you disable hot-relocation, the `vxrelocd` and `vxnotify` processes are not displayed.

For more details on hot relocation, see *Veritas Storage Foundation and High Availability Administrator's Guide*.

## Checking Veritas File System installation

The Veritas File System package consists of a kernel component and administrative commands.

### Verifying Veritas File System kernel installation

To ensure that the file system driver is loaded, enter:

```
# modinfo | grep vxfs
```

The `modinfo` command displays information about all modules loaded on the system. If the `vxfs` module is loaded, you will see an entry corresponding to `vxfs`. If not, follow the instructions load and then unload the file system module to complete the process.

### Verifying command installation

[Table 25-1](#) lists the directories with Veritas File System commands.

**Table 25-1** VxFS command locations

| Location                          | Contents  |
|-----------------------------------|---|
| <code>/etc/fs/vxfs</code>         | Contains the Veritas <code>mount</code> command and QuickLog commands required to mount file systems. |
| <code>/usr/lib/fs/vxfs/bin</code> | Contains the VxFS type-specific switch-out commands.  |
| <code>/opt/VRTSvxfs/sbin</code>   | Contains the Veritas-specific commands.   |
| <code>/opt/VRTS/bin</code>        | Contains symbolic links to all Veritas-specific commands installed in the directories listed above.   |

Determine whether these subdirectories are present:

```
# ls /etc/fs/vxfs
# ls /usr/lib/fs/vxfs/bin
# ls /opt/VRTSvxfs/sbin
# ls /opt/VRTS/bin
```

Make sure you have adjusted the environment variables accordingly.

See [“Setting environment variables”](#) on page 57.

## Verifying the LLT, GAB, and VCS configuration files

Make sure that the LLT, GAB, and VCS configuration files contain the information you provided during VCS installation and configuration.

### To verify the LLT, GAB, and VCS configuration files

1 Navigate to the location of the configuration files:

- LLT  
/etc/llhosts  
/etc/lltab
- GAB  
/etc/gabtab
- VCS  
/etc/VRTSvcs/conf/config/main.cf

2 Verify the content of the configuration files.

See [“About the LLT and GAB configuration files”](#) on page 431.

See [“About the VCS configuration files”](#) on page 435.

## Verifying LLT, GAB, and cluster operation

Verify the operation of LLT, GAB, and the cluster using the VCS commands.

### To verify LLT, GAB, and cluster operation

1 Log in to any node in the cluster as superuser.

2 Make sure that the PATH environment variable is set to run the VCS commands.

3 Verify LLT operation.

See [“Verifying LLT”](#) on page 349.

- 4 Verify GAB operation.
- 5 Verify the cluster operation.  
See [“Verifying the cluster”](#) on page 351.

## Verifying LLT

Use the `lltstat` command to verify that links are active for LLT. If LLT is configured correctly, this command shows all the nodes in the cluster. The command also returns information about the links for LLT for the node on which you typed the command.

Refer to the `lltstat(1M)` manual page for more information.

### To verify LLT

- 1 Log in as superuser on the node `sys1`.
- 2 Run the `lltstat` command on the node `sys1` to view the status of LLT.

```
lltstat -n
```

The output on `sys1` resembles:

```
LLT node information:
Node           State      Links
*0 sys1       OPEN      2
 1 sys2       OPEN      2
```

Each node has two links and each node is in the OPEN state. The asterisk (\*) denotes the node on which you typed the command.

If LLT does not operate, the command does not return any LLT links information: If only one network is connected, the command returns the following LLT statistics information:

```
LLT node information:
Node           State      Links
* 0 sys1       OPEN      2
 1 sys2       OPEN      2
 2 sys5       OPEN      1
```

- 3 Log in as superuser on the node `sys2`.
- 4 Run the `lltstat` command on the node `sys2` to view the status of LLT.

```
lltstat -n
```

The output on sys2 resembles:

```
LLT node information:
Node           State           Links
  0 sys1       OPEN            2
 *1 sys2       OPEN            2
```

- 5 To view additional information about LLT, run the `lltstat -nvv` command on each node.

For example, run the following command on the node sys1 in a two-node cluster:

```
lltstat -nvv active
```

The output on sys1 resembles the following:

- For Solaris SPARC:

```
Node           State           Link           Status           Address
 *0 sys1       OPEN
                bge1 UP           08:00:20:93:0E:34
                bge2 UP           08:00:20:93:0E:38
  1 sys2       OPEN
                bge1 UP           08:00:20:8F:D1:F2
                bge2 DOWN
```

- For Solaris x64:

```
Node           State           Link           Status           Address
 *0 sys1       OPEN
                e1000g:1 UP       08:00:20:93:0E:34
                e1000g:2 UP       08:00:20:93:0E:38
  1 sys2       OPEN
                e1000g:1 UP       08:00:20:8F:D1:F2
                e1000g:2 DOWN
```

The command reports the status on the two active nodes in the cluster, sys1 and sys2.

For each correctly configured node, the information must show the following:

- A state of OPEN
- A status for each link of UP
- An address for each link

However, the output in the example shows different details for the node sys2. The private network connection is possibly broken or the information in the `/etc/llttab` file may be incorrect.

- 6 To obtain information about the ports open for LLT, type `lltstat -p` on any node.

For example, type `lltstat -p` on the node sys1 in a two-node cluster:

```
lltstat -p
```

The output resembles:

```
LLT port information:
  Port  Usage      Cookie
  ----  -
  0     gab        0x0
        opens:   0 2 3 4 5 6 7 8 9 10 11 ... 60 61 62 63
        connects: 0 1
  7     gab        0x7
        opens:   0 2 3 4 5 6 7 8 9 10 11 ... 60 61 62 63
        connects: 0 1
  31    gab        0x1F
        opens:   0 2 3 4 5 6 7 8 9 10 11 ... 60 61 62 63
        connects: 0 1
```

## Verifying the cluster

Verify the status of the cluster using the `hastatus` command. This command returns the system state and the group state.

Refer to the `hastatus(1M)` manual page.

Refer to the *Veritas Cluster Server Administrator's Guide* for a description of system states and the transitions between them.

### To verify the cluster

- 1 To verify the status of the cluster, type the following command:

```
# hastatus -summary
```

The output resembles:

```
-- SYSTEM STATE
-- System                State                Frozen

A  sys1                  RUNNING              0
A  sys2                  RUNNING              0

-- GROUP STATE
-- Group                 System          Probed  AutoDisabled  State
```

- 2 Review the command output for the following information:
  - The system state  
If the value of the system state is RUNNING, the cluster is successfully started.

## Verifying the cluster nodes

Verify the information of the cluster systems using the `hasys -display` command. The information for each node in the output should be similar.

Refer to the `hasys (1M)` manual page.

Refer to the *Veritas Cluster Server Administrator's Guide* for information about the system attributes for VCS.

---

**Note:** The example in the following procedure is for SPARC. x64 clusters have different command output.

---

### To verify the cluster nodes

- ◆ On one of the nodes, type the `hasys -display` command:

```
# hasys -display
```

The example shows the output when the command is run on the node `sys1`. The list continues with similar information for `sys2` (not shown) and any other nodes in the cluster.



| #System | Attribute          | Value   |
|---------|--------------------|---|
| sys1    | AgentsStopped      | 0   |
| sys1    | AvailableCapacity  | 100   |
| sys1    | CPUBinding         | BindTo None CPUNumber 0   |
| sys1    | CPUThresholdLevel  | Critical 90 Warning 80 Note 70<br>Info 60   |
| sys1    | CPUUsage           | 0   |
| sys1    | CPUUsageMonitoring | Enabled 0 ActionThreshold 0<br>ActionTimeLimit 0 Action NONE<br>NotifyThreshold 0 NotifyTimeLimit 0 |
| sys1    | Capacity           | 100   |
| sys1    | ConfigBlockCount   | 130   |
| sys1    | ConfigChecksum     | 46688   |
| sys1    | ConfigDiskState    | CURRENT   |
| sys1    | ConfigFile         | /etc/VRTSvcs/conf/config  |
| sys1    | ConfigInfoCnt      | 0   |
| sys1    | ConfigModDate      | Mon Sep 03 07:14:23 CDT 2012  |
| sys1    | ConnectorState     | Up  |
| sys1    | CurrentLimits      |   |
| sys1    | DiskHbStatus       |   |
| sys1    | DynamicLoad        | 0   |
| sys1    | EngineRestarted    | 0   |
| sys1    | EngineVersion      | 6.0.10.0  |
| sys1    | FencingWeight      | 0   |
| sys1    | Frozen             | 0   |
| sys1    | GUIIPAddr          |   |
| sys1    | HostUtilization    | CPU 0 Swap 0  |

```

sys1      LLTNodeId      0
sys1      LicenseType    PERMANENT_SITE
sys1      Limits
sys1      LinkHbStatus   bge1 UP bge2 UP
sys1      LoadTimeCounter 0
sys1      LoadTimeThreshold 600
sys1      LoadWarningLevel 80
sys1      NoAutoDisable  0
sys1      NodeId        0
sys1      OnGrpCnt       7
sys1      PhysicalServer
sys1      ShutdownTimeout 600
sys1      SourceFile     ./main.cf
sys1      SwapThresholdLevel Critical 90 Warning 80 Note 70
Info 60
sys1      SysInfo        Solaris:sys1,Generic_
118558-11,5.9,sun4u
sys1      SysName        sys1
sys1      SysState       RUNNING
sys1      SystemLocation
sys1      SystemOwner
sys1      SystemRecipients
sys1      TFrozen        0
sys1      TRSE           0
sys1      UpDownState    Up
sys1      UserInt        0
sys1      UserStr

```

|      |             |     |
|------|-------------|-----|
| sys1 | VCSFeatures | DR  |
| sys1 | VCSMode     | VCS |

# Uninstallation of SFHA

- [Chapter 26. Uninstalling Storage Foundation and High Availability](#)
- [Chapter 27. Uninstalling SFHA using response files](#)

# Uninstalling Storage Foundation and High Availability

This chapter includes the following topics:

- [About removing Storage Foundation and High Availability](#)
- [Preparing to uninstall](#)
- [Disabling VCS agents for VVR the agents on a system](#)
- [Removing the Replicated Data Set](#)
- [Uninstalling SFHA packages using the script-based installer](#)
- [Uninstalling SFHA with the Veritas Web-based installer](#)
- [Uninstalling Storage Foundation and High Availability using the pkgm or pkg uninstall command](#)
- [Removing the CP server configuration using the installer program](#)
- [Removing the Storage Foundation for Databases \(SFDB\) repository after removing the product](#)

## About removing Storage Foundation and High Availability

This section covers uninstallation requirements and steps to uninstall the Veritas software.

Only users with superuser privileges can uninstall Storage Foundation and High Availability.

---

**Warning:** Failure to follow the instructions in the following sections may result in unexpected behavior.

---

## Preparing to uninstall

Review the following removing the Veritas software.

### Preparing to remove Veritas Volume Manager

This section describes the steps you need to take before removing Veritas Volume Manager (VxVM) to preserve the contents of the volumes.

---

**Warning:** Failure to follow the preparations in this section might result in unexpected behavior.

---

#### **Moving volumes from an encapsulated root disk**

Use the following procedure to move volumes from an encapsulated root disk.

### To uninstall VxVM if `root`, `swap`, `usr`, or `var` is a volume under Volume Manager control

- 1 Ensure that the `rootvol`, `swapvol`, `usr`, and `var` volumes have only one associated plex each.

The plex must be contiguous, non-striped, non-spanned, and non-sparse. To obtain this information, enter the following:

```
# vxprint -ht rootvol swapvol usr var
```

If any of these volumes have more than one associated plex, remove the unnecessary plexes using the following command:

```
# vxplex -o rm dis plex_name
```

- 2 Run the `vxunroot` command:

```
# /etc/vx/bin/vxunroot
```

The `vxunroot` command changes the volume entries in `/etc/vfstab` to the underlying disk partitions for `rootvol`, `swapvol`, `usr`, and `var`. It also modifies `/etc/system` and prompts for a reboot so that disk partitions are mounted instead of volumes for `root`, `swap`, `usr`, and `var`.

- 3 Once you have changed the `root`, `swap`, `usr`, and `var` volumes, move all remaining volumes to disk partitions.

You can do this using one of the following procedures:

- Back up the entire system to tape and then recover from tape.
- Back up each file system individually and then recover them all after creating new file systems on disk partitions.
- Move volumes incrementally to disk partitions.  
See [“Moving volumes to disk partitions”](#) on page 359.  
Otherwise, shut down VxVM.

## Moving volumes to disk partitions

Use the following procedure to move volumes incrementally to disk partitions.

### To move volumes incrementally to disk partitions

- 1 Evacuate disks using `vxdiskadm`, the VOM GUI, or the `vxevac` utility.

Evacuation moves subdisks from the specified disks to target disks. The evacuated disks provide the initial free disk space for volumes to be moved to disk partitions.

- 2 Remove the evacuated disks from VxVM control by entering:

```
# vxdg rmdisk diskname
# vxdisk rm devname
```

- 3 Decide which volume to move first, and if the volume is mounted, unmount it.
- 4 If the volume is being used as a raw partition for database applications, make sure that the application is not updating the volume and that you have applied the `sync` command to the data on the volume.
- 5 Create a partition on free disk space of the same size as the volume using the `format` command.

If there is not enough free space for the partition, add a new disk to the system for the first volume removed. Subsequent volumes can use the free space generated by the removal of this first volume.

- 6 Copy the data on the volume onto the newly created disk partition using a command such as `dd`.

```
# dd if=/dev/vx/dsk/diskgroup/lhome of=/dev/dsk/c2t2d2s7
```

where `c2t2d2` is the disk outside of Volume Manager and `s7` is the newly created partition.

- 7 Replace the entry for that volume (if present) in `/etc/vfstab` with an entry for the newly created partition.
- 8 Mount the disk partition if the corresponding volume was previously mounted.
- 9 Stop and remove the volume from VxVM using the commands.

```
# vxvol -g diskgroup stop volume_name
# vxedit -rf rm volume_name
```



- 10** Remove any free disks (those having no subdisks defined on them) by removing the volumes from VxVM control.

To check if there are still some subdisks remaining on a particular disk, use the `vxprint` command.

```
# vxprint -g diskgroup -F '%sdnum' diskname
```

If the output is not 0, there are still some subdisks on this disk that you need to remove. If the output is 0, remove the disk from VxVM control.

```
# vxdg rmdisk diskname
# vxdisk rm devname
```

Use the free space created for adding the data from the next volume you want to remove.

- 11** After you successfully convert all volumes into disk partitions, reboot the system.
- 12** After the reboot, make sure none of the volumes are open by using the `vxprint` command.

```
# vxprint -Aht -e v_open
```

- 13** If any volumes remain open, repeat the steps listed above.

## Example of moving volumes to disk partitions on Solaris

This example shows how to move the data on a volume to a disk partition. In the example, there are three disks: `disk1` and `disk2` are subdisks on volume `vol101` and `disk3` is a free disk. The data on `vol101` is copied to `disk3` using `vxevac`.

These are the contents of the disk group `voldg` before the data on `vol101` is copied to `disk3`.

```
# vxprint -g voldg -ht
DG NAME  NCONFIG  NLOG    MINORS  GROUP-ID
DM NAME  DEVICE   TYPE    PRIVLEN PUBLEN  STATE
RV NAME  RLINK_CNT KSTATE  STATE   PRIMARY DATAVOLS  SRL
RL NAME  RVG      KSTATE  STATE   REM_HOST REM_DG    REM_RLNK
V  NAME  RVG      KSTATE  STATE   LENGTH  READPOL  PREFPLEX  UTYPE
PL NAME  VOLUME   KSTATE  STATE   LENGTH  LAYOUT   NCOL/WID  MODE
SD NAME  PLEX     DISK    DISKOFFS LENGTH  [COL/]OFF DEVICE    MODE
SV NAME  PLEX     VOLNAME NVOLLAYR LENGTH  [COL/]OFF AM/NM     MODE
DC NAME  PARENTVOL LOGVOL
SP NAME  SNAPVOL  DCO
```

```
dg voldg default      default 115000
1017856044.1141.hostname.veritas.com
```

```
dm disk1 c1t12d0s2 sliced 2591      17900352 -
dm disk2 c1t14d0s2 sliced 2591      17899056 -
dm disk3 c1t3d0s2  sliced 2591      17899056 -
```

```
v  vol1 -            ENABLED ACTIVE  4196448 ROUND      -          fsgen
pl pl1  vol1        ENABLED ACTIVE  4196448 CONCAT    -          RW
sd sd1  pl1         disk1  0          2098224  0          c1t12d0  ENA
sd sd2  pl1         disk2  0          2098224  2098224   c1t14d0  ENA
```

**Evacuate disk1 to disk3.**

```
# /etc/vx/bin/vxevac -g voldg disk1 disk3
# vxprint -g voldg -ht
```

```
DG NAME  NCONFIG      NLOG      MINORS   GROUP-ID
DM NAME  DEVICE       TYPE      PRIVLEN  PUBLLEN  STATE
RV NAME  RLINK_CNT    KSTATE    STATE    PRIMARY  DATAVOLS  SRL
RL NAME  RVG          KSTATE    STATE    REM_HOST  REM_DG     REM_RLNK
V  NAME  RVG          KSTATE    STATE    LENGTH   READPOL    PREFPLEX  UTYPE
PL NAME  VOLUME      KSTATE    STATE    LENGTH   LAYOUT     NCOL/WID  MODE
SD NAME  PLEX        DISK      DISKOFFS LENGTH   [COL/]OFF DEVICE     MODE
SV NAME  PLEX        VOLNAME   NVOLLAYR LENGTH   [COL/]OFF AM/NM    MODE
DC NAME  PARENTVOL   LOGVOL
SP NAME  SNAPVOL     DCO
```

```
dg voldg default      default 115000
1017856044.1141.hostname.veritas.com
```

```
dm disk1 c1t12d0s2 sliced 2591      17900352 -
dm disk2 c1t14d0s2 sliced 2591      17899056 -
dm disk3 c1t3d0s2 sliced 2591      17899056 -
```

```
v  vol1 -            ENABLED ACTIVE  4196448 ROUND      -          fsgen
pl pl1  vol1        ENABLED ACTIVE  4196448 CONCAT    -          RW
sd disk3-0111 disk3  0          2098224  0          c1t3d0  ENA
sd sd2  pl1         disk2  0          2098224  2098224   c1t14d0  ENA
```

**Evacuate disk2 to disk3.**

```
# /etc/vx/bin/vxevac -g voldg disk2 disk3
# vxprint -g voldg -ht
```

```

DG NAME      NCONFIG  NLOG    MINORS  GROUP-ID
DM NAME      DEVICE   TYPE    PRIVLEN PUBLEN  STATE
RV NAME      RLINK_CNT KSTATE  STATE   PRIMARY DATAVOLS  SRL
RL NAME      RVG      KSTATE  STATE   REM_HOST REM_DG    REM_RLNK
V  NAME      RVG      KSTATE  STATE   LENGTH  READPOL  PREFPLEX  UTYPE
PL NAME      VOLUME   KSTATE  STATE   LENGTH  LAYOUT   NCOL/WID  MODE
SD NAME      PLEX     DISK    DISKOFFS LENGTH  [COL/]OFF DEVICE  MODE
SV NAME      PLEX     VOLNAME NVOLLAYR LENGTH  [COL/]OFF AM/NM   MODE
DC NAME      PARENTVOL LOGVOL
SP NAME      SNAPVOL  DCO

```

```

dg voldg     default  default 115000
1017856044.1141.hostname.veritas.com

```

```

dm disk1     c1t12d0s2 sliced  2591   17900352 -
dm disk2     c1t14d0s2 sliced  2591   17899056 -
dm disk3     c1t3d0s2  sliced  2591   17899056 -

```

```

v  voll      -          ENABLED ACTIVE  4196448  ROUND  -      fsgen
pl pl1      voll      ENABLED ACTIVE  4196448  CONCAT -      RW
sd disk3-01 pl1       disk3     0        2098224  0      c1t3d0  ENA
sd disk3-02 pl1       disk3     2098224 2098224 2098224 c1t3d0  ENA

```

Remove the evacuated disks from VxVM control.

```
# vxdisk -g voldg list
```

```

DEVICE      TYPE    DISK          GROUP    STATUS
c1t3d0s2    sliced disk3          voldg    online
c1t12d0s2    sliced disk1          voldg    online
c1t14d0s2    sliced disk2          voldg    online

```

```

# vxdg rmdisk disk1
# vxdg rmdisk disk2
# vxdisk rm c1t12d0
# vxdisk rm c1t14d0

```

Verify that the evacuated disks have been removed from VxVM control.

```
# vxdisk -g voldg list
```

```

DEVICE      TYPE    DISK          GROUP    STATUS
c1t3d0s2    sliced disk3          voldg    online

```

Check to see whether the volume you want to move first is mounted.

```
# mount | grep voll
/voll on /dev/vx/dsk/voldg/voll
read/write/setuid/log/nolargefiles/dev=12dc138 on Wed Apr
3 10:13:11 2002
```

Create a partition on free disk space of the same size as the volume. In this example, a 2G partition is created on disk1 (c1t12d0s1).

```
# format
Searching for disks...done

AVAILABLE DISK SELECTIONS:
  0. c0t0d0 <SUN9.0G cyl 4924 alt 2 hd 27 sec 133>
    /sbus@1f,0/SUNW,fas@e,8800000/sd@0,0
  1. c1t3d0 <QUANTUM-ATLASIV9SCA-0808 cyl 13814 alt 2 hd 4 sec 324>
    /sbus@1f,0/SUNW,fas@2,8800000/sd@3,0
  2. c1t9d0 <QUANTUM-ATLASIV9SCA-0808 cyl 13814 alt 2 hd 4 sec 324>
    /sbus@1f,0/SUNW,fas@2,8800000/sd@9,0
  3. c1t10d0 <QUANTUM-ATLASIV9SCA-0808 cyl 13814 alt 2 hd 4 sec 324>
    /sbus@1f,0/SUNW,fas@2,8800000/sd@a,0
  4. c1t11d0 <QUANTUM-ATLASIV9SCA-0808 cyl 13814 alt 2 hd 4 sec 324>
    /sbus@1f,0/SUNW,fas@2,8800000/sd@b,0
  5. c1t12d0 <QUANTUM-ATLASIV9SCA-0808 cyl 13814 alt 2 hd 4 sec 324>
    /sbus@1f,0/SUNW,fas@2,8800000/sd@c,0
  6. c1t14d0 <QUANTUM-ATLASIV9SCA-0808 cyl 13814 alt 2 hd 4 sec 324>
    /sbus@1f,0/SUNW,fas@2,8800000/sd@e,0
  7. c1t15d0 <QUANTUM-ATLASIV9SCA-0808 cyl 13814 alt 2 hd 4 sec 324>
    /sbus@1f,0/SUNW,fas@2,8800000/sd@f,0

Specify disk (enter its number): 5
selecting c1t12d0
[disk formatted]
```

```
FORMAT MENU:
disk          - select a disk
type          - select (define) a disk type
partition    - select (define) a partition table
current      - describe the current disk
format       - format and analyze the disk
repair       - repair a defective sector
label        - write label to the disk
analyze      - surface analysis
defect       - defect list management
backup       - search for backup labels
verify       - read and display labels
```

```

save          - save new disk/partition definitions
inquiry      - show vendor, product and revision
volname      - set 8-character volume name
!<cmd>      - execute <cmd>, then return
quit
format> p

PARTITION MENU:
0          - change '0' partition
1          - change '1' partition
2          - change '2' partition
3          - change '3' partition
4          - change '4' partition
5          - change '5' partition
6          - change '6' partition
7          - change '7' partition
select     - select a predefined table
modify     - modify a predefined partition table
name       - name the current table
print      - display the current table
label     - write partition map and label to the disk
!<cmd>    - execute <cmd>, then return
quit

partition> 1
Part      Tag      Flag      Cylinders      Size      Blocks
  1 unassigned  wm         0              0      (0/0/0)          0
Enter partition id tag[unassigned]:
Enter partition permission flags[wm]:
Enter new starting cyl[0]:
Enter partition size[0b, 0c, 0.00mb, 0.00gb]: 2.00gb
partition> 1
Ready to label disk, continue? y

partition> p
Current partition table (unnamed):
Total disk cylinders available: 13814 + 2 (reserved cylinders)
Part      Tag      Flag      Cylinders      Size      Blocks
  0 unassigned  wm         0              0      (0/0/0)          0
  1 unassigned  wm         0 - 3236      2.00GB  (3237/0/0)    4195152
partition> q

```

Copy the data on `vol01` to the newly created disk partition.

```
# dd if=/dev/vx/dsk/voldg/vol01 of=/dev/dsk/c1t12d0s1
```

In the `/etc/vfstab` file, remove the following entry.

```
/dev/vx/dsk/voldg/voll /dev/vx/rdisk/voldg/voll /voll vxfs 4 yes rw
```

Replace it with an entry for the newly created partition.

```
/dev/dsk/c1t12d0s1 /dev/rdisk/c1t12d0s1 /vol01 vxfs 4 yes rw
```

Mount the disk partition.

```
# mount -F vxfs /dev/dsk/c1t12d0s1 /vol01
```

Remove `vol01` from VxVM.

```
# vxdedit -rf rm /dev/vx/dsk/voldg/vol01
```

To complete the procedure, follow the remaining steps.

## Preparing to remove Veritas File System

The `VRTSvxfs` package cannot be removed if there are any mounted VxFS file systems or Storage Checkpoints. Unmount the VxFS file systems and Storage Checkpoints before uninstalling Veritas Storage Foundation. After you remove the `VRTSvxfs` package, VxFS file systems are not mountable or accessible until another `VRTSvxfs` package is installed.

### To unmount a file system

- 1 Check if any VxFS file systems are mounted.

```
# cat /etc/mnttab | grep vxfs
```

- 2 Unmount any file systems.

```
# umount special | mount_point
```

Specify the file system to be unmounted as a *mount\_point* or *special* (the device on which the file system resides). See the `umount_vxfs(1M)` manual page for more information about this command and its available options.

You can use the `-a` option to unmount all file systems except `/`, `/usr`, `/usr/kvm`, `/var`, `/proc`, `/dev/fd`, and `/tmp`.

### To unmount a Storage Checkpoint

- 1 Check if any Storage Checkpoints are mounted.

```
# cat /etc/mnttab | grep vxfs
```

- 2 Unmount any Storage Checkpoints.

```
# umount /checkpoint_name
```

## Disabling VCS agents for VVR the agents on a system

This section explains how to disable a VCS agent for VVR on a system. To disable an agent, you must change the service group containing the resource type of the agent to an OFFLINE state. Then, you can stop the application or switch the application to another system.

### To disable the agents

- 1 Check whether any service group containing the resource type of the agent is online by typing the following command:

```
# hagrps -state service_group -sys system_name
```

If none of the service groups is online, skip to 3.

- 2 If the service group is online, take it offline.

To take the service group offline without bringing it online on any other system in the cluster, enter:

```
# hagrps -offline service_group -sys system_name
```

- 3 Stop the agent on the system by entering:

```
# haagent -stop agent_name -sys system_name
```

When you get the message `Please look for messages in the log file`, check the file `/var/VRTSvcs/log/engine_A.log` for a message confirming that each agent has stopped.

You can also use the `ps` command to confirm that the agent is stopped.

- 4 Remove the system from the `SystemList` of the service group. If you disable the agent on all the systems in the `SystemList`, you can also remove the service groups and resource types from the VCS configuration.

Read information on administering VCS from the command line.

Refer to the *Veritas Cluster Server Administrator's Guide*.

## Removing the Replicated Data Set

If you use VVR, you need to perform the following steps. This section gives the steps to remove a Replicated Data Set (RDS) when the application is either active or stopped.

### To remove the Replicated Data Set

- 1 Verify that all RLINKs are up-to-date:

```
# vxrlink -g diskgroup status rlink_name
```

If the Secondary is not required to be up-to-date, proceed to [2](#) and stop replication using the `-f` option with the `vradmin stoprep` command.

- 2 Stop replication to the Secondary by issuing the following command on any host in the RDS:

The `vradmin stoprep` command fails if the Primary and Secondary RLINKs are not up-to-date. Use the `-f` option to stop replication to a Secondary even when the RLINKs are not up-to-date.

```
# vradmin -g diskgroup stoprep local_rvgname sec_hostname
```

The argument `local_rvgname` is the name of the RVG on the local host and represents its RDS.

The argument `sec_hostname` is the name of the Secondary host as displayed in the output of the `vradmin printrvg` command.



- 3 Remove the Secondary from the RDS by issuing the following command on any host in the RDS:

```
# vradmin -g diskgroup delsec local_rvgname sec_hostname
```

The argument `local_rvgname` is the name of the RVG on the local host and represents its RDS.

The argument `sec_hostname` is the name of the Secondary host as displayed in the output of the `vradmin printrvg` command.

- 4 Remove the Primary from the RDS by issuing the following command on the Primary:

```
# vradmin -g diskgroup delpri local_rvgname
```

When used with the `-f` option, the `vradmin delpri` command removes the Primary even when the application is running on the Primary.

The RDS is removed.

- 5 If you want to delete the SRLs from the Primary and Secondary hosts in the RDS, issue the following command on the Primary and all Secondaries:

```
# vxedit -r -g diskgroup rm srl_name
```

## Uninstalling SFHA packages using the script-based installer

Use the following procedure to remove SFHA products.

Not all packages may be installed on your system depending on the choices that you made when you installed the software.

---

**Note:** After you uninstall the product, you cannot access any file systems you created using the default disk layout version in SFHA 6.0.1 with a previous version of SFHA.

---

Language packages are uninstalled when you uninstall the English language packages.

**To shut down and remove the installed SFHA packages**

- 1 Comment out or remove any Veritas File System (VxFS) entries from the file system table `/etc/vfstab`. Failing to remove these entries could result in system boot problems later.

- 2 Unmount all mount points for VxFS file systems.

```
# umount /mount_point
```

- 3 If the VxVM package (`VRTSvxvm`) is installed, read and follow the uninstallation procedures for VxVM.

See [“Preparing to remove Veritas Volume Manager”](#) on page 358.

- 4 Make sure you have performed all of the prerequisite steps.
- 5 In an HA configuration, stop VCS processes on either the local system or all systems.

To stop VCS processes on the local system:

```
# hastop -local
```

To stop VCS processes on all systems:

```
# hastop -all
```

- 6 Move to the `/opt/VRTS/install` directory and run the uninstall script.

```
# cd /opt/VRTS/install
```

```
# ./uninstallsfha<version>
```

Where `<version>` is the specific release version.

Or, if you are using ssh or rsh, use one of the following:

```
■ # ./uninstallsfha<version> -rsh
```

```
■ # ./uninstallsfha<version> -ssh
```

See [“About the Veritas installer”](#) on page 40.

- 7 The uninstall script prompts for the system name. Enter one or more system names, separated by a space, from which to uninstall SFHA, for example, `sys1`:

```
Enter the system names separated by spaces: [q?] sys1 sys2
```

- 8 The uninstall script prompts you to stop the product processes. If you respond yes, the processes are stopped and the packages are uninstalled.  
The uninstall script creates log files and displays the location of the log files.
- 9 Most packages have kernel components. In order to ensure complete removal, a system reboot is recommended after all packages have been removed.
- 10 To verify the removal of the packages, use the `pkginfo` command.

```
# pkginfo | grep VRTS
```

## Uninstalling SFHA with the Veritas Web-based installer

This section describes how to uninstall using the Veritas Web-based installer.

---

**Note:** After you uninstall the product, you cannot access any file systems you created using the default disk layout Version in SFHA 6.0.1 with a previous version of SFHA.

---

### To uninstall SFHA

- 1 Perform the required steps to save any data that you wish to preserve. For example, take back-ups of configuration files.
- 2 Start the Web-based installer.  
See [“Starting the Veritas Web-based installer”](#) on page 141.
- 3 On the Select a task and a product page, select **Uninstall a Product** from the Task drop-down list.
- 4 Select **Storage Foundation High Availability** from the Product drop-down list, and click **Next**.
- 5 Indicate the systems on which to uninstall. Enter one or more system names, separated by spaces. Click **Next**.
- 6 After the validation completes successfully, click **Next** to uninstall SFHA on the selected system.
- 7 If there are any processes running on the target system, the installer stops the processes. Click **Next**.
- 8 After the installer stops the processes, the installer removes the products from the specified system.

Click **Next**.

**Uninstalling Storage Foundation and High Availability using the `pkgrm` or `pkg uninstall` command**

9 After the uninstall completes, the installer displays the location of the summary, response, and log files. If required, view the files to confirm the status of the removal.

10 Click **Finish**.

Most packages have kernel components. In order to ensure their complete removal, a system reboot is recommended after all the packages have been removed.

## Uninstalling Storage Foundation and High Availability using the `pkgrm` or `pkg uninstall` command

Use the following procedure to uninstall Storage Foundation and High Availability using the `pkgrm` command.

If you are uninstalling Storage Foundation and High Availability using the `pkgrm` command, the packages must be removed in a specific order, or else the uninstallation will fail. Removing the packages out of order will result in some errors, including possible core dumps, although the packages will still be removed.

### To uninstall Storage Foundation and High Availability

1 Unmount all VxFS file systems and Storage Checkpoints, and close all VxVM volumes.

Comment out or remove any Veritas File System (VxFS) entries from the file system table `/etc/vfstab`. Failing to remove these entries could result in system boot problems later.

2 Unmount all mount points for VxFS file systems and Storage Checkpoints.

```
# umount /mount_point
```

3 Stop all applications from accessing VxVM volumes, and close all VxVM volumes.

4 Stop various daemons, if applicable.

```
# /opt/VRTS/bin/vxsvcctrl stop
```

5 Remove the packages in the following order:

- For Storage Foundation and High Availability (Solaris 10):

```
# pkgrm VRTSvlic VRTSperl VRTSspt VRTSob \  
VRTSvxvm VRTSaslapm VRTSsfmh VRTSvxfv VRTSfssdk \  
VRTSvxcntrl VRTSvxcntrl
```

```
VRTSdbed VRTSodm VRTSamf VRTSvcsea VRTSvcstag \  
VRTSgms VRTSglm VRTSdbac VRTScps VRTScavf
```

- For Storage Foundation and High Availability (Solaris 11):

```
# pkg uninstall VRTSvlic VRTSperl VRTSspt VRTSob \  
VRTSvxvm VRTSaslapm VRTSsfmh VRTSvxfs VRTSfssdk \  
VRTSdbed VRTSodm VRTSamf VRTSvcsea VRTSvcstag \  
VRTSgms VRTSglm VRTSdbac VRTScps VRTScavf
```

## Uninstalling the language packages using the pkgrm command

If you would like to remove only the language packages, you can do so with the `pkgrm` command.

If you use the product installer menu or the uninstallation script, you can remove the language packages along with the English packages.

### To remove the language packages

- ◆ Use the `pkgrm` command to remove the appropriate packages.

See [“Chinese language packages”](#) on page 461.

See [“Japanese language packages”](#) on page 461.

```
# pkgrm package_name package_name ...
```

Because the packages do not contain any dependencies, you can remove them in any order.

## Removing the CP server configuration using the installer program

This section describes how to remove the CP server configuration from a node or a cluster that hosts the CP server.

---

**Warning:** Ensure that no SFHA cluster (application cluster) uses the CP server that you want to unconfigure.

---

**To remove the CP server configuration**

- 1 To run the configuration removal script, enter the following command on the node where you want to remove the CP server configuration:

```
root@cps1.symantecexample.com
# /opt/VRTS/install/installvcsversion -configcps
```

- 2 Select option 3 from the menu to unconfigure the CP server.

```
VERITAS COORDINATION POINT SERVER CONFIGURATION UTILITY
=====
```

Select one of the following:

- ```
[1] Configure Coordination Point Server on single node VCS system
[2] Configure Coordination Point Server on SFHA cluster
[3] Unconfigure Coordination Point Server
```

- 3 Review the warning message and confirm that you want to unconfigure the CP server.

```
WARNING: Unconfiguring Coordination Point Server stops the
vxcpserv process. VCS clusters using this server for
coordination purpose will have one less coordination point.
```

```
Are you sure you want to bring down the cp server? (y/n)
(Default:n) :y
```

- 4 Review the screen output as the script performs the following steps to remove the CP server configuration:
  - Stops the CP server
  - Removes the CP server from VCS configuration
  - Removes resource dependencies
  - Takes the the CP server service group (CPSSG) offline, if it is online
  - Removes the CPSSG service group from the VCS configuration
  - Successfully unconfigured the Veritas Coordination Point Server

The CP server database is not being deleted on the shared storage. It can be re-used if CP server is reconfigured on the cluster. The same database location can be specified during CP server configuration.

**5** Decide if you want to delete the CP server configuration file.

```
Do you want to delete the CP Server configuration file
(/etc/vxcps.conf) and log files
(in /var/VRTScps)? [y,n,q] (n) y
```

```
Deleting /etc/vxcps.conf and log files on sys1.... Done
Deleting /etc/vxcps.conf and log files on sys2... Done
```

**6** Confirm if you want to send information about this installation to Symantec to help improve installation in the future.

```
Would you like to send the information about this installation
to Symantec to help improve installation in the future? [y,n,q,?] (y)
```

Upload completed successfully.

## Removing the Storage Foundation for Databases (SFDB) repository after removing the product

After removing the product, you can remove the SFDB repository file and any backups.

Removing the SFDB repository file disables the SFDB tools.

## To remove the SFDB repository

- 1 Identify the SFDB repositories created on the host.

```
# cat /var/vx/vxdba/rep_loc
```

Oracle:

```
{
  "sfae_rept_version" : 1,
  "oracle" : {
    "SFAEDB" : {
      "location" : "/data/sfaedb/.sfae",
      "old_location" : "",
      "alias" : [
        "sfaedb"
      ]
    }
  }
}
```

DB2:

```
{
  "db2" : {
    "db2inst1_sfaedb2" : {
      "location" : "/db2data/db2inst1/NODE0000/SQL00001/.sfae",
      "old_location" : "",
      "alias" : [
        "db2inst1_sfaedb2"
      ]
    }
  },
  "sfae_rept_version" : 1
}
```

- 2 Remove the directory identified by the `location` key.

Oracle:

```
# rm -rf /data/sfaedb/.sfae
```

DB2:

```
# rm -rf /db2data/db2inst1/NODE0000/SQL00001/.sfae
```



- 3 Remove the repository location file.

```
# rm -rf /var/vx/vxdba/rep_loc
```

This completes the removal of the SFDB repository.

# Uninstalling SFHA using response files

This chapter includes the following topics:

- [Uninstalling SFHA using response files](#)
- [Response file variables to uninstall Storage Foundation and High Availability](#)
- [Sample response file for SFHA uninstallation](#)

## Uninstalling SFHA using response files

Typically, you can use the response file that the installer generates after you perform SFHA uninstallation on one cluster to uninstall SFHA on other clusters.

### To perform an automated uninstallation

- 1 Make sure that you meet the prerequisites to uninstall SFHA.
- 2 Copy the response file to the system where you want to uninstall SFHA.
- 3 Edit the values of the response file variables as necessary.
- 4 Start the uninstallation from the system to which you copied the response file. For example:

```
# /opt/VRTS/install/uninstallsfha<version>  
-responsefile /tmp/response_file
```

Where *<version>* is the specific release version, and */tmp/response\_file* is the response file's full path name.

See [“About the Veritas installer”](#) on page 40.

# Response file variables to uninstall Storage Foundation and High Availability

[Table 27-1](#) lists the response file variables that you can define to configure SFHA.

**Table 27-1** Response file variables for uninstalling SFHA

| Variable            | Description                                                                                                                                                                                                                                   |
|---------------------|-----------------------------------------------------------------------------------------------------------------------------------------------------------------------------------------------------------------------------------------------|
| CFG{systems}        | List of systems on which the product is to be installed or uninstalled.<br><br>List or scalar: list<br><br>Optional or required: required                                                                                                     |
| CFG{prod}           | Defines the product to be installed or uninstalled.<br><br>List or scalar: scalar<br><br>Optional or required: required                                                                                                                       |
| CFG{opt}{keyfile}   | Defines the location of an ssh keyfile that is used to communicate with all remote systems.<br><br>List or scalar: scalar<br><br>Optional or required: optional                                                                               |
| CFG{opt}{tmppath}   | Defines the location where a working directory is created to store temporary files and the packages that are needed during the install. The default location is /var/tmp.<br><br>List or scalar: scalar<br><br>Optional or required: optional |
| CFG{opt}{logpath}   | Mentions the location where the log files are to be copied. The default location is /opt/VRTS/install/logs.<br><br>List or scalar: scalar<br><br>Optional or required: optional                                                               |
| CFG{opt}{uninstall} | Uninstalls SFHA packages.<br><br>List or scalar: scalar<br><br>Optional or required: optional                                                                                                                                                 |

## Sample response file for SFHA uninstallation

The following example shows a response file for uninstalling Storage Foundation High Availability.

```
our %CFG;  
  
$CFG{opt}{redirect}=1;  
$CFG{opt}{uninstall}=1;  
$CFG{prod}="SFHA60";  
$CFG{systems}=[ qw(cdgv240a cdgv240b) ];  
  
1;
```

# Adding and removing nodes

- [Chapter 28. Adding a node to SFHA clusters](#)
- [Chapter 29. Removing a node from SFHA clusters](#)

# Adding a node to SFHA clusters

This chapter includes the following topics:

- [About adding a node to a cluster](#)
- [Before adding a node to a cluster](#)
- [Adding a node to a cluster using the SFHA installer](#)
- [Adding a node using the Web-based installer](#)
- [Adding the node to a cluster manually](#)
- [Configuring server-based fencing on the new node](#)
- [After adding the new node](#)
- [Updating the Storage Foundation for Databases \(SFDB\) repository after adding a node](#)

## About adding a node to a cluster

After you install SFHA and create a cluster, you can add and remove nodes from the cluster. You can create clusters of up to 64 nodes.

You can add a node:

- Using the product installer
- Using the Web installer
- Manually

The following table provides a summary of the tasks required to add a node to an existing SFHA cluster.

**Table 28-1** Tasks for adding a node to a cluster

| Step                                                                                                         | Description                                                                                                                                                                                                                                          |
|--------------------------------------------------------------------------------------------------------------|------------------------------------------------------------------------------------------------------------------------------------------------------------------------------------------------------------------------------------------------------|
| Complete the prerequisites and preparatory tasks before adding a node to the cluster.                        | See <a href="#">“Before adding a node to a cluster”</a> on page 383.                                                                                                                                                                                 |
| Add a new node to the cluster.                                                                               | See <a href="#">“Adding a node to a cluster using the SFHA installer”</a> on page 385.<br>See <a href="#">“Adding a node using the Web-based installer”</a> on page 388.<br>See <a href="#">“Adding the node to a cluster manually”</a> on page 389. |
| If you are using the Storage Foundation for Databases (SFDB) tools, you must update the repository database. | See <a href="#">“Updating the Storage Foundation for Databases (SFDB) repository after adding a node”</a> on page 395.                                                                                                                               |

The example procedures describe how to add a node to an existing cluster with two nodes.

## Before adding a node to a cluster

Before preparing to add the node to an existing SFHA cluster, perform the required preparations.

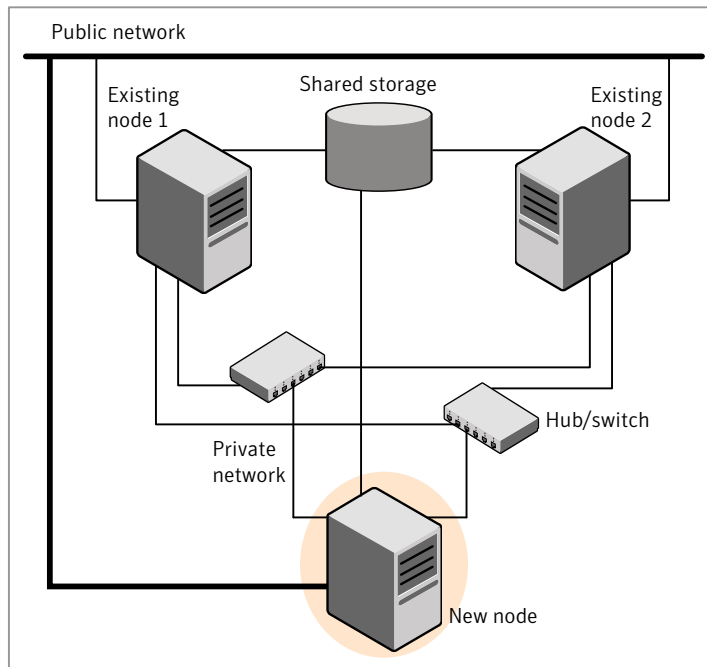
- Verify hardware and software requirements are met.
- Set up the hardware.
- Prepare the new node.

### To verify hardware and software requirements are met

- 1 Review hardware and software requirements for SFHA.  
See [“Hardware compatibility list \(HCL\)”](#) on page 31.
- 2 Verify the new system has the same identical operating system versions and patch levels as that of the existing cluster
- 3 Verify the existing cluster is a SFHA cluster and that SFHA is running on the cluster.

Before you configure a new system on an existing cluster, you must physically add the system to the cluster as illustrated in [Figure 28-1](#).

**Figure 28-1** Adding a node to a two-node cluster using two switches



### To set up the hardware

#### 1 Connect the SFHA private Ethernet controllers.

Perform the following tasks as necessary:

- When you add nodes to a cluster, use independent switches or hubs for the private network connections. You can only use crossover cables for a two-node cluster, so you might have to swap out the cable for a switch or hub.
- If you already use independent hubs, connect the two Ethernet controllers on the new node to the independent hubs.

[Figure 28-1](#) illustrates a new node being added to an existing two-node cluster using two independent hubs.

#### 2 Make sure that you meet the following requirements:

- The node must be connected to the same shared storage devices as the existing nodes.



- The node must have private network connections to two independent switches for the cluster.  
For more information, see the *Veritas Cluster Server Installation Guide*.
- The network interface names used for the private interconnects on the new node must be the same as that of the existing nodes in the cluster.

Complete the following preparatory steps on the new node before you add it to an existing SFHA cluster.

**To prepare the new node**

- 1 Verify that the new node meets installation requirements.

```
# ./installsfha -precheck
```

You can also use the Web-based installer for the precheck.

- 2 Install SFHA on the new system. Make sure all the VRTS packages available on the existing nodes are also available on the new node.

```
# cd /opt/VRTS/install
```

```
# ./installsfha<version>
```

Where *<version>* is the specific release version.

Do not configure SFHA when prompted.

- 3 You can restart the new node after installation is complete. Configure the new node using the configuration from the existing cluster nodes.

See [“About installation and configuration methods for SFHA”](#) on page 39.

## Adding a node to a cluster using the SFHA installer

You can add a node to a cluster using the `-addnode` option with the SFHA installer.

The SFHA installer performs the following tasks:

- Verifies that the node and the existing cluster meet communication requirements.
- Verifies the products and packages installed but not configured on the new node.
- Discovers the network interfaces on the new node and checks the interface settings.
- Creates the following files on the new node:

```
/etc/llttab  
/etc/VRTSvcs/conf/sysname
```

- Copies the following files on the new node:
  - `/etc/llthosts`
  - `/etc/gabtab`
  - `/etc/VRTSvcs/conf/config/main.cf`
- Copies the following files from the existing cluster to the new node
  - `/etc/vxfenmode`
  - `/etc/vxfendg`
  - `/etc/vx/.uuids/clusuid`
  - `/etc/default/llt`
  - `/etc/default/gab`
  - `/etc/default/vxfen`
- Generate security credentials on the new node if the CPS server of existing cluster is secure
- Configures disk-based or server-based fencing depending on the fencing mode in use on the existing cluster.

At the end of the process, the new node joins the SFHA cluster.

---

**Note:** If you have configured server-based fencing on the existing cluster, make sure that the CP server does not contain entries for the new node. If the CP server already contains entries for the new node, remove these entries before adding the node to the cluster, otherwise the process may fail with an error.

---

### To add the node to an existing cluster using the installer

- 1 Log in as the root user on one of the nodes of the existing cluster.
- 2 Run the SFHA installer with the `-addnode` option.

```
# cd /opt/VRTS/install  
  
# ./installsfha<version> -addnode
```

Where `<version>` is the specific release version.

See [“About the Veritas installer”](#) on page 40.

The installer displays the copyright message and the location where it stores the temporary installation logs.

- 3 Enter the name of a node in the existing SFHA cluster.

The installer uses the node information to identify the existing cluster.

```
Enter one node of the SFHA cluster to which
you would like to add one or more new nodes: sys1
```

- 4 Review and confirm the cluster information.
- 5 Enter the name of the systems that you want to add as new nodes to the cluster.

```
Enter the system names separated by spaces
to add to the cluster: sys5
```

Confirm if the installer prompts if you want to add the node to the cluster.

The installer checks the installed products and packages on the nodes and discovers the network interfaces.

- 6 Enter the name of the network interface that you want to configure as the first private heartbeat link.

---

**Note:** The network interface names used for the private interconnects on the new node must be the same as that of the existing nodes in the cluster. The LLT configuration for the new node must be the same as that of the existing cluster.

---

```
Enter the NIC for the first private heartbeat
link on sys5: [b,q,?] bge1
```

```
Enter the NIC for the second private heartbeat
link on sys5: [b,q,?] bge2
```

---

**Note:** At least two private heartbeat links must be configured for high availability of the cluster.

---

- 7 Depending on the number of LLT links configured in the existing cluster, configure additional private heartbeat links for the new node.  
 The installer verifies the network interface settings and displays the information.
- 8 Review and confirm the information.

- 9 If you have configured SMTP, SNMP, or the global cluster option in the existing cluster, you are prompted for the NIC information for the new node.

Enter the NIC for VCS to use on sys5: **bge3**

SFHA is configured on the cluster. Do you want to configure it on the new node(s)? [y,n,q] (y) n

- 10 If the existing cluster uses server-based fencing in secure mode, the installer will configure server-based fencing in secure mode on the new nodes.

The installer then starts all the required Veritas processes and joins the new node to cluster.

The installer indicates the location of the log file, summary file, and response file with details of the actions performed.

- 11 Confirm that the new node has joined the SFHA cluster using `lltstat -n` and `gabconfig -a` commands.

If the new node has not joined the cluster, verify if it has been added to the SystemList.

## Adding a node using the Web-based installer

You can use the Web-based installer to add a node to a cluster.

### To add a node to a cluster using the Web-based installer

- 1 From the Task pull-down menu, select **Add a Cluster node**.

From the product pull-down menu, select the product.

Click the **Next** button.

- 2 Click **OK** to confirm the prerequisites to add a node.

- 3 In the System Names field enter a name of a node in the cluster where you plan to add the node and click **OK**.

The installer program checks inter-system communications and compatibility. If the node fails any of the checks, review the error and fix the issue.

If prompted, review the cluster's name, ID, and its systems. Click the **Yes** button to proceed.

- 4 In the System Names field, enter the names of the systems that you want to add to the cluster as nodes. Separate system names with spaces. Click the **Next** button.  
  
 The installer program checks inter-system communications and compatibility. If the system fails any of the checks, review the error and fix the issue.  
  
 Click the **Next** button. If prompted, click the **Yes** button to add the system and to proceed.
- 5 From the heartbeat NIC pull-down menus, select the heartbeat NICs for the cluster. Click the **Next** button.
- 6 Once the addition is complete, review the log files. Optionally send installation information to Symantec. Click the **Finish** button to complete the node's addition to the cluster.

## Adding the node to a cluster manually

Perform this procedure after you install SFHA only if you plan to add the node to the cluster manually.

**Table 28-2** Procedures for adding a node to a cluster manually

| Step                                                                                                                                                                                                                             | Description                                                                               |
|----------------------------------------------------------------------------------------------------------------------------------------------------------------------------------------------------------------------------------|-------------------------------------------------------------------------------------------|
| Start the Veritas Volume Manager (VxVM) on the new node.                                                                                                                                                                         | See <a href="#">“Starting Veritas Volume Manager (VxVM) on the new node”</a> on page 390. |
| Configure the cluster processes on the new node.                                                                                                                                                                                 | See <a href="#">“Configuring cluster processes on the new node”</a> on page 390.          |
| If the CPS server of existing cluster is secure, generate security credentials on the new node.                                                                                                                                  | See <a href="#">“Setting up the node to run in secure mode”</a> on page 392.              |
| Configure fencing for the new node to match the fencing configuration on the existing cluster.<br><br>If the existing cluster is configured to use server-based I/O fencing, configure server-based I/O fencing on the new node. | See <a href="#">“Starting fencing on the new node”</a> on page 393.                       |
| Start VCS.                                                                                                                                                                                                                       | See <a href="#">“To start VCS on the new node”</a> on page 395.                           |

**Table 28-2** Procedures for adding a node to a cluster manually (*continued*)

| Step                                                                                          | Description |
|-----------------------------------------------------------------------------------------------|-------------|
| If the ClusterService group is configured on the existing cluster, add the node to the group. |             |

## Starting Veritas Volume Manager (VxVM) on the new node

Veritas Volume Manager (VxVM) uses license keys to control access. As you run the `vxinstall` utility, answer **n** to prompts about licensing. You installed the appropriate license when you ran the `installsfha` program.

### To start VxVM on the new node

- 1 To start VxVM on the new node, use the `vxinstall` utility:

```
# vxinstall
```

- 2 Enter **n** when prompted to set up a system wide disk group for the system. The installation completes.
- 3 Verify that the daemons are up and running. Enter the command:

```
# vxdisk list
```

Make sure the output displays the shared disks without errors.

## Configuring cluster processes on the new node

Perform the steps in the following procedure to configure cluster processes on the new node.

- 1 Edit the `/etc/llthosts` file on the existing nodes. Using `vi` or another text editor, add the line for the new node to the file. The file resembles:

```
0 sys1
1 sys2
2 sys5
```

- 2 Copy the `/etc/llthosts` file from one of the existing systems over to the new system. The `/etc/llthosts` file must be identical on all nodes in the cluster.

- 3 Create an `/etc/llttab` file on the new system. For example:

```
set-node sys5
set-cluster 101

link bge1 /dev/bge:1 - ether - -
link bge2 /dev/bge:2 - ether - -
```

Except for the first line that refers to the node, the file resembles the `/etc/llttab` files on the existing nodes. The second line, the cluster ID, must be the same as in the existing nodes.

- 4 Use `vi` or another text editor to create the file `/etc/gabtab` on the new node. This file must contain a line that resembles the following example:

```
/sbin/gabconfig -c -nN
```

Where `N` represents the number of systems in the cluster including the new node. For a three-system cluster, `N` would equal 3.

- 5 Edit the `/etc/gabtab` file on each of the existing systems, changing the content to match the file on the new system.
- 6 Use `vi` or another text editor to create the file `/etc/VRTSvcs/conf/sysname` on the new node. This file must contain the name of the new node added to the cluster.

For example:

```
sys5
```

- 7 Create the Unique Universal Identifier file `/etc/vx/.uuids/clusuuid` on the new node:

```
# /opt/VRTSvcs/bin/uuidconfig.pl -rsh -clus -copy \  
-from_sys sys1 -to_sys sys5
```

- 8 Start the LLT, GAB, and ODM drivers on the new node:

```
# svcadm enable llt
# svcadm enable gab
# svcadm restart vxodm
```

- 9 On the new node, verify that the GAB port memberships are a and d:

```
# gabconfig -a
GAB Port Memberships
=====
Port a gen df204 membership 012
Port b gen df20a membership 012
Port d gen df207 membership 012
```

## Setting up the node to run in secure mode

You must follow this procedure only if you are adding a node to a cluster that is running in secure mode. If you are adding a node to a cluster that is not running in a secure mode, proceed with configuring LLT and GAB.

[Table 28-3](#) uses the following information for the following command examples.

**Table 28-3** The command examples definitions

| Name | Fully-qualified host name (FQHN) | Function                                         |
|------|----------------------------------|--------------------------------------------------|
| sys5 | sys5.nodes.example.com           | The new node that you are adding to the cluster. |

## Setting up SFHA related security configuration

Perform the following steps to configure SFHA related security settings.

### Setting up SFHA related security configuration

- 1 Start `/opt/VRTSat/bin/vxatd` process.
- 2 Create `HA_SERVICES` domain for SFHA.
- 3 Add SFHA and webserver principal to AB on node `sys5`.

```
# vssat createpd --pdrtype ab --domain HA_SERVICES
```

```
# vssat addprpl --pdrtype ab --domain HA_SERVICES --prplname \
webserver_VCS_prplname --password new_password --prpltype \
service --can_proxy
```

- 4 Create `/etc/VRTSvcs/conf/config/.secure` file:

```
# touch /etc/VRTSvcs/conf/config/.secure
```



## Starting fencing on the new node

Perform the following steps to start fencing on the new node.

### To start fencing on the new node

- 1 For disk-based fencing on at least one node, copy the following files from one of the nodes in the existing cluster to the new node:

```
/etc/default/vxfen  
/etc/vxfendg  
/etc/vxfenmode
```

If you are using pure CP server-based fencing on the existing cluster, then only the `/etc/vxfenmode` file needs to be copied on the new node.

- 2 Start fencing on the new node:

```
# svcadm enable vxfen
```

## Configuring server-based fencing on the new node

This section describes the procedures to configure server-based fencing on a new node. Depending on whether server-based fencing is configured in secure or non-secure mode on the existing cluster, perform the tasks in one of the following procedures:

- Server-based fencing in non-secure mode:  
[To configure server-based fencing in non-secure mode on the new node](#)
- Server-based fencing in secure mode:  
[To configure server-based fencing with security on the new node](#)

### To configure server-based fencing in non-secure mode on the new node

- 1 Log in to each CP server as the root user.
- 2 Update each CP server configuration with the new node information:

```
# cpsadm -s cps1.symantecexample.com \  
-a add_node -c clus1 -h sys5 -n2
```

```
Node 2 (sys5) successfully added
```

- 3 Verify that the new node is added to the CP server configuration:

```
# cpsadm -s cps1.symantecexample.com \  
-a list_nodes
```

The new node must be listed in the command output.

- 4 Add the VCS user cpsclient@sys5 to each CP server:

```
# cpsadm -s cps1.symantecexample.com \  
-a add_user -e cpsclient@sys5 \  
-f cps_operator -g vx
```

User cpsclient@sys5 successfully added

#### To configure server-based fencing with security on the new node

- 1 Log in to each CP server as the root user.
- 2 Update each CP server configuration with the new node information:

```
# cpsadm -s cps1.symantecexample.com \  
-a add_node -c clus1 -h sys5 -n2
```

Node 2 (sys5) successfully added

- 3 Verify that the new node is added to the CP server configuration:

```
# cpsadm -s cps1.symantecexample.com -a list_nodes
```

The new node must be listed in the output.

## Adding the new node to the vxfen service group

Perform the steps in the following procedure to add the new node to the vxfen service group.

**To add the new node to the vxfen group using the CLI**

- 1 On one of the nodes in the existing SF HA cluster, set the cluster configuration to read-write mode:

```
# haconf -makerw
```

- 2 Add the node sys5 to the existing vxfen group.

```
# hagrps -modify vxfen SystemList -add sys5 2
```

- 3 Save the configuration by running the following command from any node in the SF HA cluster:

```
# haconf -dump -makero
```

## After adding the new node

Start VCS on the new node.

**To start VCS on the new node**

- ◆ Start VCS on the new node:

```
# hastart
```

## Updating the Storage Foundation for Databases (SFDB) repository after adding a node

If you are using Database Storage Checkpoints, Database FlashSnap, or SmartTier for Oracle in your configuration, update the SFDB repository to enable access for the new node after it is added to the cluster.

**To update the SFDB repository after adding a node**

- 1 Copy the `/var/vx/vxdba/rep_loc` file from one of the nodes in the cluster to the new node.
- 2 If the `/var/vx/vxdba/auth/user-authorizations` file exists on the existing cluster nodes, copy it to the new node.

If the `/var/vx/vxdba/auth/user-authorizations` file does not exist on any of the existing cluster nodes, no action is required.

This completes the addition of the new node to the SFDB repository.

# Removing a node from SFHA clusters

This chapter includes the following topics:

- [Removing a node from a SFHA cluster](#)

## Removing a node from a SFHA cluster

[Table 29-1](#) specifies the tasks that are involved in removing a node from a cluster. In the example procedure, the cluster consists of nodes sys1, sys2, and sys5; node sys5 is to leave the cluster.

**Table 29-1** Tasks that are involved in removing a node

| Task                                                                                                                                                                                | Reference                                                                               |
|-------------------------------------------------------------------------------------------------------------------------------------------------------------------------------------|-----------------------------------------------------------------------------------------|
| <ul style="list-style-type: none"> <li>■ Back up the configuration file.</li> <li>■ Check the status of the nodes and the service groups.</li> </ul>                                | See <a href="#">“Verifying the status of nodes and service groups”</a> on page 397.     |
| <ul style="list-style-type: none"> <li>■ Switch or remove any SFHA service groups on the node departing the cluster.</li> <li>■ Delete the node from SFHA configuration.</li> </ul> | See <a href="#">“Deleting the departing node from SFHA configuration”</a> on page 398.  |
| Modify the llthosts(4) and gabtab(4) files to reflect the change.                                                                                                                   | See <a href="#">“Modifying configuration files on each remaining node”</a> on page 401. |
| If the existing cluster is configured to use server-based I/O fencing, remove the node configuration from the CP server.                                                            | See <a href="#">“Removing the node configuration from the CP server”</a> on page 402.   |

**Table 29-1** Tasks that are involved in removing a node (*continued*)

| Task                                                                                                                                                                                                                                                                                              | Reference                                                                                       |
|---------------------------------------------------------------------------------------------------------------------------------------------------------------------------------------------------------------------------------------------------------------------------------------------------|-------------------------------------------------------------------------------------------------|
| For a cluster that is running in a secure mode, remove the security credentials from the leaving node.                                                                                                                                                                                            | See <a href="#">“Removing security credentials from the leaving node”</a> on page 403.          |
| On the node departing the cluster: <ul style="list-style-type: none"> <li>■ Modify startup scripts for LLT, GAB, and SFHA to allow reboot of the node without affecting the cluster.</li> <li>■ Unconfigure and unload the LLT and GAB utilities.</li> <li>■ Remove the SFHA packages.</li> </ul> | See <a href="#">“Unloading LLT and GAB and removing VCS on the departing node”</a> on page 403. |

## Verifying the status of nodes and service groups

Start by issuing the following commands from one of the nodes to remain in the cluster node sys1 or node sys2 in our example.

## To verify the status of the nodes and the service groups

- 1 Make a backup copy of the current configuration file, main.cf.

```
# cp -p /etc/VRTSvcs/conf/config/main.cf \
/etc/VRTSvcs/conf/config/main.cf.goodcopy
```

- 2 Check the status of the systems and the service groups.

```
# hastatus -summary
```

```
-- SYSTEM STATE
-- System      State          Frozen
A  sys1        RUNNING        0
A  sys2        RUNNING        0
A  sys5        RUNNING        0

-- GROUP STATE
-- Group       System      Probed   AutoDisabled  State
B  grp1        sys1       Y           N              ONLINE
B  grp1        sys2       Y           N              OFFLINE
B  grp2        sys1       Y           N              ONLINE
B  grp3        sys2       Y           N              OFFLINE
B  grp3        sys5       Y           N              ONLINE
B  grp4        sys5       Y           N              ONLINE
```

The example output from the `hastatus` command shows that nodes `sys1`, `sys2`, and `sys5` are the nodes in the cluster. Also, service group `grp3` is configured to run on node `sys2` and node `sys5`, the departing node. Service group `grp4` runs only on node `sys5`. Service groups `grp1` and `grp2` do not run on node `sys5`.

## Deleting the departing node from SFHA configuration

Before you remove a node from the cluster you need to identify the service groups that run on the node.

You then need to perform the following actions:

- Remove the service groups that other service groups depend on, or
- Switch the service groups to another node that other service groups depend on.

**To remove or switch service groups from the departing node**

- 1 Switch failover service groups from the departing node. You can switch grp3 from node sys5 to node sys2.

```
# hagrps -switch grp3 -to sys2
```

- 2 Check for any dependencies involving any service groups that run on the departing node; for example, grp4 runs only on the departing node.

```
# hagrps -dep
```

- 3 If the service group on the departing node requires other service groups—if it is a parent to service groups on other nodes—unlink the service groups.

```
# haconf -makerw  
# hagrps -unlink grp4 grp1
```

These commands enable you to edit the configuration and to remove the requirement grp4 has for grp1.

- 4 Stop SFHA on the departing node:

```
# hastop -sys sys5
```

To stop VCS using SMF, run the following command:

```
# svcadm disable vcs
```

- 5 Check the status again. The state of the departing node should be EXITED. Make sure that any service group that you want to fail over is online on other nodes.

```
# hastatus -summary

-- SYSTEM STATE
-- System      State          Frozen
A sys1        RUNNING        0
A sys2        RUNNING        0
A sys5        EXITED         0

-- GROUP STATE
-- Group       System        Probed   AutoDisabled   State
B grp1        sys1          Y        N               ONLINE
B grp1        sys2          Y        N               OFFLINE
B grp2        sys1          Y        N               ONLINE
B grp3        sys2          Y        N               ONLINE
B grp3        sys5          Y        Y               OFFLINE
B grp4        sys5          Y        N               OFFLINE
```

- 6 Delete the departing node from the SystemList of service groups grp3 and grp4.

```
# haconf -makerw
# hagrps -modify grp3 SystemList -delete sys5
# hagrps -modify grp4 SystemList -delete sys5
```

---

**Note:** If sys5 was in the autostart list, then you need to manually add another system in the autostart list so that after reboot, the group comes online automatically.

---

- 7 For the service groups that run only on the departing node, delete the resources from the group before you delete the group.

```
# hagrps -resources grp4
    processx_grp4
    processy_grp4
# hares -delete processx_grp4
# hares -delete processy_grp4
```



- 8 Delete the service group that is configured to run on the departing node.

```
# hagrps -delete grp4
```

- 9 Check the status.

```
# hastatus -summary
-- SYSTEM STATE
-- System      State          Frozen
A  sys1        RUNNING       0
A  sys2        RUNNING       0
A  sys5        EXITED        0

-- GROUP STATE
-- Group       System        Probed   AutoDisabled  State
B  grp1        sys1         Y           N             ONLINE
B  grp1        sys2         Y           N             OFFLINE
B  grp2        sys1         Y           N             ONLINE
B  grp3        sys2         Y           N             ONLINE
```

- 10 Delete the node from the cluster.

```
# hasys -delete sys5
```

- 11 Save the configuration, making it read only.

```
# haconf -dump -makero
```

## Modifying configuration files on each remaining node

Perform the following tasks on each of the remaining nodes of the cluster.

### To modify the configuration files on a remaining node

- 1 If necessary, modify the `/etc/gabtab` file.

No change is required to this file if the `/sbin/gabconfig` command has only the argument `-c`. Symantec recommends using the `-nN` option, where *N* is the number of cluster systems.

If the command has the form `/sbin/gabconfig -c -nN`, where *N* is the number of cluster systems, make sure that *N* is not greater than the actual number of nodes in the cluster. When *N* is greater than the number of nodes, GAB does not automatically seed.

Symantec does not recommend the use of the `-c -x` option for `/sbin/gabconfig`.

- 2 Modify `/etc/llhosts` file on each remaining nodes to remove the entry of the departing node.

For example, change:

```
0 sys1
1 sys2
2 sys5
```

To:

```
0 sys1
1 sys2
```

## Removing the node configuration from the CP server

After removing a node from a SFHA cluster, perform the steps in the following procedure to remove that node's configuration from the CP server.

---

**Note:** The `cpsadm` command is used to perform the steps in this procedure. For detailed information about the `cpsadm` command, see the *Veritas Cluster Server Administrator's Guide*.

---

### To remove the node configuration from the CP server

- 1 Log into the CP server as the root user.
- 2 View the list of VCS users on the CP server, using the following command:

```
# cpsadm -s cp_server -a list_users
```

Where `cp_server` is the virtual IP/ virtual hostname of the CP server.

- 3 Remove the VCS user associated with the node you previously removed from the cluster.

For CP server in non-secure mode:

```
# cpsadm -s cp_server -a rm_user \  
-e cpsclient@sys5 -f cps_operator -g vx
```

- 4 Remove the node entry from the CP server:

```
# cpsadm -s cp_server -a rm_node -h sys5 -c clus1 -n 2
```

- 5 View the list of nodes on the CP server to ensure that the node entry was removed:

```
# cpsadm -s cp_server -a list_nodes
```

## Removing security credentials from the leaving node

If the leaving node is part of a cluster that is running in a secure mode, you must remove the security credentials from node sys5. Perform the following steps.

### To remove the security credentials

- 1 Stop the AT process.

```
# /opt/VRTSvcs/bin/vcsauth/vcsauthserver/bin/vcsauthserver.sh \  
stop
```

- 2 Remove the credentials.

```
# rm -rf /var/VRTSvcs/vcsauth/data/
```

## Unloading LLT and GAB and removing VCS on the departing node

Perform the tasks on the node that is departing the cluster.

You can use script-based installer to uninstall VCS on the departing node or perform the following manual steps.

If you have configured Storage Foundation and High Availability as part of the Storage Foundation and High Availability products, you may have to delete other dependent packages before you can delete all of the following ones.

**To unconfigure and unload LLT and GAB and remove SFHA**

- 1 If you had configured I/O fencing in enabled mode, then stop I/O fencing.

```
# svcadm disable -t vxfen
```

- 2 Unconfigure GAB and LLT:

```
# /sbin/gabconfig -U
```

```
# /sbin/lltconfig -U
```

- 3 Unload the GAB and LLT modules from the kernel.

- Determine the kernel module IDs:

```
# modinfo | grep gab
```

```
# modinfo | grep llt
```

The module IDs are in the left-hand column of the output.

- Unload the module from the kernel:

```
# modunload -i gab_id
```

```
# modunload -i llt_id
```

- 4 Disable the startup files to prevent LLT, GAB, or SFHA from starting up:

```
# /usr/sbin/svcadm disable -t llt
```

```
# /usr/sbin/svcadm disable -t gab
```

```
# /usr/sbin/svcadm disable -t vcs
```

- 5 To determine the packages to remove, enter:

```
# pkginfo | grep VRTS
```

- 6 To permanently remove the SFHA packages from the system, use the `pkgrm` command. Start by removing the following packages, which may have been optionally installed, in the order shown below.

On Solaris10:

```
# pkgrm VRTSvcsea
# pkgrm VRTSat
# pkgrm VRTSvcscag
# pkgrm VRTScps
# pkgrm VRTSvcsc
# pkgrm VRTSsamf
# pkgrm VRTSvxfen
# pkgrm VRTSgab
# pkgrm VRTSllt
# pkgrm VRTSspt
# pkgrm VRTSsfcp601
# pkgrm VRTSperl
# pkgrm VRTSvlic
```

On Solaris 11:

```
# pkg uninstall VRTSvcsea VRTSsat VRTSvcscag
VRTScps VRTSvcsc VRTSsamf VRTSvxfen VRTSgab VRTSllt VRTSspt
VRTSsfcp601 VRTSperal VRTSvlic
```

- 7 Remove the LLT and GAB configuration files.

```
# rm /etc/llttab
# rm /etc/gabtab
# rm /etc/llthosts
```

- 8 Remove the language packages and patches.

## Updating the Storage Foundation for Databases (SFDB) repository after removing a node

After removing a node from a cluster, you do not need to perform any steps to update the SFDB repository.

For information on removing the SFDB repository after removing the product:

See [“Removing the Storage Foundation for Databases \(SFDB\) repository after removing the product”](#) on page 375.

# Installation reference

- [Appendix A. SFHA services and ports](#)
- [Appendix B. Installation scripts](#)
- [Appendix C. Tunable files for installation](#)
- [Appendix D. Configuration files](#)
- [Appendix E. Configuring the secure shell or the remote shell for communications](#)
- [Appendix F. Storage Foundation and High Availability components](#)
- [Appendix G. Troubleshooting installation issues](#)
- [Appendix H. Troubleshooting cluster installation](#)
- [Appendix I. Sample SF HA cluster setup diagrams for CP server-based I/O fencing](#)
- [Appendix J. Reconciling major/minor numbers for NFS shared disks](#)
- [Appendix K. Configuring LLT over UDP](#)
- [Appendix L. Compatibility issues when installing Storage Foundation High Availability with other products](#)

# SFHA services and ports

This appendix includes the following topics:

- [About SFHA services and ports](#)

## About SFHA services and ports

If you have configured a firewall, ensure that the firewall settings allow access to the services and ports used by SFHA.

[Table A-1](#) lists the services and ports used by SFHA .

---

**Note:** The port numbers that appear in bold are mandatory for configuring SFHA.

---

**Table A-1** SFHA services and ports

| Port Number       | Protocol | Description                                                            | Process            |
|-------------------|----------|------------------------------------------------------------------------|--------------------|
| <b>2148 (TCP)</b> | TCP      | Veritas Enterprise Administrator (VEA) Server                          | vxsvc.exe          |
| 4145              | TCP/UDP  | VVR Connection Server<br>VCS Cluster Heartbeats                        | vxio.sys           |
| 4888              | TCP      | Veritas Scheduler Service<br>Use to launch the<br>configured schedule. | VxSchedService.exe |
| 5634              | HTTPS    | Veritas Storage Foundation<br>Messaging Service                        | xprtld.exe         |



**Table A-1** SFHA services and ports (*continued*)

| Port Number          | Protocol | Description                                                                                                                                   | Process                                                                                                                                        |
|----------------------|----------|-----------------------------------------------------------------------------------------------------------------------------------------------|------------------------------------------------------------------------------------------------------------------------------------------------|
| <b>7419</b>          | TCP      | Symantec Plugin Host Service<br><br>Solutions Configuration Center (SFWConfigPanel.exe)<br><br>CCF Engine (CEngineDriver.exe)                 | pluginHost.exe                                                                                                                                 |
| 8199                 | TCP      | Volume Replicator Administrative Service                                                                                                      | vras.dll                                                                                                                                       |
| 8989                 | TCP      | VVR Resync Utility                                                                                                                            | vxreserver.exe                                                                                                                                 |
| <b>14141</b>         | TCP      | Veritas High Availability Engine<br><br>Veritas Cluster Manager (Java console) (ClusterManager.exe)<br><br>VCS Agent driver (VCSAgDriver.exe) | had                                                                                                                                            |
| 14144                | TCP/UDP  | VCS Notification                                                                                                                              | Notifier.exe                                                                                                                                   |
| 14149                | TCP/UDP  | VCS Authentication                                                                                                                            | vcsauthserver                                                                                                                                  |
| <b>14150</b>         | TCP      | Veritas Command Server                                                                                                                        | CmdServer                                                                                                                                      |
| 14153, 15550 - 15558 | TCP/UDP  | VCS Cluster Simulator                                                                                                                         | hasim.exe<br><br>For more information about the ports used by the VCS Simulator, see the <i>Veritas Cluster Server Administrator's Guide</i> . |
| 14155                | TCP/UDP  | VCS Global Cluster Option (GCO)                                                                                                               | wac                                                                                                                                            |
| 14156                | TCP/UDP  | VCS Steward for GCO                                                                                                                           | steward                                                                                                                                        |
| 14250                | TCP      | Coordination Point Server                                                                                                                     | Vxcpserv                                                                                                                                       |

**Table A-1** SFHA services and ports (*continued*)

| Port Number | Protocol | Description               | Process                                                                        |
|-------------|----------|---------------------------|--------------------------------------------------------------------------------|
| 49152-65535 | TCP/UDP  | Volume Replicator Packets | User configurable ports created at kernel level by <code>vxio .sys</code> file |
| 14172       | TCP      | Webinstaller server       | xprt1wid                                                                       |

# Installation scripts

This appendix includes the following topics:

- [Installation script options](#)
- [About using the postcheck option](#)

## Installation script options

[Table B-1](#) shows command line options for the installation script. For an initial install or upgrade, options are not usually required. The installation script options apply to all Veritas Storage Foundation product scripts, except where otherwise noted.

See [“About the Veritas installer”](#) on page 40.

**Table B-1** Available command line options

| Commandline Option | Function                                                                                                                                                                                                                                                     |
|--------------------|--------------------------------------------------------------------------------------------------------------------------------------------------------------------------------------------------------------------------------------------------------------|
| -addnode           | Adds a node to a high availability cluster.                                                                                                                                                                                                                  |
| -allpkgs           | Displays all packages required for the specified product. The packages are listed in correct installation order. The output can be used to create scripts for command line installs, or for installations over a network.                                    |
| -comcleanup        | The <code>-comcleanup</code> option removes the secure shell or remote shell configuration added by installer on the systems. The option is only required when installation routines that performed auto-configuration of the shell are abruptly terminated. |
| -configure         | Configures the product after installation.                                                                                                                                                                                                                   |

**Table B-1** Available command line options (*continued*)

| Commandline Option                 | Function                                                                                                                                                                                                                                                                                             |
|------------------------------------|------------------------------------------------------------------------------------------------------------------------------------------------------------------------------------------------------------------------------------------------------------------------------------------------------|
| -fencing                           | Configures I/O fencing in a running cluster.                                                                                                                                                                                                                                                         |
| -hostfile <i>full_path_to_file</i> | Specifies the location of a file that contains a list of hostnames on which to install.                                                                                                                                                                                                              |
| -installallpkgs                    | The <code>-installallpkgs</code> option is used to select all packages.                                                                                                                                                                                                                              |
| -installrecpkgs                    | The <code>-installrecpkgs</code> option is used to select the recommended packages set.                                                                                                                                                                                                              |
| -installminpkgs                    | The <code>-installminpkgs</code> option is used to select the minimum packages set.                                                                                                                                                                                                                  |
| -ignorepatchreqs                   | The <code>-ignorepatchreqs</code> option is used to allow installation or upgrading even if the prerequisite packages or patches are missed on the system.                                                                                                                                           |
| -jumpstart <i>dir_path</i>         | Produces a sample finish file for Solaris JumpStart installation. The <i>dir_path</i> indicates the path to the directory in which to create the finish file.                                                                                                                                        |
| -keyfile <i>ssh_key_file</i>       | Specifies a key file for secure shell (SSH) installs. This option passes <code>-i ssh_key_file</code> to every SSH invocation.                                                                                                                                                                       |
| -license                           | Registers or updates product licenses on the specified systems.                                                                                                                                                                                                                                      |
| -logpath <i>log_path</i>           | Specifies a directory other than <code>/opt/VRTS/install/logs</code> as the location where installer log files, summary files, and response files are saved.                                                                                                                                         |
| -makeresponsefile                  | Use the <code>-makeresponsefile</code> option only to generate response files. No actual software installation occurs when you use this option.                                                                                                                                                      |
| -minpkgs                           | Displays the minimal packages required for the specified product. The packages are listed in correct installation order. Optional packages are not listed. The output can be used to create scripts for command line installs, or for installations over a network. See <code>allpkgs</code> option. |

**Table B-1** Available command line options (*continued*)

| Commandline Option           | Function                                                                                                                                                                                                                                                                                                 |
|------------------------------|----------------------------------------------------------------------------------------------------------------------------------------------------------------------------------------------------------------------------------------------------------------------------------------------------------|
| -nolic                       | Allows installation of product packages without entering a license key. Licensed features cannot be configured, started, or used when this option is specified.                                                                                                                                          |
| -pkginfo                     | Displays a list of packages and the order of installation in a human-readable format. This option only applies to the individual product installation scripts. For example, use the -pkginfo option with the installvcs script to display VCS packages.                                                  |
| -pkgpath <i>package_path</i> | Designates the path of a directory that contains all packages to install. The directory is typically an NFS-mounted location and must be accessible by all specified installation systems.                                                                                                               |
| -pkgset                      | Discovers and displays the package group (minimum, recommended, all) and packages that are installed on the specified systems.                                                                                                                                                                           |
| -pkgtable                    | Displays product's packages in correct installation order by group.                                                                                                                                                                                                                                      |
| -postcheck                   | Checks for different HA and file system-related processes, the availability of different ports, and the availability of cluster-related service groups.                                                                                                                                                  |
| -precheck                    | Performs a preinstallation check to determine if systems meet all installation requirements. Symantec recommends doing a precheck before installing a product.                                                                                                                                           |
| -recpkgs                     | Displays the recommended packages required for the specified product. The packages are listed in correct installation order. Optional packages are not listed. The output can be used to create scripts for command line installs, or for installations over a network. See <code>allpkgs</code> option. |
| -redirect                    | Displays progress details without showing the progress bar.                                                                                                                                                                                                                                              |

**Table B-1** Available command line options (*continued*)

| Commandline Option                 | Function                                                                                                                                                                                                                                                                                                                                   |
|------------------------------------|--------------------------------------------------------------------------------------------------------------------------------------------------------------------------------------------------------------------------------------------------------------------------------------------------------------------------------------------|
| -requirements                      | The <code>-requirements</code> option displays required OS version, required packages and patches, file system space, and other system requirements in order to install the product.                                                                                                                                                       |
| -responsefile <i>response_file</i> | Automates installation and configuration by using system and configuration information stored in a specified file instead of prompting for information. The <i>response_file</i> must be a full path name. You must edit the response file to use it for subsequent installations. Variable field definitions are defined within the file. |
| -rolling_upgrade                   | Starts a rolling upgrade. Using this option, the installer detects the rolling upgrade status on cluster systems automatically without the need to specify rolling upgrade phase 1 or phase 2 explicitly.                                                                                                                                  |
| -rollingupgrade_phase1             | The <code>-rollingupgrade_phase1</code> option is used to perform rolling upgrade Phase-I. In the phase, the product kernel packages get upgraded to the latest version.                                                                                                                                                                   |
| -rollingupgrade_phase2             | The <code>-rollingupgrade_phase2</code> option is used to perform rolling upgrade Phase-II. In the phase, VCS and other agent packages upgrade to the latest version. Product kernel drivers are rolling-upgraded to the latest protocol version.                                                                                          |
| -rootpath <i>root_path</i>         | Specifies an alternative root directory on which to install packages.<br><br>On Solaris operating systems, <code>-rootpath</code> passes <code>-R path</code> to <code>pkgadd</code> command.                                                                                                                                              |
| -rsh                               | Specify this option when you want to use RSH and RCP for communication between systems instead of the default SSH and SCP.<br><br>See <a href="#">“About configuring secure shell or remote shell communication modes before installing products”</a> on page 449.                                                                         |

**Table B-1** Available command line options (*continued*)

| Commandline Option                  | Function                                                                                                                                                                                                                                                                                                                                                                                                            |
|-------------------------------------|---------------------------------------------------------------------------------------------------------------------------------------------------------------------------------------------------------------------------------------------------------------------------------------------------------------------------------------------------------------------------------------------------------------------|
| -serial                             | Specifies that the installation script performs install, uninstall, start, and stop operations on each system in a serial fashion. If this option is not specified, these operations are performed simultaneously on all systems.                                                                                                                                                                                   |
| -settnables                         | Specify this option when you want to set tunable parameters after you install and configure a product. You may need to restart processes of the product for the tunable parameter values to take effect. You must use this option together with the <code>-tunablesfile</code> option.                                                                                                                              |
| -start                              | Starts the daemons and processes for the specified product.                                                                                                                                                                                                                                                                                                                                                         |
| -stop                               | Stops the daemons and processes for the specified product.                                                                                                                                                                                                                                                                                                                                                          |
| -timeout                            | The <code>-timeout</code> option is used to specify the number of seconds that the script should wait for each command to complete before timing out. Setting the <code>-timeout</code> option overrides the default value of 1200 seconds. Setting the <code>-timeout</code> option to 0 prevents the script from timing out. The <code>-timeout</code> option does not work with the <code>-serial</code> option. |
| -tmppath <i>tmp_path</i>            | Specifies a directory other than <code>/var/tmp</code> as the working directory for the installation scripts. This destination is where initial logging is performed and where packages are copied on remote systems before installation.                                                                                                                                                                           |
| -tunables                           | Lists all supported tunables and create a tunables file template.                                                                                                                                                                                                                                                                                                                                                   |
| -tunables_file <i>tunables_file</i> | Specify this option when you specify a tunables file. The tunables file should include tunable parameters.                                                                                                                                                                                                                                                                                                          |
| -upgrade                            | Specifies that an existing version of the product exists and you plan to upgrade it.                                                                                                                                                                                                                                                                                                                                |

**Table B-1** Available command line options (*continued*)

| Commandline Option     | Function                                                                                                                                                                                                                                                                                                                                                                                                    |
|------------------------|-------------------------------------------------------------------------------------------------------------------------------------------------------------------------------------------------------------------------------------------------------------------------------------------------------------------------------------------------------------------------------------------------------------|
| -upgrade_kernelpkgs    | The -upgrade_kernelpkgs option has been renamed to -rollingupgrade_phase1.                                                                                                                                                                                                                                                                                                                                  |
| -upgrade_nonkernelpkgs | The -upgrade_nonkernelpkgs option has been renamed to -rollingupgrade_phase2.                                                                                                                                                                                                                                                                                                                               |
| -version               | Checks and reports the installed products and their versions. Identifies the installed and missing packages and patches where applicable for the product. Provides a summary that includes the count of the installed and any missing packages and patches where applicable. Lists the installed patches, hotfixes, and available updates for the installed product if an Internet connection is available. |

## About using the postcheck option

You can use the installer's post-check to determine installation-related problems and to aid in troubleshooting.

---

**Note:** This command option requires downtime for the node.

---

When you use the `postcheck` option, it can help you troubleshoot the following VCS-related issues:

- The heartbeat link does not exist.
- The heartbeat link cannot communicate.
- The heartbeat link is a part of a bonded or aggregated NIC.
- A duplicated cluster ID exists (if LLT is not running at the check time).
- The VRTSllt pkg version is not consistent on the nodes.
- The llt-linkinstall value is incorrect.
- The llthosts(4) or llttab(4) configuration is incorrect.
- the `/etc/gabtab` file is incorrect.
- The incorrect GAB linkinstall value exists.
- The VRTSgab pkg version is not consistent on the nodes.



- The `main.cf` file or the `types.cf` file is invalid.
- The `/etc/VRTSvcs/conf/sysname` file is not consistent with the hostname.
- The cluster UUID does not exist.
- The `uuidconfig.pl` file is missing.
- The VRTSvcs pkg version is not consistent on the nodes.
- The `/etc/vxfenmode` file is missing or incorrect.
- The `/etc/vxfendg` file is invalid.
- The `vxfen link-install` value is incorrect.
- The VRTSvxfen pkg version is not consistent.

The `postcheck` option can help you troubleshoot the following SFHA or SFCFSHA issues:

- Volume Manager cannot start because the `/etc/vx/reconfig.d/state.d/install-db` file has not been removed.
- Volume Manager cannot start because the `volboot` file is not loaded.
- Volume Manager cannot start because no license exists.
- Cluster Volume Manager cannot start because the CVM configuration is incorrect in the `main.cf` file. For example, the `Autostartlist` value is missing on the nodes.
- Cluster Volume Manager cannot come online because the node ID in the `/etc/llthosts` file is not consistent.
- Cluster Volume Manager cannot come online because Vxfen is not started.
- Cluster Volume Manager cannot start because `gab` is not configured.
- Cluster Volume Manager cannot come online because of a CVM protocol mismatch.
- Cluster Volume Manager group name has changed from "cvm", which causes CVM to go offline.

You can use the installer's post-check option to perform the following checks:

General checks for all products:

- All the required packages are installed.
- The versions of the required packages are correct.
- There are no verification issues for the required packages.

Checks for Volume Manager (VM):

- Lists the daemons which are not running (`vxattachd`, `vxconfigbackupd`, `vxesd`, `vxrelocd` ...).
- Lists the disks which are not in 'online' or 'online shared' state (`vxdisk list`).
- Lists the diskgroups which are not in 'enabled' state (`vxdbg list`).
- Lists the volumes which are not in 'enabled' state (`vxprint -g <dname>`).
- Lists the volumes which are in 'Unstartable' state (`vxinfo -g <dname>`).
- Lists the volumes which are not configured in (AIX) `/etc/filesystems`, (Linux/HP-UX) `/etc/fstab`, or (SunOS) `/etc/vfstab`.

#### Checks for File System (FS):

- Lists the VxFS kernel modules which are not loaded (`vxfs/fdd/vxportal`).
- Whether all VxFS file systems present in (AIX) `/etc/filesystems`, (Linux/HP-UX) `/etc/fstab`, or (SunOS) `/etc/vfstab` file are mounted.
- Whether all VxFS file systems present in (AIX) `/etc/filesystems`, (Linux/HP-UX) `/etc/fstab`, or (SunOS) `/etc/vfstab` are in disk layout 6 or higher.
- Whether all mounted VxFS file systems are in disk layout 6 or higher.

#### Checks for Cluster File System:

- Whether FS and ODM are running at the latest protocol level.
- Whether all mounted CFS file systems are managed by VCS.
- Whether `cvm` service group is online.

See [“Performing a postcheck on a node”](#) on page 344.

# Tunable files for installation

This appendix includes the following topics:

- [About setting tunable parameters using the installer or a response file](#)
- [Setting tunables for an installation, configuration, or upgrade](#)
- [Setting tunables with no other installer-related operations](#)
- [Setting tunables with an un-integrated response file](#)
- [Preparing the tunables file](#)
- [Setting parameters for the tunables file](#)
- [Tunables value parameter definitions](#)

## About setting tunable parameters using the installer or a response file

You can set non-default product and system tunable parameters using a tunables file. With the file, you can set tunables such as the I/O policy or toggle native multi-pathing. The tunables file passes arguments to the installer script to set tunables. With the file, you can set the tunables for the following operations:

- When you install, configure, or upgrade systems.

```
# ./installer -tunablesfile tunables_file_name
```

See [“Setting tunables for an installation, configuration, or upgrade”](#) on page 420.

- When you apply the tunables file with no other installer-related operations.

```
# ./installer -tunablesfile tunables_file_name -settunables [  
system1 system2 ...]
```

See [“Setting tunables with no other installer-related operations”](#) on page 421.

- When you apply the tunables file with an un-integrated response file.

```
# ./installer -responsefile response_file_name -tunablesfile  
tunables_file_name
```

See [“Setting tunables with an un-integrated response file”](#) on page 422.

See [“About response files”](#) on page 40.

You must select the tunables that you want to use from this guide.

See [“Tunables value parameter definitions”](#) on page 424.

## Setting tunables for an installation, configuration, or upgrade

You can use a tunables file for installation procedures to set non-default tunables. You invoke the installation script with the `tunablesfile` option. The tunables file passes arguments to the script to set the selected tunables. You must select the tunables that you want to use from this guide.

See [“Tunables value parameter definitions”](#) on page 424.

---

**Note:** Certain tunables only take effect after a system reboot.

---

### To set the non-default tunables for an installation, configuration, or upgrade

- 1 Prepare the tunables file.  
See [“Preparing the tunables file”](#) on page 423.
- 2 Make sure the systems where you want to install SFHA meet the installation requirements.
- 3 Complete any preinstallation tasks.
- 4 Copy the tunables file to one of the systems where you want to install, configure, or upgrade the product.
- 5 Mount the product disc and navigate to the directory that contains the installation program.
- 6 Start the installer for the installation, configuration, or upgrade. For example:

```
# ./installer -tunablesfile /tmp/tunables_file
```

Where `/tmp/tunables_file` is the full path name for the tunables file.

- 7 Proceed with the operation. When prompted, accept the tunable parameters.  
Certain tunables are only activated after a reboot. Review the output carefully to determine if the system requires a reboot to set the tunable value.
- 8 The installer validates the tunables. If an error occurs, exit the installer and check the tunables file.

## Setting tunables with no other installer-related operations

You can use the installer to set tunable parameters without any other installer-related operations. You must use the parameters described in this guide. Note that many of the parameters are product-specific. You must select the tunables that you want to use from this guide.

See [“Tunables value parameter definitions”](#) on page 424.

---

**Note:** Certain tunables only take effect after a system reboot.

---

### To set tunables with no other installer-related operations

- 1 Prepare the tunables file.  
See [“Preparing the tunables file”](#) on page 423.
- 2 Make sure the systems where you want to install SFHA meet the installation requirements.
- 3 Complete any preinstallation tasks.
- 4 Copy the tunables file to one of the systems that you want to tune.
- 5 Mount the product disc and navigate to the directory that contains the installation program.
- 6 Start the installer with the `-setttunables` option.

```
# ./installer -tunablesfile tunables_file_name -setttunables [
sys123 sys234 ...]
```

Where `/tmp/tunables_file` is the full path name for the tunables file.

- 7 Proceed with the operation. When prompted, accept the tunable parameters.  
Certain tunables are only activated after a reboot. Review the output carefully to determine if the system requires a reboot to set the tunable value.
- 8 The installer validates the tunables. If an error occurs, exit the installer and check the tunables file.

## Setting tunables with an un-integrated response file

You can use the installer to set tunable parameters with an un-integrated response file. You must use the parameters described in this guide. Note that many of the parameters are product-specific. You must select the tunables that you want to use from this guide.

See [“Tunables value parameter definitions”](#) on page 424.

---

**Note:** Certain tunables only take effect after a system reboot.

---

### To set tunables with an un-integrated response file

- 1 Make sure the systems where you want to install SFHA meet the installation requirements.
- 2 Complete any preinstallation tasks.
- 3 Prepare the tunables file.  
See [“Preparing the tunables file”](#) on page 423.
- 4 Copy the tunables file to one of the systems that you want to tune.
- 5 Mount the product disc and navigate to the directory that contains the installation program.
- 6 Start the installer with the `-responsefile` and `-tunablesfile` options.

```
# ./installer -responsefile response_file_name -tunablesfile  
tunables_file_name
```

Where *response\_file\_name* is the full path name for the response file and *tunables\_file\_name* is the full path name for the tunables file.

- 7 Certain tunables are only activated after a reboot. Review the output carefully to determine if the system requires a reboot to set the tunable value.
- 8 The installer validates the tunables. If an error occurs, exit the installer and check the tunables file.

## Preparing the tunables file

A tunables file is a Perl module and consists of an opening and closing statement, with the tunables defined between. Use the hash symbol at the beginning of the line to comment out the line. The tunables file opens with the line "our %TUN;" and ends with the return true "1;" line. The final return true line only needs to appear once at the end of the file. Define each tunable parameter on its own line.

You can use the installer to create a tunables file template, or manually format tunables files you create.

### To create a tunables file template

- ◆ Start the installer with the `-tunables` option. Enter the following:

```
# ./installer -tunables
```

You see a list of all supported tunables, and the location of the tunables file template.

### To manually format tunables files

- ◆ Format the tunable parameter as follows:

```
$TUN{"tunable_name"}{"system_name"|"*"}=value_of_tunable;
```

For the *system\_name*, use the name of the system, its IP address, or a wildcard symbol. The *value\_of\_tunable* depends on the type of tunable you are setting. End the line with a semicolon.

The following is an example of a tunables file.

```
#  
# Tunable Parameter Values:  
#  
our %TUN;  
  
$TUN{"tunable1"}{"*"}=1024;  
$TUN{"tunable3"}{"sys123"}="SHA256";  
  
1;
```

## Setting parameters for the tunables file

Each tunables file defines different tunable parameters. The values that you can use are listed in the description of each parameter. Select the tunables that you want to add to the tunables file and then configure each parameter.

See [“Tunables value parameter definitions”](#) on page 424.

Each line for the parameter value starts with \$TUN. The name of the tunable is in curly brackets and double-quotes. The system name is enclosed in curly brackets and double-quotes. Finally define the value and end the line with a semicolon, for example:

```
$TUN{"dmp_daemon_count"}{"node123"}=16;
```

In this example, you are changing the dmp\_daemon\_count value from its default of 10 to 16. You can use the wildcard symbol "\*" for all systems. For example:

```
$TUN{"dmp_daemon_count"}{"*"}=16;
```

## Tunables value parameter definitions

When you create a tunables file for the installer you can only use the parameters in the following list.

Prior to making any updates to the tunables, refer to the *Veritas Storage Foundation and High Availability Solutions Tuning Guide* for detailed information on product tunable ranges and recommendations .

[Table C-1](#) describes the supported tunable parameters that can be specified in a tunables file.

**Table C-1** Supported tunable parameters

| Tunable             | Description                                                                                                                                                                                           |
|---------------------|-------------------------------------------------------------------------------------------------------------------------------------------------------------------------------------------------------|
| dmp_cache_open      | (Veritas Dynamic Multi-Pathing) Whether the first open on a device performed by an array support library (ASL) is cached. This tunable must be set after Veritas Dynamic Multi-Pathing is started.    |
| dmp_daemon_count    | (Veritas Dynamic Multi-Pathing) The number of kernel threads for DMP administrative tasks. This tunable must be set after Veritas Dynamic Multi-Pathing is started.                                   |
| dmp_delayq_interval | (Veritas Dynamic Multi-Pathing) The time interval for which DMP delays the error processing if the device is busy. This tunable must be set after Veritas Dynamic Multi-Pathing is started.           |
| dmp_fast_recovery   | (Veritas Dynamic Multi-Pathing) Whether DMP should attempt to obtain SCSI error information directly from the HBA interface. This tunable must be set after Veritas Dynamic Multi-Pathing is started. |



**Table C-1** Supported tunable parameters (*continued*)

| Tunable                 | Description                                                                                                                                                                                                       |
|-------------------------|-------------------------------------------------------------------------------------------------------------------------------------------------------------------------------------------------------------------|
| dmp_health_time         | (Veritas Dynamic Multi-Pathing) The time in seconds for which a path must stay healthy. This tunable must be set after Veritas Dynamic Multi-Pathing is started.                                                  |
| dmp_log_level           | (Veritas Dynamic Multi-Pathing) The level of detail to which DMP console messages are displayed. This tunable must be set after Veritas Dynamic Multi-Pathing is started.                                         |
| dmp_low_impact_probe    | (Veritas Dynamic Multi-Pathing) Whether the low impact path probing feature is enabled. This tunable must be set after Veritas Dynamic Multi-Pathing is started.                                                  |
| dmp_lun_retry_timeout   | (Veritas Dynamic Multi-Pathing) The retry period for handling transient errors. This tunable must be set after Veritas Dynamic Multi-Pathing is started.                                                          |
| dmp_monitor_fabric      | (Veritas Dynamic Multi-Pathing) Whether the Event Source daemon (vxesd) uses the Storage Networking Industry Association (SNIA) HBA API. This tunable must be set after Veritas Dynamic Multi-Pathing is started. |
| dmp_monitor_osevent     | (Veritas Dynamic Multi-Pathing) Whether the Event Source daemon (vxesd) monitors operating system events. This tunable must be set after Veritas Dynamic Multi-Pathing is started.                                |
| dmp_monitor_ownership   | (Veritas Dynamic Multi-Pathing) Whether the dynamic change in LUN ownership is monitored. This tunable must be set after Veritas Dynamic Multi-Pathing is started.                                                |
| dmp_native_multipathing | (Veritas Dynamic Multi-Pathing) Whether DMP will intercept the I/Os directly on the raw OS paths or not. This tunable must be set after Veritas Dynamic Multi-Pathing is started.                                 |
| dmp_native_support      | (Veritas Dynamic Multi-Pathing) Whether DMP does multi-pathing for native devices. This tunable must be set after Veritas Dynamic Multi-Pathing is started.                                                       |
| dmp_path_age            | (Veritas Dynamic Multi-Pathing) The time for which an intermittently failing path needs to be monitored before DMP marks it as healthy. This tunable must be set after Veritas Dynamic Multi-Pathing is started.  |

**Table C-1** Supported tunable parameters (*continued*)

| Tunable                   | Description                                                                                                                                                                                                                         |
|---------------------------|-------------------------------------------------------------------------------------------------------------------------------------------------------------------------------------------------------------------------------------|
| dmp_pathswitch_blks_shift | (Veritas Dynamic Multi-Pathing) The default number of contiguous I/O blocks sent along a DMP path to an array before switching to the next available path. This tunable must be set after Veritas Dynamic Multi-Pathing is started. |
| dmp_probe_idle_lun        | (Veritas Dynamic Multi-Pathing) Whether the path restoration kernel thread probes idle LUNs. This tunable must be set after Veritas Dynamic Multi-Pathing is started.                                                               |
| dmp_probe_threshold       | (Veritas Dynamic Multi-Pathing) The number of paths will be probed by the restore daemon. This tunable must be set after Veritas Dynamic Multi-Pathing is started.                                                                  |
| dmp_restore_cycles        | (Veritas Dynamic Multi-Pathing) The number of cycles between running the check_all policy when the restore policy is check_periodic. This tunable must be set after Veritas Dynamic Multi-Pathing is started.                       |
| dmp_restore_interval      | (Veritas Dynamic Multi-Pathing) The time interval in seconds the restore daemon analyzes the condition of paths. This tunable must be set after Veritas Dynamic Multi-Pathing is started.                                           |
| dmp_restore_policy        | (Veritas Dynamic Multi-Pathing) The policy used by DMP path restoration thread. This tunable must be set after Veritas Dynamic Multi-Pathing is started.                                                                            |
| dmp_restore_state         | (Veritas Dynamic Multi-Pathing) Whether kernel thread for DMP path restoration is started. This tunable must be set after Veritas Dynamic Multi-Pathing is started.                                                                 |
| dmp_retry_count           | (Veritas Dynamic Multi-Pathing) The number of times a path reports a path busy error consecutively before DMP marks the path as failed. This tunable must be set after Veritas Dynamic Multi-Pathing is started.                    |
| dmp_scsi_timeout          | (Veritas Dynamic Multi-Pathing) The timeout value for any SCSI command sent via DMP. This tunable must be set after Veritas Dynamic Multi-Pathing is started.                                                                       |
| dmp_sfg_threshold         | (Veritas Dynamic Multi-Pathing) The status of the subpaths failover group (SFG) feature. This tunable must be set after Veritas Dynamic Multi-Pathing is started.                                                                   |

**Table C-1** Supported tunable parameters (*continued*)

| Tunable                | Description                                                                                                                                                                                                                                                                                                                                                           |
|------------------------|-----------------------------------------------------------------------------------------------------------------------------------------------------------------------------------------------------------------------------------------------------------------------------------------------------------------------------------------------------------------------|
| dmp_stat_interval      | (Veritas Dynamic Multi-Pathing) The time interval between gathering DMP statistics. This tunable must be set after Veritas Dynamic Multi-Pathing is started.                                                                                                                                                                                                          |
| max_diskq              | (Veritas File System) Specifies the maximum disk queue generated by a single file. The installer sets only the system default value of max_diskq. Refer to the tuneftab(4) manual page for setting this tunable for a specified block device.                                                                                                                         |
| read_ahead             | (Veritas File System) The 0 value disables read ahead functionality, the 1 value (default) retains traditional sequential read ahead behavior, and the 2 value enables enhanced read ahead for all reads. The installer sets only the system default value of read_ahead. Refer to the tuneftab(4) manual page for setting this tunable for a specified block device. |
| read_nstream           | (Veritas File System) The number of parallel read requests of size read_pref_io that can be outstanding at one time. The installer sets only the system default value of read_nstream. Refer to the tuneftab(4) manual page for setting this tunable for a specified block device.                                                                                    |
| read_pref_io           | (Veritas File System) The preferred read request size. The installer sets only the system default value of read_pref_io. Refer to the tuneftab(4) manual page for setting this tunable for a specified block device.                                                                                                                                                  |
| vol_checkpoint_default | (Veritas File System) Size of VxVM storage checkpoints (sectors). This tunable requires system reboot to take effect.                                                                                                                                                                                                                                                 |
| vol_cmpres_enabled     | (Veritas Volume Manager) Allow enabling compression for VERITAS Volume Replicator.                                                                                                                                                                                                                                                                                    |
| vol_cmpres_threads     | (Veritas Volume Manager) Maximum number of compression threads for VERITAS Volume Replicator.                                                                                                                                                                                                                                                                         |
| vol_default_iodelay    | (Veritas Volume Manager) Time to pause between I/O requests from VxVM utilities (10ms units). This tunable requires system reboot to take effect.                                                                                                                                                                                                                     |

**Table C-1** Supported tunable parameters (*continued*)

| Tunable                | Description                                                                                                                                                   |
|------------------------|---------------------------------------------------------------------------------------------------------------------------------------------------------------|
| vol_fmr_logsz          | (Veritas Volume Manager) Maximum size of bitmap Fast Mirror Resync uses to track changed blocks (KBytes). This tunable requires system reboot to take effect. |
| vol_max_adminio_poolsz | (Veritas Volume Manager) Maximum amount of memory used by VxVM admin I/O's (bytes). This tunable requires system reboot to take effect.                       |
| vol_max_nm_pool_sz     | (Veritas Volume Manager) Maximum name pool size (bytes).                                                                                                      |
| vol_max_rdback_sz      | (Veritas Volume Manager) Storage Record readback pool maximum (bytes).                                                                                        |
| vol_max_wrspool_sz     | (Veritas Volume Manager) Maximum memory used in clustered version of VERITAS Volume Replicator (bytes).                                                       |
| vol_maxio              | (Veritas Volume Manager) Maximum size of logical VxVM I/O operations (sectors). This tunable requires system reboot to take effect.                           |
| vol_maxioctl           | (Veritas Volume Manager) Maximum size of data passed into the VxVM ioctl calls (bytes). This tunable requires system reboot to take effect.                   |
| vol_maxparallelio      | (Veritas Volume Manager) Number of I/O operations vxconfigd can request at one time. This tunable requires system reboot to take effect.                      |
| vol_maxspecialio       | (Veritas Volume Manager) Maximum size of a VxVM I/O operation issued by an ioctl call (sectors). This tunable requires system reboot to take effect.          |
| vol_min_lowmem_sz      | (Veritas Volume Manager) Low water mark for memory (bytes).                                                                                                   |
| vol_nm_hb_timeout      | (Veritas Volume Manager) Veritas Volume Replicator timeout value (ticks).                                                                                     |
| vol_rvio_maxpool_sz    | (Veritas Volume Manager) Maximum memory requested by VERITAS Volume Replicator (bytes).                                                                       |
| vol_stats_enable       | (Veritas Volume Manager) Enable VxVM I/O stat collection.                                                                                                     |

**Table C-1** Supported tunable parameters (*continued*)

| Tunable                     | Description                                                                                                                                               |
|-----------------------------|-----------------------------------------------------------------------------------------------------------------------------------------------------------|
| vol_subdisk_num             | (Veritas Volume Manager) Maximum number of subdisks attached to a single VxVM plex. This tunable requires system reboot to take effect.                   |
| voldrl_max_drtregs          | (Veritas Volume Manager) Maximum number of dirty VxVM regions that can exist on a non-sequential DRL. This tunable requires system reboot to take effect. |
| voldrl_max_seq_dirty        | (Veritas Volume Manager) Maximum number of dirty regions in sequential mode. This tunable requires system reboot to take effect.                          |
| voldrl_min_regionsz         | (Veritas Volume Manager) Minimum size of a VxVM Dirty Region Logging (DRL) region (sectors). This tunable requires system reboot to take effect.          |
| voldrl_volumemax_drtregs    | (Veritas Volume Manager) Max per volume dirty regions in log-plex DRL.                                                                                    |
| voldrl_volumemax_drtregs_20 | (Veritas Volume Manager) Max per volume dirty regions in DCO version 20.                                                                                  |
| voldrl_dirty_regions        | (Veritas Volume Manager) Number of regions cached for DCO version 30.                                                                                     |
| voliomem_chunk_size         | (Veritas Volume Manager) Size of VxVM memory allocation requests (bytes). This tunable requires system reboot to take effect.                             |
| voliomem_maxpool_sz         | (Veritas Volume Manager) Maximum amount of memory used by VxVM (bytes). This tunable requires system reboot to take effect.                               |
| voliot_errbuf_dflt          | (Veritas Volume Manager) Size of a VxVM error trace buffer (bytes). This tunable requires system reboot to take effect.                                   |
| voliot_iobuf_default        | (Veritas Volume Manager) Default size of a VxVM I/O trace buffer (bytes). This tunable requires system reboot to take effect.                             |
| voliot_iobuf_limit          | (Veritas Volume Manager) Maximum total size of all VxVM I/O trace buffers (bytes). This tunable requires system reboot to take effect.                    |

**Table C-1** Supported tunable parameters (*continued*)

| Tunable              | Description                                                                                                                                                                                                                                                                            |
|----------------------|----------------------------------------------------------------------------------------------------------------------------------------------------------------------------------------------------------------------------------------------------------------------------------------|
| voliot_jobuf_max     | (Veritas Volume Manager) Maximum size of a VxVM I/O trace buffer (bytes). This tunable requires system reboot to take effect.                                                                                                                                                          |
| voliot_max_open      | (Veritas Volume Manager) Maximum number of VxVM trace channels available for vxtrace commands. This tunable requires system reboot to take effect.                                                                                                                                     |
| volpagemod_max_memsz | (Veritas Volume Manager) Maximum paging module memory used by Instant Snapshots (Kbytes).                                                                                                                                                                                              |
| volraid_rsrtransmax  | (Veritas Volume Manager) Maximum number of VxVM RAID-5 transient reconstruct operations in parallel. This tunable requires system reboot to take effect.                                                                                                                               |
| vx_era_nthreads      | (Veritas File System) Maximum number of threads VxFS will detect read_ahed patterns on. This tunable requires system reboot to take effect.                                                                                                                                            |
| vx_bc_bufhwm         | (Veritas File System) VxFS metadata buffer cache high water mark. This tunable requires system reboot to take effect.                                                                                                                                                                  |
| vxfs_ninode          | (Veritas File System) Number of entries in the VxFS inode table. This tunable requires system reboot to take effect.                                                                                                                                                                   |
| write_nstream        | (Veritas File System) The number of parallel write requests of size write_pref_io that can be outstanding at one time. The installer sets only the system default value of write_nstream. Refer to the tunefstab(4) manual page for setting this tunable for a specified block device. |
| write_pref_io        | (Veritas File System) The preferred write request size. The installer sets only the system default value of write_pref_io. Refer to the tunefstab(4) manual page for setting this tunable for a specified block device.                                                                |

# Configuration files

This appendix includes the following topics:

- [About the LLT and GAB configuration files](#)
- [About the AMF configuration files](#)
- [About the VCS configuration files](#)
- [About I/O fencing configuration files](#)
- [Sample configuration files for CP server](#)

## About the LLT and GAB configuration files

Low Latency Transport (LLT) and Group Membership and Atomic Broadcast (GAB) are VCS communication services. LLT requires `/etc/llthosts` and `/etc/llttab` files. GAB requires `/etc/gabtab` file.

[Table D-1](#) lists the LLT configuration files and the information that these files contain.

**Table D-1**      LLT configuration files

| File                          | Description                                                                                                                                                                                                                                                                                                                                                                                                                                                                                                                                                                                                                                                                                                                                                                           |
|-------------------------------|---------------------------------------------------------------------------------------------------------------------------------------------------------------------------------------------------------------------------------------------------------------------------------------------------------------------------------------------------------------------------------------------------------------------------------------------------------------------------------------------------------------------------------------------------------------------------------------------------------------------------------------------------------------------------------------------------------------------------------------------------------------------------------------|
| <code>/etc/default/llt</code> | <p>This file stores the start and stop environment variables for LLT:</p> <ul style="list-style-type: none"> <li>■ <b>LLT_START</b>—Defines the startup behavior for the LLT module after a system reboot. Valid values include: <ul style="list-style-type: none"> <li>1—Indicates that LLT is enabled to start up.</li> <li>0—Indicates that LLT is disabled to start up.</li> </ul> </li> <li>■ <b>LLT_STOP</b>—Defines the shutdown behavior for the LLT module during a system shutdown. Valid values include: <ul style="list-style-type: none"> <li>1—Indicates that LLT is enabled to shut down.</li> <li>0—Indicates that LLT is disabled to shut down.</li> </ul> </li> </ul> <p>The installer sets the value of these variables to 1 at the end of SFHA configuration.</p> |
| <code>/etc/llthosts</code>    | <p>The file <code>llthosts</code> is a database that contains one entry per system. This file links the LLT system ID (in the first column) with the LLT host name. This file must be identical on each node in the cluster. A mismatch of the contents of the file can cause indeterminate behavior in the cluster.</p> <p>For example, the file <code>/etc/llthosts</code> contains the entries that resemble:</p> <pre style="margin-left: 40px;"> 0      sys1 1      sys2 </pre>                                                                                                                                                                                                                                                                                                  |



**Table D-1**      LLT configuration files (*continued*)

| File                     | Description                                                                                                                                                                                                                                                                                                                                                                                                                                                                                                                                                                                                                                                                                                                                                                                                                                                                                                                                                                                                                                                                                                                                                                                                                                                                                            |
|--------------------------|--------------------------------------------------------------------------------------------------------------------------------------------------------------------------------------------------------------------------------------------------------------------------------------------------------------------------------------------------------------------------------------------------------------------------------------------------------------------------------------------------------------------------------------------------------------------------------------------------------------------------------------------------------------------------------------------------------------------------------------------------------------------------------------------------------------------------------------------------------------------------------------------------------------------------------------------------------------------------------------------------------------------------------------------------------------------------------------------------------------------------------------------------------------------------------------------------------------------------------------------------------------------------------------------------------|
| <code>/etc/llttab</code> | <p>The file <code>llttab</code> contains the information that is derived during installation and used by the utility <code>lltconfig(1M)</code>. After installation, this file lists the private network links that correspond to the specific system. For example, the file <code>/etc/llttab</code> contains the entries that resemble the following:</p> <ul style="list-style-type: none"> <li>■ For Solaris SPARC: <pre> set-node sys1 set-cluster 2 link bge0 /dev/bge0 - ether - - link bge1 /dev/bge1 - ether - - </pre> </li> <li>■ For Solaris x64: <pre> set-node sys1 set-cluster 2 link e1000g1 /dev/e1000g:1 - ether - - link e1000g2 /dev/e1000g:2 - ether - - </pre> </li> </ul> <p>The first line identifies the system. The second line identifies the cluster (that is, the cluster ID you entered during installation). The next two lines begin with the <code>link</code> command. These lines identify the two network cards that the LLT protocol uses.</p> <p>If you configured a low priority link under LLT, the file also includes a "link-lowpri" line.</p> <p>Refer to the <code>llttab(4)</code> manual page for details about how the LLT configuration may be modified. The manual page describes the ordering of the directives in the <code>llttab</code> file.</p> |

[Table D-2](#) lists the GAB configuration files and the information that these files contain.

**Table D-2** GAB configuration files

| File                          | Description                                                                                                                                                                                                                                                                                                                                                                                                                                                                                                                                                                                                                                                                                                                                                                                                                                                                                      |
|-------------------------------|--------------------------------------------------------------------------------------------------------------------------------------------------------------------------------------------------------------------------------------------------------------------------------------------------------------------------------------------------------------------------------------------------------------------------------------------------------------------------------------------------------------------------------------------------------------------------------------------------------------------------------------------------------------------------------------------------------------------------------------------------------------------------------------------------------------------------------------------------------------------------------------------------|
| <code>/etc/default/gab</code> | <p>This file stores the start and stop environment variables for GAB:</p> <ul style="list-style-type: none"> <li>■ <b>GAB_START</b>—Defines the startup behavior for the GAB module after a system reboot. Valid values include: <ul style="list-style-type: none"> <li>1—Indicates that GAB is enabled to start up.</li> <li>0—Indicates that GAB is disabled to start up.</li> </ul> </li> <li>■ <b>GAB_STOP</b>—Defines the shutdown behavior for the GAB module during a system shutdown. Valid values include: <ul style="list-style-type: none"> <li>1—Indicates that GAB is enabled to shut down.</li> <li>0—Indicates that GAB is disabled to shut down.</li> </ul> </li> </ul> <p>The installer sets the value of these variables to 1 at the end of SFHA configuration.</p>                                                                                                            |
| <code>/etc/gabtab</code>      | <p>After you install SFHA, the file <code>/etc/gabtab</code> contains a <code>gabconfig(1)</code> command that configures the GAB driver for use.</p> <p>The file <code>/etc/gabtab</code> contains a line that resembles:</p> <pre style="margin-left: 40px;">/sbin/gabconfig -c -nN</pre> <p>The <code>-c</code> option configures the driver for use. The <code>-nN</code> specifies that the cluster is not formed until at least <i>N</i> nodes are ready to form the cluster. Symantec recommends that you set <i>N</i> to be the total number of nodes in the cluster.</p> <p><b>Note:</b> Symantec does not recommend the use of the <code>-c -x</code> option for <code>/sbin/gabconfig</code>. Using <code>-c -x</code> can lead to a split-brain condition. Use the <code>-c</code> option for <code>/sbin/gabconfig</code> to avoid a split-brain condition.</p> <p><b>Note:</b></p> |

## About the AMF configuration files

Asynchronous Monitoring Framework (AMF) kernel driver provides asynchronous event notifications to the VCS agents that are enabled for intelligent resource monitoring.

[Table D-3](#) lists the AMF configuration files.

**Table D-3** AMF configuration files

| File                          | Description                                                                                                                                                                                                                                                                                                                                                                                                                                                                                                                                                                                                                                                                                                                                                                                                                |
|-------------------------------|----------------------------------------------------------------------------------------------------------------------------------------------------------------------------------------------------------------------------------------------------------------------------------------------------------------------------------------------------------------------------------------------------------------------------------------------------------------------------------------------------------------------------------------------------------------------------------------------------------------------------------------------------------------------------------------------------------------------------------------------------------------------------------------------------------------------------|
| <code>/etc/default/amf</code> | <p>This file stores the start and stop environment variables for AMF:</p> <ul style="list-style-type: none"> <li>■ <b>AMF_START</b>—Defines the startup behavior for the AMF module after a system reboot or when AMF is attempted to start using the init script. Valid values include: <ul style="list-style-type: none"> <li>1—Indicates that AMF is enabled to start up. (default)</li> <li>0—Indicates that AMF is disabled to start up.</li> </ul> </li> <li>■ <b>AMF_STOP</b>—Defines the shutdown behavior for the AMF module during a system shutdown or when AMF is attempted to stop using the init script. Valid values include: <ul style="list-style-type: none"> <li>1—Indicates that AMF is enabled to shut down. (default)</li> <li>0—Indicates that AMF is disabled to shut down.</li> </ul> </li> </ul> |
| <code>/etc/amftab</code>      | <p>After you install VCS, the file <code>/etc/amftab</code> contains a <code>amfconfig(1)</code> command that configures the AMF driver for use.</p> <p>The AMF init script uses this <code>/etc/amftab</code> file to configure the AMF driver. The <code>/etc/amftab</code> file contains the following line by default:</p> <pre><code>/opt/VRTSamf/bin/amfconfig -c</code></pre>                                                                                                                                                                                                                                                                                                                                                                                                                                       |

## About the VCS configuration files

VCS configuration files include the following:

- `main.cf`  
The installer creates the VCS configuration file in the `/etc/VRTSvcs/conf/config` folder by default during the SFHA configuration. The `main.cf` file contains the minimum information that defines the cluster and its nodes.  
See [“Sample main.cf file for VCS clusters”](#) on page 437.  
See [“Sample main.cf file for global clusters”](#) on page 438.
- `types.cf`  
The file `types.cf`, which is listed in the include statement in the `main.cf` file, defines the VCS bundled types for VCS resources. The file `types.cf` is also located in the folder `/etc/VRTSvcs/conf/config`.  
Additional files similar to `types.cf` may be present if agents have been added, such as `OracleTypes.cf`.
- `/etc/default/vcs`  
This file stores the start and stop environment variables for VCS engine:

- **VCS\_START**—Defines the startup behavior for VCS engine after a system reboot. Valid values include:
  - 1—Indicates that VCS engine is enabled to start up.
  - 0—Indicates that VCS engine is disabled to start up.
- **VCS\_STOP**—Defines the shutdown behavior for VCS engine during a system shutdown. Valid values include:
  - 1—Indicates that VCS engine is enabled to shut down.
  - 0—Indicates that VCS engine is disabled to shut down.
 The installer sets the value of these variables to 1 at the end of SFHA configuration.
- **ONENODE**-Option for VCS to form a single node cluster. Valid values include:
  - Yes-Indicates that VCS is started as a single-node cluster.
  - No-Indicates that VCS is not set to form a single-node cluster.

Note the following information about the VCS configuration file after installing and configuring VCS:

- The cluster definition includes the cluster information that you provided during the configuration. This definition includes the cluster name, cluster address, and the names of users and administrators of the cluster.  
 Notice that the cluster has an attribute `UserNames`. The `installsfha` creates a user "admin" whose password is encrypted; the word "password" is the default password.
- If you set up the optional I/O fencing feature for VCS, then the `UseFence = SCSI3` attribute is present.
- If you configured the cluster in secure mode, the `main.cf` includes "`SecureClus = 1`" cluster attribute.
- The `installsfha` creates the `ClusterService` service group if you configured the virtual IP, SMTP, SNMP, or global cluster options.  
 The service group also has the following characteristics:
  - The group includes the IP and NIC resources.
  - The service group also includes the notifier resource configuration, which is based on your input to `installsfha` prompts about notification.
  - The `installsfha` also creates a resource dependency tree.
  - If you set up global clusters, the `ClusterService` service group contains an Application resource, `wac` (wide-area connector). This resource's attributes contain definitions for controlling the cluster in a global cluster environment. Refer to the *Veritas Cluster Server Administrator's Guide* for information about managing VCS global clusters.

Refer to the *Veritas Cluster Server Administrator's Guide* to review the configuration concepts, and descriptions of `main.cf` and `types.cf` files for Solaris systems.

## Sample `main.cf` file for VCS clusters

The following sample `main.cf` file is for a three-node cluster in secure mode.

```
include "types.cf"
include "OracleTypes.cf"
include "OracleASMTTypes.cf"
include "Db2udbTypes.cf"
include "SybaseTypes.cf"

cluster vcs02 (
    SecureClus = 1
)

system sysA (
)

system sysB (
)

system sysC (
)

group ClusterService (
    SystemList = { sysA = 0, sysB = 1, sysC = 2 }
    AutoStartList = { sysA, sysB, sysC }
    OnlineRetryLimit = 3
    OnlineRetryInterval = 120
)

NIC csgnic (
    Device = bge0
    NetworkHosts = { "10.182.13.1" }
)

NotifierMngr ntfr (
    SnmpConsoles = { sys4" = SevereError }
    SntpServer = "smtp.example.com"
    SntpRecipients = { "ozzie@example.com" = SevereError }
```

```
)

ntfr requires csgnic

// resource dependency tree
//
//   group ClusterService
//   {
//     NotifierMngr ntfr
//     {
//       NIC csgnic
//     }
//   }
// }
```

## Sample main.cf file for global clusters

If you installed SFHA with the Global Cluster option, note that the ClusterService group also contains the Application resource, wac. The wac resource is required to control the cluster in a global cluster environment.

In the following main.cf file example, bold text highlights global cluster specific entries.

```
include "types.cf"

cluster vcs03 (
    ClusterAddress = "10.182.13.50"
    SecureClus = 1
)

system sysA (
)

system sysB (
)

system sysC (
)

group ClusterService (
    SystemList = { sysA = 0, sysB = 1, sysC = 2 }
    AutoStartList = { sysA, sysB, sysC }
    OnlineRetryLimit = 3
)
```

```
OnlineRetryInterval = 120
)

Application wac (
    StartProgram = "/opt/VRTSvcs/bin/wacstart -secure"
    StopProgram = "/opt/VRTSvcs/bin/wacstop"
    MonitorProcesses = { "/opt/VRTSvcs/bin/wac -secure" }
    RestartLimit = 3
)

IP gcoip (
    Device = bge0
    Address = "10.182.13.50"
    NetMask = "255.255.240.0"
)

NIC csgnic (
    Device = bge0
    NetworkHosts = { "10.182.13.1" }
)

NotifierMngr ntfr (
    SnmpConsoles = { sys4 = SevereError }
    SntpServer = "smtp.example.com"
    SntpRecipients = { "ozzie@example.com" = SevereError }
)

gcoip requires csgnic
ntfr requires csgnic
wac requires gcoip

// resource dependency tree
//
//   group ClusterService
//   {
//     NotifierMngr ntfr
//     {
//       NIC csgnic
//     }
//   }
//   Application wac
//   {
//     IP gcoip
```

```
//      {
//      NIC csgnic
//      }
//    }
//  }
```

## About I/O fencing configuration files

[Table D-4](#) lists the I/O fencing configuration files.

**Table D-4** I/O fencing configuration files

| File               | Description                                                                                                                                                                                                                                                                                                                                                                                                                                                                                                                                                                                                                                                                                                                                                                                                                                                     |
|--------------------|-----------------------------------------------------------------------------------------------------------------------------------------------------------------------------------------------------------------------------------------------------------------------------------------------------------------------------------------------------------------------------------------------------------------------------------------------------------------------------------------------------------------------------------------------------------------------------------------------------------------------------------------------------------------------------------------------------------------------------------------------------------------------------------------------------------------------------------------------------------------|
| /etc/default/vxfen | <p>This file stores the start and stop environment variables for I/O fencing:</p> <ul style="list-style-type: none"> <li>■ VXFEN_START—Defines the startup behavior for the I/O fencing module after a system reboot. Valid values include:               <ul style="list-style-type: none"> <li>1—Indicates that I/O fencing is enabled to start up.</li> <li>0—Indicates that I/O fencing is disabled to start up.</li> </ul> </li> <li>■ VXFEN_STOP—Defines the shutdown behavior for the I/O fencing module during a system shutdown. Valid values include:               <ul style="list-style-type: none"> <li>1—Indicates that I/O fencing is enabled to shut down.</li> <li>0—Indicates that I/O fencing is disabled to shut down.</li> </ul> </li> </ul> <p>The installer sets the value of these variables to 1 at the end of SFHA configuration.</p> |
| /etc/vxfendg       | <p>This file includes the coordinator disk group information.</p> <p>This file is not applicable for server-based fencing.</p>                                                                                                                                                                                                                                                                                                                                                                                                                                                                                                                                                                                                                                                                                                                                  |



**Table D-4** I/O fencing configuration files (*continued*)

| File           | Description                                                                                                                                                                                                                                                                                                                                                                                                                                                                                                                                                                                                                                                                                                                                                                                                                                                                                                                                                                                                                                                                                                                                                                                                                                                                                                                                                                                                                                                                                                                                                                                                                                                                                                                                                                                                                                                                                                                                                                                                                                                                                                                                                                                                                                                                                                                                                                                                                                                                                                                                                |
|----------------|------------------------------------------------------------------------------------------------------------------------------------------------------------------------------------------------------------------------------------------------------------------------------------------------------------------------------------------------------------------------------------------------------------------------------------------------------------------------------------------------------------------------------------------------------------------------------------------------------------------------------------------------------------------------------------------------------------------------------------------------------------------------------------------------------------------------------------------------------------------------------------------------------------------------------------------------------------------------------------------------------------------------------------------------------------------------------------------------------------------------------------------------------------------------------------------------------------------------------------------------------------------------------------------------------------------------------------------------------------------------------------------------------------------------------------------------------------------------------------------------------------------------------------------------------------------------------------------------------------------------------------------------------------------------------------------------------------------------------------------------------------------------------------------------------------------------------------------------------------------------------------------------------------------------------------------------------------------------------------------------------------------------------------------------------------------------------------------------------------------------------------------------------------------------------------------------------------------------------------------------------------------------------------------------------------------------------------------------------------------------------------------------------------------------------------------------------------------------------------------------------------------------------------------------------------|
| /etc/vxfenmode | <p>This file contains the following parameters:</p> <ul style="list-style-type: none"> <li>■ <code>vxfen_mode</code> <ul style="list-style-type: none"> <li>■ <code>scsi3</code>—For disk-based fencing</li> <li>■ <code>customized</code>—For server-based fencing</li> <li>■ <code>disabled</code>—To run the I/O fencing driver but not do any fencing operations.</li> </ul> </li> <li>■ <code>vxfen_mechanism</code><br/> This parameter is applicable only for server-based fencing. Set the value as <code>cps</code>.</li> <li>■ <code>scsi3_disk_policy</code> <ul style="list-style-type: none"> <li>■ <code>dmp</code>—Configure the vxfen module to use DMP devices<br/> The disk policy is <code>dmp</code> by default. If you use iSCSI devices, you must set the disk policy as <code>dmp</code>.</li> <li>■ <code>raw</code>—Configure the vxfen module to use the underlying raw character devices</li> </ul> <p><b>Note:</b> You must use the same SCSI-3 disk policy on all the nodes.</p> </li> <li>■ <code>security</code><br/> This parameter is applicable only for server-based fencing.<br/> 1—Indicates that communication with the CP server is in secure mode. This setting is the default.<br/> 0—Indicates that communication with the CP server is in non-secure mode.</li> <li>■ List of coordination points<br/> This list is required only for server-based fencing configuration.<br/> Coordination points in server-based fencing can include coordinator disks, CP servers, or both. If you use coordinator disks, you must create a coordinator disk group containing the individual coordinator disks.<br/> Refer to the sample file <code>/etc/vxfen.d/vxfenmode_cps</code> for more information on how to specify the coordination points and multiple IP addresses for each CP server.</li> <li>■ <code>single_cp</code><br/> This parameter is applicable for server-based fencing which uses a single highly available CP server as its coordination point. Also applicable for when you use a coordinator disk group with single disk.</li> <li>■ <code>autoseed_gab_timeout</code><br/> This parameter enables GAB automatic seeding of the cluster even when some cluster nodes are unavailable. This feature requires that I/O fencing is enabled.<br/> 0—Turns the GAB auto-seed feature on. Any value greater than 0 indicates the number of seconds that GAB must delay before it automatically seeds the cluster.<br/> -1—Turns the GAB auto-seed feature off. This setting is the default.</li> </ul> |

**Table D-4** I/O fencing configuration files (*continued*)

| File          | Description                                                                                                                                                                                                                                                                                                                                                                                                                                                                                                                                                                                                                                                                                                                                                                                                                                                                                                                                                                                                                                                                                                                                                                                                                                                                                                                                                                                                                                                                                                                                                                                                                                                                                                                                                                                                                                                                                                                                        |
|---------------|----------------------------------------------------------------------------------------------------------------------------------------------------------------------------------------------------------------------------------------------------------------------------------------------------------------------------------------------------------------------------------------------------------------------------------------------------------------------------------------------------------------------------------------------------------------------------------------------------------------------------------------------------------------------------------------------------------------------------------------------------------------------------------------------------------------------------------------------------------------------------------------------------------------------------------------------------------------------------------------------------------------------------------------------------------------------------------------------------------------------------------------------------------------------------------------------------------------------------------------------------------------------------------------------------------------------------------------------------------------------------------------------------------------------------------------------------------------------------------------------------------------------------------------------------------------------------------------------------------------------------------------------------------------------------------------------------------------------------------------------------------------------------------------------------------------------------------------------------------------------------------------------------------------------------------------------------|
| /etc/vxfentab | <p>When I/O fencing starts, the <code>vxfen</code> startup script creates this <code>/etc/vxfentab</code> file on each node. The startup script uses the contents of the <code>/etc/vxfendg</code> and <code>/etc/vxfenmode</code> files. Any time a system is rebooted, the fencing driver reinitializes the <code>vxfentab</code> file with the current list of all the coordinator points.</p> <p><b>Note:</b> The <code>/etc/vxfentab</code> file is a generated file; do not modify this file.</p> <p>For disk-based I/O fencing, the <code>/etc/vxfentab</code> file on each node contains a list of all paths to each coordinator disk along with its unique disk identifier. A space separates the path and the unique disk identifier. An example of the <code>/etc/vxfentab</code> file in a disk-based fencing configuration on one node resembles as follows:</p> <ul style="list-style-type: none"> <li>■ Raw disk:           <pre style="margin-left: 20px;">/dev/rdisk/clt1d0s2 HITACHI%5F1724-100%20%20FASTT%5FDISKS%5F6 00A0B8000215A5D000006804E795D075 /dev/rdisk/c2t1d0s2 HITACHI%5F1724-100%20%20FASTT%5FDISKS%5F6 00A0B8000215A5D000006814E795D076 /dev/rdisk/c3t1d2s2 HITACHI%5F1724-100%20%20FASTT%5FDISKS%5F6 00A0B8000215A5D000006824E795D077</pre> </li> <li>■ DMP disk:           <pre style="margin-left: 20px;">/dev/vx/rdmp/clt1d0s2 HITACHI%5F1724-100%20%20FASTT%5FDISKS%5F6 00A0B8000215A5D000006804E795D075 /dev/vx/rdmp/c2t1d0s2 HITACHI%5F1724-100%20%20FASTT%5FDISKS%5F6 00A0B8000215A5D000006814E795D076 /dev/vx/rdmp/c3t1d0s2 HITACHI%5F1724-100%20%20FASTT%5FDISKS%5F6 00A0B8000215A5D000006824E795D077</pre> </li> </ul> <p>For server-based fencing, the <code>/etc/vxfentab</code> file also includes the security settings information.</p> <p>For server-based fencing with single CP server, the <code>/etc/vxfentab</code> file also includes the <code>single_cp</code> settings information.</p> |

## Sample configuration files for CP server

The `/etc/vxcps.conf` file determines the configuration of the coordination point server (CP server.)

See “[Sample CP server configuration \(/etc/vxcps.conf\) file output](#)” on page 448.

The following are example main.cf files for a CP server that is hosted on a single node, and a CP server that is hosted on an SFHA cluster.

- The main.cf file for a CP server that is hosted on a single node:  
 See [“Sample main.cf file for CP server hosted on a single node that runs VCS”](#) on page 443.
- The main.cf file for a CP server that is hosted on an SFHA cluster:  
 See [“Sample main.cf file for CP server hosted on a two-node SFHA cluster”](#) on page 445.

---

**Note:** The CP server supports Internet Protocol version 4 or version 6 (IPv4 or IPv6 addresses) when communicating with SFHA clusters (application clusters). The example main.cf files use IPv4 addresses.

---

## Sample main.cf file for CP server hosted on a single node that runs VCS

The following is an example of a single CP server node main.cf.

For this CP server single node main.cf, note the following values:

- Cluster name: cps1
- Node name: cps1

```
include "types.cf"
include "/opt/VRTScps/bin/Quorum/QuorumTypes.cf"

// cluster name: cps1
// CP server: cps1

cluster cps1 (
    UserNames = { admin = bMNFmHmJNiNNlVnHMK, haris = fopKojNvpHouNn,
                  "cps1.symantecexample.com@root@vx" = aj,
                  "root@cps1.symantecexample.com" = hq }
    Administrators = { admin, haris,
                       "cps1.symantecexample.com@root@vx",
                       "root@cps1.symantecexample.com" }
    SecureClus = 1
    HacliUserLevel = COMMANDROOT
)

system cps1 (
)
```

```

group CPSSG (
    SystemList = { cps1 = 0 }
    AutoStartList = { cps1 }
)

IP cpsvip1 (
    Critical = 0
    Device @cps1 = bge0
    Address = "10.209.3.1"
    NetMask = "255.255.252.0"
)

IP cpsvip2 (
    Critical = 0
    Device @cps1 = bge1
    Address = "10.209.3.2"
    NetMask = "255.255.252.0"
)

NIC cpsnic1 (
    Critical = 0
    Device @cps1 = bge0
    PingOptimize = 0
    NetworkHosts @cps1 = { "10.209.3.10" }
)

NIC cpsnic2 (
    Critical = 0
    Device @cps1 = bge1
    PingOptimize = 0
)

Process vxcpserv (
    PathName = "/opt/VRTScps/bin/vxcpserv"
    ConfInterval = 30
    RestartLimit = 3
)

Quorum quorum (
    QuorumResources = { cpsvip1, cpsvip2 }
)

```

```
cpsvip1 requires cpsnic1
cpsvip2 requires cpsnic2
vxcperv requires quorum

// resource dependency tree
//
// group CPSSG
// {
//   IP cpsvip1
//   {
//     NIC cpsnic1
//   }
//   IP cpsvip2
//   {
//     NIC cpsnic2
//   }
//   Process vxcperv
//   {
//     Quorum quorum
//   }
// }
```

## Sample main.cf file for CP server hosted on a two-node SFHA cluster

The following is an example of a main.cf, where the CP server is hosted on an SFHA cluster.

For this CP server hosted on an SFHA cluster main.cf, note the following values:

- Cluster name: cps1
- Nodes in the cluster: cps1, cps2

```
include "types.cf"
include "CFSTypes.cf"
include "CVMTTypes.cf"
include "/opt/VRTScps/bin/Quorum/QuorumTypes.cf"
```

```
// cluster: cps1
// CP servers:
// cps1
// cps2
```

```

cluster cps1 (
    UserNames = { admin = ajkCjeJgkFkkIskEjh,
                  "cps1.symantecexample.com@root@vx" = JK,
                  "cps2.symantecexample.com@root@vx" = dl }
    Administrators = { admin, "cps1.symantecexample.com@root@vx",
                       "cps2.symantecexample.com@root@vx" }
    SecureClus = 1
)

system cps1 (
)

system cps2 (
)

group CPSSG (
    SystemList = { cps1 = 0, cps2 = 1 }
    AutoStartList = { cps1, cps2 } )

    DiskGroup cpsdg (
        DiskGroup = cps_dg
    )

    IP cpsvip1 (
        Critical = 0
        Device @cps1 = bge0
        Device @cps2 = bge0
        Address = "10.209.81.88"
        NetMask = "255.255.252.0"
    )

    IP cpsvip2 (
        Critical = 0
        Device @cps1 = bge1
        Device @cps2 = bge1
        Address = "10.209.81.89"
        NetMask = "255.255.252.0"
    )

    Mount cpsmount (
        MountPoint = "/etc/VRTScps/db"
        BlockDevice = "/dev/vx/dsk/cps_dg/cps_volume"
        FSType = vxfs
    )

```

```

        FsckOpt = "-y"
    )

NIC cpsnic1 (
    Critical = 0
    Device @cps1 = bge0
    Device @cps2 = bge0
    PingOptimize = 0
    NetworkHosts @cps1 = { "10.209.81.10" }
)

NIC cpsnic2 (
    Critical = 0
    Device @cps1 = bge1
    Device @cps2 = bge1
    PingOptimize = 0
)

Process vxcpserv (
    PathName = "/opt/VRTScps/bin/vxcpserv"
)

Quorum quorum (
    QuorumResources = { cpsvip1, cpsvip2 }
)

Volume cpsvol (
    Volume = cps_volume
    DiskGroup = cps_dg
)

cpismount requires cpsvol
cpsvip1 requires cpsnic1
cpsvip2 requires cpsnic2
cpsvol requires cpsdg
vxcpserv requires cpismount
vxcpserv requires quorum

// resource dependency tree
//
// group CPSSG
// {

```

```
// IP cpsvip1
//   {
//     NIC cpsnic1
//   }
// IP cpsvip2
//   {
//     NIC cpsnic2
//   }
// Process vxcpserv
//   {
//     Quorum quorum
//     Mount cpsmount
//       {
//         Volume cpsvol
//           {
//             DiskGroup cpsdg
//           }
//       }
//   }
// }
```

## Sample CP server configuration (/etc/vxcps.conf) file output

The following is an example of a coordination point server (CP server) configuration file `/etc/vxcps.conf` output.

```
## The vxcps.conf file determines the
## configuration for Veritas CP Server.
cps_name=cps1
vip=[10.209.81.88]
vip=[10.209.81.89]:56789
port=14250
security=1
db=/etc/VRTScps/db
```



# Configuring the secure shell or the remote shell for communications

This appendix includes the following topics:

- [About configuring secure shell or remote shell communication modes before installing products](#)
- [Manually configuring and passwordless ssh](#)
- [Restarting the ssh session](#)
- [Enabling and disabling rsh for Solaris](#)

## About configuring secure shell or remote shell communication modes before installing products

Establishing communication between nodes is required to install Veritas software from a remote system, or to install and configure a cluster. The node from which the installer is run must have permissions to run `rsh` (remote shell) or `ssh` (secure shell) utilities. You need to run the installer with superuser privileges on the systems where you plan to install Veritas software.

You can install products to remote systems using either secure shell (`ssh`) or remote shell (`rsh`). Symantec recommends that you use `ssh` as it is more secure than `rsh`.

This section contains an example of how to set up `ssh` password free communication. The example sets up `ssh` between a source system (`system1`) that contains the installation directories, and a target system (`system2`). This procedure also applies to multiple target systems.

---

**Note:** The script- and Web-based installers support establishing passwordless communication for you.

---

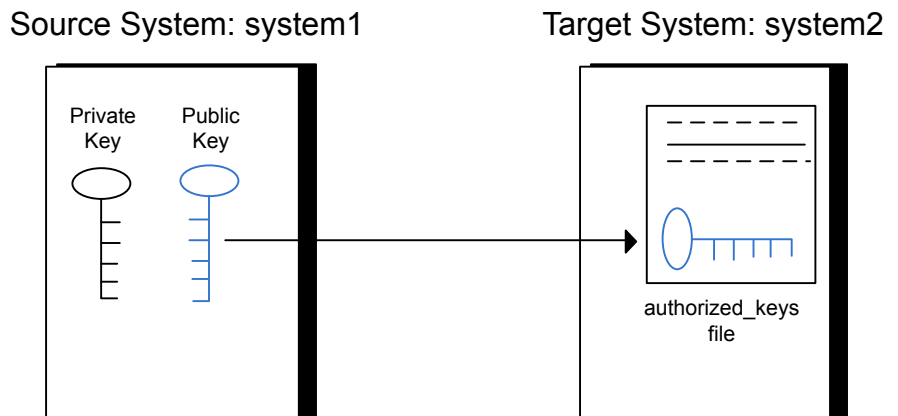
## Manually configuring and passwordless ssh

The ssh program enables you to log into and execute commands on a remote system. ssh enables encrypted communications and an authentication process between two untrusted hosts over an insecure network.

In this procedure, you first create a DSA key pair. From the key pair, you append the public key from the source system to the `authorized_keys` file on the target systems.

Figure E-1 illustrates this procedure.

**Figure E-1** Creating the DSA key pair and appending it to target systems



Read the ssh documentation and online manual pages before enabling ssh. Contact your operating system support provider for issues regarding ssh configuration.

Visit the OpenSSH website that is located at: <http://openssh.org> to access online manuals and other resources.

### To create the DSA key pair

- 1 On the source system (system1), log in as root, and navigate to the root directory.

```
system1 # cd /
```

- 2 Make sure the `/.ssh` directory is on all the target installation systems (system2 in this example). If that directory is not present, create it on all the target systems and set the write permission to root only:

Solaris 10:

```
system2 # mkdir /.ssh
```

Solaris 11:

```
system2 # mkdir /root/.ssh
```

Change the permissions of this directory, to secure it.

Solaris 10:

```
system2 # chmod go-w /.ssh
```

Solaris 11:

```
system2 # chmod go-w /root/.ssh
```

- 3 To generate a DSA key pair on the source system, type the following command:

```
system1 # ssh-keygen -t dsa
```

System output similar to the following is displayed:

```
Generating public/private dsa key pair.
```

```
Enter file in which to save the key (//.ssh/id_dsa):
```

For Solaris 11:

```
Your identification has been saved in /root/.ssh/id_dsa.
```

```
Your public key has been saved in /root/.ssh/id_dsa.pub.
```

- 4 Press Enter to accept the default location of `/.ssh/id_dsa`.
- 5 When the program asks you to enter the passphrase, press the Enter key twice.

```
Enter passphrase (empty for no passphrase):
```

Do not enter a passphrase. Press Enter.

```
Enter same passphrase again:
```

Press Enter again.

**To append the public key from the source system to the `authorized_keys` file on the target system, using secure file transfer**

- 1 Make sure the secure file transfer program (SFTP) is enabled on all the target installation systems (system2 in this example).

To enable SFTP, the `/etc/ssh/sshd_config` file must contain the following two lines:

```
PermitRootLogin          yes
Subsystem                 sftp          /usr/lib/ssh/sftp-server
```

- 2 If the lines are not there, add them and restart ssh.

To restart ssh on Solaris 10 and Solaris 11, type the following command:

```
system1 # svcadm restart ssh
```

- 3 From the source system (system1), move the public key to a temporary file on the target system (system2).

Use the secure file transfer program.

In this example, the file name `id_dsa.pub` in the root directory is the name for the temporary file for the public key.

Use the following command for secure file transfer:

```
system1 # sftp system2
```

If the secure file transfer is set up for the first time on this system, output similar to the following lines is displayed:

```
Connecting to system2 ...
The authenticity of host 'system2 (10.182.00.00)'
can't be established. DSA key fingerprint is
fb:6f:9f:61:91:9d:44:6b:87:86:ef:68:a6:fd:88:7d.
Are you sure you want to continue connecting (yes/no)?
```

- 4 Enter `yes`.

Output similar to the following is displayed:

```
Warning: Permanently added 'system2,10.182.00.00'  
(DSA) to the list of known hosts.  
root@system2 password:
```

- 5 Enter the root password of `system2`.
- 6 At the `sftp` prompt, type the following command:

```
sftp> put /.ssh/id_dsa.pub
```

The following output is displayed:

```
Uploading /.ssh/id_dsa.pub to /id_dsa.pub
```

- 7 To quit the SFTP session, type the following command:

```
sftp> quit
```

- 8 To begin the `ssh` session on the target system (`system2` in this example), type the following command on `system1`:

```
system1 # ssh system2
```

Enter the root password of `system2` at the prompt:

```
password:
```

- 9 After you log in to `system2`, enter the following command to append the `id_dsa.pub` file to the `authorized_keys` file:

```
system2 # cat /id_dsa.pub >> /.ssh/authorized_keys
```

- 10 After the `id_dsa.pub` public key file is copied to the target system (`system2`), and added to the `authorized_keys` file, delete it. To delete the `id_dsa.pub` public key file, enter the following command on `system2`:

```
system2 # rm /id_dsa.pub
```

- 11 To log out of the `ssh` session, enter the following command:

```
system2 # exit
```

- 12 When you install from a source system that is also an installation target, also add the local system `id_dsa.pub` key to the local `authorized_keys` file. The installation can fail if the installation source system is not authenticated.

To add the local system `id_dsa.pub` key to the local `authorized_keys` file, enter the following command:

```
system1 # cat /.ssh/id_dsa.pub >> /.ssh/authorized_keys
```

- 13 Run the following commands on the source installation system. If your ssh session has expired or terminated, you can also run these commands to renew the session. These commands bring the private key into the shell environment and make the key globally available to the user `root`:

```
system1 # exec /usr/bin/ssh-agent $SHELL
system1 # ssh-add

Identity added: //./ssh/id_dsa
```

This shell-specific step is valid only while the shell is active. You must execute the procedure again if you close the shell during the session.

#### To verify that you can connect to a target system

- 1 On the source system (`system1`), enter the following command:

```
system1 # ssh -l root system2 uname -a
```

where `system2` is the name of the target system.

- 2 The command should execute from the source system (`system1`) to the target system (`system2`) without the system requesting a passphrase or password.
- 3 Repeat this procedure for each target system.

## Restarting the ssh session

After you complete this procedure, ssh can be restarted in any of the following scenarios:

- After a terminal session is closed
- After a new terminal session is opened
- After a system is restarted
- After too much time has elapsed, to refresh ssh

**To restart ssh**

- 1 On the source installation system (system1), bring the private key into the shell environment.

```
system1 # exec /usr/bin/ssh-agent $SHELL
```

- 2 Make the key globally available for the user `root`

```
system1 # ssh-add
```

## Enabling and disabling rsh for Solaris

The following section describes how to enable remote shell on Solaris system.

Veritas recommends configuring a secure shell environment for Veritas product installations.

See [“Manually configuring and passwordless ssh”](#) on page 450.

See the operating system documentation for more information on configuring remote shell.

**To enable rsh**

- 1 To determine the current status of `rsh` and `rlogin`, type the following command:

```
# inetadm | grep -i login
```

If the service is enabled, the following line is displayed:

```
enabled online svc:/network/login:rlogin
```

If the service is not enabled, the following line is displayed:

```
disabled disabled svc:/network/login:rlogin
```

- 2 To enable a disabled `rsh/rlogin` service, type the following command:

```
# inetadm -e rlogin
```

- 3 To disable an enabled `rsh/rlogin` service, type the following command:

```
# inetadm -d rlogin
```

- 4 Modify the `.rhosts` file. A separate `.rhosts` file is in the `$HOME` directory of each user. This file must be modified for each user who remotely accesses the system using rsh. Each line of the `.rhosts` file contains a fully qualified domain name or IP address for each remote system having access to the local system. For example, if the root user must remotely access `system1` from `system2`, you must add an entry for `system2.companyname.com` in the `.rhosts` file on `system1`.

```
# echo "system2.companyname.com" >> $HOME/.rhosts
```

- 5 After you complete an installation procedure, delete the `.rhosts` file from each user's `$HOME` directory to ensure security:

```
# rm -f $HOME/.rhosts
```



# Storage Foundation and High Availability components

This appendix includes the following topics:

- [Storage Foundation and High Availability installation packages](#)
- [Veritas Cluster Server installation packages](#)
- [Chinese language packages](#)
- [Japanese language packages](#)
- [Veritas Storage Foundation obsolete and reorganized installation packages](#)

## Storage Foundation and High Availability installation packages

[Table F-1](#) shows the package name and contents for each English language package for Storage Foundation and High Availability. The table also gives you guidelines for which packages to install based whether you want the minimum, recommended, or advanced configuration.

When you install all Storage Foundation and High Availability and Veritas Cluster Server (VCS) packages, the combined functionality is called Storage Foundation and High Availability and High Availability.

See [“Veritas Cluster Server installation packages”](#) on page 460.

**Table F-1** Storage Foundation and High Availability packages

| packages   | Contents                                                                                                                                                                                                                                            | Configuration |
|------------|-----------------------------------------------------------------------------------------------------------------------------------------------------------------------------------------------------------------------------------------------------|---------------|
| VRTSaslapm | Veritas Array Support Library (ASL) and Array Policy Module (APM) binaries<br>Required for the support and compatibility of various storage arrays.                                                                                                 | Minimum       |
| VRTSperl   | Perl 5.14.2 for Veritas                                                                                                                                                                                                                             | Minimum       |
| VRTSvlic   | Veritas License Utilities<br>Installs the license key layout files required to decode the Storage Foundation license keys. Provides the standard license key utilities vxlicrep, vxlicinst, and vxlictest.                                          | Minimum       |
| VRTSvxfs   | Veritas File System binaries<br>Required for VxFS file system support.                                                                                                                                                                              | Minimum       |
| VRTSvxvm   | Veritas Volume Manager binaries, scripts, and utilities. Required for VxVM volume manager support.                                                                                                                                                  | Minimum       |
| VRTSdbed   | Veritas Storage Foundation for Databases                                                                                                                                                                                                            | Recommended   |
| VRTSob     | Veritas Enterprise Administrator                                                                                                                                                                                                                    | Recommended   |
| VRTSodm    | Veritas ODM Driver for VxFS<br>Veritas Extension for Oracle Disk Manager is a custom storage interface designed specifically for Oracle9i and 10g. Oracle Disk Manager allows Oracle 9i and 10g to improve performance and manage system bandwidth. | Recommended   |

**Table F-1** Storage Foundation and High Availability packages (*continued*)

| packages     | Contents                                                                                                                                                                                                                                                                                                                                                                                                                                                                                                                                                                                                                         | Configuration |
|--------------|----------------------------------------------------------------------------------------------------------------------------------------------------------------------------------------------------------------------------------------------------------------------------------------------------------------------------------------------------------------------------------------------------------------------------------------------------------------------------------------------------------------------------------------------------------------------------------------------------------------------------------|---------------|
| VRTSsfcp1601 | <p>Veritas Storage Foundation Common Product Installer</p> <p>The Storage Foundation Common Product installer package contains the installer libraries and product scripts that perform the following:</p> <ul style="list-style-type: none"> <li>■ installation</li> <li>■ configuration</li> <li>■ upgrade</li> <li>■ uninstallation</li> <li>■ adding nodes</li> <li>■ removing nodes</li> <li>■ etc.</li> </ul> <p>You can use these script to simplify the native operating system installations, configurations, and upgrades.</p>                                                                                         | Minimum       |
| VRTSsfmh     | <p>Veritas Storage Foundation Managed Host</p> <p>Veritas Storage Foundation Managed Host is now called Veritas Operations Manager (VOM).</p> <p>Discovers configuration information on a Storage Foundation managed host. If you want a central server to manage and monitor this managed host, download and install the VRTSsfmcs package on a server, and add this managed host to the Central Server. The VRTSsfmcs package is not part of this release. You can download it separately from:</p> <p><a href="http://www.symantec.com/veritas-operations-manager">http://www.symantec.com/veritas-operations-manager</a></p> | Recommended   |
| VRTSspt      | Veritas Software Support Tools                                                                                                                                                                                                                                                                                                                                                                                                                                                                                                                                                                                                   | Recommended   |
| VRTSfsadv    | Minimum Veritas File System Advanced Solutions by Symantec (Solaris SPARC only).                                                                                                                                                                                                                                                                                                                                                                                                                                                                                                                                                 | Minimum       |

**Table F-1** Storage Foundation and High Availability packages (*continued*)

| packages  | Contents                                                                                                                                                                                                           | Configuration |
|-----------|--------------------------------------------------------------------------------------------------------------------------------------------------------------------------------------------------------------------|---------------|
| VRTSfssdk | Veritas File System Software Developer Kit<br><br>For VxFS APIs, the package contains the public Software Developer Kit (headers, libraries, and sample code). It is required if some user programs use VxFS APIs. | All           |

## Veritas Cluster Server installation packages

[Table F-2](#) shows the package name and contents for each English language package for Veritas Cluster Server (VCS). The table also gives you guidelines for which packages to install based whether you want the minimum, recommended, or advanced configuration.

When you install all Storage Foundation and VCS packages, the combined functionality is called Storage Foundation and High Availability.

See [“Storage Foundation and High Availability installation packages”](#) on page 457.

**Table F-2** VCS installation packages

| package   | Contents                                                              | Configuration |
|-----------|-----------------------------------------------------------------------|---------------|
| VRTSgab   | Veritas Cluster Server group membership and atomic broadcast services | Minimum       |
| VRTSilt   | Veritas Cluster Server low-latency transport                          | Minimum       |
| VRTSamf   | Veritas Cluster Server Asynchronous Monitoring Framework              | Minimum       |
| VRTSvc    | Veritas Cluster Server                                                | Minimum       |
| VRTSvcsg  | Veritas Cluster Server Bundled Agents                                 | Minimum       |
| VRTSvcfen | Veritas I/O Fencing                                                   | Minimum       |
| VRTSvcsea | Consolidated database and enterprise agent packages                   | Recommended   |

**Table F-2** VCS installation packages (*continued*)

| package | Contents                                                                                                                                                                                                                                | Configuration |
|---------|-----------------------------------------------------------------------------------------------------------------------------------------------------------------------------------------------------------------------------------------|---------------|
| VRTScps | Veritas Coordination Point Server<br><br>The Coordination Point Server is an alternate mechanism for I/O fencing. It implements I/O fencing through a client/server architecture and can provide I/O fencing for multiple VCS clusters. | All           |

## Chinese language packages

The following table shows the package name and contents for each Chinese language package.

**Table F-3** Chinese language packages

| package  | Contents                                                                       |
|----------|--------------------------------------------------------------------------------|
| VRTSzhvm | Chinese Veritas Volume Manager by Symantec – Message Catalogs and Manual Pages |

## Japanese language packages

The following table show the package name and contents for each Japanese language package.

**Table F-4** Japanese language packages

| package   | Contents                                                                                                                          |
|-----------|-----------------------------------------------------------------------------------------------------------------------------------|
| VRTSjacav | Japanese Veritas Cluster Server Agents for Storage Foundation Cluster File System – Manual Pages and Message Catalogs by Symantec |
| VRTSjacs  | Veritas Cluster Server Japanese Message Catalogs by Symantec                                                                      |
| VRTSjacse | Japanese Veritas High Availability Enterprise Agents by Symantec                                                                  |
| VRTSjadba | Japanese Veritas Oracle Real Application Cluster Support package by Symantec                                                      |
| VRTSjadbe | Japanese Veritas Storage Foundation for Oracle from Symantec – Message Catalogs                                                   |

**Table F-4** Japanese language packages (*continued*)

| package   | Contents                                                                          |
|-----------|-----------------------------------------------------------------------------------|
| VRTSjafs  | Japanese Veritas File System – Message Catalog and Manual Pages                   |
| VRTSjaodm | Veritas Oracle Disk Manager Japanese Message Catalog and Manual Pages by Symantec |
| VRTSjavm  | Japanese Veritas Volume Manager by Symantec – Message Catalogs and Manual Pages   |
| VRTSmulic | Multi-language Symantec License Utilities                                         |

## Veritas Storage Foundation obsolete and reorganized installation packages

[Table F-5](#) lists the packages that are obsolete or reorganized for Storage Foundation and High Availability.

**Table F-5** Veritas Storage Foundation obsolete and reorganized packages

| package                            | Description          |
|------------------------------------|----------------------|
| Obsolete and reorganized for 6.0.1 |                      |
| VRTSat                             | Obsolete             |
| VRTSatZH                           | Obsolete             |
| VRTSatJA                           | Obsolete             |
| Obsolete and reorganized for 5.1   |                      |
| Infrastructure                     |                      |
| SYMCima                            | Obsolete             |
| VRTSaa                             | Included in VRTSsfmh |
| VRTSccg                            | Included in VRTSsfmh |
| VRTSdbms3                          | Obsolete             |
| VRTSicsco                          | Obsolete             |
| VRTSjre                            | Obsolete             |
| VRTSjre15                          | Obsolete             |

**Table F-5** Veritas Storage Foundation obsolete and reorganized packages  
*(continued)*

| package          | Description                                                                                                                                                                                                                                                                                                                                                                                                     |
|------------------|-----------------------------------------------------------------------------------------------------------------------------------------------------------------------------------------------------------------------------------------------------------------------------------------------------------------------------------------------------------------------------------------------------------------|
| VRTSmh           | Included in VRTSsfmh                                                                                                                                                                                                                                                                                                                                                                                            |
| VRTSobc33        | Obsolete                                                                                                                                                                                                                                                                                                                                                                                                        |
| VRTSobweb        | Obsolete                                                                                                                                                                                                                                                                                                                                                                                                        |
| VRTSobgui        | Obsolete                                                                                                                                                                                                                                                                                                                                                                                                        |
| VRTSspb          | Obsolete                                                                                                                                                                                                                                                                                                                                                                                                        |
| VRTSsfm          | Obsolete                                                                                                                                                                                                                                                                                                                                                                                                        |
| VRTSweb          | Obsolete                                                                                                                                                                                                                                                                                                                                                                                                        |
| Product packages |                                                                                                                                                                                                                                                                                                                                                                                                                 |
| VRTSacclib       | <p>Obsolete</p> <p>The following information is for installations, upgrades, and uninstalls using the script- or Web-based installer.</p> <ul style="list-style-type: none"> <li>■ For fresh installations VRTSacclib is not installed.</li> <li>■ For upgrades, the existing VRTSacclib is uninstalled and a new VRTSacclib is installed.</li> <li>■ For uninstalls, VRTSacclib is not uninstalled.</li> </ul> |
| VRTSalloc        | Obsolete                                                                                                                                                                                                                                                                                                                                                                                                        |
| VRTScmccc        | Obsolete                                                                                                                                                                                                                                                                                                                                                                                                        |
| VRTScmcm         | Obsolete                                                                                                                                                                                                                                                                                                                                                                                                        |
| VRTScmcs         | Obsolete                                                                                                                                                                                                                                                                                                                                                                                                        |
| VRTScscm         | Obsolete                                                                                                                                                                                                                                                                                                                                                                                                        |
| VRTScscw         | Obsolete                                                                                                                                                                                                                                                                                                                                                                                                        |
| VRTScsocw        | Obsolete                                                                                                                                                                                                                                                                                                                                                                                                        |
| VRTScssim        | Obsolete                                                                                                                                                                                                                                                                                                                                                                                                        |
| VRTScutil        | Obsolete                                                                                                                                                                                                                                                                                                                                                                                                        |

**Table F-5** Veritas Storage Foundation obsolete and reorganized packages  
*(continued)*

| package   | Description                             |
|-----------|-----------------------------------------|
| VRTSd2gui | Included in VRTSdbed                    |
| VRTSdb2ed | Included in VRTSdbed                    |
| VRTSdbcom | Included in VRTSdbed                    |
| VRTSdbed  | Included in VRTSdbed                    |
| VRTSdcli  | Obsolete                                |
| VRTSddlpr | Obsolete                                |
| VRTSdsa   | Obsolete                                |
| VRTSfas   | Obsolete                                |
| VRTSfasag | Obsolete                                |
| VRTSfsman | Included in the product's main package. |
| VRTSfsmnd | Included in the product's main package. |
| VRTSfspro | Included in VRTSsfmh                    |
| VRTSgapms | Obsolete                                |
| VRTSmapro | Included in VRTSsfmh                    |
| VRTSorgui | Obsolete                                |
| VRTSsybed | Included in VRTSdbed                    |
| VRTSvail  | Obsolete                                |
| VRTSvcldb | Included in VRTSvcsea                   |
| VRTSvcsmn | Included in VRTSvc                      |
| VRTSvcsor | Included in VRTSvcsea                   |
| VRTSvcssy | Included in VRTSvcsea                   |
| VRTSvcsvr | Included in VRTSvc                      |
| VRTSvdid  | Obsolete                                |
| VRTSvmman | Included in the product's main package. |



**Table F-5** Veritas Storage Foundation obsolete and reorganized packages  
*(continued)*

| package       | Description                         |
|---------------|-------------------------------------|
| VRTSvmpro     | Included in VRTSsfmh                |
| VRTSvrpro     | Included in VRTSob                  |
| VRTSvrw       | Obsolete                            |
| VRTSvxmsa     | Obsolete                            |
| Documentation | All Documentation packages obsolete |

# Troubleshooting installation issues

This appendix includes the following topics:

- [Restarting the installer after a failed connection](#)
- [What to do if you see a licensing reminder](#)
- [Incorrect permissions for root on remote system](#)
- [Inaccessible system](#)
- [Troubleshooting the webinstaller](#)

## Restarting the installer after a failed connection

If an installation is killed because of a failed connection, you can restart the installer to resume the installation. The installer detects the existing installation. The installer prompts you whether you want to resume the installation. If you resume the installation, the installation proceeds from the point where the installation failed.

## What to do if you see a licensing reminder

In this release, you can install without a license key. In order to comply with the End User License Agreement, you must either install a license key or make the host managed by a Management Server. If you do not comply with these terms within 60 days, the following warning messages result:

```
WARNING V-365-1-1 This host is not entitled to run Veritas Storage
Foundation/Veritas Cluster Server.As set forth in the End User
License Agreement (EULA) you must complete one of the two options
```

set forth below. To comply with this condition of the EULA and stop logging of this message, you have <nn> days to either:

- make this host managed by a Management Server (see <http://go.symantec.com/sfhakeyless> for details and free download), or
- add a valid license key matching the functionality in use on this host using the command 'vxlicinst'

To comply with the terms of the EULA, and remove these messages, you must do one of the following within 60 days:

- Install a valid license key corresponding to the functionality in use on the host. After you install the license key, you must validate the license key using the following command:

```
# /opt/VRTS/bin/vxlicrep
```

- Continue with keyless licensing by managing the server or cluster with a management server.

For more information about keyless licensing, see the following URL:

<http://go.symantec.com/sfhakeyless>

## Incorrect permissions for root on remote system

The permissions are inappropriate. Make sure you have remote root access permission on each system to which you are installing.

```
Failed to setup rsh communication on 10.198.89.241:
'rsh 10.198.89.241 <command>' failed
Trying to setup ssh communication on 10.198.89.241.
Failed to setup ssh communication on 10.198.89.241:
Login denied
```

```
Failed to login to remote system(s) 10.198.89.241.
Please make sure the password(s) are correct and superuser(root)
can login to the remote system(s) with the password(s).
If you want to setup rsh on remote system(s), please make sure
rsh with command argument ('rsh <host> <command>') is not
denied by remote system(s).
```

Either ssh or rsh is needed to be setup between the local node and 10.198.89.241 for communication

```
Would you like the installer to setup ssh/rsh communication
automatically between the nodes?
Superuser passwords for the systems will be asked. [y,n,q] (y) n
```

```
System verification did not complete successfully
```

```
The following errors were discovered on the systems:
```

```
The ssh permission denied on 10.198.89.241
rsh exited 1 on 10.198.89.241
either ssh or rsh is needed to be setup between the local node
and 10.198.89.241 for communication
```

**Suggested solution:** You need to set up the systems to allow remote access using ssh or rsh.

See [“About configuring secure shell or remote shell communication modes before installing products”](#) on page 449.

---

**Note:** Remove remote shell permissions after completing the SFHA installation and configuration.

---

## Inaccessible system

The system you specified is not accessible. This could be for a variety of reasons such as, the system name was entered incorrectly or the system is not available over the network.

```
Verifying systems: 12% .....
Estimated time remaining: 0:10 1 of 8
Checking system communication ..... Done
System verification did not complete successfully
The following errors were discovered on the systems:
cannot resolve hostname host1
Enter the system names separated by spaces: q,? (host1)
```

**Suggested solution:** Verify that you entered the system name correctly; use the ping(1M) command to verify the accessibility of the host.

# Troubleshooting the webinstaller

This section provides possible solutions to problems that may occur when using the `webinstaller` script:

- **Issue:** The `webinstaller` script may report an error.

You may receive a similar error message when using the webinstaller:

```
Error: could not get hostname and IP address
```

**Solution:** Check whether `/etc/hosts` and `/etc/resolv.conf` file are correctly configured.

- **Issue:** The hostname is not a fully qualified domain name.

You must have a fully qualified domain name for the hostname in

`https://<hostname>:<port>/`.

**Solution:** Check whether the `domain` section is defined in `/etc/resolv.conf` file.

- **Issue:** FireFox 3 may report an error.

You may receive a similar error message when using FireFox 3:

```
Certificate contains the same serial number as another certificate.
```

**Solution:** Visit FireFox knowledge base website:

<http://support.mozilla.com/en-US/kb/Certificate+contains+the+same+serial+number+as+another+certificate>

# Troubleshooting cluster installation

This appendix includes the following topics:

- [Unmount failures](#)
- [Command failures](#)
- [Installer cannot create UUID for the cluster](#)
- [The vxfsentsthdw utility fails when SCSI TEST UNIT READY command fails](#)
- [Troubleshooting CP server](#)
- [Troubleshooting server-based fencing on the SFHA cluster nodes](#)
- [Issues during online migration of coordination points](#)

## Unmount failures

The `umount` command can fail if a reference is being held by an NFS server. Unshare the mount point and try the unmount again.

## Command failures

This section describes command failures.

- Manual pages not accessible with the `man` command. Set the `MANPATH` environment variable appropriately.  
See [“Setting environment variables”](#) on page 57.

- The `mount`, `fsck`, and `mkfs` utilities reserve a shared volume. They fail on volumes that are in use. Be careful when accessing shared volumes with other utilities such as `dd`, it is possible for these commands to destroy data on the disk.
- Running some commands, such as `vxupgrade -n 7 /vol02`, can generate the following error message:

```
vxfs vxupgrade: ERROR: not primary in a cluster file system
```

This means that you can run this command only on the primary, that is, the system that mounted this file system first.

## Installer cannot create UUID for the cluster

The installer displays the following error message if the installer cannot find the `uuidconfig.pl` script before it configures the UUID for the cluster:

```
Couldn't find uuidconfig.pl for uuid configuration,  
please create uuid manually before start vcs
```

You may see the error message during SFHA configuration, upgrade, or when you add a node to the cluster using the installer.

Workaround: To start SFHA, you must run the `uuidconfig.pl` script manually to configure the UUID on each cluster node.

### To configure the cluster UUID when you create a cluster manually

- ◆ On one node in the cluster, perform the following command to populate the cluster UUID on each node in the cluster.

```
# /opt/VRTSvcs/bin/uuidconfig.pl -clus -configure nodeA  
nodeB ... nodeN
```

Where `nodeA`, `nodeB`, through `nodeN` are the names of the cluster nodes.

## The `vxfcntlsthdw` utility fails when SCSI TEST UNIT READY command fails

While running the `vxfcntlsthdw` utility, you may see a message that resembles as follows:

```
Issuing SCSI TEST UNIT READY to disk reserved by other node  
FAILED.
```

Contact the storage provider to have the hardware configuration fixed.

The disk array does not support returning success for a `SCSI TEST UNIT READY` command when another host has the disk reserved using SCSI-3 persistent reservations. This happens with the Hitachi Data Systems 99XX arrays if bit 186 of the system mode option is not enabled.

## Troubleshooting CP server

All CP server operations and messages are logged in the `/var/VRTScps/log` directory in a detailed and easy to read format. The entries are sorted by date and time. The logs can be used for troubleshooting purposes or to review for any possible security issue on the system that hosts the CP server.

The following files contain logs and text files that may be useful in understanding and troubleshooting a CP server:

- `/var/VRTScps/log/cpsrvr_[ABC].log`
- `/var/VRTSvcs/log/vcsauthserver.log` (Security related)
- If the `vxcperv` process fails on the CP server, then review the following diagnostic files:
  - `/var/VRTScps/diag/FFDC_CPS_pid_vxcperv.log`
  - `/var/VRTScps/diag/stack_pid_vxcperv.txt`

---

**Note:** If the `vxcperv` process fails on the CP server, these files are present in addition to a core file. VCS restarts `vxcperv` process automatically in such situations.

---

The file `/var/VRTSvcs/log/vxfen/vxfend_[ABC].log` contains logs that may be useful in understanding and troubleshooting fencing-related issues on a SF HA cluster (client cluster) node.

See [“Troubleshooting issues related to the CP server service group”](#) on page 473.

See [“Checking the connectivity of CP server”](#) on page 473.

See [“Issues during fencing startup on SF HA cluster nodes set up for server-based fencing”](#) on page 474.

See [“Issues during online migration of coordination points”](#) on page 474.



## Troubleshooting issues related to the CP server service group

If you cannot bring up the CPSSG service group after the CP server configuration, perform the following steps:

- Verify that the CPSSG service group and its resources are valid and properly configured in the VCS configuration.
- Check the VCS engine log (`/var/VRTSvcs/log/engine_[ABC].log`) to see if any of the CPSSG service group resources are **FAULTED**.
- Review the sample dependency graphs to make sure the required resources are configured correctly.

## Checking the connectivity of CP server

You can test the connectivity of CP server using the `cpsadm` command.

You must have set the environment variables `CPS_USERNAME` and `CPS_DOMAINTYPE` to run the `cpsadm` command on the SF HA cluster (client cluster) nodes.

**To check the connectivity of CP server**

- ◆ Run the following command to check whether a CP server is up and running at a process level:

```
# cpsadm -s cp_server -a ping_cps
```

where `cp_server` is the virtual IP address or virtual hostname on which the CP server is listening.

## Troubleshooting server-based fencing on the SFHA cluster nodes

The file `/var/VRTSvcs/log/vxfen/vxfend_[ABC].log` contains logs files that may be useful in understanding and troubleshooting fencing-related issues on a SFHA cluster (application cluster) node.

## Issues during fencing startup on SF HA cluster nodes set up for server-based fencing

**Table H-1** Fencing startup issues on SF HA cluster (client cluster) nodes

| Issue                                                                          | Description and resolution                                                                                                                                                                                                                                                                                                                                                                                                                                                                                                                                                               |
|--------------------------------------------------------------------------------|------------------------------------------------------------------------------------------------------------------------------------------------------------------------------------------------------------------------------------------------------------------------------------------------------------------------------------------------------------------------------------------------------------------------------------------------------------------------------------------------------------------------------------------------------------------------------------------|
| <p><code>cpsadm</code> command on the SF HA cluster gives connection error</p> | <p>If you receive a connection error message after issuing the <code>cpsadm</code> command on the SF HA cluster, perform the following actions:</p> <ul style="list-style-type: none"> <li>■ Ensure that the CP server is reachable from all the SF HA cluster nodes.</li> <li>■ Check that the SF HA cluster nodes use the correct CP server virtual IP or virtual hostname and the correct port number. Check the <code>/etc/vxfenmode</code> file.</li> <li>■ Ensure that the running CP server is using the same virtual IP/virtual hostname and port number.</li> </ul>             |
| <p>Authorization failure</p>                                                   | <p>Authorization failure occurs when the CP server's nodes or users are not added in the CP server configuration. Therefore, fencing on the SF HA cluster (client cluster) node is not allowed to access the CP server and register itself on the CP server. Fencing fails to come up if it fails to register with a majority of the coordination points.</p> <p>To resolve this issue, add the CP server node and user in the CP server configuration and restart fencing.</p> <p>See <a href="#">"Preparing the CP servers manually for use by the SF HA cluster"</a> on page 211.</p> |
| <p>Authentication failure</p>                                                  | <p>If you had configured secure communication between the CP server and the SF HA cluster (client cluster) nodes, authentication failure can occur due to the following causes:</p> <ul style="list-style-type: none"> <li>■ Symantec Product Authentication Services (AT) is not properly configured on the CP server and/or the SF HA cluster.</li> <li>■ The CP server and the SF HA cluster nodes use different root brokers, and trust is not established between the authentication brokers:</li> </ul>                                                                            |

## Issues during online migration of coordination points

During online migration of coordination points using the `vxfenswap` utility, the operation is automatically rolled back if a failure is encountered during validation of coordination points from any of the cluster nodes.

Validation failure of the new set of coordination points can occur in the following circumstances:

- The `/etc/vxfenmode.test` file is not updated on all the SF HA cluster nodes, because new coordination points on the node were being picked up from an old `/etc/vxfenmode.test` file. The `/etc/vxfenmode.test` file must be updated with the

current details. If the `/etc/vxfenmode.test` file is not present, `vxfenswap` copies configuration for new coordination points from the `/etc/vxfenmode` file.

- The coordination points listed in the `/etc/vxfenmode` file on the different SF HA cluster nodes are not the same. If different coordination points are listed in the `/etc/vxfenmode` file on the cluster nodes, then the operation fails due to failure during the coordination point snapshot check.
- There is no network connectivity from one or more SF HA cluster nodes to the CP server(s).
- Cluster, nodes, or users for the SF HA cluster nodes have not been added on the new CP servers, thereby causing authorization failure.

## Vxfen service group activity after issuing the `vxfenswap` command

The Coordination Point agent reads the details of coordination points from the `vxfenconfig -l` output and starts monitoring the registrations on them.

Thus, during `vxfenswap`, when the `vxfenmode` file is being changed by the user, the Coordination Point agent does not move to FAULTED state but continues monitoring the old set of coordination points.

As long as the changes to `vxfenmode` file are not committed or the new set of coordination points are not reflected in `vxfenconfig -l` output, the Coordination Point agent continues monitoring the old set of coordination points it read from `vxfenconfig -l` output in every monitor cycle.

The status of the Coordination Point agent (either ONLINE or FAULTED) depends upon the accessibility of the coordination points, the registrations on these coordination points, and the fault tolerance value.

When the changes to `vxfenmode` file are committed and reflected in the `vxfenconfig -l` output, then the Coordination Point agent reads the new set of coordination points and proceeds to monitor them in its new monitor cycle.

## Sample SF HA cluster setup diagrams for CP server-based I/O fencing

This appendix includes the following topics:

- [Configuration diagrams for setting up server-based I/O fencing](#)

### Configuration diagrams for setting up server-based I/O fencing

The following CP server configuration diagrams can be used as guides when setting up CP server within your configuration:

- Two unique client clusters that are served by 3 CP servers:
- Client cluster that is served by highly available CP server and 2 SCSI-3 disks:
- Two node campus cluster that is served by remote CP server and 2 SCSI-3 disks:
- Multiple client clusters that are served by highly available CP server and 2 SCSI-3 disks:

#### Two unique client clusters served by 3 CP servers

In the `vxfenmode` file on the client nodes, `vxfenmode` is set to `customized` with `vxfen` mechanism set to `cps`.

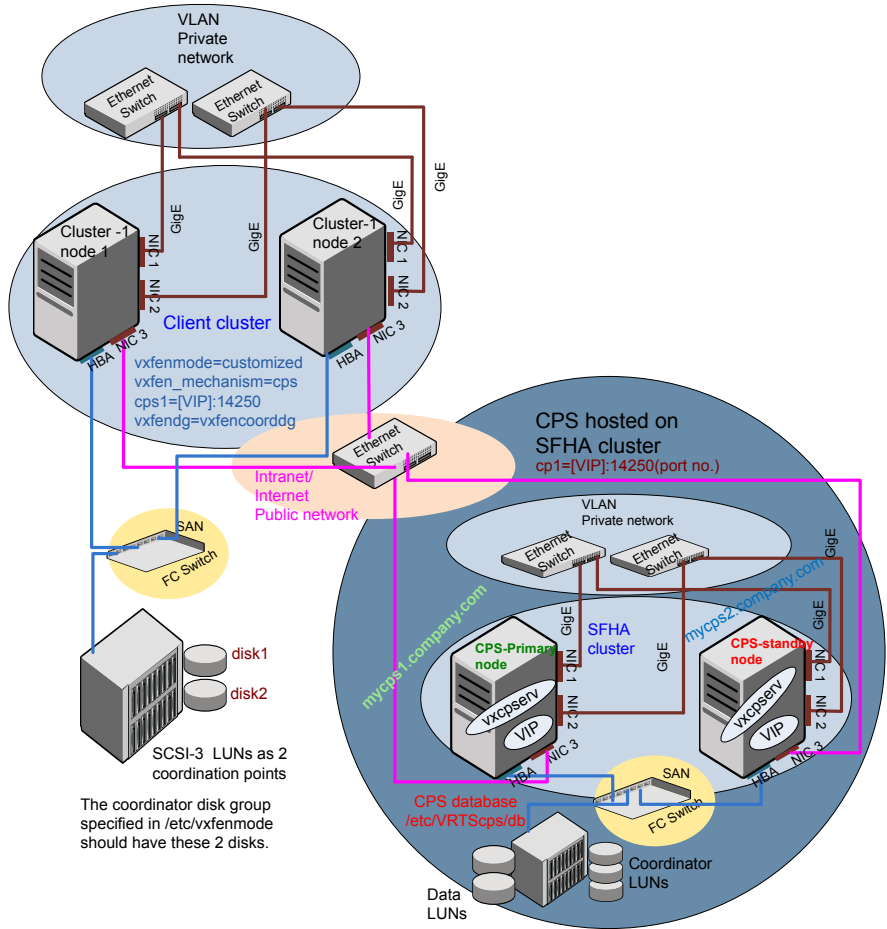
## Client cluster served by highly available CPS and 2 SCSI-3 disks

Figure I-1 displays a configuration where a client cluster is served by one highly available CP server and 2 local SCSI-3 LUNs (disks).

In the `vxfenmode` file on the client nodes, `vxfenmode` is set to customized with `vxfen` mechanism set to `cps`.

The two SCSI-3 disks are part of the disk group `vxfencoordg`. The third coordination point is a CP server hosted on an SFHA cluster, with its own shared database and coordinator disks.

**Figure I-1** Client cluster served by highly available CP server and 2 SCSI-3 disks



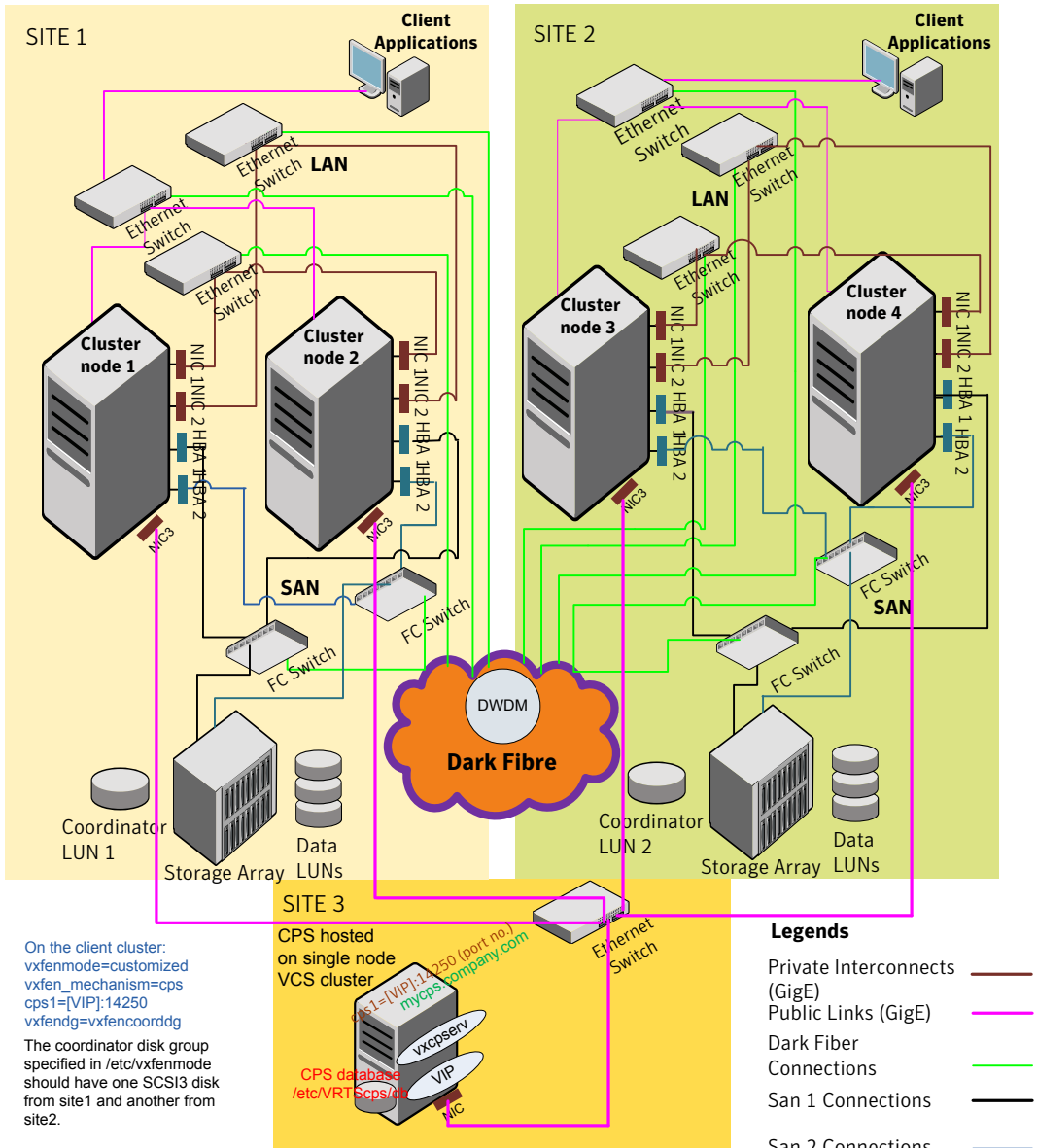
## Two node campus cluster served by remote CP server and 2 SCSI-3 disks

Figure I-2 displays a configuration where a two node campus cluster is being served by one remote CP server and 2 local SCSI-3 LUN (disks).

In the `vxfenmode` file on the client nodes, `vxfenmode` is set to `customized` with `vxfen` mechanism set to `cps`.

The two SCSI-3 disks (one from each site) are part of disk group vxfencoordg.  
 The third coordination point is a CP server on a single node VCS cluster.

**Figure I-2** Two node campus cluster served by remote CP server and 2 SCSI-3



## Multiple client clusters served by highly available CP server and 2 SCSI-3 disks

In the `vxfenmode` file on the client nodes, `vxfenmode` is set to `customized` with `vxfen` mechanism set to `cps`.

The two SCSI-3 disks are part of the disk group `vxfencoordg`. The third coordination point is a CP server, hosted on an SFHA cluster, with its own shared database and coordinator disks.



# Reconciling major/minor numbers for NFS shared disks

This appendix includes the following topics:

- [Reconciling major/minor numbers for NFS shared disks](#)

## Reconciling major/minor numbers for NFS shared disks

Your configuration may include disks on the shared bus that support NFS. You can configure the NFS file systems that you export on disk partitions or on Veritas Volume Manager volumes.

An example disk partition name is `/dev/dsk/c1t1d0s2`.

An example volume name is `/dev/vx/dsk/shreddg/vol13`. Each name represents the block device on which the file system is to be mounted.

In a VCS cluster, block devices providing NFS service must have the same major and minor numbers on each cluster node. Major numbers identify required device drivers (such as a Solaris partition or a VxVM volume). Minor numbers identify the specific devices themselves. NFS also uses major and minor numbers to identify the exported file system.

Major and minor numbers must be verified to ensure that the NFS identity for the file system is the same when exported from each node.

## Checking major and minor numbers for disk partitions

The following sections describe checking and changing, if necessary, the major and minor numbers for disk partitions used by cluster nodes.

### To check major and minor numbers on disk partitions

- ◆ Use the following command on all nodes exporting an NFS file system. This command displays the major and minor numbers for the block device.

```
# ls -lL block_device
```

The variable *block\_device* refers to a partition where a file system is mounted for export by NFS. Use this command on each NFS file system. For example, type:

```
# ls -lL /dev/dsk/c1t1d0s2
```

Output on Node A resembles:

```
crw-r----- 1 root sys 32,1 Dec 3 11:50 /dev/dsk/c1t1d0s2
```

Output on Node B resembles:

```
crw-r----- 1 root sys 32,1 Dec 3 11:55 /dev/dsk/c1t1d0s2
```

Note that the major numbers (32) and the minor numbers (1) match, satisfactorily meeting the requirement for NFS file systems.

### To reconcile the major numbers that do not match on disk partitions

- 1 Reconcile the major and minor numbers, if required. For example, if the output in the previous section resembles the following, perform the instructions beginning step 2:

Output on Node A:

```
crw-r----- 1 root sys 32,1 Dec 3 11:50 /dev/dsk/c1t1d0s2
```

Output on Node B:

```
crw-r----- 1 root sys 36,1 Dec 3 11:55 /dev/dsk/c1t1d0s2
```

- 2 Place the VCS command directory in your path.

```
# export PATH=$PATH:/usr/sbin:/sbin:/opt/VRTS/bin
```

- 3 Attempt to change the major number on System B (now 36) to match that of System A (32). Use the command:

```
# haremajord -sd major_number
```

For example, on Node B, enter:

```
# haremajord -sd 32
```

- 4 If the command succeeds, go to step 8.
- 5 If the command fails, you may see a message resembling:

```
Error: Preexisting major number 32
These are available numbers on this system: 128...
Check /etc/name_to_major on all systems for
available numbers.
```

- 6 Notice that the number 36 (the major number on Node A) is not available on Node B. Run the `haremajord` command on Node B and change it to 128,

```
# haremajord -sd 128
```

- 7 Run the same command on Node A. If the command fails on Node A, the output lists the available numbers. Rerun the command on both nodes, setting the major number to one available to both.
- 8 Reboot each system on which the command succeeds.
- 9 Proceed to reconcile the major numbers for your next partition.

#### To reconcile the minor numbers that do not match on disk partitions

- 1 In the example, the minor numbers are 1 and 3 and are reconciled by setting to 30 on each node.
- 2 Type the following command on both nodes using the name of the block device:

```
# ls -l /dev/dsk/c1t1d0s2
```

Output from this command resembles the following on Node A:

```
lrwxrwxrwx 1 root  root  83 Dec 3 11:50
/dev/dsk/c1t1d0s2      -> ../../
devices/sbus@1f,0/QLGC,isp@0,10000/sd@1,0:d,raw
```

The device name (in bold) includes the slash following the word `devices`, and continues to, but does not include, the colon.

- 3 Type the following command on both nodes to determine the instance numbers that the SCSI driver uses:

```
# grep sd /etc/path_to_inst | sort -n -k 2,2
```

Output from this command resembles the following on Node A:

```
"/sbus@1f,0/QLGC,isp@0,10000/sd@0,0" 0 "sd"  
"/sbus@1f,0/QLGC,isp@0,10000/sd@1,0" 1 "sd"  
"/sbus@1f,0/QLGC,isp@0,10000/sd@2,0" 2 "sd"  
"/sbus@1f,0/QLGC,isp@0,10000/sd@3,0" 3 "sd"  
.  
.  
"/sbus@1f,0/SUNW,fas@e,8800000/sd@d,0" 27 "sd"  
"/sbus@1f,0/SUNW,fas@e,8800000/sd@e,0" 28 "sd"  
"/sbus@1f,0/SUNW,fas@e,8800000/sd@f,0" 29 "sd"
```

In the output, the instance numbers are in the second field.

The instance number that is associated with the device name that matches the name for Node A displayed in step 2, is "1."

- 4 Compare instance numbers for the device in the output on each node.

After you review the instance numbers, perform one of the following tasks:

- If the instance number from one node is unused on the other— it does not appear in the output of step 3—edit `/etc/path_to_inst`. You edit this file to make the second node's instance number similar to the number of the first node.
- If the instance numbers in use on both nodes, edit `/etc/path_to_inst` on both nodes. Change the instance number that is associated with the device name to an unused number. The number needs to be greater than the highest number that other devices use. For example, the output of step 3 shows the instance numbers that all devices use (from 0 to 29). You edit the file `/etc/path_to_inst` on each node and reset the instance numbers to 30.

- 5 Type the following command to reboot each node on which `/etc/path_to_inst` was modified:

```
# reboot -- -rv
```

## Checking the major and minor number for VxVM volumes

The following sections describe checking and changing, if necessary, the major and minor numbers for the VxVM volumes that cluster systems use.

### To check major and minor numbers on VxVM volumes

- 1 Place the VCS command directory in your path. For example:

```
# export PATH=$PATH:/usr/sbin:/sbin:/opt/VRTS/bin
```

- 2 To list the devices, use the `ls -lL block_device` command on each node:

```
# ls -lL /dev/vx/dsk/shareddg/vol3
```

On Node A, the output may resemble:

```
brw----- 1 root root 32,43000 Mar 22 16:4 1  
/dev/vx/dsk/shareddg/vol3
```

On Node B, the output may resemble:

```
brw----- 1 root root 36,43000 Mar 22 16:4 1  
/dev/vx/dsk/shareddg/vol3
```

- 3 Import the associated shared disk group on each node.

- 4 Use the following command on each node exporting an NFS file system. The command displays the major numbers for `vxio` and `vxspec` that Veritas Volume Manager uses. Note that other major numbers are also displayed, but only `vxio` and `vxspec` are of concern for reconciliation:

```
# grep vx /etc/name_to_major
```

Output on Node A:

```
vxdump 30
vxio 32
vxspec 33
vxfen 87
vxglm 91
```

Output on Node B:

```
vxdump 30
vxio 36
vxspec 37
vxfen 87
vxglm 91
```

- 5 To change Node B's major numbers for `vxio` and `vxspec` to match those of Node A, use the command:

```
haremajor -vx major_number_vxio major_number_vxspec
```

For example, enter:

```
# haremajor -vx 32 33
```

If the command succeeds, proceed to step 8. If this command fails, you receive a report similar to the following:

```
Error: Preexisting major number 32
These are available numbers on this system: 128...
Check /etc/name_to_major on all systems for
available numbers.
```

- 6 If you receive this report, use the `haremajor` command on Node A to change the major number (32/33) to match that of Node B (36/37). For example, enter:

```
# haremajor -vx 36 37
```

If the command fails again, you receive a report similar to the following:

```
Error: Preexisting major number 36
These are available numbers on this node: 126...
Check /etc/name_to_major on all systems for
available numbers.
```

- 7 If you receive the second report, choose the larger of the two available numbers (in this example, 128). Use this number in the `haremajor` command to reconcile the major numbers. Type the following command on both nodes:

```
# haremajor -vx 128 129
```

- 8 Reboot each node on which `haremajor` was successful.
- 9 If the minor numbers match, proceed to reconcile the major and minor numbers of your next NFS block device.
- 10 If the block device on which the minor number does not match is a volume, consult the `vxidg(1M)` manual page. The manual page provides instructions on reconciling the Veritas Volume Manager minor numbers, and gives specific reference to the `reminor` option.

Node where the `vxio` driver number have been changed require rebooting.

# Configuring LLT over UDP

This appendix includes the following topics:

- [Using the UDP layer for LLT](#)
- [Manually configuring LLT over UDP using IPv4](#)
- [Using the UDP layer of IPv6 for LLT](#)
- [Manually configuring LLT over UDP using IPv6](#)

## Using the UDP layer for LLT

SFHA provides the option of using LLT over the UDP (User Datagram Protocol) layer for clusters using wide-area networks and routers. UDP makes LLT packets routable and thus able to span longer distances more economically.

### When to use LLT over UDP

Use LLT over UDP in the following situations:

- LLT must be used over WANs
- When hardware, such as blade servers, do not support LLT over Ethernet

LLT over UDP is slower than LLT over Ethernet. Use LLT over UDP only when the hardware configuration makes it necessary.

## Manually configuring LLT over UDP using IPv4

The following checklist is to configure LLT over UDP:

- Make sure that the LLT private links are on separate subnets. Set the broadcast address in `/etc/lltab` explicitly depending on the subnet for each link.



See [“Broadcast address in the /etc/llttab file”](#) on page 489.

- Make sure that each NIC has an IP address that is configured before configuring LLT.
- Make sure the IP addresses in the /etc/llttab files are consistent with the IP addresses of the network interfaces.
- Make sure that each link has a unique not well-known UDP port.  
See [“Selecting UDP ports”](#) on page 491.
- Set the broadcast address correctly for direct-attached (non-routed) links.  
See [“Sample configuration: direct-attached links”](#) on page 493.
- For the links that cross an IP router, disable broadcast features and specify the IP address of each link manually in the /etc/llttab file.  
See [“Sample configuration: links crossing IP routers”](#) on page 495.

## Broadcast address in the /etc/llttab file

The broadcast address is set explicitly for each link in the following example.

- Display the content of the /etc/llttab file on the first node sys1:

```
sys1 # cat /etc/llttab

set-node sys1
set-cluster 1
link link1 /dev/udp - udp 50000 - 192.168.9.1 192.168.9.255
link link2 /dev/udp - udp 50001 - 192.168.10.1 192.168.10.255
```

Verify the subnet mask using the ifconfig command to ensure that the two links are on separate subnets.

- Display the content of the /etc/llttab file on the second node sys2:

```
sys2 # cat /etc/llttab

set-node sys2
set-cluster 1
link link1 /dev/udp - udp 50000 - 192.168.9.2 192.168.9.255
link link2 /dev/udp - udp 50001 - 192.168.10.2 192.168.10.255
```

Verify the subnet mask using the ifconfig command to ensure that the two links are on separate subnets.

## The link command in the /etc/llttab file

Review the link command information in this section for the /etc/llttab file. See the following information for sample configurations:

- See [“Sample configuration: direct-attached links”](#) on page 493.
- See [“Sample configuration: links crossing IP routers”](#) on page 495.

[Table K-1](#) describes the fields of the link command that are shown in the /etc/llttab file examples. Note that some of the fields differ from the command for standard LLT links.

**Table K-1** Field description for link command in /etc/llttab

| Field                | Description                                                                                                                                                                                               |
|----------------------|-----------------------------------------------------------------------------------------------------------------------------------------------------------------------------------------------------------|
| <i>tag-name</i>      | A unique string that is used as a tag by LLT; for example link1, link2,....                                                                                                                               |
| <i>device</i>        | The device path of the UDP protocol; for example /dev/udp.                                                                                                                                                |
| <i>node-range</i>    | Nodes using the link. "-" indicates all cluster nodes are to be configured for this link.                                                                                                                 |
| <i>link-type</i>     | Type of link; must be "udp" for LLT over UDP.                                                                                                                                                             |
| <i>udp-port</i>      | Unique UDP port in the range of 49152-65535 for the link.<br>See <a href="#">“Selecting UDP ports”</a> on page 491.                                                                                       |
| <i>MTU</i>           | "-" is the default, which has a value of 8192. The value may be increased or decreased depending on the configuration. Use the <code>lltstat -l</code> command to display the current value.              |
| <i>IP address</i>    | IP address of the link on the local node.                                                                                                                                                                 |
| <i>bcast-address</i> | <ul style="list-style-type: none"> <li>■ For clusters with enabled broadcasts, specify the value of the subnet broadcast address.</li> <li>■ "-" is the default for clusters spanning routers.</li> </ul> |

## The set-addr command in the /etc/llttab file

The `set-addr` command in the /etc/llttab file is required when the broadcast feature of LLT is disabled, such as when LLT must cross IP routers.

See [“Sample configuration: links crossing IP routers”](#) on page 495.

[Table K-2](#) describes the fields of the set-addr command.

**Table K-2** Field description for set-addr command in /etc/llttab

| Field                | Description                                                                  |
|----------------------|------------------------------------------------------------------------------|
| <i>node-id</i>       | The ID of the cluster node; for example, 0.                                  |
| <i>link tag-name</i> | The string that LLT uses to identify the link; for example link1, link2,.... |
| <i>address</i>       | IP address assigned to the link for the peer node.                           |

## Selecting UDP ports

When you select a UDP port, select an available 16-bit integer from the range that follows:

- Use available ports in the private range 49152 to 65535
- Do not use the following ports:
  - Ports from the range of well-known ports, 0 to 1023
  - Ports from the range of registered ports, 1024 to 49151

To check which ports are defined as defaults for a node, examine the file /etc/services. You should also use the `netstat` command to list the UDP ports currently in use. For example:

```
# netstat -a | more
UDP
  Local Address          Remote Address         State
-----
      *.sunrpc           Idle
      *.*                Unbound
      *.32771            Idle
      *.32776            Idle
      *.32777            Idle
      *.name             Idle
      *.biff             Idle
      *.talk             Idle
      *.32779            Idle
      .
      .
      .
      *.55098            Idle
      *.syslog           Idle
```

```
*.58702           Idle
*.*              Unbound
```

Look in the UDP section of the output; the UDP ports that are listed under Local Address are already in use. If a port is listed in the /etc/services file, its associated name is displayed rather than the port number in the output.

## Configuring the netmask for LLT

For nodes on different subnets, set the netmask so that the nodes can access the subnets in use. Run the following command and answer the prompt to set the netmask:

```
# ifconfig interface_name netmask netmask
```

For example:

- For the first network interface on the node sys1:

```
IP address=192.168.9.1, Broadcast address=192.168.9.255,
Netmask=255.255.255.0
```

For the first network interface on the node sys2:

```
IP address=192.168.9.2, Broadcast address=192.168.9.255,
Netmask=255.255.255.0
```

- For the second network interface on the node sys1:

```
IP address=192.168.10.1, Broadcast address=192.168.10.255,
Netmask=255.255.255.0
```

For the second network interface on the node sys2:

```
IP address=192.168.10.2, Broadcast address=192.168.10.255,
Netmask=255.255.255.0
```

## Configuring the broadcast address for LLT

For nodes on different subnets, set the broadcast address in /etc/lfttab depending on the subnet that the links are on.

An example of a typical /etc/lfttab file when nodes are on different subnets. Note the explicitly set broadcast address for each link.

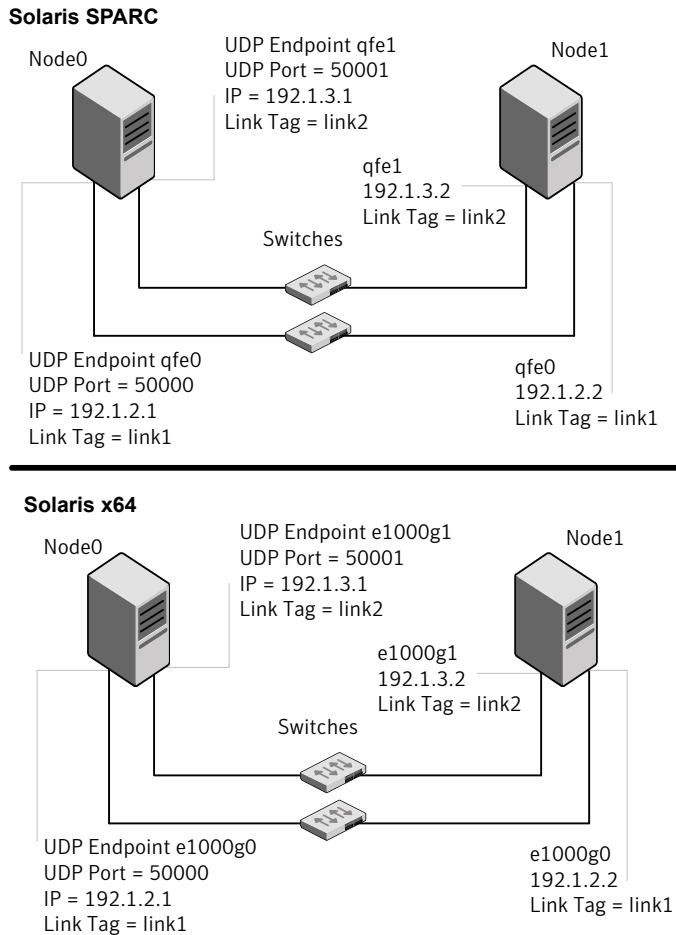
```
# cat /etc/llttab
set-node nodexyz
set-cluster 100

link link1 /dev/udp - udp 50000 - 192.168.30.1 192.168.30.255
link link2 /dev/udp - udp 50001 - 192.168.31.1 192.168.31.255
```

## Sample configuration: direct-attached links

Figure K-1 depicts a typical configuration of direct-attached links employing LLT over UDP.

**Figure K-1** A typical configuration of direct-attached links that use LLT over UDP



The configuration that the `/etc/llttab` file for Node 0 represents has directly attached crossover links. It might also have the links that are connected through a hub or switch. These links do not cross routers.

LLT broadcasts requests peer nodes to discover their addresses. So the addresses of peer nodes do not need to be specified in the `/etc/llttab` file using the `set-addr` command. For direct attached links, you do need to set the broadcast address of

the links in the `/etc/litab` file. Verify that the IP addresses and broadcast addresses are set correctly by using the `ifconfig -a` command.

```
set-node Node0
set-cluster 1
#configure Links
#link tag-name device node-range link-type udp port MTU \
IP-address bcast-address
link link1 /dev/udp - udp 50000 - 192.1.2.1 192.1.2.255
link link2 /dev/udp - udp 50001 - 192.1.3.1 192.1.3.255
```

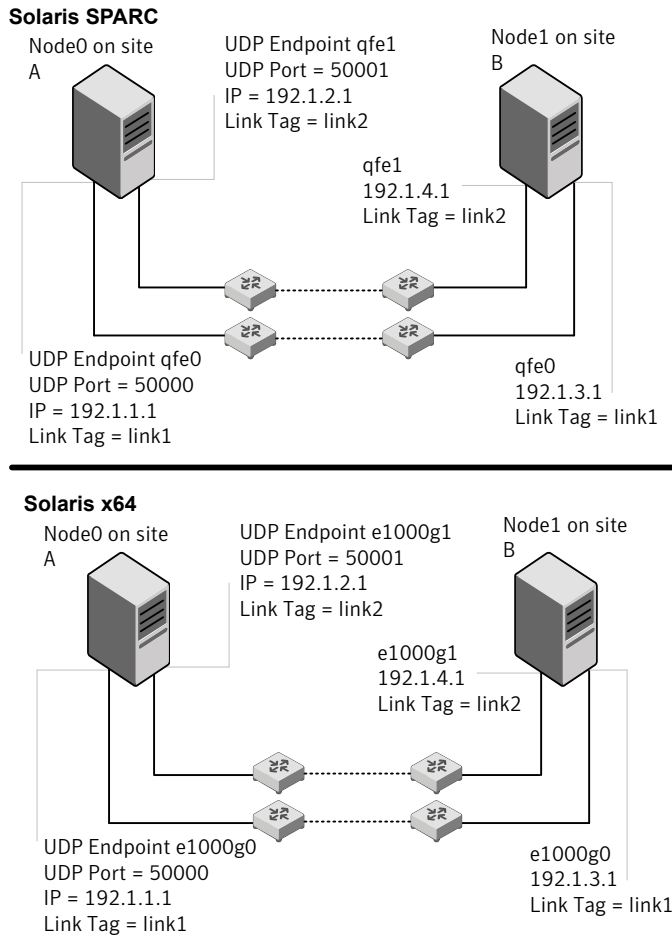
The file for Node 1 resembles:

```
set-node Node1
set-cluster 1
#configure Links
#link tag-name device node-range link-type udp port MTU \
IP-address bcast-address
link link1 /dev/udp - udp 50000 - 192.1.2.2 192.1.2.255
link link2 /dev/udp - udp 50001 - 192.1.3.2 192.1.3.255
```

## Sample configuration: links crossing IP routers

[Figure K-2](#) depicts a typical configuration of links crossing an IP router employing LLT over UDP. The illustration shows two nodes of a four-node cluster.

**Figure K-2** A typical configuration of links crossing an IP router



The configuration that the following `/etc/llttab` file represents for Node 1 has links crossing IP routers. Notice that IP addresses are shown for each link on each peer node. In this configuration broadcasts are disabled. Hence, the broadcast address does not need to be set in the `link` command of the `/etc/llttab` file.

```
set-node Node1
set-cluster 1
```



```
link link1 /dev/udp - udp 50000 - 192.1.3.1 -
link link2 /dev/udp - udp 50001 - 192.1.4.1 -

#set address of each link for all peer nodes in the cluster
#format: set-addr node-id link tag-name address
set-addr      0 link1 192.1.1.1
set-addr      0 link2 192.1.2.1
set-addr      2 link1 192.1.5.2
set-addr      2 link2 192.1.6.2
set-addr      3 link1 192.1.7.3
set-addr      3 link2 192.1.8.3

#disable LLT broadcasts
set-bcasthb   0
set-arp       0
```

The `/etc/llttab` file on Node 0 resembles:

```
set-node Node0
set-cluster 1

link link1 /dev/udp - udp 50000 - 192.1.1.1 -
link link2 /dev/udp - udp 50001 - 192.1.2.1 -

#set address of each link for all peer nodes in the cluster
#format: set-addr node-id link tag-name address
set-addr      1 link1 192.1.3.1
set-addr      1 link2 192.1.4.1
set-addr      2 link1 192.1.5.2
set-addr      2 link2 192.1.6.2
set-addr      3 link1 192.1.7.3
set-addr      3 link2 192.1.8.3

#disable LLT broadcasts
set-bcasthb   0
set-arp       0
```

## Using the UDP layer of IPv6 for LLT

Storage Foundation 6.0.1 provides the option of using LLT over the UDP (User Datagram Protocol) layer for clusters using wide-area networks and routers. UDP makes LLT packets routable and thus able to span longer distances more economically.

## When to use LLT over UDP

Use LLT over UDP in the following situations:

- LLT must be used over WANs
- When hardware, such as blade servers, do not support LLT over Ethernet

## Manually configuring LLT over UDP using IPv6

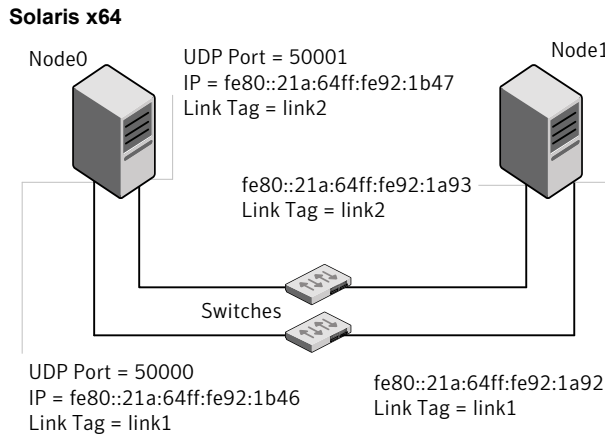
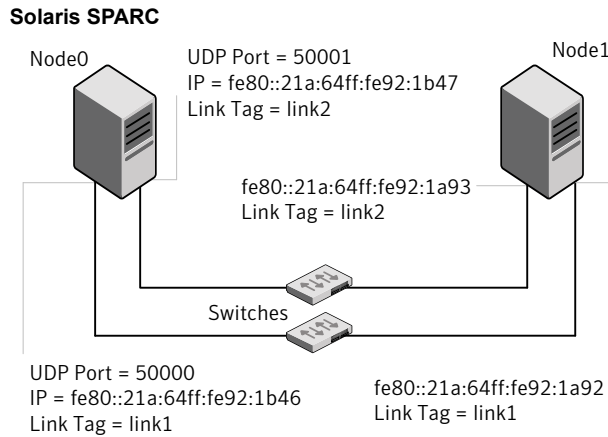
The following checklist is to configure LLT over UDP:

- For UDP6, the multicast address is set to "-".
- Make sure that each NIC has an IPv6 address that is configured before configuring LLT.
- Make sure the IPv6 addresses in the `/etc/llttab` files are consistent with the IPv6 addresses of the network interfaces.
- Make sure that each link has a unique not well-known UDP port.
- For the links that cross an IP router, disable multicast features and specify the IPv6 address of each link manually in the `/etc/llttab` file.  
See [“Sample configuration: links crossing IP routers”](#) on page 500.

## Sample configuration: direct-attached links

[Figure K-3](#) depicts a typical configuration of direct-attached links employing LLT over UDP.

**Figure K-3** A typical configuration of direct-attached links that use LLT over UDP



The configuration that the `/etc/lltab` file for Node 0 represents has directly attached crossover links. It might also have the links that are connected through a hub or switch. These links do not cross routers.

LLT uses IPv6 multicast requests for peer node address discovery. So the addresses of peer nodes do not need to be specified in the `/etc/lltab` file using the `set-addr` command. Use the `ifconfig -a` command to verify that the IPv6 address is set correctly.

```
set-node Node0
set-cluster 1
```

```
#configure Links
#link tag-name device node-range link-type udp port MTU \
IP-address mcast-address
link link1 /dev/udp6 - udp6 50000 - fe80::21a:64ff:fe92:1b46 -
link link1 /dev/udp6 - udp6 50001 - fe80::21a:64ff:fe92:1b47 -
```

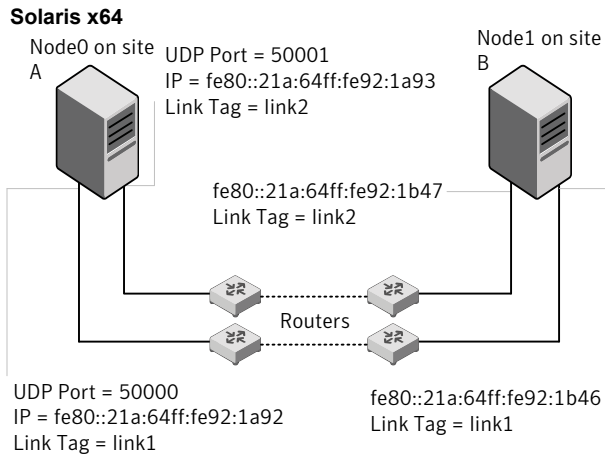
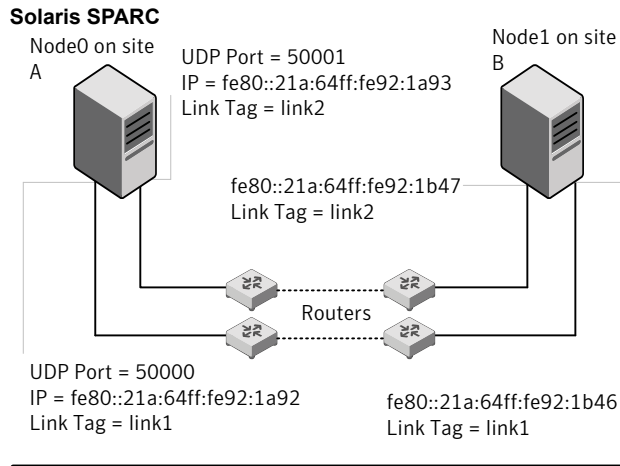
The file for Node 1 resembles:

```
set-node Node1
set-cluster 1
#configure Links
#link tag-name device node-range link-type udp port MTU \
IP-address mcast-address
link link1 /dev/udp6 - udp6 50000 - fe80::21a:64ff:fe92:1a92 -
link link1 /dev/udp6 - udp6 50001 - fe80::21a:64ff:fe92:1a93 -
```

## Sample configuration: links crossing IP routers

[Figure K-4](#) depicts a typical configuration of links crossing an IP router employing LLT over UDP. The illustration shows two nodes of a four-node cluster.

**Figure K-4** A typical configuration of links crossing an IP router



The configuration that the following `/etc/llttab` file represents for Node 1 has links crossing IP routers. Notice that IPv6 addresses are shown for each link on each peer node. In this configuration multicasts are disabled.

```
set-node Node1
set-cluster 1

link link1 /dev/udp6 - udp6 50000 - fe80::21a:64ff:fe92:1a92 -
link link1 /dev/udp6 - udp6 50001 - fe80::21a:64ff:fe92:1a93 -

#set address of each link for all peer nodes in the cluster
```

```
#format: set-addr node-id link tag-name address
set-addr 0 link1 fe80::21a:64ff:fe92:1b46
set-addr 0 link2 fe80::21a:64ff:fe92:1b47
set-addr 2 link1 fe80::21a:64ff:fe92:1d70
set-addr 2 link2 fe80::21a:64ff:fe92:1d71
set-addr 3 link1 fe80::209:6bff:fe1b:1c94
set-addr 3 link2 fe80::209:6bff:fe1b:1c95

#disable LLT multicasts
set-bcasthb 0
set-arp 0
```

The `/etc/llttab` file on Node 0 resembles:

```
set-node Node0
set-cluster 1

link link1 /dev/udp6 - udp6 50000 - fe80::21a:64ff:fe92:1b46 -
link link2 /dev/udp6 - udp6 50001 - fe80::21a:64ff:fe92:1b47 -

#set address of each link for all peer nodes in the cluster
#format: set-addr node-id link tag-name address
set-addr 1 link1 fe80::21a:64ff:fe92:1a92
set-addr 1 link2 fe80::21a:64ff:fe92:1a93
set-addr 2 link1 fe80::21a:64ff:fe92:1d70
set-addr 2 link2 fe80::21a:64ff:fe92:1d71
set-addr 3 link1 fe80::209:6bff:fe1b:1c94
set-addr 3 link2 fe80::209:6bff:fe1b:1c95

#disable LLT multicasts
set-bcasthb 0
set-arp 0
```

# Compatibility issues when installing Storage Foundation High Availability with other products

This appendix includes the following topics:

- [Installing, uninstalling, or upgrading Storage Foundation products when other Veritas products are present](#)
- [Installing, uninstalling, or upgrading Storage Foundation products when VOM is already present](#)
- [Installing, uninstalling, or upgrading Storage Foundation products when NetBackup is already present](#)

## Installing, uninstalling, or upgrading Storage Foundation products when other Veritas products are present

Installing Storage Foundation when other Veritas products are installed can create compatibility issues. For example, installing Storage Foundation products when VOM, ApplicationHA, and NetBackup are present on the systems.

## Installing, uninstalling, or upgrading Storage Foundation products when VOM is already present

If you plan to install or upgrade Storage Foundation products on systems where VOM has already been installed, be aware of the following compatibility issues:

- When you install or upgrade Storage Foundation products where SFM or VOM Central Server is present, the installer skips the VRTSsfmh upgrade and leaves the SFM Central Server and Managed Host packages as is.
- When uninstalling Storage Foundation products where SFM or VOM Central Server is present, the installer does not uninstall VRTSsfmh.
- When you install or upgrade Storage Foundation products where SFM or VOM Managed Host is present, the installer gives warning messages that it will upgrade VRTSsfmh.

## Installing, uninstalling, or upgrading Storage Foundation products when NetBackup is already present

If you plan to install or upgrade Storage Foundation on systems where NetBackup has already been installed, be aware of the following compatibility issues:

- When you install or upgrade Storage Foundation products where NetBackup is present, the installer does not uninstall VRTSspbx and VRTSicsco. It does not upgrade VRTSat.
- When you uninstall Storage Foundation products where NetBackup is present, the installer does not uninstall VRTSspbx, VRTSicsco, and VRTSat.



# Index

## A

- about
  - global clusters 29
- adding
  - users 109
- agents
  - disabling 367
- applications, stopping 239
- attributes
  - UseFence 207

## B

- backup boot disk group 312
  - rejoining 312
- block device
  - partitions
    - example file name 481
  - volumes
    - example file name 481

## C

- cables
  - cross-over Ethernet 384
- cluster
  - removing a node from 396
  - verifying operation 351
- command failures 471
- commands
  - format 55
  - hasstatus 351
  - hasys 352
  - lltconfig 431
  - lltstat 349
  - vxdisksetup (initializing disks) 118
  - vxlicinst 116–117
  - vxlicrep 115
- configuration
  - restoring the original 320
- configuring
  - rsh 51

- configuring (*continued*)
  - ssh 51
- configuring SFHA
  - script-based installer 96
- configuring VCS
  - adding users 109
  - event notification 110–111
  - global clusters 113
  - starting 98
- controllers
  - SCSI 52
- coordinator disks
  - DMP devices 28
  - for I/O fencing 28
  - setting up 206
- creating
  - Flash archive 199
  - post-deployment scripts 200

## D

- data disks
  - for I/O fencing 27
- disabling the agents 367
- disks
  - adding and initializing 118
  - coordinator 206
  - testing with vxfcntlshdw 119
  - verifying node access 120

## E

- Ethernet controllers 384

## F

- FC-AL controllers 55
- flarcreate 199
- Flash archive 199
  - post-deployment scripts 200
- freezing service groups 239

**G**

- GAB
  - description 25
- gabtab file
  - verifying after installation 431
- global clusters 29
  - configuration 113

**H**

- hastatus -summary command 351
- hasys -display command 352
- hubs
  - independent 384

**I**

- I/O fencing
  - checking disks 119
  - setting up 204
  - shared storage 119
- I/O fencing requirements
  - non-SCSI-3 37
- Installing
  - SFHA with the Web-based installer 144
- installing
  - JumpStart 195
  - post 114

**J**

- JumpStart
  - installing 195

**L**

- language packages
  - removal 373
- license keys
  - adding with vxlicinst 116
  - replacing demo key 117
- licenses
  - information about 115
- links
  - private network 431
- Live Upgrade
  - preparing 296
  - upgrade paths 293
  - upgrading Solaris on alternate boot disk 298
- LLT
  - description 25

**LLT (continued)**

- interconnects 26
- verifying 349
- lltconfig command 431
- llthosts file
  - verifying after installation 431
- lltstat command 349
- llttab file
  - verifying after installation 431
- localized environment settings for using VVR
  - settings for using VVR in a localized environment 236
- log files 472

**M**

- main.cf file
  - contents after installation 437
- main.cf files 442
- major and minor numbers
  - checking 482, 485
  - shared devices 481
- manual pages
  - potential problems 470
  - troubleshooting 470
- media speed 26
  - optimizing 25
- mounting
  - software disc 57

**N**

- NFS services
  - shared storage 481
- nodes
  - adding application nodes
    - configuring GAB 390
    - configuring LLT 390
    - configuring VXFEN 390
    - starting Volume Manager 390
- non-SCSI-3 fencing
  - manual configuration 218
  - setting up 218
- non-SCSI-3 I/O fencing
  - requirements 37
- non-SCSI3 fencing
  - setting up 134
  - using installsfha 134

**O**

- optimizing
  - media speed 25
- original configuration
  - restoring the 320

**P**

- PATH variable
  - VCS commands 348
- persistent reservations
  - SCSI-3 52
- phased 271
- phased upgrade 271, 273
  - example 272
- planning to upgrade VVR 233
- post-deployment scripts 200
- preinstallation 233
- preparing
  - Live Upgrade 296
- preparing to upgrade VVR 239
- problems
  - accessing manual pages 470
  - executing file system commands 471

**R**

- rejoining
  - backup boot disk group 312
- removing
  - the Replicated Data Set 368
- removing a system from a cluster 396
- Replicated Data Set
  - removing the 368
- restoring the original configuration 320
- rolling upgrade 266
  - versions 263
- rsh 99
  - configuration 51

**S**

- script-based installer
  - SFHA configuration overview 96
- SCSI driver
  - determining instance numbers 483
- SCSI-3
  - persistent reservations 52
- SCSI-3 persistent reservations
  - verifying 204

- service groups
  - freezing 239
  - unfreezing 319
- settings for using VVR in a localized environment
  - localized environment settings for using VVR 236
- SFHA
  - about 24
  - configuring 96
  - coordinator disks 206
- SFHA installation
  - verifying
    - cluster operations 348
    - GAB operations 348
    - LLT operations 348
- shared storage
  - Fibre Channel
    - setting up 55
  - NFS services 481
- SMTP email notification 110
- SNMP trap notification 111
- ssh 99
  - configuration 51
- starting configuration
  - installvcs program 99
  - Veritas product installer 98
- stopping
  - applications 239
- storage
  - setting up shared fibre 55
- system state attribute value 351

**T**

- troubleshooting
  - accessing manual pages 470
  - executing file system commands 471
- tunables file
  - about setting parameters 419
  - parameter definitions 424
  - preparing 423
  - setting for configuration 420
  - setting for installation 420
  - setting for upgrade 420
  - setting parameters 423
  - setting with no other operations 421
  - setting with un-integrated response file 422

**U**

- unfreezing service groups 319

unsuccessful upgrade 312

upgrade

    phased 271, 273

upgrade paths

    Live Upgrade 293

upgrading

    phased 271

upgrading VVR

    from 4.1 234

    planning 233

    preparing 239

using Live Upgrade 293

## V

VCS

    command directory path variable 348

    configuration files

        main.cf 435

verifying installation

    kernel component 347

Veritas Operations Manager 24

Volume Manager

    Fibre Channel 55

vradmin

    delpri 369

    stoprep 368

VVR 4.1

    planning an upgrade from 234

vvr\_upgrade\_finish script 321

vxdisksetup command 118

vxlicinst command 116

vxlicrep command 115

vxplex

    used to remove mirrors of root disk volumes 244,  
    248

## W

Web-based installer 144