

Veritas Storage Foundation™ and High Availability Solutions 6.0.1 Solutions Guide - Solaris

Veritas Storage Foundation and High Availability Solutions Guide

The software described in this book is furnished under a license agreement and may be used only in accordance with the terms of the agreement.

Product version: 6.0.1

Document version: 6.0.1 Rev 4

Legal Notice

Copyright © 2013 Symantec Corporation. All rights reserved.

Symantec, the Symantec Logo, the Checkmark Logo, Veritas, Veritas Storage Foundation, CommandCentral, NetBackup, Enterprise Vault, and LiveUpdate are trademarks or registered trademarks of Symantec Corporation or its affiliates in the U.S. and other countries. Other names may be trademarks of their respective owners.

The product described in this document is distributed under licenses restricting its use, copying, distribution, and decompilation/reverse engineering. No part of this document may be reproduced in any form by any means without prior written authorization of Symantec Corporation and its licensors, if any.

THE DOCUMENTATION IS PROVIDED "AS IS" AND ALL EXPRESS OR IMPLIED CONDITIONS, REPRESENTATIONS AND WARRANTIES, INCLUDING ANY IMPLIED WARRANTY OF MERCHANTABILITY, FITNESS FOR A PARTICULAR PURPOSE OR NON-INFRINGEMENT, ARE DISCLAIMED, EXCEPT TO THE EXTENT THAT SUCH DISCLAIMERS ARE HELD TO BE LEGALLY INVALID. SYMANTEC CORPORATION SHALL NOT BE LIABLE FOR INCIDENTAL OR CONSEQUENTIAL DAMAGES IN CONNECTION WITH THE FURNISHING, PERFORMANCE, OR USE OF THIS DOCUMENTATION. THE INFORMATION CONTAINED IN THIS DOCUMENTATION IS SUBJECT TO CHANGE WITHOUT NOTICE.

The Licensed Software and Documentation are deemed to be commercial computer software as defined in FAR 12.212 and subject to restricted rights as defined in FAR Section 52.227-19 "Commercial Computer Software - Restricted Rights" and DFARS 227.7202, "Rights in Commercial Computer Software or Commercial Computer Software Documentation", as applicable, and any successor regulations. Any use, modification, reproduction release, performance, display or disclosure of the Licensed Software and Documentation by the U.S. Government shall be solely in accordance with the terms of this Agreement.

Symantec Corporation
350 Ellis Street
Mountain View, CA 94043
<http://www.symantec.com>

Technical Support

Symantec Technical Support maintains support centers globally. Technical Support's primary role is to respond to specific queries about product features and functionality. The Technical Support group also creates content for our online Knowledge Base. The Technical Support group works collaboratively with the other functional areas within Symantec to answer your questions in a timely fashion. For example, the Technical Support group works with Product Engineering and Symantec Security Response to provide alerting services and virus definition updates.

Symantec's support offerings include the following:

- A range of support options that give you the flexibility to select the right amount of service for any size organization
- Telephone and/or Web-based support that provides rapid response and up-to-the-minute information
- Upgrade assurance that delivers software upgrades
- Global support purchased on a regional business hours or 24 hours a day, 7 days a week basis
- Premium service offerings that include Account Management Services

For information about Symantec's support offerings, you can visit our website at the following URL:

www.symantec.com/business/support/index.jsp

All support services will be delivered in accordance with your support agreement and the then-current enterprise technical support policy.

Contacting Technical Support

Customers with a current support agreement may access Technical Support information at the following URL:

www.symantec.com/business/support/contact_techsupp_static.jsp

Before contacting Technical Support, make sure you have satisfied the system requirements that are listed in your product documentation. Also, you should be at the computer on which the problem occurred, in case it is necessary to replicate the problem.

When you contact Technical Support, please have the following information available:

- Product release level

- Hardware information
- Available memory, disk space, and NIC information
- Operating system
- Version and patch level
- Network topology
- Router, gateway, and IP address information
- Problem description:
 - Error messages and log files
 - Troubleshooting that was performed before contacting Symantec
 - Recent software configuration changes and network changes

Licensing and registration

If your Symantec product requires registration or a license key, access our technical support Web page at the following URL:

www.symantec.com/business/support/

Customer service

Customer service information is available at the following URL:

www.symantec.com/business/support/

Customer Service is available to assist with non-technical questions, such as the following types of issues:

- Questions regarding product licensing or serialization
- Product registration updates, such as address or name changes
- General product information (features, language availability, local dealers)
- Latest information about product updates and upgrades
- Information about upgrade assurance and support contracts
- Information about the Symantec Buying Programs
- Advice about Symantec's technical support options
- Nontechnical presales questions
- Issues that are related to CD-ROMs or manuals

Support agreement resources

If you want to contact Symantec regarding an existing support agreement, please contact the support agreement administration team for your region as follows:

Asia-Pacific and Japan	customercare_apac@symantec.com
Europe, Middle-East, and Africa	semea@symantec.com
North America and Latin America	supportsolutions@symantec.com

Documentation

Your feedback on product documentation is important to us. Send suggestions for improvements and reports on errors or omissions. Include the title and document version (located on the second page), and chapter and section titles of the text on which you are reporting. Send feedback to:

doc_feedback@symantec.com

For information regarding the latest HOWTO articles, documentation updates, or to ask a question regarding product documentation, visit the Storage and Clustering Documentation forum on Symantec Connect.

<https://www-secure.symantec.com/connect/storage-management/forums/storage-and-clustering-documentation>

About Symantec Connect

Symantec Connect is the peer-to-peer technical community site for Symantec's enterprise customers. Participants can connect and share information with other product users, including creating forum posts, articles, videos, downloads, blogs and suggesting ideas, as well as interact with Symantec product teams and Technical Support. Content is rated by the community, and members receive reward points for their contributions.

<http://www.symantec.com/connect/storage-management>

Contents

Technical Support	4
Section 1 Solutions for Veritas Storage Foundation and High Availability products	15
Chapter 1 Solutions for Veritas Storage Foundation and High Availability products	17
About Storage Foundation and High Availability Solutions	17
Feature support across Veritas Storage Foundation and High Availability Solutions 6.0.1 products	19
Using SmartMove and Thin Provisioning with Sybase databases	21
Finding Veritas Storage Foundation and High Availability Solutions management feature information	22
Section 2 Improving database performance	23
Chapter 2 Overview of database accelerators	25
About Storage Foundation and High Availability Solutions products database accelerators	25
Chapter 3 Improving database performance with Veritas Quick I/O	29
About Quick I/O	29
How Quick I/O improves database performance	30
Tasks for setting up Quick I/O in a database environment	31
Creating Sybase files as Quick I/O files using qiomkfile	33
Preallocating space for Quick I/O files using the setext command	37
Accessing regular VxFS files as Quick I/O files	38
Displaying Quick I/O status and file attributes	40
Extending a Quick I/O file in a Sybase environment	42
Disabling Quick I/O	43

Chapter 4	Improving database performance with Veritas Cached Quick I/O	45
	About Cached Quick I/O	45
	Tasks for setting up Cached Quick I/O	46
	Enabling Cached Quick I/O on a file system	46
	Enabling and disabling the <code>qio_cache_enable</code> flag	47
	Making Cached Quick I/O settings persistent across reboots and mounts	48
	Using <code>vxtunefs</code> to obtain tuning information	49
	Determining candidates for Cached Quick I/O	50
	Collecting I/O statistics	51
	About I/O statistics	51
	Effects of read-aheads on I/O statistics	52
	Other tools for analysis	53
	Enabling and disabling Cached Quick I/O for individual files	53
	Setting cache advisories for individual files	54
	Making individual file settings for Cached Quick I/O persistent	54
	Determining individual file settings for Cached Quick I/O using <code>qioadmin</code>	55
Chapter 5	Improving database performance with Veritas Concurrent I/O	57
	About Concurrent I/O	57
	How Concurrent I/O works	57
	Tasks for enabling and disabling Concurrent I/O	58
	Enabling Concurrent I/O for Sybase	58
	Disabling Concurrent I/O for Sybase	59
Section 3	Using point-in-time copies	61
Chapter 6	Understanding point-in-time copy methods	63
	About point-in-time copies	63
	Implementing point-in time copy solutions on a primary host	64
	Implementing off-host point-in-time copy solutions	65
	When to use point-in-time copies	71
	About Storage Foundation point-in-time copy technologies	72
	Volume-level snapshots	73
	Storage Checkpoints	74

Chapter 7	Backing up and recovering	77
	Storage Foundation and High Availability Solutions backup and recovery methods	77
	Preserving multiple point-in-time copies	78
	Setting up multiple point-in-time copies	78
	Refreshing point-in-time copies	80
	Recovering from logical corruption	81
	Off-host processing using refreshed snapshot images	83
	Online database backups	83
	Making a backup of an online database on the same host	84
	Making an off-host backup of an online database	92
	Backing up on an off-host cluster file system	100
	Mounting a file system for shared access	102
	Preparing a snapshot of a mounted file system with shared access	102
	Backing up a snapshot of a mounted file system with shared access	104
	Resynchronizing a volume from its snapshot volume	108
	Reattaching snapshot plexes	109
	Database recovery using Storage Checkpoints	110
	Creating Storage Checkpoints	111
	Rolling back a database	112
Chapter 8	Backing up and recovering in a NetBackup environment	115
	About using NetBackup for backup and restore for Sybase	115
	About using Veritas NetBackup to backup and restore Quick I/O files for Sybase	116
	Using NetBackup in an SFHA Solutions product environment	117
	Clustering a NetBackup Master Server	117
	Backing up and recovering a VxVM volume using NetBackup	118
	Recovering a VxVM volume using NetBackup	119
Chapter 9	Off-host processing	121
	Storage Foundation off-host processing methods	121
	Using a replica database for decision support	122
	Creating a replica database on the same host	123
	Creating an off-host replica database	131
	What is off-host processing?	141
	About using VVR for off-host processing	142

Chapter 10	Creating and refreshing test environments	143
	About test environments	143
	Creating a test environment	143
	Refreshing a test environment	144
Chapter 11	Creating point-in-time copies of files	147
	Using FileSnaps to create point-in-time copies of files	147
	Using FileSnaps to provision virtual desktops	147
	Using FileSnaps to optimize write intensive applications for virtual machines	148
	Using FileSnaps to create multiple copies of data instantly	148
Section 4	Maximizing storage utilization	151
Chapter 12	Optimizing storage tiering with SmartTier	153
	About SmartTier	153
	About VxFS multi-volume file systems	155
	About VxVM volume sets	156
	About volume tags	156
	SmartTier use cases for Sybase	157
	Setting up a filesystem for storage tiering with SmartTier	157
	Relocating old archive logs to tier two storage using SmartTier	160
	Relocating inactive tablespaces or segments to tier two storage	162
	Relocating active indexes to premium storage	165
	Relocating all indexes to premium storage	166
Section 5	Migrating data	171
Chapter 13	Understanding data migration	173
	Types of data migration	173
Chapter 14	Offline migration from Solaris Volume Manager to Veritas Volume Manager	175
	About migration from Solaris Volume Manager	175
	How Solaris Volume Manager objects are mapped to VxVM objects	177
	Conversion of soft partitions	179
	Overview of the conversion process	180
	Plan and prepare for the conversion	181

	Set up the conversion	181
	Perform the conversion	182
	Perform post-conversion tasks	182
	Planning the conversion	182
	Scheduling considerations	183
	Schedule downtime	183
	Check metadevices	184
	Identify references by applications	185
	Preparing a Solaris Volume Manager configuration for conversion	185
	Installing VxVM	185
	Setting up a Solaris Volume Manager configuration for conversion	186
	Run preconvert	186
	Run showconvert	187
	Run convertname	187
	Make backups	189
	Converting from the Solaris Volume Manager software to VxVM	189
	Reboot the system	190
	Change volume references	190
	Post conversion tasks	190
	Improve volume layouts	190
	Remove the Solaris Volume Manager software	191
	Converting a root disk	191
Chapter 15	Online migration of a native file system to the VxFS file system	193
	About online migration of a native file system to the VxFS file system	193
	Administrative interface for online migration of a native file system to the VxFS file system	194
	Migrating a native file system to the VxFS file system	195
	Migrating a source file system to the VxFS file system over NFS v3	197
	Restrictions of NFS v3 migration	198
	Backing out an online migration of a native file system to the VxFS file system	199
	VxFS features not available during online migration	199
Chapter 16	Migrating storage arrays	201
	Migration between storage arrays using a Linux example	201
	Overview of storage mirroring for migration	202

Allocating new storage	203
Initializing the new disk	205
Checking the current VxVM information	206
Adding a new disk to the disk group	207
Mirroring	208
Monitoring	209
Mirror completion	210
Removing old storage	210
Post-mirroring steps	211
Chapter 17	
Migrating data between platforms	213
Overview of the Cross-platform Data Sharing (CDS) feature	213
CDS disk format and disk groups	216
CDS disk access and format	216
Non-CDS disk groups	221
Disk group alignment	221
Setting up your system to use Cross-platform Data Sharing (CDS)	223
Creating CDS disks from uninitialized disks	224
Creating CDS disks from initialized VxVM disks	224
Creating CDS disk groups	225
Converting non-CDS disks to CDS disks	226
Converting a non-CDS disk group to a CDS disk group	228
Verifying licensing	230
Defaults files	230
Maintaining your system	232
Disk tasks	233
Disk group tasks	234
Displaying information	241
Default activation mode of shared disk groups	244
Additional considerations when importing CDS disk groups	244
File system considerations	245
Considerations about data in the file system	245
File system migration	246
Specifying the migration target	246
Using the fscdsadm command	248
Migrating a file system one time	250
Migrating a file system on an ongoing basis	251
When to convert a file system	253
Converting the byte order of a file system	253
Alignment value and block size	257
Disk group alignment and encapsulated disks	258

Disk group import between Linux and non-Linux machines	258
Migrating a snapshot volume	259
Index	261

Solutions for Veritas Storage Foundation and High Availability products

- [Chapter 1. Solutions for Veritas Storage Foundation and High Availability products](#)

Solutions for Veritas Storage Foundation and High Availability products

This chapter includes the following topics:

- [About Storage Foundation and High Availability Solutions](#)
- [Feature support across Veritas Storage Foundation and High Availability Solutions 6.0.1 products](#)
- [Using SmartMove and Thin Provisioning with Sybase databases](#)
- [Finding Veritas Storage Foundation and High Availability Solutions management feature information](#)

About Storage Foundation and High Availability Solutions

Veritas Storage Foundation and High Availability (SFHA) Solutions product components and features can be used individually and in concert to improve performance, resilience and ease of management for your storage and applications. This guide documents key use cases for the management features of SFHA Solutions products:

Table 1-1 Key use cases for SFHA Solutions products

Use case	SFHA Solutions feature
<p>Improve database performance using SFHA Solutions database accelerators to enable your database to achieve the speed of raw disk while retaining the management features and convenience of a file system.</p> <p>See “About Storage Foundation and High Availability Solutions products database accelerators” on page 25.</p>	<p>Quick I/O Cached Quick I/O Concurrent I/O Veritas Extension for Oracle Disk Manager Veritas Extension for Cached Oracle Disk Manager</p>
<p>Protect your data using SFHA Solutions Flashsnap, Storage Checkpoints, and NetBackup point-in-time copy methods to back up and recover your data.</p>	<p>FlashSnap Storage Checkpoints NetBackup with SFHA Solutions</p>
<p>Process your data off-host to avoid performance loss to your production hosts by using SFHA Solutions volume snapshots.</p>	<p>FlashSnap</p>
<p>Optimize copies of your production database for test, decision modeling, and development purposes by using SFHA Solutions point-in-time copy methods.</p>	<p>FlashSnap</p>
<p>Make file level point-in-time snapshots using SFHA Solutions space-optimized FileSnap when you need finer granularity for your point-in-time copies than file systems or volumes. You can use FileSnap for cloning virtual machines.</p>	<p>FileSnap</p>
<p>Maximize your storage utilization using SFHA Solutions SmartTier to move data to storage tiers based on age, priority, and access rate criteria.</p>	<p>SmartTier</p>
<p>Convert your data from native OS file system and volumes to VxFS and VxVM using SFHA Solutions conversion utilities.</p>	<p>Offline conversion utility Online migration utility</p>
<p>Convert your data from raw disk to VxFS: use SFHA Solutions.</p>	<p>Offline conversion utility</p>

Table 1-1 Key use cases for SFHA Solutions products (*continued*)

Use case	SFHA Solutions feature
Migrate your data from one platform to another (server migration) using SFHA Solutions.	Portable Data Containers
Migrate your data across arrays using SFHA Solutions Portable Data Containers.	Volume mirroring

Feature support across Veritas Storage Foundation and High Availability Solutions 6.0.1 products

Storage solutions and use cases are based on the shared management features of Veritas Storage Foundation and High Availability (SFHA) Solutions products. Clustering features are available separately through Veritas Cluster Server (VCS) as well as through the SFHA Solutions products.

[Table 1-2](#) lists the features supported across SFHA Solutions products. [Table 1-3](#) lists the high availability and disaster recovery features available in VCS.

Table 1-2 Storage management features in SFHA Solutions products

Storage management feature	SF Basic	SF Std.	SF Ent.	SF Std. HA	SF Ent. HA	SFCFS HA	SFRAC	SVS	SF Syb CE
Veritas Extension for Oracle Disk Manager	N	Y	Y	Y	Y	Y	Y	Y	N
Veritas Extension for Cached Oracle Disk Manager Note: Not supported for Oracle RAC.	N	Y	Y	Y	Y	Y	N	Y	N
Quick I/O	Y	Y	Y	Y	Y	Y	Y	Y	Y
Cached Quick I/O	Y	Y	Y	Y	Y	Y	Y	Y	Y
Concurrent I/O	Y	Y	Y	Y	Y	Y	Y	Y	Y
Compression	N	Y	Y	Y	Y	Y	Y	Y	Y
Deduplication	N	N	Y	N	Y	Y	Y	Y	Y
SmartMove	Y	Y	Y	N	Y	Y	Y	Y	Y

Table 1-2 Storage management features in SFHA Solutions products
(continued)

Storage management feature	SF Basic	SF Std.	SF Ent.	SF Std. HA	SF Ent. HA	SFCFS HA	SFRAC	SVS	SF Syb CE
SmartTier	N	Y	Y	Y	Y	Y	Y	Y	Y
SmartTier for Oracle	N	N	Y	N	Y	Y	Y	N	N
Thin Reclamation	Y	Y	Y	Y	Y	Y	Y	Y	Y
Portable Data Containers	Y	Y	Y	Y	Y	Y	Y	Y	Y
FlashSnap	N	N	Y	N	Y	Y	Y	Y	Y
Database FlashSnap	N	N	Y	N	Y	Y	Y	N	N
Storage Checkpoints	N	N	Y	N	Y	Y	Y	Y	Y
Database Storage Checkpoints	N	N	Y	N	Y	Y	Y	N	N
FileSnap	N	N	Y	N	Y	Y	Y	Y	N
Volume replication	O	O	O	O	O	O	O	O	O
Advanced support for virtual storage	Y	Y	Y	Y	Y	Y	N	N	N
Symantec Storage Plug-in for VMWare vCenter	N	N	N	N	N	N	N	Y	N
Clustering features for high availability (HA)	N	N	N	Y	Y	Y	Y	Y	Y
Disaster recovery features (HA/DR)	N	N	N	O	O	O	O	N	O

Table 1-3 Availability management features in SFHA Solutions products

Availability management feature	VCS	VCS HA/DR
Clustering for high availability (HA)	Y	Y
Database and application/ISV agents	Y	Y
Advanced failover logic	Y	Y
Data integrity protection with I/O fencing	Y	Y
Advanced virtual machines support	Y	Y
Virtual Business Services	Y	Y

Table 1-3 Availability management features in SFHA Solutions products
(continued)

Availability management feature	VCS	VCS HA/DR
Replication agents	N	Y
Replicated Data Cluster	N	Y
Campus (stretch) cluster	N	Y
Global clustering (GCO)	N	Y
Fire Drill	N	Y

- Y=Feature is included in your license.
- O=Feature is not included in your license but may be licensed separately.
- N=Feature is not supported with your license.

Notes:

- The Veritas File Replicator license includes file replication.
- The Veritas Replicator license include both file replication and volume replication (previously known as Veritas Volume Replicator, VVR).
- SmartTier is an expanded and renamed version of Dynamic Storage Tiering (DST).
- All features listed in [Table 1-2](#) and [Table 1-3](#) are supported on Solaris except as noted. Consult specific product documentation for information on supported operating systems.

Using SmartMove and Thin Provisioning with Sybase databases

You can use SmartMove and Thin Provisioning with Veritas Storage Foundation and High Availability products and Sybase databases.

When data files are deleted, you can reclaim the storage space used by these files if the underlying devices are thin reclaimable LUNs.

For information about the Storage Foundation Thin Reclamation feature, see the *Veritas Storage Foundation Administrator's Guide*.

Finding Veritas Storage Foundation and High Availability Solutions management feature information

The following Veritas Storage Foundation and High Availability Solutions management features are illustrated with use case examples in this guide:

- Improving database performance
- Backing up and recovering your data
- Processing data off-host
- Optimizing test and development environments
- Maximizing storage utilization
- Converting your data from native OS to VxFS
- Converting your data from raw disk to VxFS
- Migrating your data from one platform to another (server migration)
- Migrating your data across arrays

For Veritas Storage Foundations and High Availability Solutions management features concept and administrative information, see the following guides:

- *Veritas Storage Foundation™ Administrator's Guide*
- *Veritas Storage Foundation™ for Cluster File System High Availability Administrator's Guide.*
- *Veritas Storage Foundation™ for Oracle RAC Administrator's Guide.*
- *Veritas Storage Foundation™ for Sybase ASE CE Administrator's Guide.*

For Information on using Veritas Storage Foundations and High Availability Solutions management features with Oracle databases, see: *Veritas Storage Foundation™: Storage and Availability Management for Oracle Databases.*

For Information on using Veritas Storage Foundations and High Availability Solutions management features with DB2 databases, see: *Veritas Storage Foundation™: Storage and Availability Management for DB2 Databases.*

For Information on using Veritas Storage Foundations and High Availability Solutions replication features, see: *Veritas Storage Foundation and High Availability Solutions Replication Administrator's Guide*

Improving database performance

- [Chapter 2. Overview of database accelerators](#)
- [Chapter 3. Improving database performance with Veritas Quick I/O](#)
- [Chapter 4. Improving database performance with Veritas Cached Quick I/O](#)
- [Chapter 5. Improving database performance with Veritas Concurrent I/O](#)

Overview of database accelerators

This chapter includes the following topics:

- [About Storage Foundation and High Availability Solutions products database accelerators](#)

About Storage Foundation and High Availability Solutions products database accelerators

The major concern in any environment is maintaining respectable performance or meeting performance service level agreements (SLAs). Veritas Storage Foundation and High Availability Solutions products improve the overall performance of database environments in a variety of ways.

Table 2-1 Storage Foundation and High Availability Solutions database accelerators

SFHA Solutions database accelerator	Supported databases	Use cases and considerations
Oracle Disk Manager (ODM)	Oracle	<ul style="list-style-type: none"> ■ To improve Oracle performance and manage system bandwidth through an improved Application Programming Interface (API) that contains advanced kernel support for file I/O. ■ To use Oracle Resilvering and turn off Veritas Volume Manager Dirty Region Logging (DRL) to increase performance, use ODM. ■ To reduce the time required to restore consistency, freeing more I/O bandwidth for business-critical applications, use SmartSync recovery accelerator.
Cached Oracle Disk Manager (Cached ODM)	Oracle	To enable selected I/O to use caching to improve ODM I/O performance, use Cached ODM.
Quick I/O (QIO)	Oracle DB2 Sybase	To achieve raw device performance for databases run on VxFS file systems, use Veritas Quick I/O.
Cached Quick I/O (Cached QIO)	Oracle DB2 Sybase	To further enhance database performance by leveraging large system memory to selectively buffer the frequently accessed data, use Cached QIO.
Concurrent I/O	DB2 Sybase	<p>Concurrent I/O (CIO) is optimized for DB2 and Sybase environments</p> <p>To achieve improved performance for databases run on VxFS file systems without restrictions on increasing file size, use Veritas Concurrent I/O.</p>

These database accelerator technologies enable database performance equal to raw disk partitions, but with the manageability benefits of a file system. With the Dynamic Multi-pathing (DMP) feature of Storage Foundation, performance is maximized by load-balancing I/O activity across all available paths from server

to array. DMP supports all major hardware RAID vendors, hence there is no need for third-party multi-pathing software, reducing the total cost of ownership.

Storage Foundation and High Availability Solutions database accelerators enable you to manage performance for your database with more precision.

For details about using ODM, Cached ODM, QI/O, and Cached QIO for Oracle, see *Veritas Storage Foundation: Storage and Availability Management for Oracle Databases*.

For details about using QIO, Cached QIO, and Concurrent I/O for DB2, see *Veritas Storage Foundation: Storage and Availability Management for DB2 Databases*.

Improving database performance with Veritas Quick I/O

This chapter includes the following topics:

- [About Quick I/O](#)
- [Tasks for setting up Quick I/O in a database environment](#)
- [Creating Sybase files as Quick I/O files using qiomkfile](#)
- [Preallocating space for Quick I/O files using the setext command](#)
- [Accessing regular VxFS files as Quick I/O files](#)
- [Displaying Quick I/O status and file attributes](#)
- [Extending a Quick I/O file in a Sybase environment](#)
- [Disabling Quick I/O](#)

About Quick I/O

Veritas Quick I/O is a VxFS feature included in Veritas Storage Foundation Standard and Enterprise products that enables applications access preallocated VxFS files as raw character devices. Quick I/O provides the administrative benefits of running databases on file systems without the typically associated degradation in performance.

How Quick I/O improves database performance

Quick I/O improves database performance by:

- Improved performance and processing throughput because Quick I/O files act as raw devices.
- Ability to manage Quick I/O files as regular files, which simplifies administrative tasks such as allocating, moving, copying, resizing, and backing up Sybase dataservers.

Quick I/O's ability to access regular files as raw devices improves database performance by:

Table 3-1

Quick I/O feature	Advantage
Supporting direct I/O	I/O on files using <code>read()</code> and <code>write()</code> system calls typically results in data being copied twice: once between user and kernel space, and later between kernel space and disk. In contrast, I/O on raw devices is direct. That is, data is copied directly between user space and disk, saving one level of copying. As with I/O on raw devices, Quick I/O avoids extra copying.
Avoiding kernel write locks on database files	When database I/O is performed using the <code>write()</code> system call, each system call acquires and releases a write lock inside the kernel. This lock prevents multiple simultaneous write operations on the same file. Because database systems usually implement their own locking to manage concurrent access to files, per file writer locks unnecessarily serialize I/O operations. Quick I/O bypasses file system per file locking and lets the database server control data access.

Table 3-1 (continued)

Quick I/O feature	Advantage
Avoiding double buffering	Most database servers maintain their own buffer cache and do not need the file system buffer cache. Database data cached in the file system buffer is therefore redundant and results in wasted memory and extra system CPU utilization to manage the buffer. By supporting direct I/O, Quick I/O eliminates double buffering. Data is copied directly between the relational database management system (RDBMS) cache and disk, which lowers CPU utilization and frees up memory that can then be used by the database server buffer cache to further improve transaction processing throughput.
Supporting kernel asynchronous I/O	Solaris kernel asynchronous I/O is a form of I/O that performs non-blocking system level reads and writes, allowing the system to handle multiple I/O requests simultaneously. Operating systems such as Solaris provide kernel support for asynchronous I/O on raw devices, but not on regular files. As a result, even if the database server is capable of using asynchronous I/O, it cannot issue asynchronous I/O requests when the database runs on file systems. Lack of asynchronous I/O significantly degrades performance. Quick I/O enables the database server to take advantage of kernel-supported asynchronous I/O on file system files accessed using the Quick I/O interface.

Tasks for setting up Quick I/O in a database environment

Quick I/O is included in the VxFS package shipped with Veritas Storage Foundation Standard and Enterprise products. By default, Quick I/O is enabled when you mount a VxFS file system.

If Quick I/O is not available in the kernel, or a Veritas Storage Foundation Standard or Enterprise product license is not installed, a file system mounts without Quick I/O by default, the Quick I/O file name is treated as a regular file, and no error message is displayed. If, however, you specify the `-o qio` option, the `mount` command prints the following error message and terminates without mounting the file system.

```
VxFDD: You don't have a license to run this program  
vxfs mount: Quick I/O not available
```

To use Quick I/O, you must:

- **Preallocate files on a VxFS file system**

Preallocating database files for Quick I/O allocates contiguous space for the files. The file system space reservation algorithms attempt to allocate space for an entire file as a single contiguous extent. When this is not possible due to lack of contiguous space on the file system, the file is created as a series of direct extents. Accessing a file using direct extents is inherently faster than accessing the same data using indirect extents. Internal tests have shown performance degradation in OLTP throughput when using indirect extent access. In addition, this type of preallocation causes no fragmentation of the file system.

You must preallocate Quick I/O files because they cannot be extended through writes using their Quick I/O interfaces. They are initially limited to the maximum size you specify at the time of creation.

See [“Extending a Quick I/O file in a Sybase environment”](#) on page 42.

- **Use a special file naming convention to access the files**

VxFS uses a special naming convention to recognize and access Quick I/O files as raw character devices. VxFS recognizes the file when you add the following extension to a file name:

```
::cdev:vxfs:
```

Whenever an application opens an existing VxFS file with the extension `::cdev:vxfs:` (cdev being an acronym for character device), the file is treated as if it were a raw device. For example, if the file `temp01` is a regular VxFS file, then an application can access `temp01` as a raw character device by opening it with the name:

```
.temp01::cdev:vxfs:
```

Note: We recommend reserving the `::cdev:vxfs:` extension only for Quick I/O files. If you are not using Quick I/O, you could technically create a regular file with this extension; however, doing so can cause problems if you later enable Quick I/O.

Depending on whether you are creating a new database or are converting an existing database to use Quick I/O, you have the following options:

If you are creating a new database to use Quick I/O:

- You can use the `qiomkfile` command to preallocate space for database files and make them accessible to the Quick I/O interface.

See “[Creating Sybase files as Quick I/O files using `qiomkfile`](#)” on page 33.

- You can use the `setext` command to preallocate space for database files and create the Quick I/O files.

See “[Preallocating space for Quick I/O files using the `setext` command](#)” on page 37.

If you are converting an existing database:

- You can create symbolic links for existing VxFS files, and use these symbolic links to access the files as Quick I/O files.

See “[Accessing regular VxFS files as Quick I/O files](#)” on page 38.

Creating Sybase files as Quick I/O files using `qiomkfile`

The best way to preallocate space for tablespace containers and to make them accessible using the Quick I/O interface is to use the `qiomkfile`. You can use the `qiomkfile` to create the Quick I/O files for either temporary or permanent tablespaces.

Prerequisites	<ul style="list-style-type: none">■ You can create Quick I/O files only on VxFS file systems.■ If you are creating containers on an existing file system, run <code>fsadm</code> (or similar utility) to report and eliminate fragmentation.■ You must have read/write permissions on the directory in which you intend to create database Quick I/O files.
Usage notes	<ul style="list-style-type: none">■ The <code>qiomkfile</code> command creates two files: a regular file with preallocated, contiguous space, and a file that is a symbolic link pointing to the Quick I/O name extension.■ See the <code>qiomkfile(1M)</code> manual page for more information.
<code>-a</code>	Creates a symbolic link with an absolute path name for a specified file. Use the <code>-a</code> option when absolute path names are required. However, the default is to create a symbolic link with a relative path name.
<code>-e</code>	Extends a file by a specified amount to allow tablespace resizing. See “ Extending a Quick I/O file in a Sybase environment ” on page 42.
<code>-r</code>	Increases the file to a specified size to allow database tablespace resizing. See “ Extending a Quick I/O file in a Sybase environment ” on page 42.

`-s` Specifies the space to preallocate for a file in bytes, kilobytes, megabytes, gigabytes, or sectors (512 bytes) by adding a `k`, `K`, `m`, `M`, `g`, `G`, `s`, or `S` suffix. The default is bytes—you do not need to attach a suffix to specify the value in bytes. The size of the file that is preallocated is the total size of the file (including the header) rounded to the nearest multiple of the file system block size.

Warning: Exercise caution when using absolute path names. Extra steps may be required during database backup and restore procedures to preserve symbolic links. If you restore files to directories different from the original paths, you must change the symbolic links that use absolute path names to point to the new path names before the database is restarted.

To create a Sybase database file as a Quick I/O file using qiomkfile

- 1 Create a database file using the `qiomkfile` command:

```
# /opt/VRTS/bin/qiomkfile -s file_size /mount_point/filename
```

For example, to show how to create a 100MB database file named `dbfile` on the VxFS file system `/db01` using a relative path name:

```
# /opt/VRTS/bin/qiomkfile -s 100m /db01/dbfile
```

```
$ ls -al
```

```
-rw-r--r--  1 sybase  sybase  104857600  Oct 2 13:42  .dbfile
lrwxrwxrwx  1 sybase  sybase           19  Oct 2 13:42  dbfile -> \
.dbfile::cdev:vxfs:
```

- 2 Add a device to the Sybase dataserer device pool for the Quick I/O file using the `disk init` command:

```
$ isql -Usa -Psa_password -Sdataserver_name
> disk init
> name="device_name",
> physname="/mount_point/filename",
> vdevno="device_number",
> size=51200
> go
> alter database production on new_device=file_size
> go
```

The size is in 2K units. The Enterprise Reference manual contains more information on the `disk init` command.

In the example from 1, `qiomkfile` creates a regular file named `/db01/.dbfile`, which has the real space allocated. Then, `qiomkfile` creates a symbolic link named `/db01/dbfile`. The symbolic link is a relative link to the Quick I/O interface for `/db01/.dbfile`, that is, to the `.dbfile::cdev:vxfs: file`. The symbolic link allows `.dbfile` to be accessed by any database or application using its Quick I/O interface.

The device size is a multiple of 2K pages. In the example, 51200 times 2K pages is 104857600 bytes. The `qiomkfile` command must use this size.

An example to show how to add a 100MB Quick I/O file named `dbfile` to the list of devices used by database `production`, using the `disk init` command:

```
$ isql -Usa -Psa_password -Sdataserver_name
> disk init
> name="new_device",
> physname="/db01/dbfile",
> vdevno="device_number",
> size=51200
> go
> alter database production on new_device=100
> go
```

See the *Sybase Adaptive Server Enterprise Reference Manual*.

3 Use the file to create a new segment or add to an existing segment.

To add a new segment:

```
$ isql -Usa -Psa_password -Sdataserver_name
> sp_addsegment new_segment, db_name, device_name
> go
```

To extend a segment:

```
$ isql -Usa -Psa_password -Sdataserver_name
> sp_extendsegment segment_name, db_name, device_name
> go
```

An example to show how to create a new segment, named `segment2`, for device `dbfile` on database `production`:

```
$ isql -Usa_password -Sdataserver_name
> sp_addsegment segment2, production, dbfile
> go
```

An example to show how to extend a segment, named `segment1`, for device `dbfile` on database `production`:

```
$ isql -Usa_password -Sdataserver_name
> sp_extendsegment segment1, production, dbfile
> go
```

See the *Sybase Adaptive Server Enterprise Reference Manual*.

Preallocating space for Quick I/O files using the `setext` command

As an alternative to using the `qiomkfile` command, you can also use the VxFS `setext` command to preallocate space for database files.

Before preallocating space with `setext`, make sure the following conditions have been met:

- | | |
|---------------|---|
| Prerequisites | ■ The <code>setext</code> command requires superuser (<code>root</code>) privileges. |
| Usage notes | ■ You can use the <code>chown</code> command to change the owner and group permissions on the file after you create it.
See the <code>setext</code> (1M) manual page for more information. |

To create a Quick I/O database file using `setext`

- 1 Access the VxFS mount point and create a file:

```
# cd /mount_point  
  
# touch .filename
```

- 2 Use the `setext` command to preallocate space for the file:

```
# /opt/VRTS/bin/setext -r size -f noreserve -f chgsize \  
.filename
```

- 3 Create a symbolic link to allow databases or applications access to the file using its Quick I/O interface:

```
# ln -s .filename::
```

- 4 Change the owner and group permissions on the file.

Sybase example:

```
# chown sybase:sybase .filename  
  
# chmod 660 .filename
```

- 5 To access the mountpoint for the database:

For example, for `/db01`, create a container, preallocate the space, and change the permissions:

```
# cd /db01  
# touch .dbfile  
# /opt/VRTS/bin/setext -r 100M -f noreserve -f chgsize .dbfile  
# ln -s .dbfile::
```

Sybase example:

```
# chown sybase:sybase .dbfile  
  
# chmod 660 .dbfile
```

Accessing regular VxFS files as Quick I/O files

You can access regular VxFS files as Quick I/O files using the `::cdev:vxfs: name` extension.

While symbolic links are recommended because they provide easy file system management and location transparency of database files, the drawback of using symbolic links is that you must manage two sets of files (for instance, during database backup and restore).

Usage notes

- If possible, use relative path names instead of absolute path names when creating symbolic links to access regular files as Quick I/O files. Using relative path names prevents copies of the symbolic link from referring to the original file when the directory is copied. This is important if you are backing up or moving database files with a command that preserves the symbolic link. However, some applications require absolute path names. If a file is then relocated to another directory, you must change the symbolic link to use the new absolute path. Alternatively, you can put all the symbolic links in a directory separate from the data directories. For example, you can create a directory named `/database` and put all the symbolic links there, with the symbolic links pointing to absolute path names.

To access an existing regular file as a Quick I/O file on a VxFS file system

1 Access the VxFS file system mount point containing the regular files:

```
$ cd /mount_point
```

2 Create the symbolic link:

```
$ mv filename .filename  
$ ln -s .filename::cdev:vxfs: filename
```

This example shows how to access the VxFS file `dbfile` as a Quick I/O file:

```
$ cd /db01  
$ mv dbfile .dbfile  
$ ln -s .dbfile::cdev:vxfs: dbfile
```

This example shows how to confirm the symbolic link was created:

```
$ ls -lo .dbfile dbfile
```

Sybase example:

```
$ ls -lo .dbfile dbfile  
  
-rw-r--r--  1 sybase  104890368  Oct 2 13:42  .dbfile  
  
lrwxrwxrwx  1 sybase    19      Oct 2 13:42  dbfile ->  
.dbfile::cdev:vxfs:
```

Displaying Quick I/O status and file attributes

You can obtain and display information about Quick I/O status and file attributes using various options of the `ls` command:

- al** Lists all files on a file system, including Quick I/O files and their links.
- 1L** Shows if Quick I/O was successfully installed and enabled.
- a1L** Shows how a Quick I/O file name is resolved to that of a raw device.

To list all files on the current file system, including Quick I/O files and their links

- ◆ Use the `ls -al` command with the file names:

```
$ ls -al filename .filename
```

The following example shows how to use the `-a` option to display the absolute path name created using `qiomkfile`:

```
$ ls -al d* .d*
```

Sybase example:

```
-rw-r--r--  1 sybase  sybase  104890368  Oct 2 13:42  .dbfile
lrwxrwxrwx  1 sybase  sybase    19      Oct 2 13:42  dbfile ->
               .dbfile::cdev:vxfs:
```

To determine if a Sybase segment has been converted to Quick I/O

- ◆ Use the `ls` command as follows:

```
$ ls -lL filename
```

The following example shows how to determine if Quick I/O is installed and enabled:

```
$ ls -lL dbfile
```

```
crw-r--r--  1 sybase  dba  45, 1  Oct 2 13:42  dbfile
```

To show a Quick I/O file resolved to a raw device

- ◆ Use the `ls` command with the file names as follows:

```
$ ls -alL filename .filename
```

The following example shows how the Quick I/O file name `dbfile` is resolved to that of a raw device:

```
$ ls -alL d* .d*
```

Sybase:

```
crw-r--r--  1 sybase  sybase  45, 1      Oct 2 13:42  dbfile
-rw-r--r--  1 sybase  sybase  104890368  Oct 2 13:42  .dbfile
```

Extending a Quick I/O file in a Sybase environment

Although Quick I/O files must be preallocated, they are not limited to the preallocated sizes. You can grow or “extend” a Quick I/O file by a specific amount or to a specific size, using options to the `qiomkfile` command. Extending Quick I/O files is a fast, online operation and offers a significant advantage over using raw devices.

Before extending a Quick I/O file, make sure the following conditions have been met:

- | | |
|---------------|---|
| Prerequisites | ■ You must have sufficient space on the file system to extend the Quick I/O file. |
| Usage notes | <ul style="list-style-type: none">■ You can also grow VxFS file systems online (provided the underlying disk or volume can be extended) using the <code>fsadm</code> command. You can expand the underlying volume and the filesystem with the <code>vxresize</code> command.■ You must have superuser (<code>root</code>) privileges to resize VxFS file systems using the <code>fsadm</code> command.■ For Sybase: although you have the ability to extend a Quick I/O file, you cannot resize a database device in Sybase once it is initialized. However, with the ability to grow the volumes and file systems online, you can easily allocate new database devices to be used for new segments and to extend existing segments.■ See the <code>fsadm_vxfs(1M)</code> and <code>qiomkfile(1M)</code> manual pages for more information. |

The following options are available with the `qiomkfile` command:

- | | |
|-----------------|---|
| <code>-e</code> | Extends the file by a specified amount to allow resizing. |
| <code>-r</code> | Increases the file to a specified size to allow resizing. |

To extend a Quick I/O file

- 1 If required, ensure the underlying storage device is large enough to contain a larger VxFS file system (see the `vxassist(1M)` manual page for more information), and resize the VxFS file system using `fsadm` command:

Sybase example:

```
# /opt/VRTS/bin/fsadm -b newsize /mount_point
```

where:

- `-b` is the option for changing size

- *newsiz*e is the new size of the file system in bytes, kilobytes, megabytes, blocks, or sectors
- *mount_point* is the file system's mount point

2 Extend the Quick I/O file using the `qiomkfile` command:

```
# /opt/VRTS/bin/qiomkfile -e extend_amount /mount_point/filename
```

or

```
# /opt/VRTS/bin/qiomkfile -r newsiz /mount_point/filename
```

Example for growing a VxFS file system:

/db01 to 500MB and extend the `tbs1_cont001` Quick I/O file by 20MB:

```
# /opt/VRTS/bin/qiomkfile -e 20M /db01/tbs1_cont001
```

```
# /opt/VRTS/bin/fsadm -b 500M /db01
```

Example for growing a VxFS file system for Sybase:

/db01 to 500MB and resize the `dbfile` Quick I/O file to 300MB:

```
# /opt/VRTS/bin/fsadm -b 500M /db01
```

```
# /opt/VRTS/bin/qiomkfile -r 300M /db01/dbfile
```

Disabling Quick I/O

Before disabling Quick I/O, make sure the following condition has been met:

Prerequisite The file system you are planning to remount must be located in the `/etc/vfstab` file.

If you need to disable the Quick I/O feature, you first need to convert any Quick I/O files back to regular VxFS files. Then, remount the VxFS file system using a special mount option.

To disable Quick I/O for Sybase

- 1 If the database is running, shut it down.
- 2 To remount the file system with Quick I/O disabled, use the `mount -o noqio` command as follows:

```
# /opt/VRTS/bin/mount -F vxfs -o remount,noqio /mount_point
```


Improving database performance with Veritas Cached Quick I/O

This chapter includes the following topics:

- [About Cached Quick I/O](#)
- [Tasks for setting up Cached Quick I/O](#)
- [Enabling Cached Quick I/O on a file system](#)
- [Determining candidates for Cached Quick I/O](#)
- [Enabling and disabling Cached Quick I/O for individual files](#)

About Cached Quick I/O

Veritas Cached Quick I/O maintains and extends the database performance benefits of Veritas Quick I/O by making more efficient use of large, unused system memory through a selective buffering mechanism. Cached Quick I/O also supports features that support buffering behavior, such as file system read-ahead.

Enabling Cached Quick I/O on suitable Quick I/O files improves database performance by using the file system buffer cache to store data. This data storage speeds up system reads by accessing the system buffer cache and avoiding disk I/O when searching for information.

Having data at the cache level improves database performance in the following ways:

- For read operations, Cached Quick I/O caches database blocks in the system buffer cache, which can reduce the number of physical I/O operations and therefore improve read performance.
- For write operations, Cached Quick I/O uses a direct-write, copy-behind technique to preserve its buffer copy of the data. After the direct I/O is scheduled and while it is waiting for the completion of the I/O, the file system updates its buffer to reflect the changed data being written out. For online transaction processing, Cached Quick I/O achieves better than raw device performance in database throughput on large platforms with very large physical memories.
- For sequential table scans, Cached Quick I/O can significantly reduce the query response time because of the read-ahead algorithm used by Veritas File System. If a user needs to read the same range in the file while the data is still in cache, the system is likely to return an immediate cache hit rather than scan for data on the disk.

Tasks for setting up Cached Quick I/O

To set up and use Cached Quick I/O, you should do the following in the order in which they are listed:

- Enable Cached Quick I/O on the underlying file systems used for your database.
- Exercise the system in your production environment to generate file I/O statistics.
- Collect the file I/O statistics while the files are in use.
- Analyze the file I/O statistics to determine which files benefit from Cached Quick I/O.
- Disable Cached Quick I/O on files that do not benefit from caching.

Enabling Cached Quick I/O on a file system

Cached Quick I/O depends on Veritas Quick I/O running as an underlying system enhancement in order to function correctly. Follow the procedures listed here to ensure that you have the correct setup to use Cached Quick I/O successfully.

Prerequisites

- You must have permission to change file system behavior using the `vxtunefs` command to enable or disable Cached Quick I/O. By default, you need superuser (`root`) permissions to run the `vxtunefs` command, but other system users do not.
- You must enable Quick I/O on the file system. Quick I/O is enabled automatically at file system mount time.

If you have correctly enabled Quick I/O on your system, you can proceed to enable Cached Quick I/O as follows:

- Set the file system Cached Quick I/O flag, which enables Cached Quick I/O for all files in the file system.
- Setting the file system Cached Quick I/O flag enables caching for all files in the file system. You must disable Cached Quick I/O on individual Quick I/O files that do not benefit from caching to avoid consuming memory unnecessarily. This final task occurs at the end of the enabling process.

Enabling and disabling the `qio_cache_enable` flag

As superuser (`root`), set the `qio_cache_enable` flag using the `vxtunefs` command after you mount the file system.

To enable the `qio_cache_enable` flag for a file system

- ◆ Use the `vxtunefs` command as follows:

```
# /opt/VRTS/bin/vxtunefs -s -o qio_cache_enable=1 /mount_point
```

For example:

```
# /opt/VRTS/bin/vxtunefs -s -o qio_cache_enable=1 /db02
```

where `/db02` is a VxFS file system containing the Quick I/O files and setting the `qio_cache_enable` flag to “1” enables Cached Quick I/O. This command enables caching for all the Quick I/O files on this file system.

To disable the flag on the same file system

- ◆ Use the `vxtunefs` command as follows:

```
# /opt/VRTS/bin/vxtunefs -s -o qio_cache_enable=0 /mount_point
```

For example:

```
# /opt/VRTS/bin/vxtunefs -s -o qio_cache_enable=0 /db02
```

where `/db02` is a VxFS file system containing the Quick I/O files and setting the `qio_cache_enable` flag to “0” disables Cached Quick I/O. This command disables caching for all the Quick I/O files on this file system.

Making Cached Quick I/O settings persistent across reboots and mounts

You can make the Cached Quick I/O system setting persistent across reboots and mounts by adding a file system entry in the `/etc/vx/tunefstab` file.

Note: The `tunefstab` file is a user-created file. For information on how to create the file and add tuning parameters, see the `tunefstab (4)` manual page.

To enable a file system after rebooting

- ◆ Put the file system in the `/etc/vx/tunefstab` file and set the flag entry:

```
/dev/vx/dsk/dgname/volname qio_cache_enable=1
```

where:

- `/dev/vx/dsk/dgname/volname` is the name of a block device
- `dgname` is the name of the disk group
- `volname` is the name of the volume

For example:

```
/dev/vx/dsk/PRODDg/db01 qio_cache_enable=1  
/dev/vx/dsk/PRODDg/db02 qio_cache_enable=1
```

where `/dev/vx/dsk/PRODDg/db01` is the block device on which the file system resides.

The `tunefstab (4)` manual pages contain information on how to add tuning parameters.

See the `tunefstab (4)` manual page.

Note: `vxtunefs` can specify a mount point or a block device; `tunefstab` must always specify a block device only.

Using `vxtunefs` to obtain tuning information

Check the setting of the `qio_cache_enable` flag for each file system using the `vxtunefs` command.

To obtain information on only the `qio_cache_enable` flag setting

- ◆ Use the `grep` command with `vxtunefs`:

```
# /opt/VRTS/bin/vxtunefs /mount_point | grep qio_cache_enable
```

For example:

```
# /opt/VRTS/bin/vxtunefs /db01 | grep qio_cache_enable
```

where `/db01` is the name of the file system. This command displays only the `qio_cache_enable` setting as follows:

```
qio_cache_enable = 0
```

You can also use the `vxtunefs` command to obtain a more complete list of I/O characteristics and tuning statistics.

See the `vxtunefs (1)` manual page.

To obtain information on all `vxtunefs` system parameters

- ◆ Use the `vxtunefs` command without `grep`:

```
# /opt/VRTS/bin/vxtunefs /mount_point
```

For example:

```
# /opt/VRTS/bin/vxtunefs /db01
```

The `vxtunefs` command displays output similar to the following:

```
Filesystem i/o parameters for /db01
read_pref_io = 65536
read_nstream = 1
read_unit_io = 65536
write_pref_io = 65536
write_nstream = 1
write_unit_io = 65536
```

```
pref_strength = 10
buf_breakup_size = 131072
discovered_direct_iosz = 262144
max_direct_iosz = 1048576
default_indir_size = 8192
qio_cache_enable = 0
odm_cache_enable = 0
write_throttle = 0
max_diskq = 1048576
initial_extent_size = 1
max_seqio_extent_size = 2048
max_buf_data_size = 8192
hsm_write_prealloc = 0
read_ahead = 1
inode_aging_size = 0
inode_aging_count = 0
fcl_maxalloc = 887660544
fcl_keeptime = 0
fcl_winterval = 3600
fcl_ointerval = 600
oltp_load = 0
delicache_enable = 1
thin_friendly_alloc = 0
dalloc_enable = 1
dalloc_limit = 90
```

The `vxtunefs(1)` manual pages contain a complete description of `vxtunefs` parameters and the tuning instructions.

See the `vxtunefs(1)` manual page.

Determining candidates for Cached Quick I/O

Determining which files can benefit from Cached Quick I/O is an iterative process that varies with each application. For this reason, you may need to complete the following steps more than once to determine the best possible candidates for Cached Quick I/O.

Before determining candidate files for Quick I/O, make sure the following conditions have been met:

- Prerequisites
 - You must enable Cached Quick I/O for the file systems.
- Usage notes
 - See the `qiostat (1M)` manual page for more information.

Collecting I/O statistics

Once you have enabled Cached Quick I/O on a file system, you need to collect statistics to determine and designate the files that can best take advantage of its benefits.

To collect statistics needed to determine files that benefit from Cached Quick I/O

- 1 Reset the `qiostat` counters by entering:

```
$ /opt/VRTS/bin/qiostat -r /mount_point/filenames
```

- 2 Run the database under full normal load and through a complete cycle (24 to 48 hours in most cases) to determine your system I/O patterns and database traffic in different usage categories (for example, OLTP, reports, and backups) at different times of the day.

- 3 While the database is running, run `qiostat -l` to report the caching statistics as follows:

```
$ /opt/VRTS/bin/qiostat -l /mount_point/filenames
```

or, use the `-i` option to see statistic reports at specified intervals:

```
$ /opt/VRTS/bin/qiostat -i n /mount_point/filenames
```

where `n` is time in seconds

For example:

To collect I/O statistics from all database files on file system :

```
$ /opt/VRTS/bin/qiostat -l /db01/*.dbf
```

About I/O statistics

The output of the `qiostat` command is the primary source of information to use in deciding whether to enable or disable Cached Quick I/O on specific files. Statistics are printed in two lines per object.

The second line of information is defined as follows:

- `CREAD` is the number of reads from the VxFS cache (or total number of reads to Quick I/O files with cache advisory on)
- `PREAD` is the number of reads going to the disk for Quick I/O files with the cache advisory on

- **HIT RATIO** is displayed as a percentage and is the number of `CREADS` minus the number of `PREADS` times 100 divided by the total number of `CREADS`. The formula looks like this:

$$(\text{CREADS} - \text{PREADS}) * 100 / \text{CREADS}$$

The `qiostat -l` command output looks similar to the following:

```
/db01/sysprocs.dbf 17128 9634 68509 38536 24.8 0.4
17124 15728 8.2

/db1/master.dbf 6 1 21 4 10.0 0.0
6 6 0.0

/db01/user.dbf 62552 38498 250213 153992 21.9 0.4
62567 49060 21.6
```

Analyze the output to find out where the cache-hit ratio is above a given threshold. A cache-hit ratio above 20 percent on a file for a given application may be sufficient to justify caching on that file. For systems with larger loads, the acceptable ratio may be 30 percent or above. Cache-hit-ratio thresholds vary according to the database type and load.

Using the sample output above as an example, the file `/db01/master.dbf` does not benefit from the caching because the cache-hit ratio is zero. In addition, the file receives very little I/O during the sampling duration.

However, the file `/db01/user.dbf` has a cache-hit ratio of 21.6 percent. If you have determined that, for your system and load, this figure is above the acceptable threshold, it means the database can benefit from caching. Also, study the numbers reported for the read and write operations. When you compare the number of reads and writes for the `/db01/user.dbf` file, you see that the number of reads is roughly twice the number of writes. You can achieve the greatest performance gains with Cached Quick I/O when using it for files that have higher read than write activity.

Based on these two factors, `/db01/user.dbf` is a prime candidate for Cached Quick I/O.

Effects of read-aheads on I/O statistics

The number of `CREADS` in the `qiostat` output is the total number of reads performed, including Cached Quick I/O, and the number of `PREADS` is the number of physical reads. The difference between `CREADS` and `PREADS` (`CREADS - PREADS`) is the number of reads satisfied from the data in the file system cache. Thus, you

expect that the number of `PREADS` would always be equal to or lower than the number of `CREADS`.

However, the `PREADS` counter also increases when the file system performs read-aheads. These read-aheads occur when the file system detects sequential reads. In isolated cases where cache hits are extremely low, the output from `qiostat` could show that the number of `CREADS` is lower than the number of `PREADS`. The cache-hit ratio calculated against these `CREAD/PREAD` values is misleading when used to determine whether Cached Quick I/O should be enabled or disabled.

For Sybase, you can make a more accurate decision based on a collective set of statistics by gathering multiple sets of data points. Consequently, you might want to enable Cached Quick I/O for all the data files in a given tablespace, even if just one of the files exhibited a high cache-hit ratio.

Other tools for analysis

While the output of the `qiostat` command is the primary source of information to use in deciding whether to enable Cached Quick I/O on specific files, we also recommend using other tools in conjunction with `qiostat`. For example, benchmarking software that measures database throughput is also helpful. If a benchmark test in which Cached Quick I/O was enabled for a certain set of data files resulted in improved performance, you can also use those results as the basis for enabling Cached Quick I/O.

Enabling and disabling Cached Quick I/O for individual files

After using `qiostat` or other analysis tools to determine the appropriate files for Cached Quick I/O, you need to disable Cached Quick I/O for those individual files that do not benefit from caching using the `qioadmin` command.

- | | |
|---------------|---|
| Prerequisites | <ul style="list-style-type: none">■ Enable Cached Quick I/O for the file system before enabling or disabling Cached Quick I/O at the individual file level. |
| Usage notes | <ul style="list-style-type: none">■ You can enable or disable Cached Quick I/O for individual files while the database is online.■ You should monitor files regularly using <code>qiostat</code> to ensure that a file's cache-hit ratio has not changed enough to reconsider enabling or disabling Cached Quick I/O for the file.■ Enabling or disabling Cached Quick I/O for an individual file is also referred to as setting the cache advisory on or off.■ See the <code>qioadmin (1)</code> manual page. |

Setting cache advisories for individual files

You can enable and disable Cached Quick I/O for individual files by changing the cache advisory settings for those files.

To disable Cached Quick I/O for an individual file

- ◆ Use the `qioadmin` command to set the cache advisory to `OFF` as follows:

```
$ /opt/VRTS/bin/qioadmin -S filename=OFF /mount_point
```

For example for Sybase, to disable Cached Quick I/O for the file `/db01/master.dbf`, set the cache advisory to `OFF`:

```
$ /opt/VRTS/bin/qioadmin -S master.dbf=OFF /db01
```

To enable Cached Quick I/O for an individual file

- ◆ Use the `qioadmin` command to set the cache advisory to `ON` as follows:

```
$ /opt/VRTS/bin/qioadmin -S filename=ON /mount_point
```

For example for Sybase, running `qiostat` shows the cache hit ratio for the file `/db01/master.dbf` reaches a level that would benefit from caching. To enable Cached Quick I/O for the file `/db01/master.dbf`, set the cache advisory to `ON`:

```
$ /opt/VRTS/bin/qioadmin -S master/dbf=ON /db01
```

Making individual file settings for Cached Quick I/O persistent

You can make the enable or disable individual file settings for Cached Quick I/O persistent across reboots and mounts by adding cache advisory entries in the `/etc/vx/qioadmin` file.

Cache advisories set using the `qioadmin` command are stored as extended attributes of the file in the inode. These settings persist across file system remounts and system reboots, but these attributes are not backed up by the usual backup methods, so they cannot be restored. Therefore, always be sure to reset cache advisories after each file restore. This is not necessary if you maintain the cache advisories for Quick I/O files in the `/etc/vx/qioadmin` file.

To enable or disable individual file settings for Cached Quick I/O automatically after a reboot or mount

- ◆ Add cache advisory entries in the `/etc/vx/qioadmin` file as follows:

```
device=/dev/vx/dsk/<diskgroup>/<volume>

filename1,OFF

filename2,OFF

filename3,OFF

filename4,ON
```

For example, to make the Cached Quick I/O settings for individual files in the `/db01` file system persistent, edit the `/etc/vx/qioadmin` file similar to the following:

```
#
# List of files to cache in /db01 file system
#
device=/dev/vx/dsk/PRODDg/db01
```

For Sybase

```
user.dbf,ON
sysprocs.dbf,OFF
master.dbf,OFF
```

Determining individual file settings for Cached Quick I/O using `qioadmin`

You can determine whether Cached Quick I/O is enabled or disabled for individual files by displaying the file's cache advisory setting using the `qioadmin` command.

Note: To verify caching, always check the setting of the flag `qio_cache_enable` using `vxtunefs`, along with the individual cache advisories for each file.

To display the current cache advisory settings for a file

- ◆ Use the `qioadmin` command with the `-P` option as follows:

```
$ /opt/VRTS/bin/qioadmin -P filename /mount_point
```

For example for Sybase, to display the current cache advisory setting for the file `sysprocs.dbf` in the `/db01` file system:

```
$ /opt/VRTS/bin/qioadmin -P sysprocs.dbf /db01
```

```
sysprocs.dbf,OFF
```


Improving database performance with Veritas Concurrent I/O

This chapter includes the following topics:

- [About Concurrent I/O](#)
- [Tasks for enabling and disabling Concurrent I/O](#)

About Concurrent I/O

Veritas Concurrent I/O improves the performance of regular files on a VxFS file system without the need for extending namespaces and presenting the files as devices. This simplifies administrative tasks and allows databases, which do not have a sequential read/write requirement, to access files concurrently. This chapter describes how to use the Concurrent I/O feature.

Quick I/O is an alternative solution for DMS tablespaces.

In some cases (for example, if the system has extra memory), Cached Quick I/O may further enhance performance.

See [“About Cached Quick I/O”](#) on page 45.

How Concurrent I/O works

Traditionally, UNIX semantics require that read and write operations on a file occur in a serialized order. Because of this, a file system must enforce strict ordering of overlapping read and write operations. However, databases do not

usually require this level of control and implement concurrency control internally, without using a file system for order enforcement.

The Veritas Concurrent I/O feature removes these semantics from the read and write operations for databases and other applications that do not require serialization.

The benefits of using Concurrent I/O are:

- Concurrency between a single writer and multiple readers
- Concurrency among multiple writers
- Minimalization of serialization for extending writes
- All I/Os are direct and do not use file system caching
- I/O requests are sent directly to file systems
- Inode locking is avoided

Tasks for enabling and disabling Concurrent I/O

Concurrent I/O is not turned on by default and must be enabled manually. You will also have to manually disable Concurrent I/O if you choose not to use it in the future.

You can perform the following tasks:

- Enable Concurrent I/O
- Disable Concurrent I/O

Enabling Concurrent I/O for Sybase

Because you do not need to extend name spaces and present the files as devices, you can enable Concurrent I/O on regular files.

Before enabling Concurrent I/O, review the following:

- | | |
|---------------|---|
| Prerequisites | <ul style="list-style-type: none">■ To use the Concurrent I/O feature, the file system must be a VxFS file system.■ Make sure the mount point on which you plan to mount the file system exists.■ Make sure the DBA can access the mount point. |
|---------------|---|

To enable Concurrent I/O on a file system using mount with the `-o cio` option

- ◆ Mount the file system using the `mount` command as follows:

```
# /usr/sbin/mount -F vxfs -o cio special /mount_point
```

where:

- *special* is a block special device.
- */mount_point* is the directory where the file system will be mounted.

For example for Sybase, to mount a file system named `/datavol` on a mount point named `/sybasedata`:

```
# /usr/sbin/mount -F vxfs -o cio /dev/vx/dsk/sybasedg/datavol \  
/sybasedata
```

The following is an example of mounting a directory (where the new SMS containers are located) to use Concurrent I/O.

To mount an SMS container named `/container1` on a mount point named `/mysms`:

```
# /usr/sbin/mount -Vt namefs -o cio /datavol/mysms/container1 /mysms
```

Disabling Concurrent I/O for Sybase

If you need to disable Concurrent I/O, unmount the VxFS file system and mount it again without the mount option.

To disable Concurrent I/O on a file system using the mount command

- 1 Shutdown the Sybase instance.
- 2 Unmount the file system using the `umount` command.
- 3 Mount the file system again using the `mount` command without using the `-o cio` option.

Using point-in-time copies

- [Chapter 6. Understanding point-in-time copy methods](#)
- [Chapter 7. Backing up and recovering](#)
- [Chapter 8. Backing up and recovering in a NetBackup environment](#)
- [Chapter 9. Off-host processing](#)
- [Chapter 10. Creating and refreshing test environments](#)
- [Chapter 11. Creating point-in-time copies of files](#)

Understanding point-in-time copy methods

This chapter includes the following topics:

- [About point-in-time copies](#)
- [When to use point-in-time copies](#)
- [About Storage Foundation point-in-time copy technologies](#)

About point-in-time copies

Veritas Storage Foundation offers a flexible and efficient means of managing business-critical data. Storage Foundation lets you capture an online image of an actively changing database at a given instant, called a point-in-time copy.

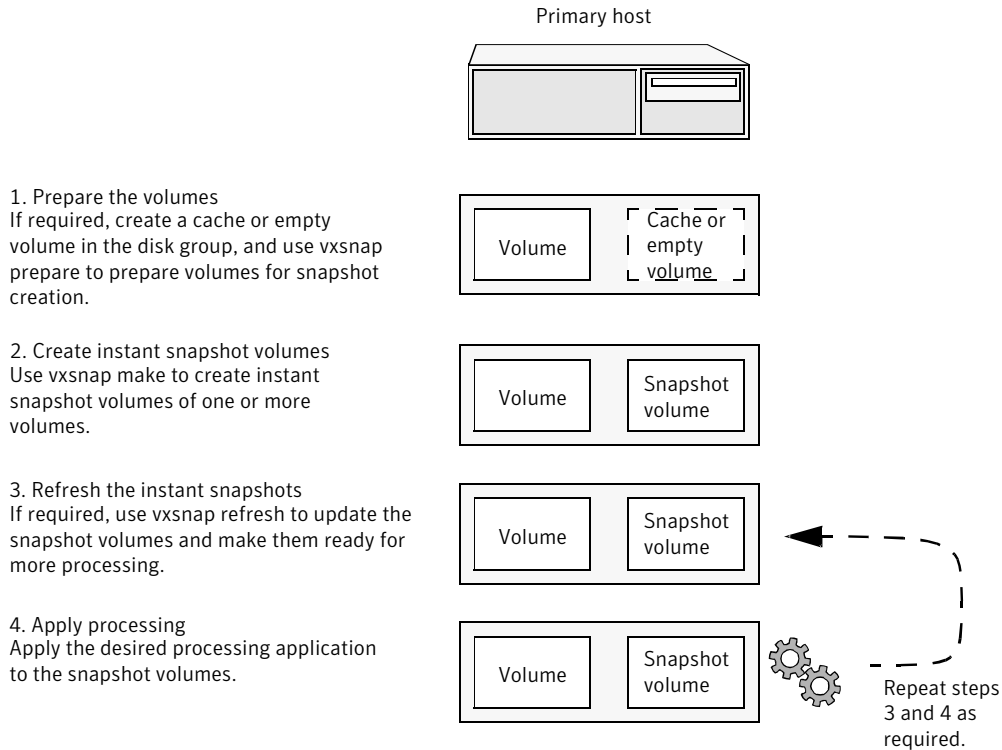
More and more, the expectation is that the data must be continuously available (24x7) for transaction processing, decision making, intellectual property creation, and so forth. Protecting the data from loss or destruction is also increasingly important. Formerly, data was taken out of service so that the data did not change while data backups occurred; however, this option does not meet the need for minimal down time.

A point-in-time copy enables you to maximize the online availability of the data. You can perform system backup, upgrade, or perform other maintenance tasks on the point-in-time copies. The point-in-time copies can be processed on the same host as the active data, or a different host. If required, you can offload processing of the point-in-time copies onto another host to avoid contention for system resources on your production server. This method is called off-host processing. If implemented correctly, off-host processing solutions have almost no impact on the performance of the primary production system.

Implementing point-in-time copy solutions on a primary host

Figure 6-1 illustrates the steps that are needed to set up the processing solution on the primary host.

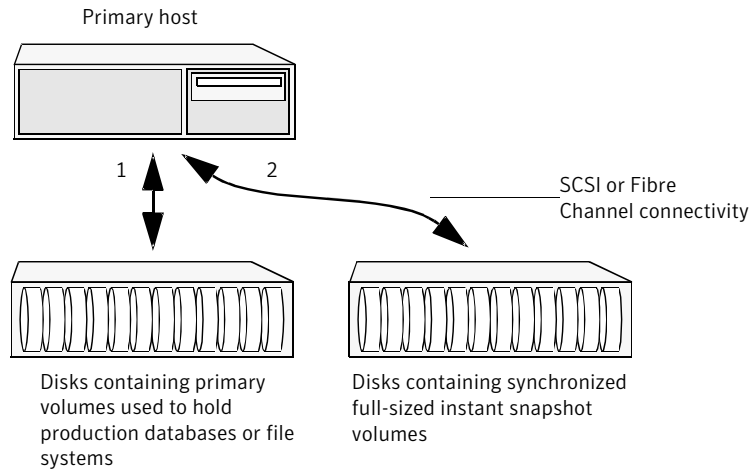
Figure 6-1 Using snapshots and FastResync to implement point-in-time copy solutions on a primary host



Note: The Disk Group Split/Join functionality is not used. As all processing takes place in the same disk group, synchronization of the contents of the snapshots from the original volumes is not usually required unless you want to prevent disk contention. Snapshot creation and updating are practically instantaneous.

Figure 6-2 shows the suggested arrangement for implementing solutions where the primary host is used and disk contention is to be avoided.

Figure 6-2 Example point-in-time copy solution on a primary host



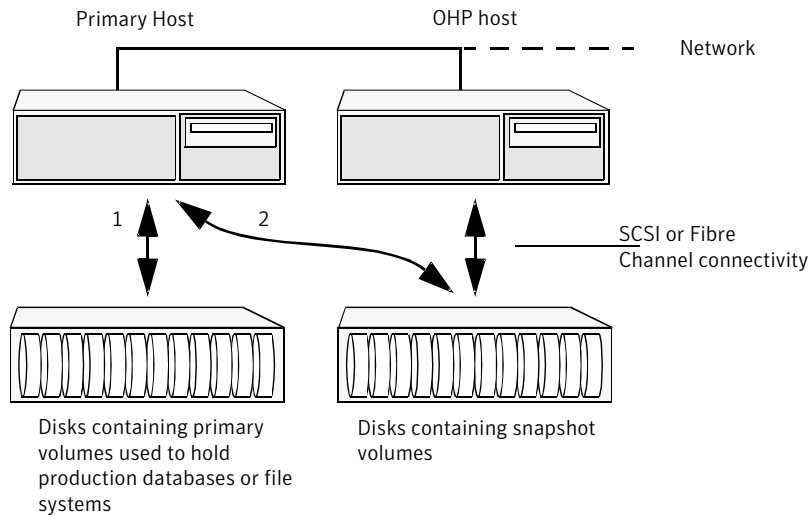
In this setup, it is recommended that separate paths (shown as 1 and 2) from separate controllers be configured to the disks containing the primary volumes and the snapshot volumes. This avoids contention for disk access, but the primary host's CPU, memory and I/O resources are more heavily utilized when the processing application is run.

Note: For space-optimized or unsynchronized full-sized instant snapshots, it is not possible to isolate the I/O pathways in this way. This is because such snapshots only contain the contents of changed regions from the original volume. If applications access data that remains in unchanged regions, this is read from the original volume.

Implementing off-host point-in-time copy solutions

Figure 6-3 illustrates that, by accessing snapshot volumes from a lightly loaded host (shown here as the OHP host), CPU- and I/O-intensive operations for online backup and decision support are prevented from degrading the performance of the primary host that is performing the main production activity (such as running a database).

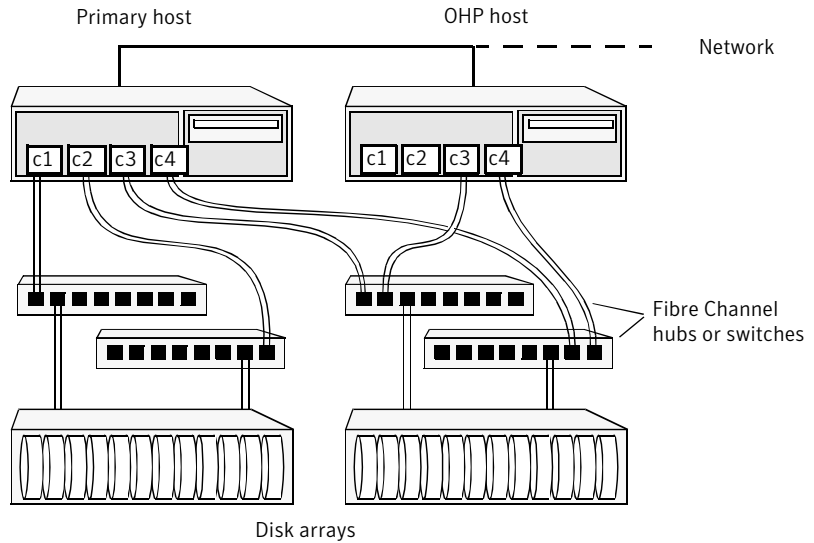
Figure 6-3 Example implementation of an off-host point-in-time copy solution



Also, if you place the snapshot volumes on disks that are attached to host controllers other than those for the disks in the primary volumes, it is possible to avoid contending with the primary host for I/O resources. To implement this, paths 1 and 2 shown in the [Figure 6-3](#) should be connected to different controllers.

[Figure 6-4](#) shows an example of how you might achieve such connectivity using Fibre Channel technology with 4 Fibre Channel controllers in the primary host.

Figure 6-4 Example connectivity for off-host solution using redundant-loop access



This layout uses redundant-loop access to deal with the potential failure of any single component in the path between a system and a disk array.

Note: On some operating systems, controller names may differ from what is shown here.

[Figure 6-5](#) shows how off-host processing might be implemented in a cluster by configuring one of the cluster nodes as the OHP node.

Figure 6-5 Example implementation of an off-host point-in-time copy solution using a cluster node

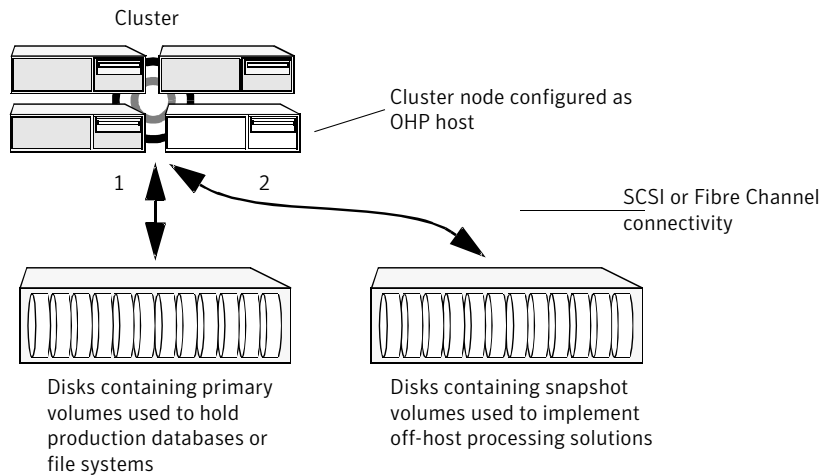
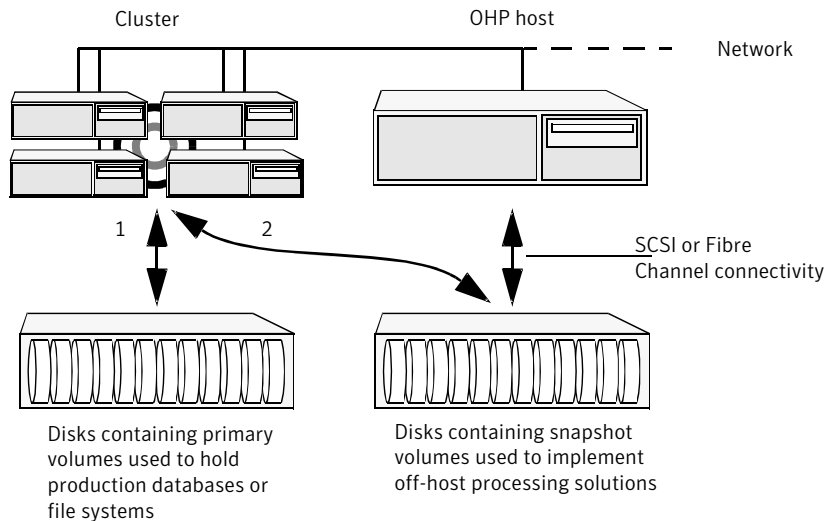


Figure 6-6 shows an alternative arrangement, where the OHP node could be a separate system that has a network connection to the cluster, but which is not a cluster node and is not connected to the cluster's private network.

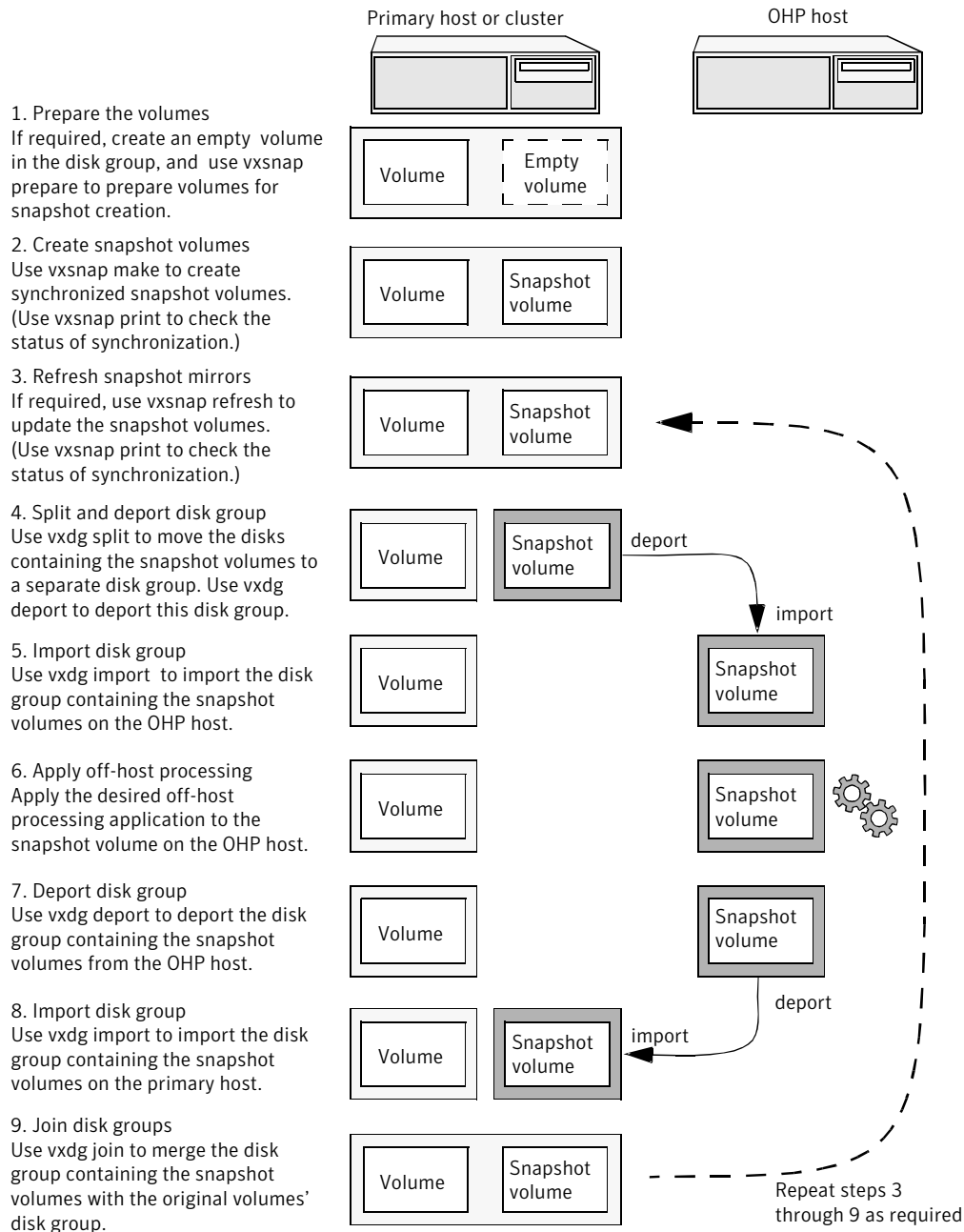
Figure 6-6 Example implementation of an off-host point-in-time copy solution using a separate OHP host



Note: For off-host processing, the example scenarios in this document assume that a separate OHP host is dedicated to the backup or decision support role. For clusters, it may be simpler, and more efficient, to configure an OHP host that is not a member of the cluster.

[Figure 6-7](#) illustrates the steps that are needed to set up the processing solution on the primary host.

Figure 6-7 Implementing off-host processing solutions



Disk Group Split/Join is used to split off snapshot volumes into a separate disk group that is imported on the OHP host.

Note: As the snapshot volumes are to be moved into another disk group and then imported on another host, their contents must first be synchronized with the parent volumes. On reimporting the snapshot volumes, refreshing their contents from the original volume is speeded by using FastResync.

When to use point-in-time copies

The following typical activities are suitable for point-in-time copy solutions implemented using Veritas FlashSnap:

- Data backup –Many enterprises require 24 x 7 data availability. They cannot afford the downtime involved in backing up critical data offline. By taking snapshots of your data, and backing up from these snapshots, your business-critical applications can continue to run without extended downtime or impacted performance.
- Providing data continuity –To provide continuity of service in the event of primary storage failure, you can use point-in-time copy solutions to recover application data. In the event of server failure, you can use point-in-time copy solutions in conjunction with the high availability cluster functionality of Veritas Storage Foundation™ for Cluster File System HA or Veritas Storage Foundation HA.
- Decision support analysis and reporting—Operations such as decision support analysis and business reporting may not require access to real-time information. You can direct such operations to use a replica database that you have created from snapshots, rather than allow them to compete for access to the primary database. When required, you can quickly resynchronize the database copy with the data in the primary database.
- Testing and training—Development or service groups can use snapshots as test data for new applications. Snapshot data provides developers, system testers and QA groups with a realistic basis for testing the robustness, integrity and performance of new applications.
- Database error recovery—Logic errors caused by an administrator or an application program can compromise the integrity of a database. You can recover a database more quickly by restoring the database files by using Storage Checkpoints or a snapshot copy than by full restoration from tape or other backup media.

Use Storage Checkpoints to quickly roll back a database instance to an earlier point in time.

- Cloning data—You can clone your file system or application data. This functionality enable you to quickly and efficiently provision virtual desktops.

All of the snapshot solutions mentioned above are also available on the disaster recovery site, in conjunction with Veritas Volume Replicator.

For more information about snapshots with replication, see the *Veritas Storage Foundation and High Availability Solutions Replication Administrator's Guide*.

Veritas Storage Foundation provides several point-in-time copy solutions that support your needs, including the following use cases:

- Creating a replica database for decision support.
See [“Using a replica database for decision support”](#) on page 122.
- Backing up and recovering a database with snapshots.
See [“Online database backups”](#) on page 83.
- Backing up and recovering an off-host cluster file system
See [“Backing up on an off-host cluster file system”](#) on page 100.
- Backing up and recovering an online database.
See [“Database recovery using Storage Checkpoints”](#) on page 110.

About Storage Foundation point-in-time copy technologies

This topic introduces the point-in-time copy solutions that you can implement using the Veritas FlashSnap™ technology. Veritas FlashSnap technology requires a license.

Veritas FlashSnap offers a flexible and efficient means of managing business critical data. It allows you to capture an online image of actively changing data at a given instant: a point-in-time copy. You can perform system backup, upgrade and other maintenance tasks on point-in-time copies while providing continuous availability of your critical data. If required, you can offload processing of the point-in-time copies onto another host to avoid contention for system resources on your production server.

The following kinds of point-in-time copy solution are supported by the FlashSnap license:

- Volume-level solutions. There are several types of volume-level snapshots. These features are suitable for solutions where separate storage is desirable

to create the snapshot. For example, lower-tier storage. Some of these techniques provided exceptional offhost processing capabilities.

- File system-level solutions use the Storage Checkpoint feature of Veritas File System. Storage Checkpoints are suitable for implementing solutions where storage space is critical for:
 - File systems that contain a small number of mostly large files.
 - Application workloads that change a relatively small proportion of file system data blocks (for example, web server content and some databases).
 - Applications where multiple writable copies of a file system are required for testing or versioning.
- See “[Storage Checkpoints](#)” on page 74.
- File level snapshots.
The FileSnap feature provides snapshots at the level of individual files.

Volume-level snapshots

A volume snapshot is an image of a Veritas Volume Manager (VxVM) volume at a given point in time. You can also take a snapshot of a volume set.

Volume snapshots allow you to make backup copies of your volumes online with minimal interruption to users. You can then use the backup copies to restore data that has been lost due to disk failure, software errors or human mistakes, or to create replica volumes for the purposes of report generation, application development, or testing.

Volume snapshots can also be used to implement off-host online backup.

Physically, a snapshot may be a full (complete bit-for-bit) copy of the data set, or it may contain only those elements of the data set that have been updated since snapshot creation. The latter are sometimes referred to as allocate-on-first-write snapshots, because space for data elements is added to the snapshot image only when the elements are updated (overwritten) for the first time in the original data set. Storage Foundation allocate-on-first-write snapshots are called space-optimized snapshots.

Persistent FastResync of volume snapshots

If persistent FastResync is enabled on a volume, VxVM uses a FastResync map to keep track of which blocks are updated in the volume and in the snapshot.

When snapshot volumes are reattached to their original volumes, persistent FastResync allows the snapshot data to be quickly refreshed and re-used. Persistent FastResync uses disk storage to ensure that FastResync maps survive both system

and cluster crashes. If persistent FastResync is enabled on a volume in a private disk group, incremental resynchronization can take place even if the host is rebooted.

Persistent FastResync can track the association between volumes and their snapshot volumes after they are moved into different disk groups. After the disk groups are rejoined, persistent FastResync allows the snapshot plexes to be quickly resynchronized.

Data integrity in volume snapshots

A volume snapshot captures the data that exists in a volume at a given point in time. As such, VxVM does not have any knowledge of data that is cached in memory by the overlying file system, or by applications such as databases that have files open in the file system. Snapshots are always crash consistent, that is, the snapshot can be put to use by letting the application perform its recovery. This is similar to how the application recovery occurs after a server crash. If the `fsgen` volume usage type is set on a volume that contains a mounted Veritas File System (VxFS), VxVM coordinates with VxFS to flush data that is in the cache to the volume. Therefore, these snapshots are always VxFS consistent and require no VxFS recovery while mounting.

For databases, a suitable mechanism must additionally be used to ensure the integrity of tablespace data when the volume snapshot is taken. The facility to temporarily suspend file system I/O is provided by most modern database software. The examples provided in this document illustrate how to perform this operation. For ordinary files in a file system, which may be open to a wide variety of different applications, there may be no way to ensure the complete integrity of the file data other than by shutting down the applications and temporarily unmounting the file system. In many cases, it may only be important to ensure the integrity of file data that is not in active use at the time that you take the snapshot. However, in all scenarios where application coordinate, snapshots are crash-recoverable.

Storage Checkpoints

A Storage Checkpoint is a persistent image of a file system at a given instance in time. Storage Checkpoints use a copy-on-write technique to reduce I/O overhead by identifying and maintaining only those file system blocks that have changed since a previous Storage Checkpoint was taken. Storage Checkpoints have the following important features:

- Storage Checkpoints persist across system reboots and crashes.
- A Storage Checkpoint can preserve not only file system metadata and the directory hierarchy of the file system, but also user data as it existed when the Storage Checkpoint was taken.

- After creating a Storage Checkpoint of a mounted file system, you can continue to create, remove, and update files on the file system without affecting the image of the Storage Checkpoint.
- Unlike file system snapshots, Storage Checkpoints are writable.
- To minimize disk space usage, Storage Checkpoints use free space in the file system.

Storage Checkpoints and the Storage Rollback feature of Veritas Storage Foundation for Databases enable rapid recovery of databases from logical errors such as database corruption, missing files and dropped table spaces. You can mount successive Storage Checkpoints of a database to locate the error, and then roll back the database to a Storage Checkpoint before the problem occurred.

See [“Database recovery using Storage Checkpoints”](#) on page 110.

Symantec NetBackup for Oracle Advanced BLI Agent uses Storage Checkpoints to enhance the speed of backing up Oracle databases.

See the *Symantec NetBackup for Oracle Advanced BLI Agent System Administrator's Guide*.

Backing up and recovering

This chapter includes the following topics:

- [Storage Foundation and High Availability Solutions backup and recovery methods](#)
- [Preserving multiple point-in-time copies](#)
- [Online database backups](#)
- [Backing up on an off-host cluster file system](#)
- [Database recovery using Storage Checkpoints](#)

Storage Foundation and High Availability Solutions backup and recovery methods

Storage Foundation and High Availability Solutions (SFHA Solutions) provide point-in-time copy methods which can be applied to multiple database backup use cases.

Examples are provided for the following use cases:

- Creating and maintaining a full image snapshot and incremental point-in-time copies
- Off-host database backup
- Online database backup
- Database recovery with Storage Checkpoints
- Backing up and restoring with NetBackup

For basic backup and recovery configuration information, see the *Veritas Storage Foundation Administrator's Guide*.

Preserving multiple point-in-time copies

On-disk snapshots are efficient when it comes to recovering a logically corrupted data. Storage Foundation and High Availability Solutions (SFHA Solutions) provide a cost effective and very efficient mechanism to manage multiple copies of production data at different points in time. With FlashSnap, you can create a solution to manage the whole lifecycle of snapshots for recovery from logical data corruption. You can create a series of point-in-time copies and preserve them for a specified time or a certain number of copies. You can use the preserved snapshot image itself for business continuity in case of primary storage failure or for off-host processing.

The following example procedures illustrate how to create a full image snapshot and periodic point-in-time copies for recovery. With multiple point-in-time copies to choose from, you can select the point-in-time to which you want to recover with relative precision.

Setting up multiple point-in-time copies

To set up the initial configuration for multiple point-in-time copies, set up storage for the point-in-time copies that will be configured over time.

In the example procedures, *disk1*, *disk2*, ..., *diskN* are the LUNs configured on tier 1 storage for application data. A subset of these LUNs *logdisk1*, *logdisk2*, ..., *logdiskN*, will be used to configure DCO. Disks *sdisk1*, *sdisk2*, ..., *sdiskN* are disks from tier 2 storage.

Note: If you have an enclosure or disk array with storage that is backed by write cache, Symantec recommends that you use the same set of LUNs for the DCO and for the data volume.

If no logdisks are specified by default, Veritas Volume Manager (VxVM) tries to allocate the DCO from the same LUNs used for the data volumes.

See [Figure 6-4](#) on page 67.

You will need to make sure your cache is big enough for the multiple copies with multiple changes. The following guidelines may be useful for estimating your requirements.

To determine your storage requirements, use the following:

Table 7-1 Storage requirements

S_p Represents the storage requirement for the primary volume

Table 7-1 Storage requirements (*continued*)

S_b	Represents the storage requirement for the primary break-off snapshot.
N_c	Represents the number of point-in-time copies to be maintained.
S_c	Represents the average size of the changes that occur in an interval before the snapshot is taken.
S_t	Represents the total storage requirement.

The total storage requirement for management of multiple point-in-time copies can be roughly calculated as:

$$S_b = S_p$$

$$S_t = S_b + N_c * S_c$$

To determine the size of the cache volume, use the following:

Table 7-2 Cache volume requirements

N_c	Represents the number of point-in-time copies to be maintained.
S_c	Represents the average size of the changes that occur in an interval .
R_c	Represents the region-size for cache-object.
S_t	Represents the total storage requirement.

The size of cache-volume to be configured can be calculated as:

$$N_c * S_c * R_c$$

This equation assumes that the application IO size granularity is smaller than cache-object region-size by factor of at most R_c

To configure the initial setup for multiple point-in-time copies

- 1 If the primary application storage is already configured for snapshots, that is, the DCO is already attached for the primary volume, go to step 2.

If not, configure the primary volumes and prepare them for snapshots.

For example:

```
# vxassist -g appdg make appvol 10T <disk1 disk2 ... diskN >  
# vxsnap -g appdg prepare appvol
```

- 2 Configure a snapshot volume to use as the primary, full-image snapshot of the primary volume. The snapshot volume can be allocated from tier 2 storage.

```
# vxassist -g appdg make snap-appvol 10T <sdisk1 sdisk2 ... sdiskN >  
# vxsnap -g appdg prepare snap-appvol \  
<alloc=slogdisk1, slogdisk2, ...slogdiskN>
```

- 3 Establish the relationship between the primary volume and the snapshot volume. Wait for synchronization of the snapshot to complete.

```
# vxsnap -g appdg make source=appvol/snapvol=snap-appvol/sync=yes  
# vxsnap -g appdg syncwait snap-appvol
```

- 4 Create a volume in the disk group to use for the cache volume. The cache volume is used for space-optimized point-in-time copies created at regular intervals. The cache volume can be allocated from tier 2 storage.

```
# vxassist -g appdg make cachevol 1G layout=mirror \  
init=active disk16 disk17
```

- 5 Configure a shared cache object on the cache volume.

```
# vxmake -g appdg cache snapcache cachevolname=cachevol
```

- 6 Start the cache object.

```
# vxcache -g appdg start snapcache
```

You now have an initial setup in place to create regular point-in-time copies.

Refreshing point-in-time copies

After configuring your volumes for snapshots, you can periodically invoke a script with steps similar to following to create point-in-time copies at regular intervals.

To identify snapshot age

- ◆ To find the oldest and the most recent snapshots, use the creation time of the snapshots. You can use either of the following commands:
 - Use the following command and find the SNAPDATE of snapshot volume.

```
# vxsnap -g appdg list appvol
```

- Use the following command:

```
# vxprint -g appdg -m snapshot_name | grep creation_time
```

where the *snapshot-name* is *appvol-snp*, *appvol-snp1* *appvol-snpN*.

To refresh the primary snapshot

- ◆ Refresh the primary snapshot from the primary volume.

```
# vxsnap -g appdg refresh snap-appvol source=appvol
```

To create cascaded snapshot of the refreshed snapshot volume

- ◆ Create a cascaded snapshot of the refreshed snapshot volume.

```
# vxsnap -g appdg make source=snap-appvol/new=sosnap-\  
appvol${NEW_SNAP_IDX}/cache=snapcache/infrontof=snap-appvol
```

To remove the oldest point-in-time copy

- ◆ If the limit on number of point-in-time copies is reached, remove the oldest point-in-time copy.

```
# vxedit -g appdg -rf rm sosnap-appvol${ OLDEST_SNAP_IDX }
```

Recovering from logical corruption

You can use the preserved snapshot image in case of primary storage corruption. You must identify the most recent snapshot that is not affected by the logical corruption.

To identify the most recent valid snapshot

- 1 For each snapshot, starting from the most recent to the oldest, verify the snapshot image. Create a space-optimized snapshot of the point-in-time copy to generate a synthetic replica of the point-in-time image.

```
# vxsnap -g appdg make source=sosnapappvol${  
CURIDX}/new=syn-appvol/cache=snapcache/sync=no
```

- 2 Mount the synthetic replica and verify the data.

If a synthetic replica is corrupted, proceed to 3.

When you identify a synthetic replica that is not corrupted, you can proceed to the recovery steps.

See “[To recover from logical corruption](#)” on page 82.

- 3 Unmount the synthetic replica, remove it and go back to verify the next most recent point-in-time copy. Use the following command to dissociate the synthetic replica and remove it:

```
# vxsnap -g appdg dis syn-appvol  
# vxedit -g appdg -rf rm syn-appvol
```

When you find the most recent uncorrupted snapshot, use it to restore the primary volume.

To recover from logical corruption

- 1 If the application is running on the primary volume, stop the application.
- 2 Unmount the application volume.
- 3 Restore the primary volume from the synthetic replica.

```
# vxsnap -g appdg restore appvol source=syn-appvol
```

- 4 Resume the application:
 - Mount the primary volume.
 - Verify the content of the primary volume.
 - Restart the application.

Off-host processing using refreshed snapshot images

Preserved point-in-time images can also be used to perform off-host processing. Using preserved point-in-time images for this purpose requires that the storage used for creating the snapshots must be:

- Accessible from the application host
- Accessible from the off-host processing host
- Split into a separate disk group

To split the snapshot storage into a separate disk group

- ◆ Split the snapshot storage into a separate disk group.

```
# vxdg split appdg snapdg snap-appvol
```

The *snapdg* disk group can optionally be deported from the application host using the `vxdg deport` command and imported on another host using the `vxdg import` command to continue to perform off-host processing.

To refresh snapshot images for off-host processing

- 1 Deport the *snapdg* disk group from the off-host processing host.

```
# vxdg deport snapdg
```

- 2 Import the *snapdg* disk group on the application host.

```
# vxdg import snapdg
```

- 3 On the application host, join the *snapdg* disk group to *appdg*.

```
# vxdg join snapdg appdg
```

After this step, you can proceed with the steps for managing point-in-time copies.

See [“Refreshing point-in-time copies”](#) on page 80.

Online database backups

Online backup of a database can be implemented by configuring either the primary host or a dedicated separate host to perform the backup operation on snapshot mirrors of the primary host’s database.

Two backup methods are described in the following sections:

- See [“Making a backup of an online database on the same host”](#) on page 84.

- See “[Making an off-host backup of an online database](#)” on page 92.

Note: All commands require superuser (`root`) or equivalent privileges, except where it is explicitly stated that a command must be run by the database administrator.

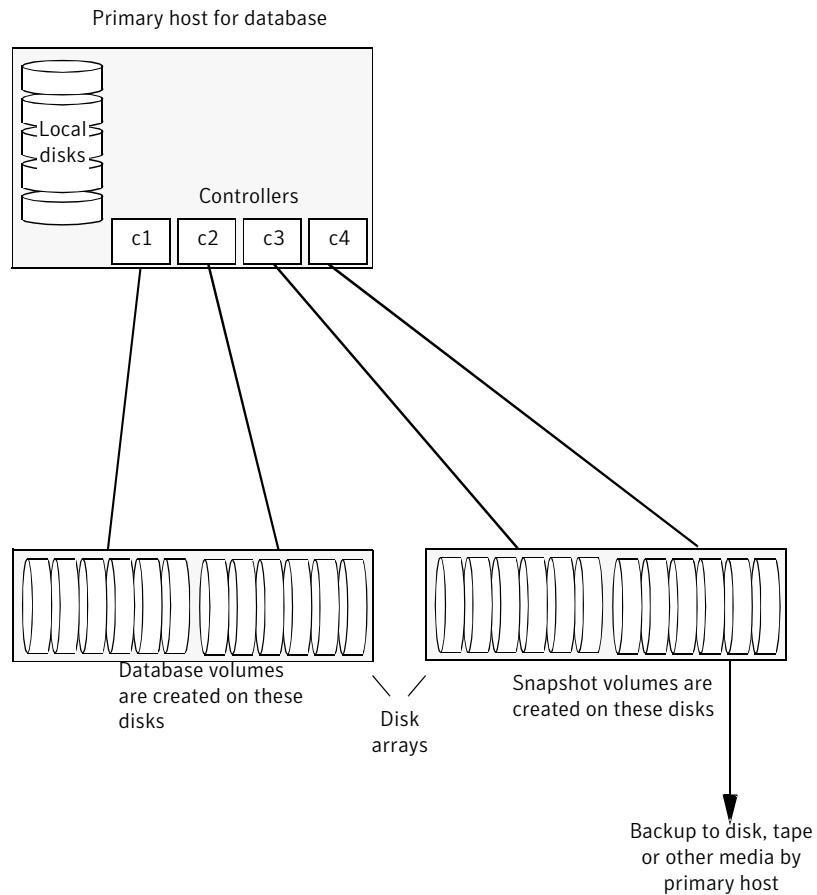
For more information about using snapshots to back up Oracle databases, see the *Veritas Storage Foundation™: Storage and Availability Management for Oracle Databases*.

Note: The sample database scripts in the following procedures are not supported by Symantec, and are provided for informational use only. You can purchase customization of the environment through Veritas Vpro Consulting Services.

Making a backup of an online database on the same host

Figure 7-1 shows an example with two primary database volumes to be backed up, `database_vol` and `dbase_logs`, which are configured on disks attached to controllers `c1` and `c2`, and the snapshots to be created on disks attached to controllers `c3` and `c4`.

Figure 7-1 Example system configuration for database backup on the primary host



Note: It is assumed that you have already prepared the volumes containing the file systems for the datafiles to be backed up as described in the example.

To make an online database backup

- Prepare the snapshot, either full-sized or space-optimized.
 Depending on the application, space-optimized snapshots typically require 10% of the disk space that is required for full-sized instant snapshots.
- Create snapshot mirrors for volumes containing VxFS file systems for database files to be backed up.

- Make the online database backup.

Some scenarios where full-instant snapshot works better are:

- Off host processing is planned for a databases backup.
- If a space-optimized snapshot is taken for longer duration and modified frequently then it is not much different than the full-snapshot. So, for performance reason full-snapshot will be preferred,

Preparing a full-sized instant snapshot for a backup

You can use a full-sized instant snapshot for your online or off-host database backup.

Warning: To avoid data inconsistencies, do not use the same snapshot with different point-in-time copy applications. If you require snapshot mirrors for more than one application, configure at least one snapshot mirror that is dedicated to each application.

To make a full-sized instant snapshot for a backup of an online database on the same host

- 1 Use the following commands to add one or more snapshot plexes to the volume, and to make a full-sized break-off snapshot, *snapvol*, of the tablespace volume by breaking off these plexes:

```
# vxsnap -g database_dg addmir database_vol [nmirror=N] \
  [alloc=storage_attributes]
# vxsnap -g database_dg make \
  source=database_vol/newvol=snapvol[/nmirror=N] \
  [alloc=storage_attributes]
```

By default, one snapshot plex is added unless you specify a number using the `nmirror` attribute. For a backup, you should usually only require one plex. You can specify storage attributes (such as a list of disks) to determine where the plexes are created.

You can specify at least *N* number of disks if the specified number of mirrors is *N*.

- 2 If the volume layout does not support plex break-off, prepare an empty volume for the snapshot. Create a full-sized instant snapshot for an original volume that does not contain any spare plexes, you can use an empty volume with the required degree of redundancy, and with the same size and same region size as the original volume.

Use the `vxprint` command on the original volume to find the required size for the snapshot volume.

```
# LEN=`vxprint [-g diskgroup] -F%len database_vol`
```

Note: The command shown in this and subsequent steps assumes that you are using a Bourne-type shell such as `sh`, `ksh` or `bash`. You may need to modify the command for other shells such as `csh` or `tcsh`. These steps are valid only for instant snap DCOs.

- 3 Use the `vxprint` command on the original volume to discover the name of its DCO:

```
# DCONAME=`vxprint [-g diskgroup] -F%dco_name database_vol`
```

- 4 Use the `vxprint` command on the DCO to discover its region size (in blocks):

```
# RSZ=`vxprint [-g diskgroup] -F%regionsz $DCONAME`
```

- 5 Use the `vxassist` command to create a volume, *snapvol*, of the required size and redundancy. You can use storage attributes to specify which disks should be used for the volume. The `init=active` attribute makes the volume available immediately.

```
# vxassist [-g diskgroup] make snapvol $LEN \  
  [layout=mirror nmirror=number] init=active \  
  [storage_attributes]
```

- 6 Prepare the snapshot volume for instant snapshot operations as shown here:

```
# vxsnap [-g diskgroup] prepare snapvol [ndcomirs=number] \  
  regionsz=$RSZ [storage_attributes]
```

It is recommended that you specify the same number of DCO mirrors (*ndcomirror*) as the number of mirrors in the volume (*nmirror*).

- 7 Use the following command to create the snapshot:

```
# vxsnap -g database_dg make source=database_vol/snapvol=snapvol
```

If a database spans more than one volume, specify all the volumes and their snapshot volumes as separate tuples on the same line, for example:

```
# vxsnap -g database_dg make source=database_vol1/snapvol=snapvol1 \
source=database_vol2/newvol=snapvol2 \
source=database_vol3/snapvol=snapvol3
```

When you are ready to make a backup, proceed to make a backup of an online database on the same host.

Preparing a space-optimized snapshot for a database backup

If a snapshot volume is to be used on the same host, and will not be moved to another host, you can use space-optimized instant snapshots rather than full-sized instant snapshots. Depending on the application, space-optimized snapshots typically require 10% of the disk space that is required for full-sized instant snapshots.

To prepare a space-optimized snapshot for a backup of an online database

- 1 Decide on the following characteristics that you want to allocate to the cache volume that underlies the cache object:
 - The size of the cache volume should be sufficient to record changes to the parent volumes during the interval between snapshot refreshes. A suggested value is 10% of the total size of the parent volumes for a refresh interval of 24 hours.
 - If redundancy is a desired characteristic of the cache volume, it should be mirrored. This increases the space that is required for the cache volume in proportion to the number of mirrors that it has.
 - If the cache volume is mirrored, space is required on at least as many disks as it has mirrors. These disks should not be shared with the disks used for the parent volumes. The disks should also be chosen to avoid impacting I/O performance for critical volumes, or hindering disk group split and join operations.
- 2 Having decided on its characteristics, use the `vxassist` command to create the volume that is to be used for the cache volume. The following example creates a mirrored cache volume, `cachevol`, with size 1GB in the disk group, `database_dg`, on the disks `disk16` and `disk17`:

```
# vxassist -g database_dg make cachevol 1g layout=mirror \
init=active disk16 disk17
```

The attribute `init=active` is specified to make the cache volume immediately available for use.

- 3 Use the `vxmake cache` command to create a cache object on top of the cache volume that you created in the previous step:


```
# vxmake [-g diskgroup] cache cache_object \
  cachevolname=cachevol [regionsize=size] [autogrow=on] \
  [highwatermark=hwmk] [autogrowby=agbvalue] \
  [maxautogrow=maxagbvalue]
```

If you specify the region size, it must be a power of 2, and be greater than or equal to 16KB (16k). If not specified, the region size of the cache is set to 64KB.

Note: All space-optimized snapshots that share the cache must have a region size that is equal to or an integer multiple of the region size set on the cache. Snapshot creation also fails if the original volume's region size is smaller than the cache's region size.

If the cache is not allowed to grow in size as required, specify `autogrow=off`. By default, the ability to automatically grow the cache is turned on.

In the following example, the cache object, `cache_object`, is created over the cache volume, `cachevol`, the region size of the cache is set to 32KB, and the `autogrow` feature is enabled:

```
# vxmake -g database_dg cache cache_object cachevolname=cachevol \
  regionsize=32k autogrow=on
```

- 4 Having created the cache object, use the following command to enable it:

```
vxcache [-g diskgroup] start cache_object
```

For example, start the cache object `cache_object`:

```
# vxcache -g database_dg start cache_object
```

- 5 Create a space-optimized snapshot with your cache object.

```
# vxsnap -g database_dg make \
  source=database_vol1/newvol=snapvol1/cache=cache_object
```

- 6 If several space-optimized snapshots are to be created at the same time, these can all specify the same cache object as shown in this example:

```
# vxsnap -g database_dg make \
  source=database_vol1/newvol=snapvol1/cache=cache_object \
  source=database_vol2/newvol=snapvol2/cache=cache_object \
  source=database_vol3/newvol=snapvol3/cache=cache_object
```

Note: This step sets up the snapshot volumes, prepares for the backup cycle, and starts tracking changes to the original volumes.

When you are ready to make a backup, proceed to make a backup of an online database on the same host

Backing up a Sybase database on the same host

You can make an online backup of your Sybase database.

To make a backup of an online Sybase database on the same host

- 1 If the volumes to be backed up contain database tables in file systems, suspend updates to the volumes. Sybase ASE from version 12.0 onward provides the Quiesce feature to allow temporary suspension of writes to a database. As the Sybase database administrator, put the database in quiesce mode by using a script such as that shown in the example.

```
#!/bin/ksh
#
# script: backup_start.sh
#
# Sample script to quiesce example Sybase ASE database.
#
# Note: The "for external dump" clause was introduced in Sybase
# ASE 12.5 to allow a snapshot database to be rolled forward.
# See the Sybase ASE 12.5 documentation for more information.

isql -Usa -Ppassword -SFMR <<!
quiesce database tag hold database1[, database2]... [for external dump]
go
quit
!
```

- 2 Refresh the contents of the snapshot volumes from the original volume using the following command:

```
# vxsnap -g database_dg refresh snapvol source=database_vol \
  [snapvol2 source=database_vol2]...
```

For example, to refresh the snapshots *snapvol1*, *snapvol2* and *snapvol3*:

```
# vxsnap -g database_dg refresh snapvol1 source=database_vol1 \
  snapvol2 source=database_vol2 snapvol3 source=database_vol3
```

- 3 If you have temporarily suspended updates to volumes, release all the tablespaces or databases from quiesce mode.

As the Sybase database administrator, release the database from quiesce mode using a script such as that shown in the example.

```
#!/bin/ksh
#
# script: backup_end.sh
#
# Sample script to release example Sybase ASE database from
# quiesce mode.

isql -Usa -Ppassword -SFMR <<!
quiesce database tag release
go
quit
!
```

- 4 Back up the snapshot volume. If you need to remount the file system in the volume to back it up, first run `fsck` on the volume. The following are sample commands for checking and mounting a file system:

```
# fsck -F vxfs /dev/vx/rdisk/database_dg/snapvol
# mount -F vxfs /dev/vx/dsk/database_dg/snapvol
  mount_point
```

Back up the file system at this point using a command such as `bpbackup` in Symantec NetBackup. After the backup is complete, use the following command to unmount the file system.

```
# umount mount_point
```

- 5 Repeat steps in this procedure each time that you need to back up the volume.

Resynchronizing a volume

In some instances, such as recovering the contents of a corrupted volume, it may be useful to resynchronize a volume from its snapshot volume (which is used as a hot standby).

To resynchronize a volume from its snapshot volume

◆ Enter:

```
# vxsnap -g diskgroup restore database_vol source=snapvol \  
destroy=yes|no
```

The `destroy` attribute specifies whether the plexes of the snapshot volume are to be reattached to the original volume. For example, to resynchronize the volume `database_vol` from its snapshot volume `snapvol` without removing the snapshot volume:

```
# vxsnap -g database_dg restore database_vol \  
source=snapvol destroy=no
```

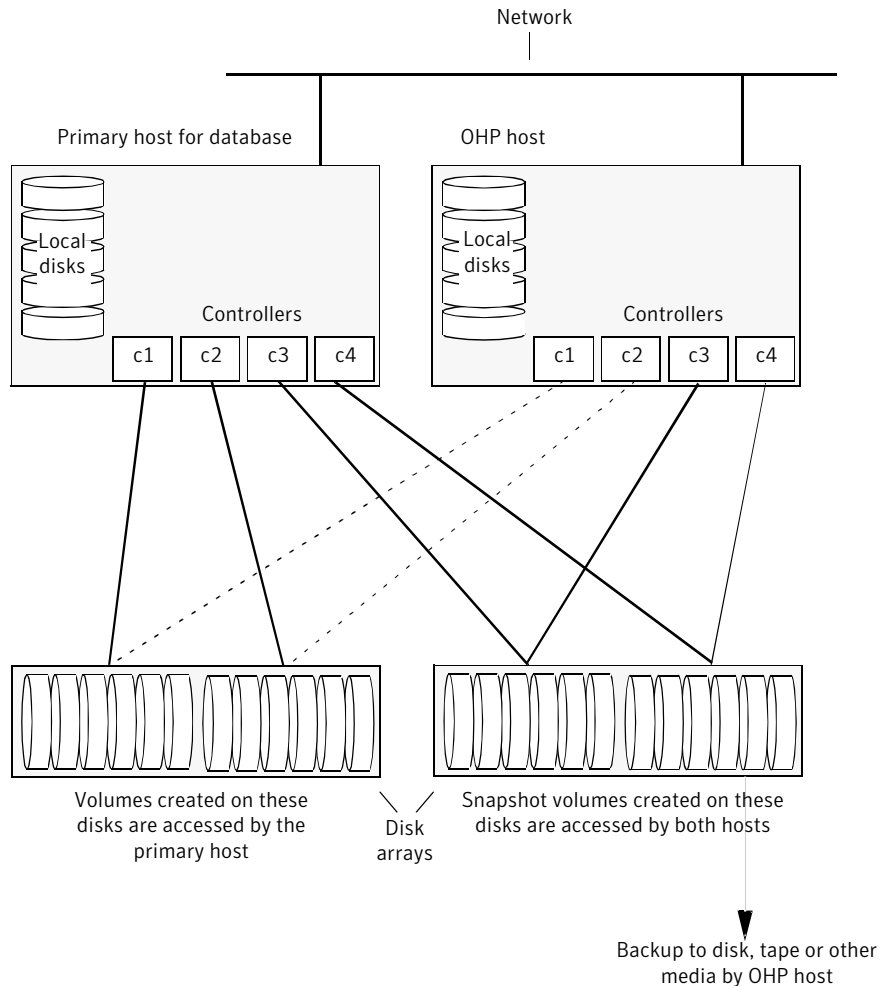
Note: You must shut down the database and unmount the file system that is configured on the original volume before attempting to resynchronize its contents from a snapshot.

Making an off-host backup of an online database

Figure 7-2 shows an example of two primary database volumes to be backed up, `database_vol` and `dbase_logs`, which are configured on disks attached to controllers `c1` and `c2`, and the snapshots to be created on disks attached to controllers `c3` and `c4`.

There is no requirement for the off-host processing host to have access to the disks that contain the primary database volumes.

Figure 7-2 Example system configuration for off-host database backup



If the database is configured on volumes in a cluster-shareable disk group, it is assumed that the primary host for the database is the master node for the cluster. However, if the primary host is not also the master node, most Veritas Volume Manager (VxVM) operations on shared disk groups are best performed on the master node.

To make an off-host database backup of an online database:

- Prepare the full-sized snapshot for backing up.
 See [“Preparing a full-sized instant snapshot for a backup”](#) on page 86.

- Make the off-host database backup of the database.
See [“Making an off-host backup of an online Sybase database”](#) on page 94.

Making an off-host backup of an online Sybase database

The procedure for off-host database backup is designed to minimize copy-on-write operations that can impact system performance. You can use this procedure whether the database volumes are in a cluster-shareable disk group or a private disk group on a single host. If the disk group is cluster-shareable, you can use a node in the cluster for the off-host processing (OHP) host. In that case, you can omit the steps to split the disk group and deport it to the OHP host. The disk group is already accessible to the OHP host. Similarly, when you refresh the snapshot you do not need to reimport the snapshot and rejoin the snapshot disk group to the primary host.

To make an off-host backup of an online Sybase database

- 1 On the primary host, add one or more snapshot plexes to the volume using this command:

```
# vxsnap -g database_dg addmir database_vol [nmirror=N] \  
[alloc=storage_attributes]
```

By default, one snapshot plex is added unless you specify a number using the `nmirror` attribute. For a backup, you should usually only require one plex. You can specify storage attributes (such as a list of disks) to determine where the plexes are created.

- 2 Suspend updates to the volumes. As the Sybase database administrator, put the database in quiesce mode by using a script such as that shown in the example.

```
#!/bin/ksh  
#  
# script: backup_start.sh  
#  
# Sample script to quiesce example Sybase ASE database.  
#  
# Note: The "for external dump" clause was introduced in Sybase  
# ASE 12.5 to allow a snapshot database to be rolled forward.  
# See the Sybase ASE 12.5 documentation for more information.  
  
isql -Usa -Ppassword -SFMR <<!  
quiesce database tag hold database1[, database2]... [for  
external dump]  
go  
quit  
!
```

- 3 Use the following command to make a full-sized snapshot, *snapvol*, of the tablespace volume by breaking off the plexes that you added in step 1 from the original volume:

```
# vxsnap -g database_dg make \  
    source=database_vol/newvol=snapvol/nmirror=N \  
    [alloc=storage_attributes]
```

The `nmirror` attribute specifies the number of mirrors, *N*, in the snapshot volume.

If a database spans more than one volume, specify all the volumes and their snapshot volumes as separate tuples on the same line, for example:

```
# vxsnap -g database_dg make source=database_vol1/snapvol=snapvol1 \  
    source=database_vol2/snapvol=snapvol2 \  
    source=database_vol3/snapvol=snapvol3 alloc=ctlr:c3,ctlr:c4
```

This step sets up the snapshot volumes ready for the backup cycle, and starts tracking changes to the original volumes.

- 4 Release all the tablespaces or databases from quiesce mode. As the Sybase database administrator, release the database from quiesce mode using a script such as that shown in the example.

```
#!/bin/ksh  
#  
# script: backup_end.sh  
#  
# Sample script to release example Sybase ASE database from quiesce  
# mode.  
  
isql -Usa -Ppassword -SFMR <<!  
quiesce database tag release  
go  
quit  
!
```


- 5 If the primary host and the snapshot host are in the same cluster, and the disk group is shared, the snapshot volume is already accessible to the OHP host. Skip to step 9.

If the OHP host is not in the cluster, perform the following steps to make the snapshot volume accessible to the OHP host.

On the primary host, split the disks containing the snapshot volumes into a separate disk group, *snapvoldg*, from the original disk group, *database_dg* using the following command:

```
# vxdg split database_dg snapvoldg snapvol ...
```

- 6 On the primary host, deport the snapshot volume's disk group using the following command:

```
# vxdg deport snapvoldg
```

- 7 On the OHP host where the backup is to be performed, use the following command to import the snapshot volume's disk group:

```
# vxdg import snapvoldg
```

- 8 VxVM will recover the volumes automatically after the disk group import unless it is set to not recover automatically. Check if the snapshot volume is initially disabled and not recovered following the split.

If a volume is in the DISABLED state, use the following command on the OHP host to recover and restart the snapshot volume:

```
# vxrecover -g snapvoldg -m snapvol ...
```

- 9 On the OHP host, back up the snapshot volumes. If you need to remount the file system in the volume to back it up, first run `fsck` on the volumes. The following are sample commands for checking and mounting a file system:

```
# fsck -F vxfs /dev/vx/rdsk/snapvoldg/snapvol  
# mount -F vxfs /dev/vx/dsk/snapvoldg/snapvol mount_point
```

Back up the file system using a command such as `bpbbackup` in Symantec NetBackup. After the backup is complete, use the following command to unmount the file system.

```
# umount mount_point
```

- 10 If the primary host and the snapshot host are in the same cluster, and the disk group is shared, the snapshot volume is already accessible to the primary host. Skip to step 14.

If the OHP host is not in the cluster, perform the following steps to make the snapshot volume accessible to the primary host.

On the OHP host, use the following command to deport the snapshot volume's disk group:

```
# vxdg deport snapvoldg
```

- 11 On the primary host, re-import the snapshot volume's disk group using the following command:

```
# vxdg [-s] import snapvoldg
```

Note: Specify the `-s` option if you are reimporting the disk group to be rejoined with a shared disk group in a cluster.

- 12 On the primary host, use the following command to rejoin the snapshot volume's disk group with the original volume's disk group:

```
# vxdg join snapvoldg database_dg
```

- 13** VxVM will recover the volumes automatically after the join unless it is set not to recover automatically. Check if the snapshot volumes are initially disabled and not recovered following the join.

If a volume is in the DISABLED state, use the following command on the primary host to recover and restart the snapshot volume:

```
# vxrecover -g database_dg -m snapvol
```

- 14** On the primary host, reattach the snapshot volumes to their original volume using the following command:

```
# vxsnap -g database_dg reattach snapvol source=database_vol \  
[snapvol2 source=database_vol2]...
```

For example, to reattach the snapshot volumes *snapvol1*, *snapvol2* and *snapvol3*:

```
# vxsnap -g database_dg reattach snapvol1 source=database_vol1 \  
snapvol2 source=database_vol2 snapvol3 source=database_vol3
```

While the reattached plexes are being resynchronized from the data in the parent volume, they remain in the `SNAPTMP` state. After resynchronization is complete, the plexes are placed in the `SNAPDONE` state. You can use the `vxsnap print` command to check on the progress of synchronization.

Repeat steps 2 through 14 each time that you need to back up the volume.

Resynchronizing a volume

In some instances, such as recovering the contents of a corrupted volume, it may be useful to resynchronize a volume from its snapshot volume (which is used as a hot standby).

To resynchronize a volume

- ◆ Use the following command syntax:

```
vxsnap -g database_dg restore database_vol source=snapvol \  
destroy=yes|no
```

The `destroy` attribute specifies whether the plexes of the snapshot volume are to be reattached to the original volume.

For example, to resynchronize the volume `database_vol` from its snapshot volume `snapvol` without removing the snapshot volume:

```
# vxsnap -g database_dg restore database_vol \  
source=snapvol destroy=no
```

Note: You must shut down the database and unmount the file system that is configured on the original volume before attempting to resynchronize its contents from a snapshot.

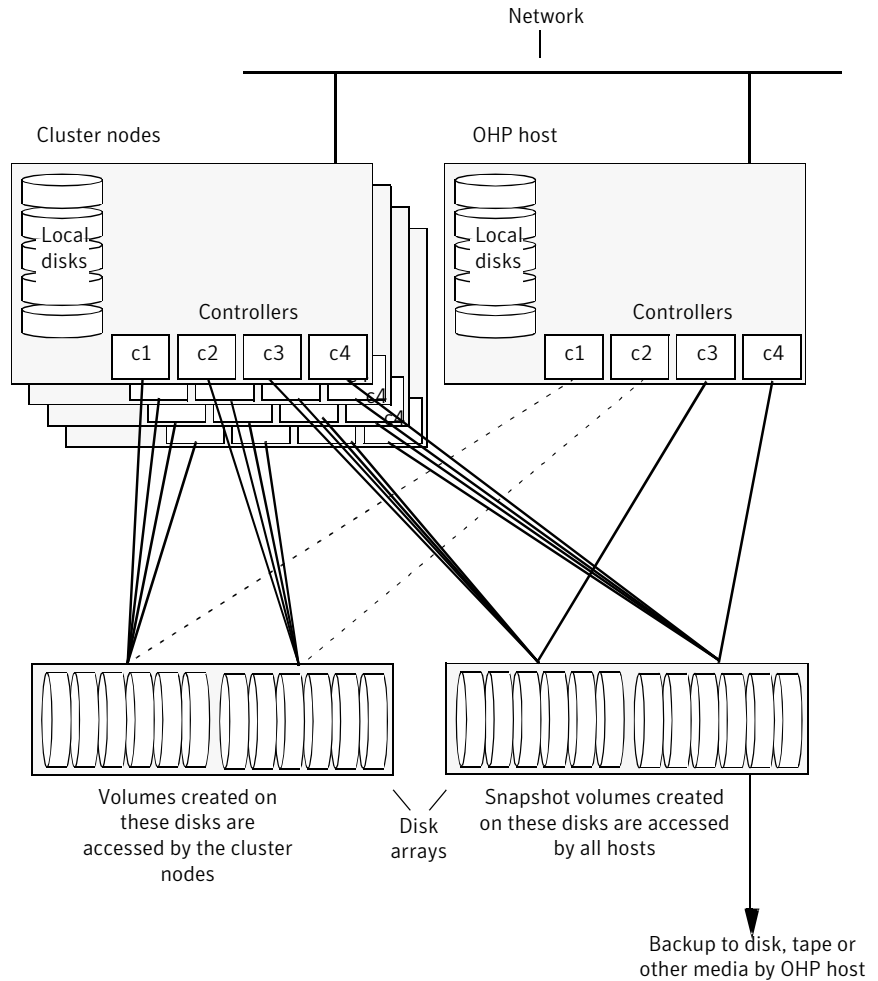
Backing up on an off-host cluster file system

Storage Foundation Cluster File System High Availability (SFCFSHA) allows cluster nodes to share access to the same file system. SFCFSHA is especially useful for sharing read-intensive data between cluster nodes.

Off-host backup of cluster file systems may be implemented by taking a snapshot of the volume containing the file system and performing the backup operation on a separate host.

[Figure 7-3](#) shows an example where the primary volume that contains the file system to be backed up is configured on disks attached to controllers `c1` and `c2`, and the snapshots are to be created on disks attached to controllers `c3` and `c4`.

Figure 7-3 System configuration for off-host file system backup scenarios



To set up an off-host cluster file system backup:

- Mount a VxFS file system for shared access by the nodes of a cluster.
 See [“Mounting a file system for shared access”](#) on page 102.
- Prepare a snapshot of the mounted file system with shared access.
 See [“Preparing a snapshot of a mounted file system with shared access”](#) on page 102.
- Back up a snapshot of a mounted file system with shared access

See “[Backing up a snapshot of a mounted file system with shared access](#)” on page 104.

- All commands require superuser (`root`) or equivalent privileges.

Mounting a file system for shared access

To mount a VxFS file system for shared access, use the following command on each cluster node where required:

```
# mount -F vxfs -o cluster /dev/vx/dsk/database_dg/database_vol  
    mount_point
```

For example, to mount the volume `database_vol` in the disk group `database_dg` for shared access on the mount point, `/mnt_pnt`:

```
# mount -F vxfs -o cluster /dev/vx/dsk/database_dg/database_vol /mnt_pnt
```

Preparing a snapshot of a mounted file system with shared access

You must use a full-sized snapshot for your off-host backup.

Warning: To avoid data inconsistencies, do not use the same snapshot with different point-in-time copy applications. If you require snapshot mirrors for more than one application, configure at least one snapshot mirror that is dedicated to each application.

To prepare to back up a snapshot of a mounted file system which has shared access

- 1 On the master node, use the following command to make a full-sized snapshot, `snapvol`, of the volume containing the file system by breaking off plexes from the original volume:

```
# vxsnap -g database_dg make \  
    source=database_vol/newvol=snapvol/nmirror=N
```

The `nmirror` attribute specifies the number of mirrors, `N`, in the snapshot volume.

For example, to take a snapshot of the volume `database_vol` in the shared disk group `example_dg`:

```
# vxsnap -g database_dg make source=database_vol/newvol=snapvol\  
/nmirror=1
```

If the volume does not have any available plexes, or its layout does not support plex break-off, prepare an empty volume for the snapshot.

- 2 Use the `vxprint` command on the original volume to find the required size for the snapshot volume.

```
# LEN=`vxprint [-g database_dg] -F%len database_vol`
```

Note: The command shown in this and subsequent steps assumes that you are using a Bourne-type shell such as `sh`, `ksh` or `bash`. You may need to modify the command for other shells such as `csh` or `tcsh`. These steps are valid only for instant snap DCOs.

- 3 Use the `vxprint` command on the original volume to discover the name of its DCO:

```
# DCONAME=`vxprint [-g database_dg] -F%dco_name database_vol`
```

- 4 Use the `vxprint` command on the DCO to discover its region size (in blocks):

```
# RSZ=`vxprint [-g database_dg] -F%regionsz $DCONAME`
```

- 5 Use the `vxassist` command to create a volume, `snapvol`, of the required size and redundancy, together with an instant snap DCO volume with the correct region size:

```
# vxassist [-g database_dg] make snapvol $LEN \  
  [layout=mirror nmirror=number] logtype=dco drl=no \  
  dcoverison=20 [ndcomirror=number] regionsz=$RSZ \  
  init=active [storage_attributes]
```

It is recommended that you specify the same number of DCO mirrors (`ndcomirror`) as the number of mirrors in the volume (`nmirror`). The `init=active` attribute is used to make the volume available immediately. You can use storage attributes to specify which disks should be used for the volume.

As an alternative to creating the snapshot volume and its DCO volume in a single step, you can first create the volume, and then prepare it for instant snapshot operations as shown here:

```
# vxassist [-g database_dg] make snapvol $LEN \  
  [layout=mirror nmirror=number] init=active \  
  [storage_attributes]
```

```
# vxsnap [-g database_dg] prepare snapvol [ndcomirs=number] \  
regionsz=$RSZ [storage_attributes]
```

- 6 Then use the following command to create the snapshot:

```
# vxsnap -g database_dg make source=database_dg/snapvol=snapvol
```

Note: This step actually takes the snapshot and sets up the snapshot volumes ready for the backup cycle, and starts tracking changes to the original volumes.

When you are ready to make a backup, proceed to step 1.

Backing up a snapshot of a mounted file system with shared access

While you can run the commands in the following steps from any node, Symantec recommends running them from the master node.

To back up a snapshot of a mounted file system which has shared access

- 1 On any node, refresh the contents of the snapshot volumes from the original volume using the following command:

```
# vxsnap -g database_dg refresh snapvol source=database_vol \  
[snapvol12 source=database_vol12]... syncing=yes
```

The `syncing=yes` attribute starts a synchronization of the snapshot in the background.

For example, to refresh the snapshot *snapvol*:

```
# vxsnap -g database_dg refresh snapvol source=database_vol \  
syncing=yes
```

This command can be run every time you want to back up the data. The `vxsnap refresh` command will resync only those regions which have been modified since the last refresh.

- 2 On any node of the cluster, use the following command to wait for the contents of the snapshot to be fully synchronous with the contents of the original volume:

```
# vxsnap -g database_dg syncwait snapvol
```

For example, to wait for synchronization to finish for the snapshots *snapvol*:

```
# vxsnap -g database_dg syncwait snapvol
```

Note: You cannot move a snapshot volume into a different disk group until synchronization of its contents is complete. You can use the `vxsnap print` command to check on the progress of synchronization.

- 3 On the master node, use the following command to split the snapshot volume into a separate disk group, *snapvoldg*, from the original disk group, *database_dg*:

```
# vxdg split volumedg  
snapvoldg  
snapvol
```

For example, to place the snapshot of the volume *database_vol* into the shared disk group `splitdg`:

```
# vxdg split database_dg splitdg snapvol
```

- 4 On the master node, deport the snapshot volume's disk group using the following command:

```
# vxdg deport snapvoldg
```

For example, to deport the disk group `splitdg`:

```
# vxdg deport splitdg
```

- 5 On the OHP host where the backup is to be performed, use the following command to import the snapshot volume's disk group:

```
# vxdg import snapvoldg
```

For example, to import the disk group `splitdg`:

```
# vxdg import splitdg
```

- 6 VxVM will recover the volumes automatically after the disk group import unless it is set not to recover automatically. Check if the snapshot volume is initially disabled and not recovered following the split.

If a volume is in the DISABLED state, use the following command on the OHP host to recover and restart the snapshot volume:

```
# vxrecover -g snapvoldg -m snapvol
```

For example, to start the volume `snapvol`:

```
# vxrecover -g splitdg -m snapvol
```

- 7 On the OHP host, use the following commands to check and locally mount the snapshot volume:

```
# fsck -F vxfs /dev/vx/rdisk/database_dg/database_vol
```

```
# mount -F vxfs /dev/vx/dsk/database_dg/database_vol  
  mount_point
```

For example, to check and mount the volume `snapvol` in the disk group `snapvoldg` for shared access on the mount point, `/bak/mnt_pnt`:

```
# fsck -F vxfs /dev/vx/rdisk/snapvoldg/snapvol
```

```
# mount -F vxfs /dev/vx/dsk/snapvoldg/snapvol /bak/mnt_pnt
```

- 8** Back up the file system at this point using a command such as `bpbackup` in Symantec NetBackup. After the backup is complete, use the following command to unmount the file system.

```
# umount mount_point
```

- 9** On the off-host processing host, use the following command to deport the snapshot volume's disk group:

```
# vxdg deport snapvoldg
```

For example, to deport *snapvoldg*:

```
# vxdg deport snapvoldg
```

- 10** On the master node, re-import the snapshot volume's disk group as a shared disk group using the following command:

```
# vxdg -s import snapvoldg
```

For example, to import *snapvoldg*:

```
# vxdg -s import snapvoldg
```

- 11** On the master node, use the following command to rejoin the snapshot volume's disk group with the original volume's disk group:

```
# vxdg join snapvoldg database_dg
```

For example, to join disk group *snapvoldg* with *database_dg*:

```
# vxdg join snapvoldg database_dg
```

- 12 VxVM will recover the volumes automatically after the join unless it is set not to recover automatically. Check if the snapshot volumes are initially disabled and not recovered following the join.

If a volume is in the DISABLED state, use the following command on the primary host to recover and restart the snapshot volume:

```
# vxrecover -g database_dg -m snapvol
```

- 13 When the backup is complete, use the following command to unmount the snapshot volume, and make it ready for its contents to be refreshed from the primary volume:

```
# umount mount_point
```

When synchronization is complete, the snapshot is ready to be re-used for backup.

Warning: Before attempting to unmount the snapshot, shut down all applications that access a file system in the snapshot volume, and also unmount any such file system.

Repeat the entire procedure each time that you need to back up the volume.

Resynchronizing a volume from its snapshot volume

In some instances, such as recovering the contents of a corrupted volume, it may be useful to resynchronize a volume from its snapshot volume (which is used as a hot standby).

To resynchronize a volume from its snapshot volume

◆ Enter:

```
vxsnap -g database_dg restore database_vol source=snapvol \  
destroy=yes|no
```

The `destroy` attribute specifies whether the plexes of the snapshot volume are to be reattached to the original volume. For example, to resynchronize the volume `database_vol` from its snapshot volume `snapvol` without removing the snapshot volume:

```
# vxsnap -g database_dg restore database_vol source=snapvol destroy=no
```

Note: You must unmount the file system that is configured on the original volume before attempting to resynchronize its contents from a snapshot.

Reattaching snapshot plexes

Some or all plexes of an instant snapshot may be reattached to the specified original volume, or to a source volume in the snapshot hierarchy above the snapshot volume.

Note: This operation is not supported for space-optimized instant snapshots.

By default, all the plexes are reattached, which results in the removal of the snapshot. If required, the number of plexes to be reattached may be specified as the value assigned to the `nmirror` attribute.

Note: The snapshot being reattached must not be open to any application. For example, any file system configured on the snapshot volume must first be unmounted.

To reattach a snapshot

- ◆ Use the following command to reattach an instant snapshot to the specified original volume, or to a source volume in the snapshot hierarchy above the snapshot volume:

```
vxsnap [-g database_dg] reattach snapvol source=database_vol \  
      [nmirror=number]
```

For example the following command reattaches 1 plex from the snapshot volume, *snapvol*, to the volume, *database_vol*:

```
# vxsnap -g database_dg reattach snapvol source=database_vol nmirror=1
```

While the reattached plexes are being resynchronized from the data in the parent volume, they remain in the `SNAPTMP` state. After resynchronization is complete, the plexes are placed in the `SNAPDONE` state.

The `vxsnap refresh` and `vxsnap reattach` commands have slightly different behaviors.

The `vxsnap reattach` command reattaches a snapshot volume to its source volume and begins copying the volume data to the snapshot volume.

The `vxsnap refresh` command updates the snapshot volumes contents view. The updated snapshot is available immediately with the new contents while synchronization occurs in the background.

Database recovery using Storage Checkpoints

You can use Storage Checkpoints to implement efficient backup and recovery of databases that have been laid out on VxFS file systems. A Storage Checkpoint allows you to roll back an entire database, a tablespace, or a single database file to the time that the Storage Checkpoint was taken. Rolling back to or restoring from any Storage Checkpoint is generally very fast because only the changed data blocks need to be restored.

Storage Checkpoints can also be mounted, allowing regular file system operations to be performed or secondary databases to be started.

For information on how to administer Storage Checkpoints, see *Veritas Storage Foundation™ Administrator's Guide*.

For information on how to administer Database Storage Checkpoints for an Oracle database, see *Veritas Storage Foundation™: Storage and High Availability Mangement for Oracle Databases*.

Note: Storage Checkpoints can only be used to restore from logical errors such as human mistakes or software faults. You cannot use them to restore files after a disk failure because all the data blocks are on the same physical device. Disk failure requires restoration of a database from a backup copy of the database files kept on a separate medium. Combining data redundancy (for example, disk mirroring) with Storage Checkpoints is recommended for highly critical data to protect against both physical media failure and logical errors.

Storage Checkpoints require space in the file systems where they are created, and the space required grows over time as copies of changed file system blocks are made. If a file system runs out of space, and there is no disk space into which the file system and any underlying volume can expand, VxFS automatically removes the oldest Storage Checkpoints if they were created with the removable attribute.

Creating Storage Checkpoints

To create Storage Checkpoints, select 3 Storage Checkpoint Administration > Create New Storage Checkpoints in the VxDBA utility. This can be done with a database either online or offline.

Note: To create a Storage Checkpoint while the database is online, ARCHIVELOG mode must be enabled in Oracle. During the creation of the Storage Checkpoint, the tablespaces are placed in backup mode. Because it only takes a few seconds to take a Storage Checkpoint, the extra redo logs generated while the tablespaces are in online backup mode are very small. To optimize recovery, it is recommended that you keep ARCHIVELOG mode enabled.

Warning: Changes to the structure of a database, such as the addition or removal of datafiles, make Storage Rollback impossible if they are made after a Storage Checkpoint was taken. A backup copy of the control file for the database is saved under the `/etc/vx/vxdba/ORACLE_SID/checkpoint_dir` directory immediately after a Storage Checkpoint is created. If necessary, you can use this file to assist with database recovery. If possible, both an ASCII and binary copy of the control file are made, with the binary version being compressed to conserve space. Use extreme caution if you attempt to recover your database using these control files. It is recommended that you remove old Storage Checkpoints and create new ones whenever you restructure a database.

Rolling back a database

The procedure in this section describes how to roll back a database using a Storage Checkpoint, for example, after a logical error has occurred.

To roll back a database

- 1 Ensure that the database is offline. You can use the VxDBA utility to display the status of the database and its tablespaces, and to shut down the database:
 - Select `2 Display Database/VxDBA Information` to access the menus that display status information.
 - Select `1 Database Administration > Shutdown Database Instance` to shut down a database.
- 2 Select `4 Storage Rollback Administration > Roll Back the Database` to a Storage Checkpoint in the VxDBA utility, and choose the appropriate Storage Checkpoint. This restores all data files used by the database, except redo logs and control files, to their state at the time that the Storage Checkpoint was made.
- 3 Start up, but do not open, the database instance by selecting `1 Database Administration > Startup Database Instance` in the VxDBA utility.
- 4 Use one of the following commands to perform an incomplete media recovery of the database:

- Recover the database until you stop the recovery:

```
recover database until cancel;  
...  
alter database [database] recover cancel;
```

- Recover the database to the point just before a specified system change number, scn:

```
recover database until change scn;
```

- Recover the database to the specified time:

```
recover database until time 'yyyy-mm-dd:hh:mm:ss';
```

- Recover the database to the specified time using a backup control file:

```
recover database until time 'yyyy-mm-dd:hh:mm:ss' \  
using backup controlfile;
```

Note: To find out when an error occurred, check the `../bdump/alert*.log` file.

See the Oracle documentation for complete and detailed information on database recovery.

- 5 To open the database after an incomplete media recovery, use the following command:

```
alter database open resetlogs;
```

Note: The `resetlogs` option is required after an incomplete media recovery to reset the log sequence. Remember to perform a full database backup and create another Storage Checkpoint after log reset.

- 6 Perform a full database backup, and use the VxDBA utility to remove any existing Storage Checkpoints that were taken before the one to which you just rolled back the database. These Storage Checkpoints can no longer be used for Storage Rollback. If required, use the VxDBA utility to delete the old Storage Checkpoints and to create new ones.

Backing up and recovering in a NetBackup environment

This chapter includes the following topics:

- [About using NetBackup for backup and restore for Sybase](#)
- [About using Veritas NetBackup to backup and restore Quick I/O files for Sybase](#)
- [Using NetBackup in an SFHA Solutions product environment](#)

About using NetBackup for backup and restore for Sybase

Veritas NetBackup for Sybase is not included in the standard Veritas Database Edition. The information included here is for reference only.

Veritas NetBackup for Sybase integrates the database backup and recovery capabilities of Sybase Backup Server with the backup and recovery management capabilities of NetBackup.

Veritas NetBackup works with Sybase APIs to provide high-performance backup and restore for Sybase dataservers. With Veritas NetBackup, you can set up schedules for automatic, unattended backups for Sybase ASE dataservers (NetBackup clients) across the network. These backups can be full database dumps or incremental backups (transaction logs) and are managed by the NetBackup server. You can also manually backup dataservers. The Sybase `dump` and `load` commands are used to perform backups and restores.

Veritas NetBackup has both graphical and menu driven user interfaces to suit your needs.

For details, refer to *Veritas NetBackup System Administrator's Guide for UNIX*.

About using Veritas NetBackup to backup and restore Quick I/O files for Sybase

Veritas NetBackup does not follow symbolic links when backing up files. Typical backup management applications are designed this way to avoid backing up the same data twice. This would happen if both the link and the file it points to were included in the list of files to be backed up.

A Quick I/O file consists of two components: a hidden file with the space allocated for it, and a link that points to the Quick I/O interface of the hidden file. Because NetBackup does not follow symbolic links, you must specify both the Quick I/O link and its hidden file in the list of files to be backed up.

To view all files and their attributes in the db01 directory:

```
$ ls -la /db01

total 2192

drwxr-xr-x  2 root  root  96  Oct 20 17:39  .
drwxr-xr-x  9 root  root 8192 Oct 20 17:39  ..
-rw-r--r--  1 db01  dba 1048576  Oct 20 17:39  .dbfile
lrwxrwxrwx  1 db01  dba  22  Oct 20 17:39  dbfile ->\
.dbfile::cdev:vxfs:
```

In the example above, you must include both the symbolic link `dbfile` and the hidden file `.dbfile` in the file list of the backup class.

If you want to back up all Quick I/O files in a directory, you can simplify the process by just specifying the directory to be backed up. In this case, both components of each Quick I/O file will be properly backed up. In general, you should specify directories to be backed up unless you only want to back up some, but not all files, in those directories.

When restoring a Quick I/O file, if both the symbolic link and the hidden file already exist, NetBackup will restore both components from the backup image. If either one of or both of the two components are missing, NetBackup creates or overwrites as needed.

Using NetBackup in an SFHA Solutions product environment

You can enhance the ease of use and efficiency of your SFHA Solutions product and NetBackup by integrating them as follows:

- Clustering a NetBackup Master Server
- Backing up and recovering a VxVM volume using NetBackup

Clustering a NetBackup Master Server

To enable your NetBackup Master Server to be highly available in a cluster environment, use the following procedure.

To make a NetBackup Master Server, media, and processes highly available

- 1 Verify that your versions of NetBackup and Veritas Cluster Server are compatible. Detailed combination information is included in the NetBackup cluster compatibility list:
 - For NetBackup 7.x cluster compatibility:
See <http://www.symantec.com/business/support/index?page=content&id=TECH126902>
 - For NetBackup 6.x cluster compatibility:
See <http://www.symantec.com/business/support/index?page=content&id=TECH43619>
 - For NetBackup 5.x cluster compatibility:
See <http://www.symantec.com/business/support/index?page=content&id=TECH29272>
 - For more on NetBackup compatibility, see <http://www.symantec.com/business/support/index?page=landing&key=15145>
- 2 The steps to cluster a Master Server are different for different versions of NetBackup. See the applicable NetBackup guide for directions.
<http://sort.symantec.com>

To verify the robustness of the VCS resources and NetBackup processes

- 1 Verify that you can online the Netbackup master.
- 2 Verify that you can offline the Netbackup master.
- 3 Verify that you can monitor all the NetBackup resources.

Backing up and recovering a VxVM volume using NetBackup

To enable NetBackup to backup objects on a VxVM volume, use the following procedure. This procedure enables an Instant Recovery (IR) using a VxVM volume.

To back up objects in a VxVM volume using NetBackup

- 1 Create a VxVM disk group with six disks. The number of disks may vary depending on the volume size, disk size, volume layout, and snapshot method.

If the system this test is running on is a clustered system, create a shared disk group using the `-s` option.

```
# vxdg -s init database_dg disk1 disk2 disk3 \  
disk4 disk5 disk6
```

- 2 Create a "mirror-striped" VxVM volume with a size of 10 Gbytes or the maximum size of the disk, whichever is larger.

```
# vxassist -g database_dg make vol_name 10G \  
layout=mirror-stripe init=active  
# vxvol -g database_dg set fastresync=on vol_name  
# vxassist -g database_dg snapstart nmirror=1 vol_name
```

Note: There are three types of snapshot: mirror, full-size instant, and space-optimized instant snapshots. The example uses an Instant Recovery (IR) snapshot. For snapshot creation details:

See pages 104-107 of the *NetBackup Snapshot Client Administrator's Guide* for 7.1.

See <http://www.symantec.com/docs/DOC3661>

- 3 Make the file system on the volume.
- 4 Mount a VxFS file system on the volume.
If the VxVM volume is a clustered volume, mount the VxFS file system with the `"-o cluster"` option.
- 5 Fill up the VxFS file system up to the desired level. For example, you can fill to 95% full, or to whatever level is appropriate for your file system.
- 6 Store the `cksum(1)` for these files.
- 7 Un-mount the VxFS file system.
- 8 Enable the following Advanced Client option:
 - Perform Snapshot Backup.

- Set **Advanced Snapshot Options** to **vxvm**.
 - Enable **Retain snapshots for instant recovery**.
- 9 Back up the VxVM volume with the NetBackup policy.
- See pages 98-101 of the *NetBackup Snapshot Client Administrator's Guide* for 7.1.
- See <http://www.symantec.com/docs/DOC3661>

Recovering a VxVM volume using NetBackup

To enable NetBackup to recover objects on a VxVM volume, use the following procedure. This procedure performs an Instant Recovery (IR) using a VxVM volume.

To recover objects in a VxVM volume using NetBackup

- 1 Initialize the VxVM volume to zeros.
- 2 Recover the VxVM volume to the newly initialized VxVM volume.
- 3 Mount the VxFS file system on the empty VxVM volume.
- 4 Verify the cksum(1) values against the files recovered.

Off-host processing

This chapter includes the following topics:

- [Storage Foundation off-host processing methods](#)
- [Using a replica database for decision support](#)
- [What is off-host processing?](#)
- [About using VVR for off-host processing](#)

Storage Foundation off-host processing methods

While backup and recovery is an important use case for Storage Foundation point-in-time copy methods, they can also be used for:

- Periodic analysis (mining) of production data
- Predictive what-if analysis
- Software testing against real data
- Application or database problem diagnosis and resolution

Off-host processing use cases are similar to the backup use case in that they generally require consistent images of production data sets. They differ from backup in the three important respects:

- Access mode
Whereas backup is a read-only activity, most off-host processing activities update the data they process. Thus, Snapshot File Systems are of limited utility for off-host processing uses.
- Multiple uses
Backup uses each source data image once, after which the snapshot can be discarded. With other use cases, it is often useful to perform several experiments on the same data set. It is possible to take snapshots of both

Storage Checkpoints and Space-Optimized Instant Snapshots of production data. This facility provides multiple identical data images for exploratory applications at almost no incremental overhead. Rather than testing destructively against a snapshot containing the data set state of interest, tests can be run against snapshots of that snapshot. After each test, the snapshot used can be deleted, leaving the original snapshot containing the starting state intact. Any number of tests or analyses can start with the same data, providing comparable alternatives for evaluation. All such tests can be run while production applications simultaneously process live data.

- **Scheduling**

Whereas backup is typically a regularly scheduled activity, allowing storage and I/O capacity needs to be planned, other applications of snapshots must run with little or no notice. Full-sized and space-optimized instant snapshots and Storage Checkpoints provide instantly accessible snapshots, and are therefore more suitable for these applications.

Storage Foundation examples for data analysis and off-host processing use cases:

- Decision support
- Active secondary use-case with VVR

Using a replica database for decision support

You can use snapshots of a primary database to create a replica of the database at a given moment in time. You can then implement decision support analysis and report generation operations that take their data from the database copy rather than from the primary database. The FastResync functionality of Veritas Volume Manager (VxVM) allows you to quickly refresh the database copy with up-to-date information from the primary database. Reducing the time taken to update decision support data also lets you generate analysis reports more frequently.

Two methods are described for setting up a replica database for decision support:

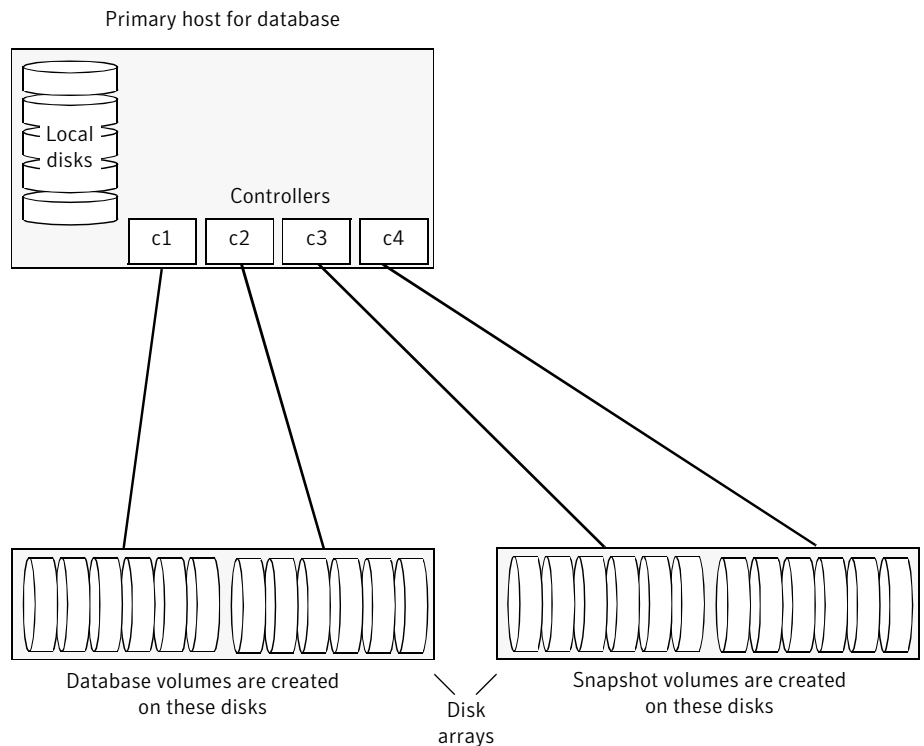
- See [“Creating a replica database on the same host”](#) on page 123.
- See [“Creating an off-host replica database”](#) on page 131.

Note: All commands require superuser (`root`) or equivalent privileges, except where it is explicitly stated that a command must be run by the database administrator.

Creating a replica database on the same host

Figure 9-1 shows an example where the primary database volumes to be backed up, `dbase_vol` and `dbase_logs`, are configured on disks attached to controllers `c1` and `c2`, and the snapshots are to be created on disks attached to controllers `c3` and `c4`.

Figure 9-1 Example system configuration for decision support on the primary host



To set up a replica database to be used for decision support on the primary host

- Prepare the snapshot, either full-sized or space-optimized.
See [“Preparing a full-sized instant snapshot for a backup”](#) on page 86.
- Create snapshot mirrors for volumes containing VxFS file systems for database files to be backed up.
- Make the database replica.
- All commands require superuser (`root`) or equivalent privileges.

Preparing for the replica database

To prepare a snapshot for a replica database on the primary host

- 1 If you have not already done so, prepare the host to use the snapshot volume that contains the copy of the database tables. Set up any new database logs and configuration files that are required to initialize the database.
- 2 Use the following command to make a full-sized snapshot, *snapvol*, of the tablespace volume by breaking off plexes from the original volume:

```
# vxsnap -g database_dg make \  
  source=volume/newvol=snapvol/nmirror=N
```

The `nmirror` attribute specifies the number of mirrors, *N*, in the snapshot volume.

If the volume does not have any available plexes, or its layout does not support plex break-off, prepare an empty volume for the snapshot.

- 3 Use the `vxprint` command on the original volume to find the required size for the snapshot volume.

```
# LEN=`vxprint [-g diskgroup] -F%len volume`
```

Note: The command shown in this and subsequent steps assumes that you are using a Bourne-type shell such as `sh`, `ksh` or `bash`. You may need to modify the command for other shells such as `csh` or `tcsh`. These steps are valid only for an instant snap DCO.

- 4 Use the `vxprint` command on the original volume to discover the name of its DCO:

```
# DCONAME=`vxprint [-g diskgroup] -F%dco_name volume`
```

- 5 Use the `vxprint` command on the DCO to discover its region size (in blocks):

```
# RSZ=`vxprint [-g diskgroup] -F%regionsz $DCONAME`
```

- 6 Use the `vxassist` command to create a volume, `snapvol`, of the required size and redundancy. You can use storage attributes to specify which disks should be used for the volume. The `init=active` attribute makes the volume available immediately.

```
# vxassist [-g diskgroup] make snapvol $LEN \  
[layout=mirror nmirror=number] init=active \  
[storage_attributes]
```

- 7 Prepare the snapshot volume for instant snapshot operations as shown here:

```
# vxsnap [-g diskgroup] prepare snapvol [ndcomirs=number] \  
regionsz=$RSZ [storage_attributes]
```

It is recommended that you specify the same number of DCO mirrors (`ndcomirror`) as the number of mirrors in the volume (`nmirror`).

- 8 To create the snapshot, use the following command:

```
# vxsnap -g database_dg make source=volume/snapvol=snapvol
```

If a database spans more than one volume, specify all the volumes and their snapshot volumes as separate tuples on the same line, for example:

```
# vxsnap -g database_dg make \  
source=vol1/snapvol=svol1/nmirror=2 \  
source=vol2/snapvol=svol2/nmirror=2 \  
source=vol3/snapvol=svol3/nmirror=2
```

If you want to save disk space, you can use the following command to create a space-optimized snapshot instead:

```
# vxsnap -g database_dg make \  
source=volume/newvol=snapvol/cache=cacheobject
```

The argument `cacheobject` is the name of a pre-existing cache that you have created in the disk group for use with space-optimized snapshots. To create the cache object, follow step 9 through step 12.

If several space-optimized snapshots are to be created at the same time, these can all specify the same cache object as shown in this example:

```
# vxsnap -g database_dg make \  
source=vol1/newvol=svol1/cache=dbaseco \  
source=vol2/newvol=svol2/cache=dbaseco \  
source=vol3/newvol=svol3/cache=dbaseco
```

- 9 Decide on the following characteristics that you want to allocate to the cache volume that underlies the cache object:
 - The size of the cache volume should be sufficient to record changes to the parent volumes during the interval between snapshot refreshes. A suggested value is 10% of the total size of the parent volumes for a refresh interval of 24 hours.
 - If redundancy is a desired characteristic of the cache volume, it should be mirrored. This increases the space that is required for the cache volume in proportion to the number of mirrors that it has.
 - If the cache volume is mirrored, space is required on at least as many disks as it has mirrors. These disks should not be shared with the disks used for the parent volumes. The disks should also be chosen to avoid impacting I/O performance for critical volumes, or hindering disk group split and join operations.
- 10 Having decided on its characteristics, use the `vxassist` command to create the volume that is to be used for the cache volume. The following example creates a mirrored cache volume, `cachevol`, with size 1GB in the disk group, `mydg`, on the disks `disk16` and `disk17`:

```
# vxassist -g mydg make cachevol 1g layout=mirror \  
  init=active disk16 disk17
```

The attribute `init=active` is specified to make the cache volume immediately available for use.

- 11 Use the `vxmake cache` command to create a cache object on top of the cache volume that you created in the previous step:

```
# vxmake [-g diskgroup] cache cache_object \  
cachevolname=volume [regionsize=size] [autogrow=on] \  
[highwatermark=hwmk] [autogrowby=agbvalue] \  
[maxautogrow=maxagbvalue]
```

If you specify the region size, it must be a power of 2, and be greater than or equal to 16KB (16k). If not specified, the region size of the cache is set to 64KB.

Note: All space-optimized snapshots that share the cache must have a region size that is equal to or an integer multiple of the region size set on the cache. Snapshot creation also fails if the original volume's region size is smaller than the cache's region size.

If the cache is not allowed to grow in size as required, specify `autogrow=off`. By default, the ability to automatically grow the cache is turned on.

In the following example, the cache object, `cobjmydg`, is created over the cache volume, `cachevol`, the region size of the cache is set to 32KB, and the `autogrow` feature is enabled:

```
# vxmake -g mydg cache cobjmydg cachevolname=cachevol \  
regionsize=32k autogrow=on
```

- 12 Having created the cache object, use the following command to enable it:

```
# vxcache [-g diskgroup] start cache_object
```

For example to start the cache object, `cobjmydg`:

```
# vxcache -g mydg start cobjmydg
```

Note: This step sets up the snapshot volumes, and starts tracking changes to the original volumes.

Creating a replica database

After you prepare the snapshot, you are ready to create a replica of the database.

To create the replica database

- 1 If the volumes to be backed up contain database tables in file systems, suspend updates to the volumes:

Sybase ASE from version 12.0 onward provides the Quiesce feature to allow temporary suspension of writes to a database. As the Sybase database administrator, put the database in quiesce mode by using a script such as that shown in the example.

```
#!/bin/ksh
#
# script: backup_start.sh
#
# Sample script to quiesce example Sybase ASE database.
#
# Note: The "for external dump" clause was introduced in Sybase
# ASE 12.5 to allow a snapshot database to be rolled forward.
# See the Sybase ASE 12.5 documentation for more information.

isql -Usa -Ppassword -SFMR <<!
quiesce database tag hold database1[, database2]... [for
external dump]
go
quit
!
```

If you are using Sybase ASE 12.5, you can specify the `for external dump` clause to the `quiesce` command. This warm standby method allows you to update a replica database using transaction logs dumped from the primary database.

See [“Updating a warm standby Sybase ASE 12.5 database”](#) on page 140.

- 2 Refresh the contents of the snapshot volumes from the original volume using the following command:

```
# vxsnap -g database_dg refresh snapvol source=vol \
[snapvol2 source=vol2]...
```

For example, to refresh the snapshots `svol1`, `svol2` and `svol3`:

```
# vxsnap -g database_dg refresh svol1 source=vol1 \
svol2 source=vol2 svol3 source=vol3
```


- 3 If you temporarily suspended updates to volumes in step 1, perform the following steps.

Release all the tablespaces or databases from suspend, hot backup or quiesce mode:

As the Sybase database administrator, release the database from quiesce mode using a script such as that shown in the example.

```
#!/bin/ksh
#
# script: backup_end.sh
#
# Sample script to release example Sybase ASE database from
# quiesce mode.

isql -Usa -Ppassword -SFMR <<!
quiesce database tag release
go
quit
!
```

If you are using Sybase ASE 12.5, you can specify the `for external dump` clause to the `quiesce` command. This warm standby method allows you to update a replica database using transaction logs dumped from the primary database.

See [“Updating a warm standby Sybase ASE 12.5 database”](#) on page 140.

- 4 For each snapshot volume containing tablespaces, check the file system that it contains, and mount the volume using the following commands:

```
# fsck -F vxfs /dev/vx/rdisk/diskgroup/snapvol
# mount -F vxfs /dev/vx/dsk/diskgroup/snapvol
  mount_point
```

For example, to check the file system in the snapshot volume `snap1_dbase_vol`, and mount it on `/rep_dbase_vol`:

```
# fsck -F vxfs /dev/vx/rdisk/database_dg/snap1_dbase_vol
# mount -F vxfs /dev/vx/dsk/database_dg/snap1_dbase_vol \
  /rep_dbase_vol
```

5 Copy any required log files from the primary database to the replica database.

For a Sybase ASE database, if you specified the `for external dump` clause when you quiesced the database, use the following `isql` command as the database administrator to dump the transaction log for the database:

```
dump transaction to dump_device with standby_access
```

Then copy the dumped transaction log to the appropriate replica database directory.

6 As the database administrator, start the new database:

- For a Sybase ASE database, use a script such as that shown in the example.

```
#!/bin/ksh
#
# script: startdb.sh <list_of_database_volumes>
#
# Sample script to recover and start replica Sybase ASE
# database.

# Import the snapshot volume disk group.

vxvg import $snapvoldg

# Mount the snapshot volumes (the mount points must already
# exist).

for i in $*
do
    fsck -F vxfs /dev/vx/rdisk/$snapvoldg/snap_$i
    mount -F vxfs /dev/vx/dsk/$snapvoldg/snap_$i \
    ${rep_mnt_point}/${i}
done

# Start the replica database.
# Specify the -q option if you specified the "for external
# dump" clause when you quiesced the primary database.
# See the Sybase ASE 12.5 documentation for more information.

/sybase/ASE-12_5/bin/dataserver \
[-q] \
-sdatabase_name \
-d /sybevm/master \
-e /sybase/ASE-12_5/install/dbasename.log \
```

```
-M /sybase

# Online the database. Load the transaction log dump and
# specify "for standby_access" if you used the -q option
# with the dataserver command.

isql -Usa -Ppassword -SFMR <<!
[load transaction from dump_device with standby_access
go]
online database database_name [for standby_access]
go
quit
!
```

If you are using the warm standby method, specify the `-q` option to the `dataserver` command. Use the following `isql` commands to load the dump of the transaction log and put the database online:

```
load transaction from dump_device with standby_access
online database database_name for standby_access
```

If you are not using the warm standby method, use the following `isql` command to recover the database, roll back any uncommitted transactions to the time that the quiesce command was issued, and put the database online:

```
online database database_name
```

When you want to resynchronize a snapshot with the primary database, shut down the replica database, unmount the snapshot volume, and go back to step 1 to refresh the contents of the snapshot from the original volume.

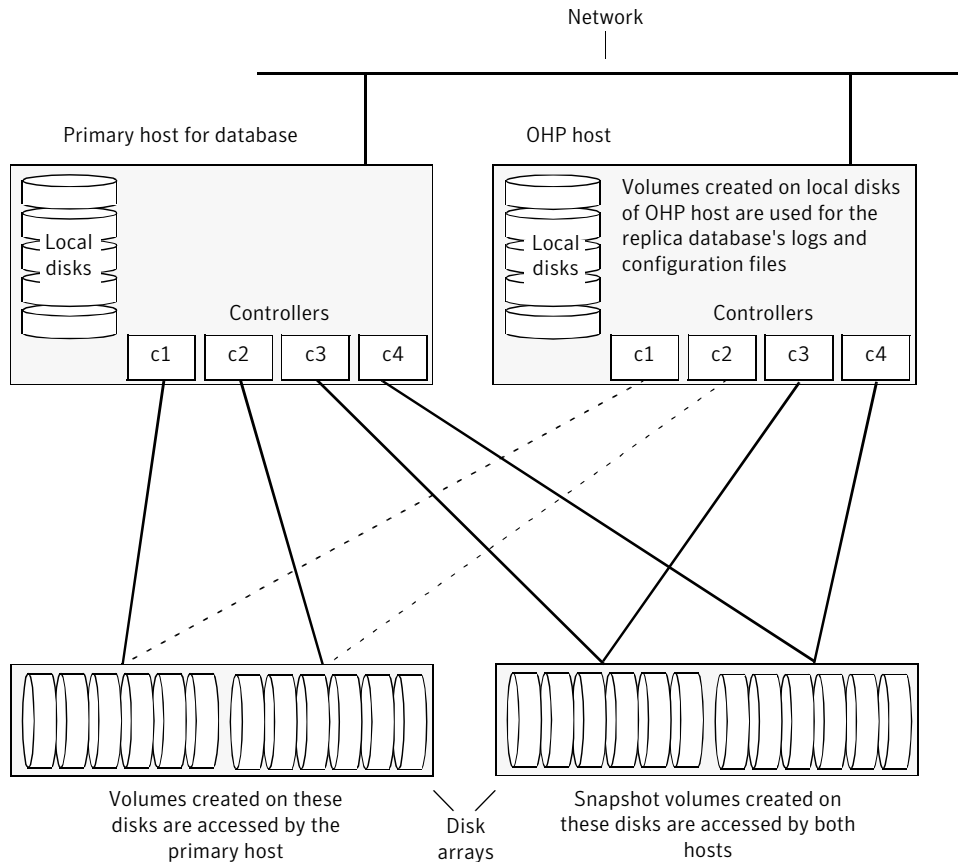
Creating an off-host replica database

Figure 9-2 shows an example where the primary database volumes to be backed up, `dbase_vol` and `dbase_logs`, are configured on disks attached to controllers `c1` and `c2`, and the snapshots are to be created on disks attached to controllers `c3` and `c4`.

There is no requirement for the off-host processing host to have access to the disks that contain the primary database volumes.

Note: If the database is configured on volumes in a cluster-shareable disk group, it is assumed that the primary host for the database is the master node for the cluster. If the primary host is not also the master node, all VxVM operations on shared disk groups must be performed on the master node.

Figure 9-2 Example system configuration for off-host decision support



To set up a replica database to be used for decision support on another host

- Prepare the full-sized snapshot.
See [“Preparing a space-optimized snapshot for a database backup”](#) on page 88.
- Create snapshot mirrors for volumes containing VxFS file systems for database files to be backed up.
- Make the database replica.

- All commands require superuser (`root`) or equivalent privileges.

Setting up a replica database for off-host decision support

To set up a replica database for off-host decision support

- 1 If you have not already done so, prepare the off-host processing host to use the snapshot volume that contains the copy of the database tables. Set up any new database logs and configuration files that are required to initialize the database.
- 2 On the primary host, use the following command to make a full-sized snapshot, `snapvol`, of the tablespace volume by breaking off plexes from the original volume:

```
# vxsnap -g database_dg make \  
source=volume/newvol=snapvol/nmirror=N
```

The `nmirror` attribute specifies the number of mirrors, `N`, in the snapshot volume.

If the volume does not have any available plexes, or its layout does not support plex break-off, prepare an empty volume for the snapshot.

Then use the following command to create the snapshot:

```
# vxsnap -g database_dg make source=volume/snapvol=snapvol
```

If a database spans more than one volume, specify all the volumes and their snapshot volumes as separate tuples on the same line, for example:

```
# vxsnap -g database_dg make source=vol1/snapvol=svol1 \  
source=vol2/snapvol=svol2 source=vol3/snapvol=svol3
```

Note: This step sets up the snapshot volumes, and starts tracking changes to the original volumes.

When you are ready to create the replica database, proceed to step 3.

- 3 If the volumes to be backed up contain database tables in file systems, suspend updates to the volumes:

Sybase ASE from version 12.0 onward provides the Quiesce feature to allow temporary suspension of writes to a database. As the Sybase database administrator, put the database in quiesce mode by using a script such as that shown in the example.

```
#!/bin/ksh
#
# script: backup_start.sh
#
# Sample script to quiesce example Sybase ASE database.
#
# Note: The "for external dump" clause was introduced in Sybase
# ASE 12.5 to allow a snapshot database to be rolled forward.
# See the Sybase ASE 12.5 documentation for more information.

isql -Usa -Ppassword -SFMR <<!
quiesce database tag hold database1[, database2]... [for external dump]
go
quit
!
```

If you are using Sybase ASE 12.5, you can specify the `for external dump` clause to the `quiesce` command. This warm standby method allows you to update a replica database using transaction logs dumped from the primary database.

See [“Updating a warm standby Sybase ASE 12.5 database”](#) on page 140.

- 4 On the primary host, refresh the contents of the snapshot volumes from the original volume using the following command:

```
# vxsnap -g database_dg refresh snapvol source=vol \
  [snapvol2 source=vol2]... syncing=yes
```

The `syncing=yes` attribute starts a synchronization of the snapshot in the background.

For example, to refresh the snapshots `svol1`, `svol2` and `svol3`:

```
# vxsnap -g database_dg refresh svol1 source=vol1 \
  svol2 source=vol2 svol3 source=vol3
```

- 5 If you temporarily suspended updates to volumes in step 3, release all the tablespaces or databases from suspend, hot backup or quiesce mode:

As the Sybase database administrator, release the database from quiesce mode using a script such as that shown in the example.

```
#!/bin/ksh
#
# script: backup_end.sh
#
# Sample script to release example Sybase ASE database from
# quiesce mode.

isql -Usa -Ppassword -SFMR <<!
quiesce database tag release
go
quit
!
```

- 6 Use the following command to wait for the contents of the snapshot to be fully synchronous with the contents of the original volume:

```
# vxsnap -g database_dg syncwait snapvol1
```

For example, to wait for synchronization to finish for all the snapshots `svol1`, `svol2` and `svol3`, you would issue three separate commands:

```
# vxsnap -g database_dg syncwait svol1
# vxsnap -g database_dg syncwait svol2
# vxsnap -g database_dg syncwait svol3
```

Note: You cannot move a snapshot volume into a different disk group until synchronization of its contents is complete. You can use the `vxsnap print` command to check on the progress of synchronization.

- 7 On the primary host, use the following command to split the disks containing the snapshot volumes into a separate disk group, `snapvoldg`, from the original disk group, `database_dg`:

```
# vxdg split database_dg snapvoldgsnapvol ...
```

For example to split the snap volumes from `database_dg`:

```
# vxdg split database_dg snapvoldg svol1 svol2 svol3
```

- 8 On the primary host, deport the snapshot volume's disk group using the following command:

```
# vxdg deport snapvoldg
```

- 9 On the off-host processing host where the replica database is to be set up, use the following command to import the snapshot volume's disk group:

```
# vxdg import snapvoldg
```

- 10 VxVM will recover the volumes automatically after the disk group import unless it is set to not recover automatically. Check if the snapshot volume is initially disabled and not recovered following the split.

If a volume is in the DISABLED state, use the following command on the off-host processing host to recover and restart the snapshot volume:

```
# vxrecover -g snapvoldg -m snapvol ...
```

- 11 On the off-host processing host, for each snapshot volume containing tablespaces, check the file system that it contains, and mount the volume using the following commands:

```
# fsck -F vxfs /dev/vx/rdisk/diskgroup/snapvol  
# mount -F vxfs /dev/vx/dsk/diskgroup/snapvol  
  mount_point
```

For example, to check the file system in the snapshot volume `snap1_dbase_vol`, and mount it on `/rep/dbase_vol`:

```
# fsck -F vxfs /dev/vx/rdisk/snapvoldg/snap1_dbase_vol  
# mount -F vxfs /dev/vx/dsk/snapvoldg/snap1_dbase_vol \  
  /rep/dbase_vol
```


- 12 Copy any required log files from the primary host to the off-host processing host.

For a Sybase ASE database on the primary host, if you specified the `for external dump` clause when you quiesced the database, use the following `isql` command as the database administrator to dump the transaction log for the database:

```
dump transaction to dump_device with standby_access
```

Then copy the dumped transaction log to the appropriate database directory on the off-host processing host.

13 As the database administrator, start the new database:

For a Sybase ASE database, use a script such as that shown in the example.

```
#!/bin/ksh
#
# script: startdb.sh <list_of_database_volumes>
#
# Sample script to recover and start replica Sybase ASE
# database.

# Import the snapshot volume disk group.

vxdg import $snapvoldg

# Mount the snapshot volumes (the mount points must already
# exist).

for i in $*
do
    fsck -F vxfs /dev/vx/rdisk/$snapvoldg/snap_$i
    mount -F vxfs /dev/vx/dsk/$snapvoldg/snap_$i \
    ${rep_mnt_point}/${$i}
done

# Start the replica database.
# Specify the -q option if you specified the "for external
# dump" clause when you quiesced the primary database.
# See the Sybase ASE 12.5 documentation for more information.

/sybase/ASE-12_5/bin/dataserver \
[-q] \
-sdatabase_name \
-d /sybevm/master \
-e /sybase/ASE-12_5/install/dbasename.log \
-M /sybase

# Online the database. Load the transaction log dump and
# specify "for standby_access" if you used the -q option
# with the dataserver command.

isql -Usa -Ppassword -SFMR <<!
[load transaction from dump_device with standby_access
go]
```

```
online database database_name [for standby_access]
go
quit
!
```

If you are using the warm standby method, specify the `-q` option to the `datasever` command. Use the following `isql` commands to load the dump of the transaction log and put the database online:

```
load transaction from dump_device with standby_access
online database database_name for standby_access
```

If you are not using the warm standby method, use the following `isql` command to recover the database, roll back any uncommitted transactions to the time that the quiesce command was issued, and put the database online:

```
online database database_name
```

Resynchronizing the data with the primary host

This procedure describes how to resynchronize the data in a snapshot with the primary host.

To resynchronize a snapshot with the primary database

- 1 On the off-host processing host, shut down the replica database, and use the following command to unmount each of the snapshot volumes:

```
# umount mount_point
```

- 2 On the off-host processing host, use the following command to deport the snapshot volume's disk group:

```
# vxvg deport snapvoldg
```

- 3 On the primary host, re-import the snapshot volume's disk group using the following command:

```
# vxvg [-s] import snapvoldg
```

Note: Specify the `-s` option if you are reimporting the disk group to be rejoined with a shared disk group in a cluster.

- 4 On the primary host, use the following command to rejoin the snapshot volume's disk group with the original volume's disk group:

```
# vxdbg join snapvoldg database_dg
```

- 5 VxVM will recover the volumes automatically after the join unless it is set to not recover automatically. Check if the snapshot volumes are initially disabled and not recovered following the join.

If a volume is in the DISABLED state, use the following command on the primary host to recover and restart the snapshot volume:

```
# vxrecover -g database_dg -m snapvol
```

- 6 Use the steps in [Creating an off-host replica database](#) to resynchronize the snapshot and make the snapshot available at off-host processing host again.
The snapshots are now ready to be re-used for backup or for other decision support applications.

Updating a warm standby Sybase ASE 12.5 database

If you specified the `for external dump` clause when you quiesced the primary database, and you started the replica database by specifying the `-q` option to the `dataserver` command, you can use transaction logs to update the replica database.

To update the replica database

- 1 On the primary host, use the following `isql` command to dump the transaction log for the database:

```
dump transaction to dump_device with standby_access
```

Copy the transaction log dump to the appropriate database directory on the off-host processing host.

- 2 On the off-host processing host, use the following `isql` command to load the new transaction log:

```
load transaction from dump_device with standby_access
```

- 3 On the off-host processing host, use the following `isql` command to put the database online:

```
online database database_name for standby_access
```

Reattaching snapshot plexes

Some or all plexes of an instant snapshot may be reattached to the specified original volume, or to a source volume in the snapshot hierarchy above the snapshot volume.

Note: This operation is not supported for space-optimized instant snapshots.

By default, all the plexes are reattached, which results in the removal of the snapshot. If required, the number of plexes to be reattached may be specified as the value assigned to the `nmirror` attribute.

Note: The snapshot being reattached must not be open to any application. For example, any file system configured on the snapshot volume must first be unmounted.

To reattach a snapshot

- ◆ Use the following command, to reattach some or all plexes of an instant snapshot to the specified original volume, or to a source volume in the snapshot hierarchy above the snapshot volume:

```
# vxsnap [-g diskgroup] reattach snapvol source=vol \  
[nmirror=number]
```

For example the following command reattaches 1 plex from the snapshot volume, `snapmyvol`, to the volume, `myvol`:

```
# vxsnap -g mydg reattach snapmyvol source=myvol nmirror=1
```

While the reattached plexes are being resynchronized from the data in the parent volume, they remain in the `SNAPTMP` state. After resynchronization is complete, the plexes are placed in the `SNAPDONE` state.

What is off-host processing?

Off-host processing consists of performing operations on application data on a host other than the one where the application is running. Typical operations include Decision Support Systems (DSS) and backup. In a VVR environment, off-host processing operations can be performed on the Secondary of the Replicated Data Set. This reduces the load on the application server, the Primary.

The model for data access on the Secondary is that you break off a mirror from each data volume in the RVG, perform the operation on the mirror, and then reattach the mirror while replication is in progress.

About using VVR for off-host processing

This chapter explains how to use Veritas Volume Replicator (VVR) for off-host processing on the Secondary host. You can use the In-Band Control (IBC) Messaging feature with the FastResync (FMR) feature of Veritas Volume Manager (VxVM) and its integration with VVR to take application-consistent snapshots at the replicated volume group (RVG) level. This lets you perform off-host processing on the Secondary host.

This chapter explains how to perform off-host processing operations using the `vradmin ibc` command. You can also use the `vxibc` commands to perform off-host processing operations.

Creating and refreshing test environments

This chapter includes the following topics:

- [About test environments](#)
- [Creating a test environment](#)
- [Refreshing a test environment](#)

About test environments

Sometimes, there is a need to do some testing or development on a copy of production data. In such scenarios, it is essential to provide isolation of these environments from the production environment. This is required so that there is no interference of testing or development environments with production environment. Veritas Storage Foundation can provide a very efficient and cost effective mechanism to create multiple test setups at the same time from a copy of production data. This is done without affecting performance of the production application, at the same time providing complete isolation.

Creating a test environment

Before you set up a test or development environment, you must have a production application volume already created in the application disk group.

To prepare for a test environment

- ◆ Prepare the application data volume(s) for snapshot operation

```
# vxsnap -g appdg prepare appvol
```

To create a test environment

- 1 Identify disks to create break-off snapshots. These disks need not be from the same array as the application volume. These disks must be visible to the host that will run test/dev environment.
- 2 Use these disks to create a mirror breakoff snapshot:
 - Add the mirror to create a breakoff snapshot. This step copies application volume data into the new mirror added to create the snapshot.

```
# vxsnap -g appdg addmir appvol alloc=<sdisk1,sdisk2,...>
```

- Create a snapshot.

```
# vxsnap -g appdg make src=appvol/nmirror=1/new=snapvol
```

- 3 Split the diskgroup containing the mirror breakoff snapshot.

```
# vxdg split appdg testdevdg snapvol
```

- 4 Deport the diskgroup from the production application host

```
# vxdg deport testdevdg
```

- 5 Import the *testdev* disk group on the host that will run the test environment.

```
# vxdg import testdevdg
```

Once this step is done, the *snapvol* present in the *testdevdg* disk group is ready to be used for testing or development purposes. If required, it is also possible to create multiple copies of *snapvol* using Veritas Storage Foundation's Flashsnap feature by creating a snapshot of *snapvol* using method described above.

Refreshing a test environment

Periodically, it may be required to resynchronize the test or development environment with current production data. This can be efficiently achieved using the Flashsnap feature of Storage Foundation and High Availability Solutions products.

To refresh a test environment

- 1 Deport the *testdevdg* disk group from the test environment. This step requires stopping the usage of *snapvol* in the test environment.

```
# vxdg deport testdevdg
```

- 2 Import *testdevdg* into the production environment.

```
# vxdg import testdevdg
```

- 3 Reattach the *snapvol* to *appvol* in order to synchronize current production data. Note that this synchronization is very efficient since it copies only the changed data.

```
# vxsnap -g appdg snapvol source=appvol
```

- 4 When you need to setup the *testdevdg* environment again, recreate the break-off snapshot.

```
# vxsnap -g appdg make src=appvol/nmirror=1/new=snapvol
```

- 5 Split the diskgroup containing the mirror breakoff snapshot.

```
# vxdg split appdg testdevdg snapvol
```

- 6 Deport the diskgroup from the production application host

```
# vxdg deport testdevdg
```

- 7 Import the *testdev* disk group on the host that will run the test environment.

```
# vxdg import testdevdg
```

Once this step is done, the *snapvol* present in *testdevdg* is ready to be used for testing or development purposes.

You can also create further snapshots of *snapvol* in order to create more test or development environments using the same snapshot. For this purpose, the following mechanisms can be used:

- Mirror breakoff snapshots
See [“Preparing a full-sized instant snapshot for a backup”](#) on page 86.
- Space-optimized snapshot
See [“Preparing a space-optimized snapshot for a database backup”](#) on page 88.
- Veritas File System Storage Checkpoints

See [“Creating Storage Checkpoints”](#) on page 111.

For more detailed information, see the *Veritas Storage Foundation™ Administrator's Guide*

Creating point-in-time copies of files

This chapter includes the following topics:

- [Using FileSnaps to create point-in-time copies of files](#)

Using FileSnaps to create point-in-time copies of files

The key to obtaining maximum performance with FileSnaps is to minimize the copy-on-write overhead. You can achieve this by enabling lazy copy-on-write. Lazy copy-on-write is easy to enable and usually results in significantly better performance. If lazy copy-on-write is not a viable option for the use case under consideration, an efficient allocation of the source file can reduce the need of copy-on-write.

Using FileSnaps to provision virtual desktops

Virtual desktop infrastructure (VDI) operating system boot images are a good use case for FileSnaps. The parts of the boot images that can change are user profile, page files (or swap for UNIX/Linux) and application data. You should separate such data from boot images to minimize unsharing. You should allocate a single extent to the master boot image file.

Example of using FileSnaps to provision a virtual desktop

The following example uses a 4 GB master boot image that has a single extent that will be shared by all snapshots.

```
# touch /vdi_images/master_image
# /opt/VRTS/bin/setext -r 4g -f chgsize /vdi_images/master_image
```

The `master_image` file can be presented as a disk device to the virtual machine for installing the operating system. Once the operating system is installed and configured, the file is ready for snapshots.

Using FileSnaps to optimize write intensive applications for virtual machines

When virtual machines are spawned to perform certain tasks that are write intensive, a significant amount of unsharing can take place. Symantec recommends that you optimize performance by enabling lazy copy-on-write. If the use case does not allow enabling lazy copy-on-write, with careful planning, you can reduce the occurrence of unsharing. The easiest way to reduce unsharing is to separate the application data to a file other than the boot image. If you cannot do this due to the nature of your applications, then you can take actions similar to the following example.

Example of using FileSnaps to optimize write intensive applications

Assume that the disk space required for a boot image and the application data is 20 GB. Out of this, only 4 GB is used by the operating system and the remaining 16 GB is the space for applications to write. Any data or binaries that are required by each instance of the virtual machine can still be part of the first 4 GB of the shared extent. Since most of the writes are expected to take place on the 16 GB portion, you should allocate the master image in such a way that the 16 GB of space is not shared, as shown in the following commands:

```
# touch /vdi_images/master_image
# /opt/VRTS/bin/setext -r 4g -f chgsize /vdi_images/master_image
# dd if=/dev/zero of=/vdi_images/master_image seek=16777215 \
bs=1024 count=1
```

The last command creates a 16 GB hole at the end of the file. Since holes do not have any extents allocated, the writes to hole do not need to be unshared.

Using FileSnaps to create multiple copies of data instantly

It is common to create one or more copies of production data for the purpose of generating reports, mining, and testing. These cases frequently update the copies of the data with the most current data, and one or more copies of the data always exists. FileSnaps can be used to create multiple copies instantly. The application that uses the original data can see a slight performance hit due to the unsharing of data that can take place during updates. This slight impact on performance

can still be present even when all FileSnaps have been deleted. However, you rarely see all FileSnaps being deleted since these use cases usually have one or more copies at any given time.

4

Section

Maximizing storage utilization

- [Chapter 12. Optimizing storage tiering with SmartTier](#)

Optimizing storage tiering with SmartTier

This chapter includes the following topics:

- [About SmartTier](#)
- [About VxFS multi-volume file systems](#)
- [About VxVM volume sets](#)
- [About volume tags](#)
- [SmartTier use cases for Sybase](#)
- [Setting up a filesystem for storage tiering with SmartTier](#)
- [Relocating old archive logs to tier two storage using SmartTier](#)
- [Relocating inactive tablespaces or segments to tier two storage](#)
- [Relocating active indexes to premium storage](#)
- [Relocating all indexes to premium storage](#)

About SmartTier

SmartTier matches data storage with data usage requirements. After data matching, the data can then be relocated based upon data usage and other requirements determined by the storage or database administrator (DBA).

As more and more data is retained over a period of time, eventually, some of that data is needed less frequently. The data that is needed less frequently still requires a large amount of disk space. SmartTier enables the database administrator to manage data so that less frequently used data can be moved to slower, less

expensive disks. This also permits the frequently accessed data to be stored on faster disks for quicker retrieval.

Tiered storage is the assignment of different types of data to different storage types to improve performance and reduce costs. With SmartTier, storage classes are used to designate which disks make up a particular tier. There are two common ways of defining storage classes:

- Performance, or storage, cost class: The most-used class consists of fast, expensive disks. When data is no longer needed on a regular basis, the data can be moved to a different class that is made up of slower, less expensive disks.

- Resilience class: Each class consists of non-mirrored volumes, mirrored volumes, and n-way mirrored volumes.

For example, a database is usually made up of data, an index, and logs. The data could be set up with a three-way mirror because data is critical. The index could be set up with a two-way mirror because the index is important, but can be recreated. The redo and archive logs are not required on a daily basis but are vital to database recovery and should also be mirrored.

SmartTier is a VxFS feature that enables you to allocate file storage space from different storage tiers according to rules you create. SmartTier provides a more flexible alternative compared to current approaches for tiered storage. Static storage tiering involves a manual one-time assignment of application files to a storage class, which is inflexible over a long term. Hierarchical Storage Management solutions typically require files to be migrated back into a file system name space before an application access request can be fulfilled, leading to latency and run-time overhead. In contrast, SmartTier allows organizations to:

- Optimize storage assets by dynamically moving a file to its optimal storage tier as the value of the file changes over time
- Automate the movement of data between storage tiers without changing the way users or applications access the files
- Migrate data automatically based on policies set up by administrators, eliminating operational requirements for tiered storage and downtime commonly associated with data movement

Note: SmartTier is the expanded and renamed feature previously known as Dynamic Storage Tiering (DST).

SmartTier policies control initial file location and the circumstances under which existing files are relocated. These policies cause the files to which they apply to be created and extended on specific subsets of a file systems's volume set, known

as placement classes. The files are relocated to volumes in other placement classes when they meet specified naming, timing, access rate, and storage capacity-related conditions.

In addition to preset policies, you can manually move files to faster or slower storage with SmartTier, when necessary. You can also run reports that list active policies, display file activity, display volume usage, or show file statistics.

SmartTier leverages two key technologies included with Veritas Storage Foundation and High Availability Solutions: support for multi-volume file systems and automatic policy-based placement of files within the storage managed by a file system. A multi-volume file system occupies two or more virtual storage volumes and thereby enables a single file system to span across multiple, possibly heterogeneous, physical storage devices. For example the first volume could reside on EMC Symmetrix DMX spindles, and the second volume could reside on EMC CLARiiON spindles. By presenting a single name space, multi-volumes are transparent to users and applications. This multi-volume file system remains aware of each volume's identity, making it possible to control the locations at which individual files are stored. When combined with the automatic policy-based placement of files, the multi-volume file system provides an ideal storage tiering facility, which moves data automatically without any downtime requirements for applications and users alike.

In a database environment, the access age rule can be applied to some files. However, some data files, for instance are updated every time they are accessed and hence access age rules cannot be used. SmartTier provides mechanisms to relocate portions of files as well as entire files to a secondary tier.

To use SmartTier, your storage must be managed using the following features:

- VxFS multi-volume file system
- VxVM volume set
- Volume tags
- SmartTier management at the file level
- SmartTier management at the sub-file level

About VxFS multi-volume file systems

Multi-volume file systems are file systems that occupy two or more virtual volumes. The collection of volumes is known as a volume set, and is made up of disks or disk array LUNs belonging to a single Veritas Volume Manager (VxVM) disk group. A multi-volume file system presents a single name space, making the existence of multiple volumes transparent to users and applications. Each volume retains

a separate identity for administrative purposes, making it possible to control the locations to which individual files are directed.

This feature is available only on file systems meeting the following requirements:

- The minimum disk group version is 140.
- The minimum file system layout version is 7 for file level SmartTier.
- The minimum file system layout version is 8 for sub-file level SmartTier.

To convert your existing VxFS system to a VxFS multi-volume file system, you must convert a single volume to a volume set.

The VxFS volume administration utility (fsvoladm utility) can be used to administer VxFS volumes. The fsvoladm utility performs administrative tasks, such as adding, removing, resizing, encapsulating volumes, and setting, clearing, or querying flags on volumes in a specified Veritas File System.

See the `fsvoladm (1M)` manual page for additional information about using this utility.

About VxVM volume sets

Volume sets allow several volumes to be represented by a single logical object. Volume sets cannot be empty. All I/O from and to the underlying volumes is directed via the I/O interfaces of the volume set. The volume set feature supports the multi-volume enhancement to Veritas File System (VxFS). This feature allows file systems to make best use of the different performance and availability characteristics of the underlying volumes. For example, file system metadata could be stored on volumes with higher redundancy, and user data on volumes with better performance.

About volume tags

You make a VxVM volume part of a placement class by associating a volume tag with it. For file placement purposes, VxFS treats all of the volumes in a placement class as equivalent, and balances space allocation across them. A volume may have more than one tag associated with it. If a volume has multiple tags, the volume belongs to multiple placement classes and is subject to allocation and relocation policies that relate to any of the placement classes.

Warning: Multiple tagging should be used carefully.

A placement class is a SmartTier attribute of a given volume in a volume set of a multi-volume file system. This attribute is a character string, and is known as a volume tag.

SmartTier use cases for Sybase

Storage Foundation High Availability Solutions include SmartTier, a storage tiering feature which enables you to tier your data to achieve optimal use of your storage.

Example procedures illustrate the following use cases:

- Relocating archive logs older than 2 days to Tier-2 storage
- Relocating inactive tablespaces or segments to Tier-2 storage
- Relocating active indexes to Tier-0 storage
- Relocating all indexes to Tier-0 storage

Setting up a filesystem for storage tiering with SmartTier

In the use case examples, the following circumstances apply:

- The database containers are in the file system */DBdata*
- The database archived logs are in the file system */DBarch*

To create required filesystems for SmartTier

1 List the disks:

```
# vxdisk list

DEVICE          TYPE          DISK          GROUP         STATUS
fas30700_0     auto:cdsdisk  fas30700_0   ---          online thin
fas30700_1     auto:cdsdisk  fas30700_1   ---          online thin
fas30700_2     auto:cdsdisk  fas30700_2   ---          online thin
fas30700_3     auto:cdsdisk  fas30700_3   ---          online thin
fas30700_4     auto:cdsdisk  fas30700_4   ---          online thin
fas30700_5     auto:cdsdisk  fas30700_5   ---          online thin
fas30700_6     auto:cdsdisk  fas30700_6   ---          online thin
fas30700_7     auto:cdsdisk  fas30700_7   ---          online thin
fas30700_8     auto:cdsdisk  fas30700_8   ---          online thin
```

Assume there are 3 LUNs on each tier.

2 Create the disk group.

```
# Vxdg init DBdg fas30700_0 fas30700_1 fas30700_2 \
fas30700_3 fas30700_4 fas30700_5 fas30700_6 fas30700_7 \
fas30700_8
```

3 Create the volumes *datavol* and *archvol*.

```
# vxassist -g DBdg make datavol 200G alloc=fas30700_3,\
fas30700_4,fas30700_5
# vxassist -g DBdg make archvol 50G alloc=fas30700_3,\
fas30700_4,fas30700_5
```

Tag *datavol* and *archvol* as tier-1.

```
# vxassist -g DBdg settag datavol vxfs.placement_class.tier1
# vxassist -g DBdg settag archvol vxfs.placement_class.tier1
```

4 Create the Tier-0 volumes.

```
# vxassist -g DBdg make tier0_vol1 50G alloc=fas30700_0,\
fas30700_1,fas30700_2
# vxassist -g DBdg make tier0_vol2 50G alloc=fas30700_0,\
fas30700_1,fas30700_2
# vxassist -g DBdg settag tier0_vol1 vxfs.placement_class.tier0
# vxassist -g DBdg settag tier0_vol2 vxfs.placement_class.tier0
```

5 Create the Tier-2 volumes.

```
# vxassist -g DBdg make tier2_vol1 50G alloc= fas30700_6,\
fas30700_7,fas30700_8
# vxassist -g DBdg make tier2_vol2 50G alloc= fas30700_6,\
fas30700_7,fas30700_8
# vxassist -g DBdg settag tier2_vol1 vxfs.placement_class.tier2
# vxassist -g DBdg settag tier2_vol2 vxfs.placement_class.tier2
```

6 Convert *datavol* and *archvol* to a volume set.

```
# vxvset -g DBdg make datavol_mvfs datavol
# vxvset -g DBdg make archvol_mvfs archvol
```

7 Add the volumes *Tier-0* and *Tier-2* to *datavol_mvfs*.

```
# vxvset -g DBdg addvol datavol_mvfs tier0_vol1
# vxvset -g DBdg addvol datavol_mvfs tier2_vol1
```

8 Add the volume *Tier-2* to *archvol_mvfs*

```
# vxvset -g DBdg archvol_mvfs tier2_vol2
```

9 Make the file system and mount *datavol_mvfs* and *archvol_mvfs*.

```
# mkfs -F vxfs /dev/vx/rdisk/DBdg/datavol_mvfs
```

10 Mount the *DBdata* file system

```
# mount -F vxfs /dev/vx/dsk/DBdg/datavol_mvfs /DBdata
```

11 Mount the *DBarch* filesystem

```
# mount -F vxfs /dev/vx/dsk/DBdg/archvol_mvfs /DBarch
```

12 Migrate the database into the newly created, SmartTier-ready file system. You can migrate the database either by restoring from backup or copying appropriate files into respective filesystems.

See the database documentation for more information.

Relocating old archive logs to tier two storage using SmartTier

A busy database can generate few hundred gigabytes of archive logs per day. Restoring these archive logs from tape backup is not ideal because it increases database recovery time. Regulatory requirements could mandate that these archive logs be preserved for several weeks.

To save storage costs, you can relocate archive logs older than two days (for example) into tier two storage. To achieve this you must create a policy file, for example, `archive_policy.xml`.

Note: The relocating archive logs use case applies for Sybase environments.

To relocate archive logs that are more than two days old to Tier-2

1 Create a policy file. A sample XML policy file is provided below.

```
<?xml version="1.0"?>
<!DOCTYPE PLACEMENT_POLICY SYSTEM "/opt/VRTSvxfs/etc\
  /placement_policy.dtd">
<PLACEMENT_POLICY Version="5.0" Name="access_age_based">
  <RULE Flags="data" Name="Key-Files-Rule">
    <COMMENT>
      This rule deals with key files such as archive logs.
    </COMMENT>

    <SELECT Flags="Data">
      <COMMENT>
        You want all files. So choose pattern as '*'
      </COMMENT>
      <PATTERN> * </PATTERN>
    </SELECT>

    <CREATE>
      <ON>
        <DESTINATION>
          <CLASS> tier1 </CLASS>
        </DESTINATION>
      </ON>
    </CREATE>

    <RELOCATE>
      <TO>
        <DESTINATION>
          <CLASS> tier2 </CLASS>
        </DESTINATION>
      </TO>
      <WHEN>
        <ACCAGE Units="days">
          <MIN Flags="gt">2</MIN>
        </ACCAGE>
      </WHEN>
    </RELOCATE>

  </RULE>
</PLACEMENT_POLICY>
```

Notice the ACCAGE units in the WHEN clause.

- 2 To locate additional sample policy files, go to `/opt/VRTSvxfs/etc`.

The access age-based policy is appropriate for this use case. Pay attention to the `CREATE ON` and `RELOCATE TO` sections of the XML file.

To apply a policy file

- 1 As root, validate `archive_policy.xml`

```
# fsppadm validate /DBarch archive_policy.xml
```

- 2 If the validation process is not successful, correct the problem. Validate `archive_policy.xml` successfully before proceeding.

- 3 Assign the policy to `/DBarch` filesystem

```
# fsppadm assign /DBarch archive_policy.xml
```

- 4 Enforce the policy. The relocation of two day old archive logs happens when the enforcement step is performed. The policy enforcements must be done every day to relocate aged archive logs. This enforcement can be performed on demand as needed or by using a cron- like scheduler.

```
# fsppadm enforce /DBarch
```

Relocating inactive tablespaces or segments to tier two storage

It is general practice to use partitions in databases. Each partition maps to a unique tablespace. For example in a shopping goods database, the orders table can be partitioned into orders of each quarter. Q1 orders can be organized into `Q1_order_tbs segment`, Q2 order can be organized into `Q2_order_tbs`.

As the quarters go by, the activity on older quarter data decreases. By relocating old quarter data into Tier-2, significant storage costs can be saved. The relocation of data can be done when the database is online.

For the following example use case, the steps illustrate how to relocate Q1 order data into Tier-2 in the beginning of Q3. The example steps assume that all the database data is in the `/DBdata` filesystem.

To prepare to relocate Q1 order data into Tier-2 storage for Sybase

- 1 Obtain a list of datafiles belonging to segment *Q1_order_tbs*. System Procedures `sp_helpsegment` and `sp_helpdevice` can be used for this purpose.

```
sybsadmin$ sp_helpsegment Q1_order_tbs
```

Note: In Sybase terminology, a "tablespace" is same as a "segment."

- 2 Note down the device names for the segment *Q1_order_tbs*.
- 3 For each device name use the `sp_helpdevice` system procedure to get the physical path name of the datafile.

```
sybsadmin$ sp_helpdevice <device name>
```

- 4 Save all the datafile path names in *Q1_order_files.txt*

```
# cat Q1_order_files.txt
    NODE0000/Q1_order_file1.f
    NODE0000/Q1_order_file2.f
    ...
    NODE0000/Q1_order_fileN.f
```

To relocate Q1 order data into Tier-2

- 1 Prepare a policy XML file. For the example, the policy file name is *Q1_order_policy.xml*. Below is a sample policy.

This is policy is for unconditional relocation and hence there is no `WHEN` clause. There are multiple `PATTERN` statements as part of the `SELECT` clause. Each `PATTERN` selects a different file.

```
<?xml version="1.0"?>
<!DOCTYPE PLACEMENT_POLICY SYSTEM "/opt/VRTSvxfs/etc/\
placement_policy.dtd">
<PLACEMENT_POLICY Version="5.0" Name="selected files">
  <RULE Flags="data" Name="Key-Files-Rule">
    <COMMENT>
      This rule deals with key important files.
    </COMMENT>

    <SELECT Flags="Data">
      <DIRECTORY Flags="nonrecursive" > NODE0000</DIRECTORY>
      <PATTERN> Q1_order_file1.f </PATTERN>
      <PATTERN> Q1_order_file2.f </PATTERN>
      <PATTERN> Q1_order_fileN.f </PATTERN>
    </SELECT>

    <RELOCATE>
      <COMMENT>
        Note that there is no WHEN clause.
      </COMMENT>
      <TO>
        <DESTINATION>
          <CLASS> tier2 </CLASS>
        </DESTINATION>
      </TO>
    </RELOCATE>

  </RULE>
</PLACEMENT_POLICY>
```

- 2 Validate the policy *Q1_order_policy.xml*.

```
# fsppadm validate /DBdata Q1_order_policy.xml
```

- 3 Assign the policy.

```
# fsppadm assign /DBdata Q1_order_policy.xml
```

- 4 Enforce the policy.

```
# fsppadm enforce /DBdata
```

Relocating active indexes to premium storage

The database transaction rate depends upon how fast indexes can be accessed. If indexes reside on slow storage, the database transaction rate suffers. Tier-0 storage is generally too expensive to be practical to relocate the entire table data to Tier-0. Indexes are generally much smaller in size and are created to improve the database transaction rate, hence it is more practical to relocate active indexes to Tier-0 storage. Using SmartTier you can move active indexes to Tier-0 storage.

For the following telephone company database example procedure, assume the *call_details* table has an index *call_idx* on the column *customer_id*.

To prepare to relocate *call_idx* to premium storage for Sybase

- 1 Obtain a list of datafiles for the *call_idx* segment.

```
$ sybsadmin$ sp_helpsegment call_idx
```

- 2 Note down the device names for the segment *call_idx*.

- 3 For each device name use the *sp_helpdevice* system procedure to get the physical pathname of the datafile.

```
sybsadmin$ sp_helpdevice <device name>
```

- 4 Save all the datafile path names in *index_files.txt*.

```
# cat index_files.txt  
/SYBdata/NODE0000/IDX/call11.idx  
/SYBdata/NODE0000/IDX/call12.idx  
/SYBdata/NODE0000/IDX/call13.idx
```

To relocate *call_idx* to Tier-0 storage

1 Prepare the policy *index_policy.xml*.

Example policy:

```
<?xml version="1.0"?>
<!DOCTYPE PLACEMENT_POLICY SYSTEM "/opt/VRTSvxfs/etc/\
placement_policy.dtd">
<PLACEMENT_POLICY Version="5.0" Name="selected files">
  <RULE Flags="data" Name="Key-Files-Rule">
    <COMMENT>
      This rule deals with key important files.
    </COMMENT>

    <SELECT Flags="Data">
      <DIRECTORY Flags="nonrecursive" > NODE0000</DIRECTORY>
      <PATTERN> call*.idx </PATTERN>
    </SELECT>

    <RELOCATE>
      <COMMENT>
        Note that there is no WHEN clause.
      </COMMENT>
      <TO>
        <DESTINATION>
          <CLASS> tier0 </CLASS>
        </DESTINATION>
      </TO>
    </RELOCATE>

  </RULE>
</PLACEMENT_POLICY>
```

2 Assign and enforce the policy.

```
# fsppadm validate /DBdata index_policy.xml
# fsppadm assign /DBdata index_policy.xml
# fsppadm enforce /DBdata
```

Relocating all indexes to premium storage

It is a common practice for DBAs to name index files with some common extensions. For example, all index files are named with “.inx” extensions. If your

Tier-0 storage has enough capacity, you can relocate all indexes of the database to Tier-0 storage. You can also make sure all index containers created with this special extension are automatically created on Tier-0 storage by using the `CREATE` and `RELOCATE` clause of policy definition.

To relocate all indexes to Tier-0 storage

1 Create a policy such as the following example:

```
# cat index_policy.xml

<?xml version="1.0"?>
<!DOCTYPE PLACEMENT_POLICY SYSTEM "/opt/VRTSvxfs/etc/\
placement_policy.dtd">
<PLACEMENT_POLICY Version="5.0" Name="selected files">
  <RULE Flags="data" Name="Key-Files-Rule">
    <COMMENT>
      This rule deals with key important files.
    </COMMENT>

    <SELECT Flags="Data">
      <PATTERN> *.inx </PATTERN>
    </SELECT>

    <CREATE>
      <COMMENT>
        Note that there are two DESTINATION.
      </COMMENT>
      <ON>
        <DESTINATION>
          <CLASS> tier0 </CLASS>
        </DESTINATION>
        <DESTINATION>
          <CLASS> tier1</CLASS>
        </DESTINATION>
      </ON>
    </CREATE>

    <RELOCATE>
      <COMMENT>
        Note that there is no WHEN clause.
      </COMMENT>
      <TO>
        <DESTINATION>
          <CLASS> tier0 </CLASS>
        </DESTINATION>
      </TO>
    </RELOCATE>

  </RULE>
</PLACEMENT_POLICY>
```


- 2 To make sure file creation succeeds even if Tier-0 runs out of space, add two `ON` clauses as in the example policy in [1](#).
- 3 Assign and enforce the policy.

```
# fsppadm validate /DBdata index_policy.xml  
# fsppadm assign /DBdata index_policy.xml  
# fsppadm enforce /DBdata
```


Migrating data

- [Chapter 13. Understanding data migration](#)
- [Chapter 14. Offline migration from Solaris Volume Manager to Veritas Volume Manager](#)
- [Chapter 15. Online migration of a native file system to the VxFS file system](#)
- [Chapter 16. Migrating storage arrays](#)
- [Chapter 17. Migrating data between platforms](#)

Understanding data migration

This chapter includes the following topics:

- [Types of data migration](#)

Types of data migration

This section describes the following types of data migration:

- **Migrating data from Solaris Volume Manager to Storage Foundation using offline migration**
When you install Storage Foundation, you may already have some volumes that are controlled by the Solaris Volume Manager. You can preserve your data and convert these volumes to Veritas Volume Manager volumes. See [“About migration from Solaris Volume Manager”](#) on page 175.
- **Migrating data from a native file system to a Veritas File System (VxFS) file system using online migration**
See [“About online migration of a native file system to the VxFS file system”](#) on page 193.
- **Migrating data between platforms using Cross-platform Data Sharing (CDS)**
Storage Foundation lets you create disks and volumes so that the data can be read by systems running different operating systems. CDS disks and volumes cannot be mounted and accessed from different operating systems at the same time. The CDS functionality provides an easy way to migrate data between one system and another system running a different operating system.
- **Migrating data between arrays**
Storage Foundation supports arrays from various vendors. If your storage needs change, you can move your data between arrays.

See [“Migration between storage arrays using a Linux example”](#) on page 201.

Note: The procedures are different if you plan to migrate to a thin array from a thick array.

Offline migration from Solaris Volume Manager to Veritas Volume Manager

This chapter includes the following topics:

- [About migration from Solaris Volume Manager](#)
- [How Solaris Volume Manager objects are mapped to VxVM objects](#)
- [Overview of the conversion process](#)
- [Planning the conversion](#)
- [Preparing a Solaris Volume Manager configuration for conversion](#)
- [Setting up a Solaris Volume Manager configuration for conversion](#)
- [Converting from the Solaris Volume Manager software to VxVM](#)
- [Post conversion tasks](#)
- [Converting a root disk](#)

About migration from Solaris Volume Manager

Note: Migrating from Solaris Volume Manager to VxVM is not supported on Solaris 10 x64.

Veritas Volume Manager (VxVM) provides utilities that you can use to convert objects, file systems, and device partitions controlled by the Oracle Solaris Volume

Manager software (also known as Solstice Disk Suite™) to VxVM control. The tools convert all Solaris Volume Manager objects into VxVM objects and encapsulate the file systems and swap device partitions used by the Solaris Volume Manager software. The conversion happens in place. You do not need to copy data into temporary storage. After the conversion, the Solaris Volume Manager software is disabled and can be removed.

The conversion utilities have the following characteristics:

- The utilities are provided in the `VRTSvxvm` package.
- All objects under Solaris Volume Manager control are converted. The conversion commands have no partial conversion option.
- You must use the recommended root disk conversion procedure if you want to move only a root disk from under Solaris Volume Manager control to VxVM. See [“Converting a root disk”](#) on page 191.

Warning: You cannot use the conversion utilities in a mixed environment. Even if you move only the root disk from Solaris Volume Manager software to VxVM, you cannot later use the conversion utilities to move other Solaris Volume Manager objects to VxVM.

- The conversion cannot be done in a mixed environment, which is a system that has both Solaris Volume Manager metadevices and VxVM objects (disk groups, un-used plexes, etc).
- All file systems that are on a Solaris Volume Manager metadvice and that are listed in `/etc/vfstab` are put under VxVM control.
- A conversion retains the on-disk layouts of Solaris Volume Manager volumes and does not improve layouts as supported by VxVM.
- The conversion utilities do not allow a conversion to be reversed. Once the conversion process starts, the best way to return to the Solaris Volume Manager configuration is to restore it from backups.
- After the conversion process starts on RAID-5 volumes, the data in these volumes is reorganized. Returning RAID-5 volumes to Solaris Volume Manager control can be done only by restoring the Solaris Volume Manager configuration and the volume data from backups.
- If you are very familiar with Solaris Volume Manager software and VxVM, you may be able to reverse a conversion without performing a full Solaris Volume Manager restoration from backups. However, RAID-5 volumes must always be restored from backups because the conversion utilities always reorganize RAID-5 parity. To manually reverse a conversion, preserve all Solaris Volume

Manager configuration information that is required for its restoration. This includes output from `metastat -p` and `metadb` for every diskset, and `prtvtoc` output for all disks.

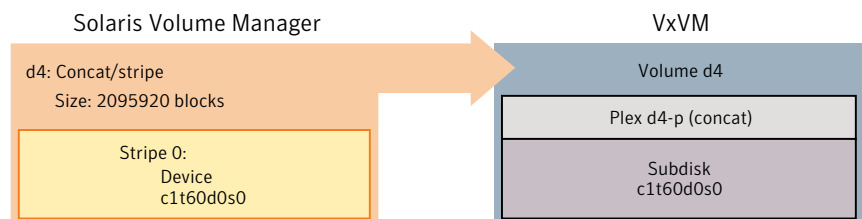
- Any partition that is on a disk with Solaris Volume Manager metadevices and that is not listed as a file system in `/etc/vfstab` is lost during the conversion. The partition is considered free space when the disk is converted to VxVM control. Even if the partitions are in use, they are not encapsulated during the conversion. The raw partitions are lost when the disk layout changes. Either encapsulate the partition under Solaris Volume Manager control and allow the conversion to convert the resulting metadvice, or back up the partition, plan to create a new volume for it, and restore the partition after the conversion.

How Solaris Volume Manager objects are mapped to VxVM objects

The following illustrations give examples of how the conversion process maps Solaris Volume Manager concat/stripe objects to VxVM objects. RAID-5 volumes and mirrors come through the conversion intact.

[Figure 14-1](#) shows a single Solaris Volume Manager partition encapsulated in a concat/stripe Solaris Volume Manager object.

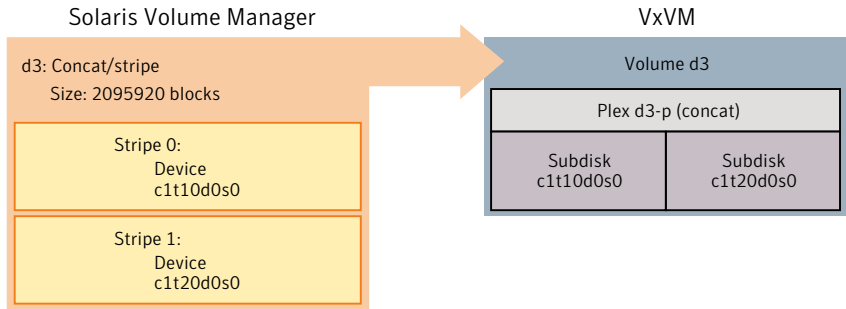
Figure 14-1 Single Solaris Volume Manager partition encapsulated in a concat/stripe Solaris Volume Manager object



The partition becomes a simple volume under VxVM.

[Figure 14-2](#) shows a number of one-partition Solaris Volume Manager stripes in a concat/stripe Solaris Volume Manager object.

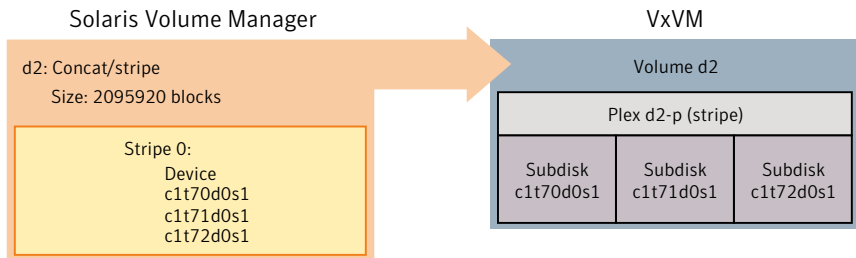
Figure 14-2 A number of one-partition Solaris Volume Manager stripes in a concat/stripe Solaris Volume Manager object



The stripes become a concat plex under VxVM.

[Figure 14-3](#) shows a single Solaris Volume Manager stripe with an arbitrary number of partitions in a concat/stripe Solaris Volume Manager object.

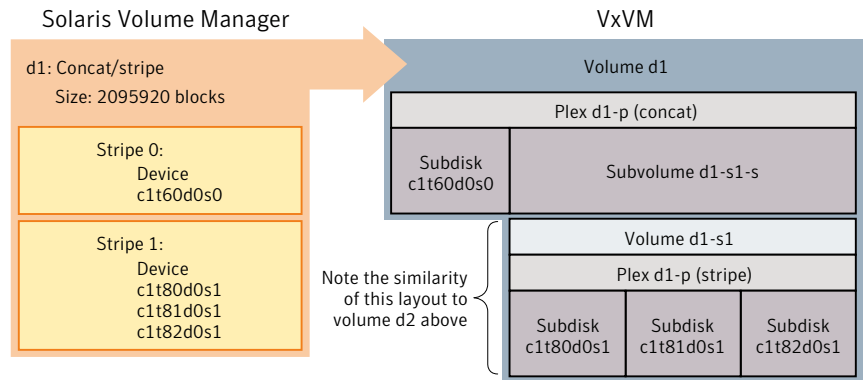
Figure 14-3 A single Solaris Volume Manager stripe with any number of partitions in a concat/stripe Solaris Volume Manager object



The partitions become a striped plex under VxVM.

[Figure 14-4](#) shows a Solaris Volume Manager concat/stripe object with a mix of stripes.

Figure 14-4 A Solaris Volume Manager concat/stripe object with a mix of stripes



Under VxVM, the stripes are concatenated and may require a layered volume.

Conversion of soft partitions

The provided utilities support the conversion of the following soft partition-based layouts:

- A simple soft partition on a disk slice with one or more extents.
[Figure 14-5](#) shows the conversion of such a layout.
 See [Figure 14-5](#) on page 180.
- Concat/Stripe on a soft partition on a disk slice with a single extent.
[Figure 14-6](#) shows the conversion of such a layout.
 See [Figure 14-6](#) on page 180.
- RAID-5 on a soft partition on a disk slice with a single extent.
- Concat/Stripe on a soft partition on a disk slice with multiple extents.

The utilities do not support the conversion of the following soft partition-based layouts:

- RAID-5 on soft partitions on a disk with multiple extents.
- Soft partition on a logical volume.

Figure 14-5 Simple soft partition on a disk slice with two extents

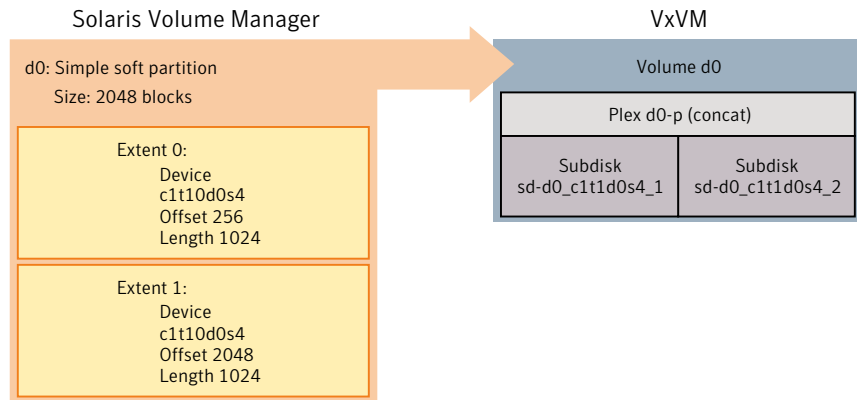
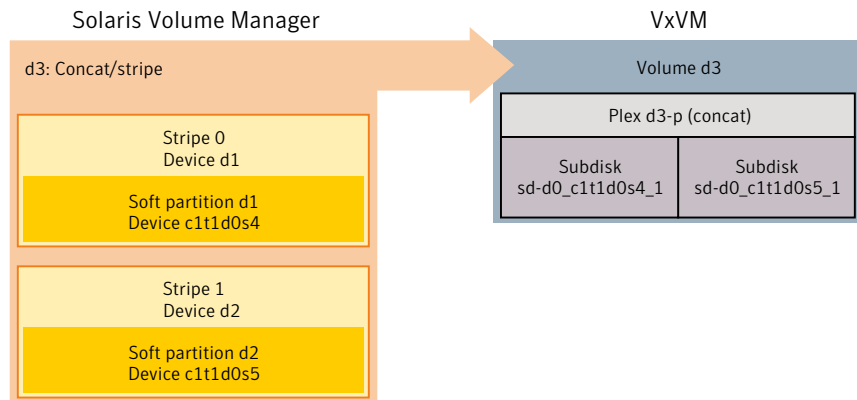


Figure 14-6 Concat/stripe Solaris Volume Manager object on a soft partition on a disk slice with a single extent



More information about soft partitions may be found in the Solaris documentation. See "[Check metadevices](#)" on page 184.

Overview of the conversion process

The conversion utilities allow you to do most of the preparation before starting the conversion, and before disrupting your system. To take advantage of this feature, read this entire manual and be familiar with the required tasks before starting the conversion from the Solaris Volume Manager configuration to VxVM.

The conversion utilities perform the following tasks:

- Planning and preparing for conversion.
See [“Plan and prepare for the conversion”](#) on page 181.
- Set up the conversion.
See [“Set up the conversion”](#) on page 181.
- Convert the volumes.
See [“Perform the conversion”](#) on page 182.
- Perform post conversion cleanup tasks.
See [“Perform post-conversion tasks”](#) on page 182.

Note: For a successful conversion, follow the steps in the given order.

Plan and prepare for the conversion

The tasks in this category can be done well before starting the actual conversion.

Plan the process and collect data for the conversion. The conversion may require changes to some Solaris Volume Manager metadevices.

See [“Check metadevices”](#) on page 184.

See [“Planning the conversion”](#) on page 182.

See [“Preparing a Solaris Volume Manager configuration for conversion”](#) on page 185.

Install the basic Veritas Volume Manager (without creating disk groups or objects and without initializing disks). The conversion utilities complete the VxVM setup with objects converted from Solaris Volume Manager software.

Set up the conversion

The tasks in this category should be done or updated just before starting the conversion. Information from the tasks in this category must be current when the conversion starts.

Use the `preconvert` utility to analyze the Solaris Volume Manager configuration and build a description for the VxVM conversion. You can run `preconvert` multiple times as it makes no changes to the Solaris Volume Manager configuration or file systems.

Run the `showconvert` utility to interpret `preconvert` output into a readable format. The `showconvert` output flags where changes must be made in the Solaris Volume Manager configuration for the conversion process to succeed. After making changes, run `preconvert` and `showconvert` again before starting the conversion.

Make backups of everything needed to restore the Solaris Volume Manager configuration.

See [“Setting up a Solaris Volume Manager configuration for conversion”](#) on page 186.

Perform the conversion

The first task in this category starts the conversion from Solaris Volume Manager software to VxVM. You have no easy way to return to a Solaris Volume Manager configuration once the conversion starts.

Run the `doconvert` utility to make the conversion. The `doconvert` utility relies on information from the `preconvert` utility.

Reboot the system. The reboot activates system configuration changes.

Change volume references in applications that use the volumes. VxVM uses volume names that are different than the names used by Solaris Volume Manager software. Every application that uses the Solaris Volume Manager volumes must be updated to use the new names.

See [“Converting from the Solaris Volume Manager software to VxVM”](#) on page 189.

Perform post-conversion tasks

After the `doconvert` utility performs a reboot of the system, the converted volumes and file systems are under the control of Veritas Volume Manager.

Use VxVM tools such as `vxassist` or the graphical user interface to improve the layout of volumes.

Remove or re-initialize the Solaris Volume Manager software for use on non-VxVM disks. After the conversion, the Solaris Volume Manager software is disabled and does not control any data. You can either remove the Solaris Volume Manager software or initialize the Solaris Volume Manager software with disks that are not used by VxVM. Both VxVM and the Solaris Volume Manager software can run on the same system.

See [“Post conversion tasks”](#) on page 190.

Planning the conversion

Before using any of the conversion utilities, you should consider how to schedule the steps in the process.

Scheduling considerations

The following preparation tasks can be done at any time before the conversion:

- Schedule downtime.
- Check and reconfigure Solaris Volume Manager metadevices.
- Identify references from applications to Solaris Volume Manager volumes.
- Install VxVM.

The setup tasks should be done just before starting the conversion. If you make changes to the Solaris Volume Manager configuration after doing the setup tasks, perform the following setup tasks again to update information used during the conversion:

- Run the `preconvert` utility.
- Run the `showconvert` utility.
- Make Solaris Volume Manager configuration changes if `showconvert` shows error messages.
- Re-run `preconvert` and `showconvert` if needed.
- Make Solaris Volume Manager backups.

The conversion tasks mark the point where you first make changes that cannot be reversed easily. The previous tasks of gathering information and reconfiguring the Solaris Volume Manager software (if needed) allow you to continue using the Solaris Volume Manager software with no disruption. Do the following conversion tasks as soon as possible one after the other:

- Run the `doconvert` utility.
- Reboot the system.
- Change volume references in applications.

After the conversion completes successfully, the following post-conversion tasks are optional and can be done at any time:

- Improve volume layouts.
- Remove or reinitialize the Solaris Volume Manager software.

Schedule downtime

A conversion includes downtime for applications using Solaris Volume Manager volumes during the `doconvert`, reboot, and change volume references tasks and downtime for the system during the reboot. A second reboot happens automatically

if a root device hosts Solaris Volume Manager objects or is a Solaris Volume Manager metadvice.

The `doconvert` utility takes about a minute unless the conversion includes RAID-5 volumes. RAID-5 conversions take about a minute for each megabyte of RAID-5 data. The total downtime to expect for a conversion is the sum of the following times:

- Approximately one minute to run `doconvert`.
- The time needed for one or two system reboots.
- Approximately one minute for each megabyte of RAID-5 data if RAID-5 volumes are included.
- The time needed for changing volume references in applications.

Check metadvice

Solaris Volume Manager metadvice may need changes before starting the conversion.

- Extended RAID-5 metadvice cannot be converted. A RAID-5 metadvice becomes extended when you add space after the device is first initialized. To find extended RAID-5 metadvice, use the `metastat -p` command of the Solaris Volume Manager software for each diskset. Look for RAID-5 devices in the output that have a `-o` option showing more original partitions than current partitions. The following example of output from `metastat -p` shows an extended metadvice:

```
d100 -r clt65d0s3 clt66d0s3 clt67d0s3 clt99d0s3 -k -i 32b -o 3
```

The example lists four partitions: 65, 66, 67, and 99. The `-o` entry shows the number of original partitions, three in this case.

Use either of the following options to deal with extended RAID-5 devices:

- Use the Solaris Volume Manager commands or the Solaris Volume Manager user interface to create a new metadvice large enough to contain all the data. Copy the data to the new metadvice.
- Dump the data from the metadvice to tape and restore it to a VxVM volume after the conversion process finishes.
- Metadvice using a hot spare cannot be converted. Use the `metastat` command of the Solaris Volume Manager software to identify metadvice that currently use hot spares. The following example of output from `metastat` shows a metadvice using a hot spare:


```

d3:Submirror of d51
  State: Okay
  Hot spare pool: hsp000
  Size 5922252 blocks
  Stripe 0:
  Device      Start Block      Dbase      State      Hot Spare
  clt75d0s1      0                No         Okay       clt66d0s6

```

With no hot spare in use, the “Hot Spare” column at the far right is empty.

Use either of the following options to deal with hot spares:

- Use the `metareplace` command of the Solaris Volume Manager software to move data from the hot spare onto the original partition (if there is room).
- Use the `metareplace` and `metahs` commands of the Solaris Volume Manager software to move the hot spare partition from the hot spare pool into the metadevice.

Identify references by applications

Find and list all references to Solaris Volume Manager metadevices from applications. The conversion utilities update `/etc/vfstab` with a new path for each metadevice that is converted to a VxVM volume. However, you must manually change references to Solaris Volume Manager metadevices in every application that uses a Solaris Volume Manager metadevice.

See “[Run convertname](#)” on page 187.

Preparing a Solaris Volume Manager configuration for conversion

The following preparation tasks can be done at any time before starting the conversion.

Installing VxVM

You must install Veritas Volume Manager before running the conversion utilities. Obtain the VxVM software and a full VxVM license key.

During the VxVM installation, do not run `vxinstall`. If required, you can use the `vxlicinst` command to install any license keys.

After installation, do not initialize any disks, and do not create any disk groups or VxVM objects.

The conversion process completes the VxVM installation and configuration.

Setting up a Solaris Volume Manager configuration for conversion

Do the setup tasks just before converting from the Solaris Volume Manager software to VxVM. If you make any changes between the setup tasks and the actual conversion, update the setup tasks.

Run `preconvert`

The `preconvert` utility analyzes the current Solaris Volume Manager configuration and builds a description for the new VxVM configuration. The `preconvert` utility does not make any changes to the Solaris Volume Manager configuration or to the host system. The description created by the `preconvert` utility must be current with the state of the Solaris Volume Manager software when the conversion process starts or the process will fail. Always run `preconvert` again if you make any changes to the Solaris Volume Manager configuration.

The `preconvert` utility has no options and uses no arguments:

```
# preconvert
```

Messages from `preconvert` appear on the screen and in a file that is used by the `showconvert` utility.

WARNING errors are for your information only and require no changes to the Solaris Volume Manager configuration.

FATAL errors mean that the conversion process will fail unless you make changes to the Solaris Volume Manager configuration. A **FATAL** error does not stop `preconvert` from examining the rest of the Solaris Volume Manager configuration. **FATAL** errors that do not make sense may be related to earlier **FATAL** errors. Correct the earlier **FATAL** errors and run `preconvert` again to see if the later errors still exist.

The following are possible causes of **FATAL** errors:

- A metadvice is being initialized or resynchronized.
- A disk is offline.
- The `/etc/vfstab` file contains incorrect entries.

- An extended RAID-5 metadevice exists.
- A metadevice is using a hot spare.

Run showconvert

The `showconvert` utility displays the `preconvert` conversion plan in a readable format. The command `showconvert help` gives a list of command options.

```
# showconvert keyword [arg ...]
```

The following keywords and arguments are defined for the `showconvert` command:

<code>log</code>	Displays error messages generated by the <code>preconvert</code> utility. All FATAL messages must be resolved and <code>preconvert</code> run again before the conversion process can run successfully.
<code>list [diskgroup ...]</code>	<p>Lists all the VxVM disk groups that will be created from Solaris Volume Manager disk sets and gives information about each disk group.</p> <p>These VxVM disk groups are not created to be compatible with CDS. Additionally, the disks in these disk groups are set up in <code>slice</code> and not <code>cds</code> format. To make the disk groups compatible with CDS, use the <code>vxcdsconvert</code> command.</p> <p>See the <code>vxcdsconvert(1M)</code> manual page.</p>
<code>print diskgroup [vxprint_args]</code>	Uses standard arguments from the VxVM <code>vxprint</code> utility and displays the VxVM objects that the conversion will create.

The conversion plan displayed by `showconvert` describes the layouts that the conversion utilities create. The layouts will have the same data on the same disks as the Solaris Volume Manager configuration. If you want different layouts, make changes to the Solaris Volume Manager configuration and run `preconvert` and `showconvert` again.

Run convertname

The `convertname` utility takes Solaris Volume Manager device paths as arguments (metadevice paths or raw disk paths) and returns the VxVM volume path for the device as it will show after the conversion. Use the command to make a list of path names for replacing references in applications. One or more device paths as

arguments returns one line for each argument with the proposed VxVM path. Use absolute path names. For example:

```
# convertname /dev/md/dsk/d2 /dev/md/rdisk/d3
```

Table 14-1 shows examples of how names are translated by the conversion process:

Table 14-1 Examples of the translation of device path names

Metadevice path	VxVM volume path
/dev/md/dsk/d2	/dev/vx/dsk/rootdg/d2
/dev/md/rdisk/d3	/dev/vx/rdisk/rootdg/d3
/dev/md/setname/dsk/d10	/dev/vx/dsk/setname/d10
/dev/md/setname/rdisk/d12	/dev/vx/rdisk/setname/d12

The following metadevices do not retain their dN names or are converted from raw partitions that did not have dN names:

- The volume for the root file system is always named `rootvol` as a VxVM convention.
- A trans metadevice has its data device converted using the master device name. The log device is lost.
- A file system encapsulated from a raw partition is named for the last component of its mount point.
- A swap device on a disk that will include VxVM volumes after the conversion receives a name starting with `swapvol`.
- The `/usr`, `/opt`, and `/var` file systems when converted from being Solaris Volume Manager metadevices or when encapsulated retain the names `/usr`, `/opt`, and `/var`.

Warning: Any partition that is on a disk with Solaris Volume Manager metadevices and that is not listed as a file system in `/etc/vfstab` is lost during the conversion. The partition is considered free space when the disk is converted to VxVM control. Even if the partitions are in use, they are not encapsulated during the conversion. The raw partitions are lost when the disk layout changes. Either encapsulate the partition under the Solaris Volume Manager software and allow the conversion to convert the resulting metadevice, or back up the partition, plan to create a new volume for it, and restore the partition after the conversion.

Make backups

Make backups of all Solaris Volume Manager software-related files and information before running the conversion utility. If you need to return to the Solaris Volume Manager configuration, using backups is the recommended way.

Converting from the Solaris Volume Manager software to VxVM

Warning: This is the first step that makes changes, and that is not easily reversed. Be sure that you are ready for the conversion before performing this step. This step also includes downtime for volume management and leads to a reboot for the system.

Run the `doconvert` utility to start the conversion from the Solaris Volume Manager software to VxVM. A manual reboot of the system completes the conversion by updating configuration changes that were made by `doconvert`.

```
# doconvert [force]
```

The `doconvert` utility checks that the VxVM licenses are correct, makes configuration changes, and then prompts for a system reboot. You must reboot the system immediately to complete the conversion process. If you run `doconvert` with the `force` option, the system is automatically rebooted without prompting you.

Warning: Do not make system configuration changes after running `doconvert` and before rebooting. Such changes can lead to loss of data.

If you choose not to reboot, the location of a script is given that allows you to reverse the changes to the system files made by `doconvert`. If you run this script, the system files are reinstated and the conversion is prevented from completing at the next reboot.

If `doconvert` fails, the system remains unchanged. You can then return to the preparation steps to correct the problems. The following situations cause `doconvert` to fail:

- The output of `preconvert` does not exist or is stale.
- The `preconvert` utility terminated with an error.
- VxVM licenses are not sufficient for the planned VxVM configuration.

- A VxVM configuration already exists.

During the conversion, `doconvert` displays locations for some system file backups.

Reboot the system

Reboot the system immediately after `doconvert` finishes. During the reboot:

- If the system root device hosts Solaris Volume Manager objects or is a Solaris Volume Manager metadvice, the root device becomes a VxVM volume during the reboot. The process of making the root device a VxVM volume automatically starts a second reboot.
- If the system goes down, due to a power loss or other problem, the conversion process continues when the system boots again. Messages such as “Already exists...” appear for processes that completed before the system went down. These messages are harmless.

Change volume references

After the reboot, you must manually change references in applications that use Solaris Volume Manager metadvice. The references need to point to the new VxVM volumes.

See [“Identify references by applications”](#) on page 185.

See [“Run convertname”](#) on page 187.

Post conversion tasks

Do the following tasks at any time after a successful conversion.

Improve volume layouts

Start VxVM and use tools such as `vxassist` or the VxVM user interface to relayout volumes online. New layouts may require additional disk space.

You may want to create logs for converted RAID-5 volumes. RAID-5 logging from the Solaris Volume Manager configuration is not suitable for conversion to use by VxVM. Logs are not necessary for normal operations, but are useful for recovery. Use the following command to create a log for a RAID-5 volume:

```
# vxassist [-g diskgroup] addlog volume
```

Remove the Solaris Volume Manager software

After the conversion, the Solaris Volume Manager software controls no data and is disabled. You can safely remove the Solaris Volume Manager software or you can re-initialize the Solaris Volume Manager software for use on disks not controlled by VxVM. The Solaris Volume Manager software and VxVM can run at the same time on the same machine.

Converting a root disk

The following steps allow you to move only a root disk from Solaris Volume Manager control to VxVM control. Use this procedure if you want to move only the root disk from the Solaris Volume Manager software to VxVM.

Warning: You cannot use the conversion utilities in a mixed environment. Even if you move only the root disk from the Solaris Volume Manager software to VxVM, you cannot later use the conversion utilities to move other Solaris Volume Manager objects to Veritas Volume Manager.

To convert a root disk

- 1 Use the Solaris Volume Manager unencapsulation procedure to remove the root disk from Solaris Volume Manager control. See the Solaris Volume Manager documentation for details.
- 2 Create VxVM volumes from the partitions on the root disk by encapsulating the root disk.

Online migration of a native file system to the VxFS file system

This chapter includes the following topics:

- [About online migration of a native file system to the VxFS file system](#)
- [Administrative interface for online migration of a native file system to the VxFS file system](#)
- [Migrating a native file system to the VxFS file system](#)
- [Migrating a source file system to the VxFS file system over NFS v3](#)
- [Backing out an online migration of a native file system to the VxFS file system](#)
- [VxFS features not available during online migration](#)

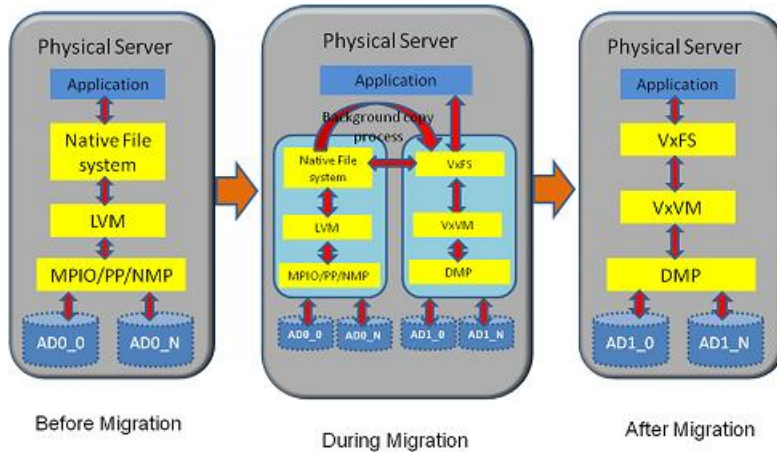
About online migration of a native file system to the VxFS file system

The online migration feature provides a method to migrate a native file system to the VxFS file system. The native file system is referred to as source file system and the VxFS file system as referred to as the target file system. The migration takes minimum amounts of clearly bounded, easy to schedule downtime. Online migration is not an in-place conversion and requires a separate storage. During online migration the application remains online and the native file system data is copied over to the VxFS file system. Both of the file systems are kept in sync during migration. This makes online migration back-out and recovery seamless.

The online migration tool also provides an option to throttle the background copy operation to speed up or slow down the migration based on your production needs.

Figure 15-1 illustrates the overall migration process.

Figure 15-1 Migration process



You can migrate UFS and ZFS file systems.

Administrative interface for online migration of a native file system to the VxFS file system

Online migration of a native file system to the VxFS file system can be started using the `fsmigadm` VxFS administrative command.

Table 15-1 describes the `fsmigadm` keywords.

Table 15-1

Keyword	Usage
<code>analyze</code>	Analyzes the source file system that is to be converted to VxFS and generates an analysis report.
<code>start</code>	Starts the migration.
<code>list</code>	Lists all ongoing migrations.
<code>status</code>	Shows a detailed status of the migration, including the percentage of completion, for the specified file system, or for all file systems under migration.

Table 15-1 (continued)

Keyword	Usage
throttle	Throttles the background copy operation.
pause	Pauses the background copy operation for one or more of migrations.
resume	Resumes the background copy operation if the operation was paused or the background copy operation was killed before the migration completed.
commit	Commits the migration.
abort	Aborts the migration.

See the `fsmigadm(1M)` manual page.

Migrating a native file system to the VxFS file system

The following procedure migrates a native file system to the VxFS file system.

Note: You cannot unmount the target (VxFS) file system nor the source file system after you start the migration. Only the commit or abort operation can unmount the target file system. Do not force unmount the source file system; use the abort operation to stop the migration and unmount the source file system.

To migrate a native file system to the VxFS file system

- 1 Install Veritas Storage Foundation on the physical application host.
 See the *Veritas Storage Foundation Installation Guide*.
- 2 Add new storage to the physical application host on which you will configure Veritas Volume Manager (VxVM).
- 3 Create a VxVM volume according to the your desired configuration on the newly added storage. The volume size cannot be less than source file system size.
- 4 Mount the source file system if the file system is not mounted already.
- 5 Run the `fsmigadm analyze` command and ensure that all checks pass:


```
# fsmigadm analyze /dev/vx/dsk/dg/vol1 /mnt1
```
- 6 If the application is online, then shut down the application.
- 7 Start the migration by running `fsmigadm start`:

```
# fsmigadm start /dev/vx/dsk/vol1 /mnt1
```

The `fsmigadm` command performs the following tasks:

- Unmounts the source file system.
- Creates a VxFS file system using the `mkfs` command on the new storage provided, specifying the same block size (*bsize*) as the source file system. You can use the `-b blocksize` option with `fsmigadm start` to specify your desired supported VxFS block size.
- Mounts the target file system.
- Mounts the source file system inside the target file system, as `/mnt1/lost+found/srcfs`.

You can perform the following operations during the migration on the target VxFS file system:

- You can get the status of the migration using the `fsmigadm status` command:

```
# fsmigadm status /mnt1
```

- You can speed up or slow down the migration using the `fsmigadm throttle` command:

```
# fsmigadm throttle 9g /mnt1
```

- You can pause the migration using `fsmigadm pause` command:

```
# fsmigadm pause /mnt1
```

- You can resume the migration using the `fsmigadm resume` command:

```
# fsmigadm resume /mnt1
```

The application can remain online throughout the entire migration operation. When the migration operation completes, you are alerted via the system log.

Both the target and the source file systems are kept up-to-date until the migration is committed.

- 8 While the migration operation proceeds, you can bring the application online.
- 9 Check the log file for any errors during migration. If you find any errors, you must copy the indicated files manually from the source file system after performing the commit operation.

- 10 After the migration operation completes, if you brought the application online while the migration operation proceeded, then shut down the application again.
- 11 Commit the migration:

```
# fsmigadm commit /mnt1
```

The `fsmigadm` command unmounts the source file system, unmounts the target file system, and then remounts the migrated target VxFS file system on the same mount point.
- 12 Start the application on the Veritas Storage Foundation stack.

Migrating a source file system to the VxFS file system over NFS v3

When you migrate a file system over NFS v3, the NFS server exports the file system to the server's NFS clients. During the migration, only a single NFS client can mount the exported file system. The application on the host is only available on this NFS client node during migration.

The following procedure migrates a source file system to the VxFS file system over NFS v3.

Note: You cannot unmount the target (VxFS) file system nor the source file system after you start the migration. Only the commit or abort operation can unmount the target file system. Do not force unmount the source file system; use the abort operation to stop the migration and unmount the source file system.

Do not modify the exported file system from the NFS server during the migration.

To migrate a source file system to the VxFS file system over NFS v3

- 1 Install Veritas Storage Foundation on the physical application host.
See the *Veritas Storage Foundation Installation Guide*.
- 2 Add new storage to the physical application host on which you will configure Veritas Volume Manager (VxVM).
- 3 Create a VxVM volume according to your desired configuration on the newly added storage. The volume size cannot be less than source file system size.

- 4 Mount the source file system if the file system is not mounted already.

```
# mount -F nfs3 -overs=3 fs1:/dump /mnt1
# mount -p
...
fs1:/dump - /mnt1 nfs - no vers=3,xattr
...
```

The source file system to be migrated is exported from NFS server, and the source file system is mounted on a single NFS client. The migration runs on this NFS client.

- 5 Run the `fsmigadm analyze` command and ensure that all checks pass:

```
# fsmigadm analyze /dev/vx/rdisk/s03dg/vol1 /mnt1
```

- 6 If the application is online, then shut down the application.

- 7 Start the migration by running `fsmigadm start`:

```
# fsmigadm start /dev/vx/rdisk/s03dg/vol1 /mnt1
# mount -p
/dev/vx/dsk/s03dg/vol1 - /mnt1 vxfs - no rw,suid,delaylog,largefiles,
                                ioerror=mwdisable,xattr,migrate
fs1:/dump - /mnt1/lost+found/srcfs nfs - no vers=3,xattr
```

- 8 While the migration operation proceeds, you can bring the application online.

- 9 Check the log file for any errors during migration. If you find any errors, you must copy the indicated files manually from the source file system after performing the commit operation.

- 10 After the migration operation completes, shut down the application.

- 11 Commit the migration:

```
# fsmigadm commit /mnt1
```

The `fsmigadm` command unmounts the source file system, unmounts the target file system, then mounts the target file system.

- 12 Start the application on the Veritas Storage Foundation stack.

Restrictions of NFS v3 migration

The following restrictions apply when you migrate over NFS v3:

- Migration over only NFS v3 is supported.

- The root directory must be exported from the NFS server to the NFS client.
- The source file system exported from the NFS Server to the NFS client must have 'root' and 'rw' permissions.
- The NFS server and the NFS client must be different nodes.

Backing out an online migration of a native file system to the VxFS file system

The following procedure backs out an online migration operation of a native file system to the VxFS file system.

Note: As both source and target file system are kept in sync during migration, the application sometimes experiences performance degradation.

In the case of a system failure, if the migration operation completed before the system crashed, then you are able to use the VxFS file system.

To back out an online migration operation of a native file system to the VxFS file system

- 1 Shut down the application
- 2 Abort the migration:

```
# fsmigadm abort /mnt1
```

The source file system is mounted again.

- 3 Bring the application online.

VxFS features not available during online migration

During the online migration process, the following features are not supported on a file system that you are migrating:

- Block clear (`blkclear`) mount option
- Cached Quick I/O
- Cross-platform data sharing (portable data containers)
- Data management application programming interface (DMAPI)
- File Change Log (FCL)
- File promotion (undelete)

- Fileset quotas
- Forced unmount
- Online resize
- Quick I/O
- Quotas
- Reverse name lookup
- SmartTier
- Snapshots
- Storage Checkpoints
- Veritas Storage Foundation Cluster File System (SFCFS)

During the online migration process, the following commands are not supported on a file system that you are migrating:

- `fiostat`
- `fsadm`
- `tar`
- `vxdump`
- `vxfreeze`
- `vxrestore`
- `vxupgrade`

All of the listed features and commands become available after you commit the migration.

Note: Any source file system-specific features are not preserved on the target file system.

You cannot use online migration on a nested source mount point.

You cannot migrate from a VxFS file system to a VxFS file system.

Migrating storage arrays

This chapter includes the following topics:

- [Migration between storage arrays using a Linux example](#)
- [Overview of storage mirroring for migration](#)
- [Allocating new storage](#)
- [Initializing the new disk](#)
- [Checking the current VxVM information](#)
- [Adding a new disk to the disk group](#)
- [Mirroring](#)
- [Monitoring](#)
- [Mirror completion](#)
- [Removing old storage](#)
- [Post-mirroring steps](#)

Migration between storage arrays using a Linux example

Veritas Storage Foundation and High Availability Solutions (SFHA Solutions) products provide enterprise-class software tools which enable companies to achieve data management goals which would otherwise require more expensive hardware or time-consuming consultative solutions.

For many organizations, both large and small, storage arrays tend to serve as useful storage repositories for periods of 3-6 years. Companies are constantly

evaluating new storage solutions in their efforts to drive down costs, improve performance and increase capacity. The flexibility of Storage Foundation and High Availability Solutions enable efficient migration to new storage and improve the overall availability of data.

The array migration example documented in this use case uses a Linux system. The array migration process would be similar for AIX, HP-UX, Solaris, or Windows systems, though some details would be different.

While there are several methods for accomplishing the migration, the most basic and traditional method is using a volume level mirror. The example procedures:

- Provide system administrators responsible for SFHA Solutions systems within their organization a demonstration of the steps required for performing an online storage array migration from one array to another.
- Illustrate the migration process using a Linux system which is connected to two different storage arrays through a SAN.
- Provide steps for starting with a file system with a single volume, mirroring the volume to a volume to another array, and then detaching the original storage.
- Are performed from the command prompt.
- Use Operating System Based Naming (OSN) for disk devices (sdb, sdc, etc).

There are two user interface options:

- The SFHA Solutions command line interface (CLI).
- The Veritas Operations Manager (VOM) graphical user interface (GUI) has a storage migration wizard.

See the Veritas Operations Manager documentation for details:

https://sort.symantec.com/public/documents/vom/4.0ru1/windowsandunix/productguides/pdf/vom_sp_addon_users.pdf

Note: Symantec's NetBackup PureDisk comes bundled with the Veritas Storage Foundation and High Availability Solutions software for the purpose of enhanced storage management and high availability. Storage arrays used with PureDisk can also be migrated using the SFHA Solutions methodologies.

Overview of storage mirroring for migration

The migration example occurs between a Hitachi 9900 array, 350 GB disk/LUN and a NetApps 3050 Fibre-Attached 199GB disk/LUN.

To migrate storage using storage mirroring

- 1 Connect the new array to the SAN.
- 2 Zone the array controller ports(s) to the server HBA port(s).
- 3 Create or present the new LUN(s) on the array.
- 4 Map the new LUN(s) to the server HBA port(s).
- 5 Stop any processes that are running on this volume or file system.
- 6 Rescan hardware using `rescan-scsi-bus.sh` and `scsidev` commands, or reboot (optional).
- 7 Confirm that the operating system has access to the new target storage (*Array-B*).
- 8 Bring new disks under Veritas Volume Manager (VxVM) control.
- 9 Start the VxVM mirroring process to synchronize the plexes between the source and target array enclosures.
- 10 Monitor the mirroring process.
- 11 After mirroring is complete, logically remove disks from VxVM control.

Note: The example Linux system happens to be running as a Symantec NetBackup Puredisk server which includes the Storage Foundation software. Puredisk also supports this mode of storage array migration.

- 12 Disconnect the old storage array (enclosure).

Allocating new storage

The first step to migrating array storage is to allocate new storage to the server.

To allocate new storage as in the example

- 1 Create the LUN(s) on the new array.
- 2 Map the new LUN(s) to the server.
- 3 Zone the new LUN(s) to the server.
- 4 Reboot or rescan using a native OS tool such as “fdisk” and the new external disk is now visible.

In the example, the original disk (`/dev/sdb`) has already been initialized by Veritas Volume Manager (VxVM). Note that it has a partition layout already established. Note also the different disk sizes. It may turn out that you want to use smaller or

larger LUNs. This is fine, but if you are going to mirror to a smaller LUN you will need to shrink the original volume so that it can fit onto the physical disk device or LUNs.

```

root@ny-puredisk: fdisk -l

Disk /dev/sda: 80.0 GB, 80026361856 bytes
255 heads, 63 sectors/track, 9729 cylinders
Units = cylinders of 16065 * 512 = 8225280 bytes

   Device Boot      Start         End      Blocks   Id  System
/dev/sda1 *           1           13        104391   83  Linux
/dev/sda2             14          1500     12586927+  82  Linux swap / Solaris
/dev/sda3            1581          9729     65456842+  83  Linux

Disk /dev/sdb: 375.0 GB, 375013308416 bytes
255 heads, 63 sectors/track, 45690 cylinders
Units = cylinders of 16065 * 512 = 8225280 bytes

   Device Boot      Start         End      Blocks   Id  System
/dev/sdb4             1         45683     366948666    5  Extended
/dev/sdb5             1             1         1165+    7f  Unknown
/dev/sdb6             1         45683     366947343    7e  Unknown

Disk /dev/sdc: 213.0 GB, 213676323840 bytes
255 heads, 63 sectors/track, 25978 cylinders
Units = cylinders of 16065 * 512 = 8225280 bytes

   Device Boot      Start         End      Blocks   Id  System
/dev/sdc4             1         25976     208652188+    5  Extended
root@ny-puredisk:

```

To shrink the original volume

- ◆ You can shrink the new volume size to n gigabytes:

```
# vxassist -g diskgroup_name shrinkto volume_name ng
```

Then resize the file system:

```
# /opt/VRTS/bin/fsadm -F vxfs -b new_size_in_sectors /Storage
```

Alternately, use the `vxresize` command to resize both the volume and the file system.

To grow the original volume

- ◆ You can increase the new volume size to n gigabytes:

```
# vxassist -g diskgroup_name growto volume_name ng
```

Then resize the file system:

```
# /opt/VRTS/bin/fsadm -F vxfs -b new_size_in_sectors /Storage
```

Alternately, use the `vxresize` command to resize both the volume and the file system.

Note: SmartMove enables you to migrate from thick array LUNs to thin array LUNs on those enclosures that support Thin Provisioning.

Initializing the new disk

Now that the operating system recognizes the new disk, the next step is to initialize it.

To initialize the disk as in the example

- ◆ Use the `vxdisksetup` command to establish the appropriate VxVM-friendly partition layout for Veritas Volume Manager.

Note below that the internal name `OLDDISK` is assigned to the old disk. The new disk is assigned a unique name later for the sake of clarity.

```
root@ny-puredisk:~# vxdisk list
DEVICE      TYPE      DISK      GROUP      STATUS
sda         auto:none -          -          online invalid
sdb         auto:sliced OLDDISK   PDDG       online
sdc         auto:none -          -          online invalid
root@ny-puredisk:~#
root@ny-puredisk:~#
root@ny-puredisk:~# /usr/lib/vxvm/bin/vxdisksetup -sdc
root@ny-puredisk:~# vxdisk list
DEVICE      TYPE      DISK      GROUP      STATUS
sda         auto:none -          -          online invalid
sdb         auto:sliced OLDDISK   PDDG       online
sdc         auto:none -          -          online invalid
root@ny-puredisk:~#
```

The disk is now initialized under VxVM control. Note below, that the disk has a new partition table similar to the existing disk (`sdb`) and is ready to be joined to the Veritas disk group `PDDG` (name of the example disk group).

```
root@ny-puredisk:~# fdisk -l /dev/sdc
Disk /dev/sdc: 213.6 GB, 213676323840 bytes
255 heads, 63 sectors/track, 25978 cylinders
Units = cylinders of 16065 * 512 = 8225280 bytes

   Device Boot      Start         End      Blocks   Id  System
/dev/sdc4             1         25976   208652180+    5  Extended
/dev/sdc5             1             1     1165+    7f  Unknown
/dev/sdc6             1         25976   208650865+    7e  Unknown
root@ny-puredisk:~#
```

Checking the current VxVM information

Check the VxVM information after initializing the new disk. The screen shot below illustrates all the disks on the server along with their corresponding partition tables. Note that disks *sdb* and *sdc* are partitioned in the same manner since they were both set up with the `vxdisksetup` command.

```

root@ny-puredisk: fdisk -l

Disk /dev/sda: 80.0 GB, 80026361856 bytes
255 heads, 63 sectors/track, 9729 cylinders
Units = cylinders of 16065 * 512 = 8225280 bytes

   Device Boot      Start         End      Blocks   Id  System
/dev/sda1 *          1           13        104391   83  Linux
/dev/sda2            14          1580     12586927+  82  Linux swap / Solaris
/dev/sda3           1581          9729     65456842+  83  Linux

Disk /dev/sdb: 375.8 GB, 375813308416 bytes
255 heads, 63 sectors/track, 45690 cylinders
Units = cylinders of 16065 * 512 = 8225280 bytes

   Device Boot      Start         End      Blocks   Id  System
/dev/sdb4            1          45683     366948666    5  Extended
/dev/sdb5            1           1         1165+     7f  Unknown
/dev/sdb6            1          45683     366947343    7e  Unknown

Disk /dev/sdc: 213.6 GB, 213676323840 bytes
255 heads, 63 sectors/track, 25978 cylinders
Units = cylinders of 16065 * 512 = 8225280 bytes

   Device Boot      Start         End      Blocks   Id  System
/dev/sdc4            1          25976     208652188+    5  Extended
/dev/sdc5            1           1         1165+     0  Empty
/dev/sdc6            1          25976     208650865+    0  Empty
root@ny-puredisk:
    
```

The screen shot below shows the VxVM hierarchy for existing storage objects. Remember that we are working with a live and running server. We are using a logical disk group called *PDDG* which has other storage objects subordinate to it. The most important storage object here is the volume which is called *Storage*. The volume name can be any arbitrary name that you want, but for this example, the volume name is “*Storage*”. The volume object is denoted by “v” in the output of the `vxprint` command. Other objects are subdisks (*sd*) which represents a single contiguous range of blocks on a single LUN. The other object here is a plex (“pl”) which represents the virtual object or container to which the OS reads and writes. In `vxprint`, the length values are expressed in sectors, which in Linux are 512 bytes each. The raw volume size is 377487360 sectors in length, or when multiplied by 512 bytes (512*377487360) is 193273528320 bytes, or about 193 GB(2).

Notice that when the new disk was added it was 213GB yet the original existing *Storage* volume was 250GB. The *Storage* volume had to first be shrunk to a size equal the same (or smaller) number of sectors as the disk to which it would be mirrored.

```

root@ny-puredisk:vxprint
Disk group: PDDG

TY NAME          ASSOC      KSTATE  LENGTH  PLOFFS  STATE  TUTILO
PUTIL0
dg PDDG          PDDG      -        -        -        -        -
dm OLDDISK       sdb       -        733894672 -        -        -
dm sdc           sdc       -        417301712 -        -        -

v Storage        fsngen    ENABLED  377487360 -        ACTIVE  -
pl Storage-02    Storage  ENABLED  377487360 -        ACTIVE  -
sd OLDDISK-01    Storage-02 ENABLED  377487360 0        -        -
root@ny-puredisk:vxedit -g PDDG rename sdc NEWDISK

```

To shrink a volume as in the example *Storage* volume

◆ Use the `vxresize` command:

```
# vxresize -f -t my-shrinktask -g PDDG Storage 193g
```

The original physical disk (“dm”) that has been grouped into the *PDDG* diskgroup is called *sdb* but we have assigned the internal name *OLDDISK* for the purpose of this example. This can be done with the `vxedit` command using the `rename` operand. We also see the new disk (*sdc*) under VxVM control. It has been initialized but not yet assigned to any disk group.

```

root@ny-puredisk:vxdisk list
DEVICE      TYPE          DISK      GROUP      STATUS
sda         auto:none    -         -         online invalid
sdb         auto:sliced  OLDDISK   PDDG      online
sdc         auto:none    -         -         online invalid
root@ny-puredisk:

```

Adding a new disk to the disk group

The next step is adding the new disk into the *PDDG* disk group and assigning the name of *NEWDISK* to the disk.

To add a new disk to the example disk group

- 1 Initialize the disk.
- 2 Add the disk into the *PDDG* disk group

```

root@ny-puredisk:~# vxedit init sdc
root@ny-puredisk:~# vxedit -g PDDG adddisk sdc

root@ny-puredisk:~# vxprint
Disk group: PDDG

```

TY NAME	ASSOC	KSTATE	LENGTH	PLOFFS	STATE	TUTILO	POTILO
dg PDDG	PDDG	-	-	-	-	-	-
dm OLDDISK	sdb	-	733894672	-	-	-	-
dm sdc	sdc	-	417301712	-	-	-	-
v Storage	fsgen	ENABLED	377487360	-	ACTIVE	-	-
pl Storage-02	Storage	ENABLED	377487360	-	ACTIVE	-	-
sd OLDDISK-01	Storage-02	ENABLED	377487360	0	-	-	-

The internal VxVM name of the new disk is changed from the default *disk* to *NEWDISK*.

```

root@ny-puredisk:~# vxedit -g PDDG rename sdc NEWDISK
root@ny-puredisk:~# vxprint
Disk group: PDDG

```

TY NAME	ASSOC	KSTATE	LENGTH	PLOFFS	STATE	TUTILO	POTILO
dg PDDG	PDDG	-	-	-	-	-	-
dm OLDDISK	sdb	-	733894672	-	-	-	-
dm NEWDISK	sdc	-	417301712	-	-	-	-
v Storage	fsgen	ENABLED	377487360	-	ACTIVE	-	-
pl Storage-02	Storage	ENABLED	377487360	-	ACTIVE	-	-
sd OLDDISK-01	Storage-02	ENABLED	377487360	0	-	-	-

Mirroring

The next step is to start the mirroring process. We used the `vxassist` command to transform the *Storage* volume from a simple, concatenated volume into a mirrored volume. Optionally, a DRL (Dirty Region Log) can be added to the volume. If enabled, the DRL speeds recovery of mirrored volumes after a system crash. It requires an additional 1 Megabyte of extra disk space.

```

root@ny-puredisk:~# /usr/sbin/vxassist -b -g PDDG mirror Storage layout=nostripe alloc=NEWDISK
root@ny-puredisk:~# vxprint
Disk group: PDDG

```

TY NAME	ASSOC	KSTATE	LENGTH	PLOFFS	STATE	TUTILO	POTILO
dg PDDG	PDDG	-	-	-	-	-	-
dm OLDDISK	sdb	-	733894672	-	-	-	-
dm NEWDISK	sdc	-	417301712	-	-	-	-
v Storage	fsgen	ENABLED	377487360	-	ACTIVE	ATT1	-
pl Storage-01	Storage	ENABLED	377487360	-	TEMPMED	ATT1	-
sd NEWDISK-01	Storage-01	ENABLED	377487360	0	-	-	-
pl Storage-02	Storage	ENABLED	377487360	-	ACTIVE	-	-
sd NEWDISK-01	Storage-02	ENABLED	377487360	0	-	-	-

To add a DRL as in the example *Storage* volume

- ◆ Use:

```
# vxassist -g PDDG addlog Storage logtype=drl
```

For more information about DRL logging, see the *Veritas Storage Foundation Administrator's Guide*

Monitoring

The mirroring process must complete before you can proceed. During this time there may be a heavy I/O load on the system as the mirroring process reads from one disk and writes to another.

To monitor the mirroring progress

- ◆ Use the `vxtask list` command.

Raw I/O statistics can also be monitored with the `vxstat` command. Mirroring should be done either during times of low demand on the server, or, optionally, to have the services stopped completely. While the initial synchronization is underway, the STATE of the new plex is still TEMPRMSD.

```
root@ny-puredisk:~# vxprint
Disk group: PDDG

TY NAME      ASSOC      KSTATE  LENGTH  PLOFFS  STATE  TUTILO  PUTILO
dg PDDG      PDDG      -       -       -       -       -       -
dn OLDDISK   sdb       -       733894672 -       -       -       -
dn NEWDISK   sdc       -       417301712 -       -       -       -

v Storage    isgen     ENABLED 377487360 -       ACTIVE  ATT1   -
pl Storage-01 Storage    ENABLED 377487360 -       TEMPRMSD ATT -
sd NEWDISK-01 Storage-01 ENABLED 377487360 0       -       -       -
pl Storage-02 Storage    ENABLED 377487360 -       ACTIVE  -      -
sd OLDDISK-01 Storage-02 ENABLED 377487360 0       -       -       -
```

To pause and resume mirroring

- ◆ Use the `vxtask` command.

To throttle the mirroring process and free up I/O if needed

- ◆ Use the `vxtask` command.

```
root@ny-puredisk:~# vxtask list
TASKID  PTID  TYPE/STATE  PCT  PROGRESS
128      ATCOPY/R  00.12%  0/377487360/449792  PLXATT Storage Storage-01 PDDG
```

The TEMPRMSD plex state is used by `vxassist` when attaching new data plexes to a volume. If the synchronization operation does not complete, the plex and its subdisks are removed.

See <http://www.symantec.com/docs/TECH19044>

Mirror completion

When the mirroring completes, you can see that the output from `vxprint` shows the volume now has two active plexes associated with it. This is the mirrored volume comprised of two plexes, each plex residing on separate physical storage arrays.

```

root@ny-puredisk:~# vxtask list
root@ny-puredisk:~# vxprint
Disk group: PDDG

```

TY	NAME	ASSOC	HSTATE	LENGTH	PLOFFS	STATE	TUTIL0	PUTIL0
dq	PDDG	PDDG	-	-	-	-	-	-
dm	OLDDISK	sdb	-	733894672	-	-	-	-
dm	NEWDISK	sdc	-	417301712	-	-	-	-
v	Storage	fsgen	ENABLED	377487360	-	ACTIVE	-	-
pl	Storage-01	Storage	ENABLED	377487360	-	ACTIVE	-	-
sd	NEWDISK-01	Storage-01	ENABLED	377487360	0	-	-	-
pl	Storage-02	Storage	ENABLED	377487360	-	ACTIVE	-	-
sd	OLDDISK-01	Storage-02	ENABLED	377487360	0	-	-	-

To confirm completion of the mirror task

- ◆ Use the `vxtask` command.

Removing old storage

After the mirroring process completes, you can remove the old storage.

To remove the old storage

- 1 Break the mirror.
- 2 Logically detach the old disk (*OLDDISK*, *sdb*).
- 3 Check the viability of the volume. Services do not need to be stopped during this phase.
- 4 Remove the old storage from the diskgroup.

```

root@ny-puredisk:~# vxdbg -g PDDG rmdisk OLDDISK
root@ny-puredisk:~# vxdisk list
DEVICE      TYPE      DISK      GROUP      STATUS
sda         auto:none -          -          online invalid
sdb         auto:sliced NEWDISK    PDDG       online
sdc         auto:sliced NEWDISK    PDDG       online

```

```

root@ny-puredisk:~# vxassist -g PDDG remove mirror Storage alloc=\!OLDDISK ←(note)
root@ny-puredisk:~# vxprint
Disk group: PDDG

```

TY	NAME	ASSOC	KSTATE	LENGTH	PLOFFS	STATE	TU1LO	POTILO
dg	PDDG	PDDG	-	-	-	-	-	-
dm	NEWDISK	sdc	-	417301712	-	-	-	-
dm	OLDDISK	sdb	-	733894672	-	-	-	-
v	Storage	fsген	ENABLED	377487360	-	ACTIVE	-	-
pl	Storage-01	Storage	ENABLED	377487360	-	ACTIVE	-	-
sd	NEWDISK-01	Storage-01	ENABLED	377487360	0	-	-	-

The use of the backslash is necessary to override the significance of "!" to the bash Shell which is the default shell for root user. Without the "\", the bash (or C Shell) command line interpreter would look for some history of command event.

Post-mirroring steps

The last step is to check on application services by running whatever utilities you have to ensure the applicatio is up. At some point, a reboot should be done at this point to ensure that the system properly starts and can access the disks during a reboot. No additional modifications need to be made to the file system mount table (etc/fstab, for example) since all storage, disk group, and volume object names remain unchanged.

Migrating data between platforms

This chapter includes the following topics:

- [Overview of the Cross-platform Data Sharing \(CDS\) feature](#)
- [CDS disk format and disk groups](#)
- [Setting up your system to use Cross-platform Data Sharing \(CDS\)](#)
- [Maintaining your system](#)
- [File system considerations](#)
- [Alignment value and block size](#)
- [Disk group alignment and encapsulated disks](#)
- [Disk group import between Linux and non-Linux machines](#)
- [Migrating a snapshot volume](#)

Overview of the Cross-platform Data Sharing (CDS) feature

This section presents an overview of the Cross-platform Data Sharing (CDS) feature of Symantec's Veritas Storage Foundation™ software. CDS provides you with a foundation for moving data between different systems within a heterogeneous environment. The machines may be running HP-UX, AIX, Linux or the Solaris™ operating system (OS), and they may all have direct access to physical devices holding data. CDS allows Symantec's Veritas products and applications to access

data storage independently of the operating system platform, enabling them to work transparently in heterogeneous environments.

The Cross-platform Data Sharing feature is also known as Portable Data Containers (PDC). For consistency, this document uses the name Cross-platform Data Sharing throughout.

The following levels in the device hierarchy, from disk through file system, must provide support for CDS to be used:

End-user applications	Application level.
Veritas™ File System (VxFS)	File system level.
Veritas™ Volume Manager (VxVM)	Volume level.
Operating system	Device level.

CDS is a license-enabled feature that is supported at the disk group level by VxVM and at the file system level by VxFS.

CDS utilizes a new disk type (`auto:cdsdisk`). To effect data sharing, VxVM supports a new disk group attribute (`cds`) and also supports different OS block sizes.

Note: CDS allows data volumes and their contents to be easily migrated between heterogeneous systems. It does not enable concurrent access from different types of platform unless such access is supported at all levels that are required.

[Table 17-1](#) describes the capabilities of CDS.

Table 17-1 CDS capabilities

Capability	Description
<p>Shared data across platforms</p>	<p>While volumes can be exported across platforms, the data on the volumes can be shared only if data sharing is supported at the application level. That is, to make data sharing across platforms possible, it must be supported throughout the entire software stack.</p> <p>For example, if a VxFS file system on a VxVM volume contains files comprising a database, then the following functionality applies:</p> <ul style="list-style-type: none"> ■ Disks can be recognized (as <code>cds</code> disks) across platforms. ■ Disk groups can be imported across platforms. ■ The file system can be mounted on different platforms. <p>However, it is very likely that, because of the inherent characteristics of databases, you may not be able to start up and use the database on a platform different from the one on which it was created.</p> <p>An example is where an executable file, compiled on one platform, can be accessed across platforms (using CDS), but may not be executable on a different platform.</p> <p>Note: You do not need a file system in the stack if the operating system provides access to raw disks and volumes, and the application can utilize them. Databases and other applications can have their data components built on top of raw volumes without having a file system to store their data files.</p>
<p>Disk drive sector size</p>	<p>Sector size is an attribute of a disk drive (or SCSI LUN for an array-type device), which is set when the drive is formatted. Sectors are the smallest addressable unit of storage on the drive, and are the units in which the device performs I/O. The sector size is significant because it defines the atomic I/O size at the device level. Any multi-sector writes which VxVM submits to the device driver are not guaranteed to be atomic (by the SCSI subsystem) in the case of system failure.</p>

Table 17-1 CDS capabilities (*continued*)

Capability	Description
Block size issues	<p>The block size is a platform-dependent value that is greater than or equal to the sector size. Each platform accesses the disk on block boundaries and in quantities that are multiples of the block size.</p> <p>Data that is created on one platform, and then accessed by a platform of a different block size, can suffer from the following problems:</p> <p>Addressing issues</p> <ul style="list-style-type: none"> ■ The data may not have been created on a block boundary compatible with that used by the accessing platform. ■ The accessing platform cannot address the start of the data. <p>Bleed-over issues</p> <p>The size of the data written may not be an exact multiple of the block size used by the accessing platform. Therefore the accessing platform cannot constrain its I/O within the boundaries of the data on disk.</p>
Operating system data	Some operating systems (OS) require OS-specific data on disks in order to recognize and control access to the disk.

CDS disk format and disk groups

This section provides additional information about CDS disk format and CDS disk groups.

CDS disk access and format

For a disk to be accessible by multiple platforms, the disk must be consistently recognized by the platforms, and all platforms must be capable of performing I/O on the disk. CDS disks contain specific content at specific locations to identify or control access to the disk on different platforms. The same content and location are used on all CDS disks, independent of the platform on which the disks are initialized.

In order for a disk to be initialized as, or converted to a CDS disk, it must satisfy the following requirements:

- Must be a SCSI disk
- Must be the entire physical disk (LUN)
- Only one volume manager (such as VxVM) can manage a physical disk (LUN)

- There can be no disk partition (slice) which is defined, but which is not configured on the disk
- Cannot contain a volume whose use-type is either `root` or `swap` (for example, it cannot be a boot disk)

The CDS conversion utility, `vxcdsconvert`, is provided to convert non-CDS VM disk formats to CDS disks, and disk groups with a version number less than 110 to disk groups that support CDS disks.

See [“Converting non-CDS disks to CDS disks”](#) on page 226.

Note: Disk groups with version numbers less than 110 are not supported for the Solaris OS on the x64 platform.

Cross-platform Data Sharing (CDS) disk types

The Cross-platform Data Sharing (CDS) disk format, `cdsdisk`, is recognized by all Veritas Volume Manager (VxVM) platforms. The `cdsdisk` disk format is the default for all newly-created VxVM disks unless overridden in a defaults file. The `vxcdsconvert` utility is provided to convert other disk formats and types to CDS.

See [“Defaults files”](#) on page 230.

Note: Disks with format `cdsdisk` can only be added to disk groups with version 110 or later.

[Table 17-2](#) describes the characteristics of CDS disks.

Table 17-2 Characteristics of CDS disks

Characteristic	Description
Private and public regions	<p>A VxVM disk usually has a private and a public region.</p> <p>The private region is a small area on the disk where VxVM configuration information is stored, such as a disk header label, configuration records for VxVM objects (such as volumes, plexes and subdisks), and an intent log for the configuration database. The default private region size is 32MB, which is large enough to record the details of several thousand VxVM objects in a disk group.</p> <p>The public region covers the remainder of the disk, and is used for the allocation of storage space to subdisks.</p> <p>The private and public regions are aligned and sized in multiples of 8K to permit the operation of CDS. The alignment of VxVM objects within the public region is controlled by the disk group alignment attribute. The value of the disk group alignment attribute must also be 8K to permit the operation of CDS.</p> <p>Note: With other (non-CDS) VxVM disk formats, the private and public regions are aligned to the platform-specific OS block size.</p>
Disk access type auto	<p>The disk access (DA) type <code>auto</code> supports multiple disk formats, including <code>cdsdisk</code>, which is supported across all platforms. It is associated with the DA records created by the VxVM auto-configuration mode. Disk type <code>auto</code> automatically determines which format is on the disk.</p>

Table 17-2 Characteristics of CDS disks (*continued*)

Characteristic	Description
Platform block	The platform block resides on disk sector 0, and contains data specific to the operating system for the platforms. It is necessary for proper interaction with each of those platforms. The platform block allows a disk to perform as if it was initialized by each of the specific platforms.
AIX coexistence label	The AIX coexistence label resides on the disk, and identifies the disk to the AIX logical volume manager (LVM) as being controlled by VxVM.
HP-UX coexistence label	The HP-UX coexistence label resides on the disk, and identifies the disk to the HP logical volume manager (LVM) as being controlled by VxVM.
VxVM ID block	The VxVM ID block resides on the disk, and indicates the disk is under VxVM control. It provides dynamic VxVM private region location and other information.

Cross-platform Data Sharing (CDS) disk groups

A Cross-platform Data Sharing (CDS) disk group allows cross-platform data sharing of Veritas Volume Manager (VxVM) objects, so that data written on one of the supported platforms may be accessed on any other supported platform. A CDS disk group is composed only of CDS disks (VxVM disks with the disk format `cdsdisk`), and is only available for disk group version 110 and greater.

Starting with disk group version 160, CDS disk groups can support disks of greater than 1 TB.

Note: The CDS conversion utility, `vxcdsconvert`, is provided to convert non-CDS VxVM disk formats to CDS disks, and disk groups with a version number less than 110 to disk groups that support CDS disks.

See [“Converting non-CDS disks to CDS disks”](#) on page 226.

All VxVM objects in a CDS disk group are aligned and sized so that any system can access the object using its own representation of an I/O block. The CDS disk

group uses a platform-independent alignment value to support system block sizes of up to 8K.

See [“Disk group alignment”](#) on page 221.

CDS disk groups can be used in the following ways:

- Initialized on one system and then used “as-is” by VxVM on a system employing a different type of platform.
- Imported (in a serial fashion) by Linux, Solaris, AIX, and HP-UX systems.
- Imported as private disk groups, or shared disk groups (by CVM).

You cannot include the following disks or volumes in a CDS disk group:

- Volumes of usage type `root` and `swap`. You cannot use CDS to share boot devices.
- Encapsulated disks.

Note: On Solaris and Linux systems, the process of disk encapsulation places the slices or partitions on a disk (which may contain data or file systems) under VxVM control. On AIX and HP-UX systems, LVM volumes may similarly be converted to VxVM volumes.

The following considerations also apply to CDS disk groups:

- Device quotas

You can limit the number of devices that can be created in a given CDS disk group by setting the device quota.

Device quotas limit the number of objects in the disk group which create associated device nodes in the file system. Device quotas are useful for disk groups which to be transferred between Linux with a pre-2.6 kernel and other supported platforms. Prior to the 2.6 kernel, Linux supported only 256 minor devices per major device.

See [“Setting the maximum number of devices for CDS disk groups”](#) on page 238.

When you create a device, an error is returned if the number of devices would exceed the device quota. You then either need to increase the quota, or remove some objects using device numbers, before the device can be created.

See [“Displaying the maximum number of devices in a CDS disk group”](#) on page 242.

- Minor device numbers

Importing a disk group will fail if it will exceed the maximum devices for that platform.

Note: There is a large disparity between the maximum number of devices allowed for devices on the Linux platform with a pre-2.6 kernel, and that for other supported platforms.

Non-CDS disk groups

Any version 110 (or greater) disk group (DG) can contain both CDS and non-CDS disks. However, only version 110 (or greater) disk groups composed entirely of CDS disks have the ability to be shared across platforms. Whether or not that ability has been enabled is controlled by the `cds` attribute of the disk group. Enabling this attribute causes a non-CDS disk group to become a CDS disk group.

Although a non-CDS disk group can contain a mixture of CDS and non-CDS disks having dissimilar private region alignment characteristics, its disk group alignment will still direct how all subdisks are created.

Disk group alignment

One of the attributes of the disk group is the block alignment, which represents the largest block size supported by the disk group.

The alignment constrains the following attributes of the objects within a disk group:

- Subdisk offset
- Subdisk length
- Plex offset
- Volume length
- Log length
- Stripe width

The offset value specifies how an object is positioned on a drive.

The disk group alignment is assigned at disk group creation time.

See [“Disk group tasks”](#) on page 234.

Alignment values

The disk group block alignment has two values: 1 block or 8k (8 kilobytes).

All CDS disk groups must have an alignment value of 8k.

All disk group versions before version 110 have an alignment value of 1 block, and they retain this value if they are upgraded to version 110 or later.

A disk group that is not a CDS disk group, and which has a version of 110 and later, can have an alignment value of either 1 block or 8k.

The alignment for all newly initialized disk groups in VxVM 4.0 and later releases is 8k. This value, which is used when creating the disk group, cannot be changed. However, the disk group alignment can be subsequently changed.

See [“Changing the alignment of a non-CDS disk group”](#) on page 235.

Note: The default usage of `vxassist` is to set the `layout=diskalign` attribute on all platforms. The `layout` attribute is ignored on 8K-aligned disk groups, which means that scripts relying on the default may fail.

Dirty region log alignment

The location and size of each map within a dirty region log (DRL) must not violate the disk group alignment for the disk group (containing the volume to which the DRL is associated). This means that the region size and alignment of each DRL map must be a multiple of the disk group alignment, which for CDS disk groups is 8K. (Features utilizing the region size can impose additional minimums and size increments over and above this restriction, but cannot violate it.)

In a version 110 disk group, a traditional DRL volume has the following region requirements:

- Minimum region size of 512K
- Incremental region size of 64K

In a version 110 disk group, an instant snap DCO volume has the following region requirements:

- Minimum region size of 16K
- Incremental region size of 8K

Object alignment during volume creation

For CDS disk groups, VxVM objects that are used in volume creation are automatically aligned to 8K. For non-CDS disk groups, the `vxassist` attribute, `dgalign_checking`, controls how the command handles attributes that are subject to disk group alignment restrictions. If set to `strict`, the volume length and values of attributes must be integer multiples of the disk group alignment value, or the command fails and an error message is displayed. If set to `round` (default), attribute

values are rounded up as required. If this attribute is not specified on the command-line or in a defaults file, the default value of `round` is used.

The `diskalign` and `nodiskalign` attributes of `vxassist`, which control whether subdisks are aligned on cylinder boundaries, is honored only for non-CDS disk groups whose alignment value is set to 1.

Setting up your system to use Cross-platform Data Sharing (CDS)

In order to migrate data between platforms using Cross-platform Data Sharing (CDS), set up your system to use CDS disks and CDS disk groups. The CDS license must be enabled. You can use the default files to configure the appropriate settings for CDS disks and disk groups.

[Table 17-3](#) describes the tasks for setting up your system to use CDS.

Table 17-3 Setting up CDS disks and CDS disk groups

Task	Procedures
Create the CDS disks.	<p>You can create a CDS disk in one of the following ways:</p> <ul style="list-style-type: none"> ■ Creating CDS disks from uninitialized disks See “Creating CDS disks from uninitialized disks” on page 224. ■ Creating CDS disks from initialized VxVM disks ■ Converting non-CDS disks to CDS disks See “Converting non-CDS disks to CDS disks” on page 226.
Create the CDS disk groups.	<p>You can create a CDS disk group in one of the following ways:</p> <ul style="list-style-type: none"> ■ Creating CDS disk groups See “Creating CDS disk groups” on page 225. ■ Converting a non-CDS disk group to a CDS disk group See “Converting a non-CDS disk group to a CDS disk group” on page 228.

Table 17-3 Setting up CDS disks and CDS disk groups (*continued*)

Task	Procedures
Verify the CDS license.	Verifying licensing See “Verifying licensing” on page 230.
Verify the system defaults related to CDS.	Defaults files See “Defaults files” on page 230.

Creating CDS disks from uninitialized disks

You can create a CDS disk from an uninitialized disk by using one of the following methods:

- [To create a CDS disks by using vxdisksetup](#)
- [To create a CDS disk by using the vxdiskadm command](#)

To create a CDS disks by using vxdisksetup

- ◆ Type the following command:

```
# vxdisksetup -i disk [format=disk_format]
```

The format defaults to `cdsdisk` unless this is overridden by the `/etc/default/vxdisk` file, or by specifying the disk format as an argument to the `format` attribute.

See [“Defaults files”](#) on page 230.

See the `vxdisksetup(1M)` manual page.

To create a CDS disk by using the vxdiskadm command

- ◆ Run the `vxdiskadm` command, and select the “Add or initialize one or more disks” item from the main menu. You are prompted to specify the format.

Warning: On CDS disks, the CDS information occupies the first sector of that disk, and there is no `fdisk` partition information. Attempting to create an `fdisk` partition (for example, by using the `fdisk` or `format` commands) erases the CDS information, and can cause data corruption.

Creating CDS disks from initialized VxVM disks

How you create a CDS disk depends on the current state of the disk, as follows:

- To create a CDS disk from a disk that is not in a disk group
- To create a CDS disk from a disk that is already in a disk group

To create a CDS disk from a disk that is not in a disk group

- 1 Run the following command to remove the VM disk format for the disk:

```
# vxdiskunsetup disk
```

This is necessary as non-auto types cannot be reinitialized by `vxdisksetup`.

- 2 If the disk is listed in the `/etc/vx/darecs` file, remove its disk access (DA) record using the command:

```
# vxdisk rm disk
```

(Disk access records that cannot be configured by scanning the disks are stored in an ordinary file, `/etc/vx/darecs`, in the root file system. Refer to the `vxintro(1M)` manual page for more information.)

- 3 Rescan for the disk using this command:

```
# vxdisk scandisks
```

- 4 Type this command to set up the disk:

```
# vxdisksetup -i disk
```

To create a CDS disk from a disk that is already in a disk group

- ◆ Run the `vxcdsconvert` command.

See “[Converting non-CDS disks to CDS disks](#)” on page 226.

Creating CDS disk groups

You can create a CDS disk group in the following ways:

- [Creating a CDS disk group by using `vxdg init`](#)
- [Creating a CDS disk group by using `vxdiskadm`](#)

Creating a CDS disk group by using `vxdg init`

Note: The disk group version must be 110 or greater.

To create a CDS disk group by using the `vxdg init` command

- Type the following command:

```
# vxdg init diskgroup disklist [cds={on|off}]
```

The format defaults to a CDS disk group, unless this is overridden by the `/etc/default/vxdg` file, or by specifying the `cds` argument.

See the `vxdg(1M)` manual page for more information.

Creating a CDS disk group by using `vxdiskadm`

You cannot create a CDS disk group when encapsulating an existing disk, or when converting an LVM volume.

When initializing a disk, if the target disk group is an existing CDS disk group, `vxdiskadm` will only allow the disk to be initialized as a CDS disk. If the target disk group is a non-CDS disk group, the disk can be initialized as either a CDS disk or a non-CDS disk.

If you use the `vxdiskadm` command to initialize a disk into an existing CDS disk group, the disk must have been added with the `cdsdisk` format.

The CDS attribute for the disk group remains unchanged by this procedure.

To create a CDS disk group by using the `vxdiskadm` command

- Run the `vxdiskadm` command, and select the “Add or initialize one or more disks” item from the main menu. Specify that the disk group should be a CDS disk group when prompted.

Converting non-CDS disks to CDS disks

Note: The disks must be of type of `auto` in order to be re-initialized as CDS disks.

To convert non-CDS disks to CDS disks

- 1 If the conversion is not going to be performed on-line (that is, while access to the disk group continues), stop any applications that are accessing the disks.
- 2 Make sure that the disks have free space of at least 256 sectors before doing the conversion.

- 3 Add a disk to the disk group for use by the conversion process. The conversion process evacuates objects from the disks, reinitializes the disks, and relocates objects back to the disks.

Note: If the disk does not have sufficient free space, the conversion process will not be able to relocate objects back to the disk. In this case, you may need to add additional disks to the disk group.

- 4 Type one of the following forms of the CDS conversion utility (`vxcdsconvert`) to convert non-CDS disks to CDS disks.

```
# vxcdsconvert -g diskgroup [-A] [-d defaults_file] \  
  [-o novolstop] disk name [attribute=value] ...  
# vxcdsconvert -g diskgroup [-A] [-d defaults_file] \  
  [-o novolstop] alldisks [attribute=value] ...
```

The `alldisks` and `disk` keywords have the following effect

<code>alldisks</code>	Converts all non-CDS disks in the disk group into CDS disks.
<code>disk</code>	<p>Specifies a single disk for conversion. You would use this option under the following circumstances:</p> <ul style="list-style-type: none"> ■ If a disk in the non-CDS disk group has cross-platform exposure, you may want other VxVM nodes to recognize the disk, but not to assume that it is available for initialization. ■ If the native Logical Volume Manager (LVM) that is provided by the operating system needs to recognize CDS disks, but it is not required to initialize or manage these disks. ■ Your intention is to move the disk into an existing CDS disk group.

Specify the `-o novolstop` option to perform the conversion on-line (that is, while access to the disk continues). If the `-o novolstop` option is not specified, stop any applications that are accessing the disks, and perform the conversion off-line.

Warning: Specifying the `-o novolstop` option can greatly increase the amount of time that is required to perform conversion.

Before you use the `vxcdsconvert` command, make sure you understand its options, attributes, and keywords.

See the `vxcdsconvert(1M)` manual page.

Converting a non-CDS disk group to a CDS disk group

To convert a non-CDS disk group to a CDS disk group

- 1 If the disk group contains one or more disks that you do not want to convert to CDS disks, use the `vxldg move` or `vxldg split` command to move the disks out of the disk group.
- 2 The disk group to be converted must have the following characteristics:
 - No dissociated or disabled objects.
 - No sparse plexes.
 - No volumes requiring recovery.
 - No volumes with pending snapshot operations.
 - No objects in an error state.

To verify whether a non-CDS disk group can be converted to a CDS disk group, type the following command:

```
# vxcdsconvert -g diskgroup -A group
```

- 3 If the disk group does not have a CDS-compatible disk group alignment, the objects in the disk group must be relayed out with a CDS-compatible alignment.
- 4 If the conversion is not going to be performed on-line (that is, while access to the disk group continues), stop any applications that are accessing the disks.
- 5 Type one of the following forms of the CDS conversion utility (`vxcdsconvert`) to convert a non-CDS disk group to a CDS disk group.

```
# vxcdsconvert -g diskgroup [-A] [-d defaults_file] \
  [-o novolstop] alignment [attribute=value] ...
# vxcdsconvert -g diskgroup [-A] [-d defaults_file] \
  [-o novolstop] group [attribute=value] ...
```

The `alignment` and `group` keywords have the following effect:

<code>alignment</code>	Specifies alignment conversion where disks are not converted, and an object relayout is performed on the disk group. A successful completion results in an 8K-aligned disk group. You might consider this option, rather than converting the entire disk group, if you want to reduce the amount of work to be done for a later full conversion to CDS disk group.
<code>group</code>	Specifies group conversion of all non-CDS disks in the disk group before realying out objects in the disk group.

The conversion involves evacuating objects from the disk, reinitializing the disk, and relocating objects back to disk. You can specify the `-o novolstop` option to perform the conversion on-line (that is, while access to the disk group continues). If the `-o novolstop` option is not specified, stop any applications that are accessing the disks, and perform the conversion off-line.

Warning: Specifying the `-o novolstop` option can greatly increase the amount of time that is required to perform conversion.

Conversion has the following side effects:

- Non-CDS disk group are upgraded by using the `vx dg upgrade` command. If the disk group was originally created by the conversion of an LVM volume group (VG), rolling back to the original LVM VG is not possible. If you decide to go through with the conversion, the rollback records for the disk group will be removed, so that an accidental rollback to an LVM VG cannot be done.
- Stopped, but startable volumes, are started for the duration of the conversion .
- Any volumes or other objects in the disk group that were created with the `layout=diskalign` attribute specified can no longer be disk aligned.
- Encapsulated disks may lose the ability to be unencapsulated.
- Performance may be degraded because data may have migrated to different regions of a disk, or to different disks.

In the following example, the disk group, `mydg`, and all its disks are converted to CDS while keeping its volumes are still online:

```
# vxcdsconvert -g mydg -o novolstop group \
  move_subdisks_ok=yes evac_subdisks_ok=yes \
  evac_disk_list=disk11,disk12,disk13,disk14
```

The `evac_disk_list` attribute specifies a list of disks (`disk11` through `disk14`) to which subdisks can be evacuated to disks if required.

Before you use the `vxcdsconvert` command, make sure you understand its options, attributes, and keywords.

See the `vxcdsconvert(1M)` manual page.

Verifying licensing

The ability to create or import a CDS disk group is controlled by a CDS license. CDS licenses are included as part of the Veritas Storage Foundation license.

To verify the CDS enabling license

- Type the following command:

```
# vxlicrep
```

Verify the following line in the output:

```
Cross-platform Data Sharing = Enabled
```

Defaults files

The following system defaults files in the `/etc/default` directory are used to specify the alignment of VxVM objects, the initialization or encapsulation of VM disks, the conversion of LVM disks, and the conversion of disk groups and their disks to the CDS-compatible format

`vxassist` Specifies default values for the following parameters to the `vxcdsconvert` command that have an effect on the alignment of VxVM objects: `dgaligned_checking`, `diskalign`, and `nodiskalign`.

See [“Object alignment during volume creation”](#) on page 222.

See the `vxassist(1M)` manual page.

`vxcdsconvert` Specifies default values for the following parameters to the `vxcdsconvert` command: `evac_disk_list`, `evac_subdisks_ok`, `min_split_size`, `move_subdisks_ok`, `privlen`, and `split_subdisks_ok`.

The following is a sample `vxcdsconvert` defaults file:

```
evac_subdisks_ok=no
min_split_size=64k
move_subdisks_ok=yes
privlen=2048
split_subdisks_ok=move
```

An alternate defaults file can be specified by using the `-d` option with the `vxcdsconvert` command.

See the `vxcdsconvert(1M)` manual page.

`vx dg` Specifies default values for the `cds`, `default_activation_mode` and `enable_activation` parameters to the `vx dg` command. The `default_activation_mode` and `enable_activation` parameters are only used with shared disk groups in a cluster.

The following is a sample `vx dg` defaults file:

```
cds=on
```

See the `vx dg(1M)` manual page.

`vx disk` Specifies default values for the `format` and `privlen` parameters to the `vx disk` and `vx disksetup` commands. These commands are used when disks are initialized by VxVM for the first time. They are also called implicitly by the `vx diskadm` command and the Veritas Operations Manager (VOM) GUI.

The following is a sample `vx disk` defaults file:

```
format=cdsdisk
privlen=2048
```

See the `vx disk(1M)` manual page.

See the `vx disksetup(1M)` manual page.

`vxencap` Specifies default values for the `format`, `privlen`, `privoffset` and `puboffset` parameters to the `vxencap` and `vxlvmencap` commands. These commands are used when disks with existing partitions or slices are encapsulated, or when LVM disks are converted to VM disks. It is also called implicitly by the `vxdiskadm`, `vxconvert` (on AIX) and `vxvmconvert` (on HP-UX) commands, and by the VOM.

The following is a sample `vxencap` defaults file:

```
format=sliced
privlen=4096
privoffset=0
puboffset=1
```

See the `vxencap(1M)` manual page.

See the `vxconvert(1M)` manual page.

See the `vxvmconvert(1M)` manual page.

In the defaults files, a line that is empty, or that begins with a “#” character in the first column, is treated as a comment, and is ignored.

Apart from comment lines, all other lines must define attributes and their values using the format `attribute=value`. Each line starts in the first column, and is terminated by the value. No white space is allowed around the = sign.

Maintaining your system

You may need to perform maintenance tasks on the CDS disks and CDS disk groups. Refer to the respective section for each type of task.

- Disk tasks
See “[Disk tasks](#)” on page 233.
- Disk group tasks
See “[Disk group tasks](#)” on page 234.
- Displaying information
See “[Displaying information](#)” on page 241.
- Default activation mode of shared disk groups
See “[Default activation mode of shared disk groups](#)” on page 244.
- Additional considerations when importing CDS disk groups
See “[Defaults files](#)” on page 230.

Disk tasks

The following disk tasks are supported:

- [Changing the default disk format](#)
- [Restoring CDS disk labels](#)

Changing the default disk format

When disks are put under VxVM control, they are formatted with the default `cdsdisk` layout. This happens during the following operations:

- Initialization of disks
- Encapsulation of disks with existing partitions or slices (Linux and Solaris systems)
- Conversion of LVM disks (AIX, HP-UX and Linux systems)

You can override this behavior by changing the settings in the system defaults files. For example, you can change the default format to `sliced` for disk initialization by modifying the definition of the `format` attribute in the `/etc/default/vxdisk` defaults file.

To change the default format for disk encapsulation or LVM disk conversion

- Edit the `/etc/default/vxencap` defaults file, and change the definition of the `format` attribute.
See [“Defaults files”](#) on page 230.

Restoring CDS disk labels

CDS disks have the following labels:

- Platform block
- AIX coexistence label
- HP-UX coexistence or VxVM ID block

There are also backup copies of each. If any of the primary labels become corrupted, VxVM will not bring the disk online and user intervention is required.

If two labels are intact, the disk is still recognized as a `cdsdisk` (though in the error state) and `vxdisk flush` can be used to restore the CDS disk labels from their backup copies.

Note: For disks larger than 1 TB, `cdsdisks` use the EFI layout. The procedure to restore disk labels does not apply to `cdsdisks` with EFI layout.

Primary labels are at sectors 0, 7, and 16; and a normal flush will not flush sectors 7 and 16. Also, the private area is not updated as the disk is not in a disk group. There is no means of finding a “good” private region to flush from. In this case, it is possible to restore the CDS disk labels from the existing backups on disk using the flush operation.

If a corruption happened after the labels were read and the disk is still online and part of a disk group, then a flush operation will also flush the private region.

Warning: Caution and knowledge must be employed because the damage could involve more than the CDS disk labels. If the damage is constrained to the first 128K, the disk flush would fix it. This could happen if another system on the fabric wrote a disk label to a disk that was actually a CDS disk in some disk group.

To rewrite the CDS ID information on a specific disk

- Type the following command:

```
# vxdisk flush disk_access_name
```

This rewrites all labels except sectors 7 and 16.

To rewrite all the disks in a CDS disk group

- Type the following command:

```
# vxdg flush diskgroup
```

This rewrites all labels except sectors 7 and 16.

To forcibly rewrite the AIX coexistence label in sector 7 and the HP-UX coexistence label or VxVM ID block in sector 16

- Type the following command:

```
# vxdisk -f flush disk_access_name
```

This command rewrites all labels if there exists a valid VxVM ID block that points to a valid private region. The `-f` option is required to rewrite sectors 7 and 16 when a disk is taken offline due to label corruption (possibly by a Windows system on the same fabric).

Disk group tasks

The following disk group tasks are supported:

- [Changing the alignment of a disk group during disk encapsulation](#)
- [Changing the alignment of a non-CDS disk group](#)

- [Determining the setting of the CDS attribute on a disk group](#)
- [Splitting a CDS disk group](#)
- [Moving objects between CDS disk groups and non-CDS disk groups](#)
- [Moving objects between CDS disk groups](#)
- [Joining disk groups](#)
- [Changing the default CDS setting for disk group creation](#)
- [Creating non-CDS disk groups](#)
- [Upgrading an older version non-CDS disk group](#)
- [Replacing a disk in a CDS disk group](#)
- [Setting the maximum number of devices for CDS disk groups](#)

Changing the alignment of a disk group during disk encapsulation

If you use the `vxdiskadm` command to encapsulate a disk into a disk group with an alignment of 8K, the disk group alignment must be reduced to 1.

If you use the `vxencap` command to perform the encapsulation, the alignment is carried out automatically without a confirmation prompt.

To change the alignment of a disk group during disk encapsulation

- Run the `vxdiskadm` command, and select the “Add or initialize one or more disks” item from the main menu. As part of the encapsulation process, you are asked to confirm that a reduction of the disk group alignment from 8K to 1 is acceptable.

Changing the alignment of a non-CDS disk group

The alignment value can only be changed for disk groups with version 110 or greater.

For a CDS disk group, `alignment` can only take a value of 8k. Attempts to set the alignment of a CDS disk group to 1 fail unless you first change it to a non-CDS disk group.

Increasing the alignment may require `vxcdsconvert` to be run to change the layout of the objects in the disk group.

To display the current alignment value of a disk group, use the `vxprint` command.

See “[Displaying the disk group alignment](#)” on page 242.

To change the alignment value of a disk group

- Type the `vxdg set` command:

```
# vxdg -g diskgroup set align={1|8k}
```

The operation to increase the alignment to 8K fails if objects exist in the disk group that do not conform to the new alignment restrictions. In that case, use the `vxcdsconvert alignment` command to change the layout of the objects:

```
# vxcdsconvert -g diskgroup [-A] [-d defaults_file] \  
  [-o novolstop] alignment [attribute=value] ...
```

This command increases the alignment value of a disk group and its objects to 8K, without converting the disks.

The sequence 8K to 1 to 8K is possible only using `vxdg set` as long as the configuration does not change after the 8K to 1 transition.

See [“Converting a non-CDS disk group to a CDS disk group”](#) on page 228.

Splitting a CDS disk group

You can use the `vxdg split` command to create a CDS disk group from an existing CDS disk group. The new (target) disk group preserves the setting of the CDS attribute and alignment in the original (source) disk group.

To split a CDS disk group

- Use the `vxdg split` command to split CDS disk groups.
See the *Veritas Volume Manager Administrator’s Guide*.

Moving objects between CDS disk groups and non-CDS disk groups

The alignment of a source non-CDS disk group must be 8K to allow objects to be moved to a target CDS disk group. If objects are moved from a CDS disk group to a target non-CDS disk group with an alignment of 1, the alignment of the target disk group remains unchanged.

To move objects between a CDS disk group and a non-CDS disk group

- Use the `vxdg move` command to move objects between a CDS disk group and a non-CDS disk groups.
See the *Veritas Volume Manager Administrator’s Guide*.

Moving objects between CDS disk groups

The disk group alignment does not change as a result of moving objects between CDS disk groups.

To move objects between CDS disk groups

- Use the `vxdg move` command to move objects between CDS disk groups. See the *Veritas Volume Manager Administrator's Guide*.

Joining disk groups

Joining two CDS disk groups or joining two non-CDS disk groups is permitted, but you cannot join a CDS disk group to a non-CDS disk group. If two non-CDS disk groups have different alignment values, the alignment of the resulting joined disk group is set to 1, and an informational message is displayed.

To join two disk groups

- Use the `vxdg join` command to join two disk groups. See the *Veritas Volume Manager Administrator's Guide*.

Changing the default CDS setting for disk group creation

To change the default CDS setting for disk group creation

- Edit the `/etc/default/vxdg` file, and change the setting for the `cds` attribute.

Creating non-CDS disk groups

A disk group with a version lower than 110 is given an alignment value equal to 1 when it is imported. This is because the `dg_align` value is not stored in the configuration database for such disk groups.

To create a non-CDS disk group with a version lower than 110

- Type the following `vxdg` command:

```
# vxdg -T version init diskgroup disk_name=disk_access_name
```

Upgrading an older version non-CDS disk group

You may want to upgrade a non-CDS disk group with a version lower than 110 in order to use new features other than CDS. After upgrading the disk group, the `cds` attribute is set to `off`, and the disk group has an alignment of 1.

Note: You must also perform a disk group conversion (using the `vxcdsconvert` utility) to use the CDS feature.

To upgrade the non-CDS pre-version 110 disk group

- Type the following `vxdg` command:

```
# vxdg upgrade diskgroup
```

Replacing a disk in a CDS disk group

Note: When replacing a disk in a CDS disk group, you cannot use a non-CDS disk as the replacement.

To replace a disk in a CDS disk group

- Type the following commands:

```
# vxdg -g diskgroup -k rmdisk disk_name  
# vxdg -g diskgroup -k adddisk disk_name=disk_access_name
```

The `-k` option retains and reuses the disk media record for the disk that is being replaced. The following example shows a disk device `disk21` being reassigned to disk `mydg01`.

```
# vxdg -g diskgroup -k rmdisk mydg01  
# vxdg -g diskgroup -k adddisk mydg01=disk21
```

For other operating systems, use the appropriate device name format.

Setting the maximum number of devices for CDS disk groups

To set the maximum number of devices that can be created in a CDS disk group

- Type the following `vxdg set` command:

```
# vxdg -g diskgroup set maxdev=max-devices
```

The `maxdev` attribute can take any positive integer value that is greater than the number of devices that are currently in the disk group.

Changing the DRL map and log size

If DRL is enabled on a newly-created volume without specifying a log or map size, default values are used. You can use the command line attributes `logmap_len` and `loglen` in conjunction with the `vxassist`, `vxvol`, and `vxmake` commands to set the DRL map and DRL log sizes. The attributes can be used independently, or they can be combined.

You can change the DRL map size and DRL log size only when the volume is disabled and the DRL maps are not in use. Changes can be made to the DRL map size only for volumes in a CDS disk group.

The `logmap_len` attribute specifies the required size, in bytes, for the DRL log. It cannot be greater than the number of bytes available in the map on the disk.

To change the DRL map and log size

- Use the following commands to remove and rebuild the logs:

```
# vxassist -g diskgroup remove log volume nlog=0
# vxassist -g diskgroup addlog volume nlog=nlogs \
  logtype=drl logmap_len=len-bytes [loglen=len-blocks]
```

Note the following restrictions

If only <code>logmap_len</code> is specified	The DRL log size is set to the default value (33 * disk group alignment).
If <code>logmap_len</code> is greater than (DRL log size) / 2	The command fails, and you need to either provide a sufficiently large <code>loglen</code> value or reduce <code>logmap_len</code> .
For CDS disk groups	The DRL map and log sizes are set to a minimum of 2 * (disk group alignment).

Creating a volume with a DRL log

To create a volume with a traditional DRL log by using the `vxassist` command

- Type the following command:

```
# vxassist -g diskgroup make volume length mirror=2 \
  logtype=drl [loglen=len-blocks] [logmap_len=len-bytes]
```

This command creates log subdisks that are each equal to the size of the DRL log.

Note the following restrictions

If neither <code>logmap_len</code> nor <code>loglen</code> is specified	<ul style="list-style-type: none"> ■ <code>loglen</code> is set to a default value that is based on disk group alignment. ■ <code>maplen</code> is set to a reasonable value.
If only <code>loglen</code> is specified	<ul style="list-style-type: none"> ■ For pre-version 110 disk groups, <code>maplen</code> is set to zero. ■ For version 110 and greater disk groups, <code>maplen</code> is set to use all the bytes available in the on-disk map.

If only `logmap_len` is specified

- For pre-version 110 disk groups, `logmap_len` is not applicable.
- For version 110 and greater disk groups, `maplen` must be less than the number of available bytes in the on-disk map for the default log length.

Setting the DRL map length

To set a DRL map length

- 1 Stop the volume to make the DRL inactive.
- 2 Type the following command:

```
# vxvol -g diskgroup set [loglen=len-blocks] \  
    [logmap_len=len-bytes] volume
```

This command does not change the existing DRL map size.

Note the following restrictions

If both `logmap_len` and `loglen` are specified

- if `logmap_len` is greater than `loglen/2`, `vxvol` fails with an error message. Either increase `loglen` to a sufficiently large value, or decrease `logmap_len` to a sufficiently small value.
- The value of `logmap_len` cannot exceed the number of bytes in the on-disk map.

If `logmap_len` is specified

- The value is constrained by size of the log, and cannot exceed the size of the on-disk map. The size of the on-disk map in blocks can be calculated from the following formula:
$$\text{round}(\text{loglen}/\text{nmaps}) - 24$$
where `nmaps` is 2 for a private disk group, or 33 for a shared disk group.
- The value of `logmap_len` cannot exceed the number of bytes in the on-disk map.

If `loglen` is specified

- Specifying a value that is less than twice the disk group alignment value results in an error message.
- The value is constrained by size of the logging subdisk.

Displaying information

This section describes the following tasks:

- [Determining the setting of the CDS attribute on a disk group](#)
- [Displaying the maximum number of devices in a CDS disk group](#)
- [Displaying map length and map alignment of traditional DRL logs](#)
- [Displaying the disk group alignment](#)
- [Displaying the log map length and alignment](#)
- [Displaying offset and length information in units of 512 bytes](#)

Determining the setting of the CDS attribute on a disk group

To determine the setting of the CDS attribute on a disk group

- Use the `vxdbg list` command or the `vxprint` command to determine the setting of the CDS attribute, as shown in the following examples:

```
# vxdbg list
```

```
NAME                STATE                ID
dgTestSol2          enabled,cds          1063238039.206.vmescl
```

```
# vxdbg list dgTestSol2
```

```
Group:      dgTestSol2
dgid:       1063238039.206.vmescl
import-id:  1024.205
flags:      cds
version:    110
alignment:  8192 (bytes)
```

```
.
.
.
```

```
# vxprint -F %cds -G -g dgTestSol2
```

on

The disk group, `dgTestSol2`, is shown as having the CDS flag set.

Displaying the maximum number of devices in a CDS disk group

To display the maximum number of devices in a CDS disk group

- Type the following command:

```
# vxprint -g diskgroup -G -F %maxdev
```

Displaying map length and map alignment of traditional DRL logs

To display the map length and map alignment of traditional DRL logs

- Type the following commands

```
# vxprint -g diskgroup -vl volume  
# vxprint -g diskgroup -vF '%name %logmap_len %logmap_align' \  
volume
```

Displaying the disk group alignment

To display the disk group alignment

- Type the following command:

```
# vxprint -g diskgroup -G -F %align
```

Utilities such as `vxprint` and `vx dg list` that print information about disk group records also output the disk group alignment.

Displaying the log map length and alignment

To display the log map length and alignment

- Type the following command:

```
# vxprint -g diskgroup -lv volume
```

For example, to print information for the volume `vol1` in disk group `dg1`:

```
# vxprint -g dg1 -lv vol1
```

The output is of the form:

```
logging: type=REGION loglen=0 serial=0/0 mapalign=0
maplen=0 (disabled)
```

This indicates a log map alignment (`logmap_align`) value of 0, and a log map length (`logmap_len`) value of 0.

If the log map is set and enabled, the command and results may be in the following form:

```
# vxprint -lv drlvol
```

```
Disk group: dgTestSol
Volume:    drlvol
info:      len=20480
type:      usetype=fsgen
state:     state=ACTIVE kernel=ENABLED cdsrecovery=0/0 (clean)
assoc:     plexes=drlvol-01,drlvol-02,drlvol-03
policies:  read=SELECT (round-robin) exceptions=GEN_DET_SPARSE
flags:     closed writecopy writeback
logging:   type=REGION loglen=528 serial=0/0 mapalign=16
maplen=512 (enabled)
apprecov:  seqno=0/0
recovery:  mode=default
recov_id=0
device:    minor=46000 bdev=212/46000 cdev=212/46000
path=/dev/vx/dsk/dgTestSol/drlvol
perms:     user=root group=root mode=0600
guid:      {d968de3e-1dd1-11b2-8fc1-080020d223e5}
```

Displaying offset and length information in units of 512 bytes

To display offset and length information in units of 512 bytes

- Specify the `-b` option to the `vxprint` and `vxdisk` commands, as shown in these examples:

```
# vxprint -bm
# vxdisk -b list
```

Specifying the `-b` option enables consistent output to be obtained on different platforms. Without the `-b` option, the information is output in units of sectors. The number of bytes per sector differs between platforms.

When the `vxprint -bm` or `vxdisk -b list` command is used, the output also contains the `b` suffix, so that the output can be fed back to `vxmake`.

Default activation mode of shared disk groups

The default activation mode of shared disk groups involves a local in-kernel policy that differs between platforms. This means that, regardless of the platform on which the disk group was created, the importing platform will have platform-specific behavior with respect to activation of shared disk groups. Specifically, with the exception of HP-UX, importing a shared disk group results in the volumes being active and enabled for shared-write. In the case of HP-UX, the shared volumes will be inactive and require other actions to activate them for shared-write operations.

Additional considerations when importing CDS disk groups

Before you attempt to use CDS to move disk groups between different operating systems, and if the configuration of the disks has changed since the target system was last rebooted, you should consider the following points

Does the target system know about the disks?

For example, the disks may not have been connected to the system either physically (not cabled) or logically (using FC zoning or LUN masking) when the system was booted up, but they have subsequently been connected without rebooting the system. This can happen when bringing new storage on-line, or when adding an additional DMP path to existing storage. On the target system, both the operating system and VxVM must be informed of the existence of the new storage. Issue the appropriate command to tell the operating system to look for the storage. (On Linux, depending on the supported capabilities of the host adapter, you may need to reboot the target system to achieve this.) Having done this, run either of the following commands on the target system to have VxVM recognize the storage:

```
# vxctl enable  
# vxdisk scandisks
```

Do the disks contain partitions or slices? Both the Solaris and Linux operating systems maintain information about partitions or slices on disks. If you repartition a disk after the target system was booted, use the appropriate command to instruct the operating system to rescan the disk's TOC or partition table. For example, on a target Linux system, use the following command:

```
# blockdev --rereadpt
```

Having done this, run either of the following commands on the target system to have VxVM recognize the storage:

```
# vxdctl enable
# vxdisk scandisks
```

Has the format of any of the disks changed since the target system was last booted? For example, if you use the `vxdisksetup -i` command to format a disk for VxVM on one system, the `vxdisk list` command on the target system may still show the format as being `auto:none`. If so, use either of the following commands on the target system to instruct VxVM to rescan the format of the disks:

```
# vxdctl enable
# vxdisk scandisks
```

File system considerations

To set up or migrate volumes with VxFS file systems with CDS, you must consider the file system requirements. This section describes these requirements. It also describes additional tasks required for migrating or setting up in CDS.

Considerations about data in the file system

Data within a file system might not be in the appropriate format to be accessed if moved between different types of systems. For example, files stored in proprietary binary formats often require conversion for use on the target platform. Files containing databases might not be in a standard format that allows their access when moving a file system between various systems, even if those systems use the same byte order. Oracle 10g's Cross-Platform Transportable Tablespace is a notable exception; if used, this feature provides a consistent format across many platforms.

Some data is inherently portable, such as plain ASCII files. Other data is designed to be portable and the applications that access such data are able to access it irrespective of the system on which it was created, such as Adobe PDF files.

Note that the CDS facilities do not convert the end user data. The data is uninterpreted by the file system. Only individual applications have knowledge of the data formats, and thus those applications and end users must deal with this issue. This issue is not CDS-specific, but is true whenever data is moved between different types of systems.

Even though a user might have a file system with data that cannot be readily interpreted or manipulated on a different type of system, there still are reasons for moving such data by using CDS mechanisms. For example, if the desire is to bring a file system off line from its primary use location for purposes of backing it up without placing that load on the server or because the system on which it will be backed up is the one that has the tape devices directly attached to it, then using CDS to move the file system is appropriate.

An example is a principal file server that has various file systems being served by it over the network. If a second file server system with a different operating system was purchased to reduce the load on the original server, CDS can migrate the file system instead of having to move the data to different physical storage over the network, even if the data could not be interpreted or used by either the original or new file server. This is a scenario that often occurs when the data is only accessible or understood by software running on PCs and the file server is UNIX or Linux-based.

File system migration

File system migration refers to the system management operations related to stopping access to a file system, and then restarting these operations to access the file system from a different computer system. File system migration might be required to be done once, such as when permanently migrating a file system to another system without any future desire to move the file system back to its original system or to other systems. This type of file system migration is referred to as one-time file system migration. When ongoing file system migration between multiple systems is desired, this is known as ongoing file system migration. Different actions are required depending on the kind of migration, as described in the following sections.

Specifying the migration target

Most of the operations performed by the CDS commands require the target to which the file system is to be migrated to be specified by target specifiers in the following format:

```
os_name=name[,os_rel=release][,arch=arch_name]  
[,vxfs_version=version][,bits=nbits]
```

The CDS commands require the following target specifiers:

<code>os_name=name</code>	Specifies the name of the target operating system to which the file system is planned to be migrated. Possible values are HP-UX, AIX, SunOS, or Linux. The <code>os_name</code> field must be specified if the target is specified.
<code>os_rel=release</code>	Specifies the operating system release version of the target. For example, 11.31.
<code>arch=arch_name</code>	Specifies the architecture of the target. For example, specify <code>ia</code> or <code>pa</code> for HP-UX.
<code>vxfv_version=version</code>	Specifies the VxFS release version that is in use at the target. For example, 5.1.
<code>bits=nbits</code>	Specifies the kernel bits of the target. <code>nbits</code> can have a value of 32 or 64 to indicate whether the target is running a 32-bit kernel or 64-bit kernel.

While `os_name` must be specified for all `fscdsadm` invocations that permit the target to be specified, all other target specifiers are optional and are available for the user to fine tune the migration target specification.

The CDS commands use the limits information available in the default CDS limits file, `/etc/vx/cdslimitstab`. If the values for the optional target specifiers are not specified, `fscdsadm` will choose the defaults for the specified target based on the information available in the limits file that best fits the specified target, and proceed with the CDS operation. The chosen defaults are displayed to the user before proceeding with the migration.

Note: The default CDS limits information file, `/etc/vx/cdslimitstab`, is installed as part of the VxFS package. The contents of this file are used by the VxFS CDS commands and should not be altered.

Examples of target specifications

The following are examples of target specifications:

<code>os_name=AIX</code>	Specifies the target operating system and use defaults for the remainder.
--------------------------	---

```
os_name=HP-UX,  
os_rel=11.23,  
arch=ia,  
vxfv_version=5.0,  
bits=64
```

Specifies the operating system, operating system release version, architecture, VxFS version, and kernel bits of the target.

```
os_name=SunOS,  
arch=sparc
```

Specifies the operating system and architecture of the target.

```
os_name=Linux,  
bits=32
```

Specifies the operating system and kernel bits of the target.

Using the `fscdsadm` command

The `fscdsadm` command can be used to perform the following CDS tasks:

- [Checking that the metadata limits are not exceeded](#)
- [Maintaining the list of target operating systems](#)
- [Enforcing the established CDS limits on a file system](#)
- [Ignoring the established CDS limits on a file system](#)
- [Validating the operating system targets for a file system](#)
- [Displaying the CDS status of a file system](#)

Checking that the metadata limits are not exceeded

To check that the metadata limits are not exceeded

- Type the following command to check whether there are any file system entities with metadata that exceed the limits for the specified target operating system:

```
# fscdsadm -v -t target mount_point
```

Maintaining the list of target operating systems

When a file system will be migrated on an ongoing basis between multiple systems, the types of operating systems that are involved in these migrations are maintained in a `target_list` file. Knowing what these targets are allows VxFS to determine file system limits that are appropriate to all of these targets. The file system limits that are enforced are file size, user ID, and group ID. The contents of the `target_list` file are manipulated by using the `fscdsadm` command.

Adding an entry to the list of target operating systems

To add an entry to the list of target operating systems

- Type the following command:

```
# fscdsadm -o add -t target mount_point
```

See [“Specifying the migration target”](#) on page 246.

Removing an entry from the list of target operating systems

To remove an entry from the list of target operating systems

- Type the following command:

```
# fscdsadm -o remove -t target mount_point
```

See [“Specifying the migration target”](#) on page 246.

Removing all entries from the list of target operating systems

To remove all entries from the list of target operating systems

- Type the following command:

```
# fscdsadm -o none mount_point
```

Displaying the list of target operating systems

To display a list of all target operating systems

- Type the following command:

```
# fscdsadm -o list mount_point
```

Enforcing the established CDS limits on a file system

By default, CDS ignores the limits that are implied by the operating system targets that are listed in the `target_list` file.

To enforce the established CDS limits on a file system

- Type the following command:

```
# fscdsadm -l enforce mount_point
```

Ignoring the established CDS limits on a file system

By default, CDS ignores the limits that are implied by the operating system targets that are listed in the `target_list` file.

To ignore the established CDS limits on a file system

- Type the following command:

```
# fscdsadm -l ignore mount_point
```

Validating the operating system targets for a file system

To validate the operating system targets for a file system

- Type the following command:

```
# fscdsadm -v mount_point
```

Displaying the CDS status of a file system

The CDS status that is maintained for a file system includes the following information:

- the `target_list` file
- the limits implied by the `target_list` file
- whether the limits are being enforced or ignored
- whether all files are within the CDS limits for all operating system targets that are listed in the `target_list` file

To display the CDS status of a file system

- Type the following command:

```
# fscdsadm -s mount_point
```

Migrating a file system one time

This example describes a one-time migration of data between two operating systems. Some of the following steps require a backup of the file system to be created. To simplify the process, you can create one backup before performing any of the steps instead of creating multiple backups as you go.

To perform a one-time migration

- 1 If the underlying Volume Manager storage is not contained in a CDS disk group, it must first be upgraded to be a CDS disk group, and all other physical considerations related to migrating the storage physically between systems must first be addressed.

See [“Converting a non-CDS disk group to a CDS disk group”](#) on page 228.

- 2 If the file system is using a disk layout version prior to 7, upgrade the file system to Version 7.

See the *Veritas Storage Foundation Installation Guide*.

- 3 Use the following command to ensure that there are no files in the file system that will be inaccessible after migrating the data due to large file size or to differences in user or group ID between platforms:

```
# fscdsadm -v -t target mount_point
```

If such files exist, move the files to another file system or reduce the size of the files.

- 4 Unmount the file system:

```
# umount mount_point
```

- 5 Use the `fscdsconv` command to convert the file system to the opposite endian.

See [“Converting the byte order of a file system”](#) on page 253.

- 6 Make the physical storage and Volume Manager logical storage accessible on the Linux system by exporting the disk group from the source system and importing the disk group on the target system after resolving any other physical storage attachment issues.

See [“Disk tasks”](#) on page 233.

- 7 Mount the file system on the target system.

Migrating a file system on an ongoing basis

This example describes how to migrate a file system between platforms on an ongoing basis. Some of the following steps require a backup of the file system to be created. To simplify the process, you can create one backup before performing any of the steps instead of creating multiple backups as you go.

To perform an ongoing migration

- 1 Use the following command to ensure that there are no files in the file system that will be inaccessible after migrating the data due to large file size or to differences in user or group ID between platforms:

```
# fscdsadm -v -t target mount_point
```

If such files exist, move the files to another file system or reduce the size of the files.

- 2 Add the platform on the `target_list` file:

- If migrating a file system between the Solaris and Linux, add `SunOS` and `Linux` to the `target_list` file:

```
# fscdsadm -o add -t os_name=SunOS /mnt1
# fscdsadm -o add -t os_name=Linux /mnt1
```

- If migrating a file system between the HP-UX and Linux, add `HP-UX` and `Linux` to the `target_list` file:

```
# fscdsadm -o add -t os_name=HP-UX /mnt1
# fscdsadm -o add -t os_name=Linux /mnt1
```

- 3 Enforce the limits:

```
# fscdsadm -l enforce mount_point
```

This is the last of the preparation steps. When the file system is to be migrated, it must be unmounted, and then the storage moved and mounted on the target system.

- 4 Unmount the file system:

```
# umount mount_point
```

- 5 Make the file system suitable for use on the specified target.

See [“Converting the byte order of a file system”](#) on page 253.

- 6 Make the physical storage and Volume Manager logical storage accessible on the target system by exporting the disk group from the source system and importing the disk group on the target system after resolving any other physical storage attachment issues.

See [“Disk tasks”](#) on page 233.

- 7 Mount the file system on the target system.

Stopping ongoing migration

To stop performing ongoing migration

- ◆ Type the following commands:

```
# fscdsadm -l ignore mount_point
# fscdsadm -o none mount_point
```

The file system is left on the current system.

When to convert a file system

When moving a file system between two systems, it is essential to run the `fscdsconv` command to perform all of the file system migration tasks. The `fscdsconv` command validates the file system to ensure that it does not exceed any of the established CDS limits on the target, and converts the byte order of the file system if the byte order of the target is opposite to that of the current system.

Warning: Prior to VxFS 4.0 and disk layout Version 6, VxFS did not officially support moving file systems between different platforms, although in many cases a user may have successfully done so. Do not move file systems between platforms when using versions of VxFS prior to Version 4, or when using disk layouts earlier than Version 6. Instead, upgrade to VxFS 4.0 or higher, and disk layout Version 6 or later. Failure to upgrade before performing cross-platform movement can result in data loss or data corruption.

Note: If you replicate data from a little-endian to a big-endian system (or vice versa), you must convert the application after the replication completes.

Converting the byte order of a file system

Use the `fscdsconv` command to migrate a file system from one system to another.

To convert the byte order of a file system

- 1 Determine the disk layout version of the file system that you will migrate:

```
# fstyp -v /dev/vx/rdisk/diskgroup/volume | grep version  
  
magic a501fcf5 version 9 ctime Thu Jun 1 16:16:53 2006
```

Only file systems with disk layout Version 7 or later can be converted. If the file system has an earlier disk layout version, convert the file system to disk layout Version 7 or later before proceeding.

See the `vxfsconvert(1M)` manual page.

See the `vxupgrade(1M)` manual page.

- 2 Perform a full file system back up. Failure to do so could result in data loss or data corruption under some failure scenarios in which restoring from the backup is required.
- 3 Designate a file system with free space where `fscdsconv` may create a file that will contain recovery information for usage in the event of a failed conversion.

Depending on the nature of the file system to be converted, for example if it is mirrored, you may wish to designate the recovery file to reside in a file system with the same level of failure tolerance. Having the same level of failure tolerance reduces the number of failure scenarios that would require restoration from the backup.

- 4 Unmount the file system to be converted:

```
# umount mount_point
```

- 5 Use the `fscdsconv` command to export the file system to the required target:

```
# fscdsconv -f recovery_file -t target_OS -e special_device
```

target_OS specifies the operating system to which you are migrating the file system.

See [“Specifying the migration target”](#) on page 246.

recovery_file is the name of the recovery file to be created by the `fscdsconv` command.

special_device is the raw device or volume that contains the file system to be converted.

Include the file system that you chose in 3 when designating the recovery file.

For example, if the file system chosen to contain the recovery file is mounted on `/data/fs3`, the recovery file could be specified as `/data/fs3/jan04recovery`. If there is not enough disk space on the chosen file system for the recovery file to be created, the conversion aborts and the file system to be converted is left intact.

The recovery file is not only used for recovery purposes after a failure, but is also used to perform the conversion. The directory that will contain the recovery file should not allow non-system administrator users to remove or replace the file, as this could lead to data loss or security breaches. The file should be located in a directory that is not subject to system or local scripts will remove the file after a system reboot, such as that which occurs with the `/tmp` and `/var/tmp` directories on the Solaris operating system.

The recovery file is almost always a sparse file. The disk utilization of this file can best be determined by using the following command:

```
# du -sk filename
```

The recovery file is used only when the byte order of the file system must be converted to suit the specified migration target.

- 6 If you are converting multiple file systems at the same time, which requires the use of one recovery file per file system, record the names of the recovery files and their corresponding file systems being converted in the event that recovery from failures is required at a later time.

- 7 Based on the information provided regarding the migration target, `fscdsconv` constructs and displays the complete migration target and prompts the use to verify all details of the target. If the migration target must be changed, enter `n` to exit `fscdsconv` without modifying the file system. At this point in the process, `fscdsconv` has not used the specified recovery file.
- 8 If the byte order of the file system must be converted to migrate the file system to the specified target, `fscdsconv` prompts you to confirm the migration. Enter `y` to convert the byte order of the file system. If the byte order does not need to be converted, a message displays indicating this fact.
- 9 The `fscdsconv` command indicates if any files are violating the maximum file size, maximum UID, or maximum GID limits on the specified target and prompts you if it should continue. If you must take corrective action to ensure that no files violate the limits on the migration target, enter `n` to exit `fscdsconv`. At this point in the process, `fscdsconv` has not used the specified recovery file.

If the migration converted the byte order of the file system, `fscdsconv` created a recovery file. The recovery file is not removed after the migration completes, and can be used to restore the file system to its original state if required at a later time.

- 10 If a failure occurs during the conversion, the failure could be one of the following cases:

- System failure.
- `fscdsconv` failure due to program defect or abnormal termination resulting from user actions.

In such cases, the file system being converted is no longer in a state in which it can be mounted or accessed by normal means through other VxFS utilities. To recover the file system, invoke the `fscdsconv` command with the recovery flag, `-r`:

```
# fscdsconv -r -f recovery_file special_device
```


When the `-r` flag is specified, `fscdsconv` expects the recovery file to exist and that the file system being converted is the same file system specified in this second invocation of `fscdsconv`.

- 11 After invoking `fscdsconv` with the `-r` flag, the conversion process will restart and complete, given no subsequent failures.

In the event of another failure, repeat 10.

Under some circumstances, you will be required to restore the file system from the backup, such as if the disk fails that contains the recovery file. Failure to have created a backup would then result in total data loss in the file system. I/O errors on the device that holds the file system would also require a backup to be restored after the physical device problems are addressed. There may be other causes of failure that would require the use of the backup.

Importing and mounting a file system from another system

The `fscdsconv` command can be used to import and mount a file system that was previously used on another system.

To import and mount a file system from another system

- ◆ Convert the file system:

```
# fscdsconv -f recovery_file -i special_device
```

If the byte order of the file system needs to be converted

Enter `y` to convert the byte order of the file system when prompted by `fscdsconv`. If the migration converted the byte order of the file system, `fscdsconv` creates a recovery file that persists after the migration completes. If required, you can use this file to restore the file system to its original state at a later time.

If the byte order of the file system does not need to be converted

A message displays that the byte order of the file system does not need to be converted.

Alignment value and block size

On the AIX, Linux and Solaris operating systems, an alignment value of 1 is equivalent to a block size of 512 bytes. On the HP-UX operating system, it is equivalent to a block size of 1024 bytes.

The block size on HP-UX is different from that on other supported platforms. Output from commands such as `vxdisk` and `vxprint` looks different on HP-UX for the same disk group if the `-b` option is not specified.

Disk group alignment and encapsulated disks

On the Solaris OS, all native file systems are cylinder aligned. Encapsulating such a disk results in subdisks that are also cylinder aligned. Such alignment will normally not be 8K aligned, but it will be 1K aligned. For the encapsulation process, there is no flexibility as to where on the disk the subdisks must be since the data location is predefined. If an alignment conflict occurs, user intervention is required. If the disk group alignment is 8K this operation will probably fail because this would require the cylinder to be an even number of 8K blocks in size.

Disk group import between Linux and non-Linux machines

A disk group created on a non-Linux system typically has device numbers greater than 1000. When that disk group is imported on a Linux machine with a pre-2.6 kernel, the devices are reassigned minor numbers less than 256.

If a disk group on a Linux system is imported to a non-Linux system, all device numbers will be less than 256. If those devices are available (that is, they do not conflict with devices in an imported boot disk group) they will be used. Otherwise new device numbers will be reassigned.

A single disk group could contain a number of devices exceeding the maximum number of devices for a given platform. In this case, the disk group cannot be imported on that platform because import would exhaust available minor devices for the VxVM driver. Although the case of minor number exhaustion is possible in a homogeneous environment, it will be more pronounced between platforms with different values for the maximum number of devices supported, such as Linux with a pre-2.6 kernel. This difference will render platforms with low maximum devices supported values less useful as heterogeneous disk group failover or recovery candidates.

Note: Using the disk group `maxdev` attribute may reduce the likelihood that a CDS disk group import on Linux with a pre-2.6 kernel will exceed the maximum number of devices.

Migrating a snapshot volume

This example demonstrates how to migrate a snapshot volume containing a VxFS file system from a Solaris SPARC system (big endian) to a Linux system (little endian) or HP-UX system (big endian) to a Linux system (little endian).

To migrate a snapshot volume

- 1 Create the instant snapshot volume, `snapvol`, from an existing plex in the volume, `vol`, in the CDS disk group, `datadg`:

```
# vxsnap -g datadg make source=vol/newvol=snapvol/nmirror=1
```

- 2 Quiesce any applications that are accessing the volume. For example, suspend updates to the volume that contains the database tables. The database may have a hot backup mode that allows you to do this by temporarily suspending writes to its tables.

- 3 Refresh the plexes of the snapshot volume using the following command:

```
# vxsnap -g datadg refresh snapvol source=yes syncing=yes
```

- 4 The applications can now be unquiesced.

If you temporarily suspended updates to the volume by a database in 2, release all the tables from hot backup mode.

- 5 Use the `vxsnap syncwait` command to wait for the synchronization to complete:

```
# vxsnap -g datadg syncwait snapvol
```

- 6 Check the integrity of the file system, and then mount it on a suitable mount point:

```
# fsck -F vxfs /dev/vx/rdisk/datadg/snapvol  
# mount -F vxfs /dev/vx/dsk/datadg/snapvol /mnt
```

- 7 Confirm whether the file system can be converted to the target operating system:

```
# fscdstask validate Linux /mnt
```

- 8 Unmount the snapshot:

```
# umount /mnt
```

- 9 Convert the file system to the opposite endian:

```
# fscdsconv -e -f recoveryfile -t target_specifiers special
```

For example:

```
# fscdsconv -e -f /tmp/fs_recov/recov.file -t Linux \  
/dev/vx/dsk/datadg/snapvol
```

This step is only required if the source and target systems have the opposite endian configuration.

- 10 Split the snapshot volume into a new disk group, `migdg`, and deport that disk group:

```
# vxdg split datadg migdg snapvol  
# vxdg deport migdg
```

- 11 Import the disk group, `migdg`, on the Linux system:

```
# vxdg import migdg
```

It may be necessary to reboot the Linux system so that it can detect the disks.

- 12 Use the following commands to recover and restart the snapshot volume:

```
# vxrecover -g migdg -m snapvol
```

- 13 Check the integrity of the file system, and then mount it on a suitable mount point:

```
# fsck -t vxfs /dev/vx/dsk/migdg/snapvol  
# mount -t vxfs /dev/vx/dsk/migdg/snapvol /mnt
```

Index

Symbols

/etc/default/vxassist defaults file 230
/etc/default/vxcdsconvert defaults file 231
/etc/default/vxdg defaults file 231
/etc/default/vxdisk defaults file 231
/etc/default/vxencap defaults file 232
/etc/vx/darecs file 225

A

absolute pathnames
 use with symbolic links 38
access type 218
accessing
 Quick I/O files with symbolic links 38
activation
 default 242
AIX coexistence label 219
alignment 221
 changing 235
allocating file space 34
analyzing I/O statistics 52
ARCHIVELOG mode 111
asynchronous I/O 30
attribute
 CDS 241
attributes
 init 86, 102
 ndcomirror 86, 102
 nmirror 86, 102
 regionsize 89, 127
auto disk type 218

B

backup
 of cluster file systems 100
 of online databases 83
backups
 creating for volumes 73
benefits of Concurrent I/O 58
block size 216

blockdev --rereadpt 245

C

cache advisory
 checking setting for 56
cache hit ratio
 calculating 52
Cached Quick I/O
 customizing 53
 determining files to use 51
 disabling individual files 54
 enabling individual files 54
 making settings persistent 54
 prerequisite for enabling 47
calculating cache hit ratio 52
CDS
 attribute 241
 changing setting 237
 creating DGs 225
 creating disks 224
 disk group alignment 216
 disk group device quotas 220
 disks 216
CDS disk groups
 alignment 242
 joining 237
 moving 236
 setting alignment 235
CDS disks
 creating 224
changing CDS setting 237
changing default CDS setting 237
changing disk format 233
changing file sizes 33
chgrp command 37
chmod command
 commands
 chmod 46–47
chown command 37
 commands
 chown 46–47

- cluster file systems
 - off-host backup of 100
- co-existence label 219
- collecting I/O statistics 51
- commands
 - chgrp 37
 - chown 37
 - fsadm command 42
 - grep 49
 - ls 40
 - mount 31
 - qoadmin 53
 - qiomkfile 42
 - qiostat 51
 - setext 37
 - vxtunefs 55
- concepts 213
- Concurrent I/O
 - benefits 58
 - disabling 59
 - enabling 58
- converting non-CDS disks to CDS 226
- converting non-CDS disks to CDS disks 226
- convertname
 - displaying device name conversion 187
- CREADs 52
- creating
 - Quick I/O files 35
 - symbolic links to access Quick I/O files 33
- creating a DRL log 239
- creating CDS disk groups 225
- creating CDS disks 224
- creating DRL logs 239
- creating non-CDS disk groups 237
- creating pre-version 110 disk groups 237
- cross-platform data sharing
 - recovery file 254
- current-rev disk groups 221
- customizing Cached Quick I/O 53

D

- data on Secondary
 - using for off-host processing 141
- database performance
 - using Quick I/O 30
- databases
 - incomplete media recovery 112
 - integrity of data in 74
 - online backup of 83

- databases (*continued*)
 - rolling back 112
 - using Storage Checkpoints 110
- decision support
 - using point-in-time copy solutions 122
- default activation 242
- default CDS setting
 - changing 237
- defaults files 226, 230
- determining
 - if Quick I/O installed and enabled 41
- device quotas 220, 242
 - displaying 242
 - setting 238
- direct I/O 30
- direct-write
 - copy-behind 46
- disabling Cached Quick I/O for a file 54
- disabling Concurrent I/O 59
- disabling qio_cache_enable flag 48
- disabling Quick I/O 43
- disk
 - access type 218
 - change format 233
 - labels 233
 - LVM 233
 - replacing 238
- disk access 216
- disk format 216
- disk group alignment 235
 - displaying 242
- disk groups 219
 - alignment 221
 - creating 237
 - joining 237
 - non-CDS 221
 - upgrading 237
- disk quotas
 - setting 238
- disk types 217
- disks
 - effects of formatting or partitioning 244
 - displaying device quotas 242
 - displaying disk group alignment 242
 - displaying DRL log size 242
 - displaying DRL map size 242
 - displaying log map values 242
 - displaying log size 242
 - displaying v_logmap values 242

- displaying volume log map values 242
- doconvert
 - beginning SDS to VxVM conversion 189
- double buffering 30
- DRL log size
 - displaying 242
 - setting 238
- DRL logs
 - creating 239
- DRL map length 240
- DRL map size
 - displaying 242
 - setting 238
- DSS. *See* Decision Support

E

- enabling
 - Quick I/O 31
- enabling Cached Quick I/O for a file 54
- enabling Concurrent I/O 58
- enabling qio_cache_enable flag 47
- encapsulation 233
- extending a file 33
- extending Quick I/O files 42

F

- FastResync
 - Persistent 73
- file
 - space allocation 34
- file system locking 30
- file systems
 - growing to accommodate Quick I/O files 42
 - mounting for shared access 102
- FileSnaps
 - about
 - data mining, reporting, and testing 148
 - virtual desktops 147
 - write intensive applications 148
 - best practices 147
- FlashSnap 72
- fsadm command 42
- fscdsadm 248
- fscdsconv 253

G

- grep command 49

- growing
 - file systems 42
 - Quick I/O files 42

H

- HP-UX co-existence label 219

I

- I/O
 - asynchronous 30
 - direct 30
 - kernel asynchronous 30
- I/O block size 216
- ID block 219
- improving
 - database performance 30
- init attribute 86, 102
- instant snapshots
 - reattaching 110, 141
- intent logging 74

J

- joining CDS disk groups 237
- joining disk groups 237

K

- kernel asynchronous I/O 30
- kernel write locks 30

L

- length listing 243
- licensing 230
- listing disk groups 243
- listing disks 243
- listing offset and length information 237
- log size
 - displaying 242
 - setting 238
- ls command 40
- LVM disks 233

M

- minor device numbers 220
- mount command 31
- mounting
 - shared-access file systems 102
- moving CDS disk groups 236

moving disk group objects 236

N

ndcomirror attribute 86, 102

nmirror attribute 86, 102

O

objects

moving 236

off-host backup of cluster file systems

using point-in-time copy solutions 100

offset

listing 243

offset information 243

OLTP. *See* online transaction processing

online database backup

using point-in-time copy solutions 83

online transaction processing 32

operating system data 216

P

persistence

for Cached Quick I/O settings 54

Persistent FastResync 73

platform block 219

point-in-time copy solutions

applications 71

for decision support 122

for off-host cluster file system backup 100

for online database backup 83

PREADs 52

preallocating space for Quick I/O files 32, 37

preconvert

setting up SDS for conversion 186

private region 218

public region 218

Q

qio_cache_enable flag

disabling 48

enabling 47

qioadmin command 53

qiomkfile command 42

options for creating files

symbolic links 33

qiostat

output of 52

qiostat command 51

Quick I/O

accessing regular VxFS files as 38

determining status 41

disabling 43

enabling 31

extending files 42

improving database performance with 30

performance improvements 45

preallocating space for files 32, 37

showing resolution to a raw device 41

using relative and absolute pathnames 38

R

read-ahead algorithm

for Cached Quick I/O 46

recovery

using Storage Checkpoints 110

recovery file, cross-platform data sharing 254

regionsize attribute 89, 127

relative pathnames

use with symbolic links 38

replacing disks 238

resetlogs option 113

resizing a file 33

restoring CDS disk labels 233

restoring disk labels 233

S

SDS

conversion overview 180

converting to VxVM 189

mapping to VxVM objects 177

planning for conversion 182

post-conversion tasks 190

preparing for conversion 185

root disk conversion 191

setting up for conversion 186

Secondary

using data 141

setext command 37

setting CDS disk group alignment 235

setting device quotas 238

setting disk quotas 238

setting DRL log size 238

setting DRL map length 240

setting DRL map size 238

setting log size 238

- settings
 - making Cached Quick I/O persistent 48
 - shared access
 - mounting file systems for 102
 - showconvert
 - displaying SDS conversion plan 187
 - showing
 - Quick I/O file resolved to raw device 41
 - snapshots
 - reattaching instant 110, 141
 - Solstice DiskSuite
 - migrating from 176
 - Storage Checkpoints 74
 - creating 111
 - database recovery 110
 - Storage Rollback
 - implementing using Storage Checkpoints 110
 - using VxDBA 112
 - symbolic links
 - advantages and disadvantages 38
 - to access Quick I/O files 38
 - system buffer cache 45
- T**
- tunefstab file
 - adding tuning parameters to 48
 - tuning parameters
 - adding to tunefstab file 48
- U**
- upgrading disk groups 237
 - upgrading pre-version 110 disk groups 237
 - utilities. *See* commands
- V**
- v_logmap
 - displaying 242
 - verifying caching using vxfstune parameters 49
 - verifying vxtunefs system parameters 49
 - volumes
 - backing up 73
 - vradm utility
 - ibc
 - using off-host processing 142
 - vxcdsconvert 226
 - vxctl enable 244
 - vx dg init 225
 - vx dg split 236
 - vx disk scandisks 244
 - vx diskadm 224, 226
 - vx disksetup 224
 - vx snap
 - reattaching instant snapshots 110, 141
 - vxtunefs command 55
 - commands
 - vxtunefs 49
 - VxVM
 - devices 215
 - migrating from SDS 176
 - vxvol 240